



Technical Info

Friction loss of water in feet of head per 100 foot length of pipe.

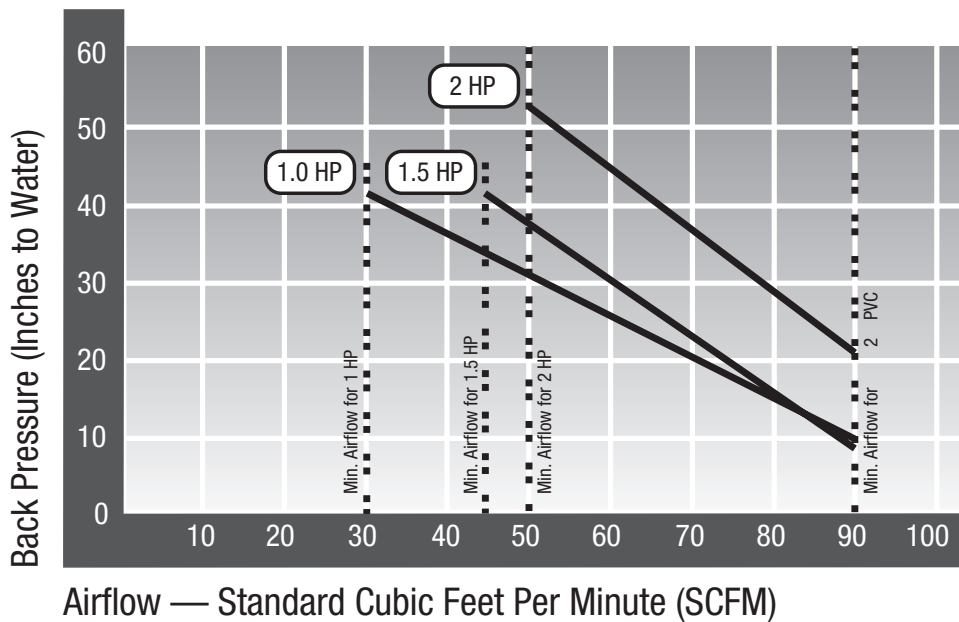
1. Calculate water depth in inches:

- A. Actual water depth in injector = _____
 - B. Add 1/2" of water per 90° elbow = _____
 - C. Add 1/8" of water per 45° elbow = _____
 - D. Add 1" of water per 10 feet of 2" pipe = _____
 - E. Add 4" of water per 1/2" spring check valve = _____
- TOTAL INCHES OF WATER** = _____

2. Find the airflow or SCFM provided by your blower:

- A. On the **Blower Performance Chart**, find the number that corresponds to the **total inches of water** needed.
- B. Read across the chart until you **intersect the horsepower (HP)**, then go down for SCFM.
- C. **Take total SCFM and divide by 10** to get corresponding hole sizes.

BLOWER PERFORMANCE CHART



3. Calculate the number of holes by using the Air Hole Sizing Chart:

Air Hole Sizing Chart	
Air Hole Size	Number of Holes Needed per 10 SCFM
1/8"	24
5/32"	15
3/16"	11
1/4"	6
5/16"	4
Jet	1



Hole Saw Sizes

Description	Size	Description	Size
Storm Jets		SGMS Components	
Storm Jets - Adjustable Cluster Storm	1 1/2"	SGMS - 5/8" & 3/4" Pin Lights	0.386"
Storm Jets - Mini Storm Flat Gasket	2 3/16"	SGMS - 1" Pin Lights, Micro Jets, Micro Injectors	43/64"
Storm Jets - Mini Storm Grommet Gasket	2 1/4"	SGMS - Ozone Jet, Ozone Return	1 3/8"
Storm Jets - Poly Storm Flat Gasket	2 5/8"	SGMS - Cluster Storm	1.650"
Storm Jets - Poly Storm Grommet Gasket	2 11/16"	SGMS - Mini Storm	2 11/32"
Storm Jets - Power Storm Flat Gasket	3 3/4"	SGMS - Poly Storm, 3.5" Light	2 27/32"
Storm Jets - Power Storm Grommet Gasket	3 7/8"	SGMS - Power Storm, 5" Spa Light	3 31/32"
Storm Jets - Mega Storm W/ Flat Gasket	4 3/4"	SGMS - Air Control	2 7/16"
Jets		SGMS - 1" Valve	2 17/32"
Jets - Ozone/ Cluster	1 1/16"	SGMS - 2" Valve	3 3/4"
Jets - Poly	2 5/8"	SGMS - 2 7/16" Mini Spa Light	1 63/64"
Jets - Turbo	3 1/4"	Load Washer	
Jets - Old Faithful	4 3/4"	Load Washer - Hi-Flo Suction, 1 1/2" Cartridge Mount Fittings	2 1/2"
Jets - Power Stream	5"	Load Washer - 2" Cartridge Mount Fittings	3"
Jets - Master Massage	5 3/4"	Load Washer - All 5" Suction (Both 2" and 2 1/2")	3 7/16"
Jets - Rip Current	5 3/4"	Load Washer - Power Stream, 10" Ultra Drain	5"
Suction		Load Washer - Master Message, Rip Current Jets	6"
Suction - Lo-Pro and Hi-Flo/Ultra High Flo Flat Gasket	2 3/8"	Load Washer - Dyna-Flow, Teleweir Skim filters, Pressure Filters	7"
Suction - Lo-Pro and Hi-Flo/Ultra High Flo Grommet Gasket	2 1/2"	Skimmers/ Filters	
Suction - Super Hi-Flo/Designer Pro/Ultra High Flo Flat Gasket	3 1/4"	Skimmers/Filters - 5 1/2" Top Load Filter	4 1/8"
Suction - Super Hi-Flo/Designer Pro/Ultra High Flo Grommet Gasket	3 7/16"	Skimmers/Filters - Skim Filter Dyna-Flo	6 7/8"
Air Components		Skimmers/Filters - Skim Filter Dyna-Flo Grommet Gasket	7"
Air Components - Air Bleed	1 5/16"	Skimmers/Filters - Skimmers Strip Flat Gasket	2 3/8"
Air Components - Air Control Lo-Pro	1 5/8"	Skimmers/Filters - Skimmers Strip Grommet Gasket	2 1/2"
Air Components - Air Injector Lo-Pro	3/4"	Skimmers/Filters - Filters Top Load	6 7/8"
Air Components - Air Injector Multi-Body	5/8"	Skimmers/Filters - Filters Top Load Grommet Gasket	7"
Air Components - Air Injector Ozone	5/8"	Skimmers/Filters - 8" Skim Filters	6 7/8"
Air Components - Air Injector Top Flow	1 3/16"	Skimmers/Filters - 10" Skim Filters	8 1/2"
Valves		Specialty Items	
Valves - Diverter 1" Mini	2 1/16"	Specialty Items - Auto Vent	4"
Valves - Diverter 2" Top Access	3 1/4"	Specialty Items - Fittings Thru Wall	1 5/16"
Valves - Spa Drain & Fill	1 5/8"	Specialty Items - Return Fitting	2 5/16"
Lights		Specialty Items - Termosensor	1"
Lights - 1/2"	3/8"	Specialty Items - Thermowell Mini	1 3/16"
Lights - 1"	5/8"	Specialty Items - Waterway Cascade	(2) x 7/8"
Lights - 2 1/8"	1 5/8"		
Lights - 3"	2 5/8"		
Lights - 5" Jumbo	3 3/4"		
Lights - 7" XL Jumbo	5 3/4"		
Lights - Cup Holder	2 5/8"		

Note: Always test hole saw sizes on scrap material before cutting on production parts.



1. Determine required turnover rate for spa in gallons per minute (GPM).

$$\frac{\text{Total Gallons}}{\text{Desired Turnover Rate (30 min. spa)}} = \text{GPM}$$

2. Determine GPM and PSI needed for maximum jet performance (use Jet Performance Flow Curves from page 114).

$$\frac{\text{Target Flow (GPM)}}{\text{Target Pressure (PSI)}}$$

3. A. Figure resistance head of system:

From Friction Flow Chart on page 264 and Friction Loss in Fittings on page 265, convert fittings and pipe lengths into feet of head.

EXAMPLE:

A. (4) 2" 90° elbows = 4 x 8.6 = 34.4 feet of 2" pipe

B. 50 feet of 2" pipe = 50 feet

A + B: 34.4 feet + 50 feet = 84.4 feet

Looking at the Friction Flow Chart, 2" pipe at 10 feet per second gives us 100 GPM at 14.4 feet of head. This is figured in 100 foot length of pipe. We multiply .844 times 14.4 = 12.15 feet of head. Or to convert to PSI x .433 = 5.26 PSI loss.

$$\text{A } \frac{\text{Quantity}}{\text{Quantity}} \times \frac{\text{Fitting Type (Friction Loss)}}{\text{Fitting Type (Friction Loss)}} = \frac{\text{Straight Length of Pipe}}{\text{Straight Length of Pipe}}$$

$$\text{B } \frac{\text{Quantity}}{\text{Quantity}} \times \frac{\text{Pipe}}{\text{Pipe}} = \frac{\text{Straight Length of Pipe}}{\text{Straight Length of Pipe}}$$

$$\frac{\text{A}}{\text{A}} + \frac{\text{B}}{\text{B}} = \frac{\text{Total Pipe Length}}{\text{Total Pipe Length}}$$

$$\frac{\text{Pipe Length}}{\text{Pipe Length}} \times \frac{\text{Head of Loss for 100 ft. Length}}{\text{Head of Loss for 100 ft. Length}} = \frac{\text{Feet of Head}}{\text{Feet of Head}}$$

B. Figure Actual Head Loss of Components: (Refer to Head Loss Chart on Page 265)

EXAMPLE:

1) One 1 1/2" main drain at 50 GPM has 2 feet of head.

2) One 1 1/2" skimmer 50 GPM has 4 feet of head.

Total head loss of components is 6 feet of head.

Quantity	GPM	Head Loss
_____	_____	_____
_____	_____	_____

Total Head Loss of Components: _____

C. Add Head Loss from B and C for Total Resistance Head:

EXAMPLE:

12.15 feet of head (from system resistance) + 6 feet of head (from component head loss) = 18.15 feet of head

$$\frac{\text{Resistance of Head Fittings, etc.}}{\text{Resistance of Head Fittings, etc.}} + \frac{\text{Component Head Loss}}{\text{Component Head Loss}} = \frac{\text{TDH}}{\text{TDH}}$$

D. Total of B and C is TDH (total dynamic head) of system. Convert total head into PSI by multiplying by .433:

EXAMPLE:

18.15 feet of head x .433 = 7.86 PSI

(This is the amount of pressure lost in the system)

$$\frac{\text{TDH}}{\text{TDH}} \times \frac{.433}{.433} = \frac{\text{PSI}}{\text{PSI}}$$

E. Add Target PSI from Jet Worksheet (or Line #2) to Total Pressure Loss (PSI) Line D to find Total Pressure Required and Total Dynamic Head of System:

EXAMPLE:

14 PSI (Required for jets) + 7.86 PSI (Required for system) = 21.86 PSI

$$\frac{\text{Jets PSI Required}}{\text{Jets PSI Required}} + \frac{\text{System PSI Required}}{\text{System PSI Required}} = \frac{\text{Total PSI Required}}{\text{Total PSI Required}}$$

F. Match appropriate pump by looking at pump curves.

EXAMPLE:

At 22 PSI (or 50 feet of head) at 100 GPM, you can use The Executive 1 HP Pump or a 2 HP Hi-Flo Side Discharge Pump

Friction loss of water in feet of head per 100 foot length of pipe.

U.S. Gal. per Min.	3/4 PIPE			1 PIPE			1 1/4 PIPE			1 1/2 PIPE			2 PIPE			2 1/2 PIPE			3 PIPE		
	Vel. Ft. per Sec.	Loss in Feet	Loss in PSI	Vel. Ft. per Sec.	Loss in Feet	Loss in PSI	Vel. Ft. per Sec.	Loss in Feet	Loss in PSI	Vel. Ft. per Sec.	Loss in Feet	Loss in PSI	Vel. Ft. per Sec.	Loss in Feet	Loss in PSI	Vel. Ft. per Sec.	Loss in Feet	Loss in PSI	Vel. Ft. per Sec.	Loss in Feet	Loss in PSI
1	.60	.25	.11	.37	.07	.03
2	1.20	.90	.39	.74	.28	.12	.43	.07	.03
3	1.80	1.92	.83	1.11	.60	.26	.64	.16	.07	.47	.07	.03
4	2.41	3.28	1.42	1.48	1.02	.44	.86	.25	.11	.63	.12	.05
5	3.01	5.8	2.51	1.86	1.52	.65	1.07	.39	.17	.79	.18	.08
6	3.61	7.0	3.0	2.33	2.15	.93	1.29	.55	.24	.95	.25	.11	.57	.07	.03
8	4.81	11.8	5.1	2.97	3.6	1.56	1.72	.97	.42	1.25	.46	.2	.76	.14	.06	.54	.05	.02
10	6.02	17.9	7.75	3.71	5.5	2.4	2.15	1.46	.63	1.58	.69	.3	.96	.21	.09	.67	.09	.04
15	9.02	37.8	16.37	5.57	11.7	5.07	3.22	3.07	1.33	2.36	1.45	.63	1.43	.44	.19	1.01	.18	.08	.65	.07	.03
20	7.42	19.9	8.62	4.29	4.2	1.82	3.15	2.47	1.07	1.91	.74	.32	1.34	.30	.13	.87	.12	.05
25	9.28	30.0	13.0	5.36	7.9	3.42	3.94	3.8	1.6	2.39	1.11	.05	1.67	.46	.2	1.08	.16	.07
30	11.14	42.0	18.19	6.43	11.1	4.8	4.73	5.2	2.3	2.87	1.55	.67	2.01	.65	.28	1.30	.23	.1
35	7.51	14.7	6.37	5.52	7.0	3.03	3.35	2.06	.89	2.35	.88	.38	1.52	.30	.13
40	8.58	18.9	8.2	6.30	8.9	3.9	3.82	2.63	1.14	2.64	1.11	.48	1.73	.39	.17
45	9.65	23.5	10.18	7.09	11.1	4.8	4.30	3.28	1.4	3.01	1.39	.6	1.95	.48	.21
50	10.72	28.5	12.3	7.88	13.5	5.8	4.78	4.0	1.7	3.35	1.69	.73	2.17	.58	.25
60	9.46	18.9	8.18	5.74	5.6	2.4	4.02	2.36	1.02	2.60	.81	.35
70	11.03	25.1	10.9	6.69	7.4	3.2	4.69	3.14	1.36	3.04	1.09	.47
80	7.65	9.5	4.1	5.35	4.0	1.73	3.47	1.39	.6
90	8.60	11.8	5.1	6.03	5.0	2.2	3.91	1.73	.75
100	9.56	14.4	6.3	6.70	6.1	2.64	4.34	2.10	1.9
120	11.95	21.8	9.4	8.38	9.2	4.0	5.42	3.19	1.38
150	10.05	12.8	5.5	6.51	4.5	1.95
175	7.59	5.9	2.55
200	8.68	7.9	3.4
225	9.76	9.4	4.07
250	10.85	11.5	4.99
275
300
325

AWG Wire Size												
Amps	14		12		10		8		6		4	
	115 Volts	230 Volts	115 Volts	230 Volts	115 Volts	230 Volts	115 Volts	230 Volts	115 Volts	230 Volts	115 Volts	230 Volts
2	595	1190	946	1891	1479							
3	397	794	630	1261	986							
4	298	595	470	946	740	1479	1161		1808			
5	238	476	378	756	592	1184	926	1858	1447			
6	198	397	315	630	493	986	774	1548	1206	2411	1842	
7	170	340	270	540	423	845	663	1327	1033	2067	1579	
8	149	293	236	473	370	740	581	1161	904	1808	1381	2763
9	132	265	210	420	329	658	516	1032	804	1607	1228	2456
10	119	238	189	376	296	592	464	929	723	1447	1105	2210
12	99	198	158	315	247	493	387	774	603	1206	921	1842
14			135	270	211	423	332	663	517	1033	789	1579
16			118	236	185	370	290	581	452	904	691	1381
18					164	329	258	516	402	804	614	1228
20					148	296	232	464	362	723	553	1105
22					134	269	211	422		658		1005
24					123	247	194	387		603		921
26								357		556		850
28								332		517		789
30								310		482		737
35								265		413		632
40										362		553
45										321		491
50										239		442



Friction Loss in Fittings

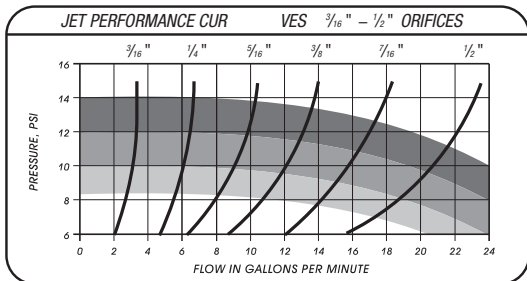
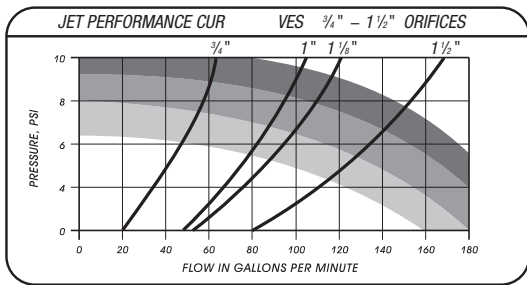
SIZE FITTING	½"	¾"	1"	1 ¼"	1 ½"	2"	2 ½"	3"	4"
Gate Valve (Full Open)	0.6	0.7	0.9	1.2	1.3	1.6	1.7	2.0	2.7
Elbow - 90°	3.6	4.5	5.3	6.7	7.5	8.6	9.3	11.1	13.1
Elbow - 45°	0.7	0.9	1.4	1.8	2.2	2.8	3.2	4.1	5.6
Tee (Straight Thru)	1.8	2.5	3.3	4.7	5.7	7.8	9.3	12.1	17.1
Tee (Thru Side)	4.3	5.4	6.7	8.8	10.0	12.1	13.0	17.1	21.2
Swing Check Valve	8.1	8.9	11.2	13.1	15.2	19.1	22.0	27.1	38.2

Head Loss Charts

Component	GPM	Head Loss (ft.)	Component	GPM	Head Loss (ft.)	Cartridge Filters	GPM (.75)	Head Loss (ft.)
Main Drain 1 ½" Outlet	20	0.5	Skimmer 1 ½" Outlet	20	1.0	25 sq. ft.	18.75	1.1
Main Drain 1 ½" Outlet	30	1.0	Skimmer 1 ½" Outlet	30	2.0	35 sq. ft.	26.25	2.0
Main Drain 1 ½" Outlet	40	1.5	Skimmer 1 ½" Outlet	40	3.0	50 sq. ft.	37.50	4.3
Main Drain 1 ½" Outlet	50	2.0	Skimmer 1 ½" Outlet	50	4.0	70 sq. ft.	52.50	7.5
Main Drain 1 ½" Outlet	60	2.5	Skimmer 1 ½" Outlet	60	5.5	75 sq. ft.	56.25	8.0
						100 sq. ft.	75.00	17.5
Main Drain 2" Outlet	40	1.0	Skimmer 2" Outlet	20	0.5			
Main Drain 2" Outlet	50	1.5	Skimmer 2" Outlet	30	1.0			
Main Drain 2" Outlet	60	2.0	Skimmer 2" Outlet	40	2.0			
Main Drain 2" Outlet	70	3.0	Skimmer 2" Outlet	50	3.0			
Main Drain 2" Outlet	80	4.0	Skimmer 2" Outlet	60	4.0			
			Skimmer 2" Outlet	70	5.0			
Heater	--	7.0 avg.	Skimmer 2" Outlet	80	6.0			

Jet Flow Data

Jet orifices sized from ¾" to 1 ½" work better at a lower PSI. Use legend to size properly.



LEGEND:
 WEAK
 MODERATE
 STRONG

JET FLOW CHART

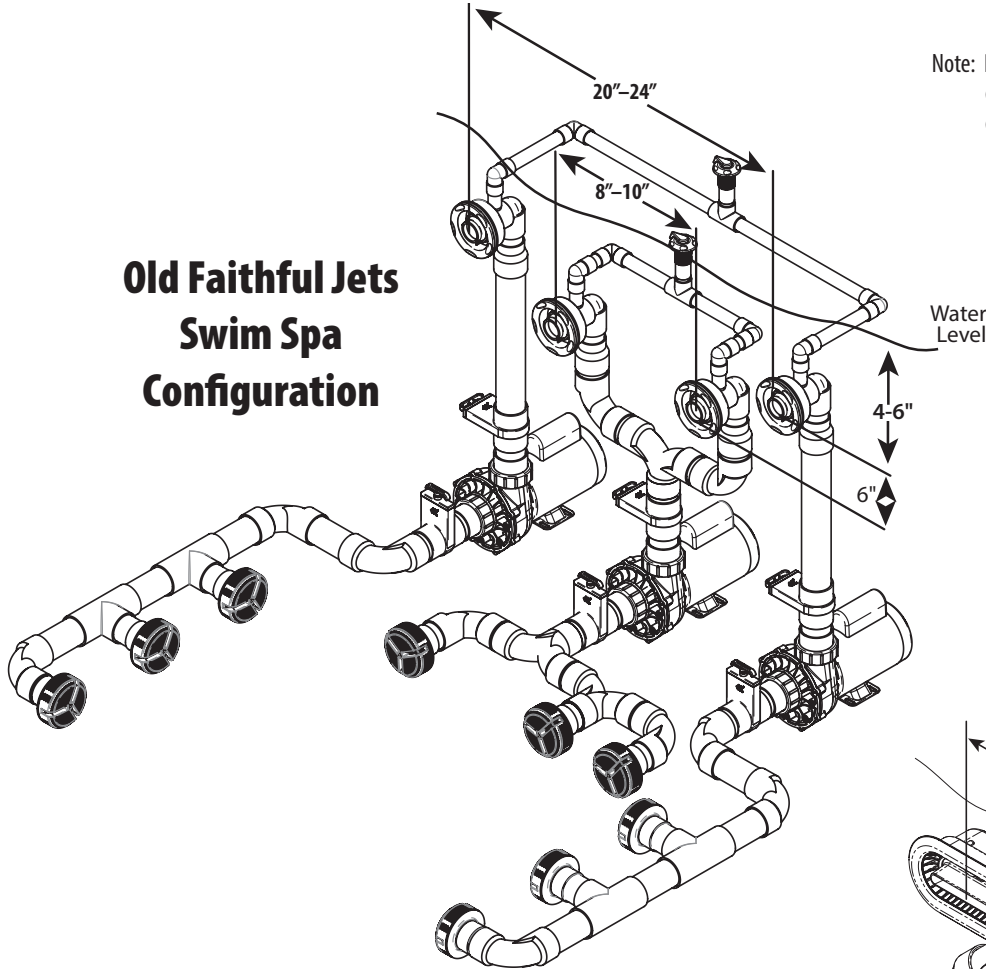
NOZZLE ORIFICE SIZE	JETS			GPM
	10 PSI	15 PSI	20 PSI	
⅜"	3	4	5	GPM
¼"	6	7	8	GPM
⅝"	9	10	12	GPM
⅜"	13	16	18	GPM
⅞"	17	19	22	GPM
½"	24	29	33	GPM
¾"	63	65	75	GPM
1"	95	116	134	GPM
1 ⅞"	120	147	170	GPM
1 ½"	213	260	301	GPM

Technical Information

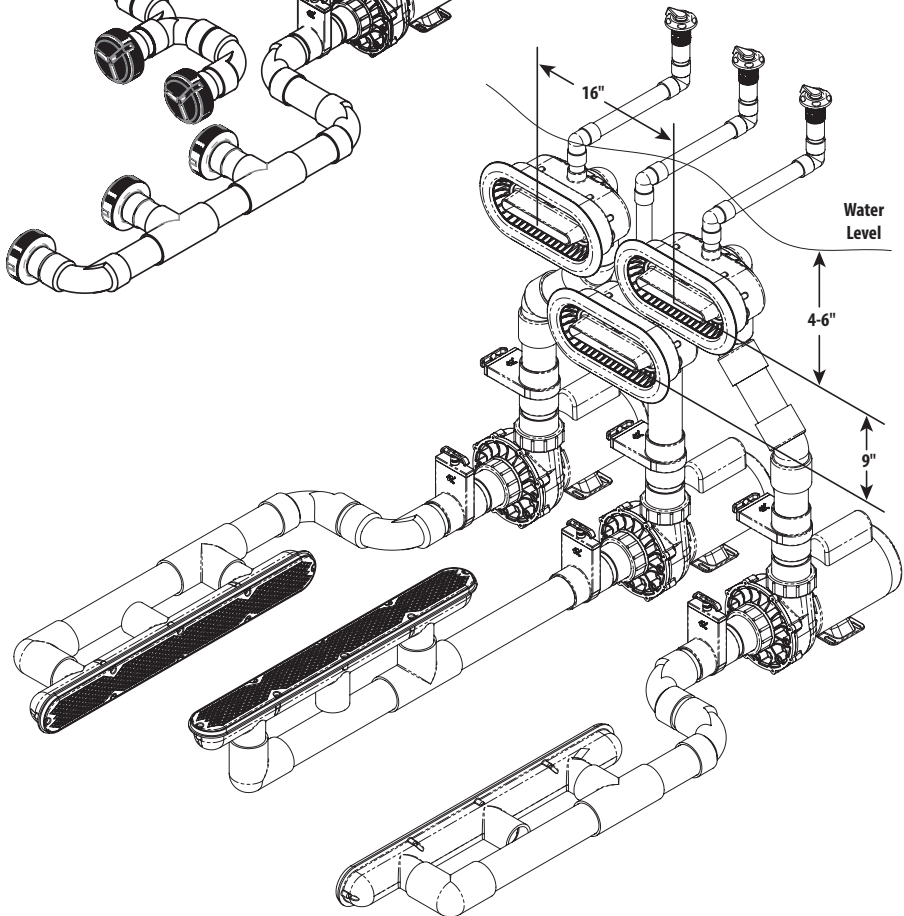
SWIM SPA CONFIGURATIONS

Note: Dimensions represent sample configuration only. Various custom configurations are possible.

Old Faithful Jets Swim Spa Configuration



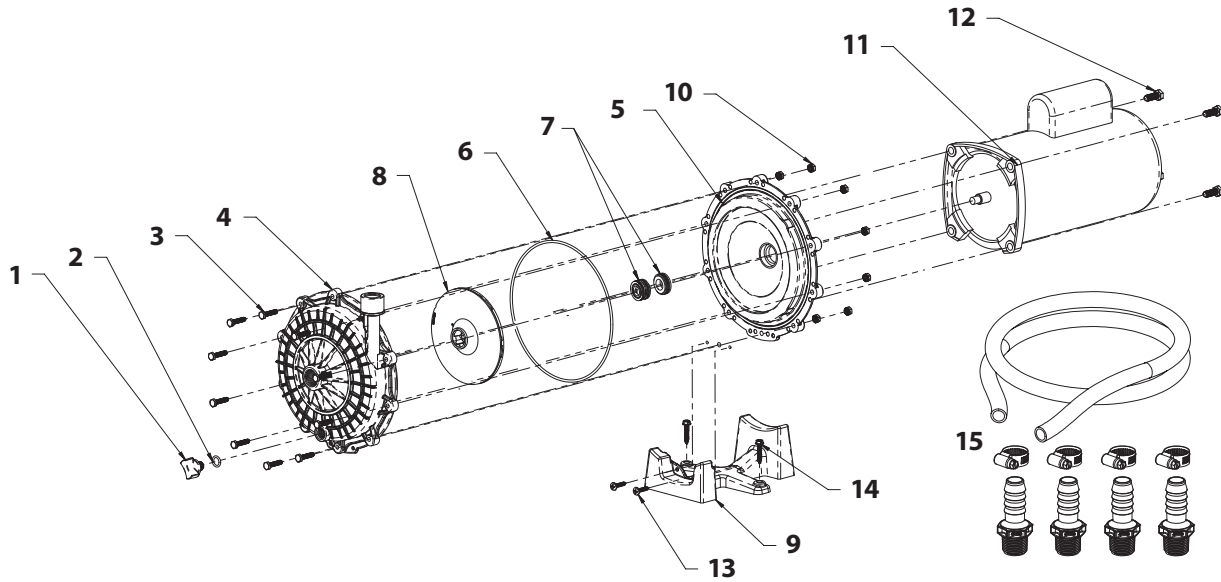
River Jets Swim Spa Configuration



Technical Information



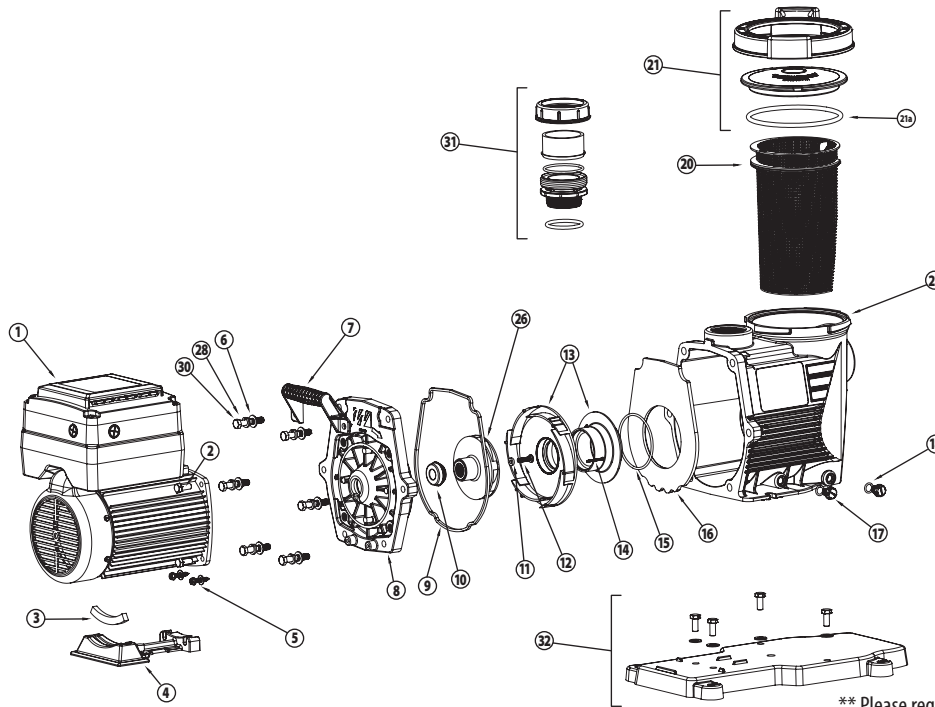
Replacement Parts



Power Defender Booster Pump Replacement Parts

Item	Part No.	Description
1	715-8400B	Drain Plug $\frac{3}{8}$ " Booster Pump
2	805-0112B	O-Ring, #2-112, .487 I.D. X .103 W
3	819-2590B	Bolt, Hex Hd, 1/4"-20 UNC X 1- $\frac{1}{8}$ " LG SS (19)
4	315-8300B	Volute Booster Pump
5	311-8300B	Seal Plate Booster Pump
6	805-0268B	O Ring #268 (2)
7	319-3290B	Pump Seal Set (811-4020A, 811-4020B)
8	310-8400B	$\frac{3}{4}$ HP Impeller Booster Pump Impeller
9	672-1380B	Motor Mount, Booster Pump
10	820-0013B	Hex Nut, Serated 1/4-20-Sand Filter (19)
11	SG3P10430-1	Booster Pump Motor
12	819-0011B	Screw, $\frac{3}{8}$ "-16 X 1 Hex Cap Head, Pool Pump (4)
13	819-0800B	Screw, #12 X 1.00" Lg, Type AB, Self-tapping, Pnhd, Phil. (2)
14	819-0013B	Screw Slot Hex Washer $\frac{1}{4}$ " X 1- $\frac{1}{4}$ " (2)
15	550-8700B	Hose, Fitting And Clamp Kit (4)

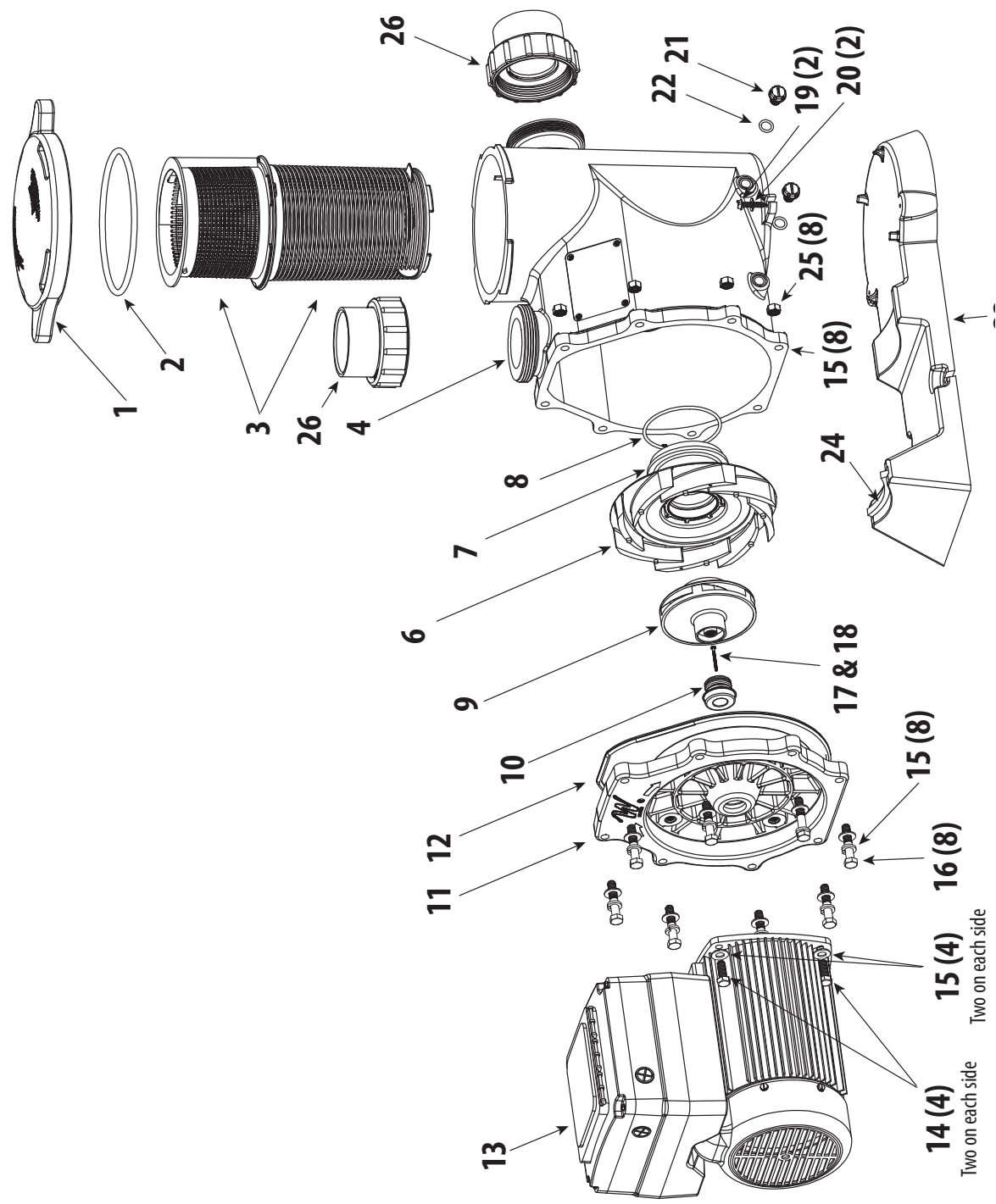
** Please request price quote.



** Please request price quote.

Power Defender Pumps Replacement Parts

Item	Part No.	Description
1	MC-2-05	1.10 HP Motor
	MC-4-01	1.40 HP Motor
	MC-4-02	1.65 HP Motor
	MC-4-03	2.25 HP Motor
	MC-4-04	2.70 HP Motor
	MC-4-05	3.50 HP Motor
2	819-0035B	Bolt .375-16 x .875 Long
3	672-1350B	Motor Support Supra Max
4	319-1500B	Motor Base
5	819-0013B	Screw Slot Hex Washer ¼" x 1 ¼"
6	820-0017B	⅜" Flat Washer Type B, Pool Pumps
7	319-1700B	Handle
8	311-1450B	Face Plate
9	806-1400B	Gasket, Face Plate
10	319-3100B	Pump Seal Set-Viton
11	711-4300B	Washer, Impeller
12	819-4360B	Screw Phil. Pan Head Left Hand ¼-20 x 1"
13	310-7470B	Diffuser Assy
14	819-0018B	#4-40 Uncs Bolt Schs
15	805-0238B	O-Ring-238
16	319-1420B	Diffuser Plate
17	715-1201B	⅜" Quarter Slot Plug (Sd Wet End)
18	805-0014B	O-Ring, -014
20	319-1430B	Basket Assy
21	319-4100B	Lid & Nut & O-ring - 6" Trap
21a	805-0436B	O-Ring - 6" Trap Lid
26	--	Upr Impeller Assy
27	319-1630B	Pump Housing - 2" x 2" Npt
28	820-0017-1B	⅜" Washer, Split Lock
30	819-0016B	⅜"-16 x 2" Lg Hex Head
31	400-1431-2B	Self Aligning Pump Union Assy




Power Defender SVL 270 Pump Replacement Parts

Item	Part No.	Description
1	511-1310B	Trap Lid
2	805-0439B	Trap Lid O-Ring
3	319-1310B	Basket Assembly
4	315-1300B	Volute Housing
6	310-3300B	Diffuser - High-Flow
7	805-0238B	Diffuser O-Ring
8	819-0018B	Diffuser Screw (2 required)
9	310-3650B	SVL56E-110, SVL56S-107, SVL56S-110, SVL56S-210 Impeller Assembly - High-Flow
	310-3660B	SVL56E-115, SVL56S-115, SVL56S-215 Impeller Assembly - High-Flow
	310-3670B	SVL56E-120, SVL56S-120, SVL56S-125 Impeller Assembly - High-Flow
	310-3680B	SVL56E-130 Impeller Assembly - High-Flow
10	319-3100B	Pump Seal Set - Viton (replaces 319-3110B)
11	311-1400B	Volute Faceplate
12	711-4290B	Faceplate Gasket
13	–	Motor
14	819-0011B	Screw - $\frac{3}{8}$ " - 16 x $\frac{1}{8}$ " (4 required)
15	820-0017B	$\frac{3}{8}$ " Flat Washer (12 required)
16	820-0016B	$\frac{3}{8}$ " 16-Fin Serrated Hex Nut
17	819-4360B	Screw Head Left Hand Thread
18	711-4300B	SVL Gasket for Left Hand Screw
19	819-0013B	Screw (2 required)
20	820-0018B	Flat Washer (2 required)
21	715-1201B	$\frac{3}{8}$ " Quarter Slot Drain Plug
22	805-0112B	Drain Plug O-Ring
23	672-1300B	SVL56 Base
24	672-1310B	Motor Support Strip
25	819-0016B	Screw (8 required)
26	400-5111	Pump Unions (2 required)

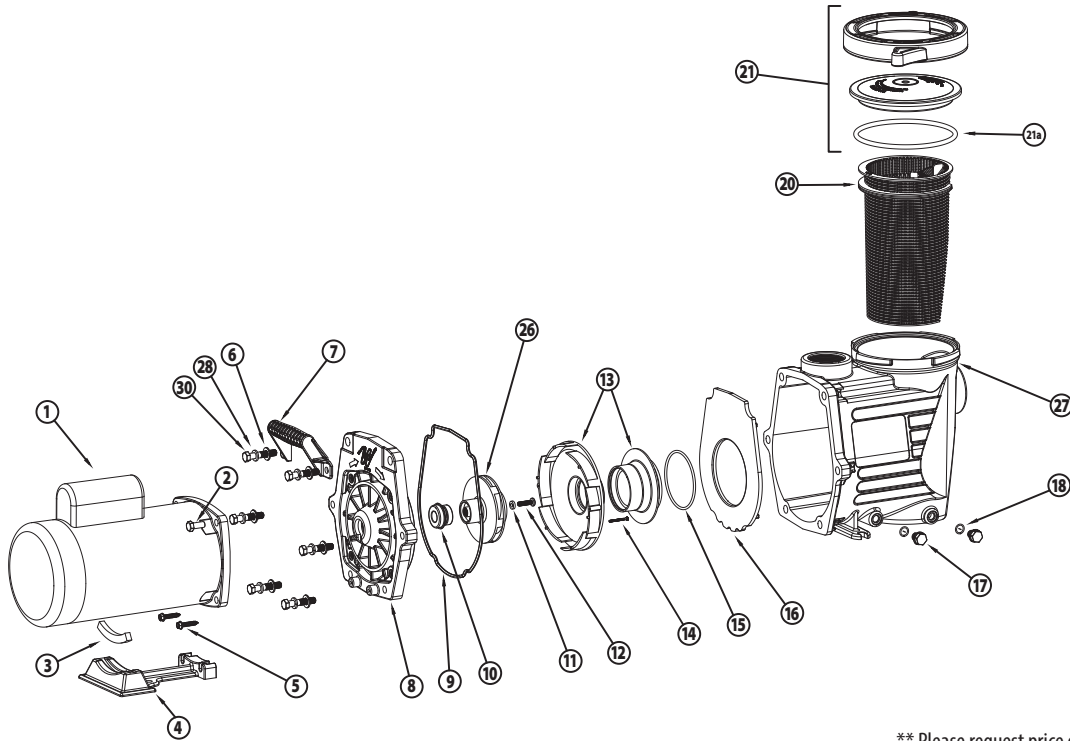
Pump Union Replacement Parts

Item	Part No.	Description
1	415-6001B	2 ½" Union Nut - Black
2	417-5971B	2" Tailpiece for 2 ½" Union Nut - O-Ring Black
2	417-6001B	2 ½" S Tailpiece - Black
3	711-6020B	Gasket , 2½" Union Heater

** Please request price quote.



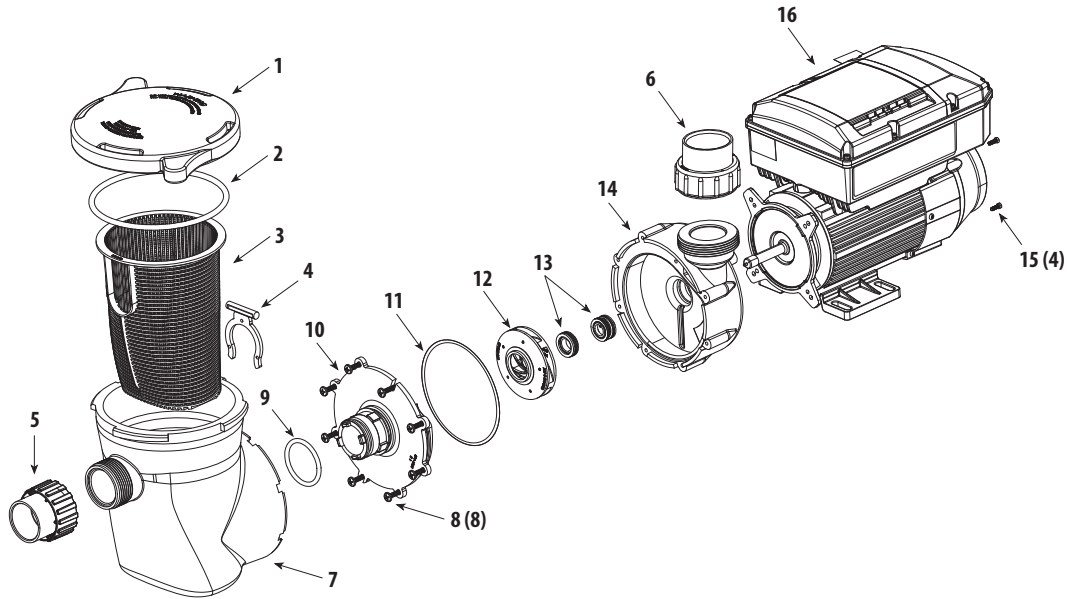
Replacement Parts / Champion 56-Frame Pump (Discontinued 2021)



** Please request price quote.

Champion 56-Frame Pump Replacement Parts

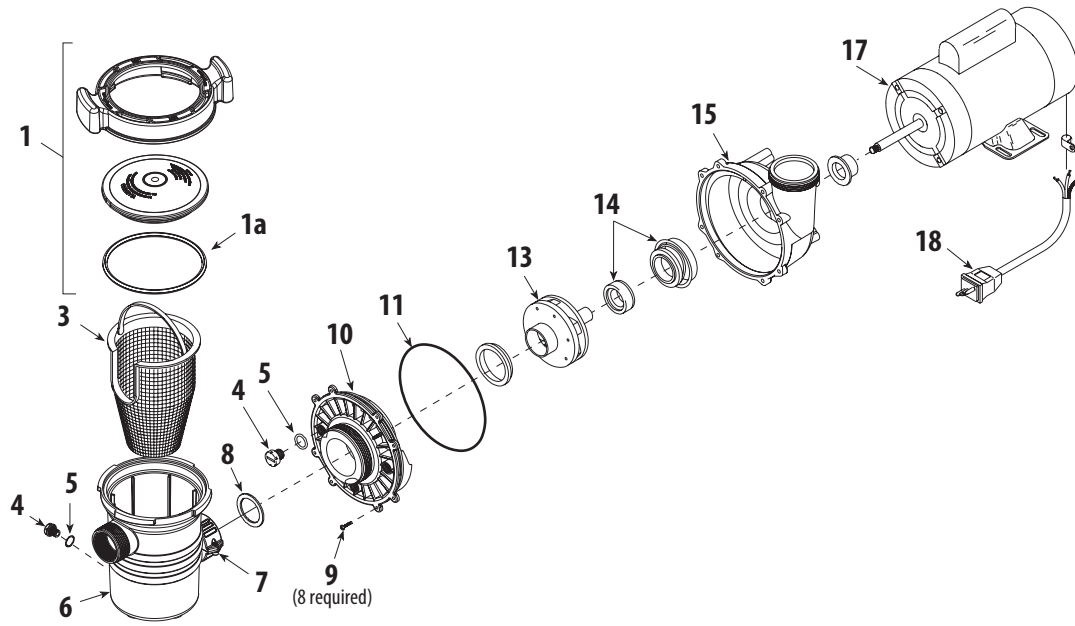
Item	Part No.	Description
1		Motor, 56 Frame Variable Spd 230V
2	819-0035B	Bolt .375-16 x .875 Long
3	672-1350B	Neoprene Motor Support Strip
4	319-1500B	Motor Support Base
5	819-0013B	Screw Slot Hex Washer 1/4" x 1 1/4"
6	820-0017B	3/8" Flat Washer Type B, Pool Pumps
7	319-1700B	Handle
8	311-1450B	Face Plate
9	806-1400B	Gasket, Face Plate
10	319-3100B	Pump Seal Set-Viton
11	711-4300B	Washer, Impeller
12	819-4360B	Screw Phil. Pan Head Left Hand 1/4"-20 x 1"
13	310-7470B	Diffuser Assy
14	819-0018B	#4-40 Uncs Bolt Schs
15	805-0238B	O-Ring-238
16	319-1420B	Diffuser Plate
17	715-1201B	3/8" Quarter Slot Plug (Sd Wet End)
18	805-0014B	O-Ring, -014
20	319-1430B	Basket Assy
21	319-4100B	Lid & Nut & O-ring - 6" Trap
21a	805-0436B	O-Ring - 6" Trap Lid
26	310-7400B	CHAMPS ¹⁰⁷ Impeller Assembly
	310-7410B	CHAMPE ¹⁰⁷ /CHAMPS ¹¹⁰ /CHAMPS ²¹⁰ Impeller Assy
	310-7420B	CHAMPE ¹¹⁰ /CHAMPS ¹¹⁵ /CHAMPS ²¹⁰ Impeller Assy
	310-7430B	CHAMPE ¹¹⁵ /CHAMPS ¹²⁰ /CHAMPS ²²⁰ Impeller Assy
	310-7440B	CHAMPE ¹²⁰ /CHAMPS ¹²⁵ /CHAMPS ²²⁵ Impeller Assy
	310-7450B	CHAMPE ¹³⁰ Impeller Assembly
27	315-1400B	Pump Housing - 2" x 2" Npt
28	820-0017-1B	3/8" Washer: Split Lock
30	819-0016B	3/8"-16 x 2" Lg Hex Head



** Please request price quote.

Power Defender 140 ABG Pump Replacement Parts

Item	Part No.	Description
1	511-1310	Lid Trap SVL56
2	805-0439	O-Ring #439 BN50- SVL/Mustang Pool Pump Lid
3	319-1530	Supreme Trap Basket
4	319-1540	C-Clip Supreme Pool Pump
5	400-4060-2B	#7 Union Assy
6	400-4060-2B	#7 Union Assy
7	319-1511	Supreme Pump Trap Body Assembly
8	819-0800B	Screw#12x1" Self Tapping Pan Head Philips
9	805-0330	O-Ring #330 BN50 2.10 ID X 2.10
10	311-1520B	Faceplate
11	805-0001-SPLB	O-Ring #2-330
12	310-5090	1HP Impeller Assy
13	319-3090B	Pump Seal Kit
14	314-1510	Supreme Wet End-Less Impeller
15	819-0501	Machine Screw 8/32 x 1/2"
16	3POVS14	Motor- 1.4 variable speed for above ground



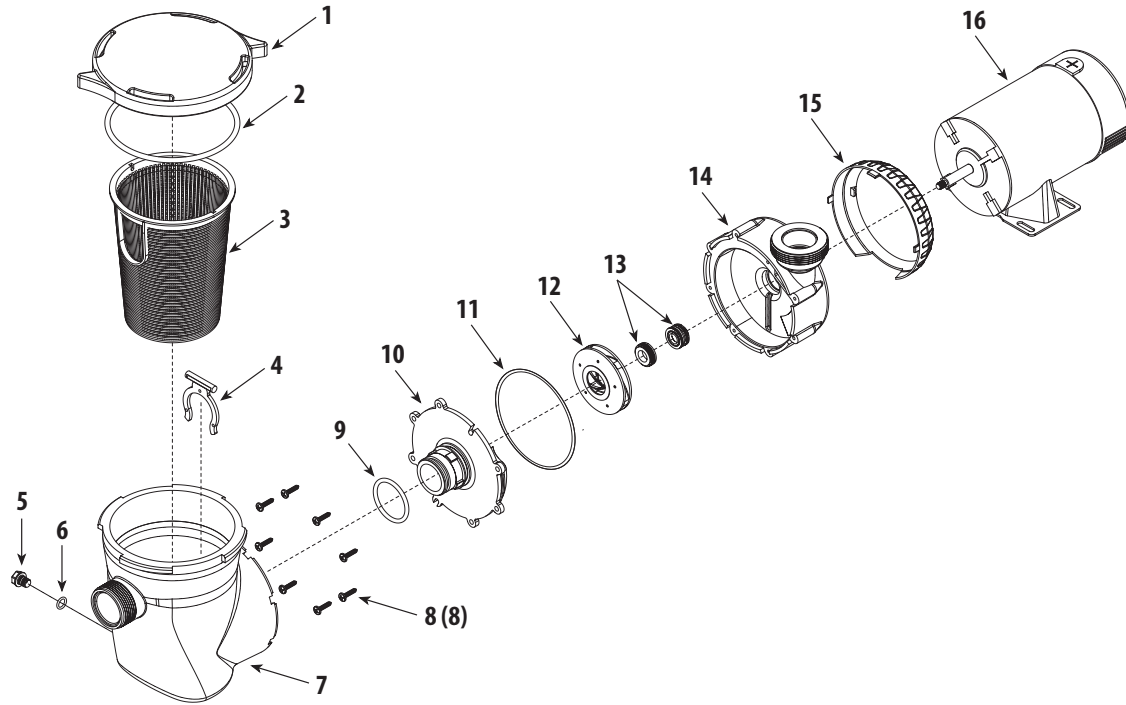
Hi-Flo Side Discharge Pump Replacement Parts

Item	Part No.	Description
1	319-4100	Lid & Nut & O-ring - 6" Trap
1a	805-0436B	O-Ring - 6" Trap Lid
3	319-3230B	6" Trap Basket Assembly with Handle
4	715-1201B	$\frac{3}{8}$ " Quarter Slot Drain Plug
5	805-0112B	O-Ring - Drain Plug
6	319-2170B	6" Trap Body - 1 1/2" FPT/ 1 1/2" Buttress x 2" Union Flange
7	400-5161B	2" Split Nut with Screw
8	711-4010B	2" Union Gasket
9	819-1110B	Screw (8 required)
10	311-2140B	2" Intake Side Discharge Faceplate
11	805-0256B	O-Ring - Faceplate
13	310-3990B	$\frac{3}{4}$ HP Impeller Assembly
	310-4000B	1 HP Impeller Assembly
	310-4010B	1 1/2 HP Impeller Assembly
	310-4030B	2 HP Impeller Assembly
14	319-3100B	Pump Seal Kit - Viton
15	315-2500B	Volute Housing - Side Discharge
17	--	Motor
18	741-CGGZ-67RB	3 ft. Electrical Cord - Regular Plug
	741-CGGZ-37LB	3 ft. Electrical Cord - Twist-Lock Plug

Hi-Flo II Side Discharge Pump Replacement Parts

Item	Part No.	Description	List (US \$)
4	715-4020B	$\frac{3}{8}$ " Quarter Slot Drain Plug	2.96
10	311-2170B	2" Intake Side Discharge Faceplate	40.53
11	805-0158B	O-Ring - Faceplate	**
13	310-8000B	1/2 HP Impeller Assembly	30.87
	310-8010B	3/4 HP Impeller Assembly	31.04
	310-8020B	1 HP Impeller Assembly	30.87
	310-8030B	1 1/2 HP Impeller Assembly	31.04
	310-8040B	2 HP Impeller Assembly	30.99
14	319-3090B	Pump Seal Kit - Viton	26.10
15	315-2520B	Volute Housing - Side Discharge	**

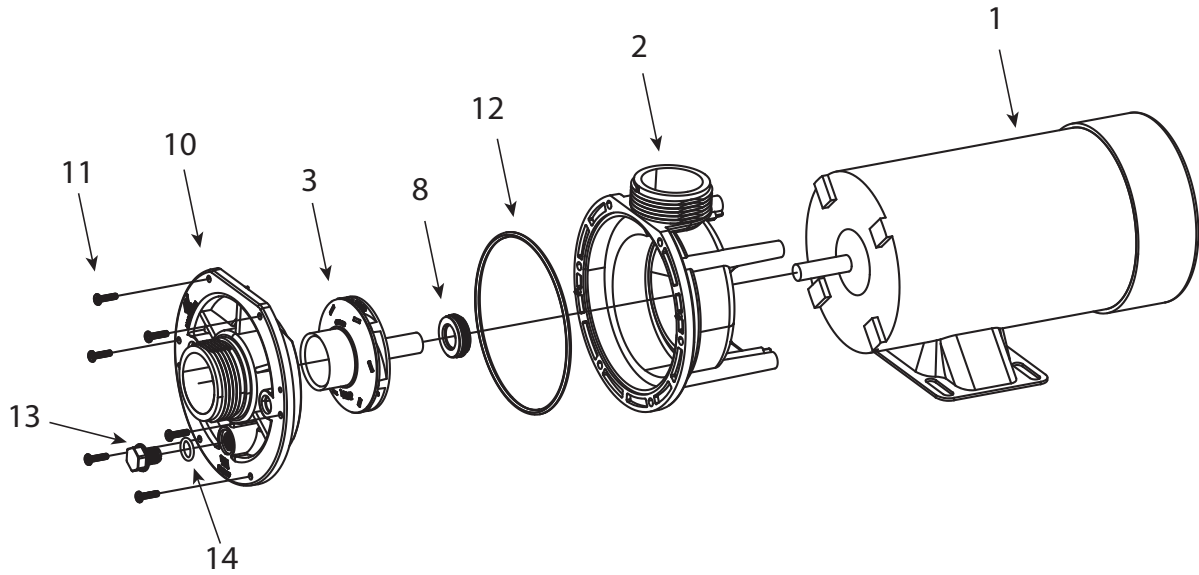
** Please request price quote.



Supreme Pump Replacement Parts

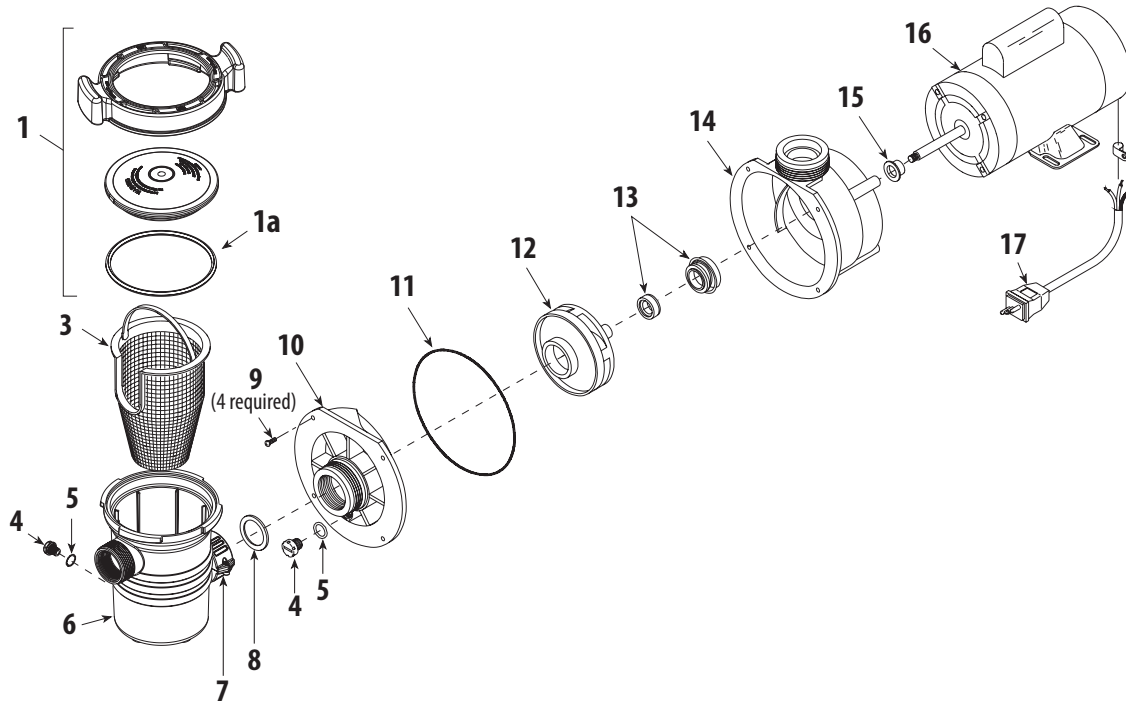
Item	Part No.	Description
1	511-1310B	Trap Lid
2	805-0439B	O-Ring #439
3	319-1530B	Trap Basket
4	319-1540B	C-Clip
5	715-1201B	3/8" Quarter Slot Drain Plug
6	805-0112B	O-Ring - Drain Plug
7	319-1510B	Trap Body
8	819-0800B	Screw #12 x 1" Self-Tapping Pan Head Phillips (8 required)
9	805-0330B	O-Ring #2-330
10	311-1520B	Faceplate
11	805-0001-SPLB	O-Ring Face Plate Volute
12	310-5080B	3/4 HP Impeller Assembly
	310-5090B	1 HP Impeller Assembly
	310-5100B	1 1/2 HP Impeller Assembly
13	319-3090B	Pump Seal Kit
14	315-1510B	Volute
15	319-1550B	Volute Cosmetic Cover
16	--	Motor
17	741-CGGZ-67RB	3 ft. Electrical Cord - Regular Plug
18	741-CGGZ-37LB	3 ft. Electrical Cord - Twist-lock Plug

** Please request price quote.



E-Series Center Discharge Pump Replacement Parts

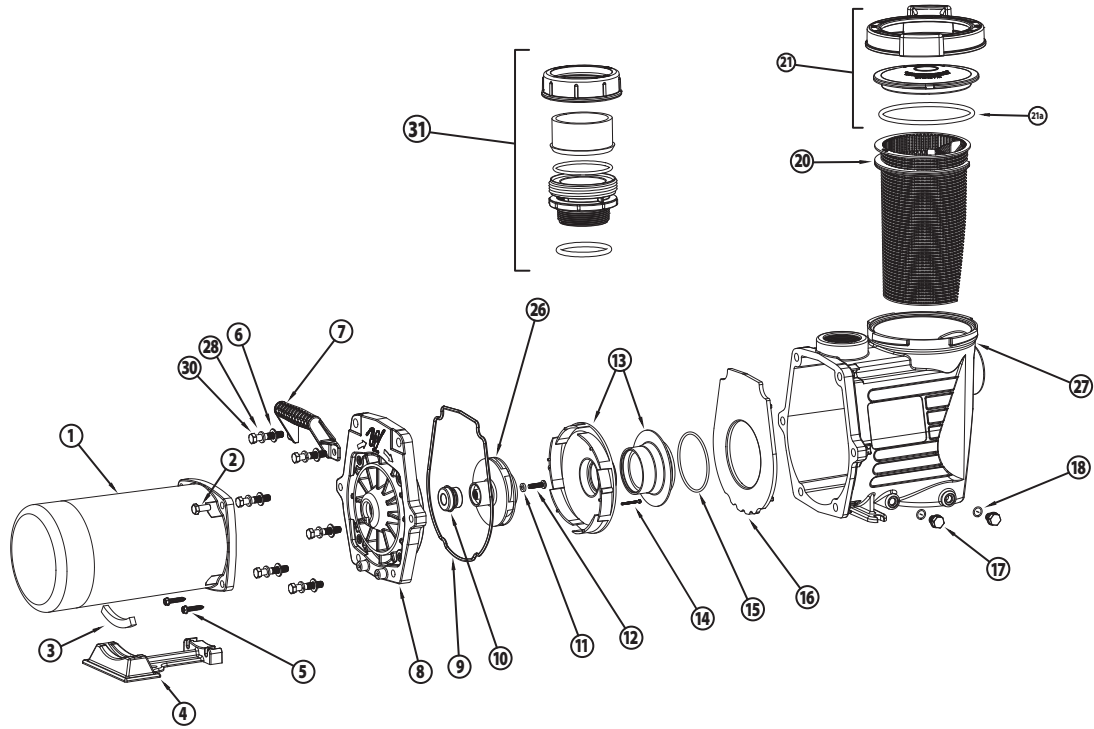
Item	Part No.	Description
2	315-1070B	Volute - Spa & Bath - Center Discharge
3	310-8000B	½ HP Impeller Assembly
	310-8010B	¾ HP Impeller Assembly
	310-8020B	1 HP Impeller Assembly
	310-8030B	1½ HP Impeller Assembly
	310-8040B	2 HP Impeller Assembly
8	319-3090B	Pump Seal Kit
10	311-1070B	Faceplate - Spa - Center Discharge Wet End
11	819-1110B	Screw - #8 - 32 x ¾" PPH 18-8
12	805-0252B	O-Ring - #265 - Sand Filter Valve
13	715-1201B	¾" Quarter Slot Plug (SD Wet End)
14	805-0112B	O-Ring - #112 Pump Drain Plug



Center Discharge Pump Replacement Parts

Item	Part No.	Description
1	319-4100B	Lid & Nut & O-ring - 6" Trap
1a	805-0436B	O-Ring - 6" Trap Lid
3	319-3230B	6" Trap Basket Assembly with Handle
4	715-1201B	$\frac{3}{8}$ " Quarter Slot Plug
5	805-0112B	O-Ring - Pump Drain Plug
6	319-2160B	6" Trap Body - 1 1/2" FPT / 1 1/2" Buttress x 1 1/2" Union Flange
7	415-4051B	1 1/2" Split Nut Union Buttress
8	711-4000B	1 1/2" Union Gasket
9	819-1110B	Screw (4 required)
10	311-1110B	Faceplate
11	805-0252B	O-Ring - Faceplate Volute
12	310-5110B	1/2 HP Impeller "A" Assembly
	310-5120B	3/4 HP Impeller "B" Assembly
	310-5130B	1 HP Impeller "C" Assembly
	310-5140B	1 1/2 HP Impeller "D" Assembly
	310-5200B	2 HP Impeller "E" Assembly
13	319-3100B	Seal Set
14	315-1120B	Volute
	315-1050B	Jacuzzi Style Volute
15	313-1400B	Slinger
16	--	Motor
17	741-CGGZ-67RB	3 ft. Cord - Regular Plug
	741-CGGZ-37LB	3 ft. Cord - Twist-Lock Plug

** Please request price quote.



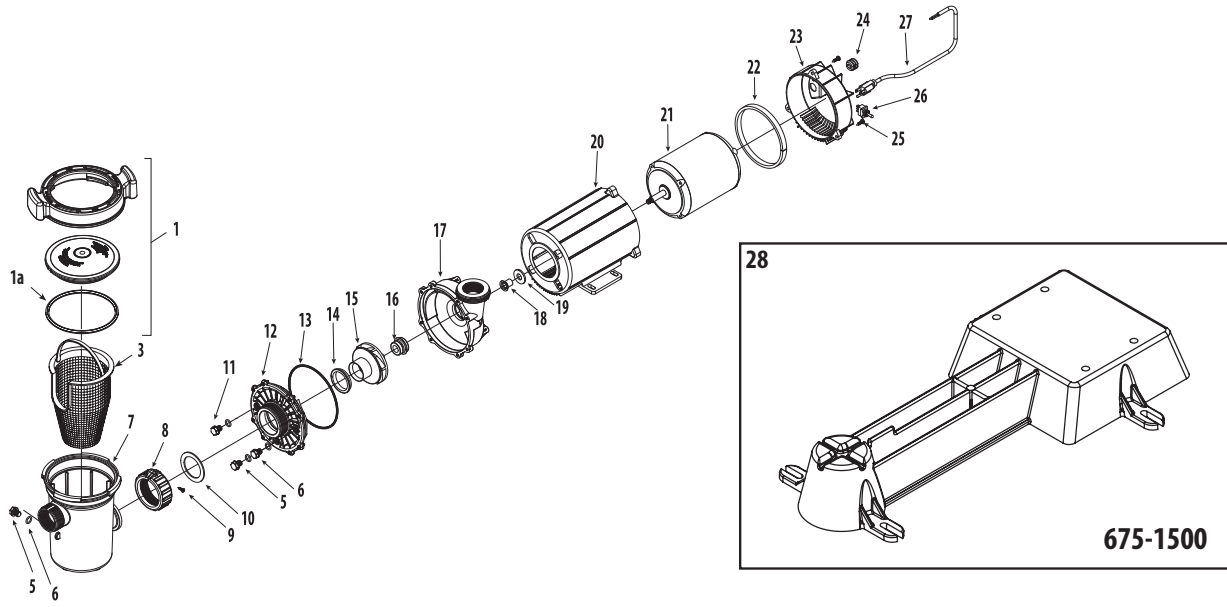
SMF Pump Replacement Parts

Item	Part No.	Description
1	3310330-1	Motor, 48-FRAME SQ FLG 3/4HP 115/230V 60HZ
2	819-0035B	Bolt .375-16 x .875 Long
3	672-1350B	Neoprene Motor Support Strip
4	319-1500B	Motor Support Base
5	819-0013B	Screw Slot Hex Washer 1/4" x 1 1/4"
6	820-0017B	3/8" Flat Washer Type B, Pool Pumps
7	319-1700B	Handle
8	311-1450B	Face Plate
9	806-1400B	Gasket, Face Plate
10	319-3100B	Pump Seal Set-Viton
11	711-4300B	Washer, Impeller
12	819-4360B	Screw Phil. Pan Head Left Hand 1/4-20 x 1"
13	310-7470B	Diffuser Assy
14	819-0018B	#4-40 Uncs Bolt Schs
15	805-0238B	O-Ring-238
16	319-1420B	Diffuser Plate
17	715-1201B	3/8" Quarter Slot Plug (Sd Wet End)
18	805-0014B	O-Ring, -014
20	319-1430B	Basket Assy
21	319-4100B	Lid & Nut & O-ring - 6" Trap
21a	805-0436B	O-Ring - 6" Trap Lid
26	310-7500B	3/4 HP Impeller Assembly
	310-7510B	1 HP Impeller Assembly
	310-7520B	1.5 HP Impeller Assembly
	310-7530B	2 HP Impeller Assembly
27	315-1400B	Pump Housing - 2" x 2" Npt
28	820-0017-1B	3/8" Washer, Split Lock
30	819-0016B	3/8"-16 x 2" Lg Hex Head
31	400-1431-2B	Self Aligning Pump Union

** Please request price quote.



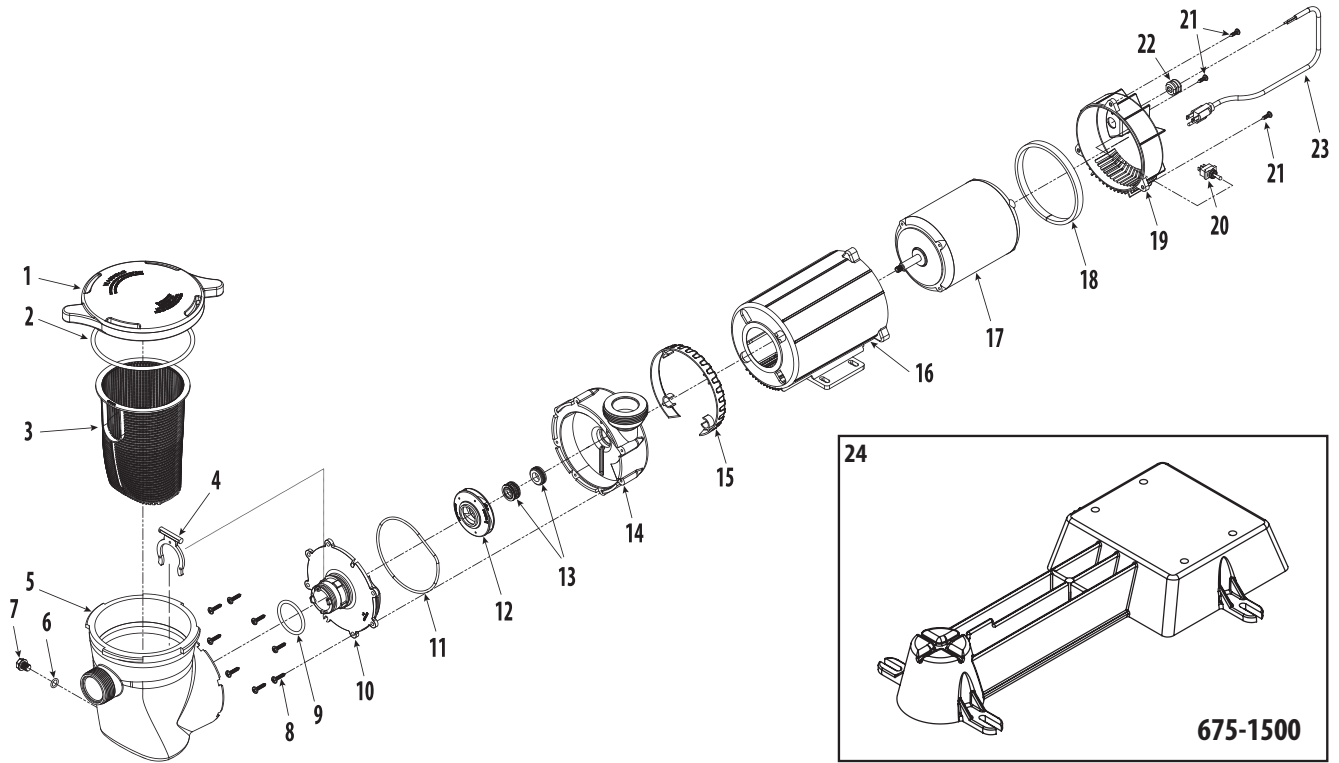
Replacement Parts / CSA Hi-Flo II Side Discharge Pump



CSA Hi-Flo II Side Discharge Pump Replacement Parts

Item	Part No.	Description
1	319-4100	Lid & Nut & O-ring - 6" Trap
1a	805-0436B	O-Ring - 6" Trap Lid
3	319-3230B	6" Trap Basket Assembly with Handle
5	715-1201B	$\frac{3}{8}$ " Quarter Slot Plug (2 required)
6	805-0112B	O-Ring - Drain Plug (2 required)
7	319-2170B	6" Trap Body - 1 1/2" FPT / 1 1/2" Buttress x 2" Union Flange
8	415-5201B	2" Heater Split Nut x 2 3/16" Gated Flange
9	819-4350B	Screw (2 required)
10	711-4010B	2" Union Gasket
11	819-1110B	Screw (8 required)
12	311-2140B	Side Discharge Faceplate
13	805-0256B	O-Ring - Faceplate
14	319-1390B	Wear Ring
15	310-3990B	$\frac{3}{4}$ HP Impeller "B" Assembly
--	310-4000B	1 HP Impeller "C" Assembly
--	310-4010B	1 1/2 HP Impeller "D" Assembly
--	310-4030B	2 HP Impeller Assembly
16	319-3100B	Pump Seal Kit
17	315-2500B	Side Discharge Volute with Inserts
18	319-3520B	CSA Slinger
19	319-3530B	CSA Slinger Washer
20	319-3500B	CSA Body Enclosure
21	--	Motor
22	865-0800B	Foam
23	319-3510B	CSA Back Cover
24	813-0025B	Strain Relief
25	819-9002B	Screw (3 required)
26	815-4011B	Hi-Off-Lo Toggle Switch
27	741-CGGZ-257RB	NEMA 25ft. Cord
28	675-1500B	CSA Pump Base, Supreme and Hi-Flo Pump

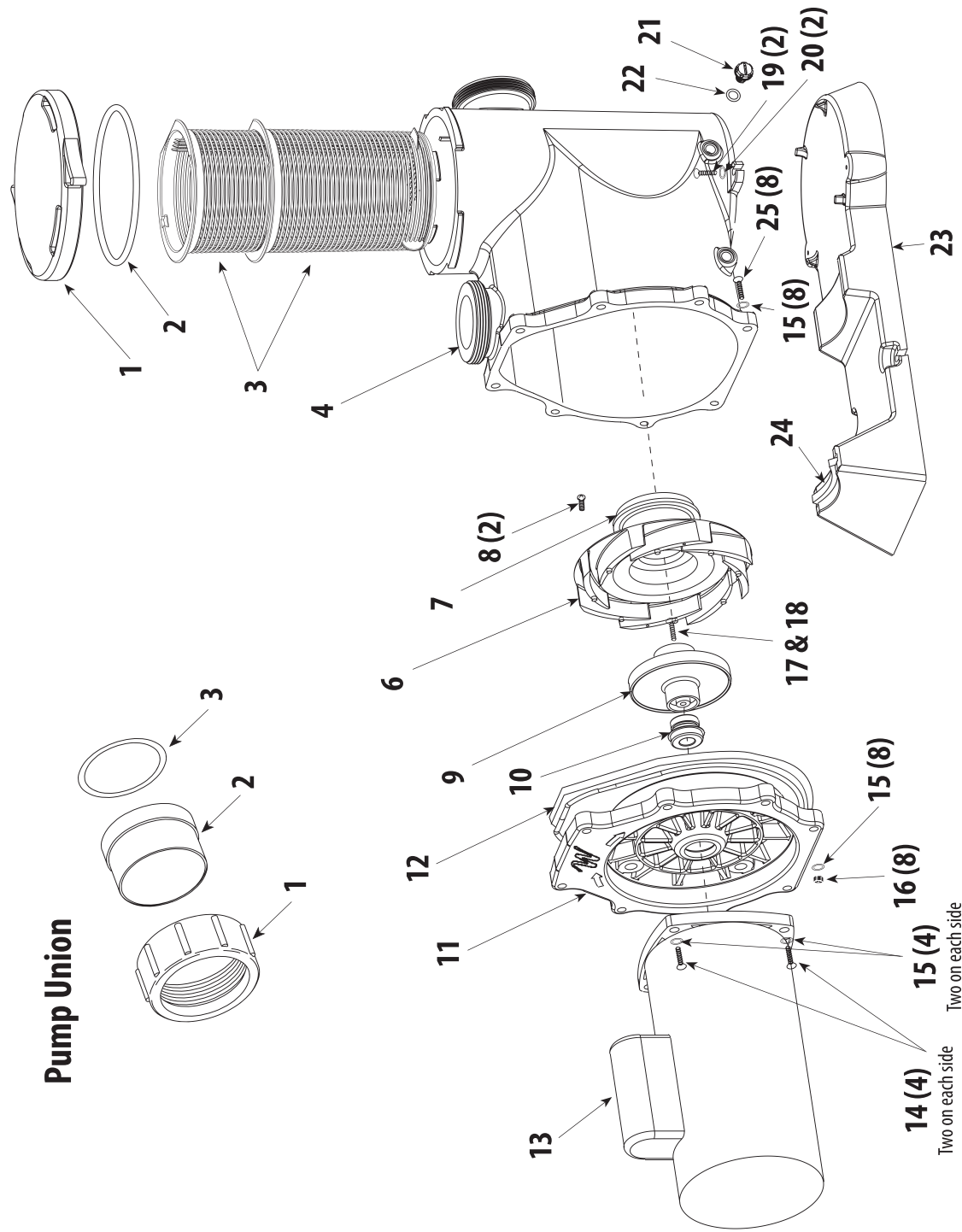
** Please request price quote.



CSA Supreme Pump Replacement Parts

Item	Part No.	Description
1	511-1310B	Trap Lid
2	805-0439B	O-Ring #439
3	319-1530B	Trap Basket
4	319-1540B	C-Clip for Poop Pump
5	319-1510B	Trap Body
6	805-0112B	O-Ring - Drain Plug
7	715-1201B	3/8" Quarter Slot Plug
8	819-0800B	Screw #12 x 1" Self-Tapping Pan Head Phillips (8 required)
9	805-0330B	O-Ring #2-330
10	311-1520B	Faceplate
11	805-0001-SPLB	O-Ring Faceplate
12	310-5080B	3/4 HP Impeller Assembly
	310-5090B	1 HP Impeller Assembly
	310-5100B	1 1/2 HP Impeller Assembly
13	319-3010B	Pump Seal Kit - Viton
14	315-1510B	Volute
15	319-1560B	Volute Cosmetic Cover
16	319-3500B	CSA Body Enclosure
17	--	Motor
18	865-0800B	Foam Ring
19	319-3510B	CSA Motor End Back Cover
20	815-4011B	Hi-Off-Lo Toggle Switch
21	819-9002B	Screw (3 required) #12 x 3/4" Phillips
22	813-0025B	Strain Relief Plug
23	741-CGGZ-257RB	25 ft. NEMA Cord
24	675-1500B	CSA Pump Base, Supreme and Hi Flo Pump

** Please request price quote.



Pump Union



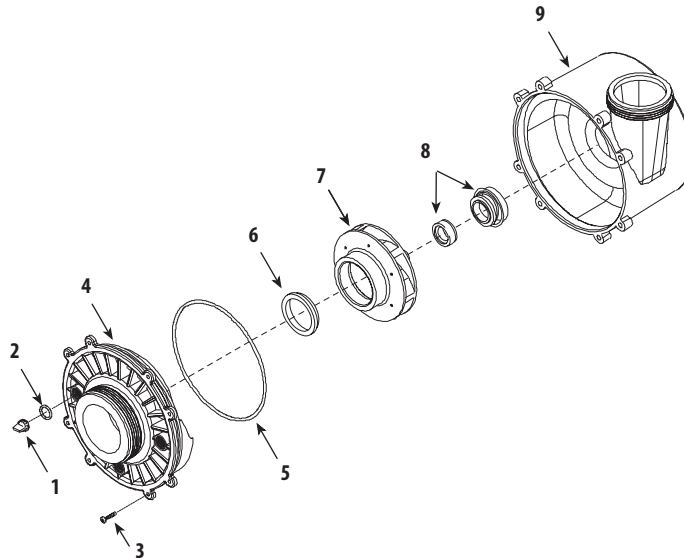
SVL56 International High-Flow Pump Replacement Parts

Item	Part No.	Description
1	511-1310B	Trap Lid
2	805-0439B	Trap Lid O-Ring
3	319-1310B	Basket Assembly
4	315-1300B	Volute Housing
6	310-3300B	Diffuser - High-Flow
7	805-0238B	Diffuser O-Ring
8	819-0018B	Diffuser Screw (2 required)
9	310-3650B	SVL56E-110, SVL56S-107, SVL56S-110, SVL56S-210 Impeller Assembly - High-Flow
	310-3660B	SVL56E-115, SVL56S-115, SVL56S-215 Impeller Assembly - High-Flow
	310-3670B	SVL56E-120, SVL56S-120, SVL56S-125 Impeller Assembly - High-Flow
	310-3680B	SVL56E-130 Impeller Assembly - High-Flow
10	319-3100B	Pump Seal Set - Viton (replaces 319-3110B)
11	311-1400B	Volute Faceplate
12	711-4290B	Faceplate Gasket
13	–	Motor
14	819-0011B	Screw - $\frac{3}{8}$ " - 16 x $\frac{1}{8}$ " (4 required)
15	820-0017B	$\frac{3}{8}$ " Flat Washer (12 required)
16	820-0016B	$\frac{3}{8}$ " 16-Fin Serrated Hex Nut
17	819-4360B	Screw Head Left Hand Thread
18	711-4300B	SVL Gasket for Left Hand Screw
19	819-0013B	Screw (2 required)
20	820-0018B	Flat Washer (2 required)
21	715-1201B	$\frac{3}{8}$ " Quarter Slot Drain Plug
22	805-0112B	Drain Plug O-Ring
23	672-1300B	SVL56 Base
24	672-1310B	Motor Support Strip
25	819-0016B	Screw (8 required)

Pump Union Replacement Parts

Item	Part No.	Description
1	415-6001B	2 ½" Union Nut - Black
2	417-5971B	2" Tailpiece for 2 ½" Union Nut - O Ring Black
2	417-6001B	2 ½" S Tailpiece - Black
3	711-6020B	Gasket 2 ½" Union Heater

** Please request price quote.



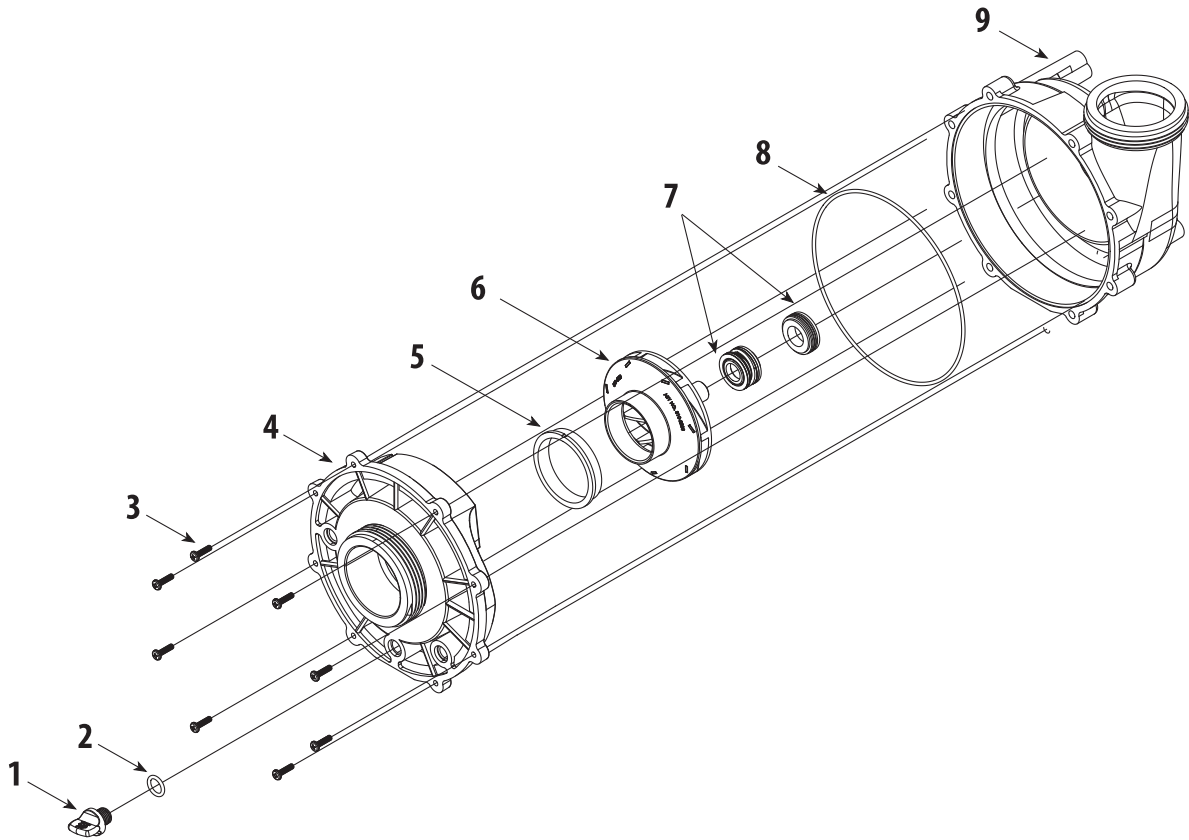
Executive 56-Frame Wet End Replacement Parts

Item	Part No.	Description
1	715-1201B	$\frac{3}{8}$ " Quarter Slot Plug - Air Relief
2	805-0112B	O-Ring - #111 - Pump Drain Plug
3	819-1110B	Screw - #8 - 32 x $\frac{7}{16}$ " PPH
4	311-1210B	Executive Faceplate 2 $\frac{1}{2}$ "
	311-1220B	Executive Faceplate 2"
5	805-0261B	O-Ring 261 - Volute for Executive Faceplate
6	319-1370B	Wear Ring - Executive Pump 4 & 5 HP
	319-1380B	Wear Ring - Executive Pump $\frac{3}{4}$, 1, 2, and 3 HP
7	310-4220B	1 HP Impeller Assembly
	310-4210B	2 HP Impeller Assembly
	310-4200B	3 HP Impeller Assembly
	310-4190B	4 HP Impeller Assembly
	310-4180B	5 HP Impeller Assembly
8	319-3100B	Pump Seal Set
9	315-1220B	Executive Volute 56-Frame with Inserts

Executive 48-Frame Wet End Replacement Parts

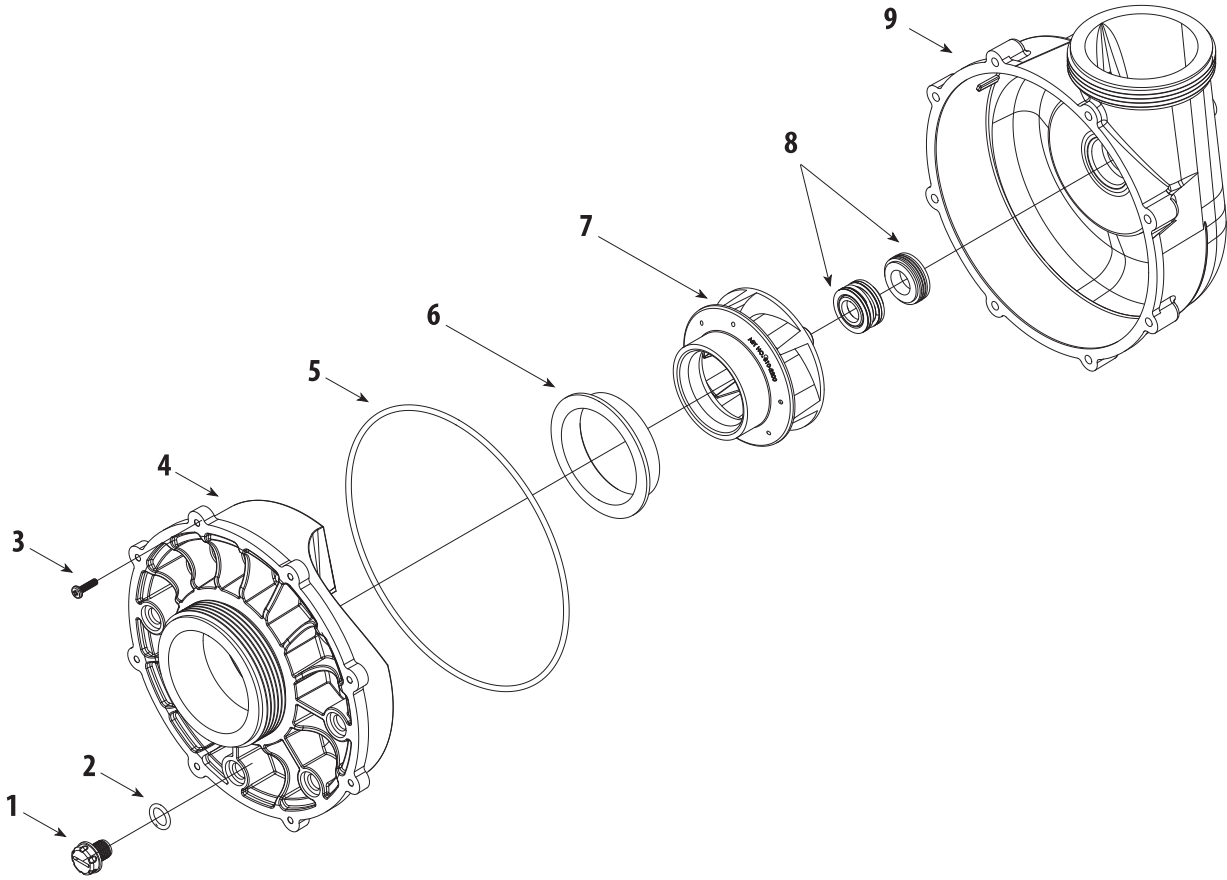
Item	Part No.	Description
1	715-1201B	$\frac{3}{8}$ " Quarter Slot Plug - Air Relief
2	805-0112B	O-Ring - #111 - Pump Drain Plug
3	819-1110B	Screw - #8 - 32 x $\frac{7}{16}$ " PPH
4	311-1210B	Executive Faceplate 2 $\frac{1}{2}$ "
	311-1220B	Executive Faceplate 2"
5	805-0261B	O-Ring 261 - Volute for Executive Faceplate
6	319-1370B	Wear Ring - Executive Pump 4 & 5 HP
	319-1380B	Wear Ring - Executive Pump $\frac{3}{4}$, 1, 2 and 3 HP
7	310-4230B	1 HP Motor - $\frac{3}{4}$ HP Impeller Assembly
	310-4220B	1 $\frac{1}{2}$ HP Motor - 1 HP Impeller Assembly
	310-4210B	2 HP Motor - 2 HP Impeller Assembly
	310-4200B	3 HP Motor - 2 HP Impeller Assembly
	310-4200B	4 HP Motor - 3 HP Impeller Assembly
8	319-3100B	Pump Seal Set
9	315-1240B	Executive Volute 48-Frame with Inserts

** Please request price quote.



EX2 Wet End Replacement Parts

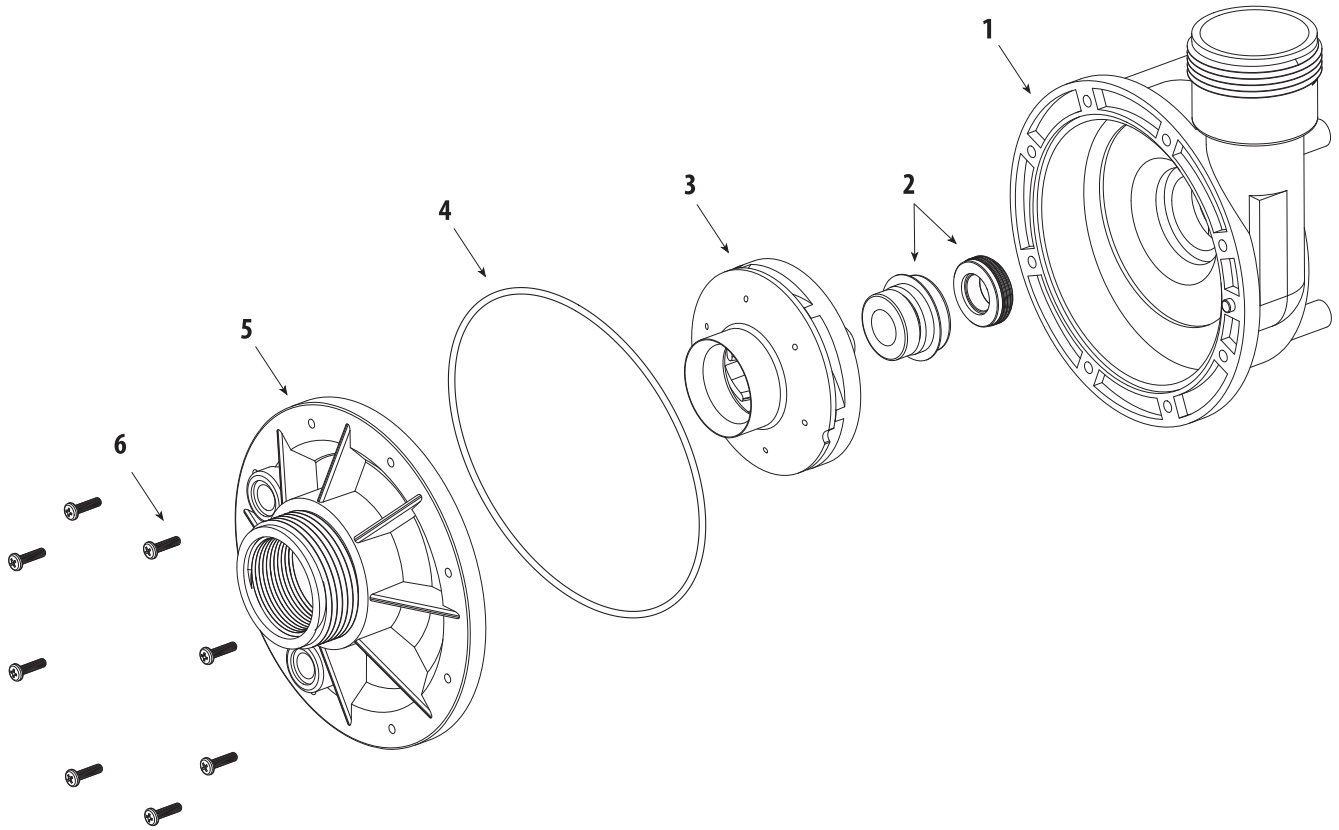
Item	Part No.	Description
1	715-4020B	Pump Drain Plug
2	805-0112B	O-Ring - Pump Drain Plug
3	819-1110B	Screw #8-32
4	311-2311B	Volute Faceplate
5	319-1270B	Wear Ring
6	310-2330B	Impeller Assembly - 1 ½ HP
	310-2340B	Impeller Assembly - 2 HP
	310-2300B	Impeller Assembly - 2 ½ HP
	310-2350B	Impeller Assembly - 3 HP
7	319-3090B	Pump Seal Kit
8	805-0164B	O-Ring #164
9	315-2301B	Volute Housing



Viper Wet End Replacement Parts

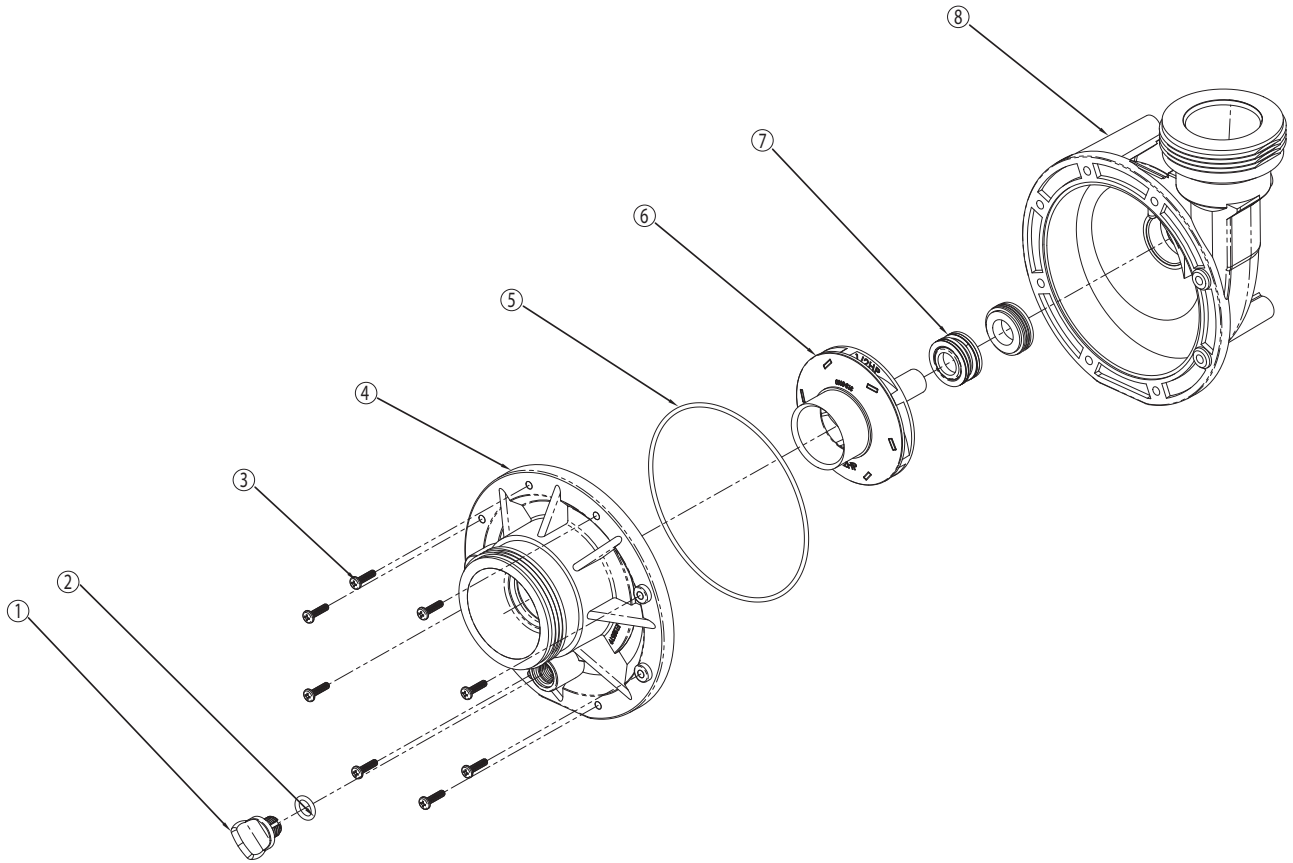
Item	Part No.	Description
1	715-1201B	3/8" Quarter Slot Pump Drain Plug
2	805-0112B	O-Ring - Pump Drain Plug
3	819-1110B	Screw #8-32 (8 required)
4	311-1510B	Volute Faceplate
5	805-0264B	Volute O-Ring
6	313-3210B	Wear Ring
7	310-2260B	Impeller Assembly - 2 HP
	310-2270B	Impeller Assembly - 3 HP
	310-2200B	Impeller Assembly - 4 HP
	310-2620B	Impeller Assembly - 5 HP
8	319-3090B	Pump Seal Kit
9	315-1500B	Volute

** Please request price quote.



Spa Flo and Iron Might Wet End Replacement Parts

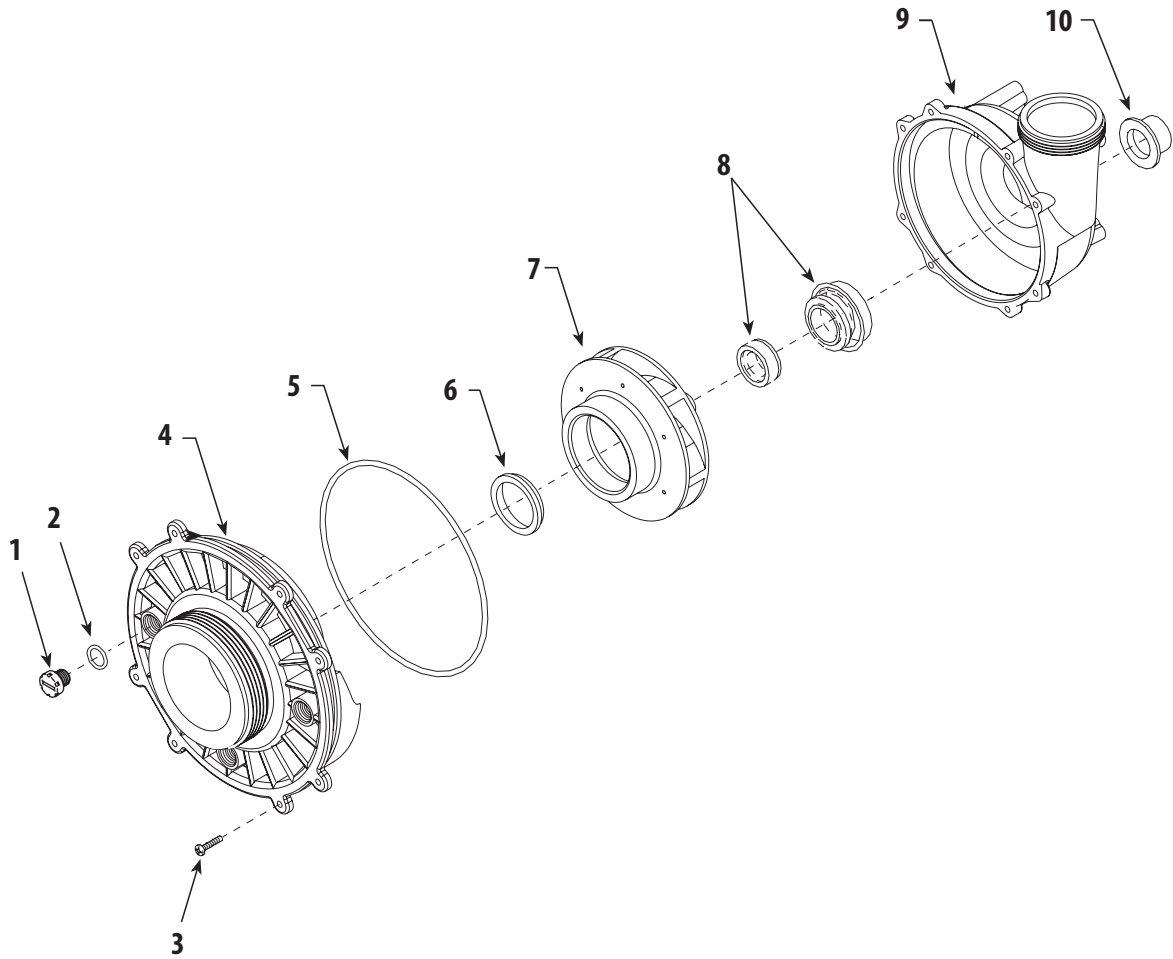
Item	Part No.	Description
1	315-1060B	Volute
2	319-3090B	Pump Seal Kit
3	310-0900B	Iron Might Impeller Assembly
	310-4060B	Spa Flo Impeller Assembly - 1 HP
	310-4070B	Spa Flo Impeller Assembly - 1.5 HP
	310-4090B	Spa Flo Impeller Assembly - 2 HP
4	805-0248B	Volute O-Ring
5	311-1060B	Faceplate
6	819-1110B	#8-32 Screw (8 required)



Spa Flo II Wet End Replacement Parts

Item	Part No.	Description
1	715-4020B	Drain Plug
2	805-0112B	O ring - Drain Plug
3	819-1110B	Screw #8 - 32 x 5/8" PPH 18 - 8
4	311-2160B	Faceplate 1.5"
5	805-0158B	O ring Faceplate
6	310-8000B	1/2 HP Impeller Assembly
	310-8010B	3/4 HP Impeller Assembly
	310-8020B	1 HP Impeller Assembly
	310-8030B	1.5 HP Impeller Assembly
	310-8040B	2 HP Impeller Assembly
7	319-3090B	Pump Seal Set
8	315-2510B	Side Discharge Volute 1.5"

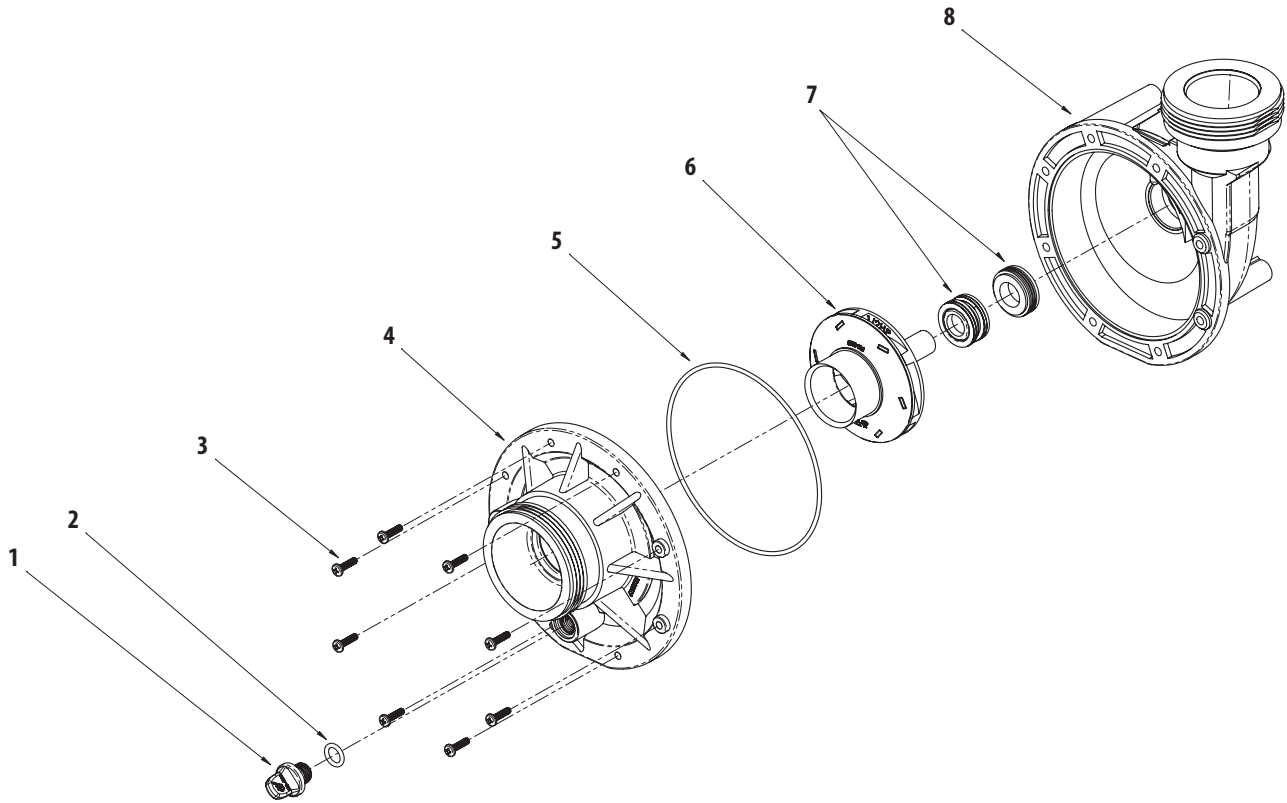
** Please request price quote.



Hi-Flo Side Discharge Wet End Replacement Parts

Item	Part No.	Description
1	715-1201B	3/8" Quarter Slot Drain Plug
2	805-0112B	O-Ring - Pump Drain Plug
3	819-1110B	Screw
4	311-2140B	2" Intake Faceplate
5	805-0256B	O-Ring - Faceplate
6	319-1390B	Wear Ring
7	310-4000B	1 HP Impeller "C" Assembly
	310-4010B	1 1/2 HP Impeller "D" Assembly
	310-4030B	2 HP Impeller Assembly
	310-4020B	3 HP Impeller Assembly
	310-4050B	4 HP Impeller Assembly
8	319-3100B	Pump Seal Kit
9	315-2500B	Side Discharge Volute with Inserts
10	313-1400B	Slinger

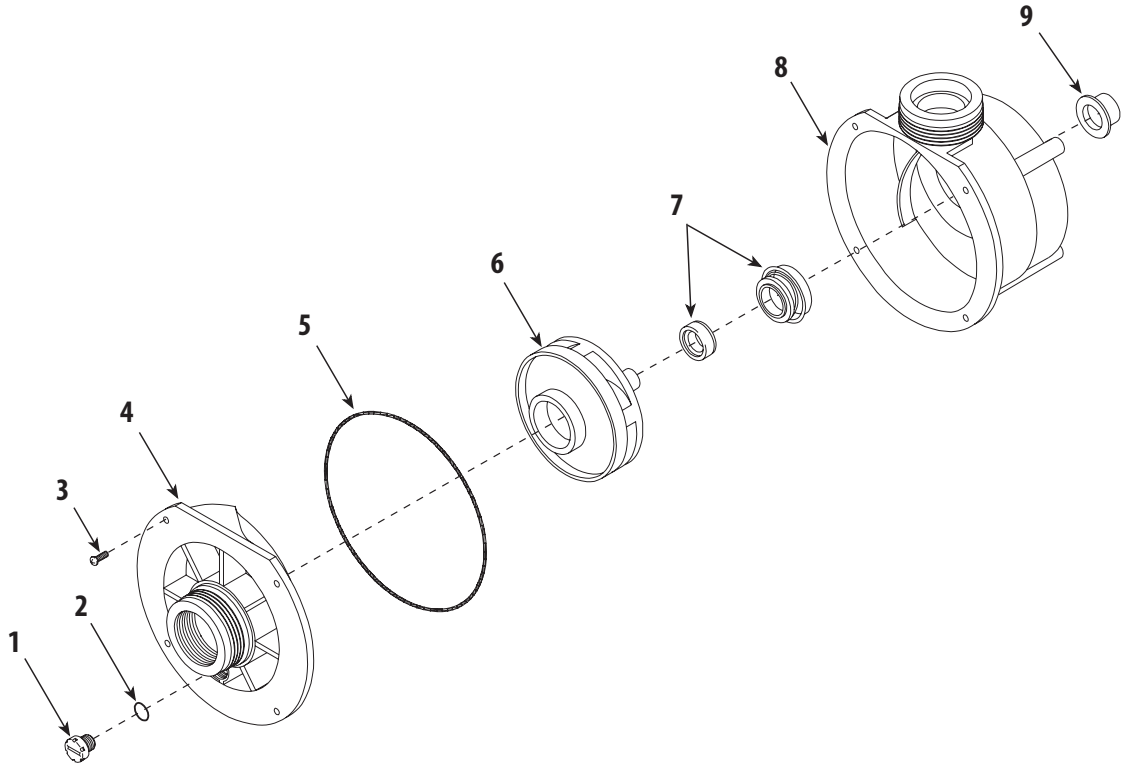
** Please request price quote.



Hi-Flo II Side Discharge Wet End Replacement Parts

Item	Part No.	Description
1	715-4020B	Drain Plug
2	805-0112B	O-ring - Drain Plug
3	819-1110B	Screw #8 - 32 x 5/8" PPH 18 - 8
4	311-2170B	Faceplate 2"
5	805-0158B	O-ring Faceplate
6	310-8000B	1/2 HP Impeller Assembly
	310-8010B	3/4 HP Impeller Assembly
	310-8020B	1 HP Impeller Assembly
	310-8030B	1.5 HP Impeller Assembly
	310-8040B	2 HP Impeller Assembly
7	319-3090B	Pump Seal Set
8	315-2520B	Side Discharge Volute 2"

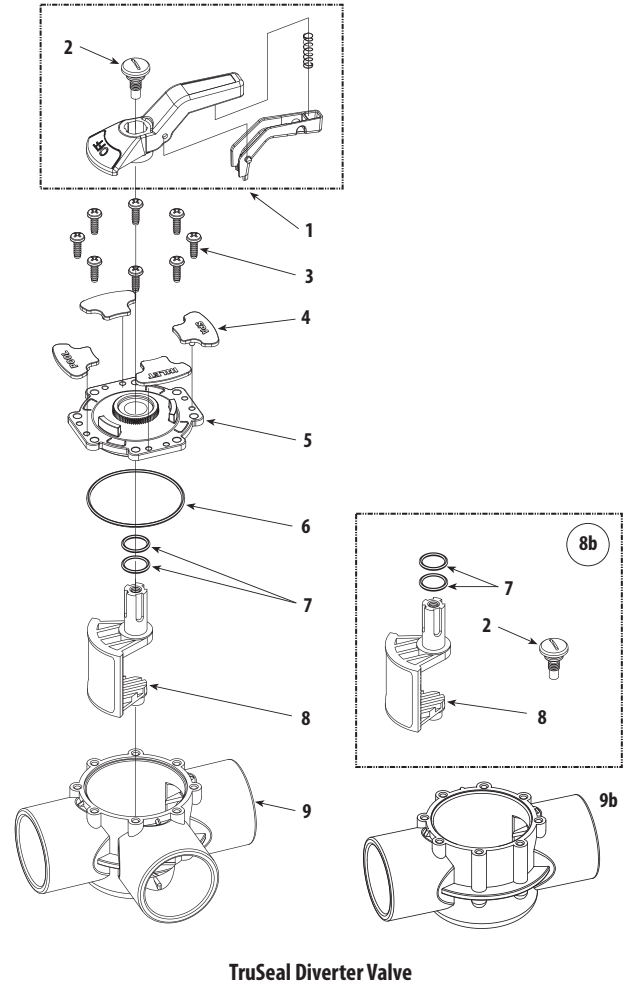
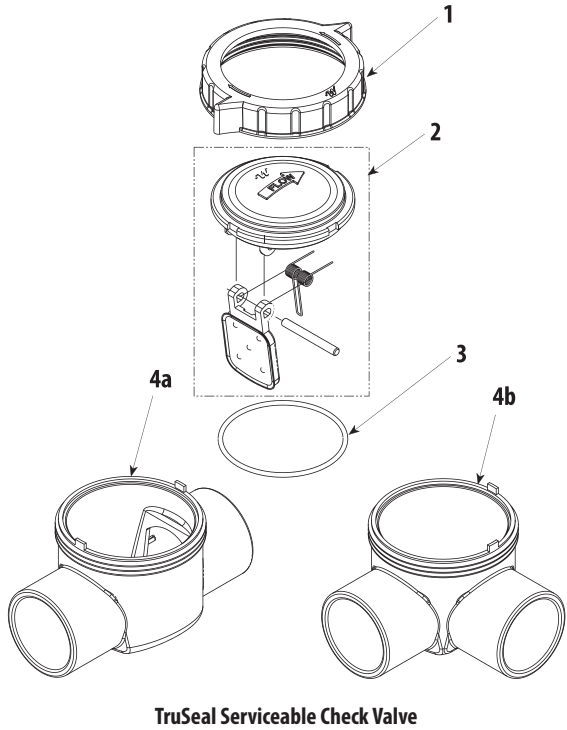
** Please request price quote.



Center Discharge Wet End Replacement Parts

Item	Part No.	Description
1	715-1201B	3/8" Quarter Slot Drain Plug
2	805-0112B	O-Ring - Pump Drain Plug
3	819-1110B	Screw #8-32
4	311-1110B	Faceplate - Spa Series
5	805-0252B	O-Ring - Faceplate
6	310-5120B	3/4 HP Impeller Assembly
	310-5130B	1 HP Impeller Assembly
	310-5140B	1 1/2 HP Impeller Assembly
	310-5200B	2 HP Impeller Assembly
7	319-3100B	Pump Seal Kit
8	315-1120B	Spa & Bath Volute
9	313-1400B	Slinger

** Please request price quote.



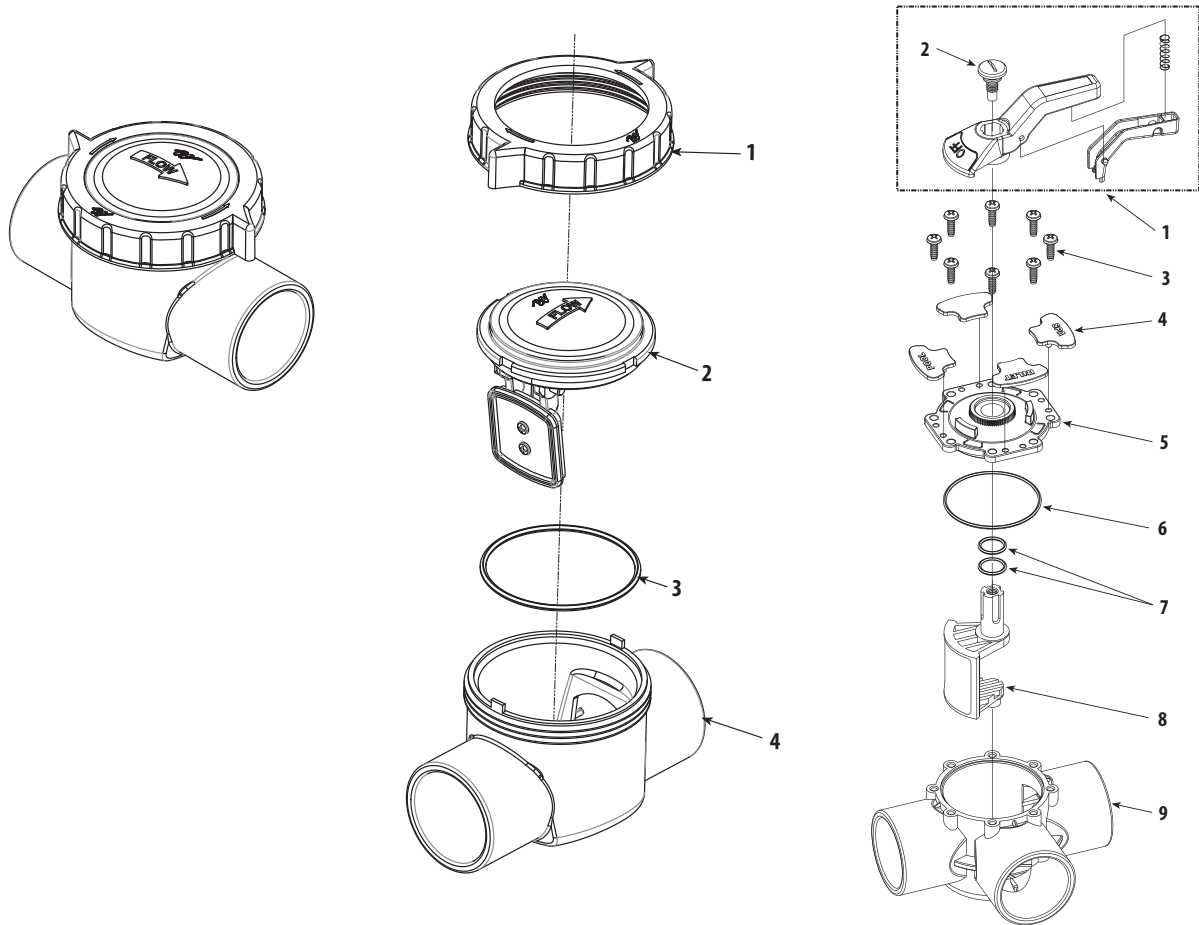
TruSeal Serviceable Check Valve Replacement Parts

Item	Part No.	Description
1	718-7027B	Nut
2	600-7300B	Lid Assembly
3	805-0239B	O-Ring - Lid
4a	602-7070B	Valve Body
4b	602-7000B	EII Valve Body

TruSeal Diverter Valve Replacement Parts

Item	Part No.	Description
1	600-7171B	Handle Assembly <i>(sold as Assembly Only)</i>
2	715-1307B	Screw - Handle
3	819-0025B	Screw - 14 & 3/4" Phil Pan.
4	600-7180B	Flow Label Assembly
5	602-7251B	Lid
6	805-0151B	O-Ring - Lid
7	805-0116EPB	O-Ring <i>(2 required per Valve)</i>
8	602-7140B	Diverter Arm
8b	600-7160B	Diverter Kit
9	602-7200B	Body
9b	602-7071B	Body Straight 1 1/2" spg
-	602-7011B	Body Straight 2 1/2" spg

** Please request price quote.



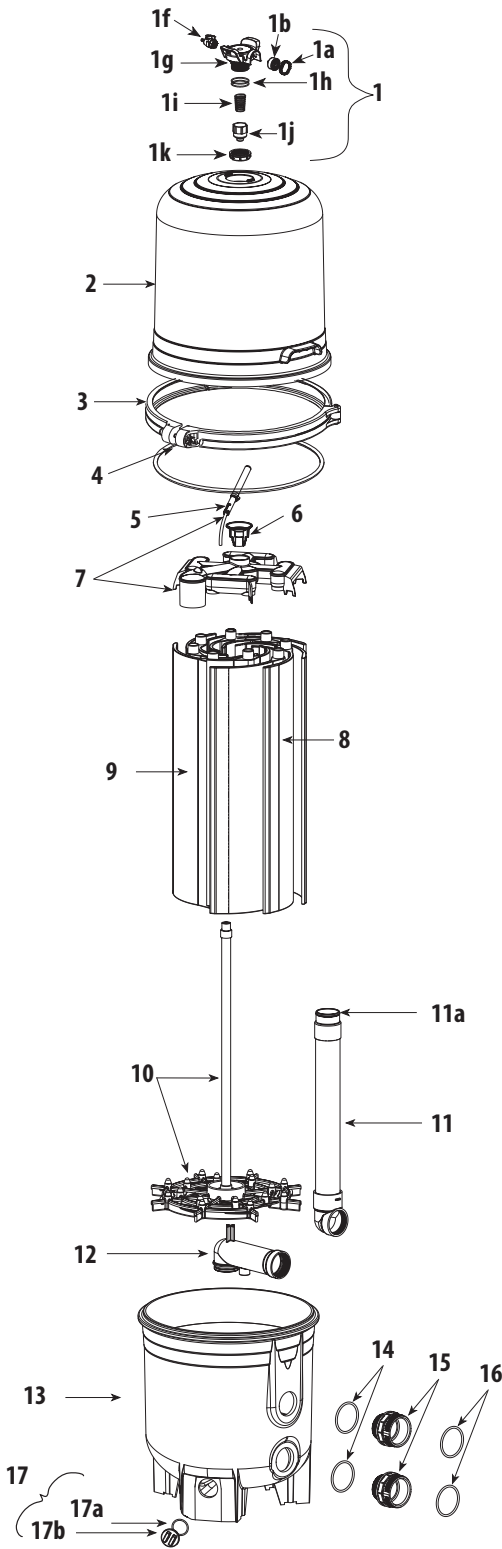
TruSeal 3" Check Valve Replacement Parts

Item	Part No.	Description
1	718-7031-CPVCB	Threading Nut
2	605-0111B	Lid and Flapper Assembly
3	805-0241B	O-Ring, #2-241, 3.859 I.D x 4.137 O.D. X .139 W
4	602-0121B	Body, Check Valve, 2.5 S/3" SPG x 2.5 S/3" SPG

TruSeal 3" Diverter Valve Replacement Parts

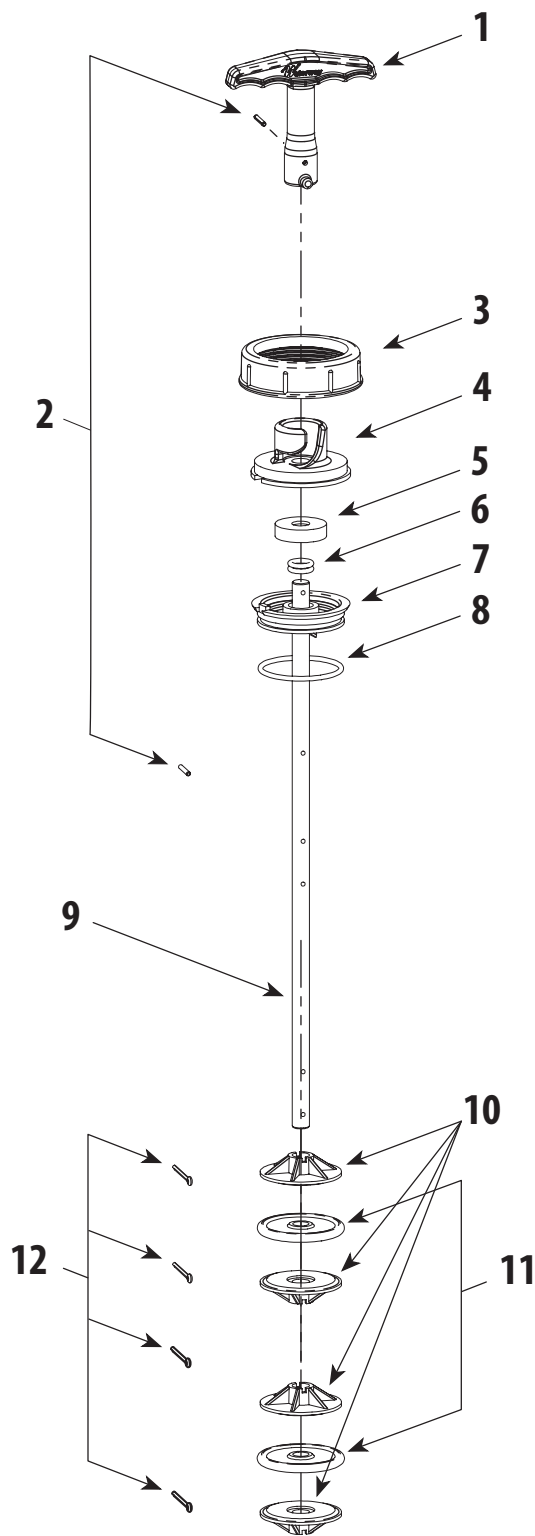
Item	Part No.	Description
1	602-7131	Handle Assembly <i>(sold as Assembly Only)</i>
2	715-1301	Screw - Handle
3	819-0025B	Screw - 14 & 3/4" Phil Pan.
4	600-7180B	Flow Label Assembly
5	602-0451	Lid
6	805-0241	O-Ring - Lid
7	805-0116EPB	O-Ring <i>(2 required per Valve)</i>
8	602-7140B	Diverter Arm
8b	600-7160B	Diverter Kit
9	602-0441	Body

Crystal Water D.E. Filter Replacement Parts



Item	Part No.	Description
1	550-6730	Pressure Relief Valve Assembly
1a	600-4101B	Bezel Assembly - Pressure Gauge
1b	830-4000SSB	Pressure Gauge
1f	550-4240B	Pressure Relief Screw with O-Ring
1g	602-4201B	Air Relief Valve Body w/Handle
1h	805-0414	O-Ring - Filter Handle (2 required)
1i	827-8150B	Spring - Water Bypass Valve
1j	519-4370B	Plunger
1k	718-4201B	Air Relief Valve Nut
2	550-4450B	Filter Lid with D.E. Crystal Water Filter Labels - 36 sq. ft.
	550-4430B	Filter Lid with D.E. Crystal Water Filter Labels - 48 sq. ft.
	550-4440B	Filter Lid with D.E. Crystal Water Filter Labels - 60 sq. ft.
3	550-4780B	Metal Clamp with Clamp Spring Assembly
4	805-0000B	O-Ring - Main Body
5	550-4320B	Air Relief Assembly
6	718-4320B	Manifold Nut
7	550-4200B	D.E. Manifold Assembly with Air Relief Assembly
--	550-4110B	D.E. Grid and Manifold Assembly with Air Relief Assembly - 36 sq. ft.
--	550-4120B	D.E. Grid and Manifold Assembly with Air Relief Assembly - 48 sq. ft.
--	550-4130B	D.E. Grid and Manifold Assembly with Air Relief Assembly - 60 sq. ft.
8	818-3940B	D.E. Short Grid with Mesh Assembly - 36 sq. ft.
	818-3900B	D.E. Short Grid with Mesh Assembly - 48 sq. ft.
	818-3920B	D.E. Short Grid with Mesh Assembly - 60 sq. ft.
9	818-3950B	D.E. Full Grid with Mesh Assembly - 36 sq. ft.
	818-3910B	D.E. Full Grid with Mesh Assembly - 48 sq. ft.
	818-3930B	D.E. Full Grid with Mesh Assembly - 60 sq. ft.
10	550-4380B	D.E. Grid Support Assembly with 20" PVC Shaft - 36 sq. ft.
	550-4310B	D.E. Grid Support Assembly with 26" PVC Shaft - 48 sq. ft.
	550-4350B	D.E. Grid Support Assembly with 32" PVC Shaft - 60 sq. ft.
11	550-4390B	2 1/2" Outlet Elbow Assembly - 36 sq. ft. D.E. Filter
	550-4220B	2 1/2" Outlet Elbow Assembly - 48 sq. ft. D.E. Filter
	550-4210B	2 1/2" Outlet Elbow Assembly - 60 sq. ft. D.E. Filter
	805-0145B	O-Ring - 2" Tailpiece
12	550-4410B	Long Elbow Fitting - 2 1/2" diameter
13	515-4207B	Filter Body Base
14	805-0339B	O-Ring (2 required)
15	419-4201B	2 1/2" Bulkhead Fitting (2 required)
16	711-4200B	2 1/2" Beveled Gasket (2 required)
17	400-6621B	Drain Assembly (<i>New Style</i>)
17a	805-0224B	Drain O-Ring (224) (<i>New Style</i>)
17b	715-6611B	Drain Plug - 1 1/2" MPT (<i>New Style</i>)
--	500-5310B	Drain Assembly (Plug, O-Rings, Base Fitting) (<i>Old Style 2 - not shown</i>)
--	400-6601B	Drain Plug with O-Ring (<i>Old Style 2 - not shown</i>)

Replacement Parts

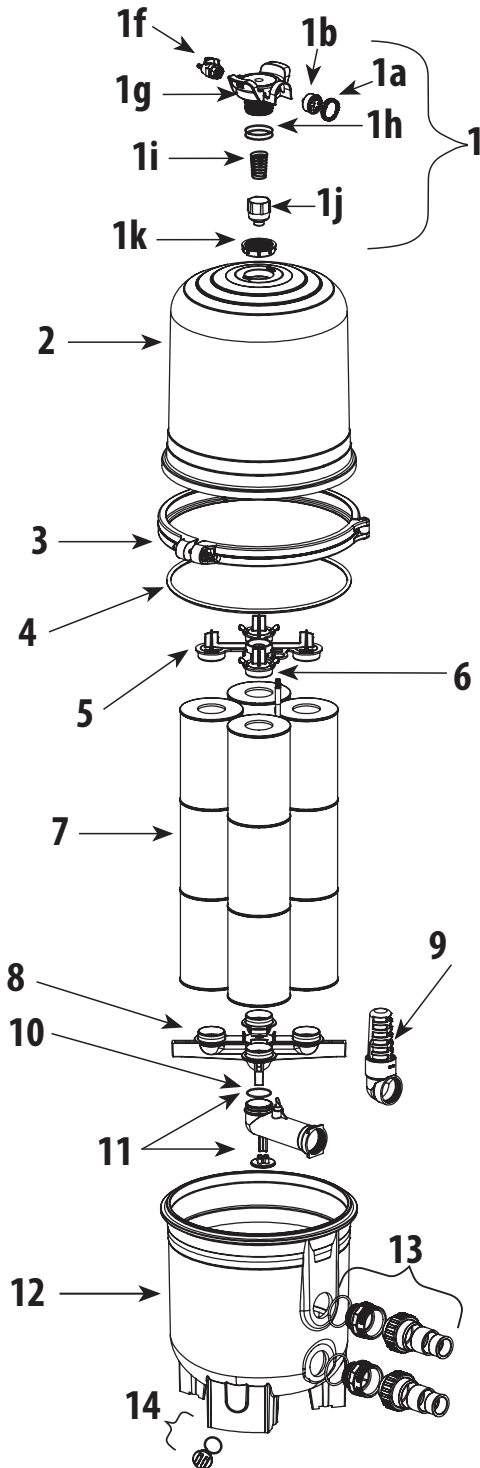


Slide Valve Internals Replacement Parts

Item	Part No.	Description
1	505-1010B	Handle
2	802-0009B	Split Pin - Qty. 2
3	415-5091-CPVCB	2" Nut
4	505-1020B	Indexing Cap
5	505-1040B	O-Ring Cap
6	805-0206B	New O-Ring
7	505-1030B	Washer
8	805-0228B	New O-Ring
9	820-1050B	Piston Rod
10	505-1060B	Piston O-Ring Housing - Qty. 4
11	806-1000B	Gasket O-Ring - Qty. 2
12	802-1050B	1/8" Cotter Pin, 1.5" Long - Qty. 4

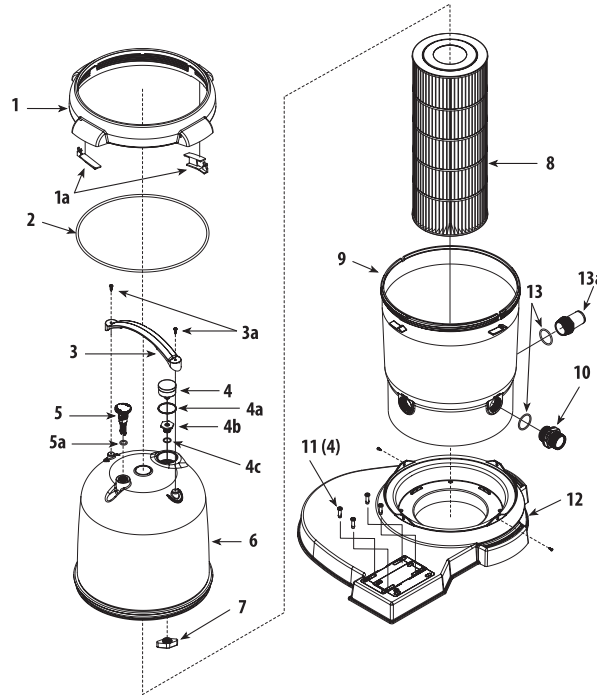
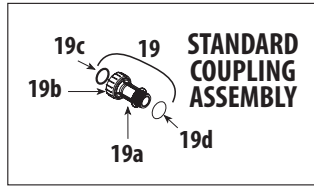
** Please request price quote.

Crystal Water Cartridge Filter Replacement Parts



Item	Part No.	Description
1	550-6730	Pressure Relief Valve Assembly
1a	600-4101B	Bezel Assembly - Pressure Gauge
1b	830-4000SB	Pressure Gauge
1f	550-4240B	Pressure Relief Screw with O-Ring
1g	602-4201B	Air Relief Valve Body Handle
1h	805-0414	O-Ring - Handle (2 required)
1i	827-8150B	Spring - Water Bypass Valve
1j	519-4370B	Plunger
1k	718-4201B	Air Relief Valve Nut
2	550-4460B	Filter Lid with Cartridge Crystal Water Filter Labels - 325 sq. ft.
	550-4470B	Filter Lid with Cartridge Crystal Water Filter Labels - 425 sq. ft.
	550-4480B	Filter Lid with Cartridge Crystal Water Filter Labels - 525 sq. ft.
3	550-4780B	Metal Clamp with Clamp Spring Assembly
4	805-0000B	O-Ring - Main Body
6	519-4320B	Cartridge Manifold Plug
6	550-4370B	Air Relief Assembly with Tube - 325 sq. ft.
	550-4340B	Air Relief Assembly with Tube - 425 sq. ft.
	550-4330B	Air Relief Assembly with Tube - 525 sq. ft.
7	817-0081B	Cartridge - 325 sq. ft. - 7" OD x 20" L (4 required)
	817-0106B	Cartridge - 425 sq. ft. - 7" OD x 26 1/8" L (4 required)
	817-0131B	Cartridge - 525 sq. ft. - 7" OD x 32 1/8" L (4 required)
8	550-4300B	Cartridge Manifold Assembly
9	550-4500B	Intake Diffuser Assembly
10	805-0230B	O-Ring
11	550-4360B	Long Elbow with Venturi Air Bleeder and O-Ring
12	550-4400B	Filter Body with Labels
13	400-9974B	Fittings Pack - Fitting Nuts, O-Ring, 2 1/2" to 2" Reducers
	421-4071B	Reducer - 2" to 1 1/2"
	421-4201B	Reducer - 2 1/2" to 2"
	415-6001B	2 1/2" Union Nut (2 required)
	417-2201B	2 1/2" Tailpiece with Piston O-Ring Groove (2 required)
	805-0232B	O-Ring - 2 1/2" Union (4 required - 2 for each Bulkhead)
	419-4201B	2 1/2" Bulkhead Coupler (2 required)
	805-0339B	O-Ring (2 required)
	711-4200B	2 1/2" Beveled Gasket (2 required)
14	400-6621B	Drain Assembly (<i>New Style</i>)
	805-0224B	Drain O-Ring (224) (<i>New Style</i>)
	715-6611B	Drain Plug - 1 1/2" MPT (<i>New Style</i>)
--	500-5310B	Drain Assembly (Plug, O-Rings, Base Fitting) (<i>Old Style 2 - not shown</i>)
--	400-6601B	Drain Plug with O-Ring (<i>Old Style 2 - not shown</i>)
--	400-6610B	Drain Elbow Assembly (<i>Old Style 1 - not shown</i>)

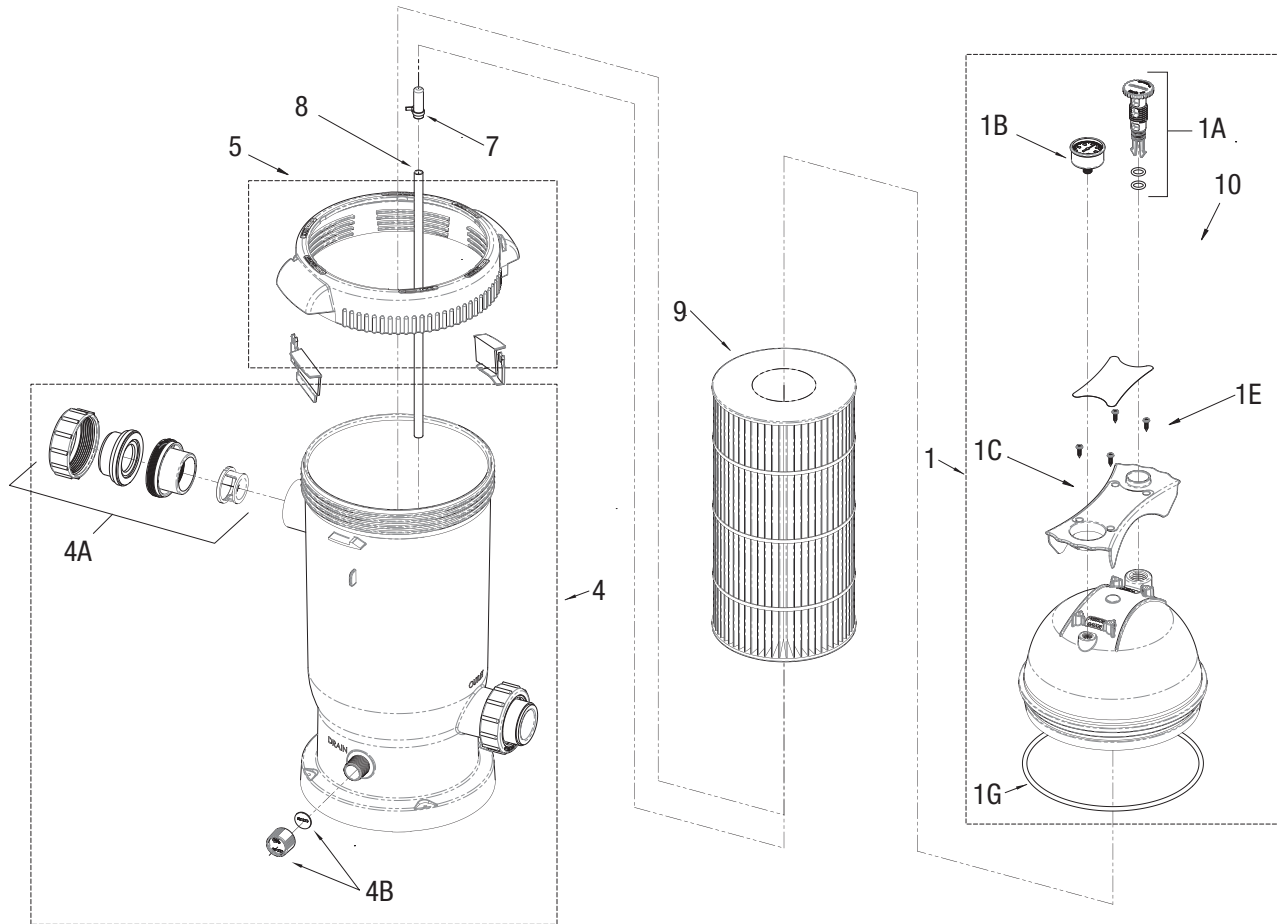
** Please request price quote.



ClearWater II Cartridge Filter Replacement Parts

Item	Part No.	Description
1	550-7500B	Filter Locknut Assembly
1a	519-7420B	Lock Tab - Clearwater II Filter - Extended Arms
2	805-0460B	O-Ring - Lid
3	519-7601B	Handle - Lid
3a	819-9002B	Screw #12 x 3/4" Stainless Steel Phillips Head
4	830-4000SSB	Pressure Gauge
4a	805-0136B	O-Ring - Air Relief
4b	519-7431B	Pressure Gauge Adapter
4c	805-0116EPB	O-Ring - Adapter
5	602-0201B	Air Relief Knob
5a	805-0207B	O-Ring - Air Relief Valve
6	519-7410B	Lid Assembly (<i>Small</i>)
	519-7400B	Lid Assembly (<i>Large</i>)
7	519-7441B	Gauge Lock-Nut
8	817-0075PB	Filter Cartridge - 75 sq. ft. - 8 1/8" OD x 17 3/8" L
	817-0100PB	Filter Cartridge - 100 sq. ft. - 8 1/8" OD x 17 3/8" L
	817-0125NB	Filter Cartridge - 125 sq. ft. - 8 1/8" OD x 23 5/8" L
	817-0150NB	Filter Cartridge - 150 sq. ft. - 8 1/8" OD x 23 5/8" L
	817-0200NB	Filter Cartridge - 200 sq. ft. - 8 1/8" OD x 23 5/8" L
9	515-7250B	Filter Body
10	500-5300B	Drain Assembly
11	429-7221B	Snap Pin Base Fasteners (4 required)
12	672-7401B	ClearWater II Base
13	805-0224B	O-Ring
13a	417-6241B	Hose Adapter - 1-1/2" MPT x 1-1/2" hose
--	519-7470B	Lid Removal Tool
19	419-7251	Standard Base Coupling Assembly
19a	419-7241	Standard Coupling
19b	415-5001	2" Union Nut
19c	711-4010	2" Union Gasket
19d	805-0224	O-Ring - Coupling

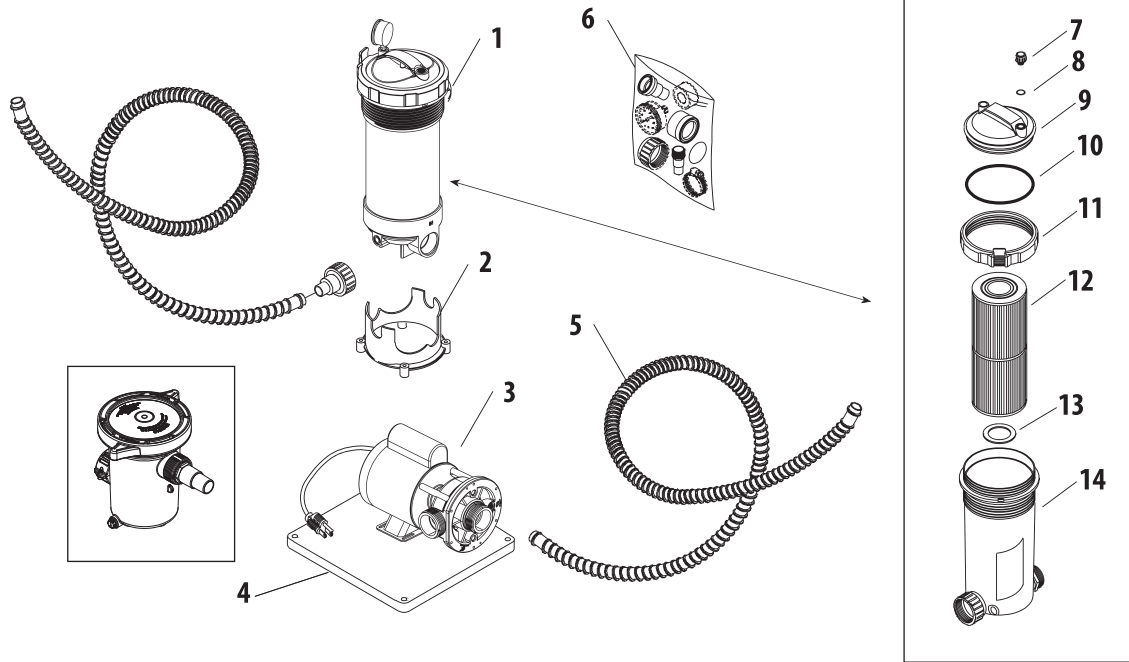
** Please request price quote.



ProClean Plus Cartridge Filter Replacement Parts

Item	Part No.	Description
1	550-0611	Filter Lid & Handle Assembly – 75 - 100 sq. ft. (includes #1A - 1G)
	550-0621	Filter Lid & Handle Assembly – 125 - 150 sq. ft. (includes #1A - 1G)
	550-0631	Filter Lid & Handle Assembly – 175 - 200 sq. ft. (includes #1A - 1G)
1a	600-0220	ProClean Plus Air Relief Valve w/ O-Ring
4	550-0601B	Filter Body & Lock ring Assy (includes #4A-4B)
4a	400-5961-2B	2 ½" Union with 2" S TP with Gasket & Reducer for ProClean
4b	550-0260	ProClean Plus Drain Cap with Gasket Assembly
5	550-0701B	Lock Ring Assembly
7	500-7310B	Screen/Sock with Clamp Assy
8	872-4000EB	Air Bleed Tube - 75 / 100 sq. ft.
	872-4000LB	Air Bleed Tube - 125 / 150 sq. ft.
	872-4000FB	Air Bleed Tube - 175 / 200 sq. ft.
9	817-0075NB	Filter Cartridge - 75 sq. ft.
	817-0100NB	Filter Cartridge - 100 sq. ft.
	817-0125NB	Filter Cartridge - 125 sq. ft.
	817-0150NB	Filter Cartridge - 150 sq. ft.
	817-0175NB	Filter Cartridge - 175 sq. ft.
	817-0200NB	Filter Cartridge - 200 sq. ft.

** Please request price quote.



TWM Filter Cartridge Package Replacement Parts

Item	Part No.	Description
1	500-2515B	Top Load Filter with Union - 25 sq. ft.
	500-5015B	Top Load Filter with Union - 50 sq. ft.
2	672-1051B	Filter Mount Base
3	--	Pump (see Center Discharge Pumps, page 19)
4	672-1010B	Base - 1" x 14 1/2" x 15"
5	872-9002B	Corrugated Hose - 1 1/2" x 6 ft.
6	400-9900B	Fittings Package (see below for package contents)
7	715-1001B	Air Relief Plug
8	805-0114B	O-Ring - Air Relief Plug
9	550-5100DB	Top Load Filter Lid Assembly with Plugs and O-Rings
10	805-0360B	O-Ring - Top Load Filter Lid
11	500-1000B	Lock Ring Assembly
12	817-5000B	Top Load Filter Cartridge - 50 sq. ft. - 4 1/8" OD x 13 3/8" L
	817-2500B	Top Load Filter Cartridge - 25 sq. ft. - 4 1/8" OD x 13 3/8" L
13	711-1010B	Spacer Ring
14	550-2515B	Filter Body Assembly - 25 & 50 sq. ft.
15	310-5400B	6" Leaf Trap 1 1/2" x 1 1/2"

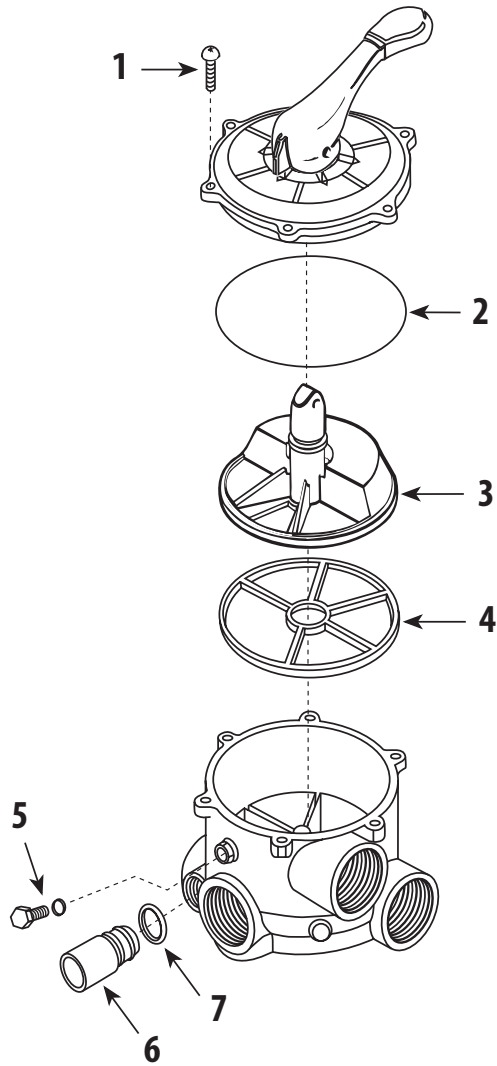
Fittings Package Contents (Item 6)

Item	Part No.	Description
--	830-3000B	Pressure Gauge
--	872-0011B	2 1/2" Hose Clamp (4 required)
--	902-2000B	Teflon Tape - 1/2" x 260" roll
--	417-4001B	Tailpiece - 1 1/2" S
--	417-6041B	Hose Adapter Fitting - 1 1/2" TP - 1 1/2" x 1 1/4" H
--	415-4001B	1 1/2" Union Nut
--	805-0226B	O-Ring (2 required)
--	417-6061B	Hose Adapter Fitting - 1 1/2" MPT x 1 1/4" Hose

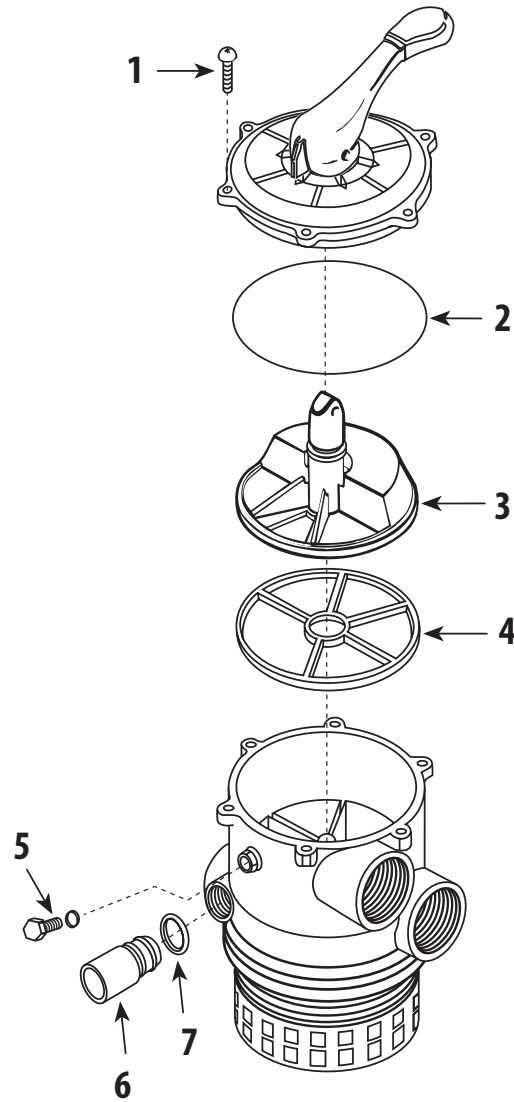
** Please request price quote.



SIDE MOUNT



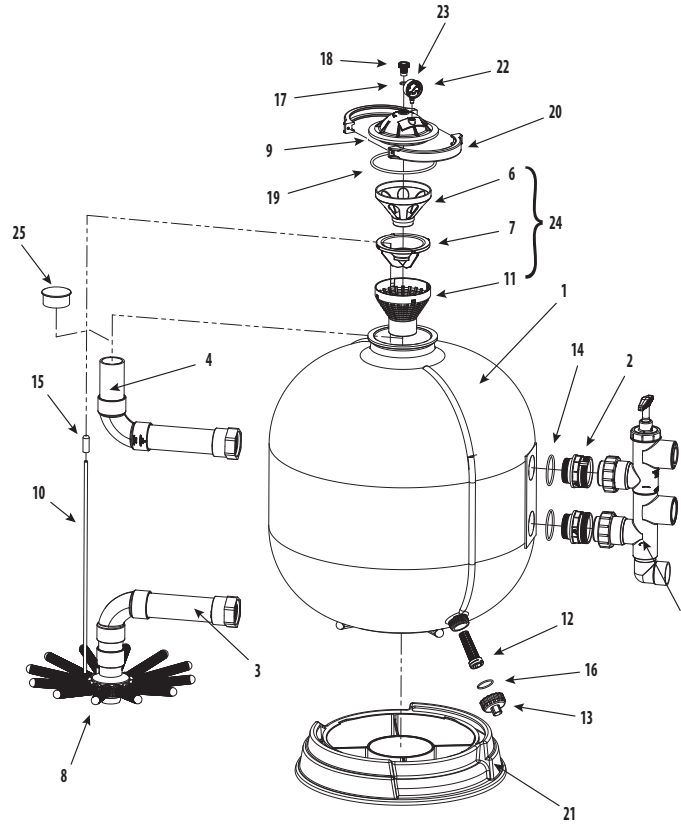
TOP MOUNT



SmartClean Sand and Crystal Water D.E. Multi-Port Valve Replacement Parts

Item	Part No.	Description	Valve Size
1	819-0010B	Screw	1 1/2" and 2"
2	873-E7S2B	O-Ring - Cover	1 1/2"
	805-0254B	O-Ring - Cover	2"
3	602-1910B	Diverter (Noryl)	1 1/2"
	873-E1011S2B	Diverter (Noryl)	2"
4	873-E12S1B	Spider Gasket (T.P.E.)	1 1/2"
	873-E12S2B	Spider Gasket (T.P.E.)	2"
5	873-E15S1B	1/4" Plug	1 1/2" and 2"
6	873-E17S1B	Sight Glass (Lexan)	1 1/2" and 2"
7	873-E16S1B	Sight Glass Gasket	1 1/2" and 2"

** Please request price quote.



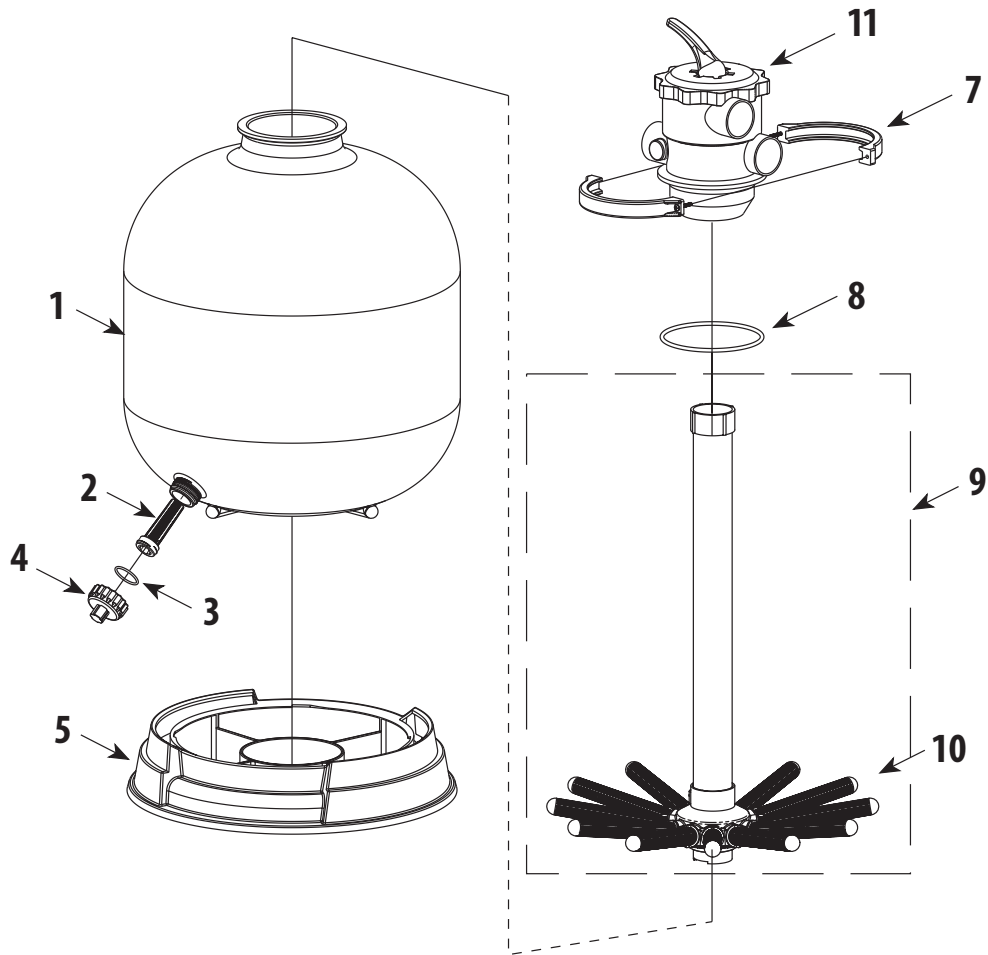
UltraClean Pro Sand Filter Replacement Parts

Item	Part No.	Description
1	515-2041TB	26" Sand Filter Body
2	419-4201B	2 1/2" Threaded Coupler (2 required)
3	550-5410B	2 1/2" Outlet Assembly
4	550-5420B	2 1/2" Inlet Assembly
5	600-1500UCPB	2 1/2" Slide Valve Assembly
6	519-5310B	Sand Fill Guide
7	519-5320B	Diffuser Disbursement Basket Cap
8	519-5370B	Twist-Lock Lateral (12 required)
9	519-5301B	Access Dome Cover
10	872-2130DB	Tubing - 3/8" outer diameter x 32" height
11	519-5330SCB	Diffuser Disbursement Basket
12	602-5310B	Self-Threading Drain Screen
13	602-5301B	Drain Screen Cap (2010 and earlier)
	602-5321B	Drain Screen Cap (new style - 2011)
14	805-0339BN50B	O-Ring (2 required)
15	817-0001B	2" Polyester Sock
16	805-0224B	O-Ring - Drain Screen Cap
17	805-0116EPB	O-Ring
18	715-6011B	Air Bleeder Plug
19	805-0442B	O-Ring - Access Dome Cover
20	872-0046B	Multi-Port Valve Clamp Kit with Nuts & Bolts
21	672-5301B	Filter Base
22	830-3000B	Pressure Gauge
23	600-4101B	Bezel Cover Assembly
24	550-5430B	Basket Assembly
25	519-5421B	Sand Fill Cap

** Please request price quote.



SmartClean Sand Filter - Top Mount (Discontinued 2015)



SmartClean Sand Filter - Top Mount Replacement Parts

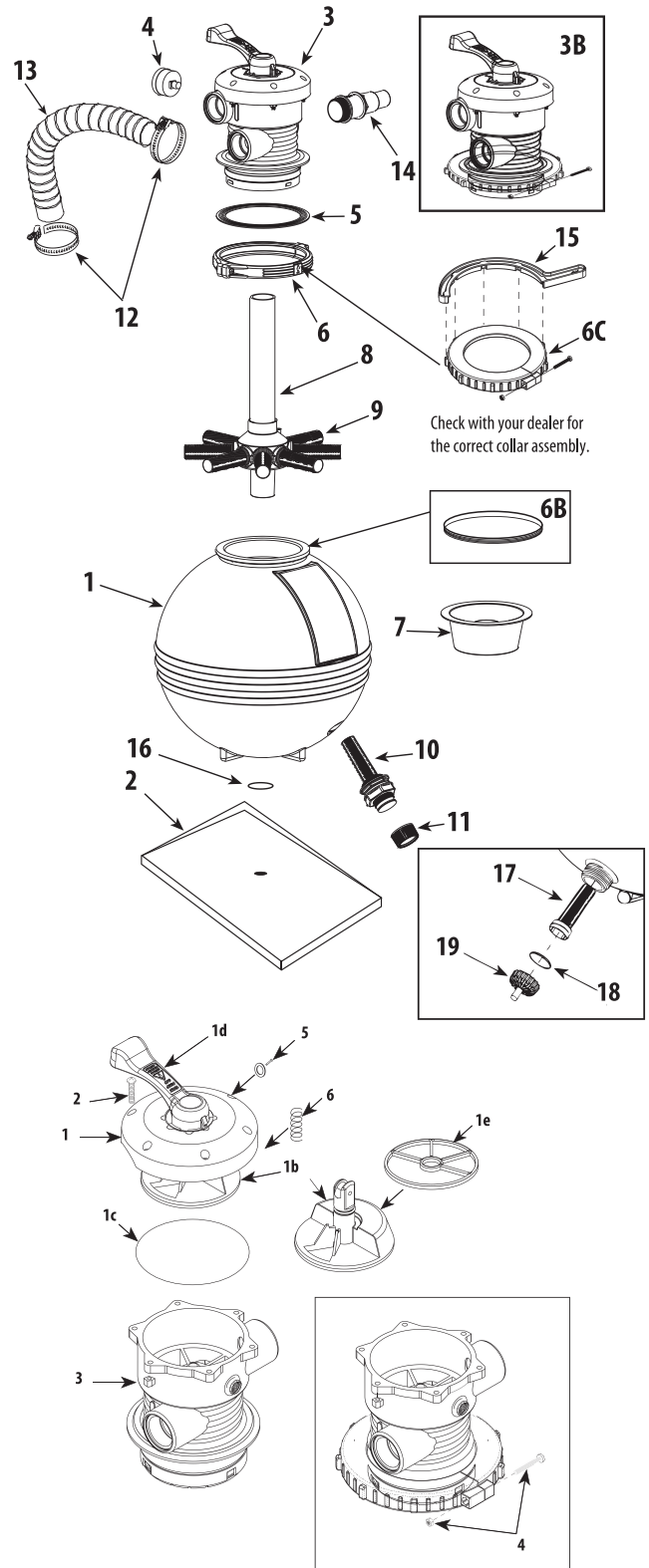
Item	Part No.	Description
1	515-2041TB	26" SmartClean Sand Filter Body
2	602-5310B	Self-Threading Drain Screen
3	711-5310B	Drain Cap Gasket
4	602-5301B	Drain Screen Cap (2010 and earlier)
	602-5321B	Drain Screen Cap (new style - 2011)
5	672-5301B	SmartClean Sand Filter Base
7	872-0046B	Multi-Port Valve Clamp Kit with Nuts & Bolts
8	805-0442B	O-Ring - Multi-Port Valve
9	550-5340B	Top Mount Lateral and Manifold Assembly - 26"
	550-5370B	Top Mount Lateral and Manifold Assembly - 32"
10	519-5370B	Lateral
11	WVS004B	Top Mount Clamp Style - 2" FPT

** Please request price quote.



TWM Sand Filter Replacement Parts

Item	Part No.	Description
1	505-0161B	16" Sand Filter Body with Threaded Sleeve Assembly
	505-0191B	19" Sand Filter Body with Threaded Sleeve Assembly
	505-0221B	22" Sand Filter Body with Threaded Sleeve Assembly
	505-0261B	26" Sand Filter Body with Threaded Sleeve Assembly
2	672-1000B	Equipment Base - 1" x 15 1/4" x 26 1/4"
3	WVS002B	1 1/2" Multi-Port Valve Assembly - Clamp Style (2001 and Earlier)
3B	WVS003B	1 1/2" Multi-Port Valve Assembly with Split-Nut (2002 to Present)
4	830-3000B	Pressure Gauge
5	711-1920B	Collar Gasket (use with Clamp Style)
6	505-2070B	Collar Assembly - Old Style (2001 and Earlier)
6B	505-3000B	Threaded Sleeve Assembly
6C	505-3010B	Multi-Port Valve Split-Nut Assembly
7	502-2011B	Sand Fill Guide
8	505-2040B	Lateral & Manifold Assembly - 16" Filter
	505-2050B	Lateral & Manifold Assembly - 19" Filter
	505-2060B	Lateral & Manifold Assembly - 22" Filter
	505-2080B	Lateral & Manifold Assembly - 26" Filter
9	505-1930B	Lateral - Threaded Style (2001 and Earlier)
	505-1950B	Lateral - Twist-Lock Style (2003 to Present)
10	505-2020B	Drain Assembly 2004 and earlier
11	505-2030B	Drain Cap Assembly 2004 and earlier
12	872-0011B	Hose Clamp - Stainless Steel - 2 1/2"
13	872-9002B	Corrugated Hose - Black - 1 1/2" x 6 ft. (2 required)
	872-9001B	Corrugated Hose - Black - 1 1/2" x 3 ft. (1 required)
14	425-1928B	Waste Adapter Fitting
15	505-1970B	Collar Wrench for Split-Nut Threaded Style (optional)
16	218-6680B	Washer
17	602-5310B	Self-Threading Drain Screen
18	805-0224B	O-Ring - 1 1/2" Heater Tailpiece
19	602-5321B	Drain Screen Cap (new style - 2001)

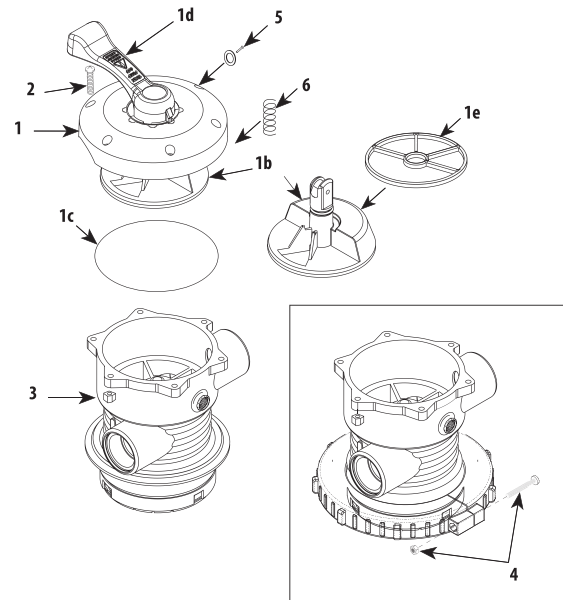
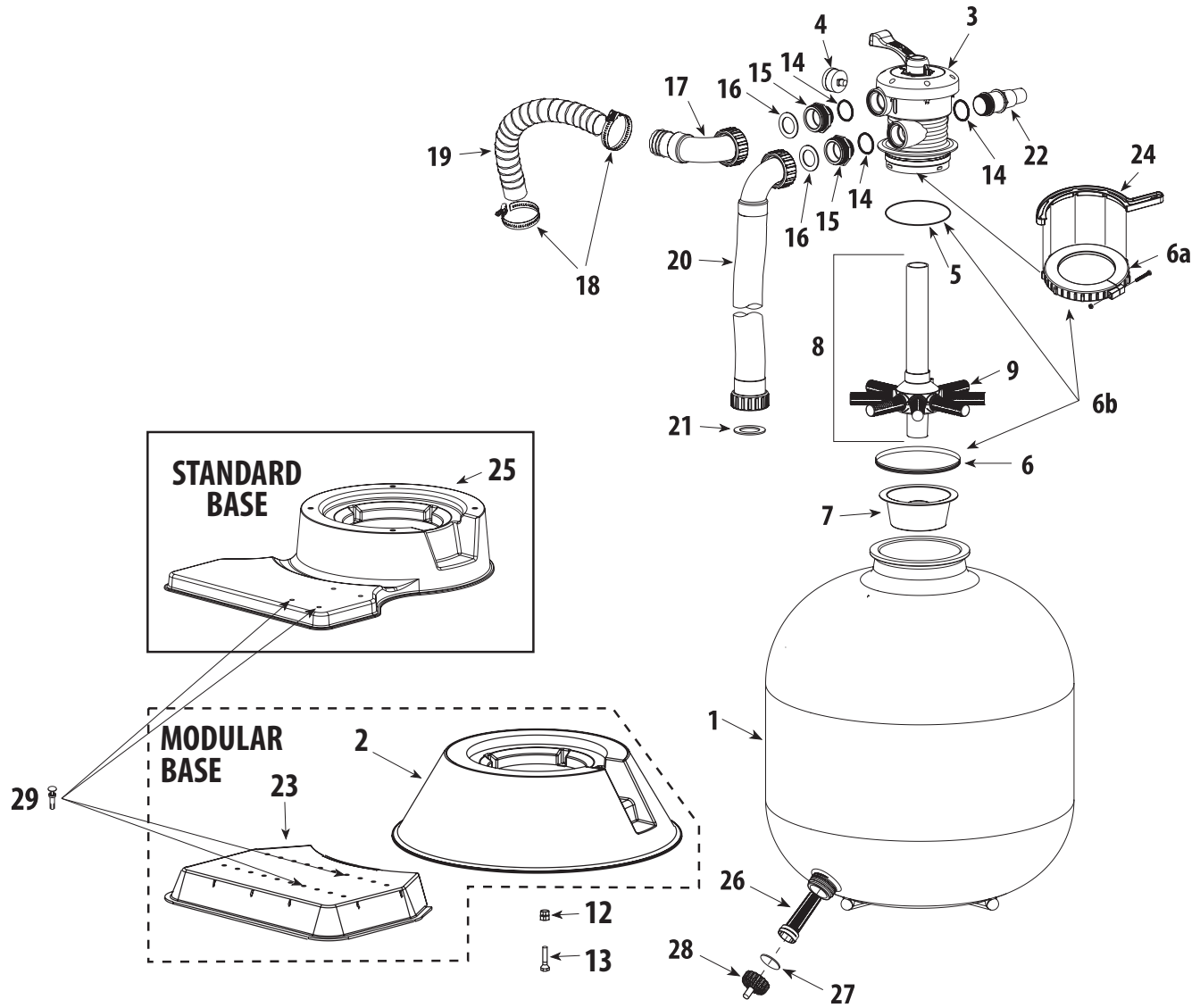


Multi-Port Valve Assembly Replacement Parts

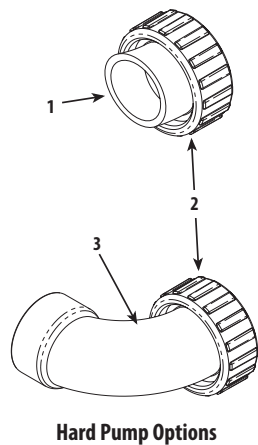
Item	Part No.	Description
1	600-9600B	Multi-Port Lid Assembly
1b	600-9500B	Diverter Valve Assembly
1c	805-0254B	O-Ring - Lid
1d	602-1931B	Lid Handle Only
1e	711-1910B	Diverter Gasket (Spider) (Note: purchasing gasket glued into diverter by factory recommended)
2	819-0010B	Lid Screw
3	820-0013B	Serrated Hex Nut
4	800-0100B	1 1/2" Split-Nut Bolt and Nut Kit
5	800-0150B	O-Ring Kit with Pin and Washer
6	827-0002B	Spring

** Please request price quote.

Multi-Port Valve Assembly



Multi-Port Valve Assembly



Hard Pump Options



Carefree Sand Filter Replacement Parts

Item	Part No.	Description
1	505-0271B	16" Oval Sand Filter Body with Threaded Sleeve Assembly
	505-0281B	19" Oval Sand Filter Body with Threaded Sleeve Assembly
	505-0291B	22" Oval Sand Filter Body with Threaded Sleeve Assembly
	505-0301B	26" Oval Sand Filter Body with Threaded Sleeve Assembly
2	672-7211B	Modular Filter Base
3	WVS003B	1 1/2" Multi-Port Valve Assembly - Split-Nut
4	830-3000B	Pressure Gauge
5	805-0435B	O-Ring - Multi-Port Valve
6	505-3000B	Threaded Sleeve Assembly
6a	505-3010B	Split-Nut Assembly - Multi-Port Valve
6b	505-3020B	Split-Nut Assembly - Multi-Port Valve with Thread Sleeve and O-Ring
7	502-2011B	Sand Fill Guide
8	505-2140B	Lateral and Manifold Assembly - 16" Filter
	505-2150B	Lateral and Manifold Assembly - 19" Filter
	505-2160B	Lateral and Manifold Assembly - 22" Filter
	505-2180B	Lateral and Manifold Assembly - 26" Filter
9	505-1930B	Lateral - Thread Style (8 required)
	519-5370B	Lateral - 22" and 26" Sand Filter (12 required)
10	505-2020B	Drain Assembly (2004 and earlier)
11	505-2030B	Drain Cap Assembly (2004 and earlier)
12	820-0017B	3/8" Flat Washer
13	819-0016B	3/8" Bolt - 16 x 2" Hex - 22" & 26" Sand Filter
	819-0019B	3/8" Bolt - 16 x 1 1/2" Hex - 19" Sand Filter
	819-0020B	3/8" Bolt - 16 x 1 1/4" Hex - 16" Sand Filter
14	805-0224B	O-Ring - 1 1/2" Buttress x 1 1/2" MPT Fitting
15	417-4161B	1 1/2" Buttress x 1 1/2" MPT Tailpiece
16	711-4000B	1 1/2" Union Gasket
17	550-1841B	Return Sweep Assembly
18	872-0011B	Hose Clamp - Stainless Steel - 2 1/2"
19	872-9002B	Corrugated Hose - Black - 1 1/2" x 6 ft.
20	550-1821B	PVC Flex Hose Assembly - 19" Sand Filter
	550-1831B	PVC Flex Hose Assembly - 22" Sand Filter
	550-1833B	PVC Flex Hose Assembly - 26" Sand Filter
21	711-4010B	2" Union Gasket
22	425-1928B	Waste Adapter Fitting
23	672-7201B	Pump Base
24	505-1970B	Collar Wrench for Threaded Style Split-Nut
25	672-7241B	Standard One-Piece Base
26	602-5310B	Self-Threading Drain Screen
27	805-0224B	O-Ring - 1 1/2" Heater Tailpiece
28	602-5301B	Drain Screen Cap (2010 and earlier)
	602-5321B	Drain Screen Cap (new style - 2001)
29	429-7300B	Replacement Kit Pin and Anchor Assembly (4 required)

Multi-Port Valve Assembly Replacement Parts

1	600-9600B	Multi-Port Lid Assembly
1b	600-9500B	Diverter Valve Assembly with Gasket
1c	805-0254B	O-Ring - Lid
1d	602-1931B	Lid Handle Only
1e	711-1910B	Diverter Gasket (Spider) <i>(Note: purchasing gasket glued into diverter by factory recommended)</i>
2	819-0010B	Screw - Lid
3	820-0013B	Serrated Hex Nut
4	800-0100B	1 1/2" Split-Nut Bolt & Nut Kit
5	800-0150B	O-Ring Kit with Pin & Washer
6	827-0002B	Spring

Hard Pump Options

1	400-4061B	1 1/2" Socket Pump Union Assembly
2	415-4001B	1 1/2" Union Nut
3	500-1901B	1 1/2" Socket Return Sweep Assembly

** Please request price quote.



ClearWater Sand Filter Replacement Parts

Item	Part No.	Description
1	505-0161B	16" Sand Filter Body with Threaded Sleeve Assembly
	505-0191B	19" Sand Filter Body with Threaded Sleeve Assembly
	505-0221B	22" Sand Filter Body with Threaded Sleeve Assembly
	505-0261B	26" Sand Filter Body with Threaded Sleeve Assembly
2	672-7211B	Modular Filter Base
3	WVS002B	Multi-Port Valve Assembly - Clamp Style (2001 and Earlier)
3b	WVS003B	Multi-Port Valve Assembly - Split-Nut Style (2002 to Present)
4	830-3000B	Pressure Gauge
5	711-1920B	Collar Gasket (for Clamp Style) (2001 and Earlier)
5b	805-0435B	O-Ring - Multi-Port Valve (for Split-Nut Style)
6	505-2070B	Collar Assembly - Clamp Style (2001 and Earlier)
6b	505-3000B	Threaded Sleeve Assembly (2002 to Present)
6c	505-3010B	Split-Nut Assembly (included with WVS003)
7	502-2011B	Sand Fill Guide
8	505-2040B	Lateral and Manifold Assembly - 16" Filter
	505-2050B	Lateral and Manifold Assembly - 19" Filter
	505-2060B	Lateral and Manifold Assembly - 22" Filter
	505-2080B	Lateral and Manifold Assembly - 26" Filter
8a	505-2240-RB	Manifold Only - 16" Filter
	505-2250-RB	Manifold Only - 19" Filter
	505-2260-RB	Manifold Only - 22" Filter
9	505-1930B	Lateral - Thread Style (2003 and Earlier)
	505-1950B	Lateral - Twist-Lock Style (2004)
10	505-2020B	Drain Assembly (2004 and earlier)
11	505-2030B	Drain Cap Assembly (2004 and earlier)
11a	602-5321B	Drain Screen Cap (new style - 2001)
12	820-0017B	$\frac{3}{8}$ " Flat Washer
13	819-0016B	$\frac{3}{8}$ " Bolt -16 x 2" Hex - 22" & 26" Sand Filter
	819-0019B	$\frac{3}{8}$ " Bolt -16 x 1 1/2" Hex - 19" Sand Filter
	819-0020B	$\frac{3}{8}$ " Bolt -16 x 1 1/4" Hex - 16" Sand Filter
14	805-0224B	O-Ring - 1 1/2" Buttress x 1 1/2" MPT Fitting
15	417-4161B	1 1/2" Buttress x 1 1/2" MPT Tailpiece
16	711-4000B	1 1/2" Union Gasket
17	550-1841B	Return Sweep Assembly
18	872-0011B	Hose Clamp - Stainless Steel
19	872-9002B	Corrugated Hose - Black - 1 1/2" x 6 ft.
20	550-1801B	PVC Flex Hose Assembly - 16" Sand Filter
	550-1811B	PVC Flex Hose Assembly - 19" Sand Filter
	550-1821B	PVC Flex Hose Assembly - 22" Sand Filter
	550-1831B	PVC Flex Hose Assembly - 26" Sand Filter
21	711-4010B	2" Union Gasket
22	425-1928B	Waste Adapter Fitting
23	672-7201B	Pump Base
24	505-1970B	Collar Wrench for Split-Nut Threaded Style
25	672-7241B	Standard One-Piece Base
26	429-7300B	Replacement Kit Pin and Anchor Assembly (4 required)

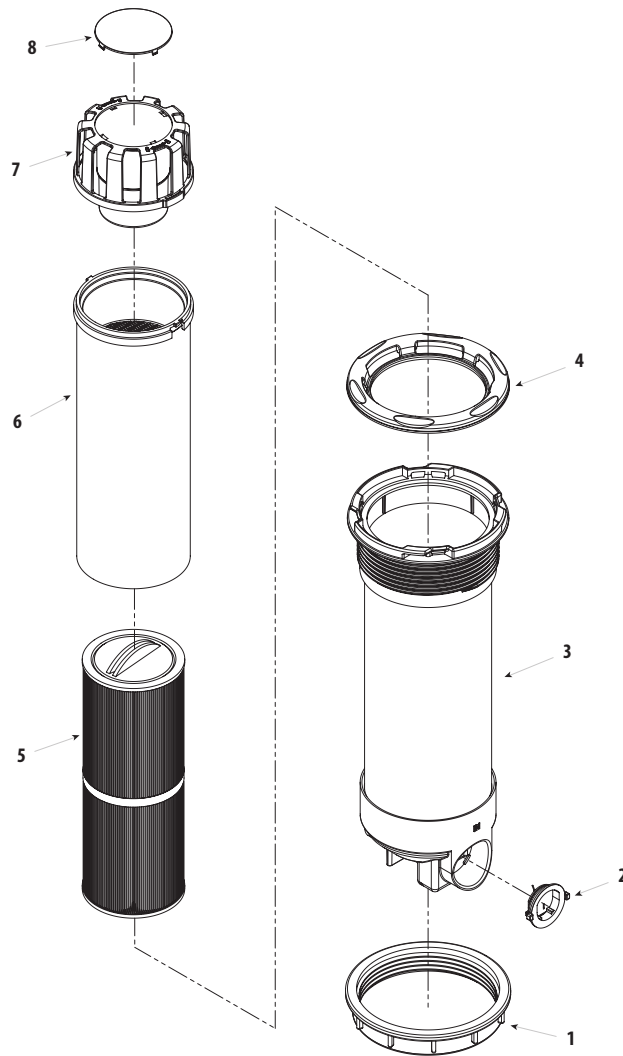
Multi-Port Valve Assembly Replacement Parts

1	600-9600B	Multi-Port Lid Assembly
1b	600-9500B	Diverter Valve Assembly with Gasket
1c	805-0254B	O-Ring - Lid
1d	602-1931B	Lid Handle Only
1e	711-1910B	Diverter Gasket (Spider) (Note: purchasing gasket glued into diverter by factory recommended)
2	819-0010B	Lid Screw
3	820-0013B	Serrated Hex Nut
4	800-0100B	Split-Nut Bolt and Nut Kit
5	800-0150B	O-Ring Kit with Pin and Washer
6	827-0002B	Spring

Hard Pump Options

1	400-4061B	1 1/2" Socket Pump Union Assembly
2	415-4001B	1 1/2" Union Nut
3	500-1901B	1 1/2" Socket Return Sweep Assembly

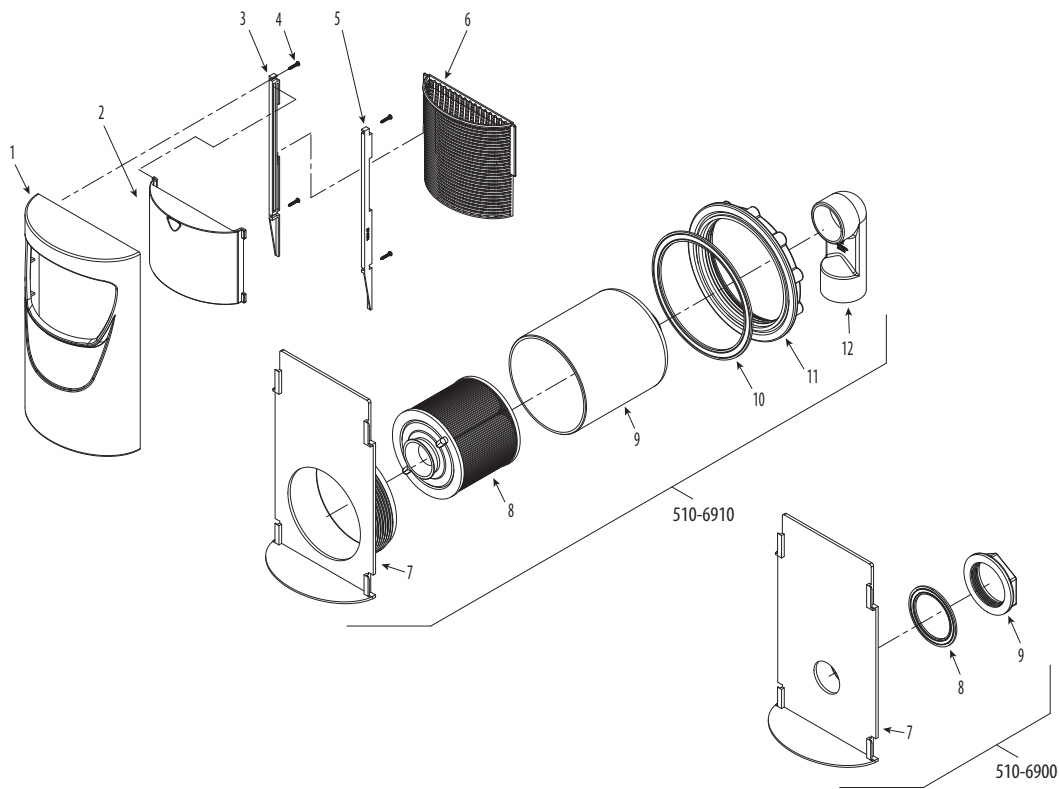
** Please request price quote.



Teleweir

Item	Part No.	Description
1	718-1000B	Top-Mount Filter Nut
2	600-1040B	2" Bypass Valve
3	550-5735-1B	35 sq. ft. Teleweir Body Assembly
	550-5750-1B	50 sq. ft. Teleweir Body Assembly
	550-5775-1B	75 sq. ft. Teleweir Body Assembly
4	519-8310B	Teleweir Trim Ring - 6-Scalloped
5	817-4035B	35 sq. ft. Teleweir Cartridge
	817-4050B	50 sq. ft. Teleweir Cartridge
	817-4075B	75 sq. ft. Teleweir Cartridge
6	550-5835-1B	35 sq. ft. Inner Pipe & Basket Assembly
	550-5850-1B	50 sq. ft. Inner Pipe & Basket Assembly
	550-5875-1B	75 sq. ft. Inner Pipe & Basket Assembly
7	550-5701B	Upper Weir Teleweir Sub-Assembly
8	519-0300B	Teleweir Cap

** Please request price quote.



510-6900 - Deluxe Strip Skimmer Replacement Parts

Item	Part No.	Description
1	519-6900B	Weir Frame
2	550-6910B	Weir Door Assembly
3	519-6940.RB	Guide Frame - Right
4	819-0114B	Screw (4 required)
5	519-6940.LB	Guide Frame - Left
6	519-6951B	Basket
7	519-6981B	Weir Plate Outlet
8	711-4350B	Wall Fitting Gasket
9	718-3150B	Wall Fitting Nut
10	819-0008B	Screw, #8 PPH

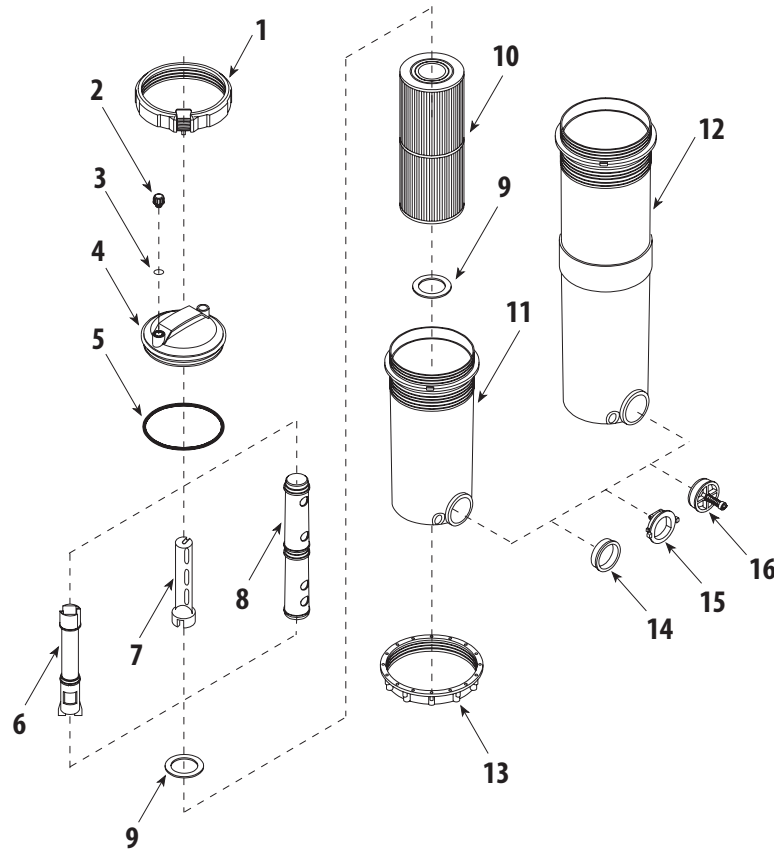
510-6910 - Deluxe Skim Filter Replacement Parts

Item	Part No.	Description
1	519-6900B	Weir Frame
2	550-6910B	Weir Door Assembly
3	519-6940.RB	Guide Frame - Right
4	819-0114B	Screw (4 required)
5	519-6940.LB	Guide Frame - Left
6	519-6951B	Basket
7	519-6961B	Weir Plate Outlet
8	817-0020B	10 sq. ft. Cartridge
9	519-6970B	Weir Filter Housing
10	711-7000B	Wall Fitting Gasket
11	718-7000B	Wall Fitting Nut
12	411-6910B	90° Ell - 2" SPG x 2" S
13	819-0008B	Screw, #8 PPH

** Please request price quote.

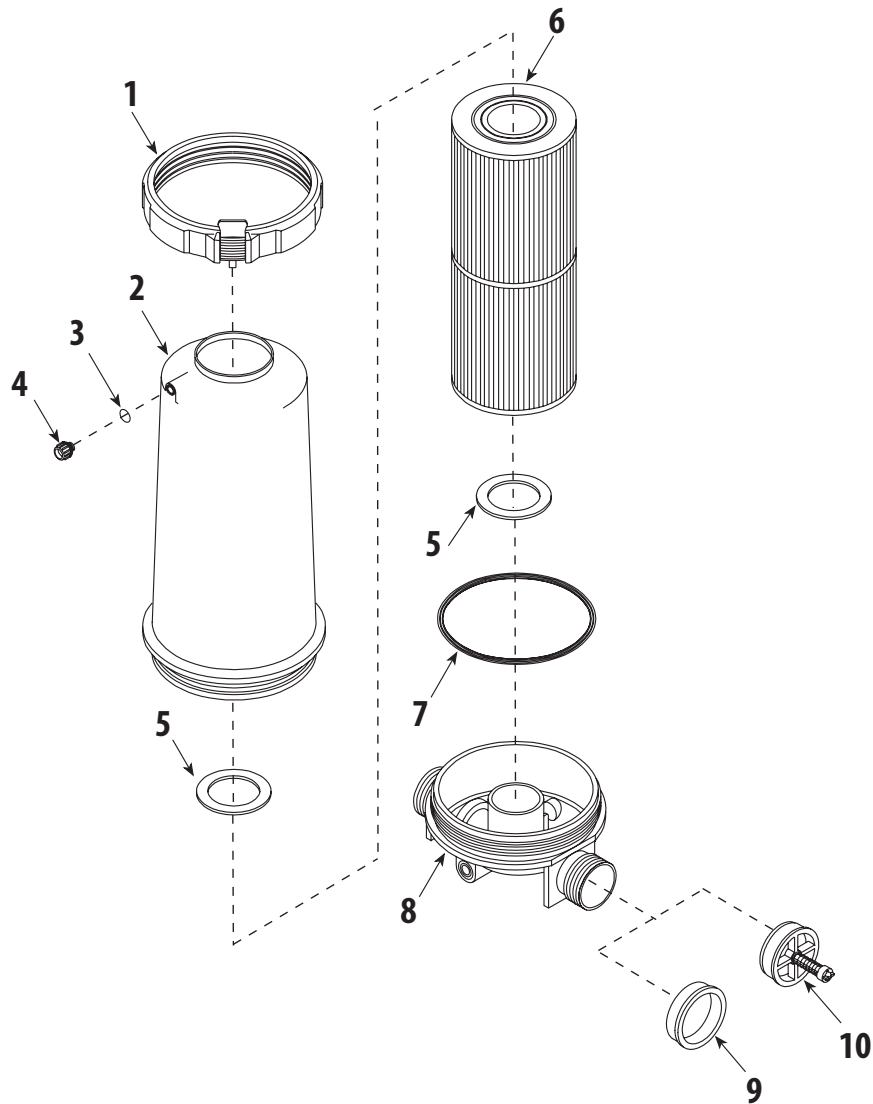


Replacement Parts / 1 1/2" and 2" Top-Load Filter



1 1/2" and 2" Top-Load Filter Replacement Parts

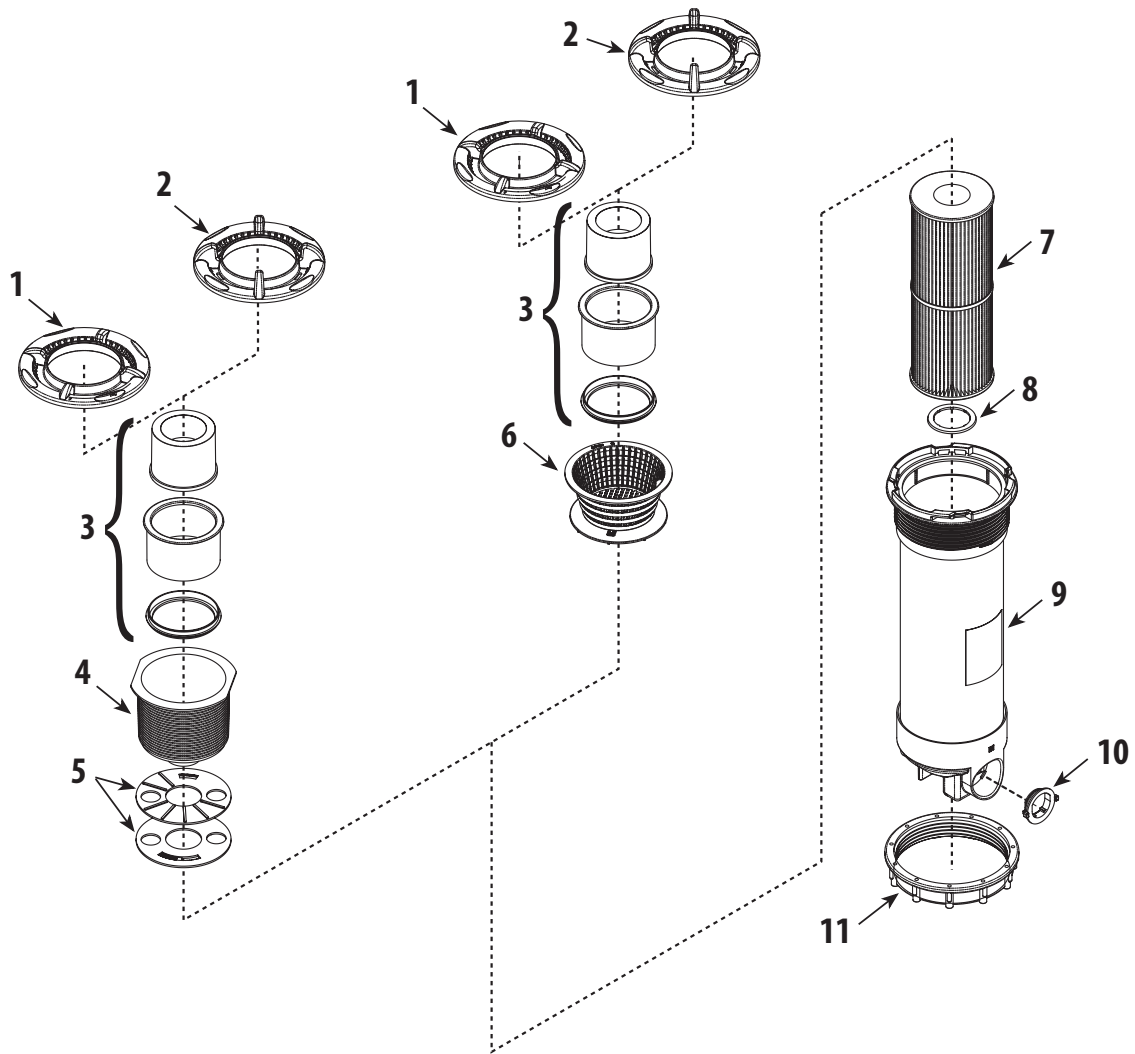
Item	Part No.	Description
1	500-1000B	Lock Ring Assembly
2	715-1001B	Plug - Air Relief
3	805-0114B	O-Ring - Air Relief Plug
4	511-1000B	Filter Lid with Handle
5	805-0360B	O-Ring - Filter Lid
6	500-1070B	Brominator Assembly - 10 Tablet
7	519-1051B	Mineral Purifier Canister Holder
8	500-1060B	Flow Restriction Tube
9	711-1010B	Spacer Ring
10	817-2500B	Filter Cartridge - 25 sq. ft. - 4 1/16" OD x 13 3/16" L
	817-5000B	Filter Cartridge - 50 sq. ft. - 4 1/16" OD x 13 3/16" L
	817-7500B	Filter Cartridge - 75 sq. ft. - 4 1/16" OD x 23 3/8" L
	817-1000B	Filter Cartridge - 100 sq. ft. - 4 1/16" OD x 23 3/8" L
11	550-5000B	1 1/2" Filter Body - with Bypass
	550-4990B	1 1/2" Filter Body - with Plug
	550-5010B	2" Filter Body - with Bypass
	550-5060B	2" Filter Body - with Plug
12	550-5110B	1 1/2" Extended Filter Body - with Bypass
	550-5150B	1 1/2" Extended Filter Body - with Plug
	550-5230B	2" Extended Filter Body - with Bypass
	550-5220B	2" Extended Filter Body - with Plug
13	718-1000B	Nut - Filter Body
14	715-1010B	1 1/2" Plug
	715-9900B	2" Plug
15	600-1040B	2" Bypass Valve Assembly
16	600-1000B	1 1/2" Bypass Valve Assembly



1 1/2" In-Line Filter Replacement Parts

Item	Part No.	Description
1	500-1000B	Lock Ring Assembly
2	515-1010B	In-line Filter Body
3	805-0114B	O-Ring - Air Relief Plug
4	715-1001B	Plug - Air Relief
5	711-1010B	Spacer Ring
6	817-2500B	Filter Cartridge - 25 sq. ft. - 4 1/8" OD x 13 3/8" L
	817-5000B	Filter Cartridge - 50 sq. ft. - 4 1/8" OD x 13 3/8" L
7	805-0360B	O-Ring - Filter Lid
8	511-1010B	1 1/2" Filter Lid
9	715-1010B	1 1/2" Plug
10	600-1000B	1 1/2" Bypass Valve

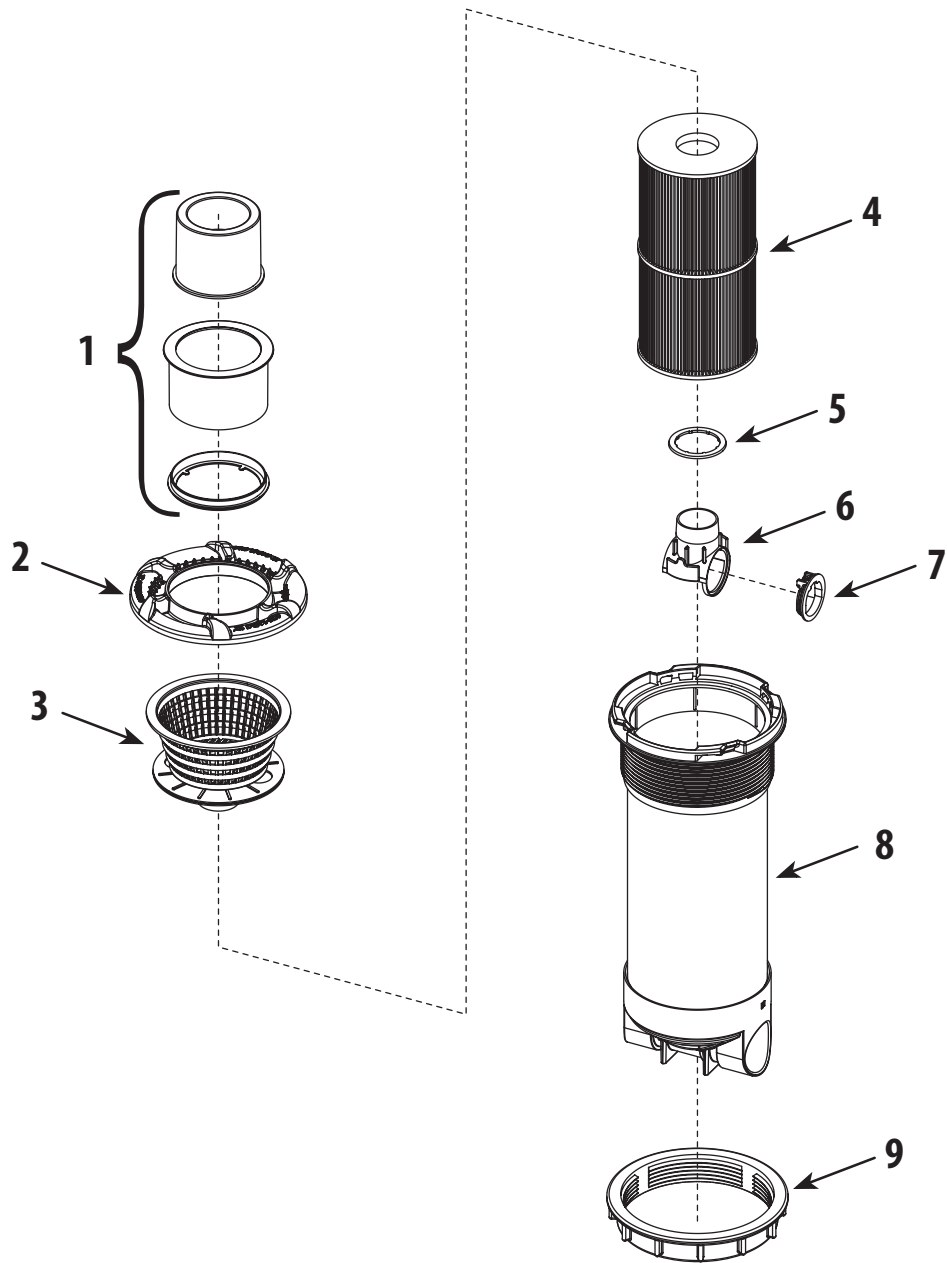
** Please request price quote.



Dyna-Flo Top Mount Skim Filter Replacement Parts

Item	Part No.	Description
1	519-8070B	4-Scallop Trim Ring - Low Volume - White
2	519-8050B	4-Scallop Trim Ring - High Volume - White
3	550-2630B	Weir Assembly - 3-Piece - White
4	519-8000B	Basket - White - 6.4" diameter x 5.62" H
5	519-3010B	Diverter Plate
6	500-2680B	Low Profile Basket Assembly - White - 6.35" diameter x 2.75" H
7	817-2500B	Filter Cartridge - 25 sq. ft. - 4 1/16" OD x 13 3/16" L
	817-3501B	Filter Cartridge - 40 sq. ft. - 4 1/16" OD x 9 1/4" L
	817-5000B	Filter Cartridge - 50 sq. ft. - 4 1/16" OD x 13 3/16" L
8	711-1010B	Spacer Ring
9	--	Body
10	600-1040B	2" Bypass Valve
11	718-1000B	Nut - Filter Body

** Please request price quote.



Dyna-Flo XL Skim Filter Replacement Parts

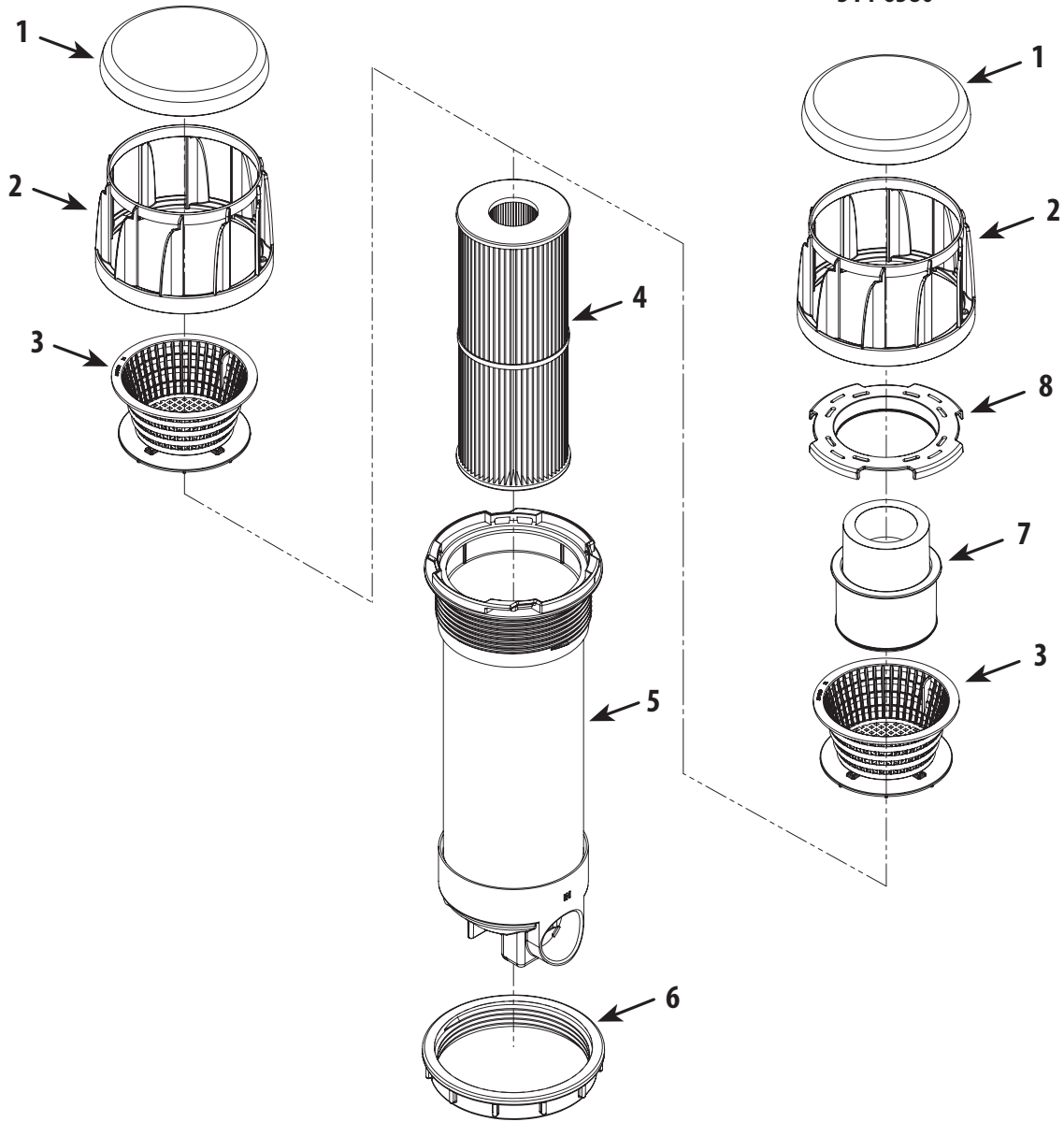
Item	Part No.	Description
1	550-8620B	Weir Assembly
2	519-8260B	Scalloped Trim Ring
3	550-8631B	Basket Assembly - Black - 8.0" diameter x 3.5" H
4	817-0017B	Dyna-Flo XL Cartridge - 50 sq. ft. - 2 3/8" x 6 9/16" OD x 13 5/16" L
	817-0018B	Dyna-Flo XL Cartridge - 75 sq. ft. - 2 3/8" x 6 9/16" OD x 13 5/16" L
	817-0019B	Dyna-Flo XL Cartridge - 100 sq. ft. - 2 3/8" x 6 9/16" OD x 17 13/16" L
5	711-8200B	Spacer Ring
6	602-8210B	Bottom Body Insert with Bypass Valve
7	600-1020B	2 1/2" Bypass Valve
8	--	Body
9	718-8200B	Nut

** Please request price quote.



Ultra Skim Filter Assembly
514-6550

Ultra Skim XL Filter Assembly
514-6580

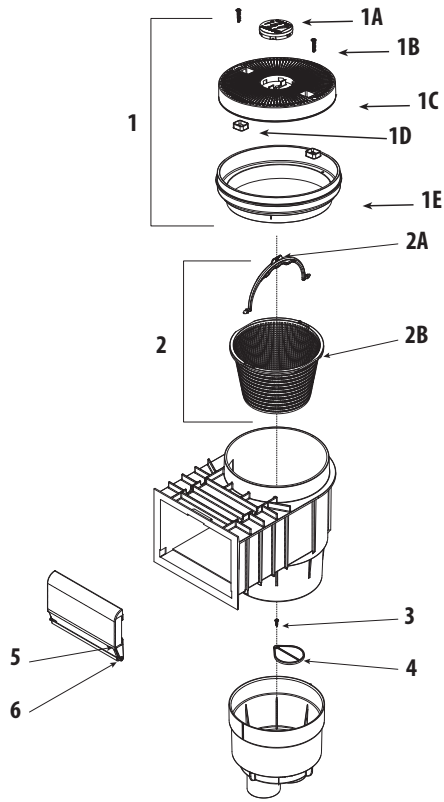


Ultra Skim Filter Replacement Parts

Item	Part No.	Description
1	519-8160B	Lid
2	519-8150B	Turbine
3	500-2697B	Basket Assembly - 6.35" diameter x 2.75" H
4	817-2500B	Filter Cartridge - 25 sq. ft. - 4 15/16" OD x 13 5/16" L
	817-3501B	Filter Cartridge - 40 sq. ft. - 4 15/16" OD x 9 1/4" L
	817-5000B	Filter Cartridge - 50 sq. ft. - 4 15/16" OD x 13 5/16" L
5	--	Body
6	718-1000B	Filter Body Nut
7	550-2630B	Weir Assembly - 3 Piece - White
8	519-2010B	Ultra Skim Filter - Weir Retainer Ring

** Please request price quote.

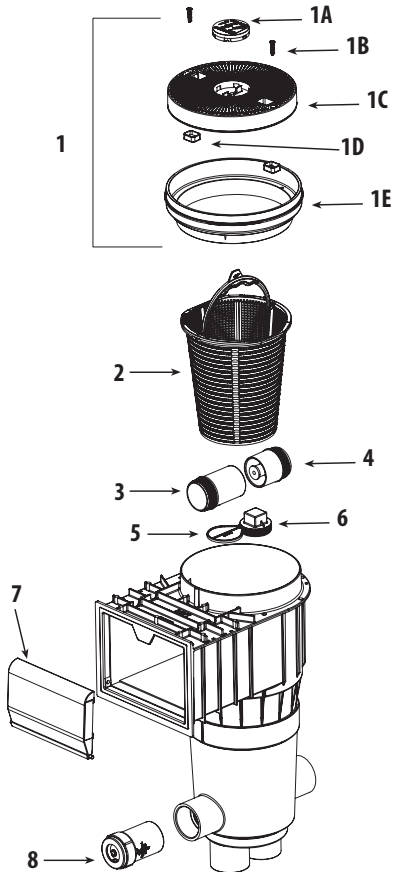
Replacement Parts / Renegade Gunite and Venturi / Deep Basket Skimmers



Renegade Gunite In-Ground Skimmer

Renegade Gunite In-Ground Skimmer Replacement Parts

Item	Part No.	Description
1	---	Reversible lid assy
1A	519-7860WW	Lid logo insert
1B	819-4350	Screws #8 x 5/8
1C	519-7800	Reversible Lid
1D	715-7800	Plugs for reversible lid
1E	519-7900	Mounting ring lid base
2	519-3240B	Basket Assembly with Handle
2A	519-3250B	Basket handle
2B	542-3240B	Basket
3	550-995xB	Screw
4	519-6470	Diverter Plate
5	550-9950B	Weir door assy
6	865-0200	Weir door foam

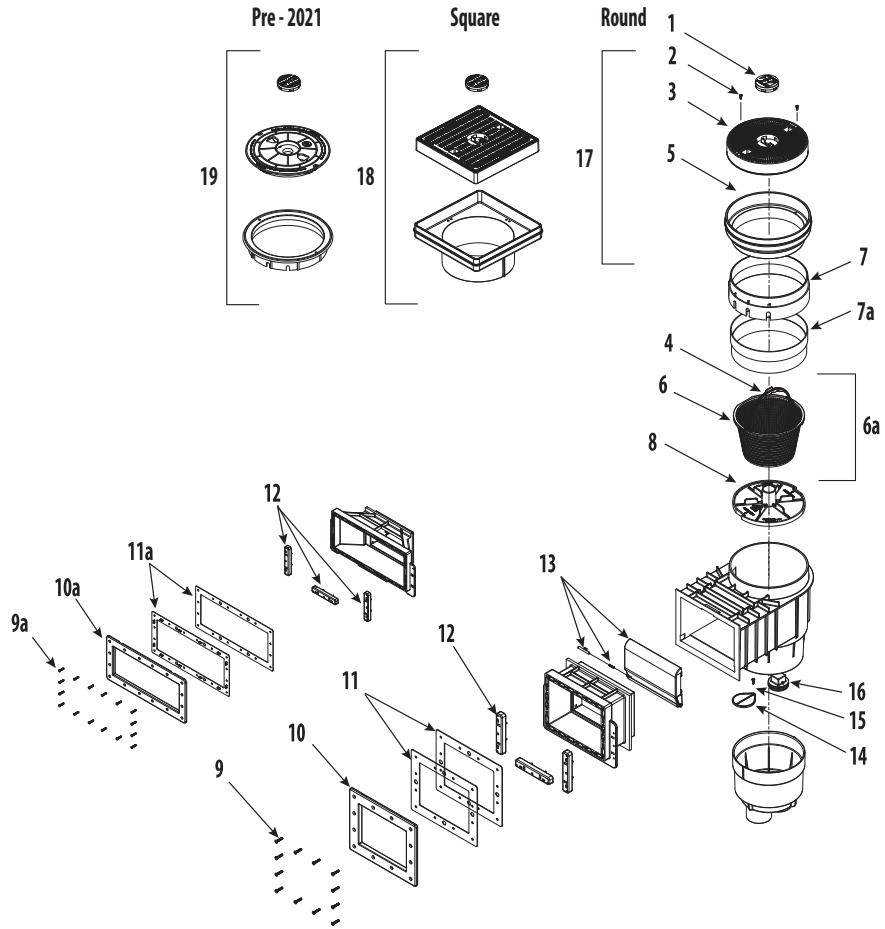


Renegade Venturi and Deep Basket

Renegade Venturi and Deep Basket Skimmer Replacement Parts

Item	Part No.	Description
1	---	Reversible lid assy
1A	519-7860WW	Lid logo insert
1B	819-4350	Screws #8 x 5/8
1C	519-7800	Reversible Lid
1D	715-7800	Plugs for reversible lid
1E	519-7900	Mounting ring lid base
2	519-9600	Venturi basket
3	519-9640	Nozzle
4	519-9650	2" outlet port
5	519-6470	Diverter Plate
6	715-9910	2" NPT Plug
7	550-9950	Weir door assy
8	519-9660	2" inlet port

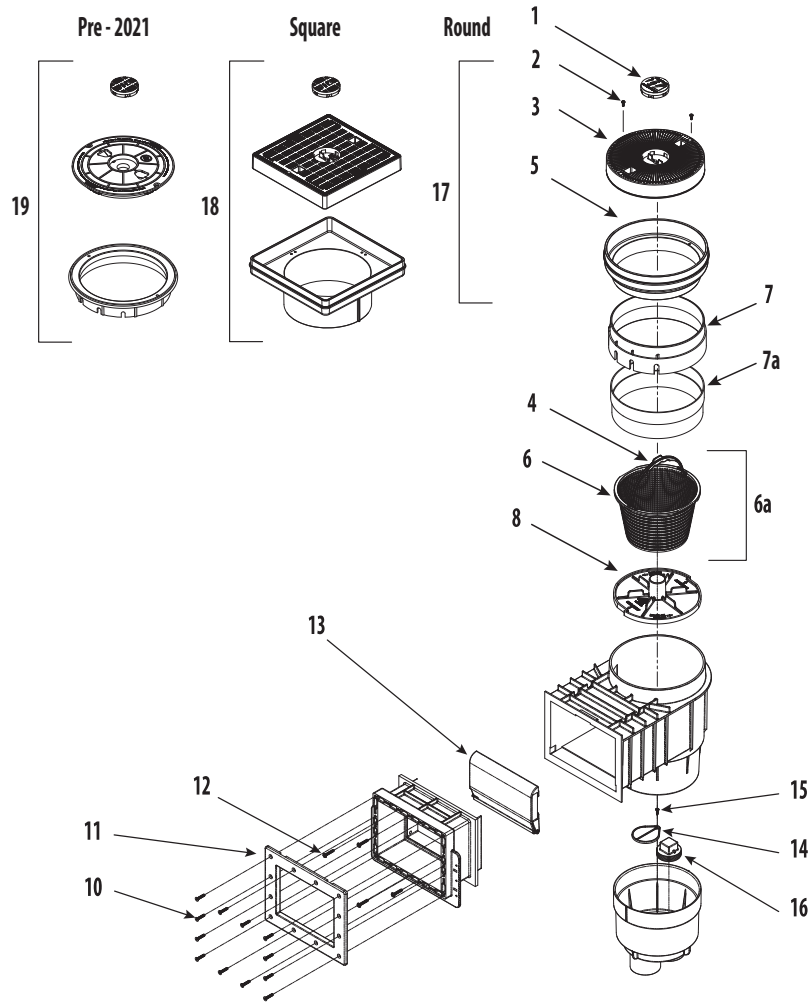
** Please request price quote.



Renegade Vinyl Liner Skimmer Replacement Parts

Item	Part No.	Description
1	519-7860WBB	Logo Lid Insert
2	819-0100B	Screw #10 x 1" (2 required)
3	519-7800	Reversible - Fillable Round Lid
4	519-3250B	Basket Handle
5	519-7900B	Extended Collar Deck Flange - Round
5a	519-6480-R1B	New Vacuum Plate (2014 & newer)
6	519-3240B	Basket - 8.12" diameter x 5.25" H
6a	542-3240B	Basket Assembly with Handle
7	519-9510B	Round Collar
7a	519-6545B	Round Collar - Extension
8	519-6480B	Vacuum Plate - Twist-Lock (2013 & older)
9	819-6945B	Screw #12 x 1 1/4" PFH (12 required)
9a	819-0030B	#12 x 1 1/4" Philips Pan Head Screw SS (12 Required)
10	519-9530B	Mounting Plate - Standard
10a	519-9550B	Mounting Plate - Wide Mouth
11	711-9510B	Gasket - Standard (2 required)
11a	711-9520B	Gasket - Wide Mouth (2 required)
12	713-9520B	Spacer (3 required)
13	550-995xB	Weir Door Assembly
14	519-6470B	Diverter Plate
15	819-4350B	Screw - 8 x 5/8"
16	715-9910B	2" NPT Plug
17	540-7800B	Reversible - Fillable Round Lid Assembly
18	540-7900B	Reversible - Fillable Square Lid Assembly
19	540-6460WBB	Pool Skimmer Lid

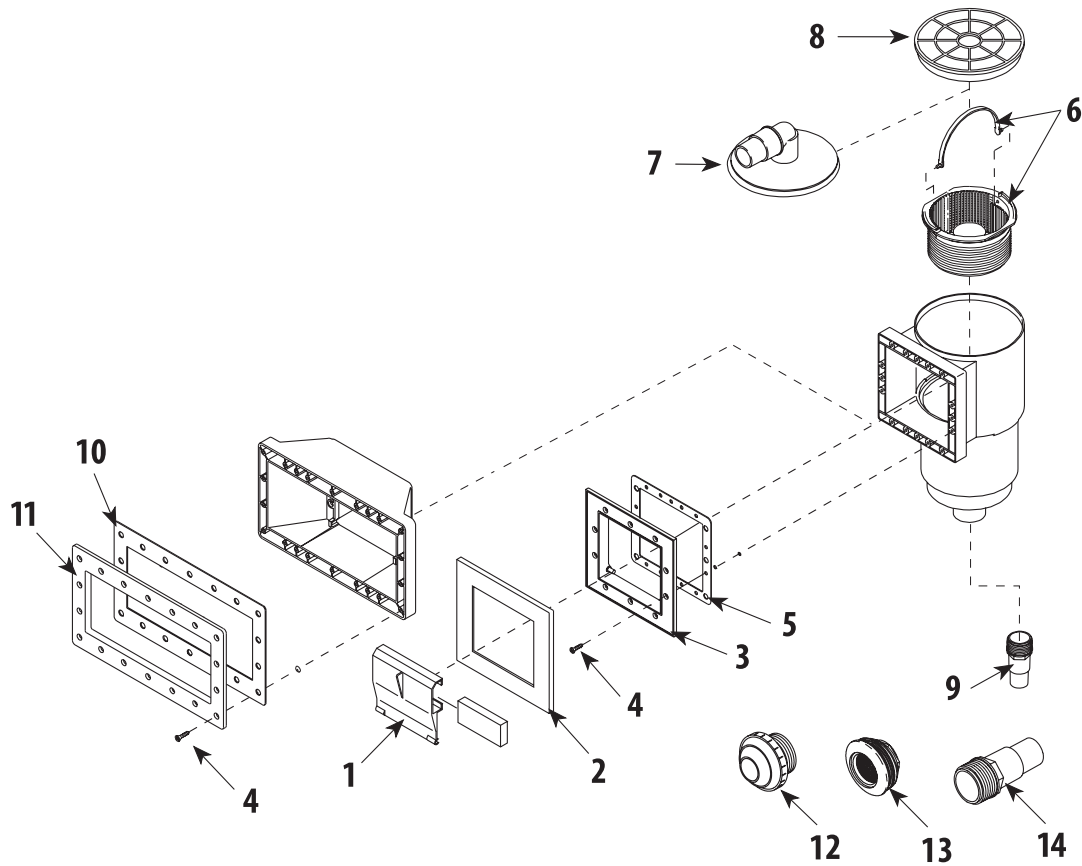
** Please request price quote.



Renegade Fiberglass Skimmer Replacement Parts

Item	Part No.	Description
1	519-7860WWB	Logo Lid Insert
2	819-0100B	Screw #8-32 x 7/16" Phil Pan Head (2 required)
3	519-7800	Square Lid
4	519-3250B	Basket Handle
5	519-949xB	Extended Collar Deck Flange - Round
5a	519-6480-R1B	New Vacuum Plate (2014 & newer)
6	519-3240B	Basket - 8.12" diameter x 5.25" H
6a	542-3240B	Basket Assembly with Handle
7	519-9510B	Round Collar
7a	519-6570B	Round Collar - Extension
8	519-6480B	Vacuum Plate - Twist-Lock (2013 & older)
9	519-6560B	Mounting Ring Extension (2 included)
10	819-6950B	Screw #12 x 1 1/2" PFH Type B (12 required)
11	519-9530B	Mounting Plate
12	819-0030B	Screw #12 x 1 1/4" PPH Stainless Steel (4 required)
13	550-995xB	Weir Door Assembly
14	519-6470B	Diverter Plate
15	819-4350B	Screw - 8 x 3/8"
16	715-9910B	2" NPT Plug
17	540-7800B	Reversible - Fillable Round Lid Assembly
18	540-7900B	Reversible - Fillable Square Lid Assembly
19	540-6460WWB	Pool Skimmer Lid

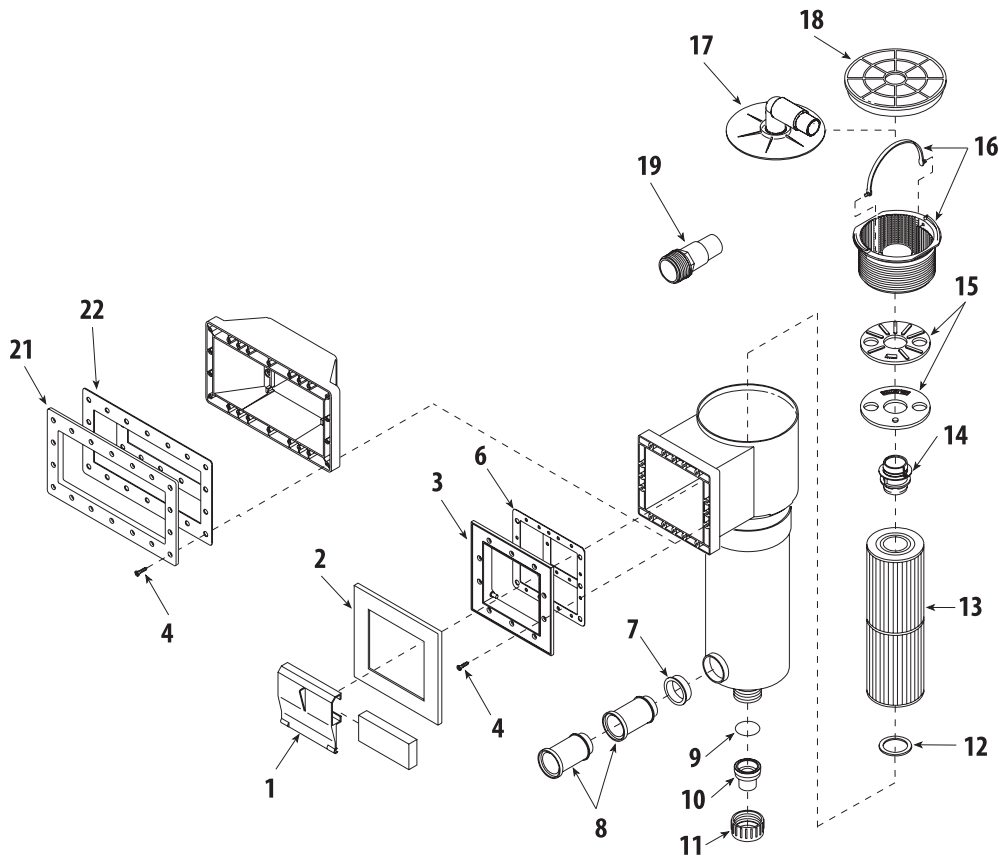
** Please request price quote.



Flo-Pro II Above-Ground Skimmer Replacement Parts

Item	Part No.	Description
1	542-3060B	Weir Door Assembly with Foam
2	519-3090B	Trim Plate <i>(optional)</i>
3	519-3180B	Mounting Plate - Front Access
4	819-0006B	Screw - #12 x 1 1/4" PFH 18-8 Sms <i>(10 for Regular Skimmer; 18 for Wide Mouth)</i>
5	711-0060B	Anti-Rust Wall Protection Gasket - Regular
6	550-1030B	Basket Assembly with Handle - 6.38" diameter x 4.10" H
7	519-3150B	Vacuum Plate - Front Access with 90° Elbow
8	519-3030B	Lid - Front Access
9	417-6140B	Hose Adapter - 1 1/2" MPT x 1 1/2" Hose
	417-6150B	Hose Adapter - 1 1/2" Barb <i>(optional)</i>
10	711-0070B	Anti-Rust Wall Protection Gasket - Wide Mouth
11	519-4110B	Mounting Plate - Wide Mouth
12	400-1410DB	Eyeball Fitting - 3/4" Eyeball
	400-1410EB	Eyeball Fitting - 1" Eyeball
13	400-9170B	Return Wall Fitting with Locknut and Gaskets - 1 1/2" FPT
14	417-6060B	Hose Adapter Fitting - 1 1/2" MPT x 1 1/4" Hose

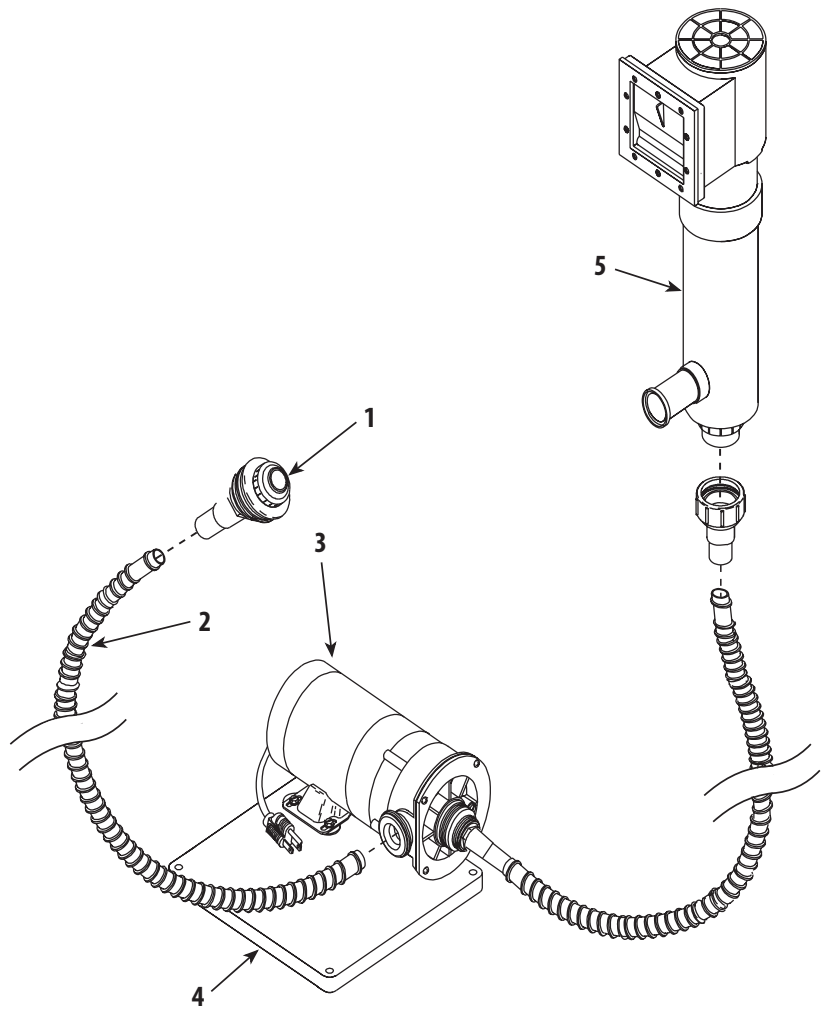
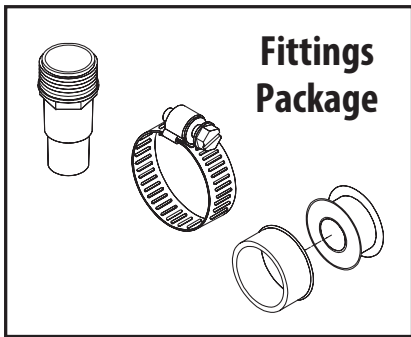
** Please request price quote.



Flo-Pro Skim Filter Replacement Parts

Item	Part No.	Description
1	542-3060B	Weir Door Assembly with Foam
2	519-3090B	Trim Plate - Front Access <i>(optional)</i>
3	519-3080B	Mounting Plate - Front Access - Short Throat Only
	519-3180B	Mounting Plate - Front Access - Long Throat Only
4	819-0006B	Screw - #12 x 1 1/4" PFH 18-8 Sms
6	711-0060B	Anti-Rust Wall Protection Gasket - Regular
7	715-2030B	2" Plug
8	519-3190B	Support Piece - Short Throat
	519-3170B	Extension - Support Piece - Wide Mouth
9	805-0226B	O-Ring - Union
10	417-6020B	1 1/2" Tailpiece x 1 1/2" Hose Adapter Fitting - with O-Ring Groove
11	415-4000B	1 1/2" Union Nut
12	711-1010B	Spacer Ring
13	817-2500B	Filter Cartridge - 25 sq. ft. - 4 15/16" OD x 13 5/8" L
	817-5000B	Filter Cartridge - 50 sq. ft. - 4 15/16" OD x 13 5/8" L
14	519-3100B	Collar Plate
15	519-3010B	Diverter Plate
16	550-1030B	Basket Assembly with Handle - 6.38" diameter x 4.10" H
17	519-3150B	Vacuum Plate with 90° Elbow
18	519-3030B	Lid
19	417-6060B	Hose Adapter Fitting - 1 1/2" MPT x 1 1/4" Hose Barb
21	519-4110B	Mounting Plate - Wide Mouth
22	--	Anti-Rust Wall Protection Gasket - Wide Mouth

** Please request price quote.



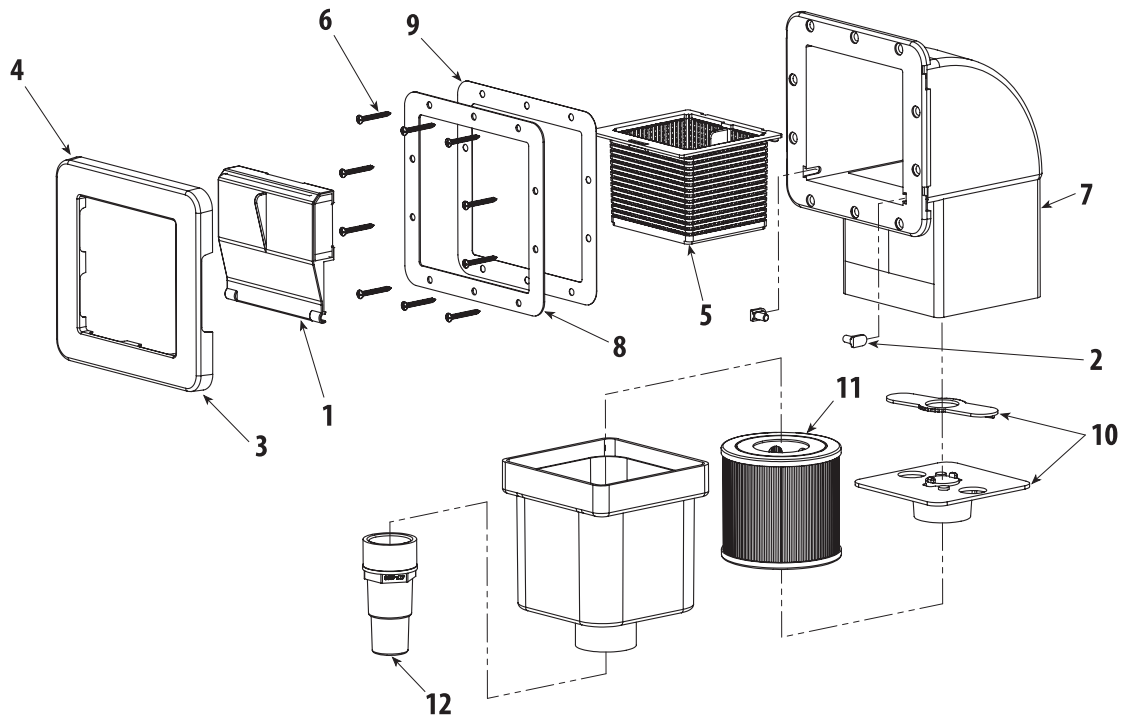
TWM Skim Filter Replacement Parts

Item	Part No.	Description
1	550-9340B	Deluxe Return 1" Eyeball Fitting
2	872-9000B	Corrugated Hose - 1 1/2" x 6 ft.
3	--	Pump
4	672-1010B	Equipment Base - 1" x 14 1/2" x 15"
5	560-JOA50TB	Skim Filter Assembly - 50 sq. ft.

Fittings Package Contents

Item	Part No.	Description
--	417-6061B	1 1/2" MPT x 1 1/4" Hose Adapter Fitting (2 required)
--	872-0011B	2 1/2" Hose Clamp - Stainless Steel (4 required)
--	902-2000B	Teflon Tape - 1/2" x 100" roll

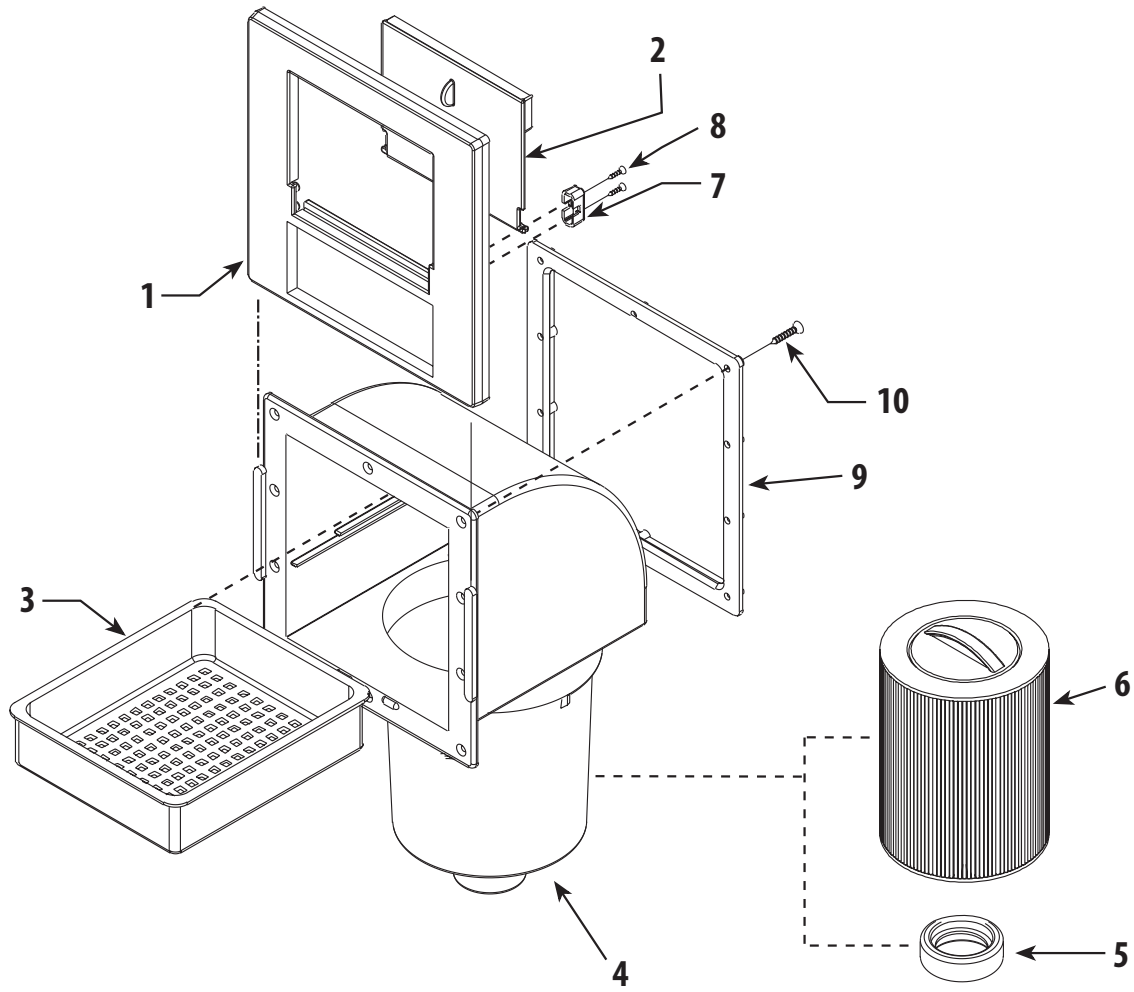
** Please request price quote.



Spa Skimmer and Skim Filter Replacement Parts

Item	Part No.	Description
1	550-4050B	Weir Door with Foam - Square Spa Skimmer
2	519-4020B	Hinge - Square Skim Filter - White
3	916-1010B	Stainless Steel Escutcheon <i>(optional)</i>
4	519-4090B	Square Trim Plate - Plastic - Old Style
5	519-4030B	Basket - 4.80" x 5.10" x 3.45" H
6	819-6930B	Screw - #8 x 1 1/2" Flathead Phillips
7	550-4060B	1 1/2" Square Body with Base
	550-4080B	1 1/2" Square Body - 10 sq. ft. Skim Filter
	550-4090B	1 1/2" Square Body - 20 sq. ft. Skim Filter
8	806-1070B	Gasket - Mounting Plate
9	519-1600B	Mounting Plate <i>(optional)</i>
10	550-1500B	Diverter Plate Assembly
11	817-0010B	Filter Cartridge - 10 sq. ft. - 4 1/4" OD x 4" L
12	417-6080B	Hose Adapter Fitting - 1 1/2" Spigot x 1 1/4" Hose <i>(optional)</i>

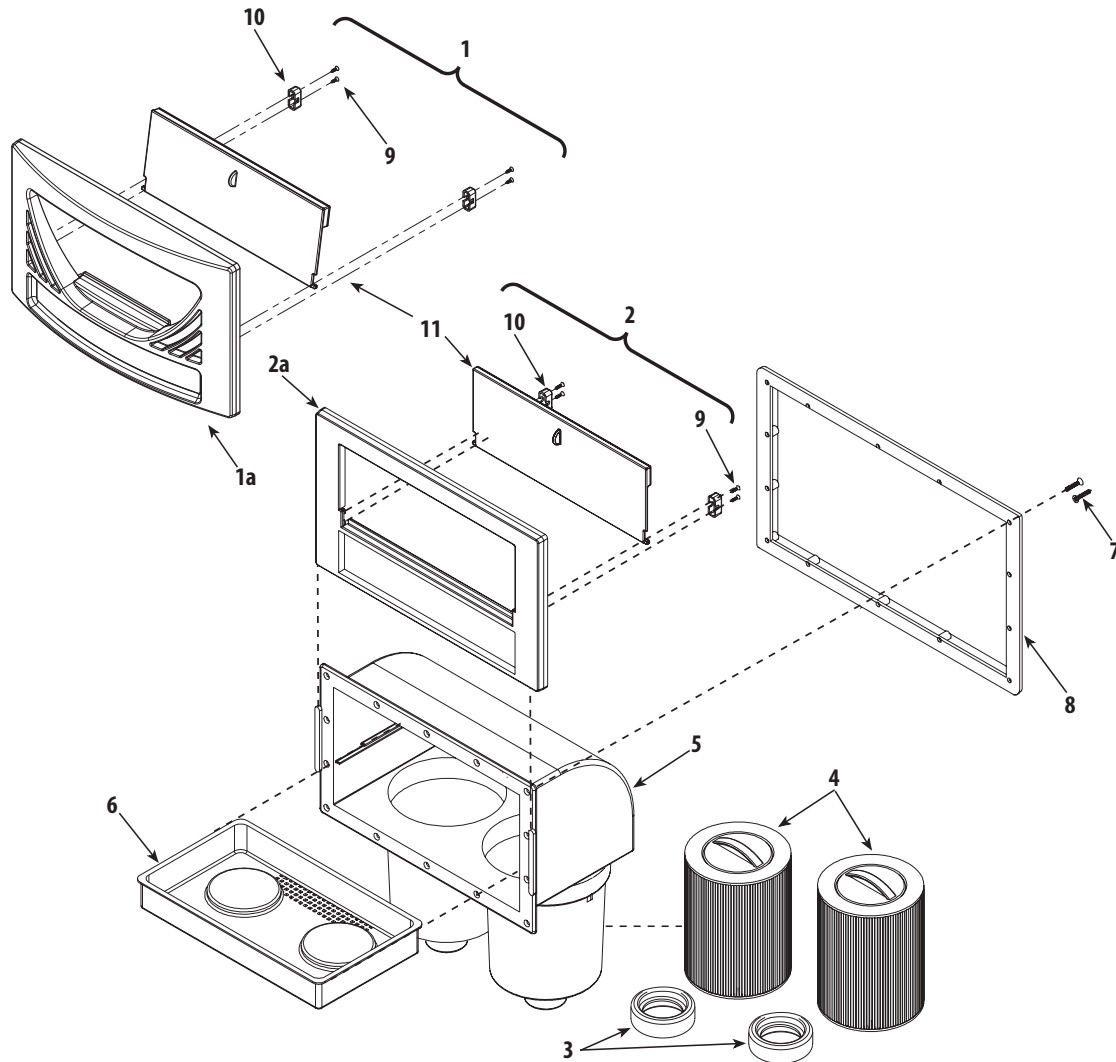
** Please request price quote.



50 sq. ft. Skim Filter Replacement Parts

Item	Part No.	Description
1	519-9010B	Front Plate
2	550-9000B	Weir Door Assembly
3	519-9050B	Basket
4	550-9010B	Filter Body Assembly - 50 sq. ft.
5	519-6640B	Retainer Ring
6	817-0050B	50 sq. ft. Filter Cartridge - 6" OD x 8 1/4" L
7	519-6240B	Hinge Mount
8	819-3260B	Screw - #6 - 20 x 5/8" POH
9	519-9040B	Mounting Plate
10	819-0006B	Screw - #12 x 1 1/4" PFH

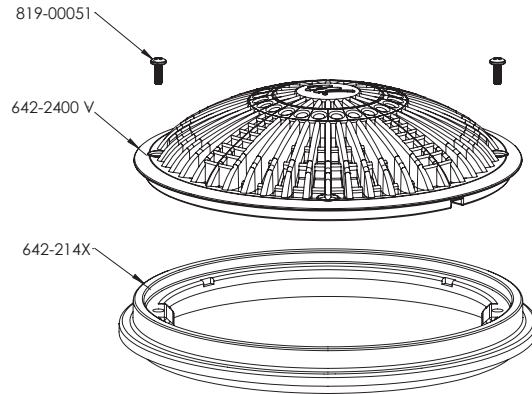
** Please request price quote.



100 sq. ft. Skim Filter Replacement Parts

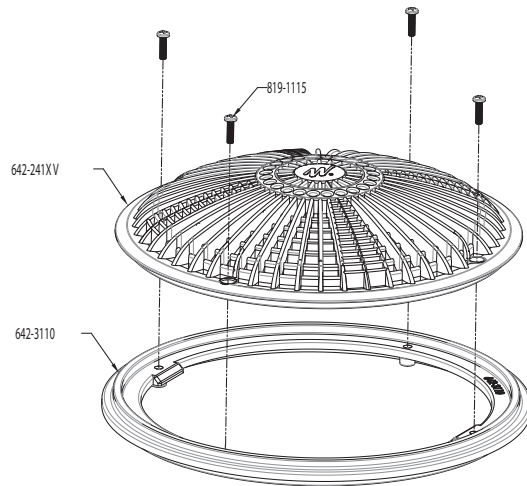
Item	Part No.	Description
1	550-6630B	Front Access Plate Assembly - Oval
1a	519-6630B	Blank Front Access Plate - Oval
2	550-6610B	Front Access Plate Assembly - Flat
2a	519-6650B	Blank Front Access Plate
3	519-6640B	Retainer Ring
4	817-0050B	50 sq. ft. Filter Cartridge - 6" OD x 8 1/4" L
5	550-6620B	Filter Body Assembly
6	519-6610B	Basket
7	819-0030B	Screw - #12 x 1 1/4" PFH
8	519-6680B	Mounting Plate
9	819-3260B	Screw - #6 -20 x 3/8" POH
10	519-6240B	Hinge Mount
11	550-6600B	Weir Door Assembly

** Please request price quote.



Tru Flo 8" Drain Cover Replacement Parts

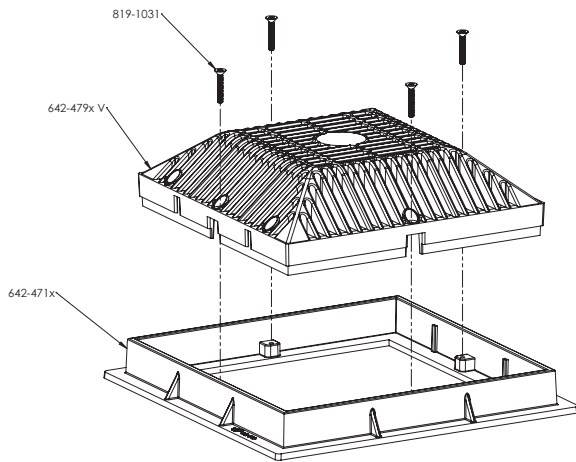
Item	Part No.	Description
1	819-0051B	#8 Stainless Steel Screw - 32 x 7/16
2	642-2400 VB	8" Tru Flo Drain Cover
3	642-214XB	8" Tru Flo Drain Frame
4	640-234x VB	8" Tru Flo Drain Cover and Ext. Collar Assy



Tru Flo 10" Drain Cover Replacement Parts

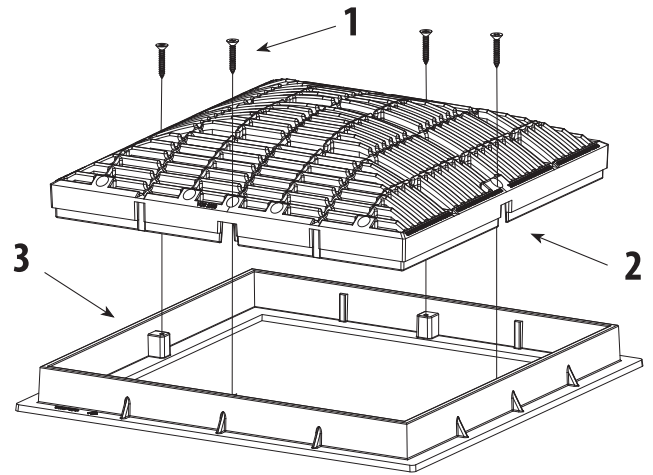
Item	Part No.	Description
1	819-1115B	#8 Stainless Steel Screw - 32 x 5/8
2	642-241X VB	10" Tru Flo Drain Cover
3	642-311XB	10" Tru Flo Drain Frame
4	640-191x VB	10" Tru Flo Drain Cover and Ext. Collar Assy

** Please request price quote.



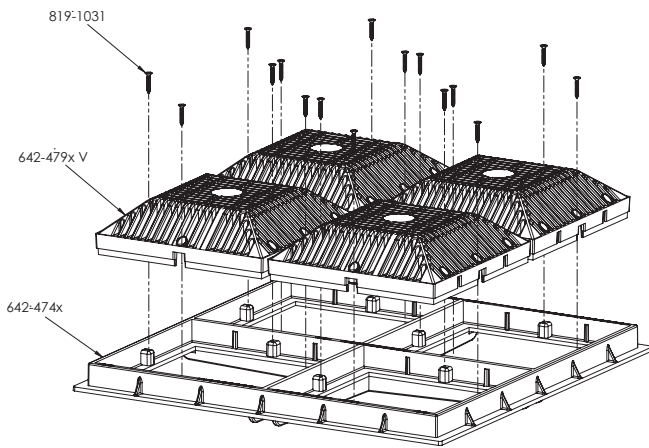
9" x 9" Grate & Frame Replacement Parts

Item	Part No.	Description
1	819-1031B	#8 x 1 Stainless Steel Screw
2	642-479x VB	9" x 9" Pool Grate
3	642-471xB	9" x 9" Grate Frame



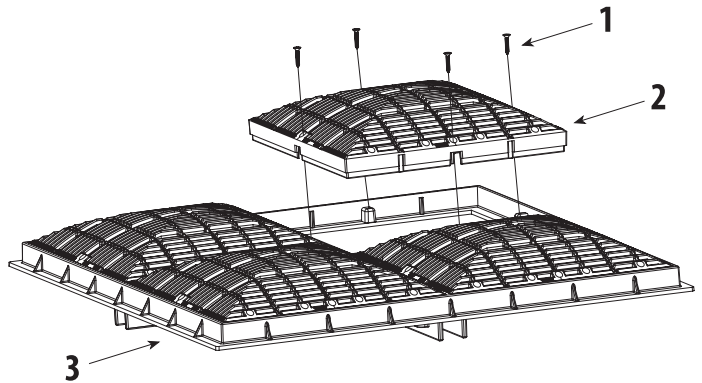
12" x 12" Grate & Frame Replacement Parts

Item	Part No.	Description
1	819-1031B	#8 x 1 Stainless Steel Screw
2	642-4720 VB	12" x 12" Pool Grate
3	642-4730B	12" x 12" Grate Frame



18" x 18" Grate & Frame Replacement Parts

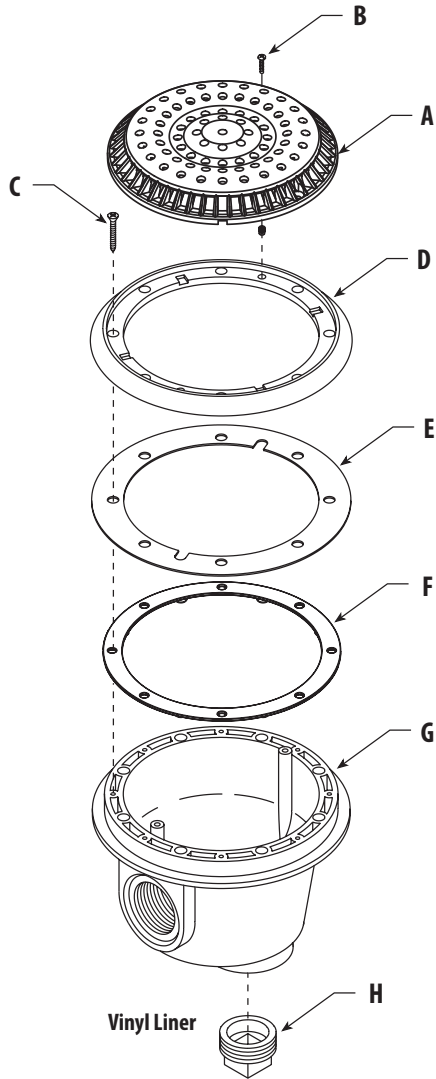
Item	Part No.	Description
1	819-1031B	#8 x 1 Stainless Steel Screw
2	642-479x VB	9" x 9" Pool Grate
3	642-474XB	18" x 18" Grate Frame



24" x 24" Grate & Frame Replacement Parts

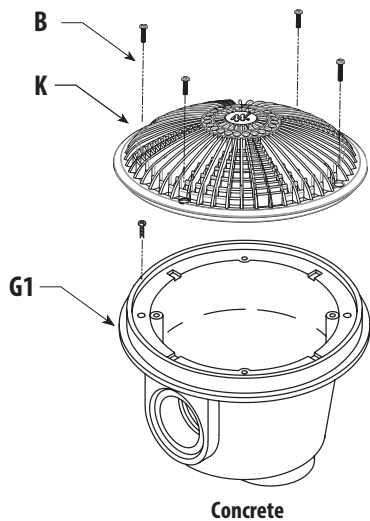
Item	Part No.	Description
1	819-1031B	#8 x 1 Stainless Steel Screw
2	642-4720 VB	12" x 12" Grate
3	642-4760B	24" x 24" Grate Frame

** Please request price quote.



Main Drain Replacement Parts

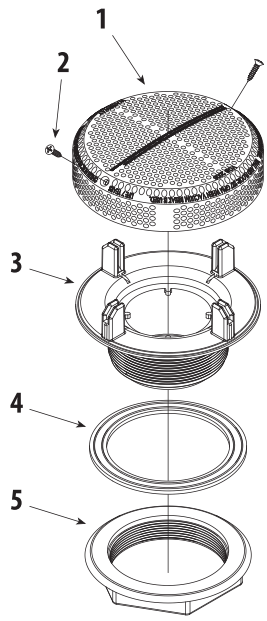
Item	Part No.	Description
A	645-2150 VB	8" Anti-Vortex Cover - White (with screws)
	645-2151 VB	8" Anti-Vortex Cover - Black (with screws)
	645-2157 VB	8" Anti-Vortex Cover - Gray (with screws)
	645-2159-DKG VB	8" Anti-Vortex Cover - Dark Gray (with screws)
	645-2159-BEI VB	8" Anti-Vortex Cover - Beige (with screws)
	645-2159-DKB VB	8" Anti-Vortex Cover - Dark Blue (with screws)
B	819-0005B	Cover Screws (Anti-Vortex only) (2 required)
C	819-6940B	Mounting Screw (8 required)
D	642-2090B	Vinyl Liner Main Drain Mounting Plate - White
	642-2091B	Vinyl Liner Main Drain Mounting Plate - Black
	642-2097B	Vinyl Liner Main Drain Mounting Plate - Gray
E	806-3000B	Gasket - Vinyl Liner Main Drain Assembly(1 required)
F	711-2600B	Gasket - Vinyl Liner Main Drain Body (Stay-In-Place) (1 required)
G	672-2520B	Body - Main Drain Vinyl Liner - 2" S
	672-2530B	Body - Main Drain Vinyl Liner - 2" FPT
G1	672-2500B	Body - 8" Main Drain Concrete - 2" FPT (bulk packed)
	672-2510B	Body - 8" Main Drain Concrete - 2" S (bulk packed)
H	715-9910B	2" NPT Plug
K	642-2400 VB	8" Tru Flo Drain Cover - White
	642-2401 VB	8" Tru Flo Drain Cover - Black
	642-2407 VB	8" Tru Flo Drain Cover - Gray
	642-2409-DKG VB	8" Tru Flo Drain Cover - Dark Gray
	642-2409-BEI VB	8" Tru Flo Drain Cover - Beige
	642-2410 VB	10" Tru Flo Drain Cover - White
	642-2411 VB	10" Tru Flo Drain Cover - Black
	642-2417 VB	10" Tru Flo Drain Cover - Gray
	642-2419-DKG VB	10" Tru Flo Drain Cover - Dark Gray
	642-2419-BEI VB	10" Tru Flo Drain Cover - Beige



Vinyl Liner Drain Cover Kit

Item	Part No.	Description	Qty
	640-2260 VB	Vinyl Liner Tru Flo Kit VGB2008 - White	25 (indiv.)
	640-2261 VB	Vinyl Liner Tru Flo Kit VGB2008 - Black	25 (indiv.)
	640-2267 VB	Vinyl Liner Tru Flo Kit VGB2008 - Gray	25 (indiv.)

** Please request price quote.



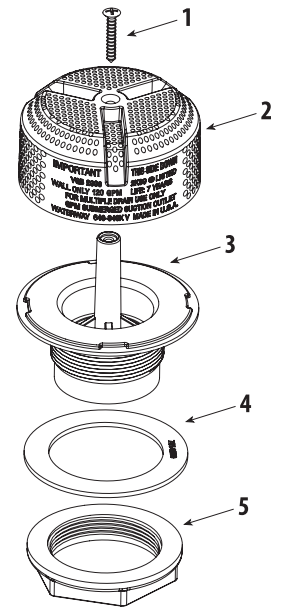
Super Hi-Flo Suction

Super Hi-Flo Suction Replacement Parts

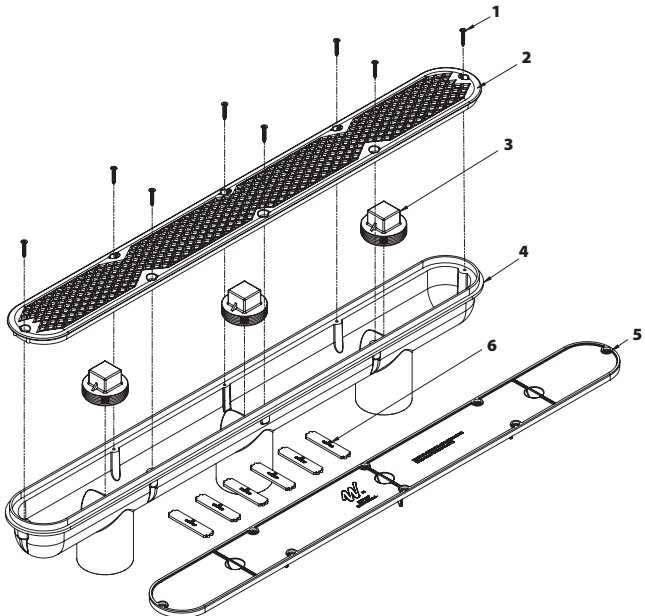
Item	Part No.	Description
1	642-3630B V	Suction Cover
	819-1251	Suction Cover (Stainless Steel)
2	819-1250B	#6 Stainless Steel Screw - 20 x 5/8"
3	215-3620B	2" Wall Fitting (for 640-357xV)
	215-3610B	2 1/2" Wall Fitting (for 640-358xV)
4	711-3260B	Gasket
5	642-3620B	Wall Fitting Nut

Ultra Hi-Flo Suction Replacement Parts

Item	Part No.	Description
1	642-3270B V	Tall Suction Cover
2	819-0024B	Stainless Steel Screw - #10 x 1"
3	215-3270B	1 1/2" Wall Fitting for Tall Suction
4	711-3250B	Gasket
5	718-3150B	Wall Fitting Nut



Ultra Hi-Flo Suction



32" Diamond Strip Drain

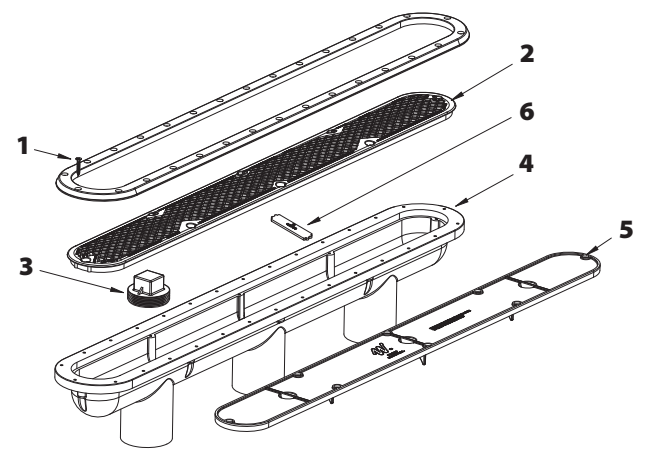
32" Diamond Strip Drain Replacement Parts

Item	Part No.	Description
1	819-1031	1" Phil Flat Head Type A 316 S/S Screw
2	642-1340 V	32" Blade Diamond Design VBG2008
3	715-9910	2" NPT Plug
4	642-1320	32" Plaster Body Drain
5	715-1360	32" Plaster Plug
6	642-1390	32" Drain Support Brace

** Please request price quote.

Vinyl Liner Strip Drain Replacement Parts

Item	Part No.	Description
1	819-1031	1" Phil Flat Head Type A 316 S/S Screw
2	642-1340 V	32" Blade Diamond Design VBG2008
3	715-9910	2" NPT Plug (3 required)
4	642-1300	32" Vinyl Liner Body Drain
5	715-1360	32" Plaster Plug
6	642-1350	32" Drain Support Brace (6 required)

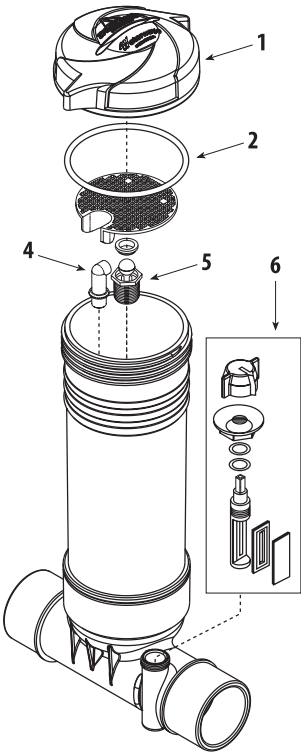
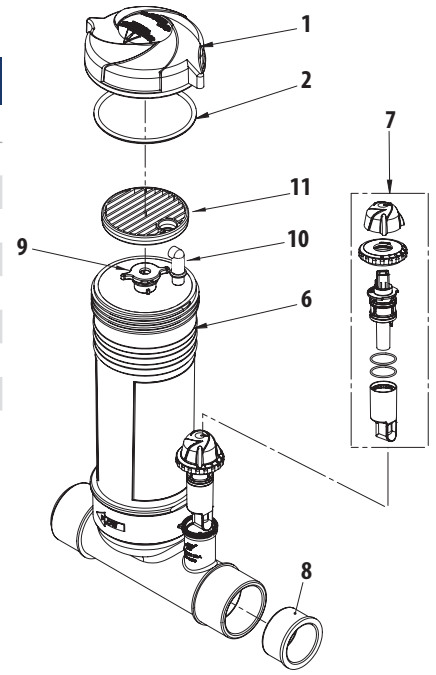


Vinyl Liner Strip Drain

Replacement Parts

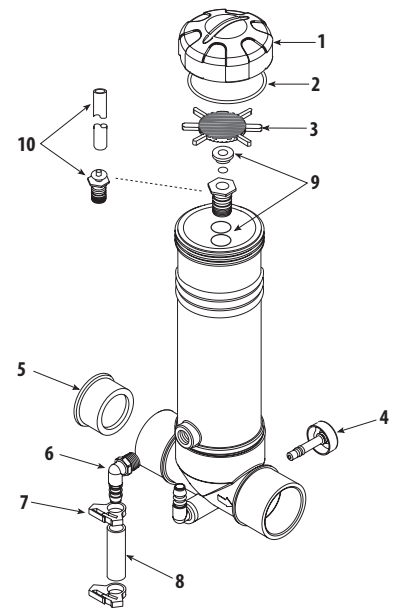
New Style In-Line Chlorinator (2007 and Later) Replacement Parts

Item	Part No.	Description
1	519-1160B	Cap, Lid - In Line Chlorinator
2	805-0348VB	O-Ring
6	515-1170B	Upper Body, Chlorinator
7	600-1287B	Flow Valve Assembly
8	421-4070B	Reducer Bushing 2" SPG x 1 1/2" S
9	600-1290	Chlorinator II Check Valve
10	411-1170B	90° Elbow - 1/4" Pipe
11	519-1400	Chlorinator II Grill



In-Line Chlorinator (2002 - 2007) Replacement Parts

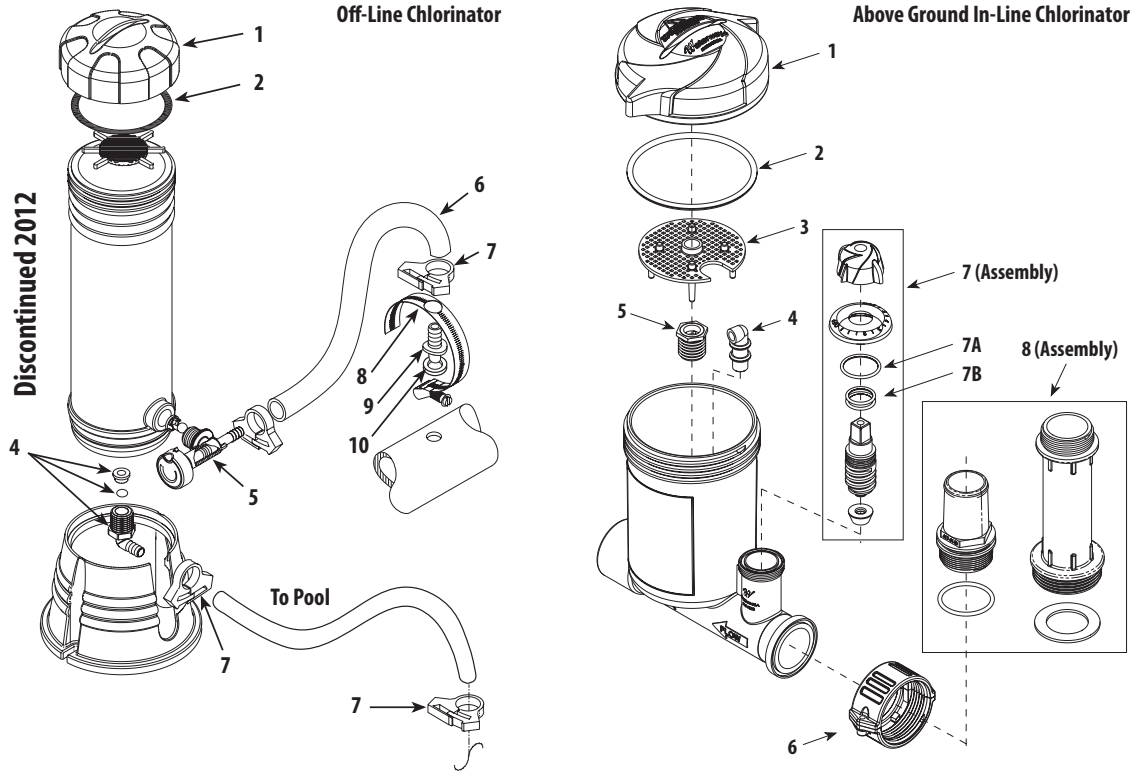
Item	Part No.	Description
1	519-1167B	Lid
2	805-0348VB	Lid O-Ring
4	411-1170B	90° Elbow - 1/4" Pipe
5	600-1180B	Flow Valve Assembly
6	600-1190B	Stem Assembly with O-Ring



In-Line Chlorinator (2002 and Previous) Replacement Parts

Item	Part No.	Description
1	519-1181B	Lid
2	805-0340VB	O-Ring - Lid
3	319-0041B	Filter Screen
4	600-0051B	Valve Stem Assembly
5	421-4070B	Reducer - 1 1/2" Socket x 2" Spigot
6	400-0021B DISCONTINUED	Elbow Assembly - 1/2" NPT x 1/2" Barb
7	872-2290B	1/2" Hose Clamp
8	519-7361B	3" Flex Hose
9	550-2120B	Coupler Assembly
10	550-2130B	Bromine Conversion Assembly for 1" Tablets

** Please request price quote.



Off-Line Chlorinator Replacement Parts

Item	Part No.	Description
1	519-1181B	Lid
2	805-0340VB	O-Ring - Lid
4	600-1151B	Bottom Check Valve Assembly
5	600-0101B	Off-Line Valve Assembly
6	872-2240B	$\frac{3}{8}$ " inner diameter x $\frac{1}{2}$ " outer diameter Tubing (per ft.)
7	872-2291B	$\frac{3}{8}$ " Hose Clamp
8	872-0011B	2 $\frac{1}{2}$ " Hose Clamp - Stainless Steel
9	425-1181B	$\frac{3}{8}$ " Pipe Adapter
10	806-0003B	Gasket

Above Ground In-Line Chlorinator Replacement Parts

Item	Part No.	Description
1	519-1167B	Lid
2	805-0348VB	O-Ring - Lid
3	519-1250B	Filter Screen - 1 $\frac{1}{2}$ "
4	411-1170B	90° Elbow - $\frac{1}{4}$ "
5	600-1180B	Check Valve Assembly
6	400-5461B	1 $\frac{1}{2}$ " Split-Nut Union Assembly (with Screws)
7	600-1207B	Dial Stem Assembly
7A	805-0124VB	O-Ring - Stem Assembly
7B	805-0118VB	O-Ring - Stem Assembly
8	400-9820B	Chlorinator Fitting - 1 $\frac{1}{2}$ " Sub Assembly

** Please request price quote.



Index



Pool & Spa Product Buyer's Guide / Index

Part No.	Page	Part No.	Page	Part No.	Page	Part No.	Page	Part No.	Page	Part No.	Page
3310330-1	209	FC0757	21	V, 640-476x	77	VP, 640-393x	119				
3312610-14	157	FC1007	21	V, 640-477x	77	VP, 640-394x	119				
3312610-19	157	FC1257	21	V, 640-479x	76	WVD001	19, 68				
3312620-14	157	FC1507	21	V, 640-520x	118	WVD002	19, 68				
3312620-19	157	FC2007*	21	V, 640-525x	118	WVS002	68				
3410030-1E	156	FD12-7	22	V, 640-530x	118	WVS002B	233, 237				
3410030-1E77	156	FD18-7	22	V, 640-535x	118	WVS003	68				
3410310-15	155	FS016	28	V, 640-722x	75	WVS003-01B	68				
3410410-10	153	FS019	28	V, 640-723x	75	WVS003B	233, 235, 237				
3410410-15	155	FS022	28	V, 640-732x	75	WVS004B	232				
3410410-SOZ	154	FS026	28	V, 640-733x	75	WVS009	68				
3410610-15	155	FS02629	26	V, 640-820x	80						
3410610-SOZ	154	FS02629-B	26	V, 640-821x	80						
3410612-10	153	FS016197	26	V, 640-822x	80						
3410830-10	153	FS019227	26	V, 640-823x	80						
3410830-15	155	FS022257	26	V, 640-824x	80						
3410830-SOZ	154	MC-2-05	199	V, 640-825x	80						
3411020-1U	152	MC-4-01	199	V, 640-2410	73						
3411621-1A	151	MC-4-02	199	V, 640-3570S	118						
3411621-1U	152	MC-4-03	199	V, 640-3580S	118						
3420310-15	155	MC-4-04	199	V, 640-7410	73						
3420410-10	153	MC-4-05	199	V, 640-7420	75						
3420410-15	155	MS-140	31	V, 640-7500	73						
3420410-SOZ	154	MS-165	31	V, 640-7510	73						
3420610-10	153	MS-270	31	V, 640-7600	73						
3420610-15	155	PD-110	9	V, 640-7610	73						
3420610-SOZ	154	PD-110X	147	V, 640-8290	80						
3420620-1A	151	PD-140	10	V, 640-8297	80						
3420620-10	153	PD-140ABG	17	V, 640-8300	73						
3420620-15	155	PD-165	11	V, 640-8400	74						
3420820-1A	151	PD-225	12	V, 640-8500	73						
3420820-10	153	PD-270	13	V, 640-8600	74						
3420820-15	155	PD-270A	15	V, 640-8800	74						
3420820-SOZ	154	PD-350	14	V, 640-8900	74						
3421020-1U	152	PHC1100-25	32	V, 642-1340	257						
3421221-1A	151	PHC1100-25R	32	V, 642-3270B	257						
3421821-1A	151	SD-07-1-N*	18	V, 642-3630B	257						
3421821-1U	152	SD-07-1-T*	18	VB, 640-191x	254						
3710821-1D	150	SD-07-2-N*	18	VB, 640-234x	254						
3710821-13	150	SD-07-2-T*	18	VB, 640-2260	256						
3711221-1D	150	SD-10-1-N*	18	VB, 640-2261	256						
3711221-13	50	SD-10-1-T*	18	VB, 640-2267	256						
3711621-1D	150	SD-10-2-N*	18	VB, 642-241X	254						
3711621-1V	148	SD-10-2-T*	18	VB, 642-479x	255						
3711621-1W	152	SG3P10430-1	198	VB, 642-479X	255						
3711621-13	150	SMF-107I	32	VB, 642-2400	254, 256						
3712021-1D	150	SMF-110I	32	VB, 642-2401	256						
3712021-1V	148	SMF-115I	32	VB, 642-2407	256						
3712021-13	150	SMF-120I	32	VB, 642-2409-BEI	256						
3720821-1D	150	TW025	126	VB, 642-2409-DKG	256						
3720821-1W	152	TW027	126	VB, 642-2410	256						
3720821-13	150	V, 640-134x	79	VB, 642-2411	256						
3721221-1D	150	V, 640-134xLG	79	VB, 642-2417	256						
3721221-13	150	V, 640-135x	79	VB, 642-2419-BEI	256						
3721621-1D	150	V, 640-136x	78	VB, 642-2419-DKG	256						
3721621-1V	148	V, 640-137x	78	VB, 642-4720	255						
3721621-1W	152	V, 640-184x	75	VB, 645-2150	256						
3721621-13	150	V, 640-191x	75	VB, 645-2151	256						
3722021-1D	150	V, 640-226X	74	VB, 645-2157	256						
3722021-1V	148	V, 640-231x	72	VB, 645-2159-BEI	256						
3722021-13	150	V, 640-234x	75	VB, 645-2159-DKB	256						
3810430-1PDA	16	V, 640-292x	75	VB, 645-2159-DKG	256						
CABASE-V	35	V, 640-378x	118	VP, 640-325x	117						
CAG004-W	44	V, 640-379x	118	VP, 640-328x	117						
CLC012-W	44	V, 640-472x	76	VP, 640-349x	117						

