





Spa hose part numbers ending in B or PB have a durometer that is designed specifically for Spa application.



AVAILABLE IN:

- Clear Vinyl: 1/8", 1/4", 3/8", 3/4", and 1" x 1 1/6"
- White Vinyl: 3/8", 3/4", and 1" x 1 1/4"
- Shur-Grip: 3/4", 3/4" thin, 1 1/2", and 2"
- Flex: 1/2", 3/4", 1", 1 1/4", 1 1/2", 2", 2" thin, 2 1/2", and 3"

Hose and Tubing - Individual Rolls (unwrapped)

Part No.	Description	Color	Ft. / Roll
110-0100B	Vinyl - 1/8" x 1/4"	Clear (0), Red (R)	500
110-0110B	Vinyl - 1/4" x 3/8"	Clear (0), Red (4)	600
110-0120B	Vinyl - 3/8" x 5/16"	Clear (0), White (W)	500
110-0140B	Vinyl - 3/4" x 1"	Clear (0), White (W)	150
110-0150B	Vinyl - 3/4" x 1 1/6"	Clear	100
110-016WB	Vinyl - 1" x 1 1/4"	White	100
120-0110B	Flex - 1/2"	White (0), Black (1)	100
120-0120B	Flex - 3/4"	White (0), Black (1)	100
120-0130B	Flex - 1"	White (0), Black (1)	50
120-0180B	Flex - 1 1/4"	White (0), Black (1)	50
120-0140B	Flex - 1 1/2"	White (0), Black (1)	50
125-0110B	Flex - 1 1/2" x 100 ft.	White (0), Black (1)	100
120-0150B	Flex - 2"	White (0), Black (1)	50
125-0120B	Flex - 2" x 100 ft.	White (0), Black (1)	100
120-0250B	Flex - 2" thin	White (0), Black (1)	50
120-0160B	Flex - 2 1/2"	White (0), Black (1), Gray (7)	50
130-0210B	Shur-Grip - 3/4" thin	Clear/White (0), White (W)	100

Hose and Tubing - Pallets (unwrapped)

Part No.	Description	Color	Ft. / Pallet	Rolls / Pallet
110-0110PB	Vinyl - 1/4" x 3/8"	Clear (0), Red (4)	33,000	55
110-0120PB	Vinyl - 3/8" x 5/16"	Clear (0), White (W)	20,000	40
110-0140PB	Vinyl - 3/4" x 1"	Clear (0), White (W)	6,000	40
110-0150PB	Vinyl - 3/4" x 1 1/6"	Clear	4,000	40
110-016WPB	Vinyl - 1" x 1 1/4"	White	2,800	28
120-0110PB	Flex - 1/2"	White (0), Black (1)	6,800	68
120-0120PB	Flex - 3/4"	White (0), Black (1)	5,600	56
120-0130PB	Flex - 1"	White (0), Black (1)	2,800	56
120-0180PB	Flex - 1 1/4"	White (0), Black (1)	1,200	24
120-0140PB	Flex - 1 1/2"	White (0), Black (1)	1,200	24
125-0110PB	Flex - 1 1/2" x 100 ft.	White (0), Black (1)	1,200	12
120-0150PB	Flex - 2"	White (0), Black (1)	900	18
125-0120PB	Flex - 2" x 100 ft.	White (0), Black (1)	900	9
120-0250PB	Flex - 2" thin	White (0), Black (1)	900	18
120-0160PB	Flex - 2 1/2"	White (0), Black (1), Gray (7)	800	16
130-0210PB	Shur-Grip - 3/4" thin	Clear/White (0), White (W)	5,600	56



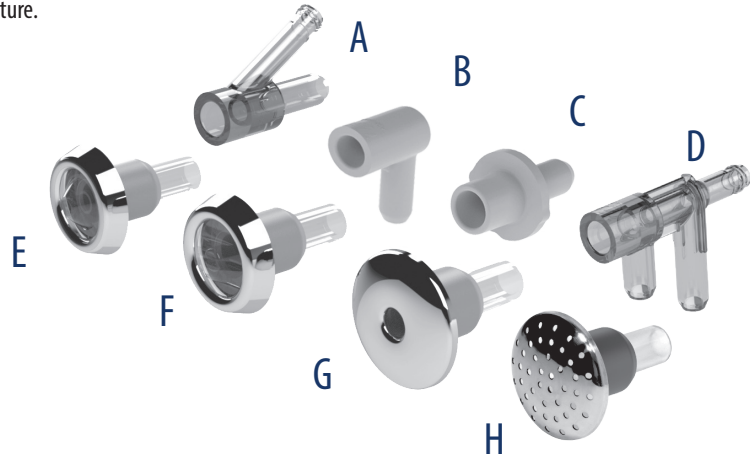
SGMS Technology

Designed for both ultra-low cost and ease of assembly, Waterway's new micro components offers stimulating performance when used as a jet and an amazing display when used as a water feature.



Features:

- Micro sized (just 1 ¼" in diameter)
- Ultra-easy to install (just drill hole, press in grommet, then jet)
- Triple purpose micro jet/water rope feature/air injector
- Micro fan feature
- Multiple body options (Including no body option)
- Available with stainless steel escutcheon
- Silicone & EPDM grommets available
- LED versions optional
- Very cost efficient
- Great air draw

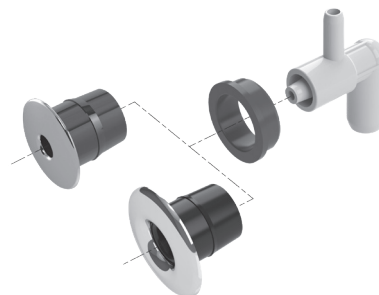


SGMS Micro Components

Part No.	Description	Figure1	Color	Case Quantity
425-4030	3/8" in SB Straight Adaptor	C	White	500
425-6000	Micro 90° Ell Adaptor, 3/8" SB	B	White	1100
425-6038	Micro Jet Venturi, Same Side 3/8" SB with LED Port	D	Clear	800
425-6048	SGMS1" Micro Water Feature 30° Wye 3/8" SB with LED Port	A	Clear	1000
670-2709-DSG	SGMS 1 ¼" Micro Jet Assy ; ¼" Nozzle w/ injector & EPDM Grommet	G	DSG	200
670-2701S	SGMS 1 ¼" Micro Jet Assy ; ¼" Nozzle w/ injector & EPDM Grommet	G	Stainless	200
670-2708-SI	SGMS 1 ¼" Micro Jet Assy ; ¼" Nozzle w/ injector & Silicone Grommet:	G	Clear	200
670-2708S-SI	SGMS 1 ¼" Micro Jet Assy ; ¼" Nozzle w/ injector & Silicone Grommet:	G	Stainless	200
670-2718-SI	SGMS 1 ¼" Micro Small Nozzle 0.200" Jet Assy; with injector & Silicone Grommet	E	Clear	200
670-2718S-SI	SGMS 1 ¼" Micro Small Nozzle 0.200" Jet Assy; with injector & Silicone Grommet	E	Stainless	200
670-2588S-SI	SGMS 1 ¼" Micro Water Feature Fan Assy: With Feature & Silicone Grommet	F	Stainless	200
670-2778S	SGMS Micro Multi Air Injector with EPDM Grommet	H	Stainless	500

Note: All metal micro components are made with 316 Stainless Steel

SGMS Technology



NEW!



SGMS Ozone Cluster Jets

Part No.	Description	Case Quantity
670-2900	SGMS Ozone Cluster Body 3/8" SB X 3/4" SB w/.200 Nozzle	100
670-2910	SGMS Ozone Cluster Body 3/8" SB X 3/4" SB w/.250 Nozzle	100
806-2200-EP	EPDM SGMS Ozone Cluster Grommet	
215-2249-DSG	SGMS Ozone Jet Internal; Regular Face 1-5/8" Diameter; DSG	100
215-2241S	SGMS Ozone Jet Internal; Regular Face 1-11/16" Diameter; Stainless	100
215-2259-DSG	SGMS Ozone Jet Internal; Large Face 2" Diameter; DSG	100
215-2251S	SGMS Ozone Jet Internal; Large Face 2-4/25" Diameter; Stainless	100

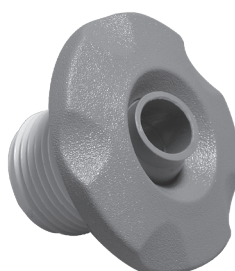

215-9860

212-9900S / 215-9907

215-9847

212-9890S

215-9837

212-8810

212-8837

Cluster Jet Internals

Part No.	Description	Case Quantity
215-9869-DSG	Ozone Jet Internal; Uni-Directional; 1.5" Diameter; DSG	100
212-9870	Ozone Jet Internal; Uni-Directional; 1.5" Diameter; Stainless	500
215-9959-DSG	Ozone Jet Internal; Fixed Directional; 1.8" Diameter; DSG	500
215-9840	Ozone Jet Internal; Large Face 1" Diameter; Uni-Directional; .360 Orifice; 1.9" Diameter; White	65
212-9899-DSGS	Ozone Jet Internal; Thick Large Face Uni-Directional; 2.1" Diameter; Stainless	250
215-9829-DSG	Ozone Jet Internal; Smooth Thick Large Face Uni-Directional; 2" Diameter; DSG	500
215-9839-DSG	Ozone Jet Internal; 5-Scallop Thick Large Face Uni-Directional; 2" Diameter; DSG	500
212-8817	Ozone Cluster Jet Internal; Smooth Large Face; Adj. Directional; 2" Diameter; Gray	250
212-8837	Ozone Cluster Jet Internal; 5-Scallop Large Face; Adj. Directional; 2" Diameter; Gray	250
215-9909-DSG	Ozone Cluster Jet Internal; Smooth XL Face; Uni-Directional; 2.4" Diameter; DSG	250
215-9921S	Ozone Cluster Jet Internal; Smooth XL Face; Uni-Directional; 2.4" Diameter; Stainless	250



Ozone Cluster Jet Body Assemblies

Part No.	Description	Case Quantity
211-0380	Cluster Ozone Straight Jet Body; 1/2" Slip X 3/8" SB	250
212-0090	Ell Cluster Ell Jet Body; 3/4" RB X 3/8" RB with Nozzle	200
212-0540	Ell Body - No Air x 3/4" S Water with Nozzle	180
212-0550	Ell Body - 3/8" SB Air x 3/4" SB Water with Nozzle	180
212-0590	Ell Body - 3/8" RB Air x 3/4" S Water with Nozzle	180
212-0690	Ell Cluster Jet Body; 3/4" SB X 3/8" SB with Kraton L-Gasket	180



Universal Cluster Jets

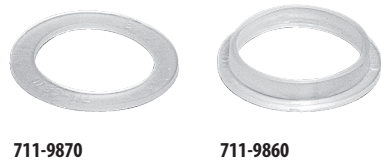
Part No.	Description	Case Quantity
212-0500	Universal Cluster Jet Body Assembly - 3/4" RB x 90° Ell - Flat Gasket	200

Euro Blaster Jet Body and Wall Fitting Assembly

212-4159-DSG	3/4" RB x 3/8" SB - 1/2" Orifice - 25 GPM @ 15 PSI	200
---------------------	--	-----

Cluster Jet Accessories

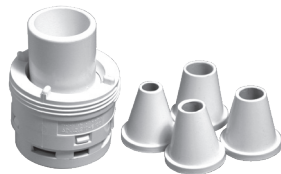
Part No.	Description	Case Quantity
711-9870	Kraton Flat Gasket; Cluster Ozone Jet; Clear	500
711-9860	Kraton L-Gasket; Cluster Ozone Jet; Clear	500
711-4070	Kraton Gasket; Cluster Ozone Jet for O-Ring Groove	500



Spa Jets



210-6040



210-8750



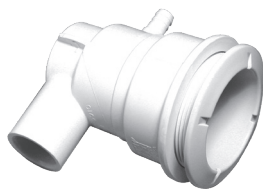
210-9790



210-5830



210-5860



210-5910



210-9500



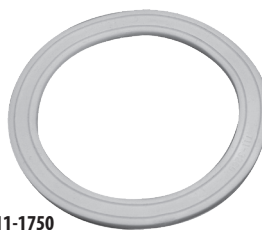
210-5870



210-5950



Metric
210-5937 711-1730



711-1750



218-1770A



916-1250

Standard Poly Jets

Part No.	Description	Case Weight	Case Quantity
210-6040	Adjustable - Caged Style	11.6 lbs.	75
210-8750	Monster - Caged Style (5/16" - 3/8" - 7/16" - 1/2" Orifice)	8.39 lbs.	50
210-9790	Whirlpool - Caged Style (3/4" Orifice)	6.05 lbs.	50

Poly Jet Body Assemblies

Part No.	Description	Case Quantity
210-5830	1" S Water x 1" S Air - No Top Plug	40
210-5860	Tee Body - 1 1/2" S Water x 1" S Air - with Top Plug	30
210-5870	Ell Body - 3/4" SB Water x 3/8" SB Air	60
210-5910	Ell Body - 3/4" S Water x 3/8" RB Air	60
210-5950	Straight Body - 1 1/2" S Water x 1/2" / 1" Spigot Air	60
210-5937	NEW Metric Jet Body - 50mm Water x 20mm Air	60
210-9500	32mm Water x 32mm Air	30

All Poly Jet body assemblies include a body and wall fitting.

Poly Jet Accessories

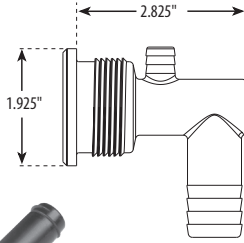
Part No.	Description	Case Quantity
711-1730	L - Gasket	1400
711-1750	Standard Gasket (Thin)	500
711-4750	3/16" Gasket (Thick)	500
916-1250	Escutcheon - Stainless Steel (Standard Poly Jets only)	3
218-1770A	Wrench/Test Plug with O-Ring Assembly	150
805-0132	Wrench O-Ring	25

Note: Products shown may be covered under patents US8458825, CA2644557.



Adj. Cluster Storm

GLO Port Gib
See page 103
for GLO Clip.



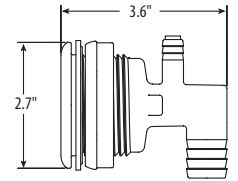
218-9460



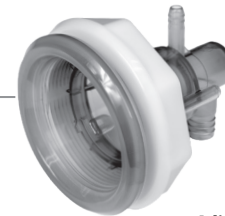
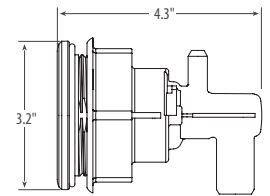
Built-in GLO Ports



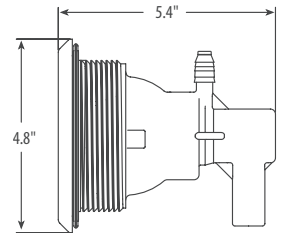
Adj. Mini Storm



Adj. Poly Storm



Adj. Power Storm



Thread-in Jets

IMPROVED STORM JET BODIES

- Molded-in Threads
- Molded-in GLO Ports on Mini, Poly & Power

**MADE IN THE
USA**

Adjustable Cluster Storm Thread-In Jet Body Assemblies

Part No.	Description	Case Quantity
228-1570G	Body Assembly; 3/4" Slip X 3/8" RB; with Kraton L-Gasket & Nut	100
228-1558G	Body Assembly; 3/4" RB X 3/8" RB; with Kraton L-Gasket & Nut	100
228-1568G	Body Assembly; 3/4" SB X 3/8" SB; with Kraton L-Gasket & Nut	100
228-1720G	Body Assembly; 3/4" RB NO AIR; with Kraton L-Gasket & Nut	100

Mini-Storm Thread-In Jet Body Assemblies

Part No.	Description	Case Quantity
228-0308G	Body Assembly; 3/4" RB x 3/8" RB; with Kraton L-Gasket & Nut	100
228-0338G	Body Assembly; 3/4" SB x 3/8" SB; with Kraton L-Gasket & Nut	100
228-0340GA	Body Assembly; 3/4" RB NO AIR; with Kraton L-Gasket & Nut	100

Poly Storm Thread-In Jet Body Assemblies

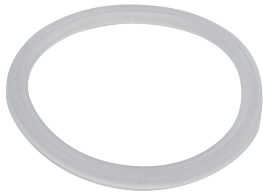
Part No.	Description	Case Quantity
228-0408G	Body Assembly; 3/4" RB X 3/8" RB; with Kraton L-Gasket & Nut	70
228-0438G	Body Assembly; 3/4" SB X 3/8" SB; with Kraton L-Gasket & Nut	70
228-0410G	Body Assembly; 3/4" in slip X 3/8" RB; with Kraton L-Gasket & Nut	70

Power Storm Thread-In Jet Body Assemblies

Part No.	Description	Case Quantity
228-0048G	Body Assembly; 3/4" RB X 3/8" RB; with Kraton L-Gasket & Nut	25
228-0010G	Body Assembly; 3/4" SB X 3/8" SB; with Kraton L-Gasket & Nut	25
228-0020	Body Assembly; 3/4" slip X 3/8" RB; with Kraton L-Gasket & Nut	25

Note: Jet bodies include kraton L-Gaskets. Flat & L-Gaskets available in Kranton & EPDM.

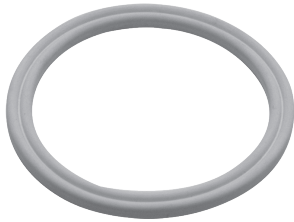
Note: Products shown may be covered under patents US8458825, CA2644557.



711-6910

Storm Jet Flat Kraton Gaskets

Part No.	Description
711-6910	Mini Storm Flat Gasket
711-4410	Poly Storm Flat Gasket
711-6608	Power Storm Flat Gasket



806-0011

Storm Jet Flat EPDM Gaskets

Part No.	Description
806-0010	Cluster Storm EPDM Flat Gasket
806-0011	Mini Storm EPDM Flat Gasket
806-0012	Poly Storm EPDM Flat Gasket
806-0013	Power Storm EPDM Flat Gasket



711-6900

Storm Jet Kraton L-Gaskets

Part No.	Description
711-5140L	Cluster Storm Kraton L-Gasket
711-6900	Mini Storm Kraton L-Gasket
711-4400	Poly Storm Kraton L-Gasket
711-6500	Power Storm Kraton L-Gasket



806-0021

Storm Jet EPDM 55 Shore L-Gaskets

Part No.	Description
806-0018	Cluster Storm 55 Shore EPDM L-Gasket
806-0021	Mini Storm 55 Shore EPDM L-Gasket
806-0022	Poly Storm 55 Shore EPDM L-Gasket
806-0023	Power Storm 55 Shore EPDM L-Gasket



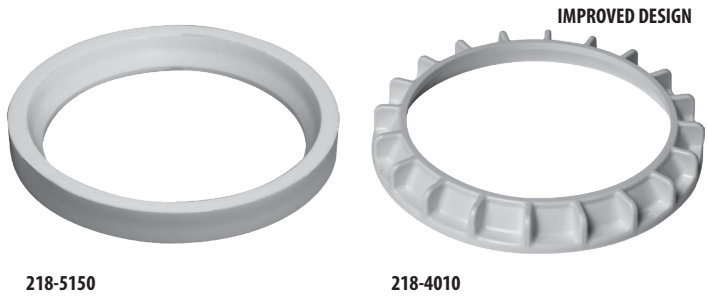
806-0061

Storm Jet Silicone 45 Shore L-Gaskets

Part No.	Description
806-0060	Cluster Storm Silicone 45 Shore L-Gasket
806-0062	Poly Storm Silicone 45 Shore L-Gasket
806-0063	Power Storm Silicone 45 Shore L-Gasket

Storm Jet Silicone 50 Shore L-Gaskets

Part No.	Description
806-7800-S	Cluster Storm 50 Shore L-Gasket
806-7810-S	Mini Storm 50 Shore L-Gasket
806-7820-S	Poly Storm 50 Shore L-Gasket
806-7830-S	Power Storm 50 Shore L-Gasket



Storm Jet Self-Alignment Rings

Part No.	Description	Case Quantity
218-5150	Cluster Storm Self Alignment Ring	500
718-6960	Mini Storm Self Alignment Ring	700
218-4010	Poly Storm Self Alignment Ring	500
218-6680	Power Storm Self Alignment Ring	160
218-6680T	Power-Storm Self-Alignment Ring - Thin	160



LED Clips

Part No.	Description	Case Quantity
218-9460	GLO LED Clip for Cluster Storm Body	2000



SGMS Technology



SGMS Storm Jet Body Assemblies

Part No.	Description	Case Qty.
228-2408	SGMS Cluster Storm Jet Body Assy; 3/4" RB X 3/8" RB; Grommet Included	100
228-2418	SGMS Cluster Storm Jet Body Assy; 3/4" SB X 3/8" SB; Grommet Included	100
228-2448	SGMS Cluster Storm Jet Body Assy; 3/4" RB No Air; Grommet Included	100
228-3408	SGMS Mini Storm Jet Body Assy; 3/4" RB X 3/8" RB; Grommet Included	100
228-3418	SGMS Mini Storm Jet Body Assy; 3/4" SB X 3/8" SB; Grommet Included	100
228-4408	SGMS Poly Storm Jet Body Assy; 3/4" RB X 3/8" RB; Grommet Included	70
228-4418	SGMS Poly Storm Jet Body Assy; 3/4" SB X 3/8" SB; Grommet Included	70
228-5408	SGMS Power Storm Jet Body Assy; 3/4" RB X 3/8" RB; Grommet Included	25
228-5418	SGMS Power Storm Jet Body Assy; 3/4" SB X 3/8" SB; Grommet Included	25

SGMS Storm Jet Body Grommets

Part No.	Description	Case Qty.
806-0140	EPDM Grommet; SGMS Cluster Storm Jet Body, Water Feature; Gray	--
806-0141	EPDM Grommet; SGMS Mini Storm Jet Body; Gray	--
806-0142	EPDM Grommet; SGMS Poly Storm Jet Body, 3in Light; Gray	--
806-0143	EPDM Grommet; SGMS Power Storm Jet; Gray	--

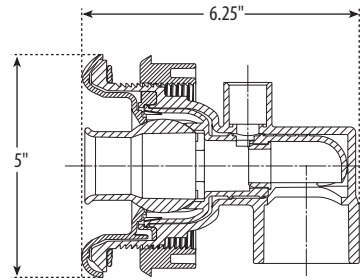
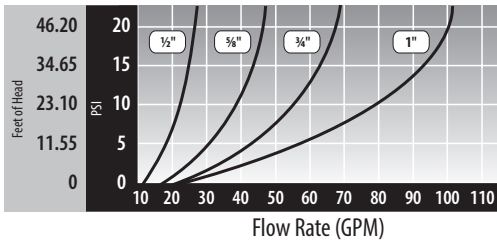
SGMS Storm Jet Body

Part No.	Description	Case Qty.
201-5208	SGMS Cluster Storm Jet Body 3/4" RB X 3/8" RB	150
201-5218	SGMS Cluster Storm Jet Body 3/4" SB X 3/8" SB	150
201-5220	SGMS Cluster Storm Jet Body 3/4" RB X No Air	150
201-5230	SGMS Cluster Storm Jet Body 3/4" SB X No Air	150
201-6878	SGMS Mini Storm Jet Body 3/4" RB X 3/8" RB	180
201-6888	SGMS Mini Storm Jet Body 3/4" SB X 3/8" SB	180
201-6890	SGMS Mini Storm Body 3/4" SB X No Air	180
201-4208	SGMS Poly Storm Jet Body 3/4" RB X 3/8" RB	100
201-4218	SGMS Poly Storm Jet Body 3/4" SB X 3/8" SB	100
201-6738	SGMS Power Storm Jet Body 3/4" RB X 3/8" RB	40
201-6758	SGMS Power Storm Jet Body 3/4" SB X 3/8" SB	40

Whirlpool Jets - Specifications

FEATURES:

- Adjustable flow control
- Large 1 1/2" socket intake
- Available in smooth face and 5-Scallop escutcheons
- Four water nozzle sizes to choose from: 1/2" - 5/8" - 3/4" and 1" (see flow chart)
- Self-alignment ring available for use without silicone (optional)
- Universal on/off control (on = counter clockwise / off = clockwise)
- Available as Glo Jets



Whirlpool Bodies

Part No.	Description	Case Quantity
228-2008	GLO Whirlpool Jet Body Assy, 1 1/2" Slip X 1/2" Slip; W/Kraton Flat Gasket & Nut	25
228-2008GA	GLO Whirlpool Body Assy, 1 1/2" Slip X 1/2" Slip; W/Kraton L-Gasket & Nut	25

Note: For Glo Whirlpool Jet bodies, change the last number to 8. ie: 228-2008

SGMS Whirlpool Bodies

Part No.	Description	Case Quantity
228-6308	GLO SGMS Whirlpool Jet Body Assembly; 1 1/2" Slip X 1/2" Slip W/EPDM Grommet	25

Note: Other styles available upon request

Whirlpool Jet Internals

Part No.	Description	Case Quantity
239-5709S-DSG	Adjustable Whirlpool Omni Majestic Directional Internal; DSG/Stainless	40
239-8809S-DSG	Adjustable Whirlpool Omni Eclipse Directional Internal; DSG/Stainless	40

Whirlpool Accessories

Part No.	Description	Case Quantity
223-0010	Air Check Valve Adapter - 3/8" SB x 1/2" Spigot	600



223-0010

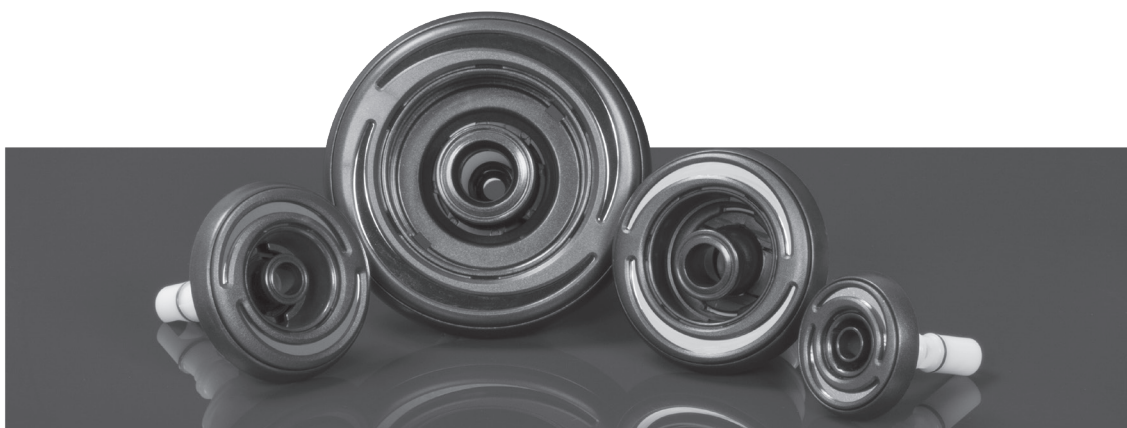


Omni Storm Jets



Omni Storm Jets - Orion

Part No.	Jet Type	Eyeball	Size	Style	Case Qty.
239-4009S-DSG	Cluster Storm	Directional	2 ¼"	DSG/Stainless	200
239-4019S-DSG	Cluster Storm	Twin Roto	2 ¼"	DSG/Stainless	200
239-4209S-DSG	Mini Storm	Directional	3 ⅝"	DSG/Stainless	150
239-4229S-DSG	Mini Storm	Twin Roto	3 ⅝"	DSG/Stainless	150
239-4909S-DSG	LG Poly Storm	Directional	4 ¾"	DSG/Stainless	70
239-4929S-DSG	LG Poly Storm	Twin Roto	4 ¾"	DSG/Stainless	70
239-4969S-DSG	Poly Storm	Directional	4.1"	DSG/Stainless	70
239-4979S-DSG	Poly Storm	Twin Roto	4.1"	DSG/Stainless	70
239-4409S-DSG	Power Storm	Directional	5 ¼"	DSG/Stainless	40
239-4429S-DSG	Power Storm	Twin Roto	5 ¼"	DSG/Stainless	40



Omni Storm Jets - Eclipse

Part No.	Jet Type	Eyeball	Size	Style	Case Qty.
243-8409S-DSG	Cluster Storm	Directional	2.32"	DSG/Stainless	200
243-8439S-DSG	Cluster Storm	Twin Roto	2.32"	DSG/Stainless	200
243-8509S-DSG	Mini Storm	Directional	3.17"	DSG/Stainless	150
243-8539S-DSG	Mini Storm	Twin Roto	3.17"	DSG/Stainless	150
243-8609S-DSG	Poly Storm	Directional	3.61"	DSG/Stainless	70
243-8659S-DSG	Poly Storm	Twin Roto	3.61"	DSG/Stainless	70
243-8709S-DSG	Power Storm	Directional	5.24"	DSG/Stainless	40
243-8739S-DSG	Power Storm	Twin Roto	5.24"	DSG/Stainless	40

Note: Other eyeball types and colors available upon request

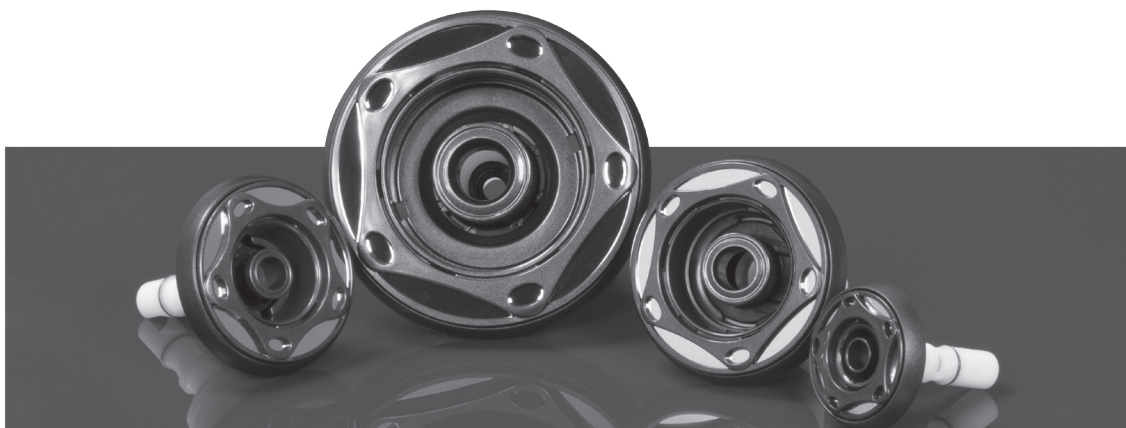


Omni Storm Jets



Omni Storm Jets - 4 Swirl

Part No.	Jet Type	Eyeball	Size	Style	Case Qty.
243-9409S-DSG	Cluster Storm	Directional	2.32"	DSG/Stainless	200
243-9439S-DSG	Cluster Storm	Twin Roto	2.32"	DSG/Stainless	200
243-9509S-DSG	Mini Storm	Directional	3.17"	DSG/Stainless	150
243-9539S-DSG	Mini Storm	Twin Roto	3.17"	DSG/Stainless	150
243-9609S-DSG	Poly Storm	Directional	3.61"	DSG/Stainless	70
243-9639S-DSG	Poly Storm	Twin Roto	3.61"	DSG/Stainless	70
243-9809S-DSG	Power Storm	Directional	5.24"	DSG/Stainless	40
243-9839S-DSG	Power Storm	Twin Roto	5.24"	DSG/Stainless	40



Omni Storm Jets - Revo

Part No.	Jet Type	Eyeball	Size	Style	Case Qty.
243-7009S-DSG	Cluster Storm	Directional	2.32"	DSG/Stainless	200
243-7039S-DSG	Cluster Storm	Twin Roto	2.32"	DSG/Stainless	200
243-7109S-DSG	Mini Storm	Directional	3.17"	DSG/Stainless	150
243-7139S-DSG	Mini Storm	Twin Roto	3.17"	DSG/Stainless	150
243-7209S-DSG	Poly Storm	Directional	3.61"	DSG/Stainless	70
243-7239S-DSG	Poly Storm	Twin Roto	3.61"	DSG/Stainless	70
243-7309S-DSG	Power Storm	Directional	5.24"	DSG/Stainless	40
243-7339D-DSG	Power Storm	Twin Roto	5.24"	DSG/Stainless	40

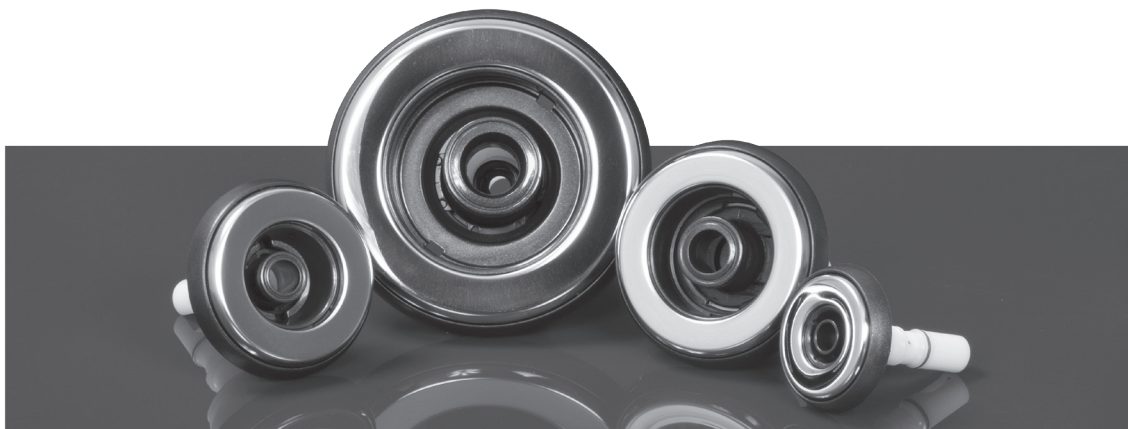
Note: Other eyeball types and colors available upon request

Omni Storm Jets



Omni Storm Jets - Majestic

Part No.	Jet Type	Eyeball	Size	Style	Case Qty.
243-1609S-DSG	Cluster Storm	Directional	2.32"	DSG/Stainless	200
243-1639S-DSG	Cluster Storm	Twin Roto	2.32"	DSG/Stainless	200
243-2609S-DSG	Mini Storm	Directional	3.17"	DSG/Stainless	150
243-2639S-DSG	Mini Storm	Twin Roto	3.17"	DSG/Stainless	150
243-3609S-DSG	Poly Storm	Directional	3.61"	DSG/Stainless	70
243-3639S-DSG	Poly Storm	Twin Roto	3.61"	DSG/Stainless	70
243-5609S-DSG	Power Storm	Directional	5.24"	DSG/Stainless	40
243-5639S-DSG	Power Storm	Twin Roto	5.24"	DSG/Stainless	40



Omni Storm Jets - Smooth

Part No.	Jet Type	Eyeball	Size	Style	Case Qty.
243-3109S-DSG	Cluster Storm	Directional	2.32"	DSG/Stainless	200
243-3139S-DSG	Cluster Storm	Twin Roto	2.32"	DSG/Stainless	200
243-3209S-DSG	Mini Storm	Directional	3.17"	DSG/Stainless	150
243-3239S-DSG	Mini Storm	Twin Roto	3.17"	DSG/Stainless	150
243-3309S-DSG	Poly Storm	Directional	3.61"	DSG/Stainless	70
243-3339S-DSG	Poly Storm	Twin Roto	3.61"	DSG/Stainless	70
243-3409S-DSG	Power Storm	Directional	5.24"	DSG/Stainless	40
243-3439S-DSG	Power Storm	Twin Roto	5.24"	DSG/Stainless	40

Note: Other eyeball types and colors available upon request



NEW!



Air Max Jets

Part No.	Jet Type Description
239-8908-MTB	Cluster Storm Air Max solo stream style
239-8908S-MTB	Cluster Storm Air Max solo stream style w/ metal
239-8918-MTB	Cluster Storm Air Max tri-stream style
239-8918S-MTB	Cluster Storm Air Max tri-stream style w/ metal
239-8928-MTB	Cluster Storm Air Max multi-stream style
239-8928S-MTB	Cluster Storm Air Max multi-stream style w/metal

FEATURES:

- Extra large 7 1/2" construction
- Available with adjustable flow control
- Easy through-wall installation
- 3/4" nozzle = 75 GPM flow
- Two ball bearings for added jet life
- 1 1/2" S x 1 1/2" S plumbing



Master Massage Body Assemblies

Part No.	Description	Case Quantity
228-1108	GLO Non-Adjustable Master Massage Jet Body Assembly; with 2 Glo Tubes, Kraton Flat Gasket & Nut	10
228-1108EP	GLO Non-Adjustable Master Massage Jet Body Assembly; with 2 Glo Tubes, EPDM Gasket & Nut	10
228-1118	GLO Adjustable Master Massage Jet Body Assembly; with 2 Glo Tubes, Kraton Flat Gasket & Nut	10
228-1118EP	GLO Adjustable Master Massage Jet Body Assembly; with 2 Glo Tubes, EPDM Gasket & Nut	10

Load Washer Master Massage Bodies

Part No.	Description	Case Quantity
228-1148EP	GLO Non-Adj. Load Washer Master Massage Jet Body Assy; with 2 Glo Tubes, Load Washer, EPDM Gasket & Nut	10

Master Massage Internals

Part No.	Description	Case Quantity
239-1119S-DSG	Non-Adj. Master Massage Smooth Internal, DSG/Stainless	15
240-1118S	GLO Non-Adj. Master Massage Smooth Internal; Clear/Stainless	15
240-1128S	GLO Adj. Master Massage Smooth Internal; Clear/Stainless	15

Note: For Glo Massage Jet, change the part number prefix to 235-xxxx.

NEW!

FEATURES:

- Natural pulsations without any moving parts, rejuvenate, stimulate and soothe tired feet
- Low profile "Spa Pulse Generator" chamber/body can be mounted under the Spa footwell
- "Spa Pulse Generator" creates and dissolve fine bubbles into the water to enhance the massage and maximize oxygenation of the water
- With the sideway and super high output venturi and 14 active discharge orifices, one jet replaces a bank of several traditional jets



210-9859-DSG



210-9840

Pulsar Foot Massage Jets

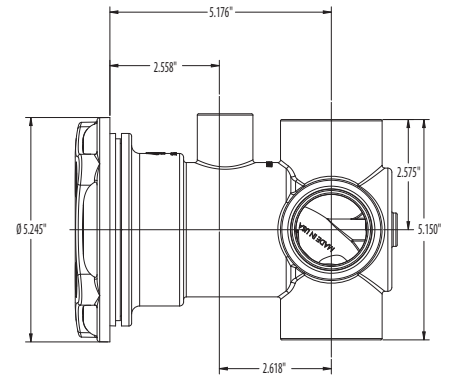
Part No.	Description	Case Quantity
210-9840	5" Pulsar Jet Assy with 1" Venturi	--
210-9859-DSG	6" Pulsar Jet Assy with 1.5" Venturi	16
210-9869-DSG	6" Pulsar Jet Assy with 1" Venturi	16

FEATURES:

- Works as a valve to divert water to one or two locations
- Works as a high volume whirlpool jet
- Comes with a built in check valve
- Plumbing size is 1 1/2" S x 2" Spigot for all water ports and 3/4" RB air port



210-4391



HOLE SAW SIZE - 3.25"

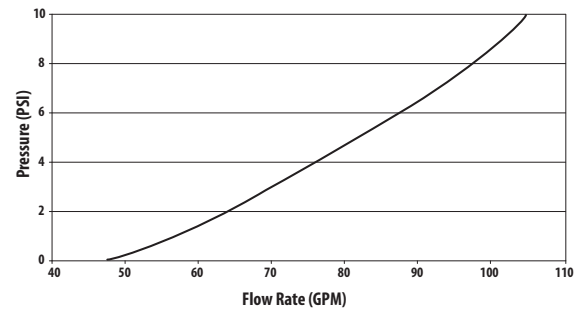


210-4390S



218-4360

Turbo Jet Performance

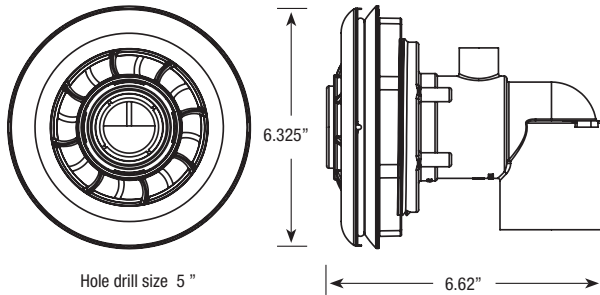


Turbo Jet

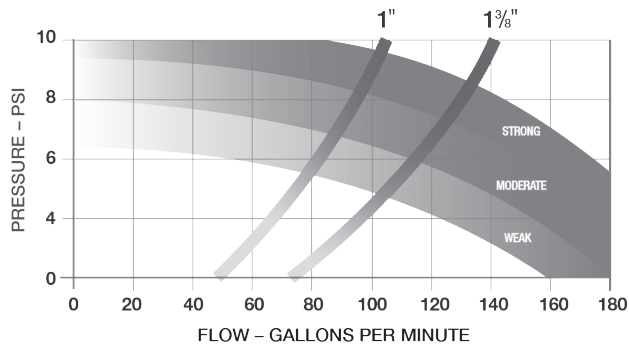
Part No.	Description	Case Quantity
210-4391	1 1/2" S x 2" Spigot Water x 3/4" RB Air - 5 1/4" Flange Diameter	20
210-4399S-DSG	1 1/2" S x 2" Spigot Water x 3/4" RB Air - 5 1/4" Flange Diameter - Stainless Steel	20
218-4360	Turbo Jet Wrench	--



POWER Stream Swim Jet



POWER STREAM JET FLOW CURVE



FEATURES:

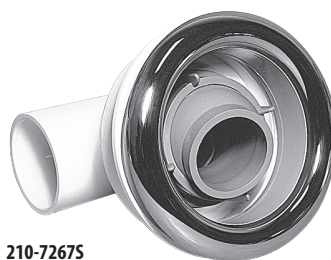
- Through-wall jet installation
- 2" S input for optimum performance
- 1" and 1 3/8" equivalent nozzle sizes
- Nozzles can easily be exchanged
- Sixteen Entraining ports for improved performance
- Four Glo ports for LED lighting
- **Made in America**



Spa Jets

Power Stream Swim Jet

Part No.	Description	Case Quantity
210-08285	Power Stream Swim Jet 1 3/8" Nozzle with Clear/Metal	8
210-08385	Power Stream Swim Jet 1" Nozzle with Clear/Metal	8
210-08485	Power Stream Swim Jet 1 3/8" & 1" Nozzle with Clear/Metal (For Sampling)	8
672-9540	Distributor Manifold 2.5" Slip X (3) 2" Slips	25
672-8050	Wye Manifold 2.5" Slip X 2.5" Slip X 2.5" Slip	20


210-7430

210-72675

210-3917

Old Faithful Jets

Part No.	Description	Case Quantity
210-7430	Ell Body - 2" S Water x 1/2" S Air - 0.925" Orifice - 90 GPM - 5-Scallop	6
210-7440	Ell Body - 2" S Water x 1/2" S Air - 1 1/2" Orifice - 175 GPM - 5-Scallop	6
210-7270S	Ell Body - 2" S Water x 1/2" S Air - 0.925" Orifice - 90 GPM - Stainless Steel	6
210-7260S	Ell Body - 2" S Water x 1/2" S Air - 1 1/2" Orifice - 175 GPM - Stainless Steel	6
210-3910	Straight Body - 2" S Water x 1/2" S Air - 0.925" Orifice - 90 GPM - 5-Scallop	6
210-3920	Straight Body - 2" S Water x 1/2" S Air - 1 1/2" Orifice - 175 GPM - 5-Scallop	6
210-3910S	Straight Body - 2" S Water x 1/2" S Air - 0.925" Orifice - 90 GPM - Stainless Steel	6
210-3920S	Straight Body - 2" S Water x 1/2" S Air - 1 1/2" Orifice - 175 GPM - Stainless Steel	6
210-7300	1/2" S Air x 2" S Water - .925" Orifice - 90 GPM	6
210-7310	1/2" S Air x 2" S Water - 1 1/2" Orifice - 175 GPM	6

See page 196 for Swim Spa configuration diagrams.

Old Faithful Jet Accessories

Part No.	Description	Case Quantity
217-7300	1" Nozzle	1
217-7320	1 1/2" Nozzle	1
711-7300	Gasket	1
218-1570A	Old Faithful Wrench w/ O-ring	45



Waterway proudly announces the release of our new Rip Current Swim Jet. This jet has all the great features and performance of its predecessor "the River Jet", but has been redesigned to allow for easier installation. Simply drill a single 5 3/4" hole in the spa wall and you're ready to install.



Load Washer Technology

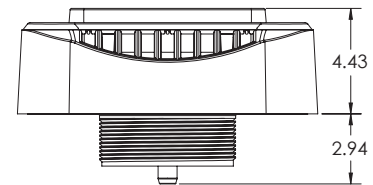
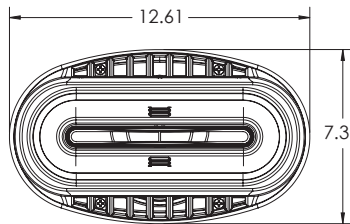
NEW!

Features:

- Super easy installation
- No routing required
- Available with Stainless Steel escutcheon
- Supports six LED lights
- Same performance as the River Jet
- Eyeball turrets up/down 20%
- Made in America!

Specifications:

- Up to 1,000 GPM at 13 PSI
- 8" Wide Eyeball
- XL 2 1/2" S Water X 3/4" SB Air
- Hole saw size: 5 3/4" Dia.



Rip Current Swim Jet

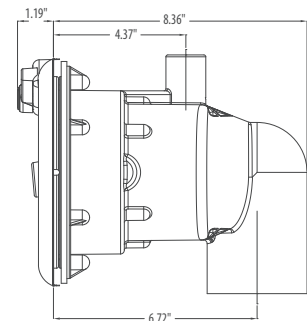
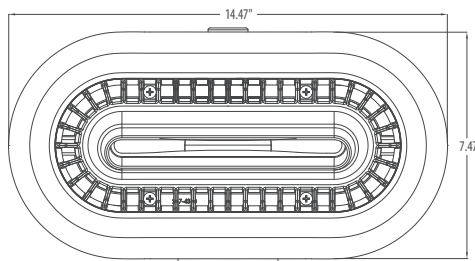
Part No.	Description	Case Quantity
210-5168S-DSG	Rip Current Swim Jet, DSG/Clear/Stainless	3
210-5158	Rip Current Swim Jet Clear	3

210-51005



FEATURES:

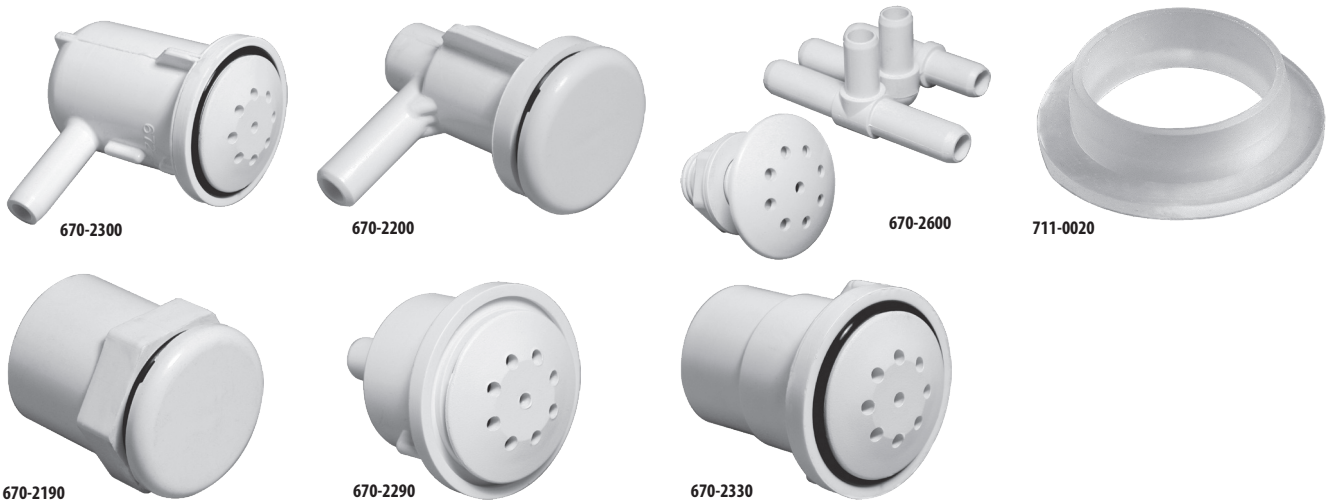
- 8" wide eyeball
- Eyeball turrets up / down 20%
- Vent Enhancement System
- XL 2 1/2" S intake
- Up to 1000 GPM input at 13 PSI



River Jets

Part No.	Description	Case Quantity
210-5107	River Jet Assy, 2 1/2" Slip X 1" Slip; Gray	1
210-5108S	LED River Jet Assy, 2 1/2" Slip X 1" Slip; Clear/Stainless	1

See page 196 for Swim Spa configuration diagrams.



Top-Flo Air Injectors

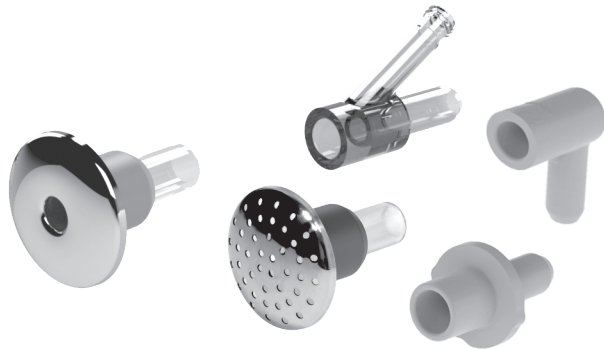
Part No.	Description	Color	Case Quantity
670-2300	3/4" SB Ell Body Assembly	White	100
670-2350	3/4" SB Ell Body Assembly	Stainless	100
670-2600	3/4" SB Multi-Body Assembly	White	200
670-2330	1" Spigot Straight Body Assembly	White	100
670-3280	1" Spigot Straight Body Assembly	Stainless	100
670-2290	3/8" SB Straight Body Assembly	White	150
670-2390	3/8" SB Straight Body Assembly	Stainless	150
670-2550	Ozone Air Injector; 3/8" SB	Stainless	150

Lo-Pro Air Injectors

Part No.	Description	Color	Case Quantity
670-2190	1" Spigot X 1" Slip Adaptor Style	Stainless	75
670-2200	3/8" SB Ell Body	White	150
670-2210	3/8" SB Ell Body	Stainless	150
711-1350	Kraton L-Gasket; Low-Pro Air Injector	Clear	Each



SGMS Technology



SGMS Air Injectors

Part No.	Description	Color	Case Quantity
670-2778S	SGMS Micro Multi Air Injector with EPDM Grommet	Stainless	500
670-2701S	SGMS Micro Rope Air Injector with EPDM Grommet	Stainless	300
670-2451S	SGMS Micro Rope Air Injector Long Throat with EPDM Grommet	Stainless	300
425-4030	3/8" SB Micro Straight Adaptor	White	500
425-6000	3/8" SB Micro 90° Adaptor	White	1,100
425-6048	3/8" LED Micro Wye Adaptor	Clear	1000

See the hole saw size chart pg 191.



Stealth II



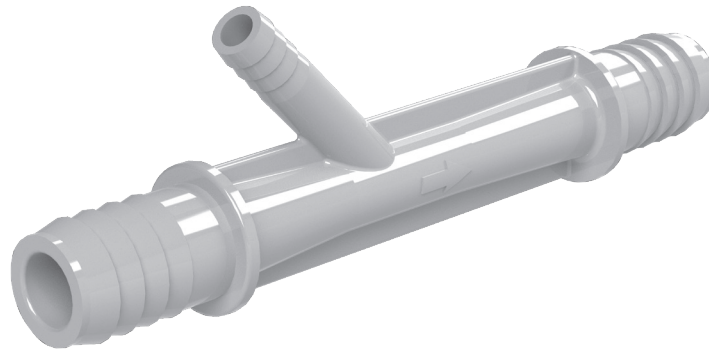
FEATURES:

- High performance motor runs cooler and quieter
- High impact resistant construction
- Has been tested, certified and listed by UL to requirements of both UL and CSA standards

Stealth II Blower

Part No.	Description	Case Quantity
700-3102-58J	1.0 HP - 220V, 1 1/2" Slip / 2" Spigot; 5ft Cord; 4-Pin AMP	6

*See Blower Sizing on page 190 to calculate your required blower size.
Listed price is without cord. Please call Waterway for part number and pricing with cord.*



Ozone Injector

Part No.	Description	Case Quantity
672-3000	Ozone Injector 3/4" RB X 3/8" RB	100



640-0427



640-0401S



640-0437

Low Profile Drain Assemblies

Part No.	Description	Color	Case Quantity
640-0407	Lo-Profile Drain Assembly, 3/4" S	Gray	100
640-0407S	Lo-Profile Drain Assembly, 3/4" S	Stainless	100
640-0429-DSG	Lo-Profile Drain Assembly, 3/4" SB	DSG	100
640-0427S	Lo-Profile Drain Assembly, 3/4" SB	Stainless	100
640-0487	Lo-Profile Drain Assembly, 1/2" S	Gray	100
640-0437	Lo-Profile Large Face Drain Assembly, 1/2" S	Gray	100



640-4340



640-4447



90° Ell Low Profile Spa Floor Service Drains

Part No.	Description	Color	Case Quantity
640-4347	Lo-Pro Floor Drain, 3/4" Slip 90° Drain Ell	Gray	48
640-4407	Lo-Pro Floor Drain, 1" Slip 90° Drain Ell	Gray	40
640-4449-DSG	Lo-Pro Floor Drain, 3/4" SB 90° Drain Ell	DSG	40



SGMS Technology



FEATURES:

- Micro size (just 1 1/2" in dia.)
- Installs using SGMS technology
- Easy to plumb using 3/8" tubing
- Multiple body options
- LED optional

SPECIFICATIONS:

- 1 1/2" diameter
- 1.25 GPM @ 3 PSI
- 2.55 GPM @ 15 PSI
- Hole saw size 43/64"

SGMS Floor Sweeps

Part No.	Description	Color	Case Quantity
670-2739-DSG	S.G.M.S Micro Floor Sweep 1 1/2" Diameter with EPDM Grommet	DSG	200
425-4030	3/8" SB Micro Straight Adaptor	White	500
425-6000	3/8" SB Micro 90° Adaptor	White	1,100
425-6048	3/8" LED Micro Wye Adaptor	Clear	1000

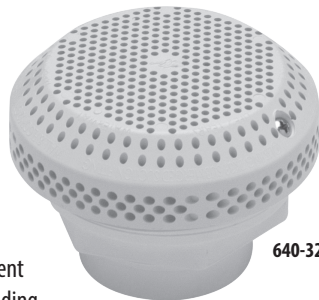


WARNING

Read and follow all instructions in the Owner's Manual for all equipment.
Failure to follow instructions can cause injury and/or death.



All Waterway Drains, Grates and Suctions are Listed and Certified and Tested in strict accordance to the requirements of ASME A112.19.8-2007 and ASME A112.19.8a-2008 (as defined in CPSC letter dated April 8, 2011). Compliant to the latest Consumer Safety Product Commission Requirements (CPSC).



640-3250 VP



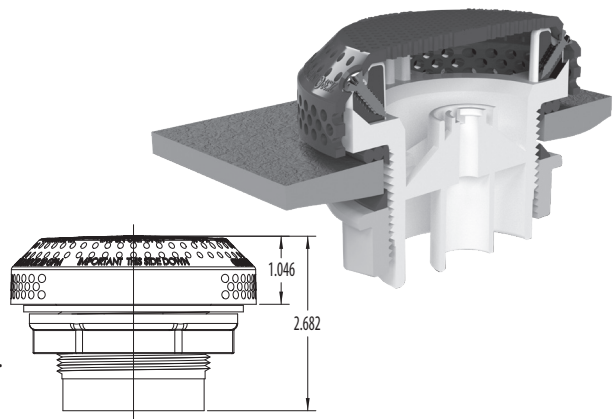
Patent Pending

FEATURES:

- New Hi-Flo rating of 128 GPM (without vacuum break)
- For portable spas
- Available in 1 1/2" S sizes

SPECIFICATIONS:

- Total Open Area: 4.01 sq. in.
- Floor Flow Rate: N/A
- Wall Flow Rate: 128 GPM



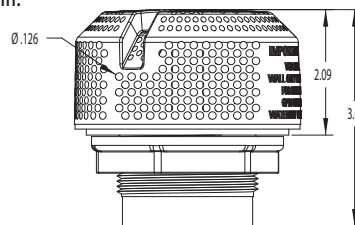
Note: For Load Washer suction change the prefix to 644-XXXX

SPC-2 VP - 3.5" Hi-Flo Suctions

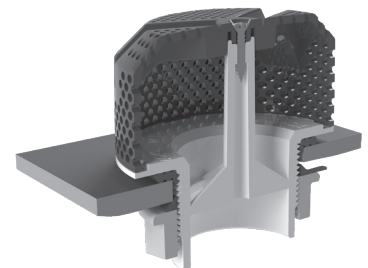
Part No.	Description	Case Quantity
640-325x VP	Hi-Flo Suction Assembly - 1 1/2" Hex (without Vacuum Break)	80
640-328x VP	Hi-Flo Suction Assembly - 1 1/2" 90° Ell (without Vacuum Break)	80

SPECIFICATIONS:

- Total Open Area: 6.24 sq. in.
- Floor Flow Rate: N/A
- Wall Flow Rate: 160 GPM
- For portable spas



640-3497 VP



3.5" Ultra Hi-Flo Suctions

Part No.	Description	Case Quantity
640-349x VP	3.5" Ultra Hi-Flo Suction - Tall Assembly	50

Replace the final x in the part number with the color of your choice (see page 4 for colors).

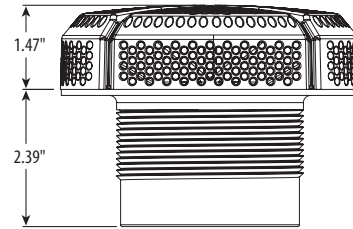
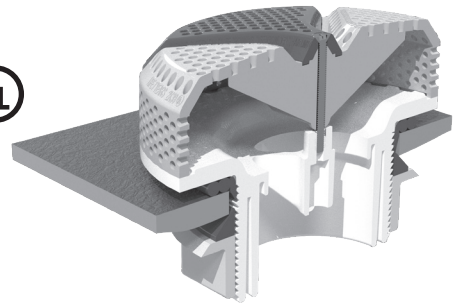
Note: For Load Washer suction change the prefix to 644-XXXX



Patent # US D629,875 S

FEATURES:

- Flow Rate of 180 GPM (portable spas only)
- Available in 2" and 2 ½" S sizes
- Two tone color for additional color coordination
- Available in Stainless Steel / color of your choice



Note: For Load Washer suction change the prefix to 644-XXXX

5" Designer Pro Series Suctions

Part No.	Description	Case Quantity
640-520x V	5" Designer Pro Series Suction - 2" S - Two Tone	30
640-525x V	5" Designer Pro Series Suction - 2 ½" S - Two Tone	30
640-530x V	5" Designer Pro Series Suction - 2" S - Two Tone Stainless Steel	35
640-535x V	5" Designer Pro Series Suction - 2 ½" S - Two Tone Stainless Steel	35

Replace the final x in the part number with the color of your choice (see page 4 for colors).



640-3797 V

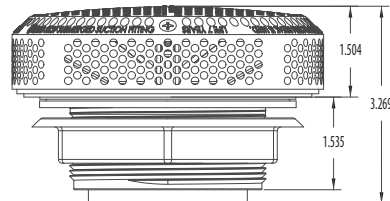
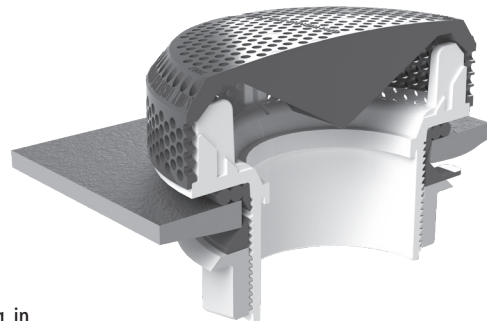


FEATURES:

- Flow rate of 180 GPM with 2" wall fitting
251 GPM with 2 ½" wall fitting (portable spas only)
- Available with load washer

SPECIFICATIONS:

- Total Open Area: 9.02 sq. in.

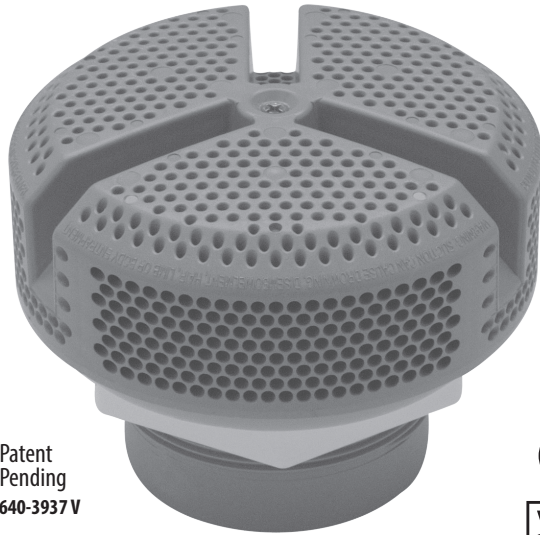


SPC-3 VP - 5" Super Hi-Flo Suctions

Part No.	Description	Case Quantity
640-378x V	5" Super Hi-Flo Suction Assembly - 2" S	35
640-379x V	5" Super Hi-Flo Suction Assembly - 2 ½" S	35
640-3570S V	5" Super Hi-Flo Suction Assembly - 2" S - Stainless Steel	35
640-3580S V	5" Super Hi-Flo Suction Assembly - 2 ½" S - Stainless Steel	35

Replace the final x in the part number with the color of your choice (see page 4 for colors).

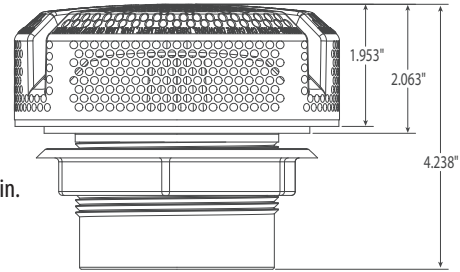
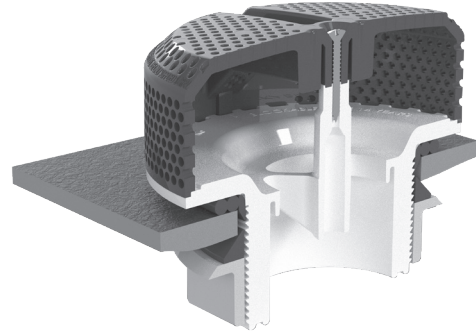
Note: For Load Washer suction change the prefix to 644-XXXX



Patent Pending
640-3937V



VGB
2017



FEATURES:

- Ultra Flo Rating of 264 GPM (portable spas only)
- Available in 2" and 2 1/2" S sizes

SPECIFICATIONS:

- Total Open Area: 11.87 sq. in.

5" Ultra Flo Suctions

Part No.	Description	Case Quantity
640-394x VP	5" Ultra Flo Suction Assembly - 2" S	35
640-393x VP	5" Ultra Flo Suction Assembly - 2 1/2" S	35

Replace the final x in the part number with the color of your choice (see page 4 for colors)

Note: For Load Washer suction change the prefix to 644-XXXX



Fittings for Suctions

Part No.	Description	Case Quantity
642-3680	2 1/2" X 2" Slip Straight Adaptor	80
642-3700	2 1/2" SPG X 2" S 90° EII Adaptor	50
642-3610	2" S X 2" S 90° EII Threaded Adaptor	35

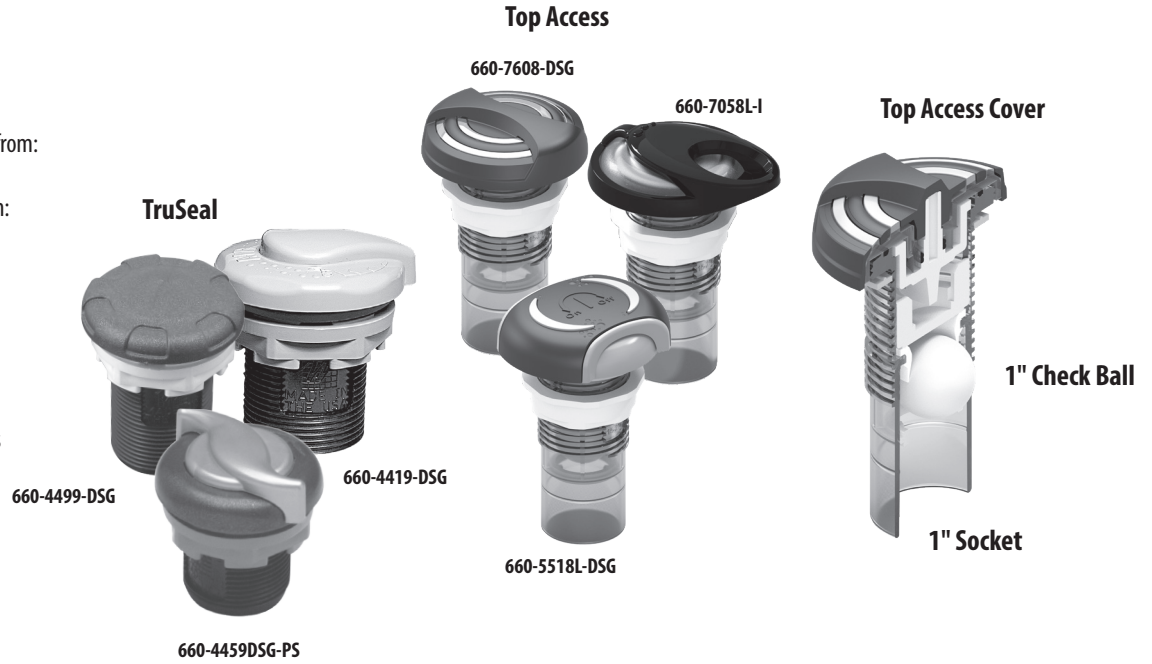


TRUSEAL FEATURES:

- Low-Profile design
- Compression molded silicone umbrella valve
- Three handle styles to choose from: standard and stainless steel
- Two body styles to choose from: short and extra short
- Available in a variety of colors

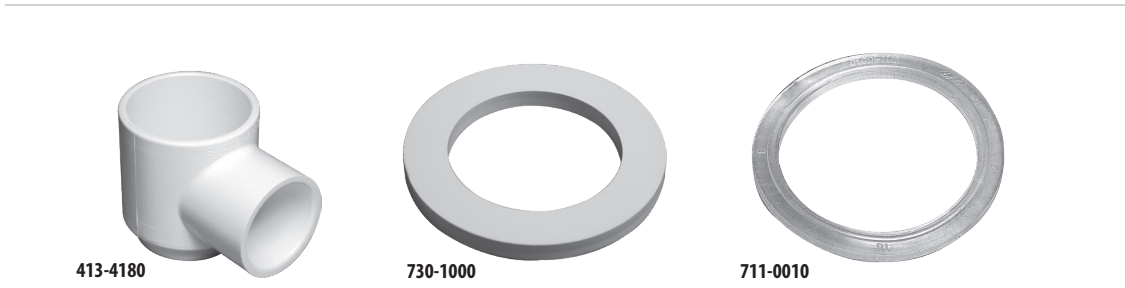
TOP-ACCESS FEATURES:

- Top accessible for easy service
- Improved fine tune air controls
- Many styles to choose from
- 1" check ball
- 1" socket



TruSeal Air Controls

Part No.	Description	Color	Case Quantity
660-4419-DSG	Extra Short Body - 2"	DSG	200
660-4499-DSG	6 - Spoke Extra Short Body - 2"	DSG	150
660-4459DSG-PS	S - Handle Extra Short Body - 2"	DSG/Silver	150



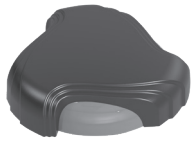
Air Control Options

Part No.	Description	Case Quantity
413-4180	Blower Assist Tee - F.A.S. 1" S	200
413-4200	Blower Assist Tee - F.A.S. ½" S	100
413-4800	SGMS Blower Assist Tee - 1" S	200
413-4292	Snap Blower Assist Tee - 1" S	150
711-0010	Gasket	1000

Top Side Control Styles



Eclipse



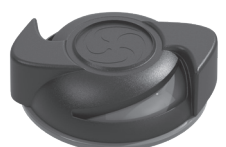
Luxe



Orion



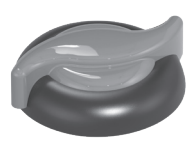
Majestic



Pin Wheel



5-Scallop



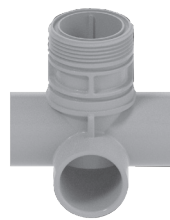
S-Handle

100% ON/OFF Valves

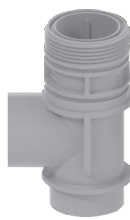
Positive Seal Valves



100% ON/OFF Plunger



1" S Horizontal ON/OFF Valve Body



1" S ON/OFF Single Port Valve Body Vertical



ON/OFF Wedge Valve Stem



3/4" S ON/OFF Single Port Vertical Valve Body



3/4" SB ON/OFF Vertical Single Port Valve Body

Diverter Valves



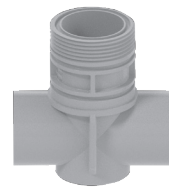
Positive Seal Diverter



Enclosed Diverter



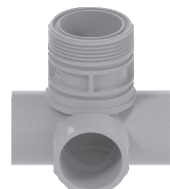
Standard Diverter



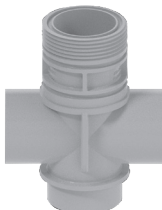
1" S Flo-Thru Valve Body



1" S & 2" S Vertical Single Port Valve Body



1" S & 2" S Horizontal Valve Body



1" S & 2" S Vertical Valve Body



3/4" SB Vertical Single Port Valve Body



3/4" SB Vertical Diverter Valve Body



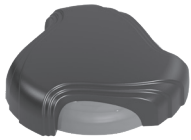
1" & 2" S Glue-In Horizontal Diverter Valve Body

Top Side Valves



Orion

Air Controls - Orion			
Part No.	Jet Type	Color	Case Qty.
660-7608-DSG	Top Access Air Control	DSG/Clear	100
100% On/Off Valves - Orion			
600-7628-DSG	1" S 100% Shut-off On/Off Valve, Vertical	DSG/Clear	80
Positive Seal On/Off Valves - Orion			
600-3688-DSG	3/4" S Positive Seal On/Off Valve, Vertical	DSG/Clear	100
600-3668-DSG	3/4" SB Positive Seal On/Off Valve, Vertical	DSG/Clear	100
601-7749DSG-8	1" S Positive Seal On/Off Valve, Vertical	DSG/Clear	80
Diverter Valves - Orion			
600-4568-DSG	1" S Diverter Valve, Vertical	DSG/Clear	80
600-4308-DSG	1" S Positive Seal Diverter Valve, Vertical	DSG/Clear	70
600-7608-DSG	2" S Diverter Valve, Vertical	DSG/Clear	20



Luxe

Air Controls - Luxe			
660-3919DSG-TT	Top Access Air Control	DSG/Titanium	100
100% On/Off Valves - Luxe			
600-3939DSG-TT	1" S 100% Shut-off On/Off Valve, Vertical	DSG/Clear	80
Positive Seal On/Off Valves - Luxe			
600-4299DSG-TT	3/4" S Positive Seal On/Off Valve, Vertical	DSG/Titanium	100
600-3929DSG-TT	3/4" SB Positive Seal On/Off Valve, Vertical	DSG/Titanium	100
600-4119DSG-TT	1" S Positive Seal On/Off Valve, Vertical	DSG/Titanium	80
Diverter Valves - Luxe			
600-3969DSG-TT	1" S Diverter Valve, Vertical	DSG/Titanium	80
600-9039GDSG-TT	1" S Positive Seal Diverter Valve, Vertical	DSG/Titanium	70
600-3919DSG-TT	2" S Diverter Valve, Vertical	DSG/Titanium	20



Eclipse

Air Controls - Eclipse			
660-5518L-DSG	Top Access Air Control	DSG/Clear	100
100% On/Off Valves - Eclipse			
600-5568L-DSG	1" S 100% Shut-off On/Off Valve, Vertical	DSG/Clear	80
Positive Seal On/Off Valves - Eclipse			
600-5578L-DSG	3/4" S Positive Seal On/Off Valve, Vertical	DSG/Clear	100
600-5508L-DSG	3/4" SB Positive Seal On/Off Valve, Vertical	DSG/Clear	100
600-5588L-DSG	1" S Positive Seal On/Off Valve, Vertical	DSG/Clear	80
Diverter Valves - Eclipse			
600-5529TT-DSG	1" S Diverter Valve, Vertical	DSG/Titanium	80
600-5598L-DSG	1" S Positive Seal Diverter Valve, Vertical	DSG/Clear	70
600-5518L-DSG	2" S Diverter Valve, Vertical	DSG/Clear	20



Air Controls - Majestic

Part No.	Jet Type	Color	Case Qty.
660-7058L-1	Top Access Air Control	Black/Clear	100

100% On/Off Valves - Majestic

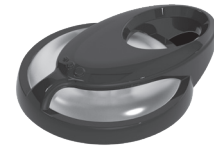
600-7408L-1	1" S 100% Shut-off On/Off Valve, Vertical	Black / Clear	80
--------------------	---	---------------	----

Positive Seal On/Off Valves - Majestic

600-7418L-1	¾" S Positive Seal On/Off Valve, Vertical		100
600-7428L-1	¾" SB Positive Seal On/Off Valve, Vertical		100
600-7438L-1	1" S Positive Seal On/Off Valve, Vertical		80

Diverter Valves - Majestic

600-6058L-1	1" S Diverter Valve, Vertical	Black/Clear	80
600-6098L-1	1" S Positive Seal Diverter Valve, Vertical	Black/Clear	70
600-5058L-1	2" S Diverter Valve, Vertical	Black/Clear	20



Majestic

Air Controls - Pin Wheel

660-4779-DSG	Top Access Air Control	DSG	100
---------------------	------------------------	-----	-----

100% On/Off Valves - Pin Wheel

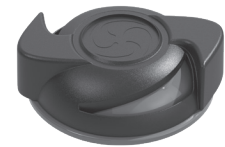
600-4919-DSG	1" S 100% Shut-off On/Off Valve, Vertical	DSG	80
---------------------	---	-----	----

Positive Seal On/Off Valves - Pin Wheel

600-4808L-DSG	¾" S Positive Seal On/Off Valve, Vertical	DSG/Clear	100
600-4819DSG-1	¾" SB Positive Seal On/Off Valve, Vertical	DSG/Black	100
600-4879DSG-1	1" S Positive Seal On/Off Valve, Vertical	DSG/Black	80

Diverter Valves - Pin Wheel

600-4799DSG-1	1" S Diverter Valve, Vertical, 1-Port	DSG/Black	80
600-4838L-DSG	1" S Diverter Valve, Vertical, 2-Port	DSG/Clear	80
600-4828L-DSG	1" S Positive Seal Diverter Valve, Vertical, 2-Port	DSG/Clear	70
600-4779DSG-1	2" S Diverter Valve, Vertical, 2-Port	DSG/Black	20



Pin Wheel

Air Controls - 5-Scallop

660-3587	Top Access Air Control	Gray	100
-----------------	------------------------	------	-----

100% On/Off Valves - 5-Scallop

600-4367	1" S 100% Shut-off On/Off Valve, Vertical	Gray	100
-----------------	---	------	-----

Positive Seal On/Off Valves - 5-Scallop

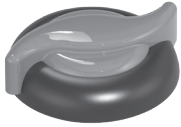
600-4707	¾" S Positive Seal On/Off Valve, Vertical	Gray	100
600-4717	¾" SB Positive Seal On/Off Valve, Vertical	Gray	100
600-4587	1" S Positive Seal On/Off Valve, Vertical	Gray	80

Diverter Valves - 5-Scallop

600-4227	1" S Diverter Valve, Vertical, 1-Port	Gray	100
600-4217	1" S Diverter Valve, Vertical, 2-Port	Gray	90
600-4577	1" S Positive Seal Diverter Valve, Vertical	Gray	90
600-3047	2" S Diverter Valve, Vertical, 2-Port	Gray	20



5-Scallop



S-Handle

Air Controls - S-Handle

Part No.	Jet Type	Color	Case Qty.
660-3609DSG-PS	Top Access Air Control	DSG/Silver	100

100% On/Off Valves - S-Handle

600-2709DSG-PS	1" S 100% Shut-off On/Off Valve, Vertical		80
-----------------------	---	--	----

Positive Seal On/Off Valves - S-Handle

600-3309DSG-PS	¾" S Positive Seal On/Off Valve, Vertical	DSG/Silver	100
600-3269DSG-PS	¾" SB Positive Seal On/Off Valve, Vertical	DSG/Silver	100
600-2729DSG-PS	1" S Positive Seal On/Off Valve, Vertical	DSG/Silver	80

Diverter Valves - S-Handle

600-3249DSG-PS	1" S Diverter Valve, Vertical, 1-Port	DSG/Silver	80
600-3279DSG-PS	1" S Diverter Valve, Vertical, 2-Port	DSG/Silver	
600-2749DSG-PS	1" S Positive Seal Diverter Valve, Vertical	DSG/Silver	70
600-3039DSG-PS	2" S Diverter Valve, Vertical	DSG/Silver	20



SGMS Technology



FEATURES:

- Easier/Faster to install
- No need for Silicone, alignment rings or nut
- No spot facing
- LED Optional
- High Quality NSF Certified Materials
- Fittings built to exceed ASTM Standards
- Fittings are Sch. 40 or better
- RoHS Compliant

Waterway's new SGMS (Sure-Grip Mounting System) allows for an improved method of installing top side controls without the need to use silicone, alignment rings, nuts or having to spot face the back wall surface.

Top Side Valves

Eclipse SGMS Top Side Controls

Part No.	Jet Type	Color	Case Qty.
668-5518L-DSG	SGMS Air Control Assy. Eclipse	DSG/Clear	100
608-5508L-DSG	SGMS 100% Shut-Off Valve Assy. Eclipse	DSG/Clear	90
608-5518L-DSG	SGMS 2" Top Access Div. Valve Assy. Eclipse	DSG/Clear	15

Luxe SGMS Top Side Controls

Part No.	Jet Type	Color	Case Qty.
668-3918L-DSG	SGMS Air Control Assy. Luxe	DSG/Clear	100
608-3928L-DSG	SGMS 100% Shut-Off Valve Assy. Luxe	DSG/Clear	90
608-3918L-DSG	SGMS 2" Top Access Div. Valve Assy. Luxe	DSG/Clear	15

Orion SGMS Top Side Controls

Part No.	Jet Type	Color	Case Qty.
668-7608L-DSG	SGMS Air Control Assy. Orion	DSG/Clear	100
608-3668L-DSG	SGMS 100% Shut-Off Valve Assy., Orion	DSG/Clear	90
608-7608L-DSG	SGMS 2" Top Access Dive. Valve Assy. Orion	DSG/Clear	15

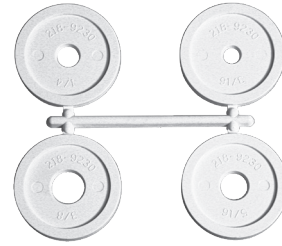
Note: Part numbers shown above are for top side controls made in DSG/Glo. All parts are available in multiple color combinations and Glo or Non Glo versions.



FEATURES:

- Restricts the amount of flow through On/Off Valves to any water feature
- Break off any one of the four different nozzle sizes for desired water flow

$\frac{3}{16}$ " – 4 GPM $\frac{1}{4}$ " – 7 GPM
 $\frac{5}{16}$ " – 10 GPM $\frac{3}{8}$ " – 15 GPM



Water Restrictor Washer Tree		
Part No.	Description	Case Quantity
218-9230	Water Restrictor Washer Tree	500



711-4600



711-4310



711-3050

Valve Gaskets		
Part No.	Description	Case Quantity
711-4310	1" Flat Gasket; ON/Off Valve	100
711-4600	1 1/2" Gasket; 1.5" Valve	100
711-3050	2" Gasket; 2" Diverter Valve	100

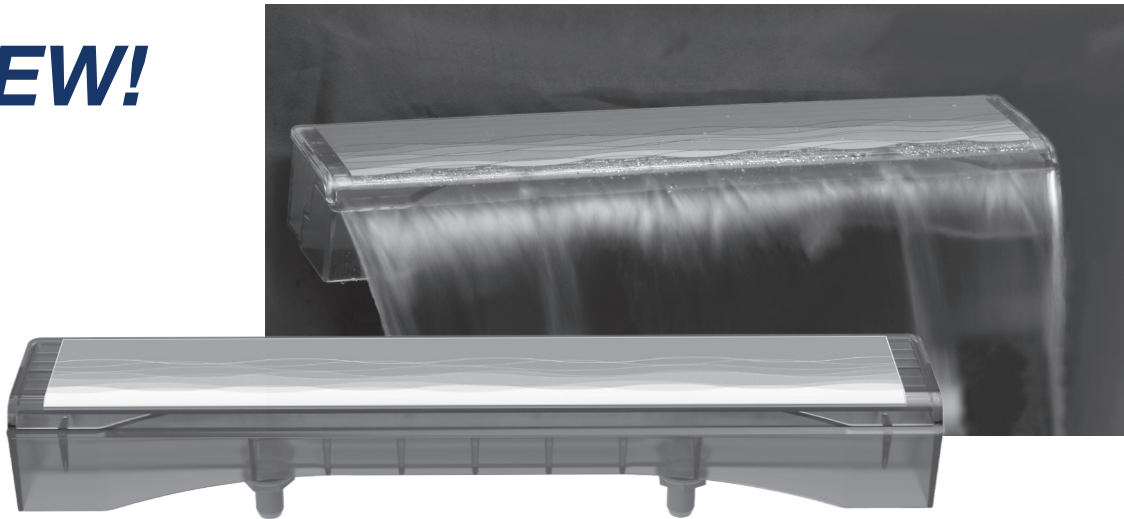
Top Side Valves



Air Bleed Assembly		
Part No.	Description	Case Quantity
212-1801	$\frac{3}{8}$ " Barb	200



NEW!



FEATURES:

- Extra-large 24" spillway
- Built-in reservoir
- Custom overlays available for volume orders

SPECIFICATIONS:

- (2) 3/4" SB input ports
- 1 3/16" hole saw size

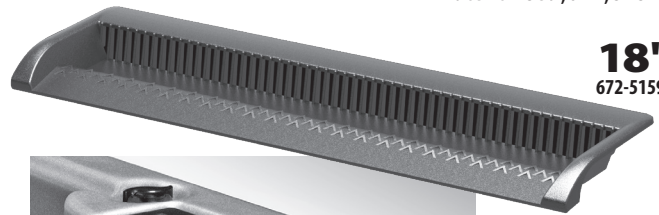
24" Spillway Waterfall

Part No.	Description	Color
675-5708	24" Spillway Assy	Clear

Spillover
WATERFALL

Patent #US9,027,848

18"
672-5159



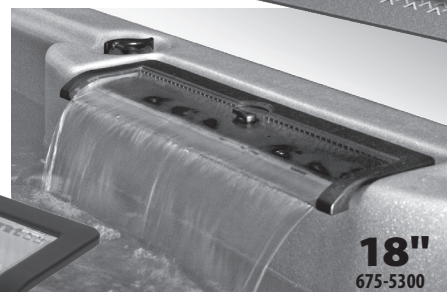
FEATURES:

- Utilizes built-in spa reservoir for water housing
- Sleek, simplistic design
- Adjustable flow control
- Available with glamorous LED feature
- Now top accessible

12"
675-5330



18"
675-5300



12" & 18" Spillover Waterfall

Part No.	Description	Color	Case Quantity
675-5159-DSG	18" Non-Adjustable One Piece Spillover Waterfall	DSG	10
675-5289-DSG	18" Non-Adjustable Spillover Waterfall	DSG	10
675-5289L-DSG	18" Non-Adjustable LED Spillover Waterfall	DSG/Clear	10
675-5309-DSGL	18" Adjustable LED Spillover Waterfall w/Valve	DSG/Clear	10
675-5339-DSGL	12" Adjustable LED Spillover Waterfall w/Valve	DSG/Clear	8
TW025	12" Spillover Waterfall Negative Mold Insert	N/A	Each
TW027	18" Spillover Waterfall Negative Mold Insert	N/A	Each



3.5"



7"

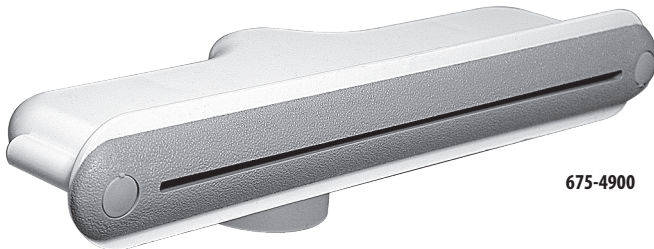
3.5" and 7" Non-Adjustable Waterfall

Part No.	Description	Color	Case Quantity
675-4118S	3.5" Single Port Non-Adjustable Waterfall 3/4" SB w/ LED Ports, Gasket & (2ea) Nuts	Stainless	40
675-4119-DSG	3.5" Single Port Non-Adjustable Waterfall 3/4" SB w/ LED Ports, Gasket & (2ea) Nuts	DSG	40
675-3918S	7" Single Port Non-Adjustable Waterfall 3/4" SB w/ LED Ports, Gasket & (2ea) Nuts	Stainless	20
675-3919-DSG	7" Single Port Non-Adjustable Waterfall 3/4" SB w/ LED Ports, Gasket & (2ea) Nuts	DSG	20

SGMS 3.5" and 7" Non-Adjustable Waterfall

Part No.	Description	Color	Case Quantity
675-4108S	3.5" Single Port Non-Adjustable Waterfall 3/4" SB w/LED Ports & (3ea) EPDM Grommets	Stainless	40
675-4109-DSG	3.5" Single Port Non-Adjustable Waterfall 3/4" SB w/ LED Ports & (3ea) EPDM Grommets	DSG	40
675-3908S	7" Single Port Non-Adjustable Waterfall 3/4" SB w/LED Ports & (3ea) EPDM Grommets	Stainless	20
675-3909-DSG	7" Single Port Non-Adjustable Waterfall 3/4" SB w/ LED Ports & (3ea) EPDM Grommets	DSG	20

Pat. #6,450,418



675-4900

6" AQUA FALL

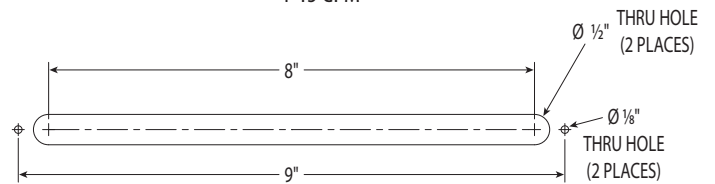
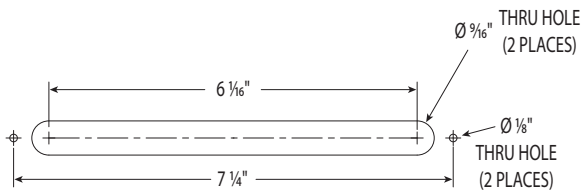
FEATURES:

- New 304 Stainless Steel escutcheon
- Simple design - less parts
- 3/4" S intake
- 3-12 GPM

8" LOW PROFILE AQUA FALL

FEATURES:

- Simple design - less parts
- Low body profile
- 1" S intake
- 4-15 GPM



Aqua Falls

Part No.	Description	Color	Case Quantity
675-4908LF	8" Aquafall Assembly w/Screen	Clear	40
675-4008LF	6" Aquafall Assembly w/Screen	Clear	50



Water Features / LED Water Features

Pat. #6,450,418 and 6,595,675



LED Water Features			
Part No.	Description	Color	Case Quantity
210-9209-DSG	Flush Mount Water Feature	Stainless/DSG	100
210-9209-DSGS	Flush Mount Water Feature	DSG	100
210-9318S	Threaded Rope Laminar Water Feature, 3/4" SB	Stainless	100
210-9308S	Threaded Rope Laminar Water Feature, 3/4" RB	Stainless	100
210-9278S	Threaded Fountain Laminar Water Feature, 3/4" SB	Stainless	100
210-9258S	Threaded Fountain Laminar Water Feature, 3/4" RB	Stainless	100
210-9288S	Threaded Slotted Laminar Water Feature, 3/4" SB	Stainless	100
210-9268S	Threaded Slotted Laminar Water Feature, 3/4" RB	Stainless	100
210-9109-DSGS	Threaded Eclipse Laminar Water Feature, 3/4" SB	DSG/Stainless	100

Also available in plastic.

SGMS Technology



FEATURES:

- Easy SGMS installation
- Three different water shape: Rope, Slot and Fountain
- Available in 3/4" smooth or ribbed barb
- Removable cover for easy cleaning
- Available with and without stainless steel



SGMS LED Water Features			
Part No.	Description	Color	Case Quantity
210-8518S	SGMS Rope Laminar Water Feature, 3/4" SB	Stainless	100
210-8618S	SGMS Rope Laminar Water Feature, 3/4" RB	Stainless	100
210-8528S	SGMS Fountain Laminar Water Feature, 3/4" SB	Stainless	100
210-8628S	SGMS Fountain Laminar Water Feature, 3/4" RB	Stainless	100
210-8508S	SGMS Slotted Laminar Water Feature, 3/4" SB	Stainless	100
210-8608S	SGMS Slotted Laminar Water Feature, 3/4" RB	Stainless	100

Also available in plastic.

**WATER
FEATURE**
popUps

Patent # 8,011,604



675-0707



675-0807



675-0791L



675-0908L

FEATURES:

- Pops up when pressurized
- Drops down when depressurized
- Solid 7/16" rod shaped water stream, projects at 45° angle
- Available in several body styles and colors
- Maximum flow 4.76 GPM @ 3 PSI = 48" cascade

Pop-Up Water Features			
Part No.	Description	Color	Case Quantity
675-0707	Standard Pop Up 3/4" RB	Gray	50
675-0717	Standard Pop Up 3/4" SB	Gray	50
675-0727	Standard Pop Up 3/4" Slip	Gray	50
675-0737	Standard Pop Up 1/2" Slip	Gray	50
675-0807	Top Access Pop Up 3/4" RB	Gray	50
675-0817	Top Access Pop Up 3/4" SB	Gray	50
675-0827	Top Access Pop Up 3/4" Slip	Gray	50
675-0837	Top Access Pop Up 1/2" Slip	Gray	50
675-0791L	Top Access LED Pop Up 3/4" RB	Black/Clear	40
675-0908L	Large LED Pop Up 3/4" RB	Clear	50
675-0918L	Large LED Pop Up 3/4" SB	Clear	50
675-0928L	Large LED Pop Up 3/4" Slip	Clear	50
675-0938L	Large LED Pop Up 1/2" Slip	Clear	50



675-2088

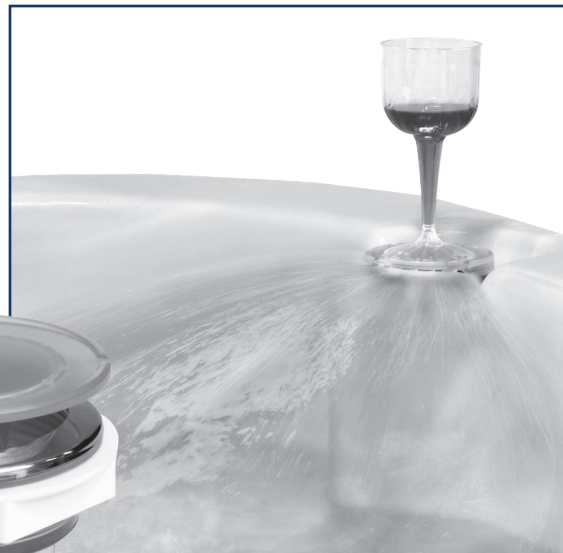
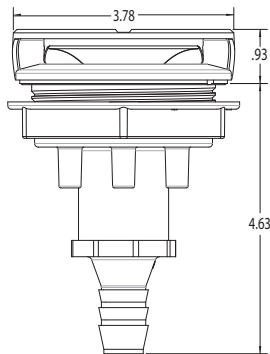
FEATURES:

- Brilliantly illuminated
resemblance of fire and ice
- Lots of motion
- Uses only three LED's
- Hole saw size is 3 1/8"
- 1" Socket Plumbing
- Requires only 3 – 5 GPM

Sculptured Ice Feature

Part No.	Description	Color	Case Quantity
675-2088	LED Sculptured Ice Water Feature	Clear	48
675-2088S	LED Sculptured Ice Water Feature - Metal	Clear	48

The "All in One" Water Feature that provides a beautiful and functional setting for all of your favorite beverages!



675-2058LS

FEATURES:

- Cup holder and water feature in one
- Fits most cups, cans and bottles
- Easy to install
- Accepts most LED points of light

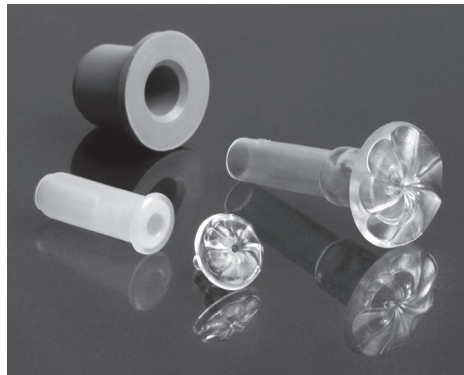
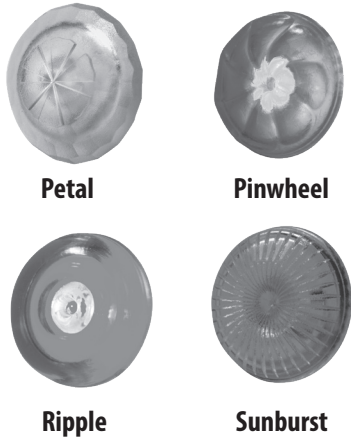
Cup Holder Water Feature

Part No.	Description	Color	Case Quantity
675-2059-DSG	Cup holder Water Feature	DSG	40
675-2058LS	LED Cup holder Water Feature	Stainless/Clear	40



SGMS Technology Pin Lights

Installation is as easy as it gets! Just drill the hole, press in the SGMS grommet into place, then press in one of the different spot light lenses. No need for silicone, threading on a nut or spot facing.



FEATURES:

- Ultra-easy to install
- Multiple lenses to choose from
- Light is diffused evenly
- Accepts most LED lights

SPECIFICATIONS:

- Silicone & EPDM Grommets
- Clear Polyester Lens
- 5/8" Hole Saw Size
W Drill (0.386") for acrylic/fiberglass
- 3/4" Hole Saw Size
0.386" Decco Drill from Phillips Carbide for acrylic/fiberglass
- 1" Hole Saw Size
43/64" for acrylic/fiberglass

Pin Lights		
Part No.	Description	Case Quantity
633-8028	5/8" SGMS LED Spot Light (Ripple) Assy	2,500
633-8018	5/8" SGMS LED Spot Light (Pinwheel) Assy	2,500
633-8008	5/8" SGMS LED Spot Light (Sunburst) Assy	2,500
633-5008	3/4" SGMS LED Spot Light (Petal) Assy	2,500
633-3038	1" SGMS LED Spot Light (Ripple) Assy	2,500
633-3018	1" SGMS LED Spot Light (Pinwheel) Assy	2,500
633-3028	1" SGMS LED Spot Light (Sunburst) Assy	2,500
633-3008	1" SGMS LED Spot Light (Faceted) Assy	2,500

Lighting



SGMS Technology

Note: See page 191 for hole saw size

SGMS Spa Light			
Part No.	Description	Color	Case Quantity
630-0248	SGMS 2.5" Mini Spa Light	Clear	250
630-6088	SGMS 3.5" Spa Light	Clear	70
630-7028	SGMS 5" Spa Light	Clear	40

Load Washer Spa Light			
Part No.	Description	Color	Case Quantity
630-8058SLC	7.5" XL jumbo spa light w/Load Washer & EPDM Gasket	Stainless	12


633-7078

633-7088

630-0008

630-0068S

630-5008

630-K008

630-K008S

630-6058S

LED Spa Lights

Part No.	Description	Color	Case Quantity
633-7078	1/2" Threaded Faceted LED Spot Light Assy; Includes Nut	Clear	2500
633-7088	1/2" Threaded Hex LED Spot Light Assy; Includes Nut	Clear	500
630-0068	2 1/8" Mini Spa Light Assy for Single LED; Includes Clear Light, Reflector Housing, Nut & Gasket	Clear	300
630-0068S	2 1/8" Mini Spa Light Assy for Single LED; Includes Stainless Light, Reflector Housing, Nut & Gasket	Stainless	100
630-0008	2 1/8" Mini Spa Light Assy for Standard Bulb; Includes Clear Light, Reflector Housing, Nut & Gasket	Clear	300
630-0008S	2 1/8" Mini Spa Light Assy for Standard Bulb; Includes Stainless Light, Reflector Housing, Nut & Gasket	Stainless	120
630-6058S	7.5" XL Jumbo Spa Light Assy; Includes Stainless Light, Reflector Housing, Nut & Gasket	Stainless	12
630-5005	3 1/2" Standard Spa Light Assy; Includes Clear Light, Reflector Housing, Blue & Red Lenses, Nut & Gasket	Clear	50
630-5008	3 1/2" Standard Spa Light Assy; Includes Clear Light, Reflector Housing, Nut & Gasket	Clear	70
630-5105	3 1/2" Standard Spa Light Assy; Includes Clear Light, Reflector Housing, Red&Blue Lenses, Wire Harness(No Connector), Bulb, Nut & Gasket	Clear	50
630-5205	3 1/2" Standard Spa Light Assy; Includes Clear Light, Reflector Housing, Red&Blue Lenses, Wire Harness 2-Pin Connector, Bulb, Nut & Gasket	Clear	50
630-6005	3 1/2" Front Access Spa Light Assy; Includes Clear Light, Reflector Housing, Blue & Red Lenses, Wrench, Nut & Gasket	Clear	50
630-6008	3 1/2" Front Access Spa Light Assy; Includes Clear Light, Reflector Housing, Wrench, Nut & Gasket	Clear	60
630-K005	5" Standard Spa Light Assy; Includes Clear Light, Reflector Housing, Blue & Red Lenses, Nut & Gasket	Clear	40
630-K008	5" Standard Spa Light Assy; Includes Clear Light, Reflector Housing, Nut & Gasket	Clear	40
630-K008S	5" Standard Stainless Spa Light Assy; Includes Clear Light, Reflector Housing, Nut & Gasket	Stainless	40

SGMS Technology

Waterway's new small 3 1/8" & large 4 1/4" SGMS LED Cup Holder provides a vivid array of illuminated tranquility, lighting any evening with a mood of pure relaxation.

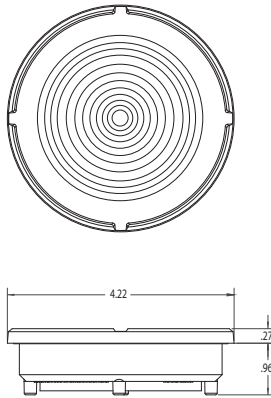


Features:

- Two sizes to choose from to fill any size space!
- Installs easily via Waterway's patented SGMS LED grommet system
- Uses up to four LED lights for varying degrees of brightness

Specifications:

- Made of UV resistant Polyester Material
- Silicone Grommet System
- Supports up to 5 points of LED light



Lighting

SGMS LED Cup Holders

Part No.	Description	Color	Case Quantity
630-4908	S.G.M.S 3 1/8" Standard Crystal Cup Holder Assembly	Clear	100
630-4918	S.G.M.S 3 1/8" Standard Ripple Cup Holder Assembly	Clear	100
630-0168	S.G.M.S 4 1/4" Large Crystal Cup Holder Assembly	Clear	60
630-0178	S.G.M.S 4 1/4" Large Ripple Cup Holder Assembly	Clear	60

Standard Cup Holders

Part No.	Description	Color	Case Quantity
630-0038	LED Cup holder Assembly; Includes Cup holder, Reflector Housing and Nut	Clear	50

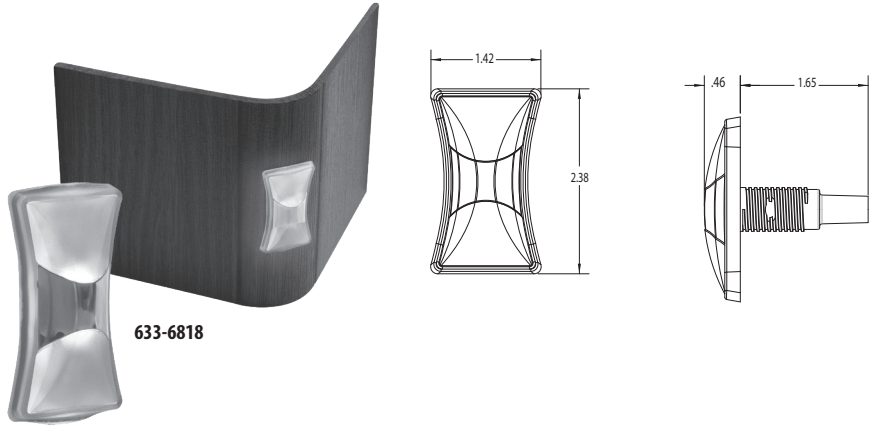
Lighting / LED Lighting

FEATURES:

- Elegant Sconce Light
- Illuminates spa skirting
- Conforms to corners as small as 1 1/2" radius
- Works with most single LED points of light
- Made in America!

Specifications:

- 316 Stainless Steel Escutcheon
- 5/8" Hole Saw



633-6818

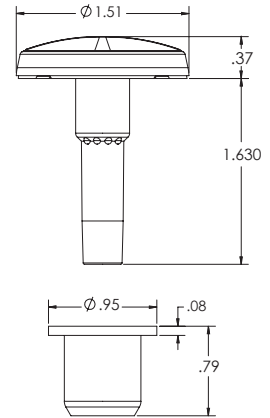
LED Hourglass Sconce Light

Part No.	Description	Color	Case Quantity
633-6818S	LED Hourglass Sconce Light; Includes Nut & Gasket	Stainless	250



SGMS Technology

Waterway's Button Sconce Light allows for easy Sure Grip Mounting System (SGMS) installation on the side of most spas. Its streamlined, low profile design prevents the damage that is common in bulkier sconce lights while providing an elegant touch to the spa exterior.



Features:

- Elegant Circular Sconce Light
- Illuminates spa skirting
- SGMS Mounting
- Works with most single LED points of light
- Made in America!

Specifications:

- UV Resistant Polyester Lens
- 316 Stainless Steel Escutcheon
- 43/64" Hole Saw Size



633-6858S

SGMS Button Sconce Light

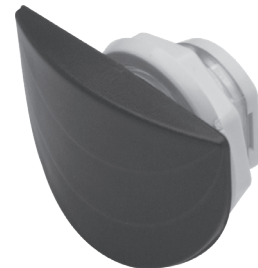
Part No.	Description	Color	Case Quantity
633-6858S	1 1/2" SGMS Button Sconce Light; Includes EPDM Grommet	Stainless	250

Features:

- Illuminates spa skirting
- Mounts to outside perimeter of spa cabinet
- Requires only one LED



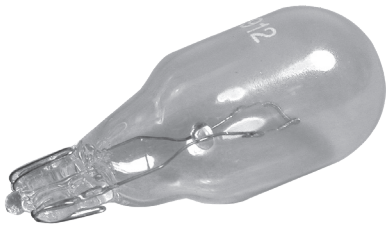
660-6300



630-6401

LED Cabinet Light

Part No.	Description	Color	Case Quantity
660-6300	1/2" Threaded Cabinet Light Assembly	Clear	300
630-6401	LED Skirt Light Assembly	Black/Clear	200



813-4370



813-4400



630-0005

Spa Light Accessories

Part No.	Description	Case Quantity
813-4370	Light Bulb #912	100
630-5535	Power Supply Box; Includes Transformer, NEMA Plug and Air Switch	20
813-4400	Transformer; 110V/12V 1AMP	40
813-4500	Transformer; 230V/12V - 50/60 Hz	40
633-1000	LED Light Harness with 2-Pin Connector	200
630-0005	Blue and Red Lenses	100

NEO 1500 & NEO 2100

SPA CONTROL SYSTEMS

Available with
multiple configurations!



UL certified for the US & Canada
CE compliant for Europe

Features:

- More than 300 different configurations
- Electronic Thermal Sensing (ETS) system
- 240V – 120V convertible
- Available in 50 Hz or 60 Hz
- Topside features a 1.8" color LCD display
- Panel back light with white LED
- Wi-Fi option (2100 Only)
- Easy menu navigation
- Multiple languages (English, French, Spanish, German, Norwegian, Italian)
- Optional Daughter Board 1500 comes with (DB1) only and 2100 comes with both (DB1) & (DB2)
- Real-time clock (NEO 2100 only)
- Accepts NEO 2100, NEO 1100 or NEO 1000 topside panels



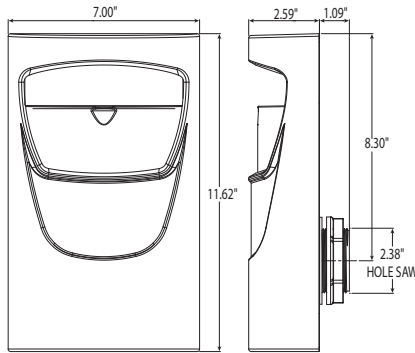
NEO Spa Control	
Part No.	Description
777-WW99012	NEO 1500 Control Kit –1-2 Spd Pumps W/NEO 1100 Panel
777-WW99002	NEO 2100 Control Kit –2-2 Spd Pumps w/NEO 1100 Panel
777-WW99004	NEO 2100 Control Kit –2-2 Spd Pumps w/NEO 2100 Panel
775-0501	Daughter Board 1 (DB1) (Allows for up to 2 additional 1 spd pumps or 1 additional 2 spd pump)
775-0502	Daughter Board 2 (DB2) (Allows for up to 4 additional 1 spd pumps or 2 additional 2 spd pump)
775-0503	Bluetooth Kit Assy (Includes screw & stand-off)
775-0504	Wi-Fi Kit Assembly (No added monthly fees.)



640-6609-DSG

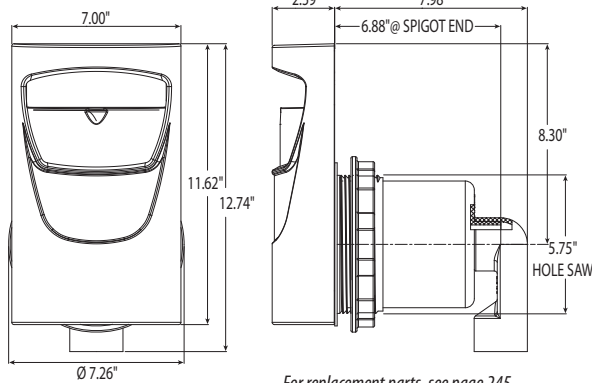
Strip Skimmer

Part No.	Description	Color	Case Quantity
640-6609-DSG	Adjustable Strip Skimmer with Lint Basket; 1" Slip Ell	DSG	20



FEATURES:

- Floating guillotine-style weir
- Easy through-wall installation (requires only one round hole to mount)
- 15 sq. ft.
- Easily accessible basket
- Skim Filter has easily accessible cartridge

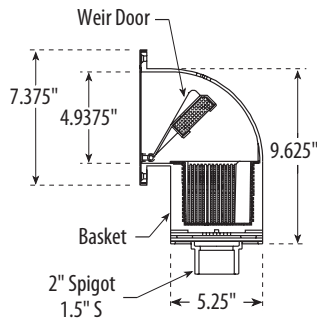


Deluxe Strip Skimmer and Strip Skim Filter

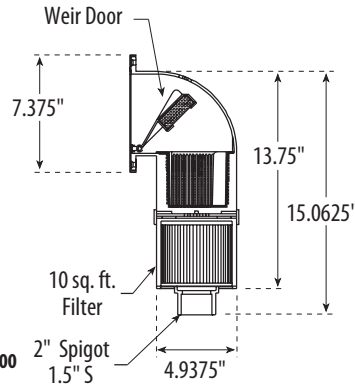
Part No.	Description	Color	Case Quantity
510-6909DSG-TT	Deluxe Strip Skimmer Assembly, 1 1/2" Slip	DSG	5
510-6919-DSGLC	15SF Deluxe Strip Skimmer Assembly, 2" Slip	DSG	5



510-1500



510-1600

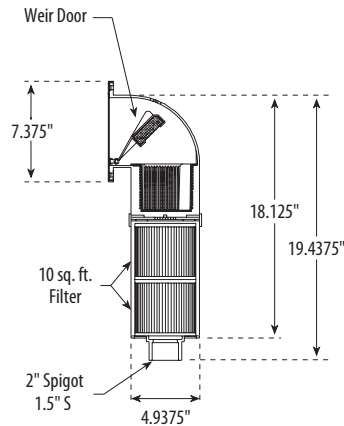


INCLUDES:

- 10 sq. ft. Cartridge
- EZ Flow Basket
- Flow Control Diverter Plate
- Trim Plate - White
- Mounting Gasket



510-1650T



INCLUDES:

- 10 sq. ft. Cartridges (2)
- EZ Flow Basket
- Flow Control Diverter Plate
- Trim Plate - White
- Mounting Gasket



550-1600

For replacement parts, see page 251.

Front Access Skimmers and Skim Filters Accessories

Part No.	Description	Color	Case Quantity
519-4030	10SF & 20SF Square Skimmer Basket	White	7
711-8010	Front Access Filter Kraton L-Gasket	Clear	1
550-1600	Front Access Skimmer Mounting Plate with Screws	White	50

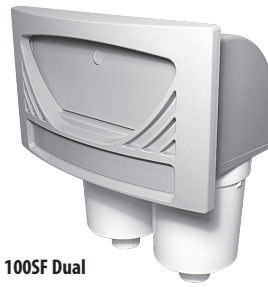
Front Access Skimmers and Skim Filters

Part No.	Description	Case Quantity
510-1500	Square Spa Skimmer - Front Access Spa Skimmer; 1-1/2" Slip / 2" Spigot	4
510-1600	Square Spa Skimmer - 10SF Front Access Spa Skimmer; 1-1/2" Slip / 2" Spigot	4
510-1650T	Square Spa Skimmer - 20SF Front Access Spa Skimmer; 1-1/2" Slip / 2" Spigot	2

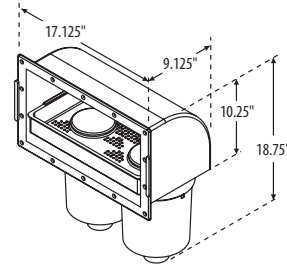


FEATURES:

- 50 sq. ft. Cartridges (2) (100 sq. ft. total)
- 2" Spigot Output Ports (2)
- Extra Large 5 1/2" x 14" Weir Area
- Extra Large 8" x 14" Basket
- Easy Access to Basket and Cartridges
- Easy Through-Wall Installation



100SF Dual



Hole Size 8.75" x 15.5"

FEATURES:

- 50 sq. ft. Cartridge
- 2" Spigot Output Port
- Easy access to basket and cartridges
- Easy Through-Wall Installation



50SF Single



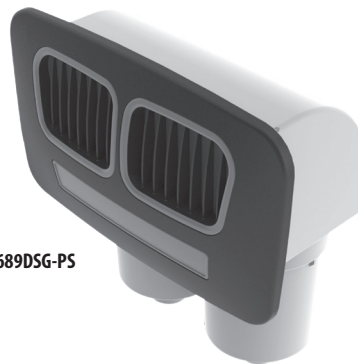
672-5090

Front Access Skim Filters

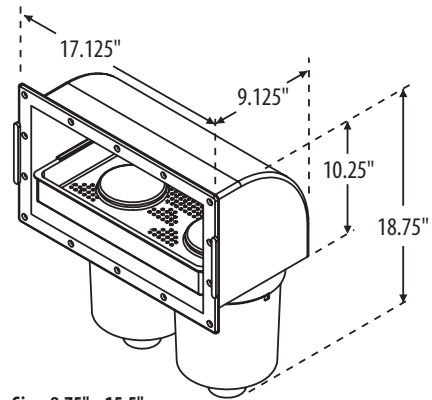
Part No.	Description	Color	Case Quantity
510-9029-DSG	50SF Oval Front Access Skimmer; Single Port; No Cartridge	DSG	2
510-9037	100SF Oval Front Access Skimmer; Single Port	Gray	1
510-6629-DSG	100SF Oval Front Access Skimmer; Dual Port	DSG	2
672-5090	100SF Skim Filter Manifold Tee with Plug	White	20

FEATURES:

- New Roadster grill design
- 50 sq. ft. Cartridges (2) (100 sq. ft. total)
- 2" Spigot Output Ports (2)
- Extra Large 5 1/2" x 14" Weir Area
- Extra Large 8" x 14" Basket
- Easy Access to Basket and Cartridges
- Easy Through-Wall Installation



510-6689DSG-PS



Hole Size: 8.75" x 15.5"

100 sq. ft. Front Access Roadster Skim Filter

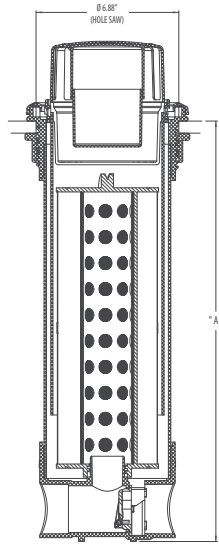
Part No.	Description	Color	Case Quantity
510-6689DSG-PS	100SF Front Access Roadster Skim Filter	DSG/Silver	2



Spa Skimmers and Filters / Teleweir Skim Filters

FEATURES:

- Cage-style tower eliminates unwanted vortexing
- Safety orientated
- Easily accessible basket for effortless cleaning
- Available in several different filter sizes
- 2" Socket IN/OUT plumbing
- Built in Check Valve
- Hole Saw Size: Ø 6.88"
- Custom logo plate available for volume orders



510-4600

For replacement parts, see page 238

Teleweir Skim Filters

Part No.	Description	"A" Dimension	Case Quantity
510-463X	25SF Teleweir Skim Filter	20 ¼"	4
510-462X	35SF Teleweir Skim Filter	16"	4
510-460X	50SF Teleweir Skim Filter	20 ¼"	4
510-468X	50SF Teleweir Skim Filter; Low Volume	20 ¼"	4

FEATURES:

- Extra-large housing designed especially for Swim Spas
- Cage-style tower eliminates unwanted vortexing
- Safety orientated
- Easily accessible basket for effortless cleaning
- Hi capacity 2 ½" Socket IN/OUT Plumbing
- Built in check valve
- Hole saw size is 8.5"
- Custom logo plates available for volume orders



Mega Teleweir Skim Filters

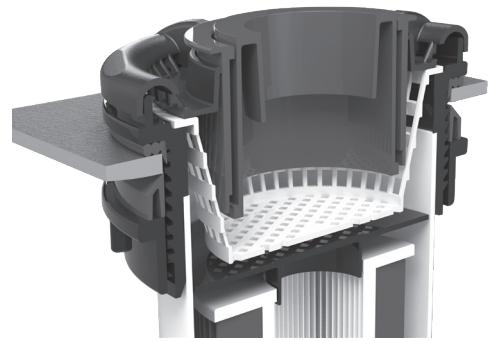
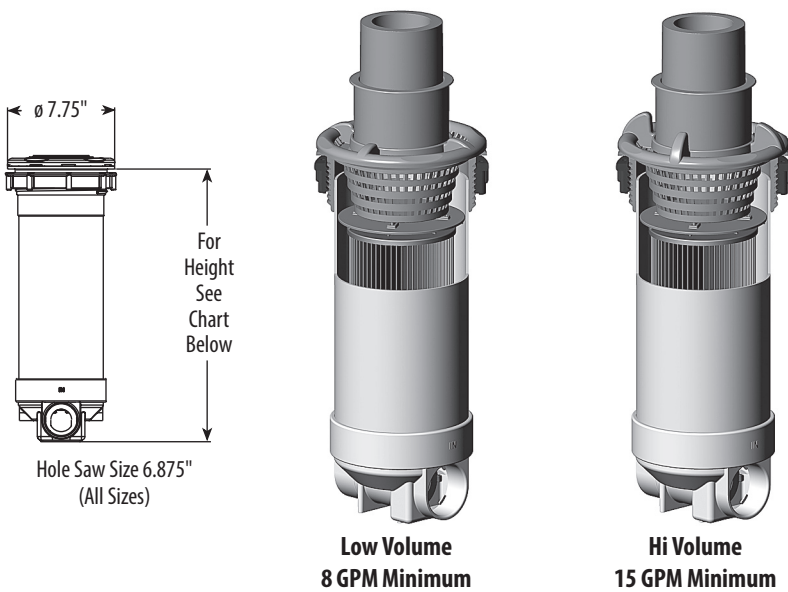
Part No.	Description	"A" Dimension	Case Quantity
510-567X	75SF Mega Teleweir Skim Filter	21 ¾"	2



FEATURES:

- Improved exclusive vent system for added safety
- Exclusive bayonet lock retains the basket and weir
- PVC upper threaded, middle and bottom body components are compatible with PVC glues and most silicones
- New compact sizes
- Traditional 4-scallop escutcheons to match the decor of the spa
- Telescoping weir has 6" of travel
- Built-in restriction valve for improved filtration with low volume
- Two basket sizes
- Dyna-Flo replacement parts fit all existing Dyna-Flo Top-Mount Filters
- Retrofits Dynamic Series Rainbow Skim Filters

Load Washer Technology



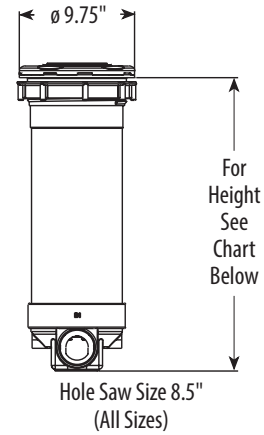
For replacement parts, see page 242

Dyna-Flo Top-Mount Skim Filters			
Part No.	Description	Dimensions	Case Quantity
510-352X	25SF Dyna-Flo Low Volume Filter; 8 GPM Minimum	19 5/8"	4
510-354X	35SF Dyna-Flo Low Volume Filter; 8 GPM Minimum	15 3/4"	4
510-355X	50SF Dyna-Flo Low Volume Filter; 8 GPM Minimum	19 5/8"	4
510-652X	25SF Dyna-Flo Hi Volume Filter; 8 GPM Minimum	19 5/8"	4
510-654X	35SF Dyna-Flo Hi Volume Filter; 8 GPM Minimum	15 3/4"	4
510-655X	50SF Dyna-Flo Hi Volume Filter; 8 GPM Minimum	19 5/8"	4



FEATURES:

- Extra-large 10" diameter body for improved filtration
- Extra-large 6 1/2" diameter cartridge for larger cartridge sizes
- Exclusive "Vent System" for added safety
- PVC upper, middle and bottom sections are compatible with PVC glues and most silicones
- Available in 50, 75 and 100 sq. ft.
- Adjustable restrictor valve for variable flow control
- Extra-large basket
- Removable bypass valve for easy servicing
- Optional chemical feeder
- Available in 2" or 2 1/2" Socket In/Out



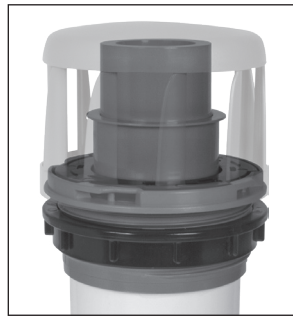
For replacement parts, see page 243.

Dyna-Flo XL Skim Filters

Part No.	Description	Filter Size	Case Quantity
512-027X	75SF XL Dyna-Flo Filter, 2" Slip	21 3/4"	1
512-021X	100SF Dyna-Flo Filter, 2" Slip	26 1/4"	1
512-255X	50SF XL Dyna-Flo Filter, 2-1/2" Slip	21 3/4"	1
512-257X	75SF XL Dyna-Flo Filter, 2-1/2" Slip	21 3/4"	1
512-251X	100SF XL Dyna-Flo Filter, 2-1/2" Slip	26 1/4"	1

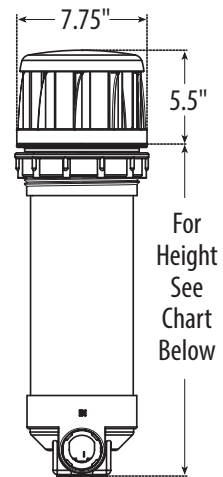
FEATURES:

- Skims water without the use of a weir
- No moving parts
- Uses the same size hole pattern as our standard Dyna-Flo
- Allows for a larger variance of water levels



514-6589-DSG

With turbine and weir

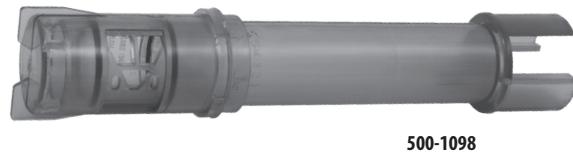
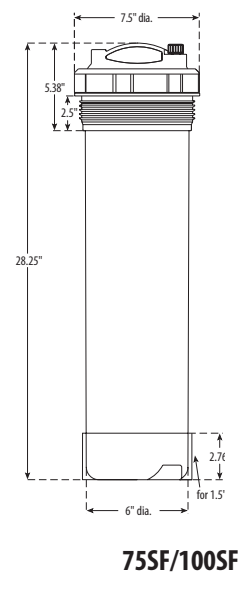
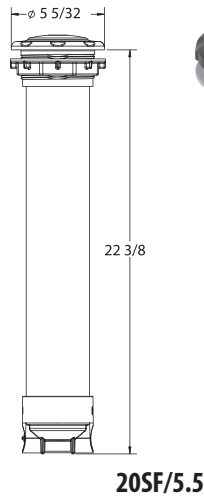
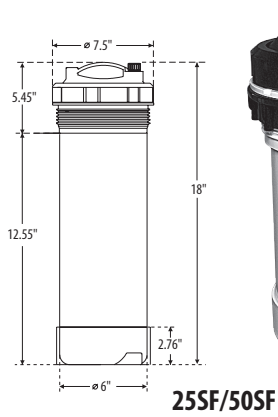


Hole Saw Size 6.875" (All Sizes)

For replacement parts, see page 244.

Ultra Skim Filter

Part No.	Description	Color	Case Quantity
514-6559-DSG	50SF Ultra Skim Filter Assembly; 2" In/Out; Includes Turbine, Basket and Cartridge	DSG	4
514-6589-DSG	50SF Ultra Skim Filter Assembly; 2" In/Out; Includes Turbine, Weir, Basket and Cartridge	DSG	4



Skimmers / Filters

5.5" Top-Load Filters

Part No.	Description	Color	Case Quantity
510-3601	20SF 5.5" Top Load Filter with Bypass Valve	Black	4

7.5" Top-Load Filters

Part No.	Description	Color	Case Quantity
502-2510	25SF Pressure Filter with 2" In/Out and Bypass Valve	Black	4
502-2550	25SF Pressure Filter with 2" In/Out, Bypass Valve & 10-Tablet Brominator	Black	4
502-5010	50SF Pressure Filter with 2" In/Out and Bypass Valve	Black	4
502-5050	50SF Pressure Filter with 2" In/Out, Bypass Valve & 10-Tablet Brominator	Black	4
502-7510	75SF Pressure Filter with 2" In/Out and Bypass Valve	Black	2
502-9910	100SF Pressure Filter with 2" In/Out and Bypass Valve	Black	2

Replacement Parts and Accessories

Part No.	Description	Color	Case Quantity
500-1021	Filter Niche with 2-Cup Holder Lid and Screws	Black	6
500-1098	10 Tablet Brominator Assembly	Clear	1
550-5100	Pressure Filter Lid with Plug & O-Rings	Black	15
715-1001	Air Relief Plug	Black	1



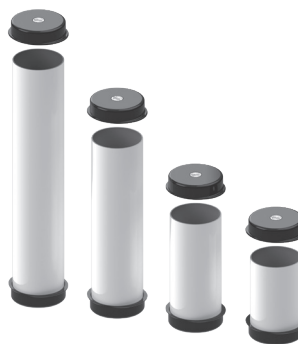
817-2500



817-7500



Skim Filter Replacement Cartridge



Cartridge Soak Tank

Replacement Cartridges for In-Line and Top-Load Filters

Part No.	Description	Dimensions	Case Quantity
817-2500	Cartridge - 25 sq. ft.	4 15/16" OD x 13 5/16" L	--
817-5000	Cartridge - 50 sq. ft.	4 15/16" OD x 13 5/16" L	16
817-7500	Cartridge - 75 sq. ft.	4 15/16" OD x 23 5/8" L	--
817-1000	Cartridge - 100 sq. ft.	4 15/16" OD x 23 5/8" L	16

Skim Filter Replacement Cartridges

Part No.	Size	Dimensions	Top Load	Front Access	Case Quantity
817-0010	10 sq. ft.	4 1/4" outer diameter x 4" L		X	75
817-3501	35 sq. ft.	4 15/16" outer diameter x 9 1/4" L (1 piece)		X	16
817-3510	35 sq. ft.	4 15/16" outer diameter x 4 5/8" L (2 pieces)		X	24
817-0050	50 sq. ft.	6" outer diameter x 8 1/4" L		X	12
817-0011	50 sq. ft.	6" outer diameter x 8 1/4" L (2 pieces upper)		X	--
817-0012	50 sq. ft.	6" outer diameter x 8 1/4" L (2 pieces lower)		X	--
817-2500	25 sq. ft.	5" outer diameter x 13 1/4" L	X		--
817-5000	50 sq. ft.	5" outer diameter x 13 1/4" L (1 piece)	X		16
817-0015	75 sq. ft.	5 5/16" outer diameter x 14 13/16" L	X		16
817-7500	75 sq. ft.	5" outer diameter x 23 5/8" L (2 pieces)	X		--
817-1000	100 sq. ft.	5" outer diameter x 23 5/8" L	X		16

Cartridge Soak Tank

Part No.	Description	Case Quantity
550-0030	Soak Tank, 35 Sq. Ft. 9.75" Assy.	--
550-0050	Soak Tank, 50 Sq. Ft. 13.75" Assy.	--
550-0060	Soak Tank, 100 Sq. Ft. 21.75" Assy.	--
550-0070	Soak Tank, 175 Sq. Ft. 30.50" Assy.	--



400-9140



640-3170



400-9030



400-9120



400-9150



400-8970

Filter Fittings

Part No.	Description	Color	Case Quantity
400-9030	Cartridge Mounting Assembly; 2" Slip X 1 1/2" Acme with Grate, Nut & Gasket	White	50
400-9120	Cartridge Mounting Assembly; 1 1/2" NPT with Nut & Gasket	White	75
400-9130	Cartridge Mounting Assembly; 2" NPT with Nut & Gasket	White	50
400-9140	Cartridge Mounting Assembly; 1 1/2" NPT with Grate	White	75
400-9150	Return Wall fitting Assembly; 1 1/2" FTP X 1 1/2" Slip with Nut & Gasket	White	50
640-3170	Suction Wall fitting Assembly with Bypass Valve	White	40
670-2009-DSG	Water Nozzle Wall fitting Assembly; with Nut & Gasket	DSG	200
400-8970	Load Washer Cartridge Mounting Assembly 2" Slip X 1 1/2" Acme with Load Washer, EPDM Gasket and Nut	White	50



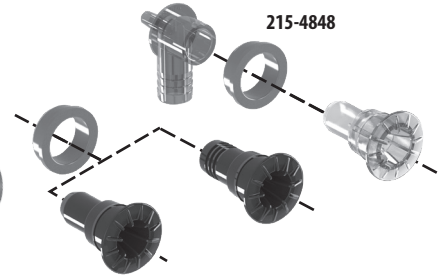
212-1820



212-1831



670-2007



215-4839-DSG

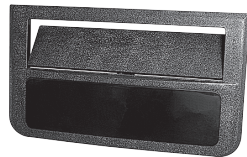
215-4848

Standard & SGMS Return Fittings

Part No.	Description	Color	Case Quantity
212-1810	Smooth Ozone Return Fitting; 1/2" Slip with Nut & Gasket	White	150
212-1829-DSG	Smooth Ozone Return Fitting; 3/4" RB with Nut & Gasket	DSG	150
212-1839-DSG	Threaded Ozone Return Fitting 3/4" RB with Nut	DSG	150
215-4829-DSG	SGMS Ozone Return Fitting 3/4" SB	DSG	
215-4839-DSG	SGMS Ozone Return Fitting 3/4" RB	DSG	
215-4848	SGMS Ozone Return Fitting 3/4" SB	Clear	
806-2200-EP	SGMS EPDM Grommet for Ozone Return Fitting	Gray	2000



550-6109



680-2001



550-7767



550-6119



550-5617



550-0127



550-0411B

Weirs

Part No.	Description	Color	Case Quantity
680-200X	Custom Weir Assembly; 13 1/8" H x 23 1/4" W (Customizable with Qty Orders)		1
550-7769-DSG	Skimmer Frame & Weir Assembly	DSG	1
550-5619G-DSG	Curved Weir Assembly; 13" H X 20 3/4" W with Hinge Mount & Gasket	DSG	10
550-0129-DSG	Tiered Weir Assembly	DSG	8
550-6109-DSG	Small Weir Assembly; 13 1/8" H X 20 3/4" W	DSG	12
550-6119-DSG	Large Weir Assembly; 13 1/2" H X 21 1/8" W	DSG	1
550-0411B	Weir Mounting Kit	N/A	100



POWER Defender

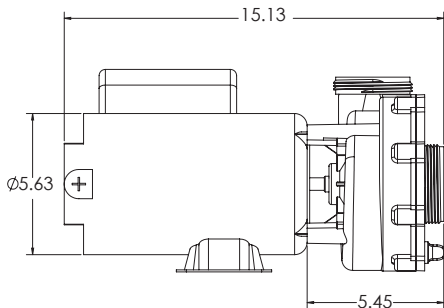
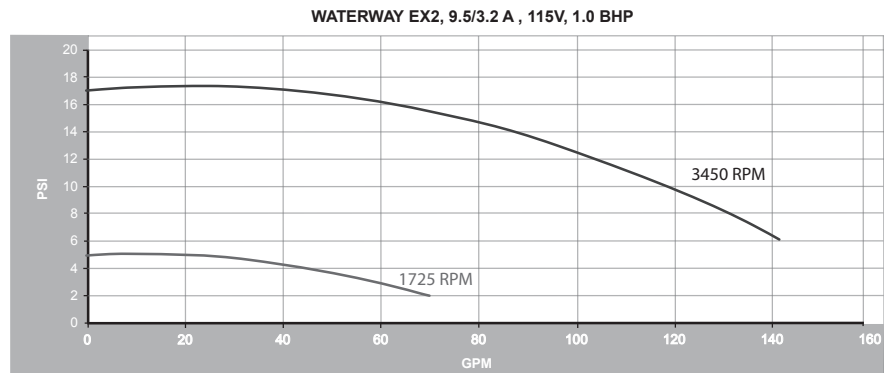
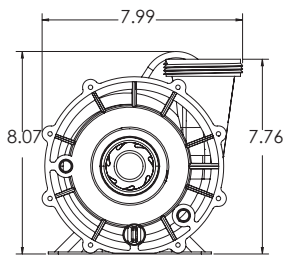
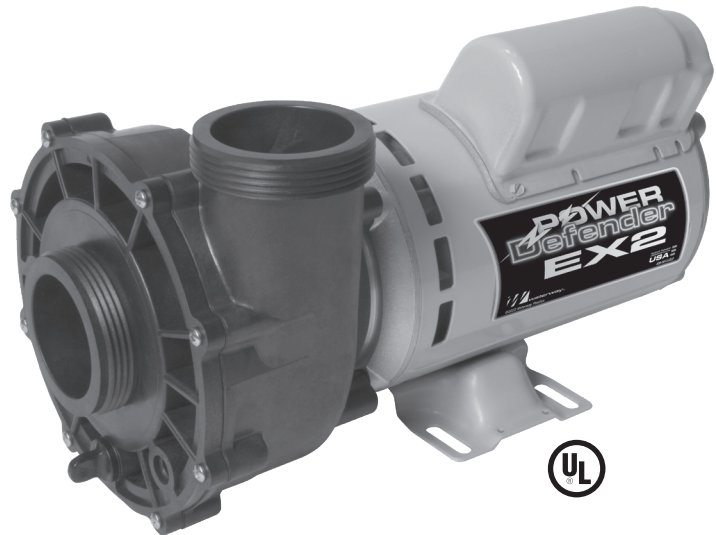
PowerDefender EX2

2 SPEED PUMP

Better performance with outstanding durability.

FEATURES:

- High performance two speed pump design
- 1.5 horsepower special (1.0 true break HP), 9.5 Amps, 115 VAC
- Proven EX2 wet end
- Silicone carbide seals, Viton bellows, 316SS casing corrosion resistance against chlorine, bromine & salt
- Direct replacement for Aqua-Flo XP2 pumps
- Super quite, cool running system
- Ultra-durable construction
- Eliminates the need for a separate circulation pump and associated plumbing
- Easy to install and maintain



Power Defender EX2 2 Speed

Part No.	Description	HP	Volts	Total Amps	Hz	Weight (lbs.)
PD-110X	Power Defender EX2 2-Speed	1.5 HP SPL	115	9.5/3.2	60	26

Call for available cords and plugs.

Spa Pumps

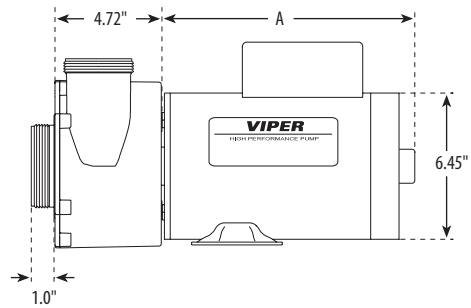
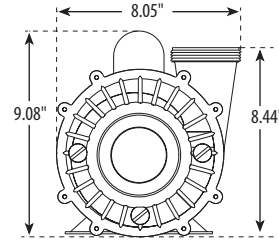
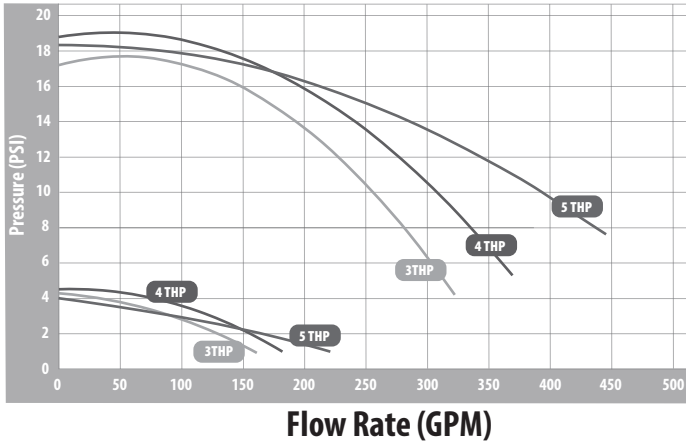


For replacement parts, see page 216.

FEATURES:

- Designed for low pressure, high volume systems
- Viper wet end designed specifically for 56-frame motors
- Large 8" diameter wet end allows for more volume
- Large 2 1/2" intake for improved flow performance and reduced noise
- Highly versatile wet end can be rotated every 90°
- 56-frame motor for added strength, cooler operating temperature and longer motor life
- Two double shielded ball bearings with moisture resistant grease for quieter operation and longer life
- Thermally protected to extend life expectancy of motor
- Silicone carbide seals, Viton bellows, 316SS casing, corrosion resistance against chlorine, bromine & salt

Call for available cords and plugs.



1-Speed Viper 56-Frame Pumps

Part No.	Description	HP	Volts	Amps	Hz	Dimension "A"	Weight (lbs.)
3711621-1V	2 1/2" Intake - 2 1/2" Discharge	4	230	12	60	11"	41
3712021-1V	2 1/2" Intake - 2 1/2" Discharge	5	230	16.4	60	11"	--

2-Speed Viper 56-Frame Pumps

Part No.	Description	HP	Volts	Amps High Speed	Amps Low Speed	Hz	Dimension "A"	Weight (lbs.)
3721621-1V	2 1/2" Intake - 2 1/2" Discharge	4	230	12	4.4	60	11"	44
3722021-1V	2 1/2" Intake - 2 1/2" Discharge	5	230	16.4	4.8	60	11"	47

Note: 0V for bulk orders.

Pumps and replacement motors that are single speed and one (1) total HP or greater cannot be sold, offered for sale, or installed in a residential pool for filtration use in California, Title 20 CCR sections 1601-1609.



EXECUTIVE WET END FEATURES:

- High performance Executive wet end specifically designed for 56-frame motors
- Large 2" intake for improved flow performance and noise reduction
- Large 6" diameter wet end for higher head pressure
- Highly versatile wet end can be rotated every 90°

VIPER WET END FEATURES:

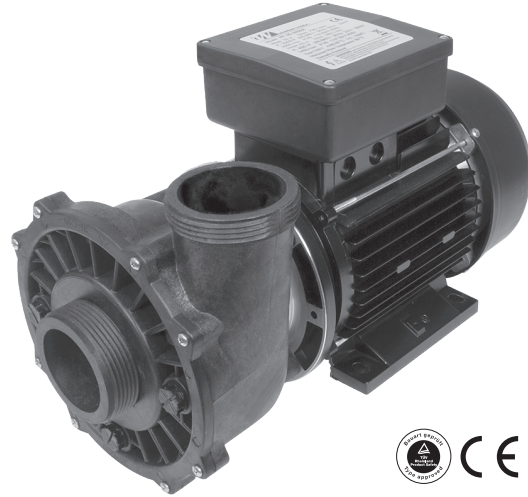
- Ultra high performance Viper wet end specifically designed for 56-frame motors
- Extra large 2 ½" intake for improved flow performance and noise reduction
- Large 8" diameter wet end to move higher volumes of water at lower pressures
- Highly versatile wet end can be rotated every 90°

MOTOR FEATURES:

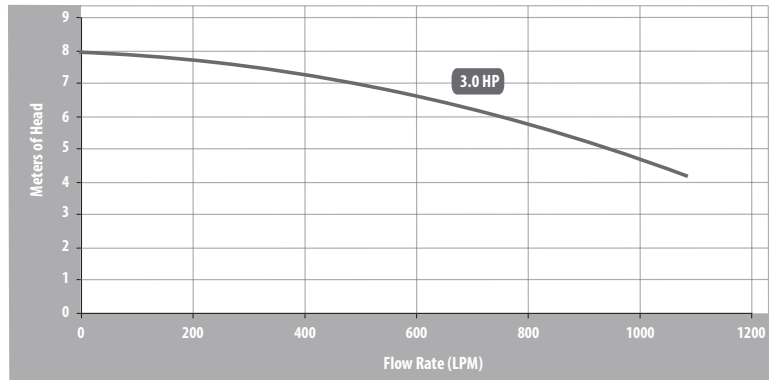
- 56-frame motor for added strength, cooler operating temperature and longer motor life
- Two double shielded ball bearings with moisture resistant grease for quieter operation and longer life
- Two-speed motors have four sets of insulated windings for high performance
- Split capacitor, (start and run) for less energy consumption
- Thermally protected to extend life expectancy of motor
- IPX5 construction

PUMP FEATURES:

- TUV listed
- Silicone carbide seals, Viton bellows, 316SS casing



PRESSURE VERSUS FLOW RATE - VIPER EURO PERFORMANCE CHART



Spa Pumps

Executive Euro 50 Hz Pumps

Part No.	Description	HP	Speed	Hz	Volts	Amps
3R11250-0D	Executive Euro Pump	3 HP	1-Speed	50	230	12.7
3R20850-0D	Executive Euro Pump	2 HP	2-Speed	50	230	9.3/1.8
3R21050-0D	Executive Euro Pump	2 ½ HP	2-Speed	50	230	10.3/1.8

Viper Euro 50 Hz Pumps

Part No.	Description	HP	Speed	Hz	Volts	Amps
3R11250-0V	Viper Euro Pump	3 HP	1-Speed	50	230	12.3/12.8
3R21050-0V	Viper Euro Pump	2 ½ HP	2-Speed	50	230	11.4

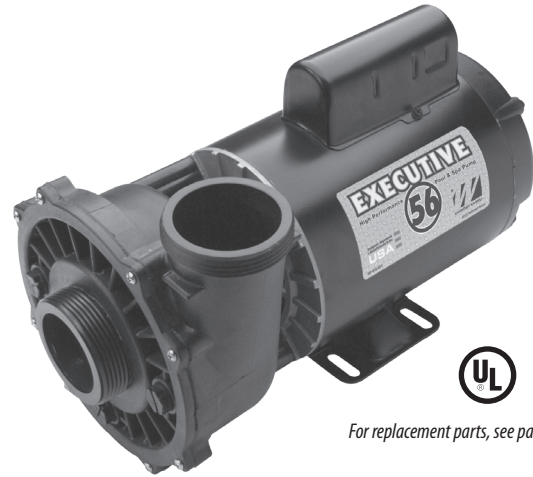
Pumps and replacement motors that are single speed and one (1) total HP or greater cannot be sold, offered for sale, or installed in a residential pool for filtration use in California, Title 20 CCR sections 1601-1609.

EXECUTIVE 56

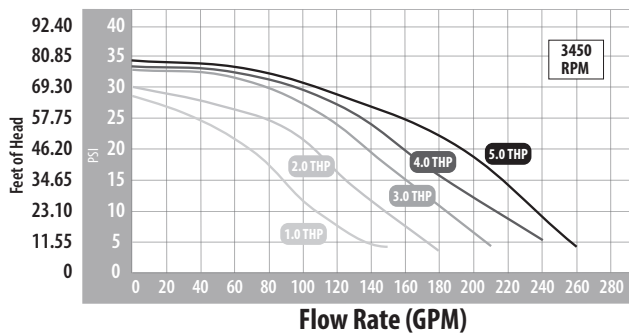
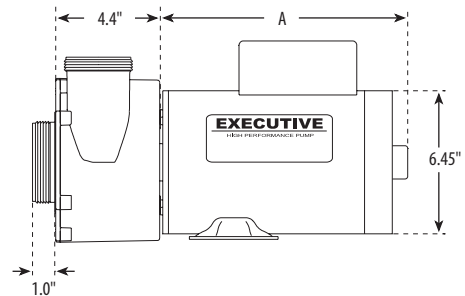
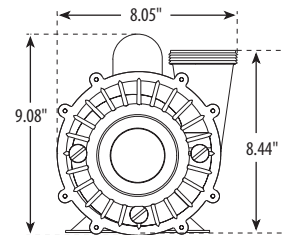
FEATURES:

- Executive wet end designed specifically for 56-frame motors
- Large 2 ½" intake for improved flow performance and reduced noise
- Large 6 ½" diameter wet end for higher head pressure
- Split capacitor, (start and run) for less energy consumption
- Thermally protected to extend life expectancy of motor
- Highly versatile wet end can be rotated every 90°
- Silicone carbide seals, Viton bellows, 316SS casing, corrosion resistance against chlorine, bromine & salt
- CE and TUV certification on export pumps to ensure product for you and your customers

Call for available cords and plugs.



For replacement parts, see page 214



1-Speed Executive 56-Frame Pumps

Part No.	Description	HP	Volts	Amps	Hz	Dimension "A"	Weight (lbs.)
3710821-1D	2" Intake - 2" Discharge	2	230	8.0	60	8.875"	34
3710821-13	2 ½" Intake - 2" Discharge	2	230	8.0	60	8.875"	34
3711221-1D	2" Intake - 2" Discharge	3	230	10.0	60	9.875"	34
3711221-13	2 ½" Intake - 2" Discharge	3	230	10.0	60	9.875"	34
3711621-1D	2" Intake - 2" Discharge	4	230	12.0	60	10.375"	41
3711621-13	2 ½" Intake - 2" Discharge	4	230	12.0	60	10.375"	40
3712021-1D	2" Intake - 2" Discharge	5	230	16.4	60	10.375"	45
3712021-13	2 ½" Intake - 2" Discharge	5	230	16.4	60	10.375"	45

2-Speed Executive 56-Frame Pumps

Part No.	Description	HP	Volts	Amps High Speed	Amps Low Speed	Hz	Dimension "A"	Weight (lbs.)
3720821-1D	2" Intake - 2" Discharge	2	230	8.0	3.0	60	8.875"	34
3720821-13	2 ½" Intake - 2" Discharge	2	230	8.0	3.0	60	8.875"	34
3721221-1D	2" Intake - 2" Discharge	3	230	10.0	3.4	60	9.875"	37
3721221-13	2 ½" Intake - 2" Discharge	3	230	10.0	3.4	60	9.875"	37
3721621-1D	2" Intake - 2" Discharge	4	230	12.0	4.4	60	10.375"	44
3721621-13	2 ½" Intake - 2" Discharge	4	230	12.0	4.4	60	10.375"	44
3722021-1D	2" Intake - 2" Discharge	5	230	16.4	4.8	60	10.375"	47
3722021-13	2 ½" Intake - 2" Discharge	5	230	16.4	4.8	60	10.375"	46

Pumps and replacement motors that are single speed and one (1) total HP or greater cannot be sold, offered for sale, or installed in a residential pool for filtration use in California, Title 20 CCR sections 1601-1609.

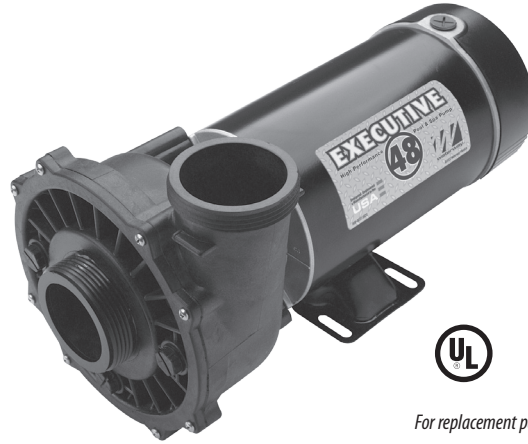


EXECUTIVE 48

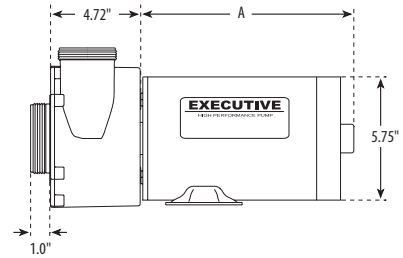
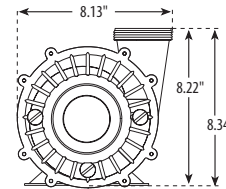
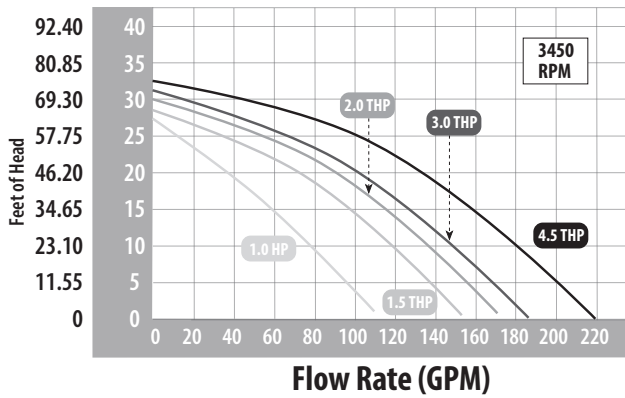
FEATURES:

- Executive wet end designed specifically for 48-frame motors
- Large 6 1/2" diameter wet end for higher head pressure and energy efficiency
- Thermally protected to extend life expectancy of motor
- Highly versatile wet end can be rotated every 90°
- Silicone carbide seals, Viton bellows, 316SS casing, corrosion resistance against chlorine, bromine & salt

Call for available cords and plugs.



For replacement parts, see page 214



1-Speed Executive 48-Frame Pumps

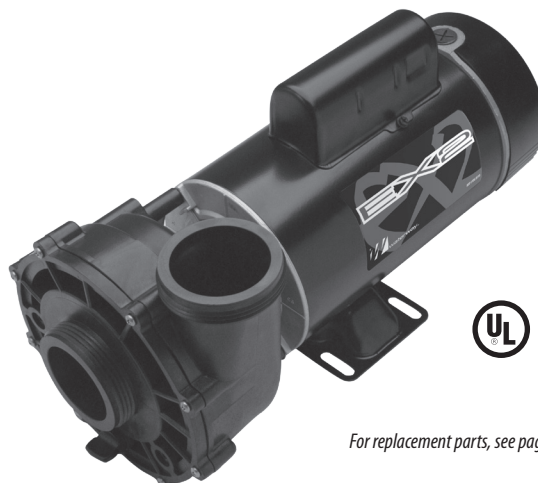
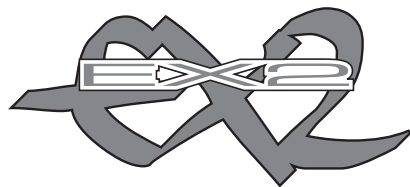
Part No.	Description	HP	Volts	Amps	Hz	Dimension "A"	Weight (lbs.)
3411621-1A	2" Intake - 2" Discharge	4.0	230	12	60	11.18"	36

2-Speed Executive 48-Frame Pumps

Part No.	Description	HP	Volts	Amps High Speed	Amps Low Speed	Hz	Dimension "A"	Weight (lbs.)
3420620-1A	2" Intake - 2" Discharge	1.5	230	8.0	2.6	60	10.45"	30
3420820-1A	2" Intake - 2" Discharge	2.0	230	10.5	2.6	60	11.0"	33
3421221-1A	2" Intake - 2" Discharge	3.0	230	8.5	2.8	60	11.0"	36
3421821-1A	2" Intake - 2" Discharge	4.5	230	12.0	3.5	60	11.98"	37

Pumps and replacement motors that are single speed and one (1) total HP or greater cannot be sold, offered for sale, or installed in a residential pool for filtration use in California, Title 20 CCR sections 1601-1609.

Spa Pumps

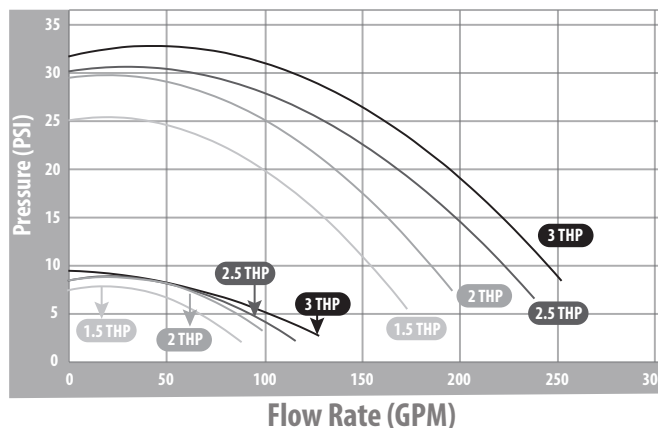


For replacement parts, see page 215.

FEATURES:

- True continuous rated horsepower of 1.5, 2.0, 2.5 and 3.0 HP
- 48-Frame or 56-Frame, Single or Dual Speed (energy saving)
- Same physical size as Aqua-Flo XP2, XP2e (fits within the same volume envelope)
- Made in USA from highest quality materials with UL and CUL certifications
- Silicone carbide seals, Viton bellows, 316SS casing, corrosion resistance against chlorine, bromine & salt
- Equipped with high performance electrical motors, custom designed for Spa applications

Call for available cords and plugs.



1-Speed EX 2 48-Frame Pumps

Part No.	Description	HP - Full	Volts	Amps	Hz	Weight (lbs.)
3411020-1U	2" Intake - 2" Discharge	2.5	230	10.0	60	34
3411621-1U	2" Intake - 2" Discharge	3.0	230	12.0	60	35

2-Speed EX 2 48-Frame Pumps

Part No.	Description	HP - Full	Volts	Amps High Speed	Amps Low Speed	Hz	Weight (lbs.)
3421020-1U	2" Intake - 2" Discharge	2.5	230	11.0	3.3	60	36
3421821-1U	2" Intake - 2" Discharge	3	230	12.0	3.5	60	37

1-Speed EX 2 56-Frame Pumps

Part No.	Description	HP - Full	Volts	Amps	Hz	Weight (lbs.)
3711621-1W	2" Intake - 2" Discharge	3.0	230	12.0	60	41

2-Speed EX 2 56-Frame Pumps

Part No.	Description	HP - Full	Volts	Amps High Speed	Amps Low Speed	Hz	Weight (lbs.)
3720821-1W	2" Intake - 2" Discharge	2	230	8.0	3.0	60	34
3721621-1W	2" Intake - 2" Discharge	3.0	230	12.0	4.4	60	47
3M21621-1W	2" Intake - 2" Discharge	3.0	230	12.0	4.4	60	44

Pumps and replacement motors that are single speed and one (1) total HP or greater cannot be sold, offered for sale, or installed in a residential pool for filtration use in California, Title 20 CCR sections 1601-1609.

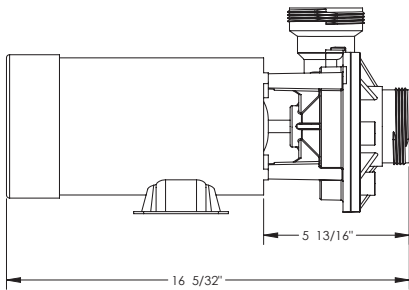
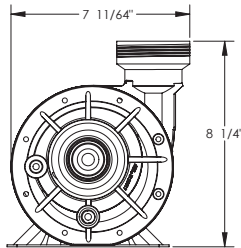


FEATURES:

- High volume side discharge performance
- 60% higher performing than our center discharge pumps
- 2" intake and discharge
- Wet end can be rotated for easy installation
- Available in 1 to 4 HP, 1 or 2 speed
- Large 6 1/2" diameter wet end for higher head pressure
- Silicone carbide seals, Viton bellows, 316SS casing

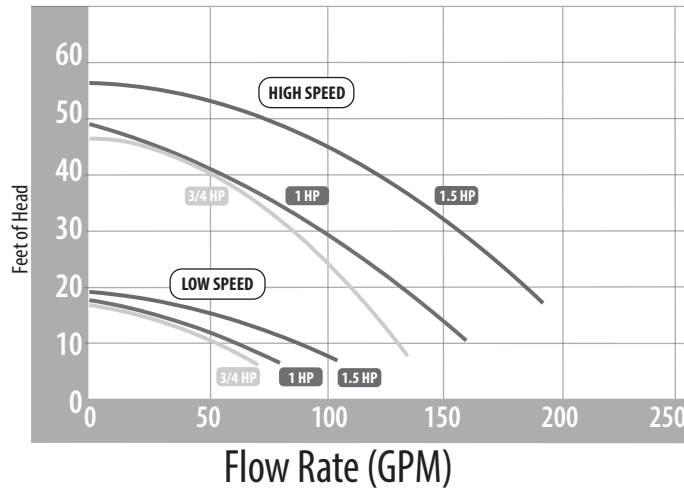


For replacement parts, see page 219



Hi-Flo II

Hi-Flo II Performance Curves



1-Speed Hi-Flo II Side Discharge 48-Frame Pumps

Part No.	HP	Volts	Amps	Hz	Dimension "A"
3410410-10	1.0	115	12.0	60	14.23"
3410612-10	1.5	115	17.0	60	14.78"
3410830-10	2.0	115/230	20-10	60	14.98"

2-Speed Hi-Flo II Side Discharge 48-Frame Pumps

Part No.	HP	Volts	Amps High Speed	Amps Low Speed	Hz	Dimension "A"
3420410-10	1.0	115	11.0	2.9	60	14.73"
3420610-10	1.5	115	16.4	4.4	60	15.48"
3420620-10	1.5	230	8.0	2.6	60	15.48"
3420820-10	2.0	230	8.4	3.6	60	16.00"

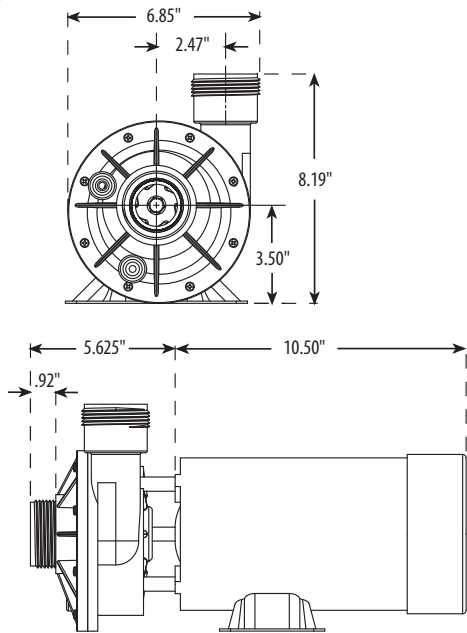
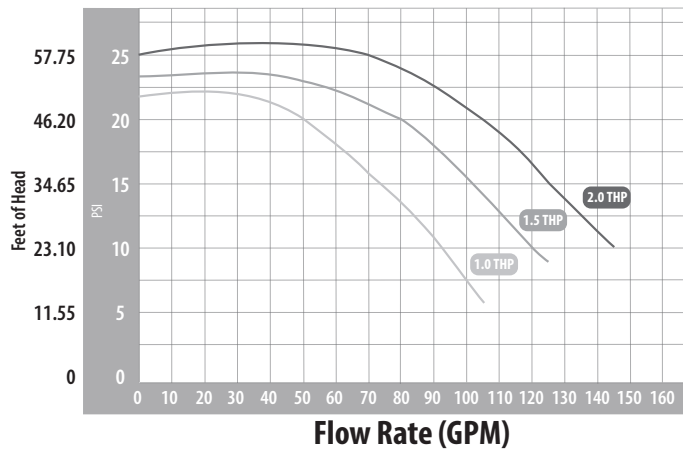
Pumps and replacement motors that are single speed and one (1) total HP or greater cannot be sold, offered for sale, or installed in a residential pool for filtration use in California, Title 20 CCR sections 1601-1609.



FEATURES:

- 48-frame proven design
- Designed for direct replacement in most spas
- Silicone carbide seals, Viton bellows, 316SS casing, corrosion resistance against chlorine, bromine & salt
- Easy to install and service

For replacement parts, see page 218



1-Speed Spa Flo II 48-Frame Pumps

Part No.	HP	Volts	Hz	Case Quantity
3410410-S0Z	1	115	60	1
3410610-S0Z	1 ½	115	60	--
3410830-S0Z	2	115 / 230	60	1

Sold without cords. Please call for available cords.

2-Speed Spa Flo II 48-Frame Pumps

Part No.	HP	Volts	Hz	Case Quantity
3420410-S0Z	1	115	60	1
3420610-S0Z	1 ½	115	60	1
3420820-S0Z	2	230	60	1

Sold without cords. Please call for available cords.

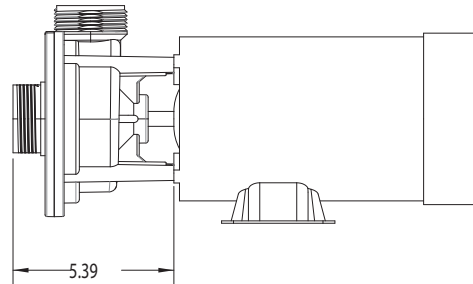
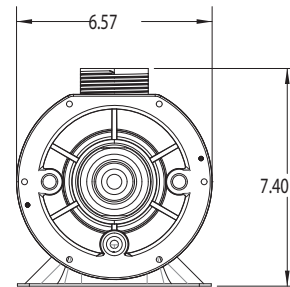
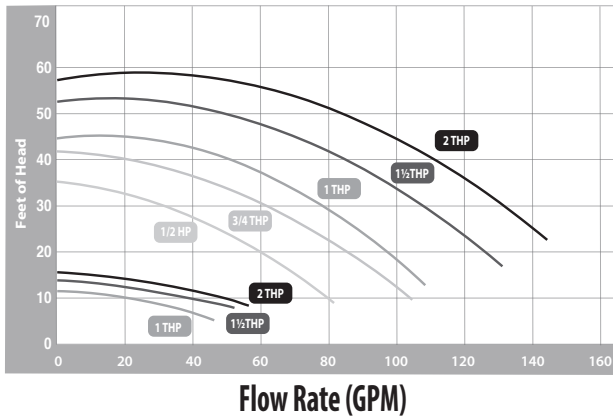
Pumps and replacement motors that are single speed and one (1) total HP or greater cannot be sold, offered for sale, or installed in a residential pool for filtration use in California, Title 20 CCR sections 1601-1609.



FEATURES:

- Reliable center discharge performance
- 1 1/2" intake and discharge for reduced noise and energy efficiency
- Wet end can be rotated for easy installation
- Available in 3/4 to 2 HP, 1 or 2 speed
- Silicone carbide seals, Viton bellows, 316SS casing, corrosion resistance against chlorine, bromine & salt

For replacement parts, see page 221



Spa Pumps

1-Speed Center Discharge Spa Pumps

Part No.	HP	Volts	Amps	Hz	Dimension "A"	Weight (lbs.)
3410310-15	3/4	115	9.8	60	14.00"	19
3410410-15	1.0	115	12.0	60	14.50"	21
3410610-15	1.5	115	17.0	60	15.05"	26
3410830-15	2.0	115/230	20-10	60	16.26"	33

2-Speed Center Discharge Spa Pumps

Part No.	HP	Volts	Amps High Speed	Amps Low Speed	Hz	Dimension "A"	Weight (lbs.)
3420310-15	3/4	115	8.8	2.6	60	15.00"	25
3420410-15	1.0	115	11.0	2.9	60	15.00"	26
3420610-15	1.5	115	16.4	4.4	60	15.75"	29
3420620-15	1.5	230	8.0	2.6	60	15.73"	29
3420820-15	2.0	230	10.5	2.6	60	16.28"	32

Pumps and replacement motors that are single speed and one (1) total HP or greater cannot be sold, offered for sale, or installed in a residential pool for filtration use in California, Title 20 CCR sections 1601-1609.

IRON MIGHT™

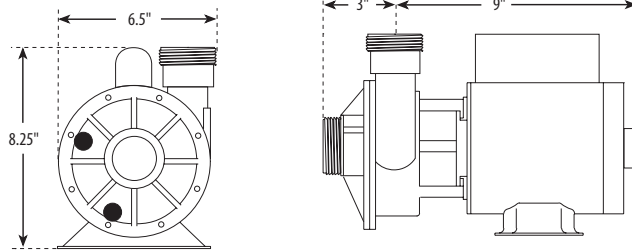
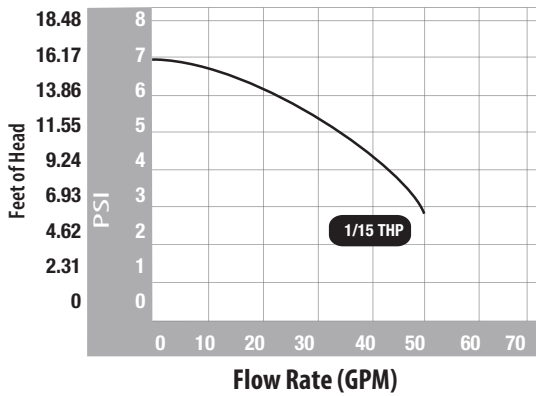
**NOW in
50/60 Hz!**



FEATURES:

- 24-hour circulation
- 48-frame proven design
- Side discharge for optimum flow
- Silicone carbide seals, Viton bellows, 316SS casing, corrosion resistance against chlorine, bromine & salt

PRESSURE VS FLOW RATE



Spa Pumps

Iron Might 1-Speed 48-Frame Circulating Pumps

Part No.	Volts	Hz	Case Quantity	Weight (lbs.)
3J10070-0E	230	50/60	1	--
3410030-1E	115	60	1	14

Leaf Trap (sold separately)

Part No.	Description	Case Quantity	Weight (lbs.)
310-5400	Leaf Trap – 1 1/2" Union x 1 1/2" FPT	4	13



Pond Pump - Iron Might with Trap

Part No.	Description	Weight (lbs.)
3410030-1E77	1/5 HP - 115V - 6 ft. NEMA Cord	19

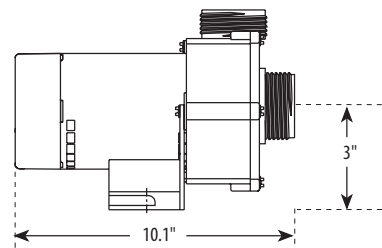
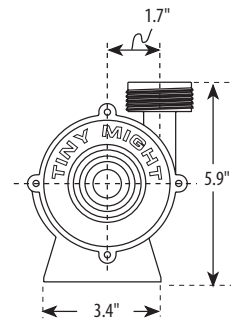
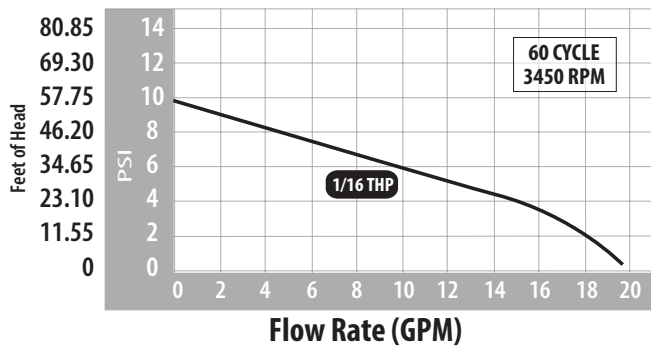
Pumps and replacement motors that are single speed and one (1) total HP or greater cannot be sold, offered for sale, or installed in a residential pool for filtration use in California, Title 20 CCR sections 1601-1609.

TINY MIGHT



FEATURES:

- Larger, 303 stainless steel, 3/8" motor shaft improves impeller stack-up height.
- Larger motor bearings for longer motor life.
- Larger motor housing improves ventilation and keeps motor running cooler
- Designed for 24 hour circulation.
- Very quite and energy efficient (uses less power than a 100W light bulb).
- Silicone carbide seals, Viton bellows, 316SS casing, corrosion resistance against chlorine, bromine & salt



Tiny Might Circulating Pumps

Part No.	Description	HP	Volts	Amps	Hz	Weight (lbs.)
3312610-14	1" Union x 1" Union	1/16	115	0.8	60	7
3312620-14	1" Union x 1" Union	1/16	230	0.4	50/60	7
3312610-19	1" Barb x 1" Barb	1/16	115	0.8	60	7
3312620-19	1" Barb x 1" Barb	1/16	230	0.4	50/60	7

Pumps and replacement motors that are single speed and one (1) total HP or greater cannot be sold, offered for sale, or installed in a residential pool for filtration use in California, Title 20 CCR sections 1601-1609.

**pre-2012
PARTS**



310-0700

Spa Flo Wet Ends

Part No.	Rating	Case Quantity
310-0700	1 HP	1
310-0800	1 ½ HP	15
310-0810	2 HP	12



310-0140

Silicone carbide seals,
Viton bellows,
316SS casing

2 ½" Viper Wet Ends

Part No.	Motor	Rating	Case Quantity
310-0140	56-Frame	4 HP	8

EX2 Wet Ends

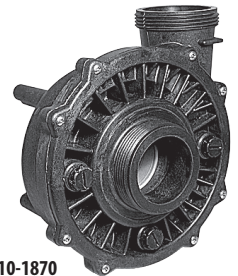
Part No.	Motor	Rating	Case Qty.	Part No.	Motor	Rating	Case Qty.
310-2450	48-Frame	1 ½ HP	8	310-2360	56-Frame	1 ½ HP	8
310-2460	48-Frame	2 HP	8	310-2370	56-Frame	2 HP	8
310-2480	48-Frame	3 HP	8	310-2380	56-Frame	3 HP	8
				310-2390	56-Frame	2 ½ HP	8



310-2360

2" Executive Wet Ends

Part No.	Motor	Rating	Case Qty.	Part No.	Motor	Rating	Case Qty.
310-1870	48-Frame	1 HP	8	310-1710	56-Frame	1 HP	8
310-1880	48-Frame	1 ½ HP	8	310-1720	56-Frame	2 HP	8
310-1890	48-Frame	2 HP	8	310-1730	56-Frame	3 HP	8
310-1900	48-Frame	3 HP	8	310-1740	56-Frame	4 HP	8
310-1910	48-Frame	4 HP	8	310-1750	56-Frame	5 HP	8
310-1920	48-Frame	4 ½ HP	8				
310-1930	48-Frame	5 HP	8				



310-1870

Iron Might II Circulating Wet Ends

Part No.	Rating	Case Qty.
310-7820	¾ HP	12



310-7820

2 ½" Executive Wet Ends

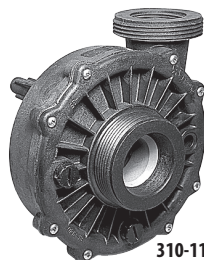
Part No.	Motor	Rating	Case Qty.
310-1460	56-Frame	1 HP	8
310-1480	56-Frame	2 HP	8
310-1500	56-Frame	3 HP	8
310-1440	56-Frame	4 HP	8
310-1510	56-Frame	5 HP	8



310-1800

2" Hi-Flo Side Discharge Wet Ends

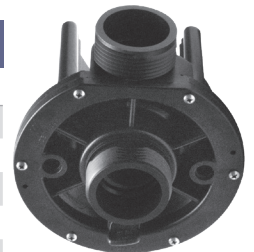
Part No.	Rating	Case Qty.
310-1130SD	1 HP	12
310-1140SD	1 ½ HP	12
310-1141SD	2 HP	12
310-1150SD	3 HP	12
310-1160SD	4 HP	12



310-1130SD

E-Series Center Discharge Wet Ends

Part No.	Rating	Case Qty.
310-8200	½ HP	12
310-8210	¾ HP	12
310-8220	1 HP	12
310-8230	1.5 HP	12
310-8240	2 HP	12



310-8210

Note: E-Series Center Discharge Wet Ends are the same size as the Standard Series Center Discharge Wet Ends. See Page 155 Series Center Discharge.



310-7700SD

Silicone carbide seals,
Viton bellows,
316SS casing

2" Hi-Flo II Side Discharge Wet Ends

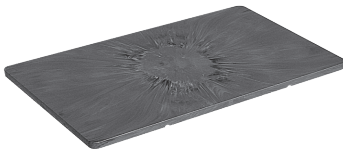
Part No.	Rating	Case Qty.
310-7700SD	½ HP	12
310-7710SD	¾ HP	12
310-7720SD	1 HP	12
310-7730SD	1 ½ HP	12
310-7740SD	2 HP	12



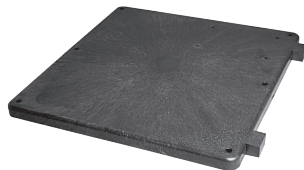
310-7800

Spa Flo II Wet End

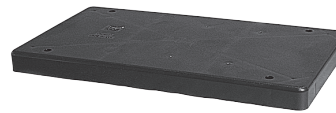
Part No.	Rating	Case Qty.
310-7800	½ HP	12
310-7810	¾ HP	12
310-7820	1 HP	12
310-7830	1 ½ HP	12
310-7840	2 HP	12



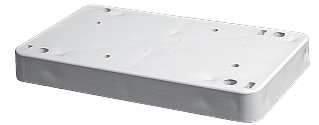
672-1000



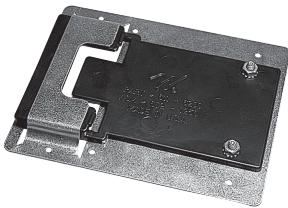
672-1010



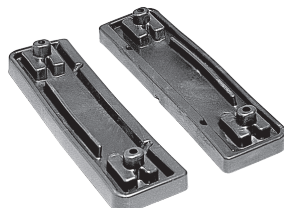
672-1060



672-1030



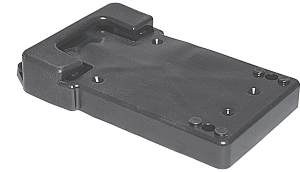
672-7250



672-1320



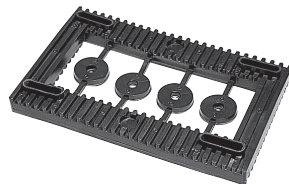
672-1780



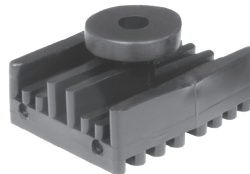
672-1100



672-1020



319-0019



672-1170

Anti-Vibration Pads
(sold separately only
for Waterway pumps)

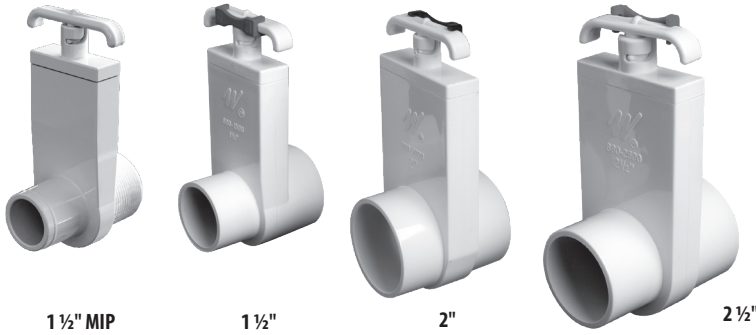
Wet Ends / Bases

Bases

Part No.	Description	Case Quantity
672-1030	½" Thick Base	170
672-7250	Metal Pump Base Assembly - 7 ½" x 5 ⁵⁄₁₆"	25
672-1320	Rubber EMG Euro Motor Base (sold as a pair)	80
672-1100	¾" Thick Base with Tabs - PVC Flex	100
672-1020	¾" Thick Base	170
672-1080	¾" Thick Base - PVC Flex	50
319-0019	Self-Aligning Rubber Motor Base	100
672-1780	Universal Floating 9" x 9" Pump Base Assembly	25
672-1000	Equipment Base - 1" x 15 ¼" x 26 ¼"	100
672-1010	Equipment Base - 1" x 14 ½" x 15"	200
672-1060	Equipment Base - 1" x 8 ½" x 15 ½"	16
672-1170	Anti-Vibration Pump Base Foot Pads	144



Valves / Slice & Check Valves



1 1/2" MIP

1 1/2"

2"

2 1/2"

880-2599

880-2099

880-1599

Slice Valves

Part No.	Description	Case Quantity
880-1500	1 1/2" Slice Valve - 2" SPG / 1 1/2" S x 1 1/2" Spigot	30
880-1510	1 1/2" Slice Valve - 1 1/2" Spigot x 1 1/2" Spigot	30
880-1530	1 1/2" MIP Slice Valve - 1 1/2" Hose	30
880-2020	2" Slice Valve - 2" S x 2" S	48
880-2010	2" Slice Valve - 2" Spigot x 2" Spigot	48
880-2000	2" Slice Valve - 2" Spigot x 2" S	60
880-2500	2 1/2" Slice Valve - 2 1/2" S x 2 1/2" Spigot	24
880-2520	2 1/2" Slice Valve - 2 1/2" S x 2 1/2" S	32
880-1599	Clip for 1 1/2" Slice Valve	--
880-2099	Clip for 2" Slice Valve	--
880-2599	Clip for 2 1/2" Slice Valve	--



600-8140



550-6800



600-2900



670-1100



600-4000



670-2270

Check Valves

Part No.	Description	Case Quantity
600-8140	Air Check Valve - 1/4 lb. Spring - 1 1/2" S x 1 1/2" S	50
600-8160	Air Check Valve - 1/4 lb. Spring - 2" Spigot x 2" Spigot	50
600-8150	Water Bypass Valve - 8 lb. Spring - 1 1/2" S x 1 1/2" S (standard color is black)	50
550-6810	Flapper Check Valve Body - 1.25 - 2 lbs. Spring - 2" S x 2" S	72
550-6800	Flapper Check Valve Body - 2.5 - 8 lbs. Spring - 2" S x 2" S	72
600-4000	Flapper Check Valve - Tee - 1" S x 1" S (standard color is white)	80
600-5000	Check Valve Assembly - Tee - 1" S x 1" S	140
600-2900	1 1/2" Blower Check Valve Assy	45
670-1100	1" Check Valve with Flapper Assembly	200
670-2270	1/2" S NEOPERL Check Valve with Cap/Foam	125
670-2220	1/2" S Tee NEOPERL Check Valve with Cap/Foam	125



400-1940



400-1990

1" Pump Union Assemblies

Part No.	Description	Case Quantity
400-1940	1" Union Nut with 3/4" RB Tailpiece and O-Ring	25
400-1990	1" S Union Nut with 1" Slip Tailpiece and O-Ring	200



400-4060



400-2020



400-2010



400-4230



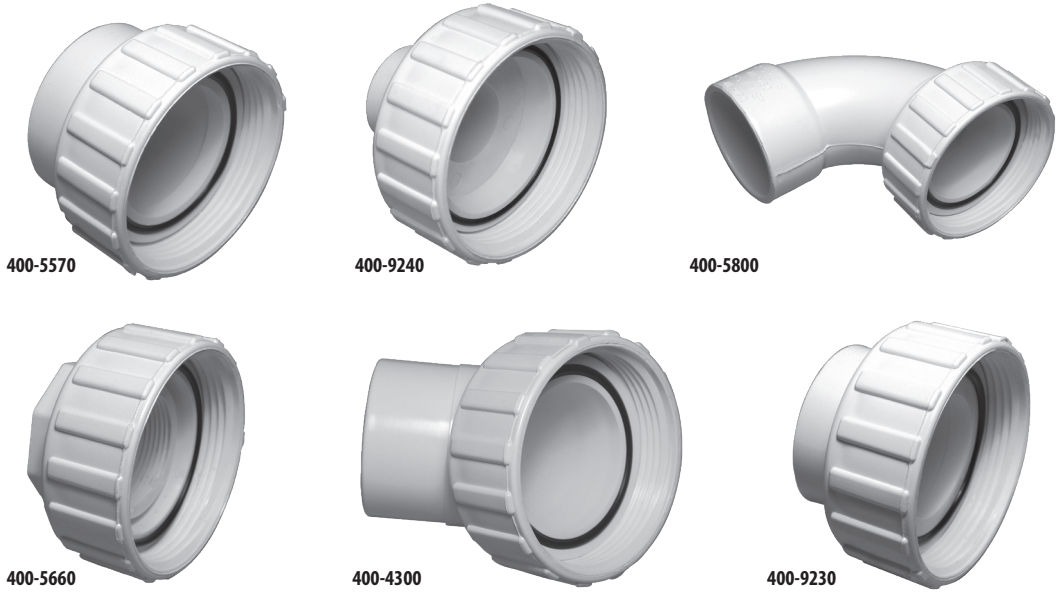
400-4240



400-9280

1 1/2" Pump Union Assemblies

Part No.	Description	Case Quantity
400-4060	1 1/2" Union Nut with 1 1/2" S Tailpiece and O-Ring	100
400-5640	1 1/2" Union Nut with 1 1/2" S Tailpiece with Gasket	100
400-2020	1 1/2" Union Nut with 1 1/2" Spigot / 1" S Tailpiece and O-Ring	80
400-2010	1 1/2" Union Nut with 50mm S Tailpiece and O-Ring	35
400-4230	1 1/2" Union Nut with 1 1/2" FPT Tailpiece and O-Ring	100
400-4510	1 1/2" Union Nut with 1 1/2" FPT Tailpiece and O-Ring with Gasket	200
400-4240	1 1/2" Union Nut with 1 1/2" Spigot Tailpiece and O-Ring	50
400-9280	1 1/2" Union Nut with 1 1/2" / 1 1/4" Hose Adapter and O-Ring	25



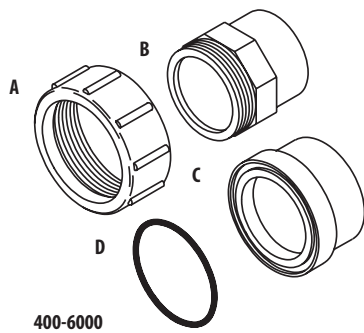
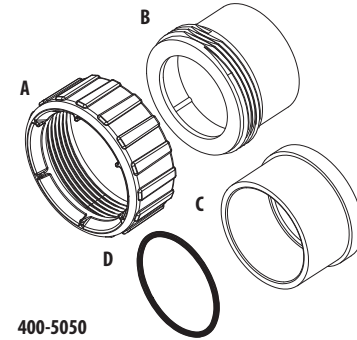
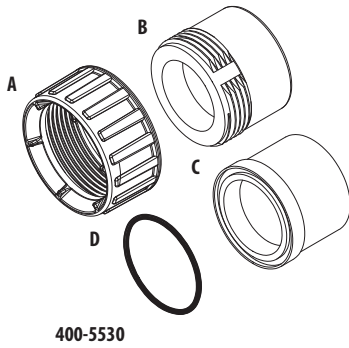
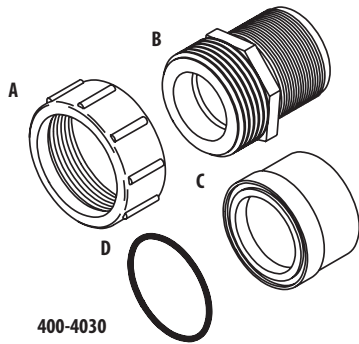
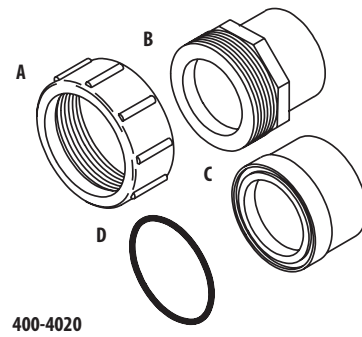
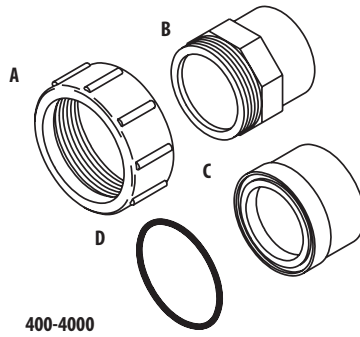
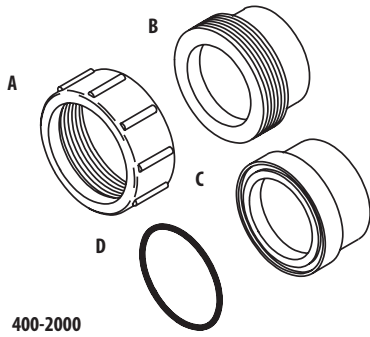
2" Pump Union Assemblies

Part No.	Description	Case Quantity
400-5570	2" Union Nut with 2" S Tailpiece and O-Ring	45
400-5670	2" Union Nut with 2" S Tailpiece and O-Ring with Gasket	70
400-9240	2" Union Nut with 1 1/2" Hose Adapter and O-Ring	30
400-5800	2" Union Nut with 2" S Sweep Ell - 90° Tailpiece	40
400-5660	2" Union Nut with 1 1/2" FPT Nut Tailpiece and O-Ring	72
400-4300	2" Union Nut with 2" Spigot 45° Tailpiece and O-Ring	60
400-9230	2" Union Nut with 2" Spigot / 1 1/2" S Tailpiece and O-Ring	40
400-5680	2" Union Nut with 2" Spigot / 1 1/2" S Tailpiece and O-Ring with Gasket	70



2 1/2" Pump Union Assemblies

Part No.	Description	Case Quantity
400-5990	2 1/2" Union Nut with 2" S Tailpiece and O-Ring	50
400-6010	2 1/2" Union Nut with 2 1/2" S Tailpiece and O-Ring	36
400-6021B	2 1/2" Union Nut x 2 1/2" S - Black (2 included with SVL56 pump)	36
400-5971B	2 1/2" Union Nut x 2" S - Black (2 included with SVL56 pump)	36



Union Assemblies

Part No.	Description	Part A	Part B	Part C	Part D	Case Quantity
400-2000	Union Assembly - 1" S x 1" S	415-2000	417-2010	417-2020	805-0123	60
400-4000	Union Assembly #1 - 1 1/2" S x 1 1/2" S	415-4000	417-4010	417-4000	805-0226	100
400-4020	Union Assembly #3 - 1 1/2" S x 1 1/2" Spigot	415-4000	417-4030	417-4000	805-0226	25
400-4030	Union Assembly - 1 1/2" MPT x 1 1/2" S	415-4000	417-4060	417-4000	805-0226	25
400-5530	Union Assembly - 2" Spigot / 1 1/2" S x 1 1/2" S	415-4000	417-4000	417-5080	805-0226	40
400-5050	Union Assembly #13 - 2" S x 2" S	415-5000	417-5040	417-5120	805-0229	25
400-6000	Union Assembly - 2 1/2" S x 2 1/2" S	415-6000	417-6010	417-6000	805-0232	36

Standard color is white. All fittings meet or exceed A.S.T.M. Schedule 40 standards.



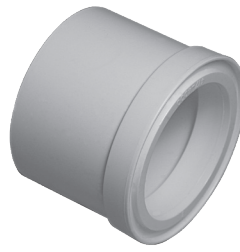
Unions / 1 1/2" Union Components



415-4000



417-4070



417-4000



417-2000



417-4030



417-4060



417-4080



417-6040



417-4010



417-6020



417-5080



417-4110



711-4000



805-0226

1 1/2" Union Components

Part No.	Description	Case Quantity
415-4000	1 1/2" Union Nut	50
417-4070	1 1/2" Flange x 1 1/2" FPT Tailpiece	100
417-4000	1 1/2" Flange x 1 1/2" S Tailpiece	50
417-5500	1 1/2" Flange x 50mm S Tailpiece	100
417-2000	1 1/2" Flange x 1 1/2" Spigot / 1" S Tailpiece	50
417-4100	1 1/2" Flange x 1 1/2" Spigot	75
417-4030	1 1/2" Buttress Thread x 1 1/2" Spigot Tailpiece	230
417-4060	1 1/2" Buttress Thread x 1 1/2" MPT Tailpiece	230
417-4080	1 1/2" Flange x 1 1/2" S Tailpiece - Short	50
417-6040	1 1/2" Flange x 1 1/2" / 1 1/4" Hose Adapter Fitting	75
417-4010	1 1/2" Buttress Thread x 1 1/2" S Tailpiece	250
417-6020	1 1/2" Flange x 1 1/2" S Hose Adapter Fitting	50
417-5080	1 1/2" Buttress Thread x 1 1/2" S x 2" Spigot Tailpiece	75
417-4110	1 1/2" Buttress x 1 1/2" S - Short	150
711-4000	1 1/2" Union Kraton Gasket	500
805-0226	O-Ring - 1 1/2" Tailpiece	100



415-5000



417-5120



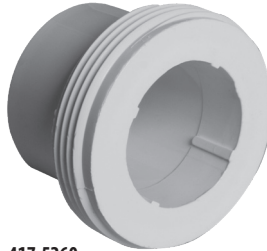
417-5020



417-5130



417-6030



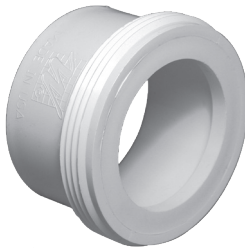
417-5260



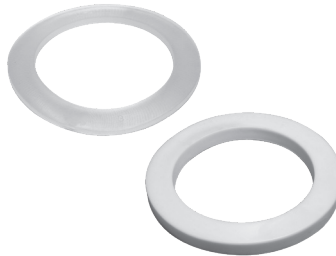
417-4220



417-5040



417-6010



711-4010 / 711-4020



415-6000



417-6000



805-0145



805-0232

2" and 2 1/2" Union Components

Part No.	Description	Case Quantity
415-5000	2" Union Nut	180
417-5120	2" Flange x 2" S Tailpiece	50
417-5020	2" Flange x 2" Spigot / 1 1/2" S Tailpiece	100
417-5130	2" Flange x 1 1/2" FPT Nut Tailpiece	140
417-6050	2" Flange x 1 1/2" / 1 1/4" Hose Adapter Fitting	200
417-6030	2" Flange x 1 1/2" Hose Adapter Fitting	25
417-5260	2" Buttress Thread x 2" Spigot / 1 1/2" S Tailpiece	160
417-4220	2" Flange x 2" MPT	50
417-5090	2" Flange Thread x 1 1/2" MPT Tailpiece	25
417-5040	2" Buttress Thread x 2" S Tailpiece	150
805-0145	O-Ring - 2" Heater Tailpiece	100
805-0229	2" Pump Union (thick) O-ring	100
711-4010	2" Flat Union Kraton Gasket	500
711-4020	2" x 1/4" Thick Union Kraton Gasket	500
711-4030	2" Ribbed O-ring Union Kraton Gasket	500
415-6000	2 1/2" Union Nut	50
417-6000	2 1/2" Flange x 2 1/2" Socket	50
417-5970	2 1/2" Flange x 2" Socket	50
417-6010	2 1/2" Buttress Thread x 2 1/2" Socket	100
805-0232	O-Ring - 2 1/2" Heater Tailpiece	100



400-5491

1 1/2" Heater Union Nuts

Part No.	Description	Case Quantity
400-5461	1 1/2" Heater Split Nut - Long Assembly - with Screws	50
400-5491	1 1/2" Heater Split Nut - with Screws	100
415-4021	1 1/2" Heater Split Nut - without Screws	100



417-4090



417-4050

1 1/2" Heater Union Tailpieces

Part No.	Description	Case Quantity
417-4090	1 1/2" Buttress Thread x 1 1/2" S Tailpiece	100
417-4050	1 1/2" Buttress Thread x 1 1/2" Spigot Tailpiece	75



805-0224



711-4000



711-4050

1 1/2" Heater Union O-Ring Gaskets

Part No.	Description	Case Quantity
805-0224	O-Ring - 1 1/2" Heater Tailpiece	100
711-4000	Kraton Gasket - 1 1/2" Heater Tailpiece	500
711-4050	Kraton O-Ring Gasket - 1 1/2" Heater Tailpiece	500



400-5161

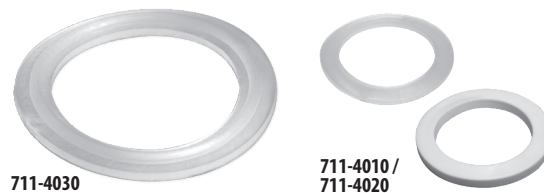
2" Heater Union Nuts

Part No.	Description	Case Quantity
400-5161	2" Heater Split Nut - with Screws	150
415-5161	2" Heater Split Nut - without Screws	150



2" and 2 1/2" Heater Union Tailpieces

Part No.	Description	Case Quantity
417-2090	2" Buttress Thread x 1 1/2" S Tailpiece	50
417-5050	2" Buttress Thread x 2" S Tailpiece	150
417-5060	2" Buttress Thread x 2" Spigot Tailpiece	45
417-5160	2" Buttress Thread x 2" Spigot / 1 1/2" S Tailpiece	160
417-5140	2" Buttress Thread x 2" MPT Tailpiece	45
413-2160	Heater Flow Switch Tee - 2" Buttress Thread x 2" Spigot x 1/2" FPT	25
417-5180	2" Buttress Thread x 3/4" S / 1" Spigot	100
417-5980	2 1/2" Heater Buttress Tailpiece	25

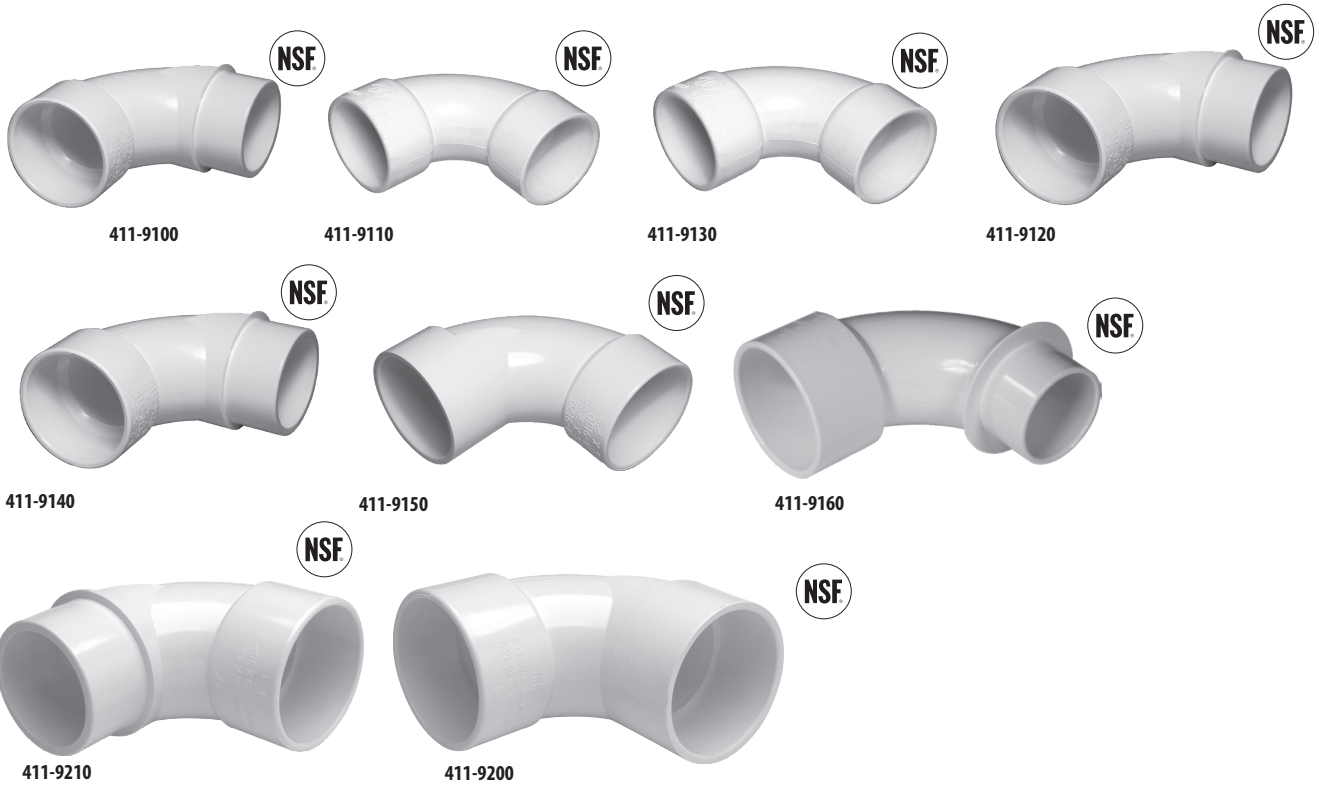


2" and 2 1/2" Heater Union O-Rings and Gaskets

Part No.	Description	Case Quantity
711-4020	1/4" Thick Kraton Gasket - 2" Heater Tailpiece	500
711-4010	Kraton Gasket - 2" Heater Tailpiece	500
805-0229	O-Ring - 2" Heater	100
711-4030	2" Heater Tailpiece Kraton Gasket - with O-Ring Rib	500
711-6020	2 1/2" Heater Union Kraton Gasket	500



Ells, Tees, & Wyes / Sweep Ells & U Bends



Ells / Tees / Wyes

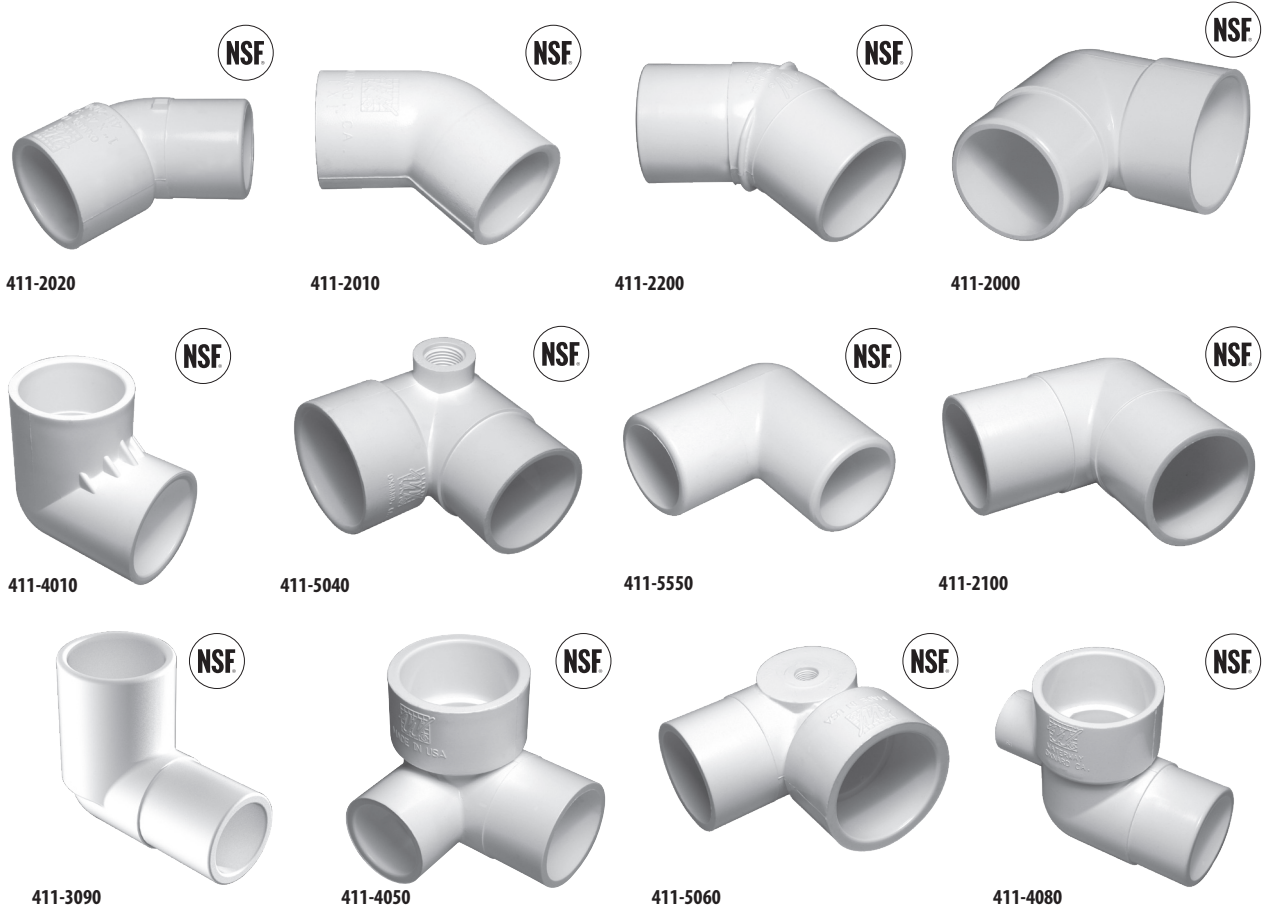
Sweep Ells

Part No.	Description	NSF Approved	Case Quantity
411-9100	1 1/2" Spigot x 1 1/2" S	X	100
411-9110	1 1/2" S x 1 1/2" S	X	100
411-9120	2" Spigot x 2" S	X	60
411-9130	2" S x 2" S	X	60
411-9140	2 1/2" Spigot x 2 1/2" S	X	30
411-9150	2 1/2" S x 2 1/2" S	X	30
411-9160	2" Spigot 90° x 2 1/2" S	X	35
411-9200	3" S x 3" S	X	15
411-9210	3" S x 3" Spigot	X	15



U-Bends

Part No.	Description	Case Quantity
429-4000	U-Bend - 1 1/2" S x 1 1/2" S	50
429-4030	U-Bend - 2" S x 2" S	35
400-4130	2" Sweep Vent Grate Assembly	35



411-2020

411-2010

411-2200

411-2000

411-4010

411-5040

411-5550

411-2100

411-3090

411-4050

411-5060

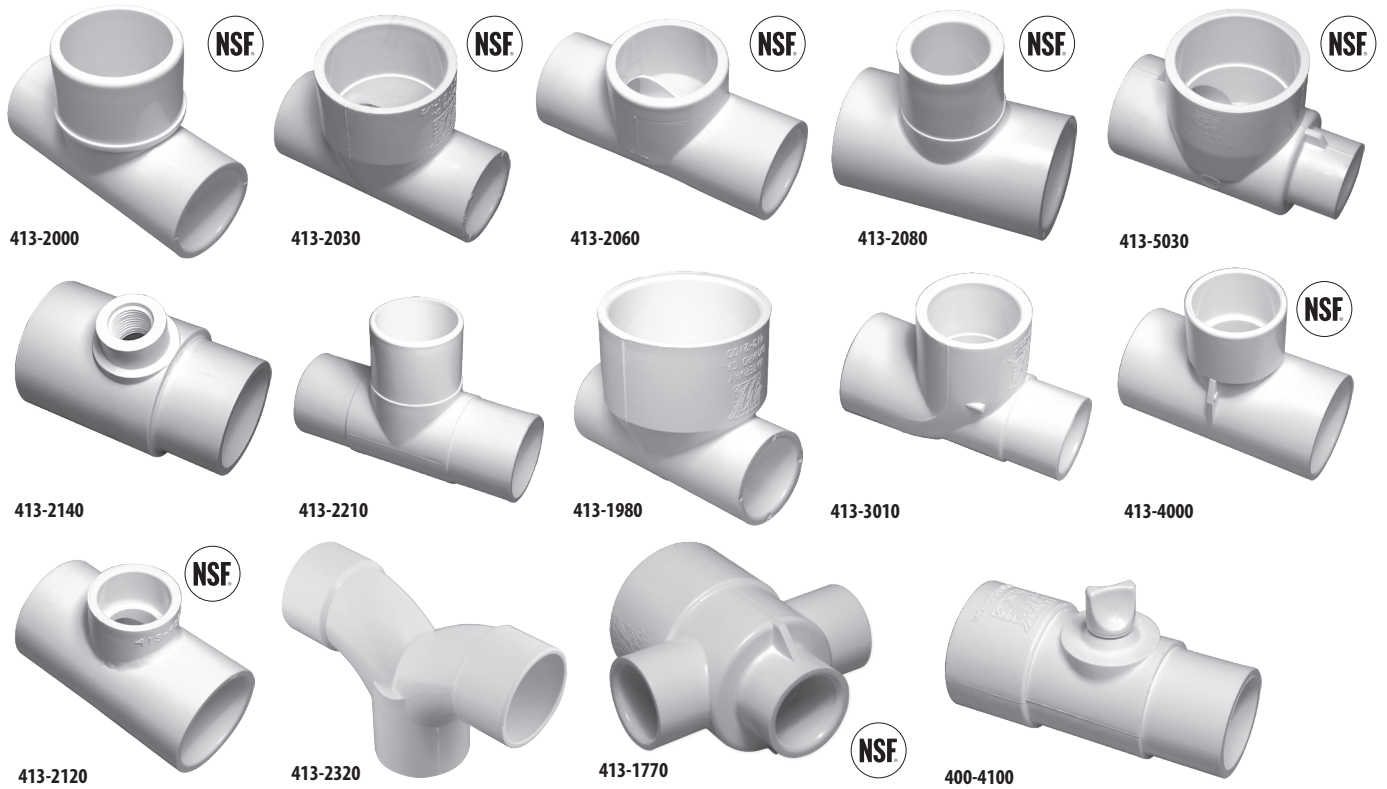
411-4080

45° and 90° Ells

Part No.	Description	NSF Approved	Case Quantity
411-2020	45° Street Ell – 1" S x 1" Spigot	X	50
411-4040	45° Street Ell – 1 1/2" S x 1 1/2" Spigot		140
411-5030	45° Street Ell – 2" S x 2" Spigot		90
411-2010	45° Ell – 1" S x 1" S	X	150
411-2200	45° Ell – 2" Spigot x 2" Spigot	X	80
411-2000	90° Street Ell – 1" S x 1" Spigot	X	50
411-3090	90° Ell - 3/4" Spigot x 3/4" Spigot	X	250
411-4000	90° Street Ell – 1 1/2" S x 1 1/2" Spigot		130
411-5080	90° Street Ell – 2" S x 2" Spigot		60
411-4010	90° Ell – 1 1/2" S x 1 1/2" S	X	50
411-5040	90° Street Ell – 2" S x 2" Spigot x 1/2" FPT Left Side Outlet	X	60
411-5050	90° Street Ell – 2" S x 2" Spigot x 3/8" FPT Left Side Outlet		25
411-5550	90° Ell – 1 1/2" Spigot x 1 1/2" Spigot	X	50
411-2100	90° Ell – 2" Spigot x 2" Spigot	X	60
411-4050	90° Ell – 1 1/2" S x 1 1/2" Spigot x 1" S Side Outlet	X	25
411-5060	90° Street Ell – 1 1/2" S x 1 1/2" Spigot x 1/8" FPT Side Outlet	X	50
411-4080	90° Street Ell – 1 1/2" S x 1 1/2" Spigot x 1/2" S Outlet	X	50
411-9170	Ell - 2" S x 2" S x 3/4" SB		50
411-9180	Ell - 2 1/2" S x 2 1/2" S x 3/4" SB		30

Ells / Tees / Wyes

Ells, Tees, & Wyes / Tees & Tee Assemblies



Tees & Tee Assemblies			
Part No.	Description	NSF Approved	Case Quantity
413-2000	1" S x 1" S x 1 1/2" Spigot	X	50
413-2030	1" S x 1" S x 1 1/2" S	X	140
413-2060	Low Profile - 1" S x 1" S x 1 1/2" Spigot	X	50
413-2080	1" S x 1" S x 1" Spigot	X	100
413-5030	2" S x 1 1/2" S x 1" S	X	70
413-2140	2" S x 2" Spigot x 1/2" FPT		75
413-2180	2" Spigot x 2" S x 3/8" Air Bleed		75
413-2130	2" S x 2" Spigot x 3/4" FPT		75
413-2210	2" Spigot x 2" Spigot x 2" Spigot		40
413-1980	Reducer - 1/2" S x 1/2" S x 1" S		100
413-3010	Reducer - 1" S x 1" S x 1" Spigot / 3/4" S		50
413-4000	1 1/2" S x 1 1/2" S x 1 1/2" Spigot	X	90
413-2150	2" Spigot x 2" S x 1/2" S		75
413-2120	2" Spigot x 2" Spigot x 1" S	X	90
413-2090	1 1/4" S x 1 1/4" S x 1 1/2" Spigot		100
413-2320	Sanitary Tee - 2 1/2" x 2 1/2" x 2 1/2"		15
413-1770	Cross Tee - 1 1/2" S x 3/4" S x 3/4" S x 3/4" S	X	50
400-4100	Tee Assembly with Relief Plug 1 1/2" S x 1 1/2" Spigot x 3/8" FPT		100
400-4260	Tee Assembly with Relief Plug 2" Spigot x 2" S x 3/8" FPT with O-Ring		70



413-4100



413-5040



413-4130

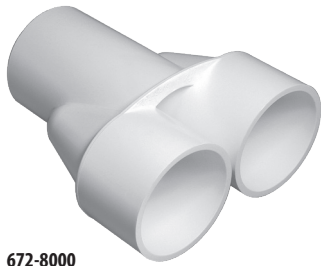


413-1820



Wyes

Part No.	Description	NSF Approved	Case Quantity
413-1810	120° Wye - 3/4" S x 3/4" S x 3/4" S	X	50
413-4160	120° Wye - 1" S x 1" S x 1" S		100
413-4100	120° Wye - 1 1/2" S x 1 1/2" S x 1 1/2" S		70
413-5080	120° Wye - 2" S x 2" S x 2" S		50
413-5040	120° Wye - 2" S x 1 1/2" S x 1 1/2" S	X	50
413-4130	120° Wye - 1 1/2" S x 1" S x 1" S	X	70
413-1820	22 1/2° Wye - 3/4" S x 3/4" S x 3/4" S	X	50
413-2020	22 1/2° Wye - 1" S x 1" S x 1" S		120
413-4140	22 1/2° Wye - 1 1/2" S x 1" S x 1" S		90



672-8000



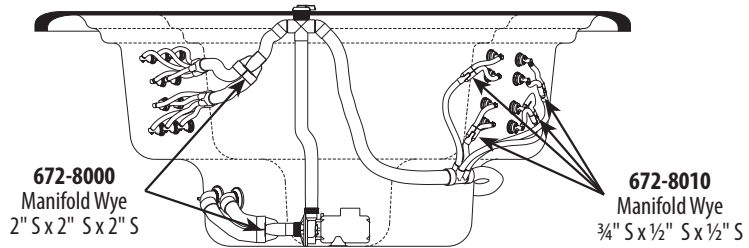
672-8010



672-9540

FEATURES:

- Improves performance
- Saves plumbing cost
- Makes plumbing easier
- Available in two different sizes
- Made of fitting grade type 1 PVC
- Made in the USA

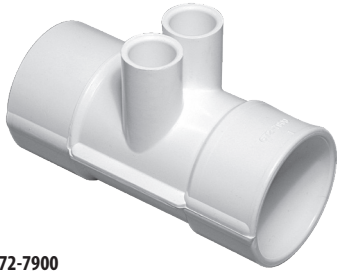


672-8000
Manifold Wye
2" S x 2" S x 2" S

672-8010
Manifold Wye
3/4" S x 1/2" S x 1/2" S

Manifold Wyes

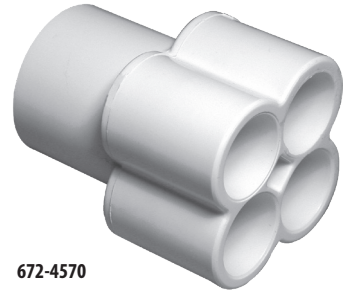
Part No.	Description	Case Quantity
672-8010	3/4" S x 1/2" S x 1/2" S	220
672-8020	1" S x 3/4" S x 3/4" S	180
672-8040	1 1/2" S x 1 1/2" S x 1 1/2" S	50
672-8000	2" S x 2" S x 2" S	40
672-8050	2 1/2" S x 2 1/2" S x 2 1/2" S	20
672-9540	(1) 2 1/2" S x (3) 2" S Distributor Manifold	25



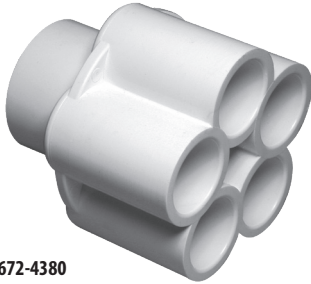
672-7900



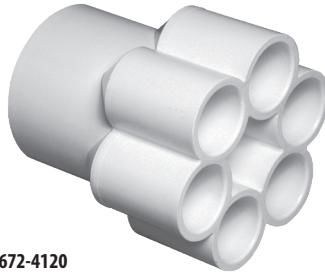
672-4250



672-4570



672-4380



672-4120



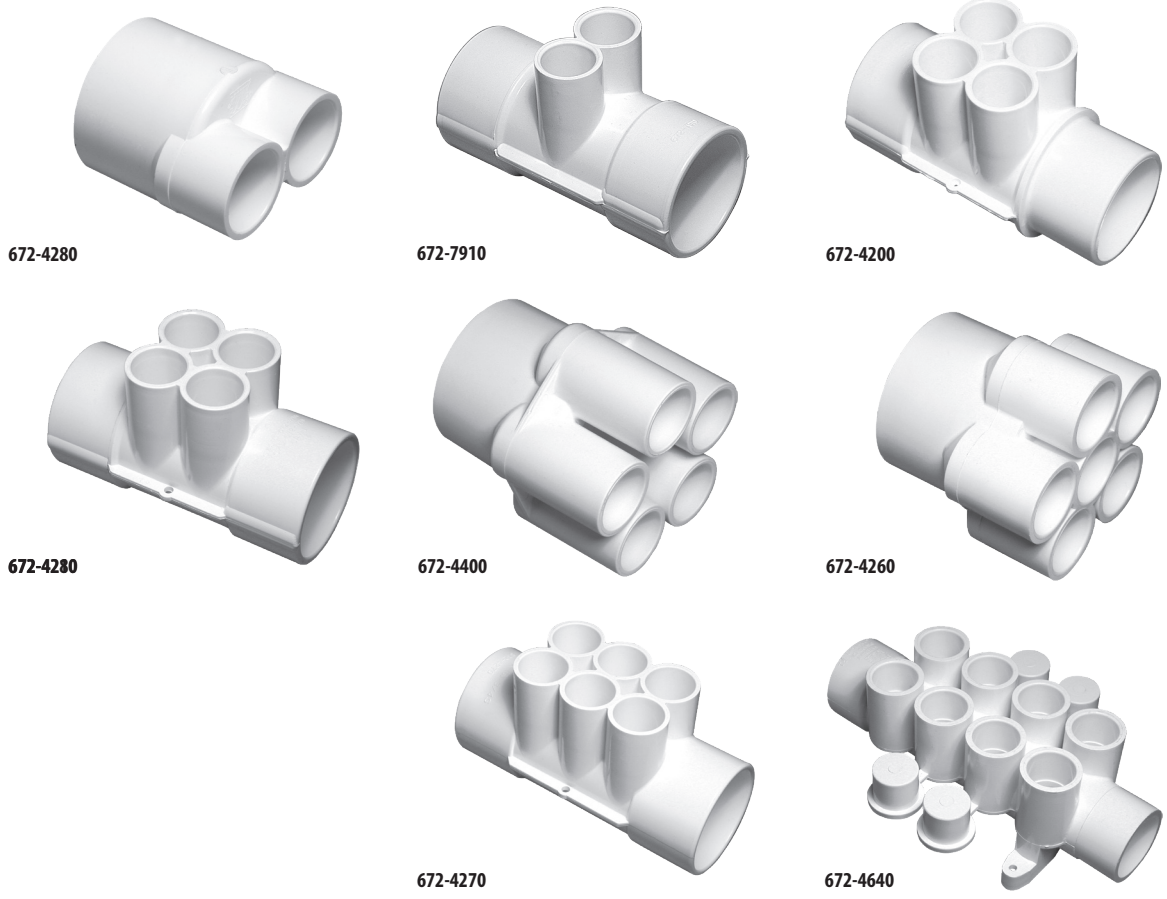
672-4110



672-4630

1/2" Manifolds

Part No.	Description	Case Quantity
672-7900	2" S x 2" S x (2) 1/2" S Ports	45
672-4250	2" Spigot x 2" S x (4) 1/2" S Ports	40
672-4570	1" S x (4) 1/2" S Ports	90
672-4580	1 1/2" S x (4) 1/2" S Ports	75
672-4430	2" S x 2" S x (4) 1/2" S Ports	40
672-4380	1" S x (5) 1/2" S Ports	60
672-4120	1 1/2" S x (6) 1/2" S Ports	45
672-4130	2" S x (6) 1/2" S Ports	90
672-4110	2" S x 2" S x (6) 1/2" S Ports	35
672-4630	1 1/2" Spigot x 1 1/2" S x (10) 1/2" S Ports with Plugs (4)	30



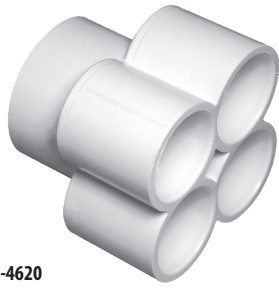
3/4" Manifolds

Part No.	Description	Case Quantity
672-4280	1 1/2" S x (2) 3/4" S Ports	180
672-7910	2" S x 2" S x (2) 3/4" S Ports	45
672-4190	1 1/2" Spigot x 1 1/2" S x (4) 3/4" S Ports	60
672-4200	2" S x 2" Spigot x (4) 3/4" S Ports	40
672-4670	1 1/2" S x (4) 3/4" S Ports	100
672-4180	1 1/2" S x 1 1/2" S x (4) 3/4" S Ports	60
672-4210	2" S x 2" S x (4) 3/4" S Ports	40
672-4400	2" S x (5) 3/4" S Ports	50
672-4260	2" S x (6) 3/4" S Ports	50
672-4270	2" S x 2" S x (6) 3/4" S Ports	30
672-4640	1 1/2" Spigot x 1 1/2" S x (8) 3/4" S Ports with Plugs (4)	20

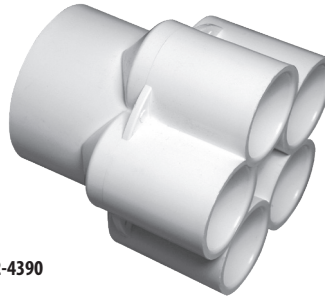
Manifolds



Spa Manifolds / 1" Manifolds and 2-4-6 Air Manifold Systems



672-4620



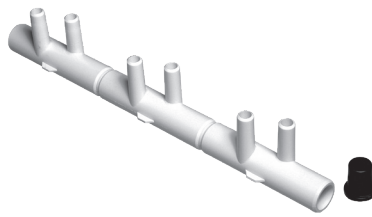
672-4390

1" Manifolds

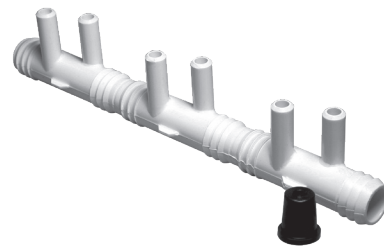
Part No.	Description	Case Quantity
672-4620	1 1/2" S x (4) 1" S Ports	100
672-4390	2" S x (5) 1" S Ports	45

FEATURES:

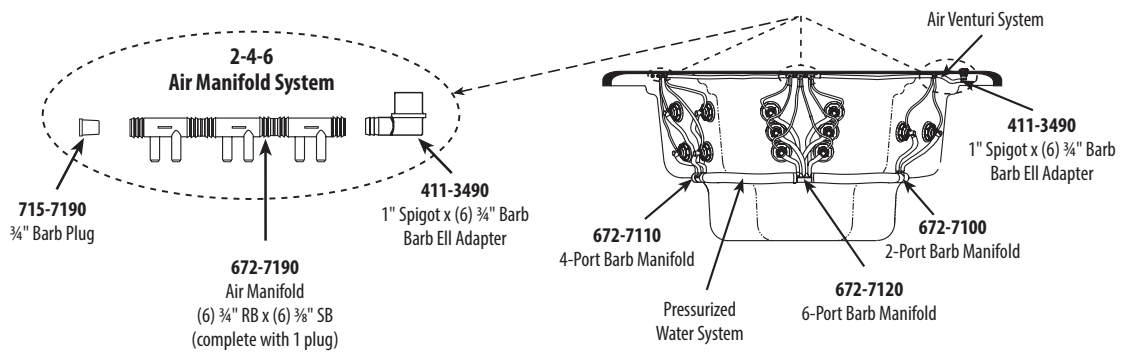
- Can be cut into multiple manifolds (2, 4, or 6 ports)
- Utilizes 3/4" and 3/8" clear vinyl tubing (less expensive than flex pipe)
- Allows for cleaner, easier plumbing
- Manifold comes complete with 1 plug



672-6970

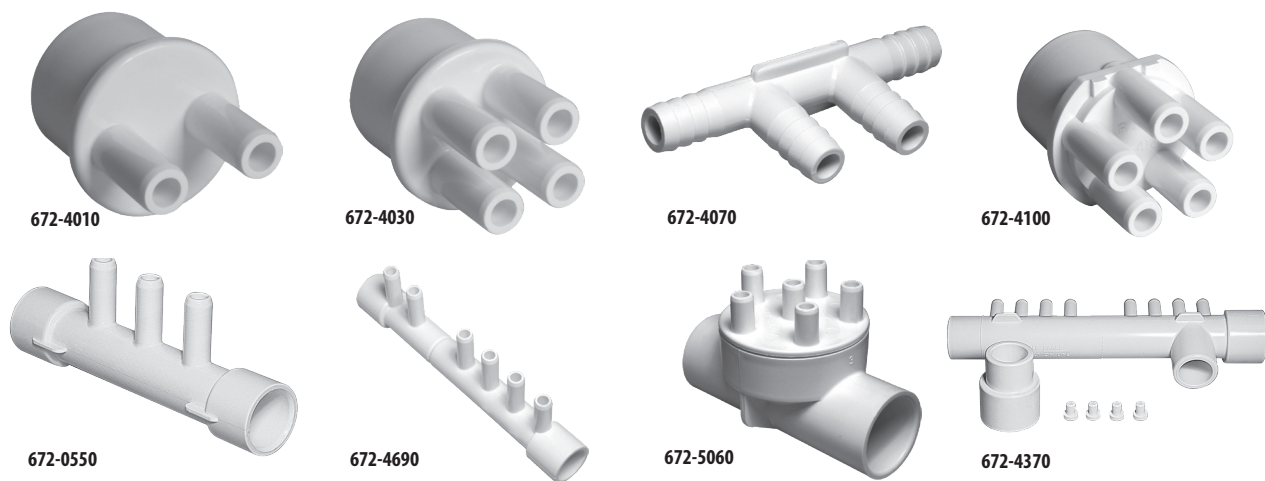


672-7190



2-4-6 Air Manifold Systems

Part No.	Description	Case Quantity
672-6970	2-4-6 Manifold - (6) 3/4" SB x (6) 3/8" SB Ports	150
672-7190	2-4-6 Manifold - (6) 3/4" RB x (6) 3/8" SB Ports	150



3/8" Barb Manifolds

Part No.	Description	Case Quantity
672-4010	1" Spigot x (2) 3/8" Barbs	250
672-4020	1" S x (2) 3/8" Barbs	200
672-4030	1" Spigot x (4) 3/8" Barbs	300
672-4040	1" S x (4) 3/8" Barbs	250
672-4070	(4) 3/8" RB	500
672-4610	1 1/2" Spigot Blind x (4) 3/8" SB	150
672-4100	1" Spigot x (5) 3/8" Barbs	160
672-0550	(2) 1/2" S x (3) 3/8" SB	150
672-4700	1" Spigot x 1" Spigot x (6) 3/8" Barbs with Plugs (3)	50
672-4690	1/2" S x 1/2" S x (6) 3/8" Barbs with Plugs (2)	150
672-5060	1" S x 1" S x (6) 3/8" Barbs Assembly	100
672-4370	1" S x 1" Spigot x 1" S x (8) 3/8" Barbs with Plugs (4)	50

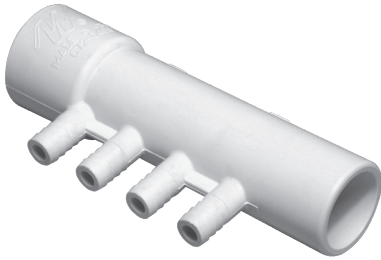


Pancake Manifolds

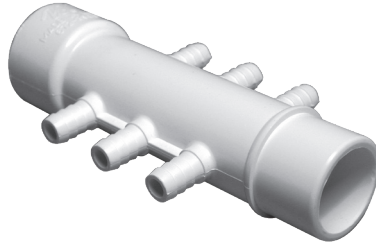
Part No.	Description	Case Quantity
672-5900	Air Manifold Assembly, 1" Spg Ell x (6) 3/8" SB	100
672-5910	Air Manifold Assembly, 1" Spg Ell x (8) 3/8" SB	100
672-5920	Air Manifold Assembly, 1" Spg Ell x (10) 3/8" SB	120
672-5930	Air Manifold Assembly, 1" Spg Ell x (12) 3/8" SB	35
672-5800	Air Manifold Assembly, 1" Spg Straight x (6) 3/8" SB	100
672-5810	Air Manifold Assembly, 1" Spg Straight x (8) 3/8" SB	180
672-5820	Air Manifold Assembly, 1" Spg Straight x (10) 3/8" SB	160
672-5830	Air Manifold Assembly, 1" Spg Straight x (12) 3/8" SB	160
672-5060	Air Manifold Assembly, 1" S x 1" S x (6) 3/8" SB	100
672-5070	Air Manifold Assembly, 1" S x 1" S x (8) 3/8" SB	100
672-5080	Air Manifold Assembly, 1" S x 1" S x (10) 3/8" SB	100
672-5960	Air Manifold Assembly, 1" S x 1" S x (12) 3/8" SB	25



Spa Manifolds / 3/8" Barb Manifolds



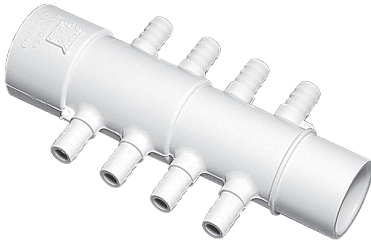
672-0400



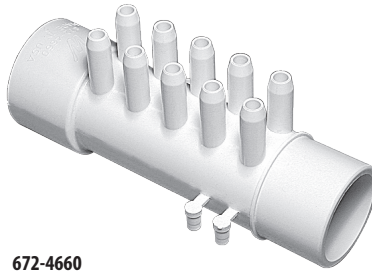
672-3900



425-4000



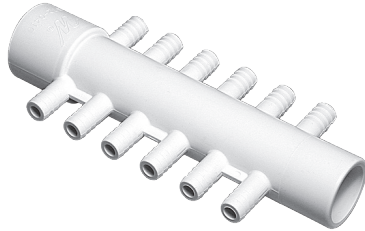
672-4340



672-4660



672-5080



672-0410



672-0420

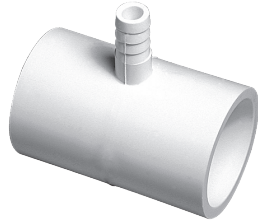
3/8" Barb Manifolds

Part No.	Description	Case Quantity
672-0400	1" S x 1" Spigot x (4) 3/8" RB Barbs	170
672-3900	1" S x 1" Spigot x (6) 3/8" RB Barbs	50
425-4000	1 1/2" Spigot x 1 1/2" S x (6) 3/8" RB Barbs	75
672-4340	1" S x 1" Spigot x (8) 3/8" RB Barbs	140
672-5070	1" S x 1" S x (8) 3/8" Barbs Assembly	100
672-4660	1 1/2" Spigot x 1 1/2" S x (10) 3/8" Barbs with Plugs (4)	60
672-5080	1" S x 1" S x (10) 3/8" Barbs Assembly	100
672-0410	1" S x 1" Spigot x (12) 3/8" RB Barbs	100
672-0420	1 1/2" S x 1 1/2" Spigot x (16) 3/8" SB Barbs	35
672-6410	1" S X 1" Spigot X (8) 3/8" SB Barbs	140
672-6420	1" S X 1" Spigot X (4) 3/8" SB Barbs	170
672-6430	1" S X 1" Spigot X (12) 3/8" SB Barbs	100

Improved!



425-4020



413-4350



419-1000



425-4040



425-0210



425-5010

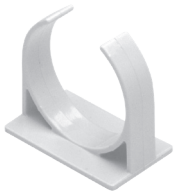


421-1030

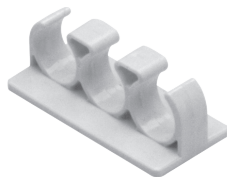


672-4350

413-1201



672-1430



672-1440



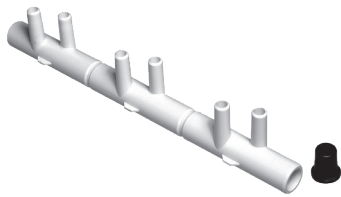
672-1450



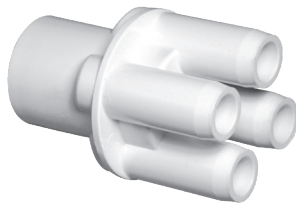
715-9760

3/8" Barb Adapters

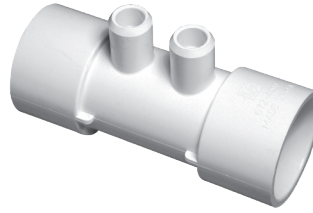
Part No.	Description	Case Quantity
425-4020	Reducer - 3/8" RB x 1/4" RB	3000
413-4350	Tee - 1" S x 1" S x 3/8" RB	100
419-1000	Coupler - 3/8" RB x 3/8" RB	500
425-4040	90° Ell - 1" S x 3/8" RB	150
425-0210	1/2" Spigot x 3/8" RB	500
425-5010	1" Spigot x 3/8" RB	300
672-4350	3/8" B x 1/4" MPT	500
413-1201	3/8" B x 1/4" N.P.S.M.	500
413-1900	Tee - 3/8" B x 3/8" B x 3/8" B	500
425-1080	3/4" Spigot x 3/8" SB	750
672-1440	3/8" Triple "C" Tubing Holder	300
672-1450	3/8" x 3/4" Stacked Tubing Clip	100
672-1430	1 1/2" Manifold "C" Holder	100
413-1940	3/8" SB Wye	500
715-1261	3/8" SB x 1/4" MPT Barb Adapter	100
421-1030	1/2" Socket x 3/8" SB Adapter	270
425-6400	90° Ell - 1" S x 3/8" SB	250
715-9760	Plug for 3/8" Barb (Flex Style)	



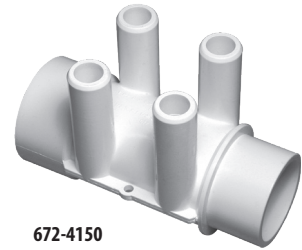
672-6970



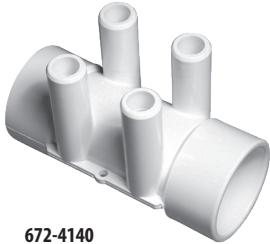
672-4410



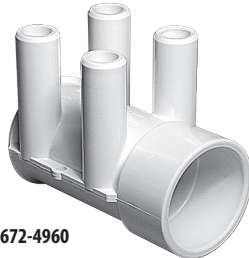
672-4490



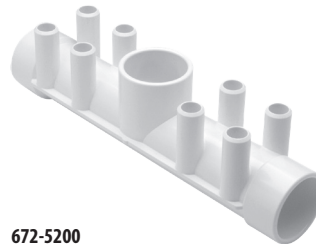
672-4150



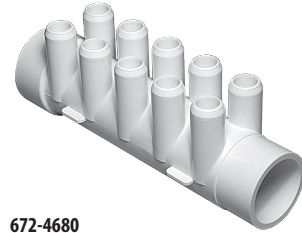
672-4140



672-4960



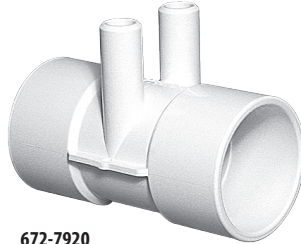
672-5200



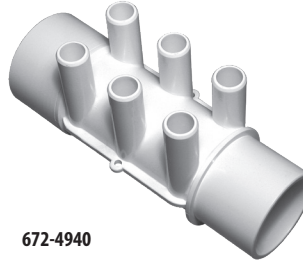
672-4680



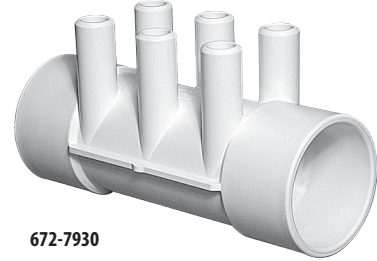
672-4910



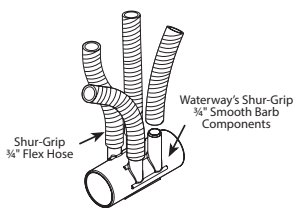
672-7920



672-4940



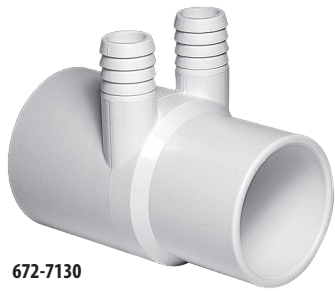
672-7930



The Shur-Grip Plumbing System was specifically developed for the OEM Spa Manufacturing Industry. Shur-Grip components improve the glue joint characteristics yet maintain the quality of the flex hose at an affordable price. Look for the Shur-Grip symbol on compatible jet bodies and other specialty fittings.

ShurGrip Manifolds

Part No.	Description	Case Quantity
672-6970	(6) 3/4" SB x (6) 3/8" SB with Plug	150
672-4410	1" S x (4) 3/4" SB - Cluster Cap	50
672-4770	1 1/2" S x (4) 3/4" SB - Cluster Cap	30
672-4490	1 1/2" S x 1 1/2" S x (2) 3/4" SB	80
672-4150	1 1/2" S x 1 1/2" Spigot x (4) 3/4" SB	60
672-4140	1 1/2" S x 1 1/2" S x (4) 3/4" SB	60
672-4960	1 1/2" S x Dead End x (4) 3/4" SB	75
672-5200	1 1/2" S x 1 1/2" S x 1 1/2" S x (8) 3/4" SB	20
672-5240	1 1/2" S x 1 1/2" Spg x 6 3/4" SB	50
672-5250	1 1/2" S x 6 3/4" SB Dead End	50
672-5260	1 1/2" S x 1 1/2" S x 6 3/4" SB	50
672-4680	1 1/2" Spigot x 1 1/2" S x (10) 3/4" SB	40
672-4900	2" Spigot x 2" Spigot x (2) 3/4" SB	60
672-4910	2" S x 2" Spigot x (2) 3/4" SB	60
672-7920	2" S x 2" S x (2) 3/4" SB	50
672-7360	2" S x Dead End x (2) 3/4" SB	90
672-4920	2" Spigot x 2" Spigot x (4) 3/4" SB	45
672-4160	2" S x 2" Spigot x (4) 3/4" SB	40
672-4170	2" S x 2" S x (4) 3/4" SB	40
672-7370	2" S x Dead End x (4) 3/4" SB	50
672-4930	2" Spigot x 2" Spigot x (6) 3/4" SB	30
672-4940	2" S x 2" Spigot x (6) 3/4" SB	30
672-7930	2" S x 2" S x (6) 3/4" SB	30
672-7380	2" S x Dead End x (6) 3/4" SB	35
425-1090	1.5" S x 2 3/4" SB End Cap	100



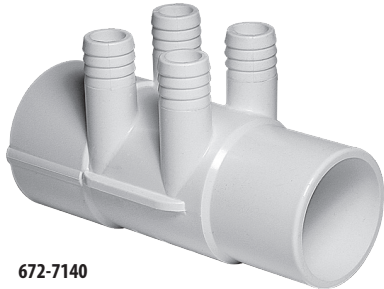
672-7130



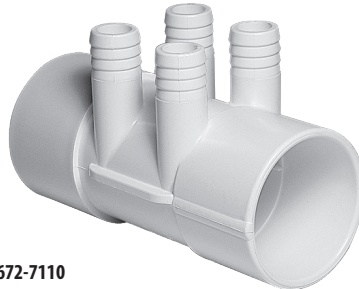
672-7100



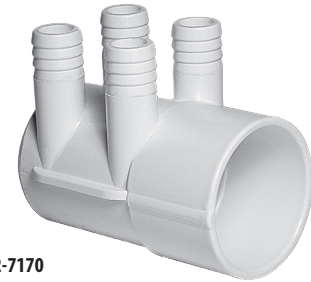
672-7160



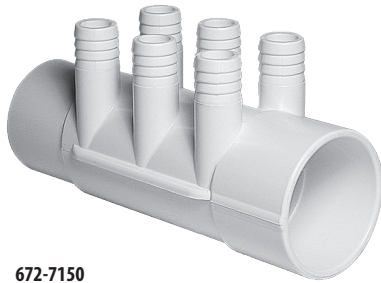
672-7140



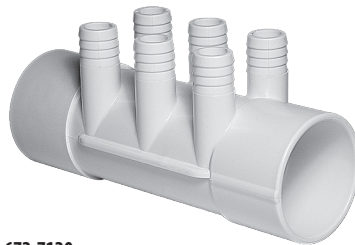
672-7110



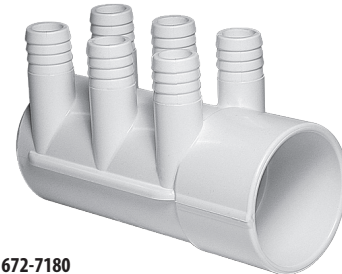
672-7170



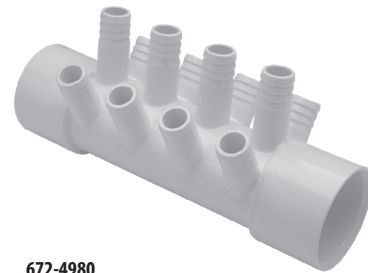
672-7150



672-7120



672-7180



672-4980

3/4" Ribbed Barb Manifolds

Part No.	Description	Case Quantity
672-7130	2" S x 2" Spigot x (2) 3/4" RB	50
672-7100	2" S x 2" S x (2) 3/4" RB	50
672-7160	2" S x Dead End x (2) 3/4" RB	90
672-7140	2" S x 2" Spigot x (4) 3/4" RB	40
672-7110	2" S x 2" S x (4) 3/4" RB	40
672-7170	2" S x Dead End x (4) 3/4" RB	50
672-7150	2" S x 2" Spigot x (6) 3/4" RB	30
672-7120	2" S x 2" S x (6) 3/4" RB	30
672-7180	2" S x Dead End x (6) 3/4" RB	35
672-4980	2" S x 2" S x (12) 3/4" RB	18



413-1960



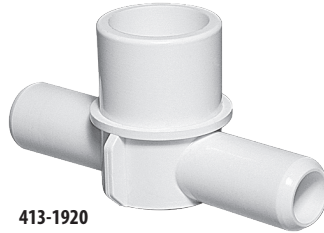
411-3490



425-1000



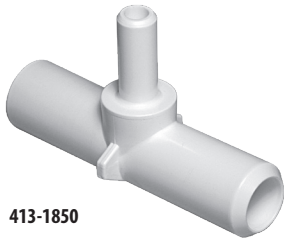
413-4360



413-1920



672-4310



413-1850



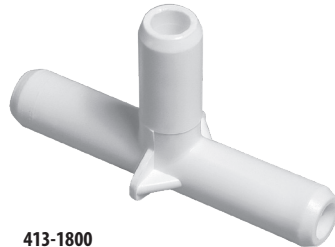
411-3700



411-3500



411-4060



413-1800



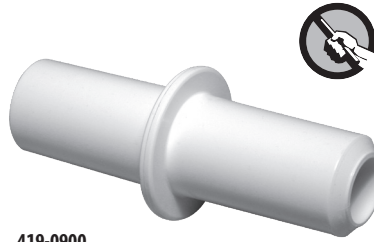
413-1860

3/4" Barb Adapters

Part No.	Description	Case Quantity
411-3700	90° Ell - 3/4" RB x 3/4" RB	150
413-1860	120° Wye - 3/4" RB	150
413-1960	120° Wye - 3/4" SB	250
413-1800	Tee - 3/4" SB x 3/4" SB x 3/4" SB	200
413-1850	Tee - 3/4" SB x 3/4" SB x 3/8" SB	250
425-1000	1/2" Spigot x 3/4" RB	300
425-1030	1/2" S x 3/4" Spigot x 3/4" RB	350
411-3500	90° Ell - 1/2" Spigot x 3/4" RB	150
411-0360	90° Ell - 3/4" Spigot x 1/2" S x 3/4" SB	200
411-0350	90° Ell - 3/4" Spigot x 1/2" S x 3/4" RB	500
411-4060	90° Ell - 3/4" Short Spigot x 3/4" RB	300
411-4160	90° Ell - 3/4" Spigot x 3/4" SB Adapter	350
411-3490	Ell - 1" Spigot x 3/4" RB	230
411-3480	Ell - 1" Spigot x 3/4" SB	230
413-1920	Tee - 1" Spigot x (2) 3/4" SB	180
672-4310	1" Spigot / 3/4" S x 3/4" RB	250
672-4320	1 1/4" Spigot / 1" S x 3/4" RB	200
413-4360	1 1/2" Spigot x 3/4" SB	200
413-4370	1 1/2" Spigot x 3/4" RB	50
413-4510	2" Spigot x 3/4" SB	150



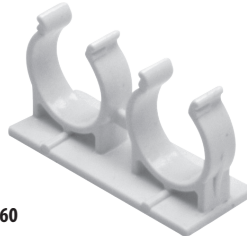
419-1920



419-0900



425-1030



672-1460



715-0340

3/4" Barb Adapters

Part No.	Description	Case Quantity
419-1920	3/4" SB x 1/2" Spigot	200
419-0900	Coupling - 3/4" SB x 3/4" SB	250
425-1030	1/2" S / 3/4" Spigot x 3/4" RB	350
672-1460	3/4" "C" Clip with Zip Tie Loops	200
715-0340	3/4" SmartPlumb Deep Inverted Plug	500



425-1010

1" Barb Adapters

Part No.	Description	Case Quantity
425-1010	1" Spigot / 3/4" S x 1" RB	125



417-6140

1 1/2" Barb Adapters

Part No.	Description	Case Quantity
417-6140	1 1/2" MPT x 1 1/2" Hose	240



400-4420



400-4360



400-5540



400-5580



400-6040

Thermowells

Part No.	Description	Case Quantity
400-4420	Mini Thermowell Assembly	100
400-4360	Thermosensor with Probe Protector	150
400-5540	90° Ell - 1 1/2" S x 1 1/2" S - with 2 Thermowells and Bushings	80
411-5520	Ell - 1 1/2" S x 1 1/2" S - with 2 Thermowells	80
400-5580	Ell - 1 1/2" S x 1 1/2" S - with Thermowell and Bushing	100
411-5540	90° Ell - 1 1/2" S x 1 1/2" S - with Thermowell	25
400-6040	90° Ell - 2" S x 2" Spigot x 3/8" Air Bleed - with Thermowell and 2 Bushing	60
411-6040	90° Ell - 2" S x 2" Spigot x Air Bleed - with Thermowell	60
805-0014	O-Ring for 90° Ell - 2" S x 2" Spigot x Air Bleed	100
811-8160	Bushing for Ells - 1 1/2" S x 1 1/2" S	100



421-1000



421-1050



421-4010



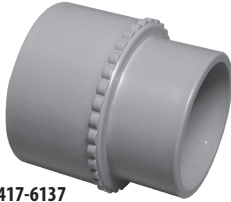
421-4070



421-4020



417-6127



417-6137



421-0010



421-0030

Reducers

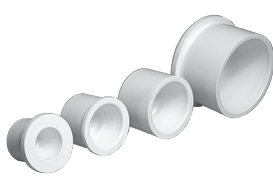
Part No.	Description	Case Quantity
421-0010	Reducer Bushing- 3/4" Spigot X 1/2" Spigot	
421-0030	Reducer Bushing - 1" Spigot X 3/4" Spigot	
421-1000	Reducer - 2" Spigot x 1 1/2" Spigot	50
421-1050	Reducer - 1" Spigot x 1/2" S	225
421-4010	Reducer - 1 1/4" MPT x 1/2" FPT	150
421-4030	Reducer - 1 1/2" Spigot x 1" Spigot	100
421-4070	Reducer - 1 1/2" Socket x 2" Spigot	100
421-4020	Bell Reducer - 1 1/2" x 1" S	75
421-5000	Bell Reducer - 2" S x 1 1/2" S	75
417-6127	Metric Reducer - 1" Spigot x 32mm S	75
417-6137	Metric Reducer - 1 1/2" Spigot x 50mm S	50

Threaded Nipple

Part No.	Description	Case Quantity
423-4000	1 1/2" Spigot x 1 1/2" MPT	25

2" Barb Adapter

Part No.	Description	Case Quantity
417-6197	2" Spigot x 63mm S	50



715-9870



715-9770



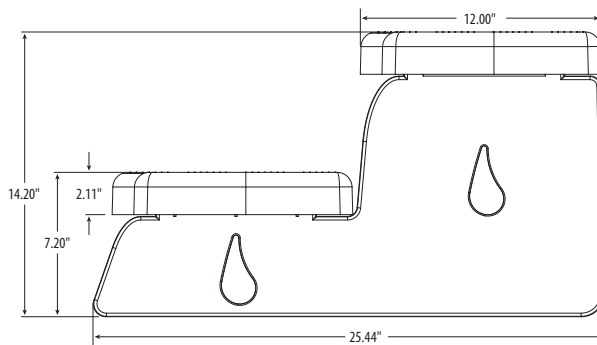
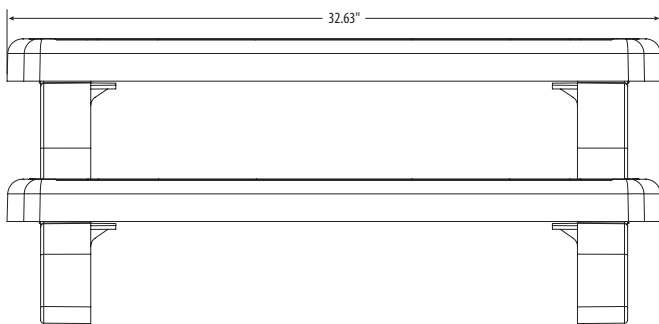
715-9850

Plugs

Part No.	Description	Case Quantity
715-0000	1/2" Spigot	200
715-9890	3/4" Spigot	600
715-2000	1" Spigot	200
715-4000	1 1/2" Spigot	100
715-9880	2" Spigot	100
715-9870	3/8" Barb	100
715-0040	3/4" SmartPlumb Barb (New Style)	1140
715-9860	3/4" Barb (Old Style)	1000
715-9770	Cap Style - 3/8" RB	1500
715-9850	3/8" Hose	1000

FEATURES:

- Easy, snap together parts for quick assembly
- Packaged for retail sale
- 33" non-slip treads
- Made of durable UV protected polypropylene
- 800 lbs. weight capacity
- Available in multiple colors



Spa Steps

Part No.	Description	Color	Pallet Qty
535-2209-BRK	33" Spa Step Assembly	Bark	32
535-2209-GPH	33" Spa Step Assembly	Graphite	32
535-2209-CHC	33" Spa Step Assembly	Charcoal	32
535-2209-CSG	33" Spa Step Assembly	Coastal Gray	32
535-2209-MOC	33" Spa Step Assembly	Mocha Coffee	32
535-2201	33" Spa Step Assembly	Black	32

FEATURES:

- Low profile design
- Hose bib pulls out for easy access
- Protective cover seals against all possible leak points
- Optional metric adapter
- Plumbs to 3/4" flex hose



600-9101 / 600-9167

Lo-Profile Spa Drain Fill Valve

Part No.	Description	Case Quantity
600-9101	Lo-Profile Drain Fill Valve Assembly	50
600-9167	Metric Hose Adapter with Gasket	200
600-9101	3/4" Lo-Profile Drain Fill Valve Assembly	50
600-9167	Lo-Profile Drain Fill Valve Metric Adapter with Gasket	200



640-2000



400-3031

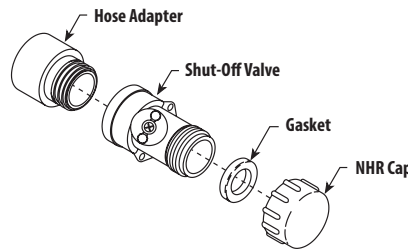


Spa Drain and Fill Niche for Garden Hose Connection

Part No.	Description	Case Quantity
640-2001	1" S - Spa Drain/Fill Valve Assembly - Black	100
400-3031	1/2" Hose On/Off Spa Drain Valve with Niche	75
400-3021	3/4" Hose On/Off Spa Drain Valve with Niche	75



400-2060



400-2100

On/Off Valves for Garden Hose

Part No.	Description	Case Quantity
400-2060	1/2" Hose On/Off Valve Assembly	125
400-2070	3/4" Hose On/Off Valve Assembly	125
400-2100	3/4" SB Hose On/Off Valve Assembly	125
519-0231	Drain Cap - 1/2" NHR	100
806-0100	Gasket - 3/4"	100
872-0004	Shut-Off Valve	50
413-4400	Adapter - 1/2" S x Male Garden Hose	250
413-4410	Adapter - 3/4" S x Male Garden Hose	200

Misc / Accessories



Clear Acrylic Hand Rails

Part No.	Description
616-1100	11" Clear Acrylic Hand Rail
616-1300	13" Clear Acrylic Hand Rail
616-1400	14" Clear Acrylic Hand Rail
616-1600	16" Clear Acrylic Hand Rail
616-1800	18" Clear Acrylic Hand Rail
616-2000	20" Clear Acrylic Hand Rail
611-4800	Rubber Grommet (<i>no angle</i>)
611-7000	Rubber Grommet

FEATURES:

- Provides easy access to cabinets
- Fits most types of cabinet doors and panels
- Easy installation

Specifications:

- Niche
1 1/2" Hole Saw Size
- Threaded Flush Mount Insert
23/64" Hole Saw Size
6MM Drive Size
- Material
ABS Black Niche and Handle
Stainless Steel 1/4 - 20 Screw
Die Cast Zinc Alloy Threaded Flush Mount Insert

Cabinet Latch

Part No.	Description	Case Quantity
675-3031	Cabinet Latch, Niche and Flush Mount Insert Assy	1000

FEATURES:

- Easily mounts onto most T&G skirt panels
- Louvered vent protects against weather and rodent intrusion
- Handle allows for easy removal of skirt panels
- Measures 3.5" x 6.25"

Spa Handle Vent

Part No.	Description	Color	Case Quantity
675-6511	Louvered Spa Vent Assembly	Black	100

NEW!

FEATURES:

- LED Corner Sconce Light
- Corner Spa Vent
- Fits most corners of spas
- Accepts most LED points of light
- Available in Black or Clear

SPECIFICATIONS:

- 3.5 Sq. In. of Vent Area
- Made of ASA Black or Clear
- Polyester Materials
- Fits Best with 3" Radius Corners

LED Spa Vent/Sconce Light

Part No.	Description	Color	Case Qty.
675-3401	LED Spa Vent/Sconce Light	Black	
675-3408	LED Spa Vent/Sconce Light	Clear	

**FEATURES:**

- Automatically adjusts to temperature change:
Closed for cold or freezing conditions;
Open for hot conditions
- Easy through-wall installation
- Louvered grill to protect against weather and rodent intrusion
- Hole Saw Size: 4"

675-6531



Adjustable Thermo Vent

Part No.	Description	Color	Case Quantity
675-6531	Adjustable Auto Vent	Black	30
675-6537	Adjustable Auto Vent	Gray	30

FEATURES:

- 4 3/4" overall diameter
- 4" diameter hole saw and vent area
- 0.100" diameter holes (148) for improved ventilation
- Available in assorted colors

4" Vent

Part No.	Description	Color	Case Quantity
672-0609-DSG	4" Round Vent	DSG	300



Misc / Accessories

Spa Cabinet Vents

Part No.	Description	Color	Case Quantity
675-6501	Oval Spa Vent Assembly; 2 5/16" X 8 1/2"	Black	150
675-6509-BRK	Oval Spa Vent Assembly; 2 5/16" X 8 1/2"	Bark	150
675-6509-CHC	Oval Spa Vent Assembly; 2 5/16" X 8 1/2"	Charcoal	150



