



PRODUCT CATALOG

2024

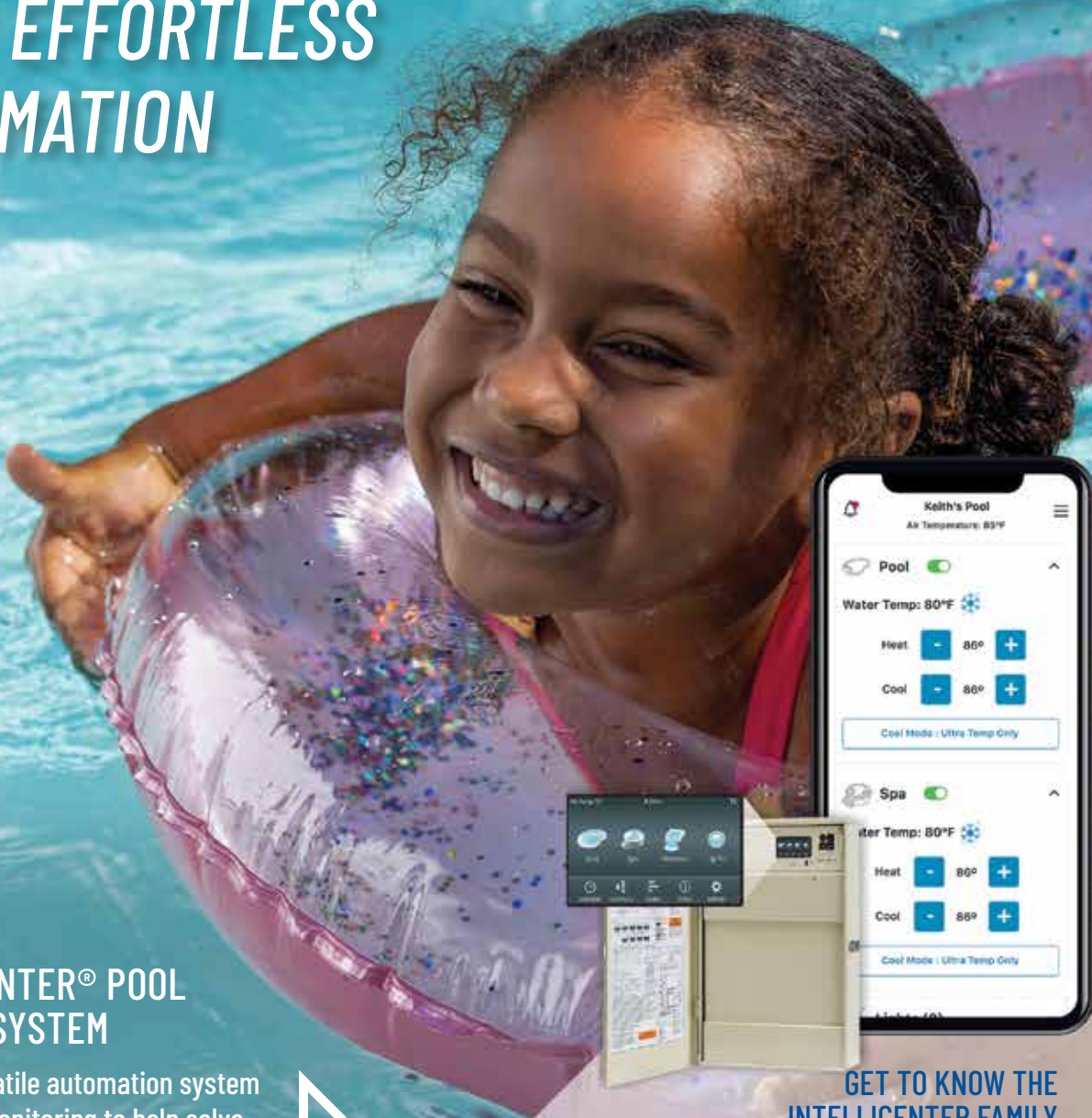
PENTAIR.COM



RULE THE POOL



WITH EFFORTLESS
AUTOMATION



INTELLICENTER® POOL CONTROL SYSTEM

Our most versatile automation system with remote monitoring to help solve your customers' headaches and simplify pool management.



GET TO KNOW THE
INTELLICENTER FAMILY
OF PRODUCTS

pentair.com/intellicenterHUB

All indicated Pentair trademarks and logos are property of Pentair. Third-party registered and unregistered trademarks and logos are the property of their respective owners. ©2023 Pentair. All Rights Reserved. Pentair.com



PENTAIR EARNS 2023 ENERGY STAR® PARTNER OF THE YEAR—SUSTAINED EXCELLENCE AWARD

Pentair was first named an ENERGY STAR Partner of the Year in 2013, and has been recognized in each consecutive year—longer than any other manufacturer in the pool industry. Pentair was the first manufacturer of pool equipment to receive ENERGY STAR certification for its pool pumps and offered 17 ENERGY STAR certified pool pump models in 2022.

As an industry leader in pool and spa pumps, Pentair is an ENERGY STAR Partner of the Year for leadership in protecting the environment through superior energy efficiency achievements.

Pentair remains committed to delivering smart, sustainable water solutions, including innovative pool pumps that have earned the U.S. Environmental Protection Agency's (EPA) ENERGY STAR classification.



WHOLE GOODS DIRECTORY

EVERYTHING FROM A SINGLE SOURCE!

KEY: ● PENTAIR ○ STA-RITE ▲ COMMERCIAL

Directory	2-5
Terms and Conditions	6

ABOVEGROUND SYSTEMS 7-16

Clean and Clear Filter Systems ●	8
PLM Series Filter Systems ○	9
PLD Series Filter Systems ○	10
EasyClean D.E. Series Filter Systems ●	11
Sand Dollar Filter Systems ●	12
Cristal-Flo II Filter Systems ○	13
Accessories and Part Number Scheme ●	14-15

AUTOMATIC POOL CLEANERS 17-26

Pentair Prowler 930W/920/910 ●	18-19
Pentair Rebel ●	20
Pentair Dorado ●	20
Kreepy Krauly Great White ●	21
Kreepy Krauly SandShark ●	21
Kreepy Krauly/Kreepy Krauly Kruiser ●	22
Pentair 'Lil Rebel ●	23
Kreepy Krauly 'Lil Shark ●	23
Kreepy Krauly E-Z Vac ●	24
Kreepy Krauly Platinum ●	24
Kreepy Krauly Legend/Legend II ●	25
Pentair Racer ●	26
Pentair Racer LS ●	26

AUTOMATION 27-46

IntelliCenter Control System ●	29-32
IntelliConnect Control & Monitoring Systems ●	33
ScreenLogic2 Interface ●	35-36
EasyTouch/ET PL4 & PSL4 Control Systems ●	37-40
SunTouch Control System ●	41
SolarTouch Solar Control System ●	42
Remote Control and Monitoring Software ●	43
IntelliValve Actuator ●	44
Valve Actuator/GFCI Circuit Breakers ●	45
Commercial Pool & Spa Control Systems ● ▲	46

FILTERS 47-96

Clean & Clear Filters ●	49-51
Dynamic Series Filters ●	52-53
System:3 SM Series Modular Media Filters ○	54-55
System:2 PLM Series Modular Media Filters ○	56-57
PosiClear RP Filters ○	58
FullFloXF Filters ●	59-60
FNS Plus Filters ●	61
EasyClean D.E. Filters ●	62
Quad D.E. Filters ●	63
System:2 PLD Series Modular D.E. Filters ○	64-65
System:2 PLDE Series Modular D.E. Filters ○	66-67
System:3 SD Series D.E. Filters ○	68-69
System:3 SMD Series Modular D.E. Filters ○	70-71
D.E. Separation Tank ● ○	72
ClearPro Technology ●	73
Sand Dollar Top Mount Filters ●	74
Tagelus Top Mount Filters ●	75
Triton II Side Mount Filters ●	76-77
Cristal-Flo II Top-Mount Filters ○	78
System:3 SS Series Sand Filters ○	79-80
Stark SS Series Filter Systems ● ▲	81-82
Stark S Series Filter Systems ● ▲	83-84
Stark 5S Series Filter Systems ● ▲	85-86
Stark Backwash Options/Additional Features ● ▲	87

FILTERS (CONT'D)

Stark AQ Series Filters/Stark V Series Filters ● ▲	88
THS Series Horizontal Sand Filter ● ▲	89-90
Triton HD Side Mount Filters ● ▲	91
Triton C and C-3 Filter ● ▲	92
SCH 40 & 80 for TR 100C, 140C, 100C-3 & 140C-3 ● ▲	93-94
Plumbing Kits and Accessories ●	95-96

HEATERS & HEAT PUMPS 97-116

UltraTemp ETi Hybrid Heater ●	98-99
ETi 400 High Efficiency Heater ●	100-101
ETi 250 High Efficiency Heater ●	102-103
MasterTemp Heater ●	104-105
MasterTemp 125 Heater ●	106-107
Max-E-Therm Heater ○	108-109
Max-E-Therm & MasterTemp Accessories ● ○	110
Commercial PowerMax ● ▲	111-112
Commercial MegaTherm ● ▲	113-115
UltraTemp Heat Pumps ●	116

IN-FLOOR CLEANING & CIRCULATION 117-170

Cleaning Heads—●	
G4V	118-119
Style 2	120
G4/G4V/G4vHP Internal Heads.....	121-122
Style 2 Internals.....	123-124
G2 Retro Internals w/ Variable Flow Orifices	125
Style 1 Internals.....	126
Cleaning Head Accessories & Tools	127
Water Actuator Valves—●	
Wave Water Actuator Valve	128
Top Feed Actuator Valve	129
Low Profile Actuator Valves Replacement Parts	130-131
Top Feed Actuator Valves Replacement Parts	132-133
FlowVis In-Line Flow Meter	134
Drains—●	
AVSC Heavy Debris Removal Drain	135-136
PDR2 Powerful Debris Removal Drain	137
Round Debris Removal Drain Aquastar.....	138
AVSC Heavy Debris Removal Drain	
Replacement Parts & Accessories.....	139-140
PDR2 Powerful Debris Removal Drain	
Replacement Parts & Accessories.....	141
Round Debris Removal Drain Aquastar	
Replacement Parts & Accessories.....	141
Debris Removal—●	
LeafVac Debris Containment Removal.....	142
Debris Removal & Containment	
Replacement Parts	143
MultiCyclone Debris Removal	144
Skimmers—●	
QuikSkim Venturi Powered	145-146
QuikSkim Ultra Venturi Powered	147
QuikSkim Replacement Parts.....	148
QuikSkim Ultra Replacement Parts	149
Skimmer Accessories & Tools	149
Sanitation—●	
QuikPure3 Ozone System.....	150
QuikPure3 Ozone System Parts & Accessories.....	151
Quik DekClor Poolside Chlorine Feeder	152
DekClor Poolside Chlorine Feeder	
Parts & Accessories	153
Water Features—●	
SplashDown	154
SplashDown Parts & Accessories	155
Bubble Jet/Parts & Accessories	156
Aqua Arch/Parts & Accessories	157
Trio Deck Jet Variable/Parts & Accessories	158
Living Waters/Accessories & Tools.....	159
Whispa Spa Noise Dampener.....	160

WHOLE GOODS DIRECTORY

IN-FLOOR CLEANING & CIRCULATION (CONT'D)

- White Goods—
 - QuikWater Leveler 161
 - QuikBasin Water Lever 162
 - Water Leveler with 10" Deck Ring & Lid..... 162
 - Water Leveler Replacement Parts 163
 - Infusion Wall Inlets 164
- PVC Fittings & Misc Products—
 - PVC Fittings & Misc Products 165
- Retro Internals—
 - Pentair-A&A Replacement Internal Components for Retro Fit Internals 166-167
 - Pentair-A&A Replacement Internal Components for Retro Internals 168
- Packaged Systems—
 - QuikCirc Circulation System 169
- International and Metric Products • 170

LIGHTING 171-186

- IntelliBrite Architectural Series
- Pool & Spa Lighting • 172-173
- MicroBrite LED Lights • 174-175
- GloBrite LED Lights • 176-177
- Color Sync Controller • 178
- Amerlite Incandescent Lights • 179-180
- Fountain Fixtures • 181
- Pentair Large & Small Stainless Steel Niches • 182-183
- Plastic Niches • 184
- Accessories & Junction Boxes • 185

MAINTENANCE & SAFETY EQUIPMENT 187-218

- Brushes & Scrubbers • 189
- Floats, Float Rope, Safety Hook • 190
- Floating Chemical Dispensers • 191
- Hand Skimmers & Leaf Rakes • 192
- Leaf Traps/Leaf Eaters • 193
- Replacement Skimmer Baskets • 194
- Maintenance Kits • 195
- Poles and Pole Accessories • 196-197
- Pool & Spa Signs • 198-200
- Test Kits and Test Reagents • 201-202
- Water Hardness/Specialty Test Kits • 203
- Rapid Test Strips and Digital Salt Tester • 204
- Thermometers • 205
- Vinyl Liner Pool Vacuums/Flexible Vacuums • 206
- ProVac • 207
- Mini Vac/Vac Mate • 208
- Miscellaneous Accessories • 209
- ADA-Compliant Lifts—
 - AquaTRAM Pool Access Lifts • 210-215
 - Paragon Deck Equipment • 216-217

PUMPS 219-280

- IntelliFlo3 Pump • 220-221
- IntelliFlo VS+SVRS Pump • 222-223
- WhisperFloXF High Performance Pumps • 224-225
- WhisperFlo VST Pump • 226-227
- WhisperFlo High Performance Pumps • 228-229
- SuperFlo VST Pump • 230-231
- SuperFlo Pumps • 232-233
- IntelliPro3 Pump • 234-235
- IntelliPro VS+SVRS Pump • 236-237
- Max-E-ProXF Pumps • 238-239
- Max-E-Pro Pumps • 240-243
- SuperMax VS Pumps • 244-245
- SuperMax Pumps • 246-247
- OptiFlo Pumps (Pentair) • 248-249
- OptiFlo Pumps (Sta-Rite) • 250-251
- WhisperFloXF VS 5 HP Pump • 252-253
- Max-E-ProXF VS 5 HP Pump • 254-255

PUMPS (CONT'D)

- Commercial Acu-Drive XS • 256-257
- EQ Series Commercial Plastic Pump • 258-261
- C Series Commercial Bronze Pumps • 262-265
- CSP/CCSP Series Commercial Pump • 266-267
- 5CSP/5CCSP Series Commercial Pump • 268-269
- D-Series Commercial Pool Pump • 270-271
- Aurora 3800 Series & 410 Series Pumps • 272
- Berkeley B-Series Commercial • 273
- HydroBoost Booster Pump • 274
- Booster Pump • 275
- PCD-1000 Submersible Pump • 276
- Parts-Paks & Accessories • 277
- Hair and Lint Strainers • 278
- PS Series In-Line Strainer • 279
- Conversion Reference Charts 280

SANITIZERS† AND WATER QUALITY 281-302

- IntelliChlor Salt Chlorinator • 282
- iChlor Salt Chlorine Generator • 283
- Commercial IntelliChlor Salt Chlorinator • 284
- ChemCheck Water Quality Monitoring System • 285
- IntelliChem Chemical Controller • 286
- Commercial IntelliChem • 287
- IntelliH Chemical Controller • 288
- QuikPure3 Ozone System 290
- QuikPure3 Ozone System Parts & Accessories 291
- BioShield UV System • 292
- BioShield Pro UV System • 293
- Commercial BioShield UV Systems • 294-297
- Quik DekClor Poolside Chlorine Feeder 298
- DekClor Poolside Chlorine Feeder Parts & Accessories 299
- Automatic Chlorine/Bromine Feeders • 300
- Automatic Feeder Accessories • 301
- Chlorine/Bromine Sizing Charts • 302

VALVES 303-310

- Diverter and Check Valves • 304
- FullFloXF Diverter and Check Valves • 305
- Pre-Plumbed Valves • 306
- HiFlow Valve • 307
- TA (Tagelus) Filter Valves • 308
- Slide Valves • 309
- FlowVis In-Line Flow Meter • 310

WATER FEATURES 311-322

- MagicFlame Fire and Water Bowl • 312-313
- MagicStream Laminar • 314
- Deck Jet & MagicStream Deck Jet II • 315
- ColorVision Bubbler • 316-317
- MagicFalls Water Effects • 318-322

WHITE GOODS 323-344

- Admiral S15 & S20 Skimmers • 324-325
- Bermuda Skimmers • 326-327
- U-3 Skimmers • 328-329
- QuikSkim Venturi Powered • 330-331
- Skimmer Lids • 332
- Gutter Drains • 333
- StarGuard Main Drains • 334-335
- AVSC Heavy Debris Removal Drain • 336-337
- Pool Specialty Fittings • 338-339
- Return Fittings • 340
- Wall Fittings - Inlets • 341
- Automatic Water Fillers • 342
- Inline Thermometers/Flowmeters • 343-344

†“Sanitizer” is an industry term of art and is not intended to imply any antimicrobial capabilities.

REPLACEMENT PARTS DIRECTORY

PENTAIR GENUINE REPLACEMENT PARTS 345-348

Reference Guide	346
Special Value Parts Kits	
Pentair Genuine Replacement Parts	347-348

ABOVEGROUND SYSTEMS 349-356

Clean & Clear Systems	351
PLM Filter Systems	352
EasyClean Filter Systems	353
PLD Filter Systems	354
Sand Dollar Filter Systems	355
Cristal-Flo II Filter Systems	356

AUTOMATIC POOL CLEANER PARTS 357-386

Pentair Prowler 930, 920, 917, 910	358-361
Pentair Warrior Sl, SE, SL	358-361
Pentair Racer	362-363
Pentair Racer LS	364-365
Kreepy Krauly Platinum	366-367
Kreepy Krauly Legend.....	368-369
Kreepy Krauly Legend II	370-371
Pentair Replacement Parts for Polaris®	372-373
Pentair Rebel	374-375
Kreepy Krauly Warrior	376-377
Pentair Dorado	378
Kreepy Krauly Great White	379
Kreepy Krauly SandShark	380
Kreepy Krauly	381
Kreepy Krauly Cruiser	382
Pentair 'Lil Rebel	383
Kreepy Krauly E-Z Vac	384
Kreepy Krauly 'Lil Shark	385

AUTOMATION PARTS 387-394

IntelliCenter	388
IntelliTouch	389
EasyTouch	390
SunTouch/SolarTouch	391
Compool	391-393
SpaCommand	393

FILTER PARTS 395-432

Clean & Clear Filters	396-398
Dynamic Series Filters	399-402
System:3 SM Series Modular Media Filters	403
System:2 PLM Series Modular Media Filters	404
Posi-Clear RP Series Cartridge Filters	405
FullFloXF Filters	406-409
FNS Plus Filters	410
EasyClean D.E. Series	411
Quad D.E. Filters	412
SMBW 4000 Series Filters	413
System:2 PLD Series Modular DE Filters	414
System:2 PLDE Series Modular DE Filters	415
System:3 SD Series DE Filters	416-417
System:3 SMD Series Modular DE Filters	418
Sand Dollar Filters	419-420
Tagelus Filters	421-422
Triton II/Triton HD Filters	423-424
Cristal-Flo II Filters	425
System:3 SS Series Sand Filters	426
TR100C & TR140C Filters ▲.....	427
Triton C-3 Filters ▲.....	428
SCH 40 & 80 for TR100C & TR140C ▲.....	429
THS Series Horizontal Sand Filter ▲.....	430
Separation Tank	431
Sight Glass/Unions	431-432

HEATERS & HEAT PUMP PARTS 433-470

Heater Master Kits	435
ETi 400 High Efficiency Heater	436-440
ETi 250 High Efficiency Heater	441-446
MasterTemp Heater	447-451
MasterTemp 125 Heater	452-456
Max-E-Therm Heater	457-460
UltraTemp ETi Hybrid Heater	461-464
UltraTemp Heat Pump	465-466
ThermalFlo Heat Pump	467-470

LIGHTING PARTS 471-486

IntelliBrite Architectural Series Lights	472-475
IntelliBrite 5g Color LED Lights	476
IntelliBrite 5g White LED Lights	477
GloBrite LED Lights	478
AquaLuminator/Quasar	479
AmerBrite LED Lights	480
AquaLumin III Lights	480
SpaBrite/AquaLight	481
Fountain Fixtures	482
Junction Boxes	482
Pentair Large Stainless Steel Niches	483
Pentair Small Stainless Steel Niches	484
QuickNiche	485
Plastic Concrete Niches	486

MAINTENANCE & SAFETY EQUIPMENT PARTS 487-494

Leaf Traps - Models 179/179C, 180 & 186	488
Clear View Vacuum - Model 196/MiniVac -Model 204	489
ProVac - Models 214R, 222R, 214, 222, 229	490
Super ProVac - Model 241	491
Swivel Wheel Flexible Vacuums - Models 250, 252	491
Vacuum Head Parts	492
Vac-Mate	493

PUMP PARTS 495-556

IntelliFlo/IntelliPro Pump Drive History.....	496
IntelliFlo3 Pump	497
IntelliFloXF VSF Pump	498
IntelliFloXF VS Pump (After 8/15).....	498
IntelliFloXF VS Pump -(Before 8/15).....	499
IntelliFlo VF Pump	500
IntelliFlo VSF Pump	501
IntelliFlo 2 VST Pump	501
IntelliFlo VS Pump (After 2018).....	501
IntelliFlo VS & VS+SVRS Pump (After 6/16)	502
IntelliFlo VS Pump (Before 2019).....	503
IntelliFlo VS+SVRS Pump (Before 6/16)	503
IntelliFlo i1 & i2 Pump (After 4/16)	504
IntelliFlo i1 Pump (Before 4/16)	505-506
WhisperFloXF Pump	507-508
WhisperFlo VST Pump	509
WhisperFlo Pump	510-511
Challenger High Flow Pump	512-513
Challenger High Pressure Pump	514-515
SuperFlo VS/VST Pump (After 10/20)	516-517
SuperMax VS Pump (After 10/20).....	516-517
SuperFlo VS/VST Pump (Before 11/20)	518-519
SuperMax VS Pump (Before 11/20)	518-519
SuperFlo Pump	520
SuperFlo DOE Pump	521
IntelliPro3 Pump	522
IntelliProXF VSF Pump	523
IntelliProXF VS Pump-(After 8/15)	523
IntelliProXF VS Pump -(Before 8/15)	524
IntelliPro VSF Pump	525
IntelliPro 2 VST Pump	525
IntelliPro VS Pump (After 2018).....	525

REPLACEMENT PARTS DIRECTORY

PUMP PARTS (CONT'D)

IntelliPro VS Pump (Before 2019)	526
IntelliPro VS+SVRS Pump (After 6/16)	527
IntelliPro VS+SVRS Pump (Before 6/16)	528
Max-E-Pro XF Series Pump	529-530
Max-E-Pro Series Pump	532-533
Max-E-Pro Series DOE Pump	534
SuperMax DOE Pump	535
SuperMax Pump	536-537
Dyna-Pro/Dyna-Pro E	538
OptiFlo Pumps (Pentair & Sta-Rite)	539
Dynamo Pumps (Pentair & Sta-Rite)	540
WhisperFloXF VS 5 HP Pump ▲	541
Max-E-ProXF VS 5 HP Pump ▲	541
EQ Series Commercial Plastic Pump ▲	542-543
C Series Pump ▲	544-545
C/CC Series Centrifugal Pump ▲	546-547
CSPH/CCSPH Series Pump ▲	548
D Series Pump ▲	549
Cast Iron/Bronze Suction Trap ▲	550-551
Booster Pumps	552-554
WaterFall Specialty Pump	555
Plastic Suction Trap	556

SANITIZER‡ AND WATER QUALITY PARTS 557-570

ChemCheck	558
IntelliChem	559-560
Commercial IntelliChem ▲	561
IntelliPH	562
IntelliSync	563
BioShield UV System	564
BioShield Pro UV System	565
Automatic Feeders	566-569
Extensions/Dispensers/Flow Indicators	570

VALVE PARTS

571-588

2- and 3-Way Diverter and Check Valves	572-573
2 in. Top Mount Valves	574
Six-way 1-1/2 in. HiFlow Valves	575
2 in. HiFlow Valves	576
Multiport Valves	577-583
2 in. FullFloXF Backwash Valve	580
FullFlow Valves/Push Pull Valve	584
Slide and Plastic Valves	585-586
Bronze Valves	587

WATER FEATURES PARTS

589-594

Deck Jet & MagicStream Deck Jet II	590
ColorCascade LED Light Bubbler	590
ColorVision LED Light Bubbler	591
MagicFlame Fire and Water Bowl	592
MagicStream Laminars	593
WaterFall	593
MagicBowl Water Effects	594

WHITE GOOD PARTS

595-606

Admiral Skimmers	596
Bermuda Skimmers	597
U-3 Skimmers	598
Skimmers for Aboveground Pools	599
HydroSkim Skimmers	600
SkimClean Skimmers	601
Skimmer Lid with Thermometer	601
StarGuard Main Drains	602
Adjustable Floor Inlet Fitting	603
Pool Inlets/Wall Fittings	603
Automatic Water Fillers	604
Flowmeters - Made For Liquid Applications	605

ENGINEERING DATA

607-618

WARRANTY INFORMATION

619-620

PART NUMBER INDEX

621-640

‡“Sanitizer” is an industry term of art and is not intended to imply any antimicrobial capabilities.

TRADEGRADE

Our TradeGrade Policy was established to provide an exceptional product ownership experience to pool owners by manufacturing equipment that performs to the high standards, protecting the integrity of the Pentair brand and to maintain a sustainable business model for you, our trade partners. For you, our TradeGrade policy ensures that you are getting the programs, policies and tools required to safeguard this positive pool owner experience and help you grow your business.

Visit www.pentair.com/tradegrade to learn more.



INFORMATION

1620 Hawkins Avenue, Sanford, NC 27330 • (919) 566-8000
 10951 W. Los Angeles Avenue, Moorpark, CA 93021 • (805) 553-5000
 1502 E. Buckeye Road, Suite 102, Phoenix, AZ 85034 • (800) 851-8492

TERMS AND CONDITIONS

Ordering: To ensure prompt and proper shipment, please order by product number and description. Orders must be placed via fax (877) 606-5457, email: ordereast@pentair.com or EDI. No telephone orders will be accepted. Products and prices are subject to change without notice.

In-Floor Cleaning & Circulation Ordering: To ensure prompt and proper shipment, please order by product number and description. Orders must be placed via fax (877) 606-5457 or email infloor.sales@pentair.com. Products and prices are subject to change without notice.

Terms: All sales are cash with order until credit is established. Merchandise will be invoiced at the prices in effect at the time of shipment with customer standard payment terms.

Returns: All returns are subject to our written approval and must be accompanied by "Return Goods Authorization" form or number issued by us prior to returning the material. Unauthorized returns will not be accepted. Freight must be prepaid. (On International Returns Freight must be prepaid (to the door) by the person or entity returning the goods. Customs Duties and Taxes are covered by Pentair and cleared by our appointed Customs Broker, Expeditors International). Do not request authorization to return material for credit which has been in your inventory over sixty (60) days and which is not in original resalable condition. Material authorized to be returned for credit is subject to a minimum 15% handling charge.

Shipments: Any order over \$40,000 (\$3,000 parts only order, excluding motors) shipped at one time to one location in the continental United States will be shipped freight prepaid.

Shipments (Cont'd):

In-Floor Cleaning & Circulation Shipments: All orders are FOB Phoenix, Arizona and are subject to product availability. In-Floor shipments of \$5000 qualify for prepaid freight.

All shipments are Ex Works from the Pentair Shipping Site (EXW for domestic orders, FCA for international), and are subject to product availability.

The following product lines DO NOT qualify for prepaid freight under this \$40,000 prepaid freight order policy. (These items must be purchased under a separate purchase order.)

- Stark™, THS Series® Filters, Manifolds and Controllers
- Commercial Heaters 500,000 BTU and above
- Aurora® and Berkeley® Pumps, PS Series™ In-Line Strainers
- Paragon Deck Equipment
- AcuDrive™ XS Variable Frequency Drives
- Acu-Trol® Blue Labeled Commercial Chemical Controllers
- AquaTRAM® - Access Lifts
- BioShield® UV

Claims: All claims must be made within fifteen (15) days after receipt of merchandise. See "Lost or Damaged Goods" instructions below.

LOST OR DAMAGED GOODS

IMPORTANT: Our responsibility for any shipment ceases when the carrier signs the Bill of Lading. Thoroughly inspect each shipment immediately upon arrival.

If cartons, packages, or crates are received in short or damaged condition, it is important that you notify the driver and insist on a notation of the loss or damage across the face of the delivery receipt; otherwise, no claim can be enforced against the carrier.

If concealed loss or damage is discovered, you must notify the carrier at once and request an inspection. It is also important that you do not discard the shipping carton or container. A concealed damage report must be made within five (5) days of delivery of the shipment. If this is not done, the carrier will not entertain any claim for the loss. The carrier agent will make an inspection and usually will grant a concealed damage notation. If you give the carrier a clear receipt for the goods that have been damaged in transit, you do so at your own risk and expense.

We are willing to assist you in every possible manner to collect claims for loss or damage, but our willingness does not make us responsible for collection of claims or replacement of material.

FOR INFORMATION OR ASSISTANCE CONTACT:

Pentair Customer Service Department
 (800) 831-7133 • fax (877) 606-5457 – U.S.A.

Sanford (919) 566-8000
 (919) 566-8916 – International Department Fax

Moorpark (805) 553-5000
 (805) 530-0177 – International Department Fax

In-Floor Cleaning & Circulation
 Email: infloor.sales@pentair.com

DISCLAIMER

All content in this publication is based on information available at the time of printing. Pentair Water Pool and Spa, Inc. reserves the right to make changes at any time, without prior notice, to product specifications, part numbers, pricing, warranty terms, and to discontinue product or product components.

All indicated Pentair trademarks and logos are property of Pentair. Third party registered and unregistered trademarks and logos are the property of their respective owners.

©2024 Pentair. All rights reserved. Pentair.com

02/2024



PENTAIR
POOL

ABOVEGROUND SYSTEMS



CLEAN AND CLEAR® FILTER SYSTEMS

ABOVEGROUND CARTRIDGE POOL SYSTEMS



Clean & Clear Filter System³

The Clean & Clear Filter System pairs the OptiFlo® Pump with the Clean & Clear Cartridge Filter, a quality filtration unit using a thermoplastic chemical-resistant tank. All models are equipped with easy spin-on unions for plumbing hookups.

CALIFORNIA PROPOSITION 65 WARNING
 ⚠️ **WARNING:** Cancer and Reproductive Harm.
 ⚠️ **AVERTISSEMENT:** Peut Causer le Cancer et des Dommages au Système Reproducteur.
 ⚠️ **ADVERTENCIA:** Cáncer y Daño Reproductivo.
 www.p65warnings.ca.gov. PN202114

Featured Highlights

- Unionized pump and filter connections
- Integrated continuous High Flow™ Internal Air Relief¹
- Lock ring with spring-loaded safety latches
- Coreless media for easy cleaning
- High Flow manual air relief valve
- 1-inch drain and wash out
- Single piece base and body design

Ordering Information

Product	Pump THP	Pump Cord	Hose Kit (Ft.)	Effective Filtration Area (Sq. Ft.)	Flow ² Rate (GPM)	Turnover Capacity (In Gallons) ²			Tank Diameter (In.)	Tank Height (In.)
						8 Hour	10 Hour	12 Hour		
CLEAN AND CLEAR SYSTEM										
PNCC0050OE1162	1.0	Standard plug 3 ft cord	6 ft	50	50	24,000	30,000	36,000	15-1/2	18
PNCC0075OE1162	1.0	Standard plug 3 ft cord	6 ft	75	75	36,000	45,000	54,000	15-1/2	25-1/2
PNCC0075OE1262	1.0	Twistlock plug 3 ft cord	6 ft	75	75	36,000	45,000	54,000	15-1/2	25-1/2
PNCC0100OE1162	1.0	Standard plug 3 ft cord	6 ft	100	100	48,000	60,000	72,000	15-1/2	33
PNCC0100OE1260	1.0	Twistlock plug 3 ft cord	6 ft	100	100	48,000	60,000	72,000	15-1/2	33
PNCC0125OE1160	1.0	Standard plug 3 ft cord	6 ft	125	125	60,000	75,000	90,000	15-1/2	33
PNCC0150OE1160	1.0	Standard plug 3 ft cord	6 ft	150	150	72,000	90,000	108,000	15-1/2	40-1/2
PNCC0150OE1260	1.0	Twistlock plug 3 ft cord	6 ft	150	150	72,000	90,000	108,000	15-1/2	40-1/2
PNCC0175OE1160	1.0	Standard plug 3 ft cord	6 ft	175	150	72,000	90,000	108,000	15-1/2	40-1/2
PNCC0200OE1160	1.0	Standard plug 3 ft cord	6 ft	200	150	72,000	90,000	108,000	15-1/2	40-1/2
PNCC0200OE1260	1.0	Twistlock plug 3 ft cord	6 ft	200	150	72,000	90,000	108,000	15-1/2	40-1/2
ACCESSORIES										

PNBKCCWROXXXXX Base Kit with pump to filter connection for Clean & Clear and Optiflo Pump

Dimensions and Performance



Clean & Clear Filter



OptiFlo Pump

¹ Integrated continuous High Flow internal air relief is operational only when there is unobstructed flow in the circulating system.

² Flow Rate and Turnover Capacity based on Filter.

³ WARNING: A suitable ground fault interrupter (GFCI) should always be installed on aboveground system equipment.

See pages 351 for replacement parts.

PLM SERIES FILTER SYSTEMS

ABOVEGROUND MODULAR MEDIA FILTER SYSTEM



TRADEGRADE

Featured Highlights

- Compact Design – Fits easily in tight installations. Sleek-looking in matte black finish.
- Easy Access – The Posi-Lok™ Locking Ring is easy to use. Split-tank design permits rinse-in-place cleaning.
- Dirt Loading – Flow-balanced tank hydraulics direct water through each side of filter module. Uniform dirt-loading prevents clogging.
- Easy Reading – Information panels and top-mounted pressure gauge are positioned for easy reading



PLM Series Systems shown with OptiFlo® Pump²

CALIFORNIA PROPOSITION 65 WARNING
 ⚠️ **WARNING:** Cancer and Reproductive Harm.
 ⚠️ **AVERTISSEMENT:** Peut Causer le Cancer et des Dommages au Système Reproducteur.
 ⚠️ **ADVERTENCIA:** Cáncer y Daño Reproductivo.
www.p65warnings.ca.gov P65-2015-11

The System:2 Mod Media PLM Series Aboveground System from Sta-Rite® is the ultra-capacity filter ideally suited for aboveground pools. The Mod Media System handles heavy dirt loads, prevents clogging, and captures dirt between cleanings. Available with the rugged, large-capacity OptiFlo Series pump.

Ordering Information

Product	Pump THP	Pump Cord	Hose Kit (Ft.)	Effective Filtration Area (Sq. Ft.)	Flow ¹ Rate (GPM)	Turnover Capacity (In Gallons) ¹			Tank Diameter (In.)	Tank Height (In.)	Notes
						8 Hour	10 Hour	12 Hour			
PLM SERIES FILTER SYSTEMS											
SRPLM100OE1162	1.0	Standard plug 3 ft cord	6	100	100	48,000	60,000	72,000	15	28	—
SRPLM100OE1262	1.0	Twistlock plug 3 ft cord	6	100	100	48,000	60,000	72,000	15	28	—
SRPLM100OE13X2	1.0	CSA 25 ft cord	None	100	100	48,000	60,000	72,000	15	28	Only for sale in Canada
SRPLM150OE1162	1.0	Standard plug 3 ft cord	6	150	150	72,000	90,000	108,000	15	28	—
SRPLM150OE1262	1.0	Twistlock plug 3 ft cord	6	150	150	72,000	90,000	108,000	15	28	—
SRPLM150OE13X0	1.0	CSA 25 ft cord	None	150	150	72,000	90,000	108,000	15	28	Only for sale in Canada
SRPLM200OE1260	1.0	Standard plug 3 ft cord	6	200	150	72,000	90,000	108,000	15	28	—

¹ Flow Rate and Turnover Capacity based on Filter.

² WARNING: A suitable ground fault interrupter (GFCI) should always be installed on aboveground system equipment.

Note: Operating Limits – designed for maximum continual working pressure of 50 PSI. Water temperature maximum 104°F (40°C).

Dimensions and Performance

OptiFlo Pump

OptiFlo Pump

PLM Filter



Certified to NSF/ANSI Standard 50

See page 352 for replacement parts.

PLD SERIES FILTER SYSTEMS

ABOVEGROUND MODULAR D.E. FILTER SYSTEM



TRADEGRADE



PLD Series Systems shown with OptiFlo® Pump²

Evolution of the proven modular media technology delivers D.E. filtration in a simple, one-piece module design. Available with the rugged, large-capacity OptiFlo Series pump.

Featured Highlights

- The Posi-Lok™ Locking Ring provides easy access for seasonal cleaning. Simply unscrew the ring and lift.
- The modular-design filters incorporate a balanced-flow tank design that directs water through both sides of the modules, using every inch of its pleated surface
- Complete system includes the Mod D.E. filter and a performance-matched pump that's ready for easy assembly on a tool-free platform

CALIFORNIA PROPOSITION 65 WARNING

⚠ **WARNING:** Cancer and Reproductive Harm.
 ⚠ **AVERTISSEMENT:** Peut Causer le Cancer et des Dommages au Système Reproducteur.
 ⚠ **ADVERTENCIA:** Cáncer y Daño Reproductivo.
www.p65warnings.ca.gov

Ordering Information

Product	Pump THP	Pump Cord	Hose Kit (Ft.)	Effective Filtration Area (Sq. Ft.)	Flow ¹ Rate (GPM)	Turnover Capacity (In Gallons) ¹			D.E. Required (Lbs.)	Tank Diameter (In.)	Tank Height (In.)
						8 Hour	10 Hour	12 Hour			
PLD SERIES FILTER SYSTEMS											
SRPLD050OE1162	1.0	Standard plug 3 ft cord	6 ft	30	60	28,800	36,000	43,200	15	28	28
SRPLD050OE1262	1.0	Twistlock plug 3 ft cord	6 ft	30	60	28,800	36,000	43,200	15	28	28

¹ Flow Rate and Turnover Capacity based on Filter.

² WARNING: A suitable ground fault interrupter (GFCI) should always be installed on aboveground system equipment.

Note: Operating Limits – designed for maximum continual working pressure of 50 PSI. Water temperature maximum 104°F (40°C). D.E. required: 6 lbs.

Dimensions and Performance

PLD Filter

OptiFlo Pump



EASYSYSTEM™ D.E. FILTER SYSTEMS

ABOVEGROUND D.E. POOL SYSTEMS

Featured Highlights

- Removable cartridge-style D.E. element
- Automatically regenerates D.E. media during off cycle and start-up
- High Flow™ Manual Air Relief valve and continuous internal air relief work together to help reduce air accumulation and maintain optimum filtration efficiency in single and two-speed models ¹
- Filter lock ring allows for quick and easy servicing

CALIFORNIA PROPOSITION 65 WARNING
 ⚠️ **WARNING:** Cancer and Reproductive Harm.
 ⚠️ **AVERTISSEMENT:** Peut Causer le Cancer et des Dommages au Système Reproducteur.
 ⚠️ **ADVERTENCIA:** Cáncer y Daño Reproductivo.
www.p65warnings.ca.gov P65-2015-14



EasyClean D.E. Filter System shown with OptiFlo® Pump³

Rugged, efficient and simple to operate. The EasyClean D.E. Filter System comes in a variety of sizes to suit most aboveground pool configuration.

Ordering Information

Product	Pump THP	Pump Cord	Hose Kit (Ft.)	Effective Filtration Area (Sq. Ft.)	Flow ¹ Rate (GPM)	Turnover Capacity (In Gallons) ²			Tank Diameter (In.)	Tank Height (In.)	D.E. Required (Lbs.)
						8 Hour	10 Hour	12 Hour			
EASYSYSTEM FILTER SYSTEMS											
PNEC0060OE1162	1.0	Standard plug 3 ft cord	6 ft	15	60	28,800	36,000	43,200	15-1/2	25-1/2	1-1/2
PNEC0060OE1262	1.0	Twistlock plug 3 ft cord	6 ft	15	60	28,800	36,000	43,200	15-1/2	25-1/2	1-1/2
PNEC0090OE1160	1.0	Standard plug 3 ft cord	6 ft	30	90	43,200	54,000	64,800	15-1/2	40-1/2	3
PNEC0090OE1260	1.0	Twistlock plug 3 ft cord	6 ft	30	90	43,200	54,000	64,800	15-1/2	40-1/2	3

¹ Integrated continuous High Flow internal air relief is operational only when there is unobstructed flow in the circulating system.

² Flow Rate and Turnover Capacity based on Filter.

³ WARNING: A suitable ground fault interrupter (GFCI) should always be installed on aboveground system equipment.

Dimensions and Performance

OptiFlo Pump



SAND DOLLAR® FILTER SYSTEMS

SAND FILTER SYSTEM WITH BLOW-MOLDED TANK



Sand Dollar Filter System²

Our blow-molded process creates a one piece, non-corrosive tank of outstanding strength and durability. This pump and filter system provides excellent performance.

Featured Highlights

- Six-position 1-1/2 in. multiport valve
- New 1.0 THP OptiFlo® Pump
- One piece, durable non-corrosive tank
- Combination water and sand drain makes servicing and winterizing fast and easy
- Unionized Pump to Filter connection

CALIFORNIA PROPOSITION 65 WARNING

⚠ **WARNING:** Cancer and Reproductive Harm.
 ⚠ **AVERTISSEMENT:** Peut Causer le Cancer et des Dommages au Système Reproducteur.
 ⚠ **ADVERTENCIA:** Cáncer y Daño Reproductivo.
www.p65warnings.ca.gov

Ordering Information

Product	Pump THP	Pump Cord	Hose Kit (Ft.)	Effective Filtration Area (Sq. Ft.)	Flow ¹ Rate (GPM)	Turnover Capacity (In Gallons) ¹			Tank Diameter (In.)	Tank Height (In.)	Sand Required (Lbs.)
						8 Hour	10 Hour	12 Hour			
SAND DOLLAR FILTER SYSTEMS											
PNSD0035OE1160	1.0	Standard plug 3 ft cord	6 ft	1.4	35	16,800	21,000	25,200	16	28-1/2	100
PNSD0035OE11X0	1.0	Standard plug 3 ft cord	None	1.4	35	16,800	21,000	25,200	19	34	150
PNSD0040OE1162	1.0	Standard plug 3 ft cord	6 ft	1.8	40	19,200	24,000	28,800	19	34	150
PNSD0040OE11X0	1.0	Standard plug 3 ft cord	None	1.8	40	19,200	24,000	28,800	19	34	150
PNSD0040OE1260	1.0	Twistlock plug 3 ft cord	6 ft	1.8	40	19,200	24,000	28,800	19	34	150
PNSD0060OE1160	1.0	Standard plug 3 ft cord	6 ft	2.3	60	28,800	36,000	43,200	22	35-1/2	250
PNSD0060OE11X0	1.0	Standard plug 3 ft cord	None	2.3	60	28,800	36,000	43,200	22	35-1/2	250
PNSD0060OE1260	1.0	Twistlock plug 3 ft cord	6 ft	2.3	60	28,800	36,000	43,200	22	35-1/2	250

¹ Flow Rate and Turnover Capacity based on Filter.

² WARNING: A suitable ground fault interrupter (GFCI) should always be installed on aboveground system equipment.

Dimensions and Performance



See pages 355 for replacement parts.

CRISTAL-FLO™ II FILTER SYSTEMS

ABOVEGROUND SAND FILTER SYSTEM



TRADEGRADE

Featured Highlights

- Special internal filter design for level sand bed—vital for performance.
- One-piece polyethylene tank
- Multi-port valve selector activates backwashing action with one quick turn
- Easy-to-read top-mounted pressure gauge
- Unionized pump to filter connection allows for easy installation and servicing



Cristal-Flo II Filter System shown with OptiFlo® Pump²

CALIFORNIA PROPOSITION 65 WARNING
 ⚠️ **WARNING:** Cancer and Reproductive Harm.
 ⚠️ **AVERTISSEMENT:** Peut Causer le Cancer et des Dommages au Système Reproducteur.
 ⚠️ **ADVERTENCIA:** Cáncer y Daño Reproductivo.
www.p65warnings.ca.gov P65-2015-14

Easy-maintenance sand filter system with the rugged, large capacity OptiFlo Series pump. Low maintenance and simple installation make this system a good choice for many applications.

Ordering Information

Product	Pump THP	Pump Cord	Hose Kit (Ft.)	Effective Filtration Area (Sq. Ft.)	Flow ¹ Rate (GPM)	Turnover Capacity (In Gallons) ¹			Tank Diameter (In.)	Tank Height (In.)	Sand Required (Lbs.)	Notes
						8 Hour	10 Hour	12 Hour				
CRISTAL-FLO II FILTER SYSTEMS												
SRCF2016OE1160	1.0	Standard plug 3 ft cord	6 ft	1.4	35	16,800	21,000	25,200	16	28-1/2	100	—
SRCF2019OE1160	1.0	Standard plug 3 ft cord	6 ft	1.8	40	19,200	24,000	28,800	19	34	150	—
SRCF2019OE1260	1.0	Twistlock plug 3 ft cord	6 ft	1.8	40	19,200	24,000	28,800	19	34	150	—
SRCF2019OE13X0	1.0	CSA 25 ft cord	None	1.8	40	19,200	24,000	28,800	19	34	150	Only for sale in Canada
SRCF2022OE1160	1.0	Standard plug 3 ft cord	6 ft	2.3	60	28,800	36,000	43,200	22	35-1/2	250	—
SRCF2022OE1260	1.0	Twistlock plug 3 ft cord	6 ft	2.3	60	28,800	36,000	43,200	22	35-1/2	250	—

¹ Flow Rate and Turnover Capacity based on Filter.

² WARNING: A suitable ground fault interrupter (GFCI) should always be installed on aboveground system equipment.

Dimensions and Performance

OptiFlo Pump



See page 356 for replacement parts.

ACCESSORIES

FOR ABOVEGROUND SYSTEMS

WARNING: A suitable ground fault interrupter (GFCI) should always be installed on aboveground system equipment.

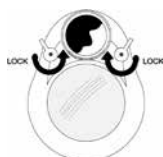
Product	Description
ACCESSORIES	
79137800	3 ft. Standard cord
155234	3 ft. cord with twist lock
155151	1-1/2 in. x 6 ft. hose kit, (to and from pool)
155005	1-1/2 in. x 12 ft. hose kit, (to and from pool)
150046	Hose adapter 1-1/2 in. NPT with Chlorinator connector
542413	Aboveground wall fitting 1-1/2 THD x 1-1/2 THD-white
542414	Aboveground wall fitting 1-1/2 THD x 1-1/2 socket-white
K50600	Kreepy Krauly® E-Z Vac® Pool Cleaner
360100	Kreepy Krauly 'Lil Shark™' Pool Cleaner
360321	Prowler® 910 Robotic Aboveground Cleaner
542090	Sand Vac - empties a sand filter in 10 min for repair, refilling or removal
R171016	300 Series Off-Line Chlorinator Feeder
79203100	Adapter to connect AquaLuminator® to cleaner
79100000Z	Fountain attachment, fits all AquaLuminator models



3 ft. Twist Lock cord 155234



6 ft. Hose Kit 155151
12 ft. Hose Kit 155005



Pressure
Cleaner
Adapter



300 Series
Chlorinator/
Feeder R171016

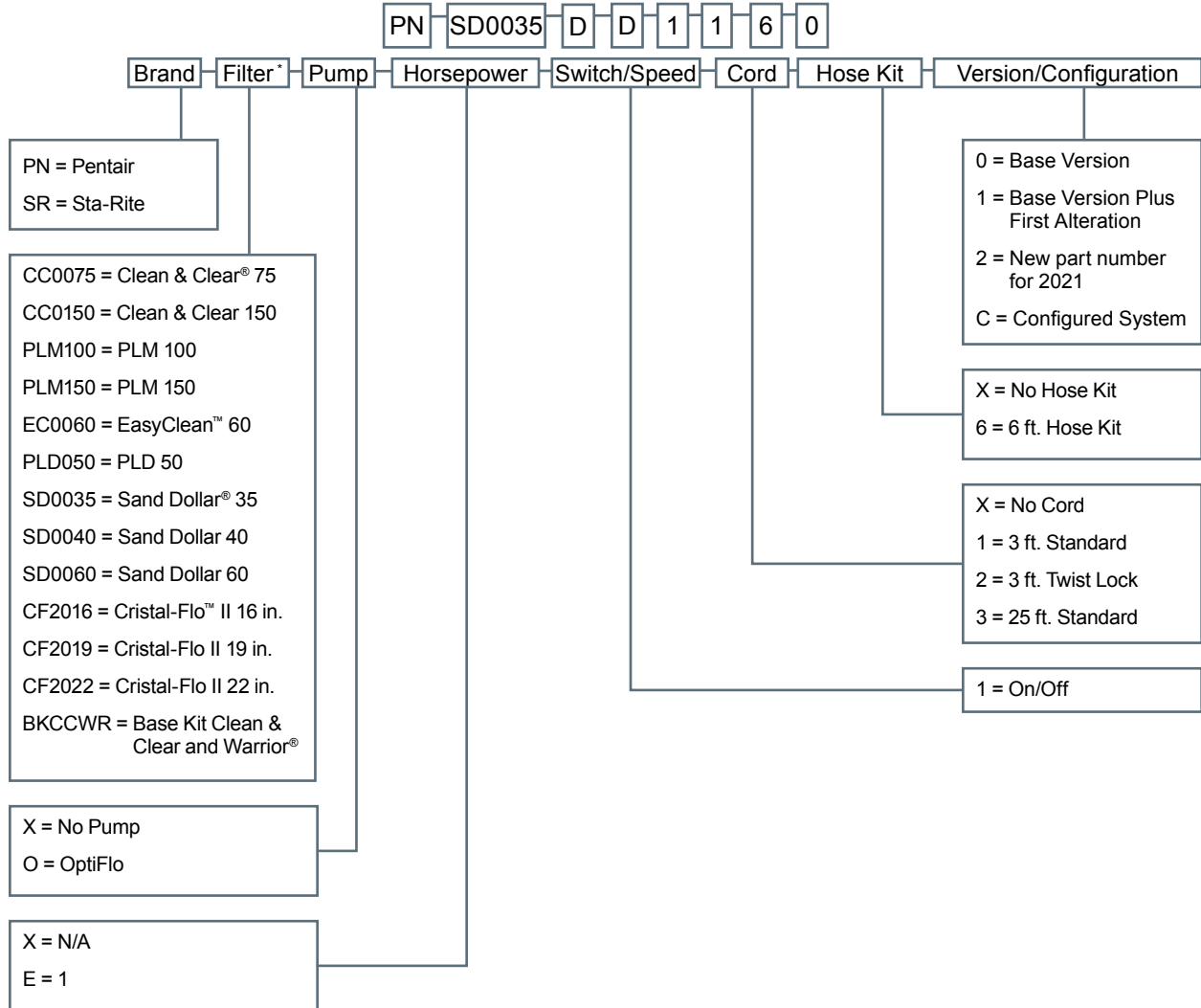


Sand Vac 542090

CALIFORNIA PROPOSITION 65 WARNING
 ⚠️ **WARNING:** Cancer and Reproductive Harm.
 ⚠️ **AVERTISSEMENT:** Peut Causer le Cancer et des Dommages au Système Reproducteur.
 ⚠️ **ADVERTENCIA:** Cáncer y Daño Reproductivo.
www.p65warnings.ca.gov P652014A

PART NUMBERING SCHEME FOR ABOVEGROUND SYSTEMS

ex. PNSD0035DD1160



* Filter list may not represent all available types and sizes.



AUTOMATIC POOL CLEANERS

PENTAIR PROWLER® 930W

ROBOTIC INGROUND POOL CLEANER

TRADEGRADE



Pentair Prowler 930W

This pool cleaner is the right option for people who want an easy way to control their pool cleaning. Mainly because it provides pool owners with anytime control via the Pentair Home app. The Prowler 930W cleaner connects to WiFi for smart device control.

Powered by Dolphin



Featured Highlights

- Using a smart device, the Pentair Home app lets pool owners go right to the problem spots and get them done fast
- All-surface deep cleaning using a powerful, high-speed scrubbing brush
- Programmable daily cleaning schedules
- Dual-level filtration with top access basket captures both large and ultra-fine debris
- Robust storage caddy for increased mobility and easy storage

CALIFORNIA PROPOSITION 65 WARNING
 ⚠️ **WARNING:** Cancer and Reproductive Harm.
 ⚠️ **AVERTISSEMENT:** Peut Causer le Cancer et des Dommages au Système Reproducteur.
 ⚠️ **ADVERTENCIA:** Cáncer y Daño Reproductivo.
www.p65warnings.ca.gov PN.00174A

Ordering Information

Product	Description	Carton Qty.	Carton Wt. (Lbs.)
PENTAIR PROWLER 930W ROBOTIC CLEANER			
360540	Prowler 930W Robotic Inground Pool Cleaner	1	40

See page 358 for replacement parts.

PENTAIR PROWLER® 920

ROBOTIC INGROUND POOL CLEANER

TRADEGRADE



Pentair Prowler 920

Pool walls and floor get deep-scrubbing and powerful vacuuming action, all the way up to the tile line. Prowler 920 comes with separate mesh baskets made for either large or fine debris, to customize the filtration level or do lightning-fast swap out for touchups.

Powered by Dolphin



Featured Highlights

- All-surface deep cleaning with a powerful, high-speed scrubbing brush
- Fast and easy debris removal with a top access filtration basket
- Select from a large or fine debris filtration cartridges
- Programmable daily cleaning schedules with a built-in weekly timer

CALIFORNIA PROPOSITION 65 WARNING
 ⚠️ **WARNING:** Cancer and Reproductive Harm.
 ⚠️ **AVERTISSEMENT:** Peut Causer le Cancer et des Dommages au Système Reproducteur.
 ⚠️ **ADVERTENCIA:** Cáncer y Daño Reproductivo.
www.p65warnings.ca.gov PN.00174A

Ordering Information

Product	Description	Carton Qty.	Carton Wt. (Lbs.)
PENTAIR PROWLER 920 ROBOTIC CLEANER			
360322	Prowler 920 Robotic Inground Pool Cleaner	1	29

See page 359 for replacement parts.

PENTAIR PROWLER® 910

ROBOTIC ABOVEGROUND POOL CLEANER

TRADEGRADE

Featured Highlights

- Powerful, high-speed scrubbing brush provides ultimate cleaning power
- Fast and easy debris removal with a top access filtration basket
- Durable 40-ft power cord

Just plug it in and watch as Prowler 910 makes fast work of dirt. Its deep-scrubbing and powerful vacuuming action effortlessly captures large and fine debris, depositing it into a self-contained, fine-mesh basket.



Pentair Prowler 910

Powered by Dolphin



CALIFORNIA PROPOSITION 65 WARNING
 ⚠️ **WARNING:** Cancer and Reproductive Harm.
 ⚠️ **AVERTISSEMENT:** Peut Causer le Cancer et des Dommages au Système Reproducteur.
 ⚠️ **ADVERTENCIA:** Cáncer y Daño Reproductivo.
www.p65warnings.ca.gov

Ordering Information

Product	Description	Carton Qty.	Carton Wt. (Lbs.)
PENTAIR PROWLER 910 ROBOTIC CLEANER			
360321	Prowler 910 Robotic Aboveground Pool Cleaner	1	27

See page 361 for replacement parts.

PENTAIR REBEL® SUCTION-SIDE INGROUND POOL CLEANER

TRADEGRADE



Pentair Rebel

Pentair Rebel cleaner packs amazing performance into a compact, easy-to-use package. Its preprogrammed steering and two-wheel design allows the Rebel cleaner to access hard-to-reach corners where debris often hides. Plus, the engineering of its turbine and roller skirt assists in thorough uninterrupted cleaning. The Rebel cleaner's efficient hydraulic design makes it ideal for use with variable-speed pumps at low speed. Installation is a snap—just set it and forget it.

CALIFORNIA PROPOSITION 65 WARNING
 ⚠️ **WARNING:** Cancer and Reproductive Harm.
 ⚠️ **AVERTISSEMENT:** Peut Causer le Cancer et des Dommages au Système Reproducteur.
 ⚠️ **ADVERTENCIA:** Cáncer y Daño Reproductivo.
www.p65warnings.ca.gov PR325114

Featured Highlights

- Redesigned bearings allow up to 26% faster operation and product longevity compared to previous Rebel V2 model
- Programmed Cleaning Cycle helps assure complete, thorough pool cleaning coverage
- Sure Flow Turbine design provides clear passage for dirt and debris, avoiding the clogging that is common with other 2-wheel cleaners
- Dual-Action Roller Skirt allows Rebel to maneuver up and over obstacles for uninterrupted cleaning
- Advanced Hydraulic Technology makes it ideal for use with variable speed and two-speed pumps at lower speeds
- Cleaning performance in all pool types—gunite, vinyl, fiberglass and tile pools
- Easy to install and maintain

Ordering Information

Product	Description	Carton Qty.	Carton Wt. (Lbs.)
PENTAIR REBEL SUCTION-SIDE CLEANER			
360473	Rebel Automatic Pool Cleaner for Inground Pools	1	15

See page 374 for replacement parts.

PENTAIR DORADO® SUCTION-SIDE INGROUND POOL CLEANER

Featured Highlights

- Bristle Drive Technology combines deep-cleaning scrubbing action and powerful, oversized vacuum inlet
- SmartTrac Programmed Steering easily navigates around pool obstacles for uninterrupted cleaning
- 15-inch wide cleaning path
- No assembly required. Just hook to hose and go

The Dorado suction-side cleaner delivers simple, powerful cleaning you can see and feel. Its unique, Bristle-Drive™ Technology combines with oversized vacuum inlet to scrub and devour tough dirt and debris from your pool's floor and walls, providing complete, trouble-free cleaning. The cleaner's 15-inch-wide bristle scrubbers cover more of your pool in a single pass for fast cleaning. And Dorado's SmartTrac™ Programmed Steering easily navigates around pool obstacles for uninterrupted vacuuming of large and small debris.

TRADEGRADE



Pentair Dorado

Ordering Information

Product	Description	Carton Qty.	Carton Wt. (Lbs.)
PENTAIR DORADO SUCTION-SIDE CLEANER			
360151	Dorado Automatic Pool Cleaner for Inground Pools	1	15

See page 378 for replacement parts.

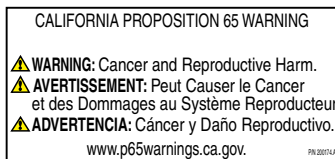
KREEPY KRAULY® GREAT WHITE®

FOR INGROUND SWIMMING POOLS

Featured Highlights

- Bristle-drive dislodges tough dirt and debris for quick and thorough cleaning
- Programmed steering easily navigates around pool obstacles for uninterrupted cleaning
- Cuts a wide 15 in. path for quick cleaning
- Free Vac-Port door fitting for installation into dedicated vacuum line
- Adjustable regulator valve and free flow gauge let you set just the right cleaning speed to help assure an effective cleaning
- No assembly required. Just hook to hose and go

Kreepy Krauly Great White cleaner scrubs and vacuums away tough dirt. Its bristle-drive mechanism has the strength to knock loose stubborn dirt, while the powerful vacuum action whisks away small and large debris.



Kreepy Krauly Great White

Ordering Information

Product	Description	Carton Qty.	Carton Wt. (Lbs)
KREEPY KRAULY GREAT WHITE SUCTION-SIDE CLEANER			
GW9500	Great White Automatic Pool Cleaner for Inground Pools	1	15

See page 379 for replacement parts.

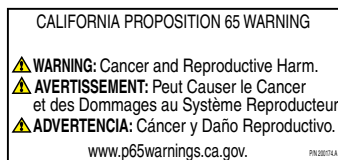
KREEPY KRAULY® SANDSHARK™

FOR INGROUND SWIMMING POOLS



Kreepy Krauly SandShark

Kreepy Krauly SandShark foot pad features multiple rows of squeegee-like fins which easily dislodge stubborn dirt and debris. Cuts a 12-inch wide cleaning path and easily cleans gunite, fiberglass and vinyl surfaces in all types of inground pools.



Featured Highlights

- SmartTrac™ Programmed Steering assures complete cleaning coverage from the pool floor to the waterline, maneuvering the SandShark cleaner around corners, swim-outs and steps
- Two-way cleaning action - footpad design scrubs and dislodges debris from the pool surface while its powerful vacuum action whisks it away
- Wide body design allows the SandShark cleaner to cut a broad 12-inch cleaning path for fast cleaning

Ordering Information

Product	Description	Carton Qty.	Carton Wt. (Lbs.)
KREEPY KRAULY SANDSHARK SUCTION-SIDE CLEANER			
GW7900	SandShark Automatic Pool Cleaner for Inground Pools	1	15
GW7900-BLD	SandShark Automatic Pool Cleaner for Inground Pools - Builder Model	1	15

See page 380 for replacement parts.

KREEPY KRAULY®

SUCTION-SIDE INGROUND POOL CLEANER



Kreepy Krauly

Trusted since 1976, Kreepy Krauly cleaner's powerful suction relentlessly removes dirt and debris automatically. And with only one operational moving part, Kreepy Krauly is designed for less maintenance and low cost of operation. It's our tireless, reliable performer... year after year.

CALIFORNIA PROPOSITION 65 WARNING

⚠️ **WARNING:** Cancer and Reproductive Harm.
 ⚠️ **AVERTISSEMENT:** Peut Causer le Cancer et des Dommages au Système Reproducteur.
 ⚠️ **ADVERTENCIA:** Cáncer y Daño Reproductivo.
www.p65warnings.ca.gov

Featured Highlights

- Rugged construction and ultra reliable service
- Dive float directional system helps guide cleaner throughout entire pool from the water line to the pool bottom for great cleaning coverage
- Automatic valve regulates water flow to set the ideal travel speed for more thorough cleaning
- Roller strap maneuvers cleaner around steps and ladders for uninhibited cleaning
- Cleaner wings help channel leaves, dirt and debris directly into filtration system
- Original "one moving part" — no wheels or gears to replace

Ordering Information

Product	Description	Carton Qty.	Carton Wt. (Lbs.)
KREEPY KRAULY SUCTION-SIDE CLEANER			
360040	Kreepy Krauly Concrete/Gunite Cleaner ONLY - (Flat Seal)	1	15
360042	Kreepy Krauly Inground Universal Cleaner - (Pleated Seal)	1	15
360046	Kreepy Krauly Builder Model Concrete/Gunite Only	1	15
360049	Kreepy Krauly International Inground Cleaner - (Pleated Seal)	1	15

See page 381 for replacement parts.

KREEPY KRAULY® KRUISER™

SUCTION-SIDE INGROUND POOL CLEANER



Kreepy Krauly Kruiser

We took the best of our most popular suction-side cleaner, the Kreepy Krauly, and added performance features to make the Kreepy Krauly Kruiser. It's relentless in its ability to clean dirt and debris, while staying affordable and dependable.

CALIFORNIA PROPOSITION 65 WARNING

⚠️ **WARNING:** Cancer and Reproductive Harm.
 ⚠️ **AVERTISSEMENT:** Peut Causer le Cancer et des Dommages au Système Reproducteur.
 ⚠️ **ADVERTENCIA:** Cáncer y Daño Reproductivo.
www.p65warnings.ca.gov

Featured Highlights

- Extra-wide mouth to capture large and small debris with ease
- Includes specially engineered "fingers" to assure the unit won't get stuck or thrown off course by main drains, tight corners, eyeball fittings, and lights
- Built-in bumper helps assure free movement around steps and ladders for total cleaning coverage and uninterrupted, hands-free operation
- Installs in minutes without tools to skimmer

Ordering Information

Product	Description	Carton Qty.	Carton Wt. (Lbs.)
KREEPY KRAULY KRUISER SUCTION-SIDE CLEANER			
K60430	Kreepy Krauly Kruiser Inground Pool Cleaner	1	17

See page 382 for replacement parts.

PENTAIR 'LIL REBEL™

FOR ABOVEGROUND SWIMMING POOLS

TRADEGRADE

Featured Highlights

- Programmed cleaning cycle
- Sure-Flow Turbine provides clear passage for dirt and debris
- Two-wheel maneuverability and coverage
- Dual-action roller skirt maneuvers up and around obstacles
- Compact footprint for tight corners and 90 degree angles

Pentair 'Lil Rebel Cleaner makes short work of leaves, sand and other hard-to-clean debris. Installation is a snap—just set it and forget it. With a sleek, modern design, the 'Lil Rebel cleaner is a complement to any pool environment.

CALIFORNIA PROPOSITION 65 WARNING

⚠ **WARNING:** Cancer and Reproductive Harm.
 ⚠ **AVERTISSEMENT:** Peut Causer le Cancer et des Dommages au Système Reproducteur.
 ⚠ **ADVERTENCIA:** Cáncer y Daño Reproductivo.
www.p65warnings.ca.gov



'Lil Rebel

Ordering Information

Product	Description	Carton Qty.	Carton Wt. (Lbs.)
PENTAIR 'LIL REBEL CLEANER			
360450	'Lil Rebel Automatic Pool Cleaner for Aboveground Pools	1	15

See page 383 for replacement parts.

KREEPY KRAULY® 'LIL SHARK™

FOR ABOVEGROUND SWIMMING POOLS

Featured Highlights

- Dual band of bristles scrub debris loose, while powerful vacuum action whisks it away
- Programmed cleaning provides more complete coverage
- Cuts a wide 10" path for quick and thorough cleaning
- Engineered for high performance cleaning with low cost of ownership

Dual band bristles scrub debris loose, while the powerful vacuum action whisks it away. 'Lil Shark comes fully equipped - simply remove it from the box, attach the hose, place in the water and off it goes.

CALIFORNIA PROPOSITION 65 WARNING

⚠ **WARNING:** Cancer and Reproductive Harm.
 ⚠ **AVERTISSEMENT:** Peut Causer le Cancer et des Dommages au Système Reproducteur.
 ⚠ **ADVERTENCIA:** Cáncer y Daño Reproductivo.
www.p65warnings.ca.gov



Kreepy Krauly 'Lil Shark

Ordering Information

Product	Description	Carton Qty.	Carton Wt. (Lbs.)
KREEPY KRAULY 'LIL SHARK CLEANER			
360100	'Lil Shark Automatic Pool Cleaner for Aboveground Pools	1	15

See page 385 for replacement parts.

KREEPY KRAULY® E-Z VAC®

SUCTION-SIDE ABOVEGROUND POOL CLEANER



Kreepy Krauly E-Z Vac

E-Z Vac cleaner was designed based on the same time-tested platform as our most popular suction-side cleaner, Kreepy Krauly cleaner. Includes 32 feet of hose.

CALIFORNIA PROPOSITION 65 WARNING

⚠ **WARNING:** Cancer and Reproductive Harm.
 ⚠ **AVERTISSEMENT:** Peut Causer le Cancer et des Dommages au Système Reproducteur.
 ⚠ **ADVERTENCIA:** Cáncer y Daño Reproductivo.
www.p65warnings.ca.gov

Featured Highlights

- Hydraulic design for optimum vacuuming power
- Only one operational moving part—the flapper—for long, dependable service—no wheels or gears to replace or service
- Free skimming valve regulates water flow to assure proper cleaning speed and simultaneous skimming of surface debris while vacuuming
- Engineered to work in flat-bottomed and dish-shaped pools with a banked or radius cove

Ordering Information

Product	Description	Carton Qty.	Carton Wt. (Lbs.)
KREEPY KRAULY E-Z VAC CLEANER			
K50600	E-Z Vac Pool Cleaner	3	49
K50607	E-Z Vac International Model Cleaner (Not available in the U.S.)	3	49

See page 384 for replacement parts.

KREEPY KRAULY® PLATINUM™

PRESSURE-SIDE INGROUND POOL CLEANER



Kreepy Krauly Platinum

Kreepy Krauly Platinum cleaner is one rugged pressure-side cleaner. It's the ideal choice for inground pools exposed to higher loads of leaves and debris.

A great choice for pools in yards with lush landscaping and tougher cleaning challenges.

CALIFORNIA PROPOSITION 65 WARNING

⚠ **WARNING:** Cancer and Reproductive Harm.
 ⚠ **AVERTISSEMENT:** Peut Causer le Cancer et des Dommages au Système Reproducteur.
 ⚠ **ADVERTENCIA:** Cáncer y Daño Reproductivo.
www.p65warnings.ca.gov

Featured Highlights

- Dual thrust jets provide maximum power for speed and suction
- Front-wheel drive and wide tires provide maximum traction on inclined surfaces to assure total pool wall and floor coverage
- Four-wheel design
- Large-capacity debris channel and huge intake throat easily pick up larger leaves and debris
- Suitable for concrete, vinyl-lined and fiberglass pools

Ordering Information

Product	Description	Carton Qty.	Carton Wt. (Lbs.)
KREEPY KRAULY PLATINUM PRESSURE-SIDE CLEANER (Without Pump) ¹			
LL505PM	Platinum Gray Top, White Bottom Cleaner for Lighter Colored Pools	1	23
LL505PMG	Platinum All Gray Cleaner for Darker Colored Pools	1	23

¹ The Platinum automatic pool cleaner comes ready to connect to a Booster Pump (P/N LA-MS05 and P/NLA01N) sold separately.

See pages 366–367 for replacement parts.

KREEPY KRAULY® LEGEND®

PRESSURE-SIDE INGROUND POOL CLEANER



Kreepy Krauly Legend

Kreepy Krauly Legend pressure-side cleaner features a highly efficient booster pump (sold separately) for optimum power and unimpeded surface skimming, plus a large intake throat to handle large and small debris.

CALIFORNIA PROPOSITION 65 WARNING
 ⚠️ **WARNING:** Cancer and Reproductive Harm.
 ⚠️ **AVERTISSEMENT:** Peut Causer le Cancer et des Dommages au Système Reproducteur.
 ⚠️ **ADVERTENCIA:** Cáncer y Daño Reproductivo.
www.p65warnings.ca.gov PR202114

Featured Highlights

- Front-wheel drive for maximum traction on inclined surfaces for total pool coverage
- Four-wheel design
- Large intake throat and high-capacity bag handle large debris with ease
- Heavy-duty, large-capacity twist lock collection bag for long periods between cleanings and ease of maintenance
- Available in Gray/White or all Gray

Ordering Information

Product	Description	Carton Qty.	Carton Wt. (Lbs.)
KREEPY KRAULY LEGEND (Without Pump)			
LL505G	Legend Cleaner ¹ - Gray Top, White Bottom Cleaner for lighter colored pools	1	22
LL505GG	Legend - All Gray Legend Cleaner for darker colored pools ¹	1	22

¹ The Legend automatic pool cleaner comes ready to connect to a Booster Pump (P/N LA-MS05 and P/NLA01N) sold separately.

See pages 368–369 for replacement parts.

KREEPY KRAULY® LEGEND® II

PRESSURE-SIDE INGROUND POOL CLEANER



Kreepy Krauly Legend II

Kreepy Krauly Legend II cleaner provides pressure-side power without the added energy consumption of a booster pump. Dual-jetted design powers water through unit to create powerful vacuum action.

CALIFORNIA PROPOSITION 65 WARNING
 ⚠️ **WARNING:** Cancer and Reproductive Harm.
 ⚠️ **AVERTISSEMENT:** Peut Causer le Cancer et des Dommages au Système Reproducteur.
 ⚠️ **ADVERTENCIA:** Cáncer y Daño Reproductivo.
www.p65warnings.ca.gov PR202114

Featured Highlights

- Front-wheel drive design assures maximum traction on inclined surfaces for total pool coverage
- Four-wheel design
- Dual thrust jets for maximum power, speed and performance
- Automatic back-up feature helps prevent hang-ups by steps and in corners to aid with uninterrupted and unattended performance
- Heavy-duty, large-capacity twist lock collection bag for long periods between cleanings and ease of maintenance
- Available in Gray/White or all Gray

Ordering Information

Product	Description	Carton Qty.	Carton Wt. (Lbs.)
KREEPY KRAULY LEGEND II PRESSURE-SIDE CLEANER			
LX5000G	Legend II - Gray Top, White Bottom Cleaner for lighter colored pools	1	20
LX5000GG	Legend II - All Gray Cleaner for Darker Colored Pools	1	20

See pages 370–371 for replacement parts.

PENTAIR RACER®

PRESSURE-SIDE INGROUND POOL CLEANER



Pentair Racer

Pentair Racer Pressure-Side Inground Pool Cleaner is quick and simple to use with a 40% larger intake than Kreepy Krauly pressure-side cleaners. Just attach the dedicated pressure line and it goes to work. It also has an adjustable flow gauge to regulate the Racer cleaner's speed for even greater control. The Night Cruize® LED Lights offer pool illumination for after-dark clean up. Racer has four venturis, a built-in rotating brush and large vacuum tube for more powerful cleaning.

CALIFORNIA PROPOSITION 65 WARNING
 ⚠️ **WARNING:** Cancer and Reproductive Harm.
 ⚠️ **AVERTISSEMENT:** Peut Causer le Cancer et des Dommages au Système Reproducteur.
 ⚠️ **ADVERTENCIA:** Cáncer y Daño Reproductivo.
www.p65warnings.ca.gov PR2017A

Featured Highlights

- Front rotating brush scrubs and scours for a deep and detailed clean
- Wide tires for steady traction
- Cleans continuously in forward and reverse modes for complete uninterrupted coverage
- Ultra-bright LED lights illuminate and enhance nighttime cleaning
- Quick and easy to use and maintain — innovative design makes servicing easy

Ordering Information

Product	Description	Carton Qty.	Carton Wt. (Lbs.)
PENTAIR RACER PRESSURE-SIDE CLEANER			
360228	Racer Pressure-Side Inground Pool Cleaner	1	22.5

See page 362–363 for replacement parts.

PENTAIR RACER® LS

PRESSURE-SIDE INGROUND POOL CLEANER

TRADEGRADE



Pentair Racer LS

Pentair Racer LS is built for vacuum performance that provides maximum debris removal.

CALIFORNIA PROPOSITION 65 WARNING
 ⚠️ **WARNING:** Cancer and Reproductive Harm.
 ⚠️ **AVERTISSEMENT:** Peut Causer le Cancer et des Dommages au Système Reproducteur.
 ⚠️ **ADVERTENCIA:** Cáncer y Daño Reproductivo.
www.p65warnings.ca.gov PR2017A

Featured Highlights

- Quad-Jet Vacuum Technology—four jets create maximum vacuum power
- Large intake draws in dirt and debris
- Four-wheel Steady-Grip Traction navigates all pool surfaces
- Cleans up to the waterline
- Debris bag is a snap to detach and empty

Ordering Information

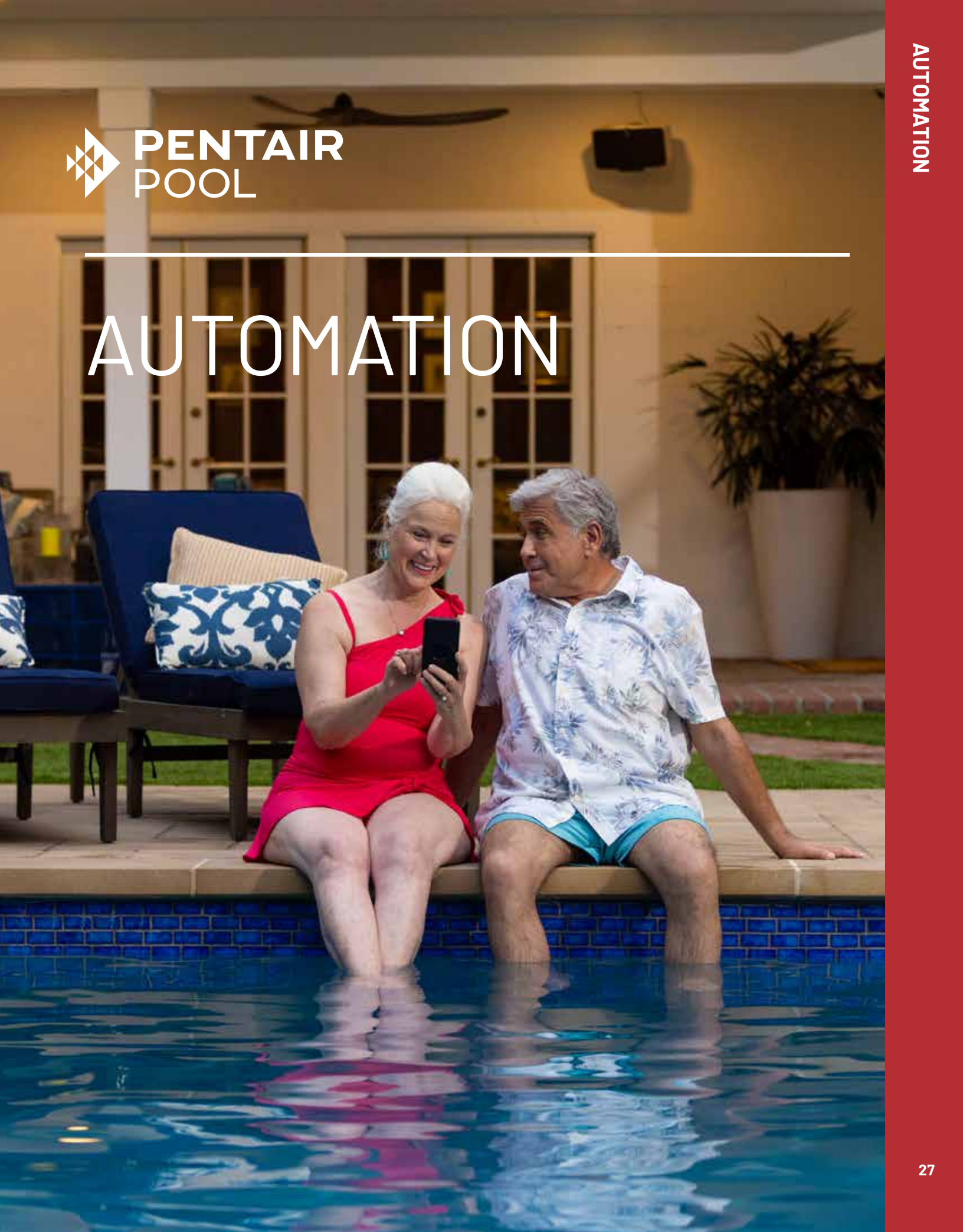
Product	Description	Carton Qty.	Carton Wt. (Lbs.)
PENTAIR RACER LS PRESSURE-SIDE CLEANER			
360330	Racer LS Pressure-Side Inground Pool Cleaner	1	22.5

See pages 364–365 for replacement parts.



PENTAIR
POOL

AUTOMATION



AUTOMATION DONE RIGHT.

IntelliCenter® Pool Control System is the most versatile Pentair automation system, delivering better-than-ever technology you can count on. Easily expandable, this system is now powered by AWS® technology to help improve connectivity. This automation system is here to make your job easier than ever.



INTUITIVE TOUCHSCREEN FOR EASIER INSTALLATION AND SETUP

Spend less time in the backyard thanks to quicker, easier, step-by-step instructions and Over-the-Air (OTA) updates.



MORE CONSISTENT CONNECTIONS

Say goodbye to late-night service calls with a system powered by AWS technology for increased reliability and stability.



PROACTIVE REMOTE MONITORING

Offer upgraded service with a birds-eye view of all your customers' systems and sort your dashboard to better service your customers.



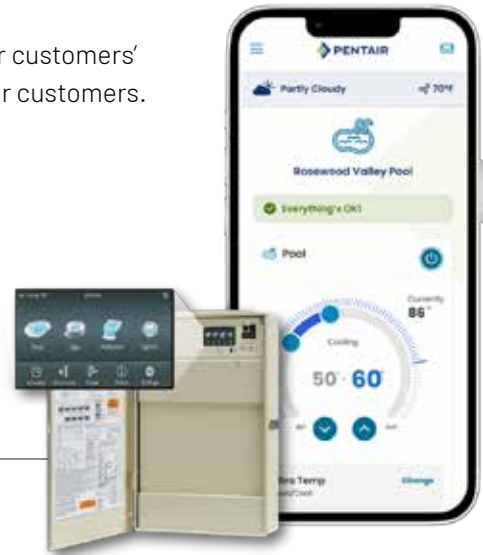
IMPROVED APP CONTROLS

The IntelliCenter 2 app gives pool owners ultimate pool control from anywhere, anytime.



DEDICATED SUPPORT

Access our expert automation specialists when you need assistance.



IntelliCenter Lite System

All the ease of IntelliCenter on a smaller scale.

- Offers up to five relays, i5P or i5PS bundle options
- Can work with existing breaker panel
- Expandable to support additional relays and functionality when new products are added
- Keeps optional devices connected and schedules intact with optimal connection
- Suitable for new pool installations or existing pools



IntelliCenter Upgrade Kit for EasyTouch®/IntelliTouch®

Bringing the latest automation technology to current systems.

- Smart upgrade for older pool automation systems
- Brings EasyTouch or IntelliTouch Control System up to date with modern features of the IntelliCenter Control System
- Expandable to accommodate new equipment add-ons and product upgrades

INTELLICENTER®

CONTROL SYSTEM FOR POOLS AND SPAS

Featured Highlights

- Easy to program, with the Setup Wizard for step-by-step, on screen instructions
- Color touchscreen interface displays intuitive instructions in clear text and rich colors
- Convenient control from inside and outside the home via outdoor and indoor control panels and remotes
- Remote control and monitoring from anywhere, anytime with the Pentair Home app and Pentair Pro app

TRADEGRADE



The IntelliCenter Pool Control System is the most versatile Pentair automation system, delivering better-than-ever technology you can count on. Easily expandable, this system is now powered by AWS® cloud technology for improved stability, connectivity, scheduling and reliable, centralized control for multiple pool devices, from water features to lights to pumps. This system makes pool life as easy as it should be.

CALIFORNIA PROPOSITION 65 WARNING
 ⚠️ **WARNING:** Cancer and Reproductive Harm.
 ⚠️ **AVERTISSEMENT:** Peut Causer le Cancer et des Dommages au Système Reproducteur.
 ⚠️ **ADVERTENCIA:** Cáncer y Daño Reproductivo.
www.p65warnings.ca.gov

Ordering Information

Product	Country	Description	Includes IntelliChlor® Cell	Includes SCG Transformer	Includes Two (2) IntelliValves
BUNDLED SYSTEMS (COMMON LOAD AND PERSONALITY KIT)					
523448	USA	IntelliCenter System (Load Center with i5P Personality Kit)	No	No	No
521903	USA	IntelliCenter System (Load Center with i8PS Personality Kit)	Yes, IC40	Yes	Yes
521904	USA	IntelliCenter System (Load Center with i8PS Personality Kit)	No	No	Yes
521905	USA	IntelliCenter System (Load Center with i5P Personality Kit)	Yes, IC40	Yes	No
521906	USA	IntelliCenter System (Load Center with i5PS Personality Kit)	Yes, IC40	Yes	Yes
521907	USA	IntelliCenter System (Load Center with i5PS Personality Kit)	No	No	Yes
521908	USA	IntelliCenter System (Load Center with i10PS Personality Kit)	Yes, IC40	Yes	Yes
523125	Canada	IntelliCenter System (Load Center with 5P-C/Personality Kit)	No	Yes	No
523126	Canada	IntelliCenter System with 5PS-C	No	Yes	Yes
523127	Canada	IntelliCenter System with 8PS-C	No	Yes	Yes

Note: Each system includes an outdoor wireless antenna. Pool/spa systems above include two IntelliValve® Valve Actuators.

INTELLICENTER UPGRADE KITS FOR EASYTOUCH AND INTELLITOUCH CONTROL SYSTEMS

522045	IntelliTouch/EasyTouch to Next Gen Upgrade Kit - i10P, for LC/PC	Systems manufactured prior to 2012 (2003 to 2012)
522046	IntelliTouch/EasyTouch to Next Gen Upgrade Kit - i10PS, for LC/PC	Systems manufactured prior to 2012 (2003 to 2012)
523218	IntelliTouch to Next Gen Upgrade Kit - i10D, for LC/PC (was 523048)	Systems manufactured prior to 2012 (2003 to 2012)
523530	IntelliTouch/EasyTouch to Next Gen Expansion Upgrade Kit LC/PC	Systems manufactured prior to 2012 (2003 to 2012)
522047	IntelliTouch/EasyTouch to Next Gen Upgrade Kit - i10P, for CLC/CPC	Systems manufactured after 2012
522048	IntelliTouch/EasyTouch to Next Gen Upgrade Kit - i10PS for CLC/CPC	Systems manufactured after 2012
523049	IntelliTouch to Next Gen Upgrade Kit - i10D, for CLC/CPC	Systems manufactured after 2012
523529	IntelliTouch/EasyTouch to Next Gen Expansion Upgrade Kit CLC/CPC	Systems manufactured after 2012

INTELLICENTER® LITE SYSTEM



INTELLICENTER LITE
SYSTEM

Featured Highlights

- All the functionality of IntelliCenter on a smaller scale.
- Offers up to five relays, i5P or i5PS bundle options
- Suitable for new pool installations or existing pools
- Breaker panel not always needed if there is an existing one
- Intuitive color touch screen makes it easy to set schedules
- Expandable to support additional relays and functionality with IntelliCenter daughter cards and expansion panels
- Optimal connection easily keeps optional devices connected and schedules intact
- Optional built-in WiFi connectivity and remote access capability via the mobile app for expanded control

The IntelliCenter Lite System options support five relays and each system includes a power center rather than a load center with breaker panels. These options should be used for IntelliCenter automation applications when a load center with a breaker panel is not needed.

Ordering Information

Product	Country	Description	Includes IntelliChlor® Cell	Includes SCG Transformer	Includes Two (2) Compool® Valve Actuators	Includes Two (2) IntelliValves
BUNDLED SYSTEMS (COMMON LOAD AND PERSONALITY KIT)						
523623	USA	IntelliCenter Lite System (power center with i5P personality kit)	No	No	No	No
523624	USA	IntelliCenter® Lite System With Standard Valve Actuators (power center with i5PS personality kit and 2 Compool valve actuators)	No	No	Yes	No
523625	USA	IntelliCenter® Lite System With IntelliValve® Actuators (power center with i5PS personality kit and 2 IntelliValve® actuators)	No	No	No	Yes
523668	USA	IntelliCenter Lite System (power center with i5P personality kit) without High Power Wireless Link	No	No	No	No
523669	USA	IntelliCenter Lite System (power center with i5PS personality kit) without High Power Wireless Link	No	No	No	No
523724	USA	IntelliCenter Lite System With Standard Valve Actuators (power center with i5PS personality kit and 2 Compool valve actuators) without High Power Wireless Link	—	—	—	—

CALIFORNIA PROPOSITION 65 WARNING

▲ **WARNING:** Cancer and Reproductive Harm.
▲ **AVERTISSEMENT:** Peut Causer le Cancer et des Dommages au Système Reproducteur.
▲ **ADVERTENCIA:** Cáncer y Daño Reproductivo.
www.p65warnings.ca.gov

INTELLICENTER®

CONTROL SYSTEM FOR POOLS AND SPAS

AL A CARTE ORDERING STEP 1: PICK YOUR LOAD AND POWER CENTER

Ordering Information

Product	Description	IntelliChlor Transformer
LOAD AND POWER CENTERS		
522041	Load Center (with Salt Chlorine Generator support)	Included
522042	Power Center (with Salt Chlorine Generator support)	Included
522043	Load Center (without Salt Chlorine Generator support)	Not Included
522044	Power Center (without Salt Chlorine Generator support)	Not Included

STEP 2: PICK YOUR PERSONALITY KIT

Product	Description	Body of Water Style	Motherboard	Daughter Card	No. of Additional Relays**
INTELLICENTER PERSONALITY KITS					
521909	IntelliCenter Personality Kit i5P	Single	i5P	N/A	0
521910	IntelliCenter Personality Kit i8P	Single	i5P	i8P	3
521911	IntelliCenter Personality Kit i10P	Single	i5P	i10P	5
521912	IntelliCenter Personality Kit i5PS	Shared Equipment	i5P	i5PS	0
521913	IntelliCenter Personality Kit i8PS	Shared Equipment	i5P	i8PS	3
521914	IntelliCenter Personality Kit i10PS	Shared Equipment	i5P	i10PS	5
521915	IntelliCenter Personality Kit i10D	Dual Equipment	i5P	i10D	5
522033*	IntelliCenter i5X Expansion Kit	—	i5X	N/A	0
522034*	IntelliCenter i10X Expansion Kit	—	i5X	i10x	5

*Expansion kits use an i5X motherboard. i5P motherboards cannot be used in expansion panels.

** Load center comes with five (5) 3 HP relays.

STEP 3: PICK YOUR ACCESSORIES

Product	Description	Notes
LOAD AND POWER CENTERS / SPACOMMAND REMOTES		
522035	IntelliCenter Indoor Control Panel, White Faceplate	
523058	IntelliCenter Indoor Control Panel, Tan Faceplate	
523059	IntelliCenter Indoor Control Panel, Black Faceplate	
522036	IntelliCenter Wireless Remote with Transceiver	
522038Z	IntelliCenter Valve Expansion Module	Adds six actuator ports to system (on main load center).
522039Z	Pool Cover Interface Expansion Board	Supports two covers.
523434	900 MHz Wireless Ethernet Link	
523557	900 MHz Wireless Ethernet Link Kit	Includes PoE module and Ethernet cables.
544425	Cable POE/Ethernet High Power Wireless Bundle	900 MHz Wireless Cables
521176	SpaCommand® Remote, Black with 150 ft. cable	
521177	SpaCommand Remote, Black with 250 ft. cable	
521178	SpaCommand Remote, White with 150 ft. cable	
521179	SpaCommand Remote, White with 250 ft. cable	
521180	Mudbox Accessory for recessing SpaCommand Remote into deck or tile. Includes cover plate and bezel.	
INTELLICENTER TRAINING AID		
523248	IntelliCenter Laptop Trainer	

See page 388 for replacement parts.

INTELLICENTER®

UPGRADE KIT FOR EASYTOUCH®/INTELLITOUCH®







IntelliCenter Upgrade Kit for EasyTouch®/IntelliTouch®

Featured Highlights

- All the benefits of IntelliCenter and the latest Pentair app experience
- Get the most advanced features of IntelliCenter
- Enjoy a joyful, effortless app experience

Replace older EasyTouch and IntelliTouch systems with IntelliCenter. Installs on the current wiring and housing, just change the bezel, board and transformer.

Product	Description	Manufacture Date	Identify Bezel by Cutout	
LEGACY: RECTANGULAR CUTOUT				
522045	i 10 Pool		Legacy: Rectangular Cutout	
522046	i 10 Pool/Spa	2003-2012 (Legacy)		
523218	i 10 Dual		EasyTouch	IntelliTouch
523530	Expansion			
CURRENT: SQUARE CUTOUT				
522047	i 10 Pool		Current: Square Cutout	
522048	i 10 Pool/Spa	2012-2023 (Current)		
523049	i 10 Dual		EasyTouch	IntelliTouch
523529	Expansion			

INCLUDED:

Bezel, Personality Kit and High Power Wireless Kit
High Power Wireless Kit #523557



System Transformer

Current: #522102Z; Legacy: #522062Z (bracket included)



4AMP and 5AMP Circuit Breakers

#523345 (4AMP); #523346 (5AMP)



INTELLICONNECT®

CONTROL AND MONITORING SYSTEM

TRADEGRADE

Featured Highlights

- External antenna offers an average of more than 4.9 times greater reception distance than the original IntelliConnect* for improved connectivity
- Enables smart connections to any of these Pentair devices: IntelliFlo® or IntelliPro® Pumps, IntelliChlor® or iChlor® Salt Chlorine Generator
- Allows for two relay connections to equipment like pool or landscape lights, pool cleaner booster pumps, or single-speed pumps including competitive models
- Provides real-time information on the status of the filtration system and other pool equipment
- Easily sets up and schedules automatic operation of connected equipment



IntelliConnect Control and Monitoring System

*Results stated with Ericsson model for city deployment with antenna/unit installed at 1.8m (6ft)

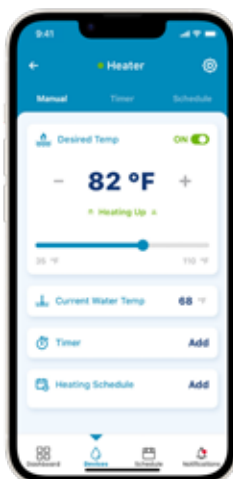
IntelliConnect allows pool owners to monitor and control various devices, including pumps, lights, salt chlorine generators and more, all through the Pentair Home app for easy, convenient control from anywhere. IntelliConnect 2 provides real-time information on the status of the filtration system and other pool equipment. Pool owners can command the system to work a little harder when extra filtration is needed.

Ordering Information

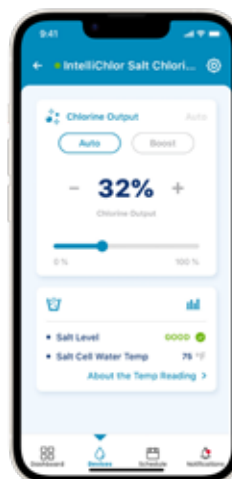
Product	Description
INTELLICONNECT CONTROL AND MONITORING SYSTEM	
523317	IntelliConnect Control and Monitoring System



Pump Status



Desired Temperature



Chlorine Output

CALIFORNIA PROPOSITION 65 WARNING
 ⚠️ **WARNING:** Cancer and Reproductive Harm.
 ⚠️ **AVERTISSEMENT:** Peut Causer le Cancer et des Dommages au Système Reproducteur.
 ⚠️ **ADVERTENCIA:** Cáncer y Daño Reproductivo.
www.p65warnings.ca.gov



Pentair Pro App and Home App

TAKE CONTROL FROM ANYWHERE

Connected Device Functionality for Pro & Home App

Product	Pro App	Home App
IntelliSync® Pool Pump Control and Monitoring System	Invite Pool Owner to Pentair Home App Remote Monitoring	WiFi Provisioning Program, Monitor & Control
ChemCheck® Water Quality Monitoring System	Invite Pool Owner to Pentair Home App Remote Monitoring ¹	WiFi Provisioning Program, Monitor ¹ & Control
IntelliFlo3® Variable Speed and Flow Pool Pump IntelliPro3® Variable Speed and Flow Pool Pump	Invite Pool Owner to Pentair Home App Program & Set Up through <i>Bluetooth</i> ² wireless technology Service or modify settings with <i>Bluetooth</i> ² Remote Monitoring	WiFi Provisioning Program, Monitor & Control Ability to Program, Monitor, & Control via <i>Bluetooth</i> ²
IntelliConnect® Pool Control System	Remote Monitoring	WiFi Provisioning Program, Monitor & Control
Prowler® 930 Robotic Inground Pool Cleaner	N/A	WiFi Provisioning Program, Monitor & Control
Color Sync™ Controller for Pentair Color LED Pool Lights	N/A	WiFi Provisioning Program, Monitor & Control

GLOSSARY

Term	Description
<i>Bluetooth</i> [®] Wireless Technology	Local connection to device using the <i>Bluetooth</i> option.
Control	Ability to make adjustments, as needed, to update schedules or take immediate action.
Monitor	Check device status.
Program	Configure settings and create schedules.
Remote Monitoring	Visibility to a customer's pool device status. Ability to work with pool owner off-site. Future state will include capability to control remotely.
Set Up	Connect the pool device to the app and create or add to account.
WiFi Provisioning	Connect device to router for wireless internet connection.

¹ Visibility to device readings of the pH and ORP levels. Gives pool professional the ability to enter water test results and the adjustments made into the Pro app. The test results and changes are then visible to the homeowner in the Home app.

² *Bluetooth* can deliver a quick, direct connection to the device. Internet or cellular connection are required to open and use the Pro or Home app for *Bluetooth* or WiFi connectivity.

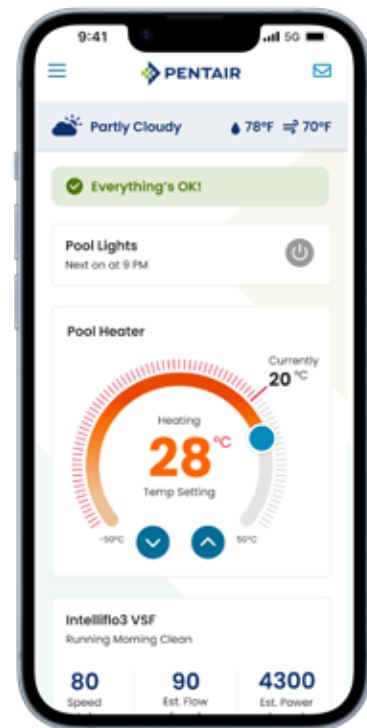
WiFi Connection Best Practices: Continuous WiFi connection to connected devices will support software updates and ongoing feature additions, even if it is connected to an automation system.



PENTAIR
PRO



PENTAIR
HOME



Learn more at:
pentair.com/connectedpool

SCREENLOGIC2® INTERFACE

FOR INTELLITOUCH® AND EASYTOUCH® AUTOMATION SYSTEMS

TRADEGRADE



Add a ScreenLogic2 Interface to Pentair automation systems and gain pool access from practically anywhere at any time using your Android® and iOS® device, Web browsers on Mac® and PC computers

Featured Highlights

- Use on Android® and iOS® device, Web browsers on Mac® and PC computers to control pool functions
- Remotely manage using the ScreenLogic2 Interface Application
- Easily change, track and monitor history of pH and ORP levels when using IntelliChem® Chemical Control System with IntelliTouch or EasyTouch Automation
- ScreenLogic2 Interface app now allows full color lighting control for both IntelliBrite® LED Pool/Spa/Landscape Lights and MagicStream® Laminars
- All ScreenLogic2 Interface Kits come with a protocol adapter and ScreenLogic2 Interface PC program on CD

ScreenLogic2 Interface allows you to control the key functions of your pool and spa using the IntelliTouch and EasyTouch control systems, using controllers such as your Android® and iOS® device, Web browsers on Mac® and PC computers. The ScreenLogic Bundle conveniently includes the Protocol Adapter (520500 and the ScreenLogic Interface Wireless Connection Kit (523434)).

Ordering Information

Product	Description	
SCREENLOGIC2 INTERFACE CONTROL SYSTEMS		
522104	ScreenLogic Bundle (includes 520500 and 523434)	
520500	Protocol Adapter Only	
520639	High Powered ScreenLogic Interface Wireless Connection Kit – Includes two radio transmitters that eliminate the need to run cable from the Load Center into the home where the protocol adapter and wireless router are located. This is for large properties where the standard 523434 does not work.	
523434	ScreenLogic Wireless Connect Kit	
523557	900 MHz Wireless Ethernet Link Kit	Includes PoE module and Ethernet cables.
544425	Cable POE/Ethernet High Power Wireless Bundle	900 MHz Wireless Cables

NOTE: All ScreenLogic2 Interface Kits come with a protocol adapter

Macintosh® and Mac® are registered trademarks of Apple Inc. in the United States and/or other countries.

Android® is a trademark of Google LLC., in the United States and/or other countries.

iOS® is a registered trademark of Cisco Technology, Inc. in the United States and/or other countries.

NOTE: THE PENTAIR SCREENLOGIC INTERFACE FOR MACINTOSH® DESKTOP COMPUTERS IS NOT COMPATIBLE WITH 64BIT SPEED MACINTOSH CATALINA OPERATING SYSTEM. CUSTOMERS WHO UPDATE THEIR MAC® DESKTOP COMPUTERS TO THE NEW CATALINA MACOS WILL NO LONGER BE ABLE TO USE SCREENLOGIC DESKTOP INTERFACE

CALIFORNIA PROPOSITION 65 WARNING

▲ **WARNING:** Cancer and Reproductive Harm.
▲ **AVERTISSEMENT:** Peut Causer le Cancer et des Dommages au Système Reproducteur.
▲ **ADVERTENCIA:** Cáncer y Daño Reproductivo.

www.p65warnings.ca.gov
P650714

SCREENLOGIC2® INTERFACE (CONT'D)

CONNECTION DIAGRAM

ScreenLogic2 Interface allows you to control the key functions of your pool and spa using the IntelliTouch and EasyTouch control systems, using controllers such as your Android® and iOS® device, Web browsers on Mac® and PC computers. The ScreenLogic Bundle conveniently includes the Protocol Adapter (520500 and the ScreenLogic Interface Wireless Connection Kit (523434).

ScreenLogic2 Interface is easy to setup. A wireless connection kit is provided to eliminate the need to run cable where impossible or impractical to do so.

Personal Computer - A PC or Laptop. Connects to a wireless router and the ScreenLogic2 Interface Protocol adapter for control of IntelliTouch and EasyTouch Automation pool/spa systems. Requires a PC/Laptop (Windows XP® or later) with Ethernet/RJ45 adapter installed.

Indoor Control Panel - This control panel for IntelliTouch and EasyTouch systems consists of a backlit LCD and connects into the Load Center for control of IntelliTouch or EasyTouch pool and spa systems.

MobileTouch® Wireless or EasyTouch Wireless Remote - This wireless control panel has a backlit LCD. Receives and transmits commands via the Transceiver antenna located at the Load Center.

Existing Wireless Router - Connects to the PC or Laptop via Ethernet connection.

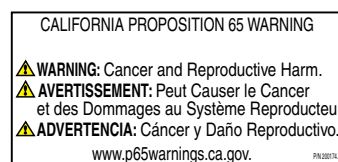
Protocol Adapter - Connects to wireless router via Ethernet connection and to Personality board (Load/Power Center) via a four-wire 22-AWG cable or provided wireless connection kit.

IntelliTouch or EasyTouch Automation Load Center or Power Center - The main control center, located at the equipment pad controls pump, heater, and light relays. It receives commands via Protocol adapter, and wireless and wired control panels connected to the Personality board.

MobileTouch Wireless and EasyTouch Wireless Remote Transceiver Antenna - This antenna sends and receives commands to and from the MobileTouch Wireless control panel.

Windows XP® is a registered trademark of Microsoft Corporation.

NOTE: THE PENTAIR SCREENLOGIC INTERFACE FOR MACINTOSH® DESKTOP COMPUTERS IS NOT COMPATIBLE WITH 64BIT SPEED MACINTOSH CATALINA OPERATING SYSTEM. CUSTOMERS WHO UPDATE THEIR MAC® DESKTOP COMPUTERS TO THE NEW CATALINA MACOS WILL NO LONGER BE ABLE TO USE SCREENLOGIC DESKTOP INTERFACE



EASYTOUCH® CONTROL SYSTEMS

POOL/SPA CONTROL SYSTEMS

TRADEGRADE

Featured Highlights

EasyTouch Features include:

- UltraTemp® Heat Pump integration
- Supports 2 IntelliFlo® Pumps
- Supports 8 Feature circuits
- MagicStream® Laminar support
- IntelliChem® Controller support
- Works with ScreenLogic2® Interface
- IntelliBrite® Pool and Spa Light support
- SpaCommand® Spa-Side Remote support and control of IntelliFlo® Pump
- Optional Controllers for added convenience: Indoor Control Panel (for 4 or 8 circuit systems), a Wireless controller (for 4 or 8 circuit systems), a 4-button spa side remote, and SpaCommand spa-side remote.
- All functions controlled with easy, one-button access from the self-contained load center or optional controllers. No need to memorize operating sequences, open and close valves, or reset time clocks and thermostats.
- Built-in diagnostics include automatic verification of the display, microprocessor, switches, indicators, relay outputs, valve outputs, sensor inputs, and communication ports as well as a diagnostic screen that reports failures for troubleshooting and repair purposes
- Includes 150 amp breaker base with space for ten 1-inch breakers
- UL and cUL approved
- Dimensions: 26 in. H x 17 in. W x 5-1/4 in. D



EasyTouch System



521885 - iS4 Remote Control



520547 - EasyTouch wireless for 8 circuit systems

CALIFORNIA PROPOSITION 65 WARNING
 ⚠️ **WARNING:** Cancer and Reproductive Harm.
 ⚠️ **AVERTISSEMENT:** Peut Causer le Cancer et des Dommages au Système Reproducteur.
 ⚠️ **ADVERTENCIA:** Cáncer y Daño Reproductivo.
www.p65warnings.ca.gov PB 201514

The EasyTouch Control System family offers control for homeowner's looking for an easy to use pool/spa control system. EasyTouch allows full control of all pool/spa features including advanced features such as colored lighting and IntelliChlor® Salt Chlorine Generator support. Every EasyTouch system includes an easy to use control panel that is built into the outdoor enclosure. This control panel allows for full system setup, programmability, and everyday operation. In addition, there are several other available remote interface choices. The EasyTouch systems come in a variety of configurations: Pool only or Spa only, Pool/Spa with shared equipment, and also integrated with Pentair IntelliChlor Salt Chlorine Generator.

Ordering Information

Product	Model
EASYTOUCH SYSTEMS WITHOUT INTELLICHLOR TRANSFORMER BUILT-IN	
520591	EasyTouch 4P – Single Body (base system - no ICP, no actuators)
520703	EasyTouch 8P – Single Body (base system - no ICP, no actuators)
520538	EasyTouch 4 – Pool/Spa (base system - no ICP, 2 actuators)
520540	EasyTouch 8 – Pool/Spa (base system - no ICP, 2 actuators)
EASYTOUCH SYSTEMS WITH INTELLICHLOR TRANSFORMER AND INTELLICHLOR CELL	
520592	EasyTouch 4PSC-IC20 – Single Body (includes SCG integration & IC20 cell)
520593	EasyTouch 4PSC-IC40 – Single Body (includes SCG integration & IC40 cell)
520704	EasyTouch 8PSC-IC20 – Single Body (includes SCG integration & IC20 cell)
520705	EasyTouch 8PSC-IC40 – Single Body (includes SCG integration & IC40 cell)
520542	EasyTouch 4SC-IC20 – Pool/Spa (includes SCG integration & IC20 cell, 2 actuators)
520543	EasyTouch 4SC-IC40 – Pool/Spa (includes SCG integration & IC40 cell, 2 actuators)
520544	EasyTouch 8SC-IC20 – Pool/Spa (includes SCG integration & IC20 cell, 2 actuators)
520545	EasyTouch 8SC-IC40 – Pool/Spa (includes SCG integration & IC40 cell, 2 actuators)
521150	EasyTouch 8SC-IC60 – Pool/Spa (includes SCG integration & IC60 cell, 2 actuators)
CANADIAN EASYTOUCH SYSTEMS	
520914	EasyTouch 4P-C – Single Body (salt ready system, cell must be ordered separately)
520915	EasyTouch 8-C – Pool/Spa (salt ready system, cell must be ordered separately)
520911	IntelliChlor IC20 cell for Canada
520912	IntelliChlor IC40 cell for Canada

See page 390 for replacement parts.

EASYTOUCH® CONTROL SYSTEMS ACCESSORIES

POOL/SPA CONTROL SYSTEMS

Product	Description	Product	Description
ACCESSORIES FOR EASYTOUCH SYSTEMS			
521485	IntelliValve® Valve Actuator	521885	iS4 Spa-side Remote, White 100 ft.
522104	ScreenLogic Bundle (includes 520500 and 523434)	AI101	Surge Suppressor for 115V transformer wiring
520500	Protocol Adapter Only	AI201	Surge Suppressor for 230V transformer wiring
523434	Wireless Connection Kit Complete, Antenna and Transceiver	520272	Air & Water Temperature Sensor (white)
520639	ScreenLogic High Power Wireless Link for large properties	522101	Solar Temperature Sensor (black)
520660	EasyTouch Laptop trainer	520198	Two-Speed 3HP Relay
520199	1000 ft. COM cable, four conductor, 22 AWG	263045	Valve Actuator
520106	3HP Relay for IntelliTouch or EasyTouch	520818	COM Port Expansion Module with 1 ft. cable
520548	EasyTouch ICP (Indoor Control Panel) for 4 circuit systems	RCS1	Additional Spa Jets Switch (for multiple jet pumps)
520549	EasyTouch ICP (Indoor Control Panel) for 8 circuit systems	ESO3	Emergency Shut-Off Switch w/Audible Alarm
520546	EasyTouch Wireless Controller Kit for 4 circuit system, including transceiver	520967	Light Direct Connect Kit (eliminates need for j-box)
520547	EasyTouch Wireless Controller Kit for 8 circuit system, including transceiver	521178	SpaCommand Remote, White with 150 ft. cable
520588	IntelliChlor® Pass-through Cell for Winter or start-up	521176	SpaCommand Remote, Black with 150 ft. cable
520594	IntelliChlor Diagnostic Wand	521179	SpaCommand Remote, White with 250 ft. cable
520595	IntelliChlor replacement unions (contains 2 o-rings, 2 couplers, 2 nuts)	521177	SpaCommand Remote, Black with 250 ft. cable
520670	IntelliChlor acid washing kit (contains closed end union cap, o-ring, & coupling nut)	521180	SpaCommand Remote Mudbox Accessory
520734	IntelliChlor 15 foot extension power cord	521500	SpaCommand Replacement Plastics (black & white trim ring, mounting bracket, screws and O-ring)
520736	IntelliChlor Flow Switch replacement kit		

CALIFORNIA PROPOSITION 65 WARNING

⚠️ **WARNING:** Cancer and Reproductive Harm.
 ⚠️ **AVERTISSEMENT:** Peut Causer le Cancer et des Dommages au Système Reproducteur.
 ⚠️ **ADVERTENCIA:** Cáncer y Daño Reproductivo.
www.p65warnings.ca.gov



520818 - COM Port Expansion Module



521885 - iS4 Remote Control



520548 - EasyTouch ICP for 4 circuit systems
 520549 - EasyTouch ICP for 8 circuit systems
 520546 - EasyTouch wireless for 4 circuit systems
 520547 - EasyTouch wireless for 8 circuit systems



520554 - IntelliChlor IC20 Cell
 520555 - IntelliChlor IC40 Cell
 521105 - IntelliChlor IC60 Cell



SpaCommand® Remote
TRADEGRADE

EASYTOUCH® PL4/PSL4 CONTROL SYSTEMS

ENTRY LEVEL POOL/SPA CONTROL SYSTEMS

TRADEGRADE

Featured Highlights

EasyTouch PL4/PSL4 Features include:

- Supports 1 IntelliFlo® Pump
- Supports 2 Feature circuits
- Supports 4 IntelliFlo Pump speeds
- Supports 4 scheduled programs
- Supports ScreenLogic2® Interface
- IntelliChem® Chemical Controller support
- IntelliChlor® support
(must use optional 520556 power center)
- Supports IntelliBrite® Lights, MagicStream® Laminars and ColorVision® Bubblers

Note: EasyTouch PL4/PSL4 Systems use the power center enclosure that does not contain a breaker base.



EasyTouch PL4/PSL4 System

The EasyTouch PL4/PSL4 Control Systems offers a new level of control for homeowner's looking for an affordable, easy to use pool/spa control system. EasyTouch PL4/PSL4 allows control of pools with a smaller number of features including pumps, filters, lighting, water features, spa control, heaters and heat pumps, and chemical control. The EasyTouch PL4 control system is a 4-circuit system, designed for a single body of water. The EasyTouch PLS4 is designed to control a pool/spa combination. Both options are available bundled with our ScreenLogic Interface Kit that allows for remote operation on a computer, smartphone, mobile digital device or right at the Power Center on the equipment pad. For more advanced features and up to 8 feature circuits, please see previous page for the EasyTouch Control System options.



522464 - EasyTouch PS4/PSL4 wireless for 4 circuit systems



521885 - iS4 Remote Control

Ordering Information

Product	Model
EASYTOUCH PL4/PSL4 SYSTEMS	
522352	EasyTouch PL4 - Single Body (base system - no ICP, no actuators)
522353	EasyTouch PL4 - Single Body with ScreenLogic Wireless Bundle (base system - no ICP, no actuators)
522354	EasyTouch PSL4 - Pool/Spa (base system - no ICP, 2 actuators)
522355	EasyTouch PSL4 - Pool/Spa with ScreenLogic Wireless Bundle (base system - no ICP, 2 actuators)
ACCESSORIES	
522464	EasyTouch PL4/PSL4 Wireless Remote
522465	EasyTouch PL4/PSL4 Indoor Control Panel
522104	ScreenLogic Wireless Bundle
520639	ScreenLogic High Power Wireless Link for large properties

CALIFORNIA PROPOSITION 65 WARNING
 ⚠️ **WARNING:** Cancer and Reproductive Harm.
 ⚠️ **AVERTISSEMENT:** Peut Causer le Cancer et des Dommages au Système Reproducteur.
 ⚠️ **ADVERTENCIA:** Cáncer y Daño Reproductivo.
www.p65warnings.ca.gov

See page 390 for replacement parts.

EASYTOUCH® PS4/PSL4 CONTROL SYSTEMS

ACCESSORIES

Product	Description	Product	Description
ACCESSORIES FOR EASYTOUCH PS4/PSL4 SYSTEMS			
521485	IntelliValve® Valve Actuator	520736	IntelliChlor Flow Switch Replacement Kit
522464	EasyTouch PL4/PSL4 Wireless Remote	521885	iS4 Spa-side Remote, White 100 ft.
522465	EasyTouch PL4/PSL4 Indoor Control Panel	AI101	Surge Suppressor for 115V transformer wiring
522104	ScreenLogic Bundle (includes 520500 and 523434)	AI201	Surge Suppressor for 230V transformer wiring
520500	Protocol Adapter Only	520272	Air & Water Temperature Sensor (white)
523434	Wireless Connection Kit Complete, antenna and transceiver	522101	Solar Temperature Sensor (black)
520199	1000 ft. COM cable, four conductor, 22 AWG	520198	Two-Speed 3HP Relay
520106	3HP Relay for IntelliTouch or EasyTouch	263045	Valve Actuator
520588	IntelliChlor Pass-through Cell for Winter or start-up	520818	COM Port Expansion Module with 1 ft. cable
520594	IntelliChlor Diagnostic Wand	RCS1	Additional Spa Jets Switch (for multiple jet pumps)
520595	IntelliChlor replacement unions (contains 2 o-rings, 2 couplers, 2 nuts)	ESO3	Emergency Shut-Off Switch w/Audible Alarm
520670	IntelliChlor acid washing kit (contains closed end union cap, o-ring, & coupling nut)	520967	Light Direct Connect Kit (eliminates need for j-box)
520734	IntelliChlor 15 foot extension power cord		

CALIFORNIA PROPOSITION 65 WARNING
 ⚠️ **WARNING:** Cancer and Reproductive Harm.
 ⚠️ **AVERTISSEMENT:** Peut Causer le Cancer et des Dommages au Système Reproducteur.
 ⚠️ **ADVERTENCIA:** Cáncer y Daño Reproductivo.
www.p65warnings.ca.gov PA200701A



520556 - IC20, IC40, IC60 Power Center



520818 - COM Port Expansion Module



521885 - iS4 Remote Control



522465 - EasyTouch PS4/PSL4 ICP for 4 circuit systems



522464 - EasyTouch PS4/PSL4 wireless for 4 circuit systems



520554 - IntelliChlor IC20 Cell
 520555 - IntelliChlor IC40 Cell
 521105 - IntelliChlor IC60 Cell



523009 - iChlor® 30 Cell Only
 523010 - iChlor 15 Cell Only

SUNTOUCH® CONTROL SYSTEM

TRADEGRADE

Featured Highlights

- One-touch function – no complicated routine to memorize
- Ability to program pool and spa and two additional features. All circuits in the system can control four operating schedules (maximum six total schedules per system)
- Supports 4 feature circuits for programming convenience
- Compatible with gas or electric heaters, heat pumps, and solar systems
- Temperature control can be set in one degree increments
- Supports one IntelliFlo® Pump and IntelliChlor® Salt Chlorine Generator



SunTouch System

SunTouch Control System is the easy way to keep your pool and spa cleaner, comfortable, and ready to enjoy. With the touch of a few buttons, you can quickly program your pool and spa filtration and heating cycles to fit your schedule. And it's just as simple to change programs or switch to manual mode for those unplanned, spontaneous plunges. With SunTouch Control System, your pump and heater automatically run whenever you want, for as long as you want so your pool and spa are always warm and inviting.

In addition to controlling your pump and heater, the standard SunTouch Control System package has the ability to schedule operation of additional functions, such as your lights or automatic cleaner. You can also add a third valve actuator to automate a solar heating system or water feature.

CALIFORNIA PROPOSITION 65 WARNING
 ⚠️ **WARNING:** Cancer and Reproductive Harm.
 ⚠️ **AVERTISSEMENT:** Peut Causer le Cancer et des Dommages au Système Reproducteur.
 ⚠️ **ADVERTENCIA:** Cáncer y Daño Reproductivo.
www.p65warnings.ca.gov

Ordering Information

Product	Description
SUNTOUCH CONTROL SYSTEMS	
520820	SunTouch Control System (pool/spa) – Includes 2 actuators, 2 temp sensors (20 ft. water, 40 in. air) and 3 relays
520819	SunTouch Solar Control System – Includes 1 actuator, 1 solar valve, and 2 temp sensors (20 ft. water, 40 in. solar)
520859	SunTouch Single Body Control System – Includes temp sensors (20 ft. water, 40 in. air) and 3 relays
520856	SunTouch Solar with 3-way valve – Includes 1 actuator, 3-way valve, and 2 temp sensors (20 ft. water, 40 in. solar)
520857	SunTouch Booster Pump Version – Includes 1 relay, and 2 temp sensors (20 ft. water, 40 in. solar)
ACCESSORIES FOR SUNTOUCH SOLAR CONTROL SYSTEMS	
520106	3HP Relay
520272	Air & Water Temperature Sensor (white)
522101	Solar Temperature Sensor (black)
520198	2 Speed Pump Relay
ES03	Emergency Shut-Off Switch w/Audible Alarm
521485	IntelliValve® Valve Actuator
263045	Valve Actuator
520967	Light Direct Connect Kit (eliminates need for J-box)

See page 391 for replacement parts.

SOLARTOUCH®

SOLAR CONTROL SYSTEM

TRADEGRADE



SolarTouch System

The SolarTouch Solar Control System offers full digital control for precise, efficient, swimming pool heating. The digital thermostat is set with the touch of a button and will monitor the temperature of the pool water and solar collectors. SolarTouch Control System integrates with IntelliFlo and IntelliPro Variable Speed pumps.

Featured Highlights

- Digital calibration of water and solar temperature in one degree increments
- Integrates with **IntelliFlo® and IntelliPro® Variable Speed pumps**
- Set pool temperatures and solar temperature differentials with the touch of a button
- Solar valve automatically drains the solar collectors when pump shuts off
- Durable PTFE Seal
- LCD display
- LED indicator lights confirm SolarTouch automation is working. Service indicator LED shows when attention is required.
- Motorized valve actuator has steel gears, low-voltage motor: service switch for flow direction
- Weatherproof composite enclosure
- Nocturnal cooling and recirculation freeze protection with filter-pump timer override
- 3-year warranty

Ordering Information

PRODUCT	DESCRIPTION
SOLARTOUCH SOLAR CONTROL SYSTEM	
521592	SolarTouch Solar Control System with 3-way solar drain down valve, valve actuator, and 2 temp sensor (20 ft. water, 40 in. solar)
521632	SolarTouch Solar Control System with 3-way Valve, valve actuator and 2 temp sensors (20 ft. water, 40 in. solar)
521590	SolarTouch Solar Control only
521942	SolarTouch Booster Pump
521606	SolarTouch Flash Programmer (USB)

CALIFORNIA PROPOSITION 65 WARNING

⚠ **WARNING:** Cancer and Reproductive Harm.
 ⚠ **AVERTISSEMENT:** Peut Causer le Cancer et des Dommages au Système Reproducteur.
 ⚠ **ADVERTENCIA:** Cáncer y Daño Reproductivo.
www.p65warnings.ca.gov

INTELLICENTER® POOL CONTROL SYSTEM

REMOTE MONITORING AND CONTROL

The screenshot displays the IntelliCenter2 Remote Monitoring dashboard. At the top, there is a search bar and buttons for 'Refresh' and 'Configure'. The main content is a table with columns for General, Body 1 Details, Body 2 Details, Equipment, and Water Chemistry. The table lists 17 installations with various parameters such as Pool Name, Card, Air Temp, Water Temp, Set & Heat Mode, Chlor Output, Alarms, Lights, Pentair Pump(s), Remote Enabled, pH, ORP (mv), Salt (ppm), Balance (L.M), CL Tank, and Acid Tank. The data is as follows:

General	Body 1 Details			Body 2 Details			Equipment				Water Chemistry							
Pool Name	Card	Air Temp	Water Temp	Set & Heat Mode	Chlor Output	Water Temp	Set & Heat Mode	Chlor Output	Alarms	Lights	Pentair Pump(s)	Remote Enabled	pH	ORP (mv)	Salt (ppm)	Balance (L.M)	CL Tank	Acid Tank
Installation 4	113PS	60°F	72°F	-	-	80°F	-	-	1	💡	🔊	🔄	7.45	586	-	0.21	26	46
Installation 3	113PS	70°F	82°F	-	-	95°F	-	-	2	💡	🔊	🔄	-	-	-	-	-	-
Installation 2	113PS	84°F	71°F	-	55%	98°F	-	15%	2	💡	🔊	🔄	-	-	2000	-	-	-
Installation 17	110P	69°F	72°F	-	-	-	-	-	-	-	-	🔄	-	-	-	-	-	-
Installation 16	18PS	58°F	62°F	-	55%	71°F	-	15%	-	-	-	🔄	7.37	587	3000	0.53	36	36
Installation 15	15PS	60°F	73°F	-	55%	89°F	-	15%	-	-	-	🔄	7.56	693	2500	0.37	18	06
Installation 14	110Q	74°F	77°F	🔥	55%	70°F	84°F	15%	-	-	-	🔄	5.76	309	500	-1.32	18	06
Installation 13	110Q	81°F	83°F	78°F	55%	88°F	84°F	15%	-	-	-	🔄	6.47	875	3000	1.36	30	26
Installation 12	110Q	72°F	71°F	83°F	100%	14°F	97°F	9%	-	-	-	🔄	6.85	669	1500	0.57	66	06
Installation 11	110Q	70°F	71°F	66°F	75%	84°F	82°F	1%	-	-	-	🔄	7.27	785	1500	0.19	56	16
Installation 10	110Q	78°F	76°F	80°F	60%	72°F	86°F	4%	-	-	-	🔄	7.65	666	2500	0.31	46	26
Installation 1	15P	42°F	-	-	-	-	-	-	-	-	-	🔄	-	-	-	-	undefined6	undefined6

Get a bird's eye view of all your customer's systems in one dashboard.

- Proactively monitor customer's systems
- Assess problems before they become issues requiring a service call
- Connect to systems and control equipment from anywhere
- Allows for the ability to offer white glove service

INTELLIVALVE®

VALVE ACTUATOR

TRADEGRADE

**IntelliValve
Valve Actuator**



The IntelliValve Valve Actuator lets you set just the right flow for water features. Its intuitive controls and LED position indicator lights make operation fast and push-button easy. Thirteen (13) bright LEDs provide a clear visual indication of the valve position from fully open to fully closed and everywhere in between. Simply use the left/right and Save buttons to set the flow rate in just seconds.

Featured Highlights

- Thirteen (13) LEDs give precise, easy-to-read indication of valve position
- Built-in interface allows quick and simple set-up of water flow
- Sleek, minimalist design is compact and fits easily within any equipment pad
- Sealed, maintenance-free design is weatherproofed for reliability
- Suitable for 1.5", 2", 2.5" and 3" valve sizes.
- 24-volt operation for use with standard automation systems, 750 mA max amp draw
- Adjustable 3.75-degree increments within the maximum 180-degree swing

CALIFORNIA PROPOSITION 65 WARNING

⚠ **WARNING:** Cancer and Reproductive Harm.
 ⚠ **AVERTISSEMENT:** Peut Causer le Cancer et des Dommages au Système Reproducteur.
 ⚠ **ADVERTENCIA:** Cáncer y Daño Reproductivo.
www.p65warnings.ca.gov

Ordering Information

Product	Description
INTELLIVALVE	
521485	For any Pentair Automation System
	Compatible with control systems that use standard actuators

VALVE ACTUATOR

VALVE CONTROL SYSTEMS

TRADEGRADE

Featured Highlights

CVA24 Valve Actuator

- Helps Prevent dead-heading of pumps
- Corrosion-proof enclosure
- Service switch (for flow direction)
- ETL recognized
- UL listed for use with IntelliTouch® Automation
- Operates Compool®, Ortega® or Jandy® Valves
- Compatible with all 24VAC Control Systems



Valve Actuator

Designed for use with 2-port and 3-port valves. Features maximum torque, 24VAC bi-directional motor.

CALIFORNIA PROPOSITION 65 WARNING
 ⚠️ **WARNING:** Cancer and Reproductive Harm.
 ⚠️ **AVERTISSEMENT:** Peut Causer le Cancer et des Dommages au Système Reproducteur.
 ⚠️ **ADVERTENCIA:** Cáncer y Daño Reproductivo.
www.p65warnings.ca.gov P652075A

Ordering Information

Product	Model	Voltage	Cable	Rotation	Compatibility	Motor
VALVE ACTUATOR						
263043	CVA24L	24 VAC	3-wire	90 deg.	2-port Compool/Ortega/Jandy Valves	Bi-directional
263044	CVA24Y	24 VAC	3-wire	120 deg.	3-port Compool PTV2Y Valve	Bi-directional
263045	CVA24T	24 VAC	3-wire	180 deg.	3-port Compool/Ortega/Jandy Valves	Bi-directional

Jandy® is a registered trademark of Jandy Industries, Inc.

GFCI CIRCUIT BREAKERS

Featured Highlights

- Personnel Protection GFCI
- Meets 2008 to current NEC Standards for Pool Pumps
- Compatible with IntelliTouch® and EasyTouch® Control System
- Designed to protect personnel exposed to ground faults in AC, DC, and mixed AC/DC systems where levels exceed 6 milliamps



GFCI Circuit Breakers

Ordering Information

CALIFORNIA PROPOSITION 65 WARNING
 ⚠️ **WARNING:** Cancer and Reproductive Harm.
 ⚠️ **AVERTISSEMENT:** Peut Causer le Cancer et des Dommages au Système Reproducteur.
 ⚠️ **ADVERTENCIA:** Cáncer y Daño Reproductivo.
www.p65warnings.ca.gov P652075A

Product	Description	Carton Qty.	Carton Wt (Lbs.)
GFCI CIRCUIT BREAKERS			
PA215GF	2-pole 15 amp GFCI	10	11.50
PA220GF	2-pole 20 amp GFCI	10	11.50

LX80 & LX820 SYSTEMS

COMMERCIAL POOL/SPA CONTROL SYSTEMS

TRADEGRADE



LX802

Designed for a commercial pool and spa application. Provides Remote Spa Jets switch (suitable for outdoor locations) with electronic countdown timer (15/30 minutes).

Featured Highlights

LX802 Commercial Pool/Spa Control System

- Emergency Shut-off Switch (disables all pumps)
- Audio Alarm
- Power Center available at the equipment site, features: mechanical time clocks for the Pool and Spa Filter Pumps, power relays (3) for Pool and Spa Filter Pumps and Spa jet Pump and equipment service switches

LX8202 Emergency Shut-off System

- Emergency Shut-off Switch
- Audio Alarm
- Power Center at the equipment site with equipment status lights and power relays (2) for Spa Filter Pump and Jet Booster Pump

NOTE: System interfaces with existing Spring Wound Timer

CALIFORNIA PROPOSITION 65 WARNING

⚠️ **WARNING:** Cancer and Reproductive Harm.
 ⚠️ **AVERTISSEMENT:** Peut Causer le Cancer et des Dommages au Système Reproducteur.
 ⚠️ **ADVERTENCIA:** Cáncer y Daño Reproductivo.
www.p65warnings.ca.gov

Ordering Information

Product	Circuits	Power Relays Std/Max	Circuit Breaker Capacity	Voltage	Relay Amp Inductive
LX80 & LX820 COMMERCIAL POOL/SPA CONTROL SYSTEMS					
LX802*	Pool Filter, Spa Filter, Jet1, Jet2	3 / 8	N/A	115V/230V	20
LX8202	*Spa Filter, Jet1, Jet2	2 / 3	N/A	115V/230V	20

* LX80 and LX820 systems standard relays included are 20 amp 2HP. Part number RLYLX3HP can be ordered if installing a 3HP pump.



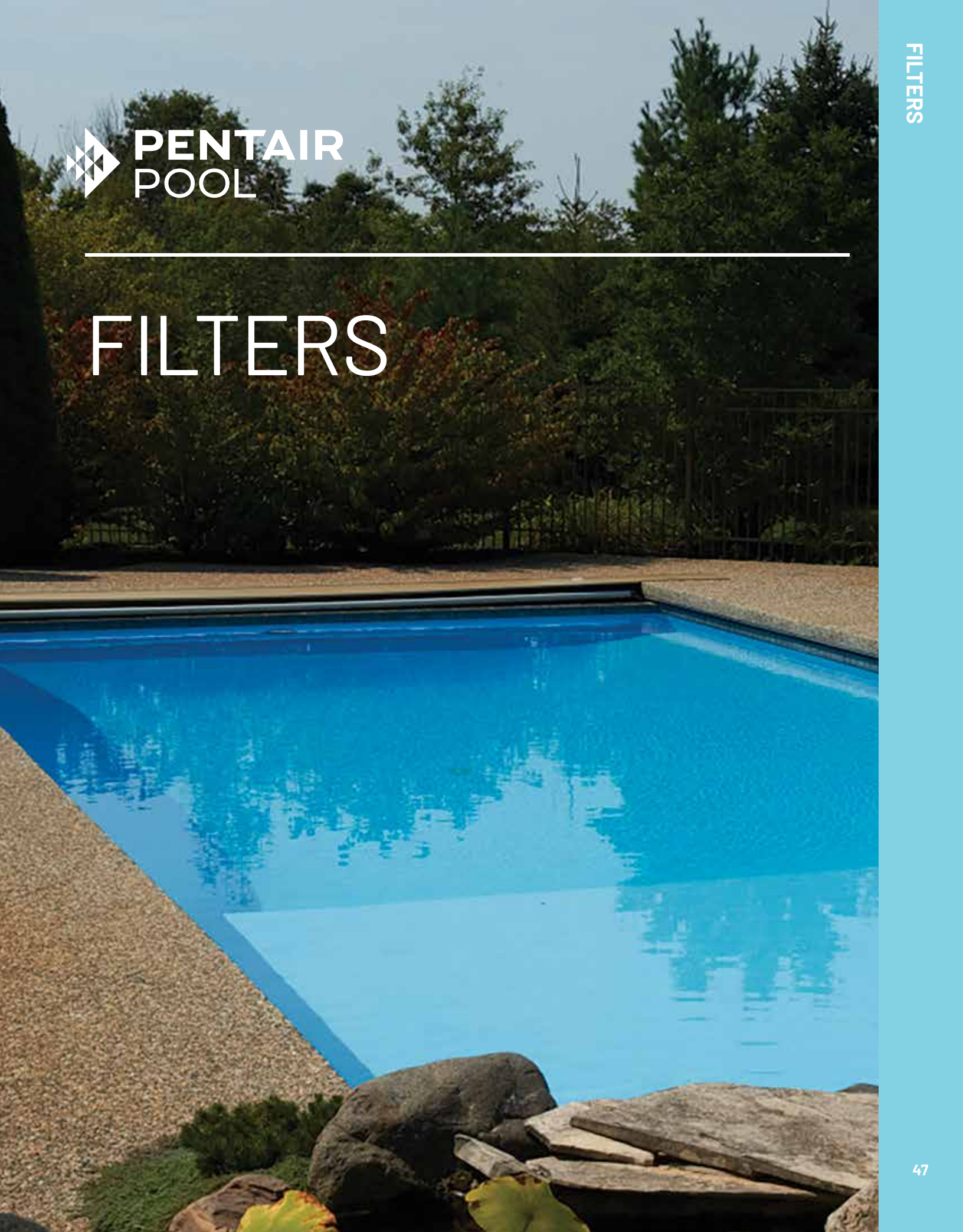
LX8202

Designed for retrofitting commercial spas where an emergency shut-off switch is required.

Product	Description
ACCESSORIES FOR LX80 COMMERCIAL POOL/SPA CONTROL SYSTEM	
RCS1	Additional Spa Jets Switch (for multiple jet pumps)
ES03	Emergency Shut-Off Switch w/Audible Alarm
RLYLX	Additional Power Relay (for auxiliary equipment)
RLYLX3HP	Additional 25 Amp, 3 HP Power Relay (for auxiliary equipment)
RYALX	Harness to operate 2 Power Relays from one control circuit
ACCESSORIES FOR LX8202 COMMERCIAL POOL/SPA CONTROL SYSTEM	
RLYSC	Additional Power Relay (for second jet pump or filter pump)
RLYSC3HP	Additional 25 Amp, 3 HP Power Relay (for auxiliary equipment)



FILTERS



CLEAN & CLEAR® PLUS FILTERS

FIBERGLASS REINFORCED POLYPROPYLENE TANK

Featured Highlights

- Certified to NSF/ANSI Standard 50
- Large filter area for increased dirt capacity
- 1-1/2 in., 100% drain clean-out port
- Continuous High Flow™ Internal Air Relief *
- Base and plumbing kits available
- Injection molded tank
- Balanced hydraulic flow
- Tension Control™ Clamp
- Black bulkhead unions
- High Flow manual air relief valve

TRADEGRADE



Inlet

Outlet

Clean & Clear Plus Filter

Clean & Clear Plus Filters have a corrosion resistant injection molded filter tank featuring strength and reliability. The cartridge assembly uses four easy to clean, non-woven, polyester cartridges. Each filter is supplied with a bulkhead union set for easy installation.

Watch safety video on: pentair.com/poolfiltersafety

Ordering Information

Product	Model	Effective Filtration Area (Sq. Ft.)	Flow Rate ² (GPM Res)	Turnover Capacity (In Gallons)			Carton Qty.	Carton Wt. (Lbs.)
				8 Hour	10 Hour	12 Hour		
CLEAN & CLEAR PLUS FILTERS								
160310	CCP240 ¹	240	90	43,200	54,000	64,800	1	60
160340	CCP320 ¹	320	120	57,600	72,000	86,400	1	70
160301	CCP420 ¹	420	150	72,000	90,000	108,000	1	80
160332	CCP520 ¹	520	150	72,000	90,000	108,000	1	90
CLEAN & CLEAR PLUS REPLACEMENT CARTRIDGES								
179133	Model 240 Replacement Cartridges (4/pack)							
179134	Model 320 Replacement Cartridges (4/pack)							
179135	Model 420 Replacement Cartridges (4/pack)							
179136	Model 520 Replacement Cartridges (4/pack)							

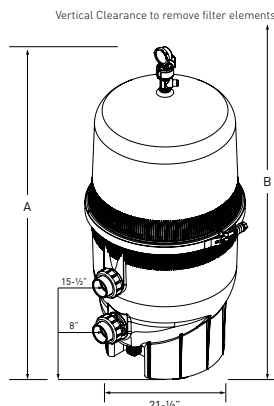
¹ Certified to NSF/ANSI Standard 50.

² Residential rate .375 GPM per sq. ft. of filter area.

Certified to NSF/ANSI Standard 50

Dimension Table

Model	A Dim.	B Dim.
160310	37"	56"
160340	43"	62"
160301	49"	68"
160332	56"	74"



Dimensions and Performance

Note: Actual system flow will depend on plumbing size and other system components.

Note: Pentair does not recommend flow rates above 150 GPM.

* Integrated continuous High Flow internal air relief is operational only when there is unobstructed flow in the circulating system.

Note: Operating Limits – maximum continual operating pressure of 50 PSI. Pool/spa (bather) applications, maximum operating water temperature (internal filter) 104°F (40°C).

CALIFORNIA PROPOSITION 65 WARNING

▲ **WARNING:** Cancer and Reproductive Harm.
▲ **AVERTISSEMENT:** Peut Causer le Cancer et des Dommages au Système Reproducteur.
▲ **ADVERTENCIA:** Cáncer y Daño Reproductivo.

www.p65warnings.ca.gov. PH201714A

See page 396 for replacement parts.

CLEAN & CLEAR® FILTERS

FIBERGLASS REINFORCED POLYPROPYLENE TANK

TRADEGRADE

Clean & Clear Filter



Featured Highlights

- Certified to NSF/ANSI Standard 50
- Unionized connections
- Integrated continuous High Flow™ Internal Air Relief *
- Chemical resistant tank body
- Lock ring with spring-loaded safety latches
- Coreless cartridge for easy cleaning
- High Flow manual air relief valve
- 1 in. drain and wash out
- Single piece base and body design

The Clean & Clear Filter features a chemical resistant tank with no-tool servicing and a coreless cartridge for easier cleaning. All models are equipped with easy spin-on unions for plumbing hook-ups. These filters are certified to NSF/ANSI Standard 50 and available in 50, 75, 100, 150, and 200 square foot sizes.

CALIFORNIA PROPOSITION 65 WARNING

⚠️ **WARNING:** Cancer and Reproductive Harm.
 ⚠️ **AVERTISSEMENT:** Peut Causer le Cancer et des Dommages au Système Reproducteur.
 ⚠️ **ADVERTENCIA:** Cáncer y Daño Reproductivo.
www.p65warnings.ca.gov PK32075A

Ordering Information

Watch safety video on: pentair.com/poolfiltersafety

Product	Model	Effective Filtration Area (Sq. Ft.)	Flow Rate ¹ (GPM Res)	Turnover Capacity (In Gallons)			Carton Qty.	Carton Wt. (Lbs.)
				8 Hour	10 Hour	12 Hour		
CLEAN & CLEAR FILTERS								
160314	CC 50	50	50	24,000	30,000	36,000	1	15
160315	CC 75	75	75	36,000	45,000	54,000	1	26
160316	CC 100	100	100	48,000	60,000	72,000	1	33
160317	CC 150	150	150	72,000	90,000	108,000	1	35
160318	CC 200	200	150	72,000	90,000	108,000	1	35

¹ One GPM per sq. ft. shown recommended flow rate .5 GPM per sq. ft.

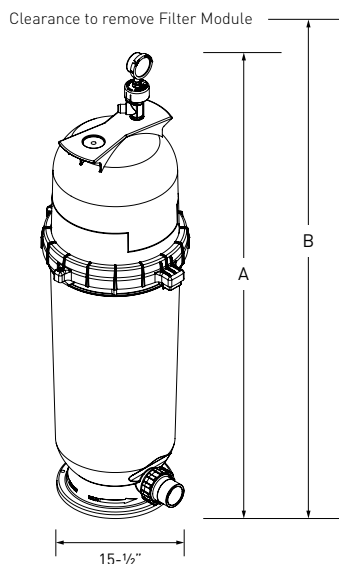
Dimensions and Performance

Note: Actual system flow will depend on plumbing size and other system components.

Note: Pentair does not recommend flow rates above 150 GPM.

* Integrated continuous High Flow internal air relief is operational only when there is unobstructed flow in the circulating system.

Note: Operating Limits – maximum continual operating pressure of 50 PSI. Pool/spa (bather) applications, maximum operating water temperature (internal filter) 104°F (40°C).



Certified to NSF/ANSI Standard 50

Dimension Table

Model	A Dim.	B Dim.
160314	18"	30"
160315	25-1/2"	39"
160316	33"	61"
160317	40-1/2"	76"
160318	40-1/2"	76"

CLEAN & CLEAR® RP FILTERS

FIBERGLASS REINFORCED POLYPROPYLENE TANK

TRADEGRADE

Featured Highlights

- Cartridge is easy to remove and rinse
- Low-force, quick-connect diamond-seal fastens easily with no tools required
- Chemical resistant tank body
- High Flow™ Manual Air Relief valve and continuous internal air relief
- 1-1/2 in. drain and washout for quick and convenient maintenance and winterization
- Easy turn Lock-ring



CALIFORNIA PROPOSITION 65 WARNING
 ⚠️ **WARNING:** Cancer and Reproductive Harm.
 ⚠️ **AVERTISSEMENT:** Peut Causer le Cancer et des Dommages au Système Reproducteur.
 ⚠️ **ADVERTENCIA:** Cáncer y Daño Reproductivo.
 www.p65warnings.ca.gov

Inside, the Clean & Clear RP has increased cartridge surface consistency to block and trap particles as small as 20 microns.

Watch safety video on: pentair.com/poolfiltersafety

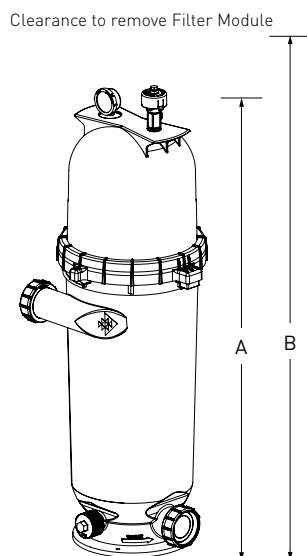
Ordering Information

Product	Model	Effective Filtration Area (Sq. Ft.)	Flow Rate ¹ (GPM Res)	Turnover Capacity (In Gallons)			Carton Qty.	Carton Wt. (Lbs.)
				8 Hour	10 Hour	12 Hour		
CLEAN & CLEAR RP FILTERS								
160354	CCRP 100	100	100	48,000	60,000	72,000	1	33
160355	CCRP 150	150	150	72,000	90,000	108,000	1	35
160353	CCRP 200	200	150	72,000	90,000	108,000	1	35

¹ One GPM per sq. ft. shown recommended flow rate .5 GPM per sq. ft.

Certified to NSF/ANSI Standard 50

Clean & Clear RP		
Model	A Dim	B Dim
160354	33"	61"
160355	40.5"	76"
160353	40.5"	76"



Dimensions and Performance

Note: Actual system flow will depend on plumbing size and other system components.

Note: Pentair does not recommend flow rates above 150 GPM.

* Integrated continuous High Flow internal air relief is operational only when there is unobstructed flow in the circulating system.

Note: Operating Limits – maximum continual operating pressure of 50 PSI. Pool/spa (bather) applications, maximum operating water temperature (internal filter) 104°F (40°C).

See page 397 for replacement parts.

DYNAMIC® FILTER SERIES

FOR SPAS, HOT TUBS AND SWIMMING POOLS



Dynamic Filter Series

Featured Highlights

- Free standing base optional on all but DSC models
- Cartridges are manufactured using high-quality filter media

The Dynamic Filter Series line includes in-line, top load, flange lily pad and safety skim filters with automatic chemical dispensers and a host of features created for the leading spa manufacturers throughout the country.

Ordering Information

Product	Model	Description	Effective Filtration Area (Sq. Ft.)	Max GPM	Plumbing Size	Filter Dimensions		Carton Qty.	Carton Wt. (Lbs.)
						Height	Diameter		
DYNAMIC FILTER SERIES II TOP LOAD 2 in. HIGH FLOW FILTERS									
R172502J	RTL 25	Slip, 3 oz. cartridge	25	100	2 in. socket	18 in.	8-1/4 in.	4	27
R172503	RTL 75	Slip, 3 oz. cartridge	75	100	2 in. socket	25 in.	8-1/4 in.	4	30
R172504B	RTL 50	Slip, 3 oz. cartridge	50	100	2 in. socket	18 in.	8-1/4 in.	4	28
R172505	RTL 100	Slip, 3 oz. cartridge	100	100	2 in. socket	31-1/2 in.	8-1/4 in.	4	32
DYNAMIC FILTER SERIES III TOP LOAD 2 in. HIGH FLOW FILTERS WITH CHLORINE/BROMINE DISPENSERS									
R172523	RCF 25	Slip, 3 oz. cartridge	25	100	2 in. socket	18 in.	8-1/4 in.	4	28
R172535	RCF 50	Slip, 3 oz. cartridge	50	100	2 in. socket	18 in.	8-1/4 in.	4	30
R172503C	RCF 75	Slip, 3 oz. cartridge	75	100	2 in. socket	25 in.	8-1/4 in.	4	32
R172505C	RCF 100	Slip, 3 oz. cartridge	100	100	2 in. socket	31-1/2 in.	8-1/4 in.	4	34
DYNAMIC FILTER SERIES IV FLOATING LILY PAD WEIR FILTERS ¹									
R172545	DFM 50	Low profile (no weir) short basket	50	100	2 in. socket	17-1/2 in.	8-1/2 in.	4	26
R172664	DFML 25	Lily pad weir, lock ring mount	25	100	2 in. socket	19-3/8 in.	8-1/2 in.	4	27
R172666	DFML 25C	Compact, (not available with dispenser)	25	100	2 in. socket	12-7/8 in.	8-1/2 in.	4	22
R172668	DFML 25	With chlorine/bromine dispenser	25	100	2 in. socket	19-3/8 in.	8-1/2 in.	4	28
R172670	DFML 35	Lily pad weir, lock ring mount	35	100	2 in. socket	15-1/2 in.	8-1/2 in.	4	24
R172674	DFML 50	Lily pad weir, lock ring mount	50	100	2 in. socket	19-3/8 in.	8-1/2 in.	4	28
SAFETY FACE PLATE KIT ¹									
R172555WH		Safety face plate kit, white						4	5

CALIFORNIA PROPOSITION 65 WARNING

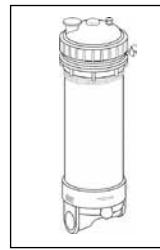
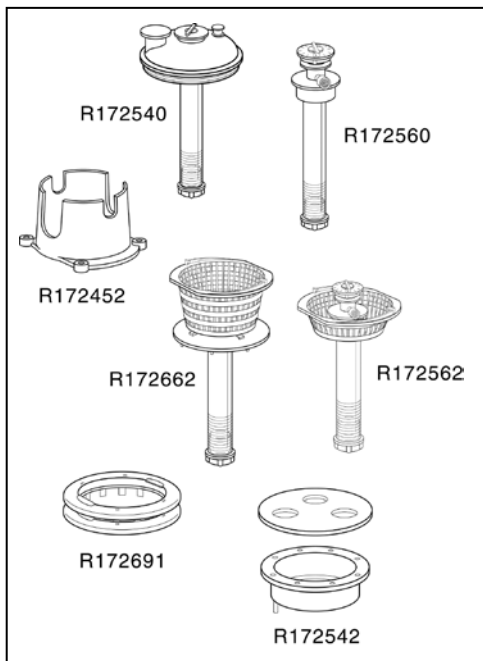
▲ **WARNING:** Cancer and Reproductive Harm.
▲ **AVERTISSEMENT:** Peut Causer le Cancer et des Dommages au Système Reproducteur.
▲ **ADVERTENCIA:** Cáncer y Daño Reproductivo.

www.p65warnings.ca.gov
PR-201714

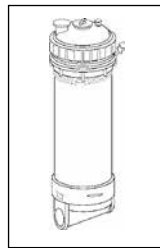
DYNAMIC® FILTER SERIES (CONT'D)

ACCESSORIES FOR DYNAMIC FILTER SERIES II, III, IV, V		
R172452	Free standing base for Dynamic Filter Series II and III	Bulk
R172540	Chlorine/Bromine Dispenser for Dynamic Filter Series II and III	Bulk
R172560	Chlorine/Bromine Dispenser for Dynamic Filter Series IV Skim	Bulk
R172562	Chlorine/Bromine Dispenser w/ basket for DFM 50	Bulk
R172662	Chlorine/Bromine Dispenser w/ basket for DFML 25, 35, 50	Bulk

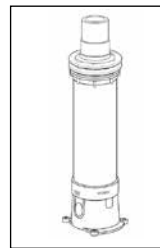
¹ All available in white. For sterling silver top add "SS" to order number. For dark grey add "DG."



RLT-25



RCF-25



DMFL-25

See page 399–402 for replacement parts.

SYSTEM:3™ MODULAR MEDIA FILTERS

SM SERIES FILTERS



TRADEGRADE



System:3 Modular Media Filter
SM Series

Featured Highlights

- Typical Installation – Inground pools, inground hot tubs, and water features
- Quality Construction – Durable two-piece tank housing constructed of Dura-Glas™, Sta-Rite's industry leading glass reinforced composite resin
- Innovative Design – The modular media concept incorporates media science, perfectly balanced flow, and an integral manifold design
- Low Maintenance – Complete media coverage combined with shallow pleats means greater dirt holding capabilities, resulting in longer filter cycles and less cleaning
- Quick Service – The shallow pleat design allows you to simply hose off the elements in a matter of minutes, making servicing a snap
- Dual Drain Plugs – Side plug available for plumbing to waste, while the bottom plug will drain entire filter

With the System : 3 Modular Media Filter, Sta-Rite brings you the product that makes Ultra-Capacity Filtration™ a reality. No longer simply “cartridges”, Sta-Rite’s modular media concept incorporates balanced flow, and an integral manifold design. This filtration concept aids in care-free operation within reach of today’s pool owners. Modular Filter Tanks allows for quick change of filter medias without changing the tank. Contemporary style and matte black finish looks attractive in any pool setting.

Ordering Information

Product	Effective Filter Area (Sq. Ft.)	Flow Rated ¹ GPM (Sq. Ft.)	Turnover Capacity (In Gallons) (Flow Rate x 60 x Hours)			Tank Port Size	Carton Wt. (Lbs.)
			6 Hour	8 Hour	10 Hour		
SYSTEM:3 MODULAR MEDIA FILTER - SM SERIES							
S7M120	300	50–100	18–36,000	24–48,000	30–60,000	2 in.	120
S7M400 ¹	400	50–115	18–41,000	24–55,000	30–69,000	2 in.	125
S8M150 ¹	450	50–124	18–45,000	24–60,000	30–74,000	2 in.	147
S8M500 ¹	500	50–130	18–46,000	24–62,400	30–78,000	2 in.	150

¹ Based on NSF rated flow range of .333 GPM per square foot for the S7M120.
.288 GPM per square foot for the S7M400, .275 GPM for the S8M150 and .26 GPM per square foot for the S8M500.

Note: No backwash valve required.

Note: Operating Limits – maximum continual operating pressure of 50 PSI. Pool/spa (bather) applications, maximum operating water temperature (internal filter) 104°F (40°C).

CALIFORNIA PROPOSITION 65 WARNING

▲ **WARNING:** Cancer and Reproductive Harm.
▲ **AVERTISSEMENT:** Peut Causer le Cancer et des Dommages au Système Reproducteur.
▲ **ADVERTENCIA:** Cáncer y Daño Reproductivo.

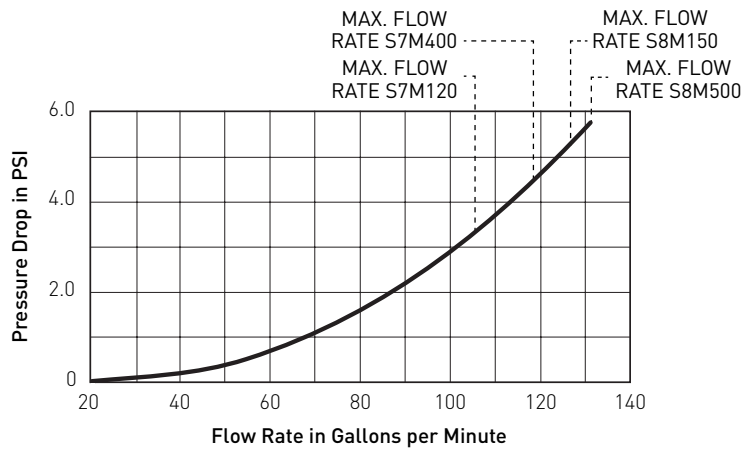
www.p65warnings.ca.gov
P65B011A

SYSTEM:3™ MODULAR MEDIA FILTERS (CONT'D)

SM SERIES FILTERS

Ordering Information

Product	Description	Carton Wt. (Lbs.)
ACCESSORIES FOR SYSTEM:3 MODULAR MEDIA FILTER - SM SERIES		
PKG 188Z	Union x 2 in. Slip Adapter - Pkg. of 2	1
PKG 189	Union x 2 in. FPT Adapter - Pkg. of 2	1
77703-0100	Union x 1-1/2 in. FPT Adapter - Pkg. of 2	1
77703-0101	Union x 1-1/2 in. Slip Adapter - Pkg. of 2	1
25021-0200S	100 sq. ft. Inner Replacement Module for S7M120	9
25022-0201S	200 sq. ft. Outer Replacement Module for S7M120	21
25021-0223S	136 sq. ft. Inner Replacement Module for S7M400	11
25022-0224S	264 sq. ft. Outer Replacement Module for S7M400	24
25021-0202S	191 sq. ft. Inner Replacement Module for S8M150	18
25022-0203S	259 sq. ft. Outer Replacement Module for S8M150	27
25021-0224S	209 sq. ft. Inner Replacement Module for S8M500	19
25022-0225S	291 sq. ft. Outer Replacement Module for S8M500	28
25021-0021	Modular Media Conversion Kit - S7M120/S7M400 (Order Modules Separately)	4
25021-0025	Modular Media Conversion Kit - S8M150/S8M500 (Order Modules Separately)	5
170145	S7M120 Inner & Outer Replacement Cartridge Pack	35
170146	S7M400 Inner & Outer Replacement Cartridge Pack	35
170147	S8M150 Inner & Outer Replacement Cartridge Pack	50
170148	S8M500 Inner & Outer Replacement Cartridge Pack	50

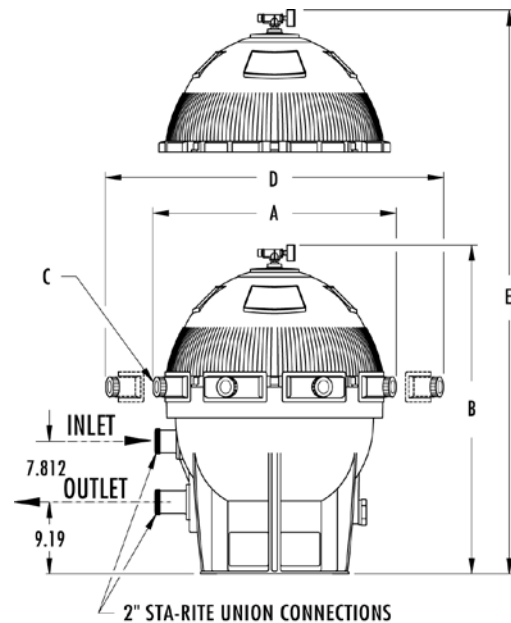


Catalog Number	DIMENSION				
	A	B	C	D	E
S7M120/S7M400	28-1/2	42	7	36	50
S8M150/S8M500	32-1/2	42-1/4	8	40	50

- A = width
 - B = height
 - C = number of clamps
 - D = area (width) needed to take off clamps
 - E = area (height) needed to remove top half of tank
- All dimensions shown in inches.

Dimensions and Performance

**Certified to
NSF/ANSI Standard 50**



See page 403 for replacement parts.

SYSTEM:2™ MODULAR MEDIA FILTERS

PLM SERIES FILTERS



TRADEGRADE



System:2 Modular Media Filters
PLM Series

Featured Highlights

- Typical Installation – aboveground pools, inground pools, and inground hot tubs
- Quality Construction – Durable two-piece tank housing constructed of rugged ABS thermoplastic to ensure a long-lasting tank life
- Easy Access – Posi-Ring Locking Ring provides fast access to tank internals
- Innovative Design – The innovative balanced flow design first introduced with the System : 3 Mod Media filter is available in the smaller System:2 filter
- Low Maintenance – Complete media coverage combined with shallow pleats means greater dirt holding capabilities, resulting in longer filter cycles and less cleaning
- Large Drain Plug – Filter includes 2 in. NPT Drain ports, which are provided with reducer bushing and 1-1/2 in. drain plug

Sta-Rite's modular media filtration is a great match for both the inground and aboveground pool markets. Advances in media technology and balanced flow design provide the optimal dirt holding capabilities. The small diameter footprint makes the System:2 filter a great fit for new and retrofit installations.

Modular Filter Tanks allows for quick change of filter medias without changing the tank. Contemporary style and matte black finish looks attractive in any pool setting.

Ordering Information

Product	Effective Filter Area (Sq. Ft.)	Flow Rated ¹ GPM (Sq. Ft.)	Turnover Capacity (In Gallons) (Flow Rate x 60 x Hours)			Tank Port Size	Carton Wt. (Lbs.)
			6 Hour	8 Hour	10 Hour		
SYSTEM:2 MODULAR MEDIA FILTER - PLM SERIES							
PLM100	100	38-100	14-36,000	18-48,000	23-60,000	2 in.	41
PLM125	125	47-125	17-45,000	22-60,000	28-75,000	2 in.	42
PLM150	150	56-150	20-54,000	27-72,000	34-90,000	2 in.	43
PLM175	175	66-150	24-54,000	31-72,000	39-90,000	2 in.	44
PLM200	200	75-150	27-54,000	36-72,000	45-90,000	2 in.	45
PLM300	300	113-150	41-54,000	54-72,000	68-90,000	2 in.	53

¹ Based on NSF recommended flow rate for commercial at .375 GPM per square foot.

Note: No backwash valve required.

Note: Operating Limits – maximum continual operating pressure of 50 PSI. Pool/spa (bather) applications, maximum operating water temperature (internal filter) 104°F (40°C).

CALIFORNIA PROPOSITION 65 WARNING

▲ **WARNING:** Cancer and Reproductive Harm.
▲ **AVERTISSEMENT:** Peut Causer le Cancer et des Dommages au Système Reproducteur.
▲ **ADVERTENCIA:** Cáncer y Daño Reproductivo.

www.p65warnings.ca.gov
PH 201714

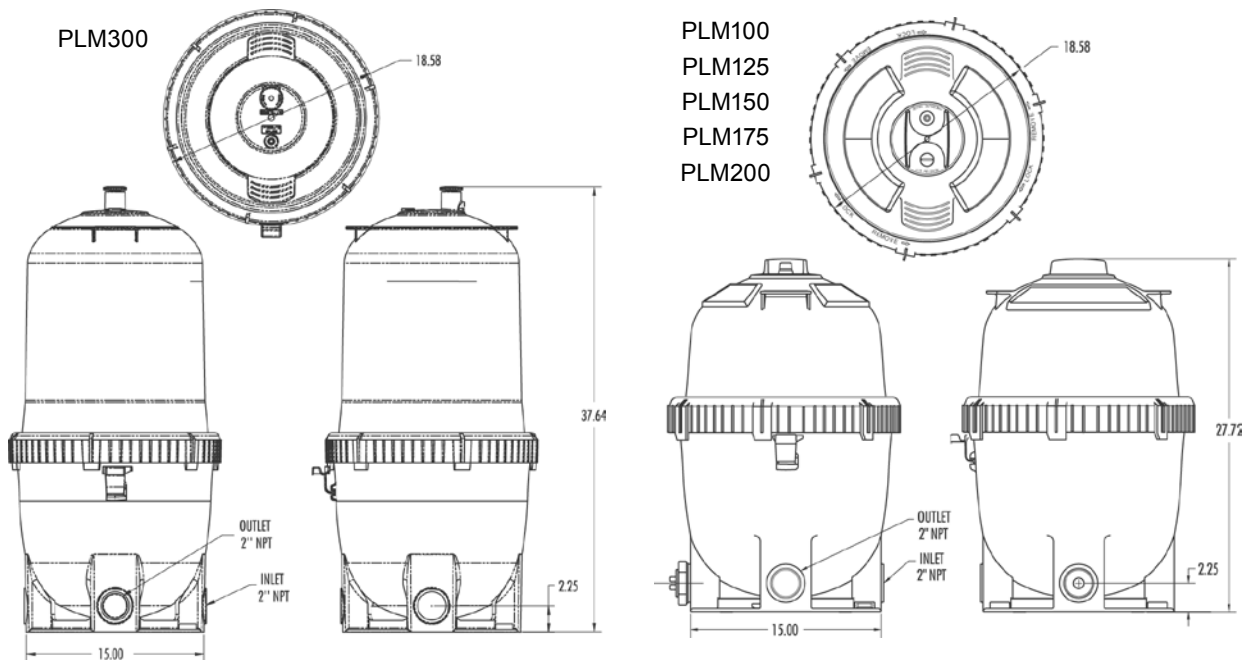
SYSTEM:2™ MODULAR MEDIA FILTERS (CONT'D)

PLM SERIES FILTERS

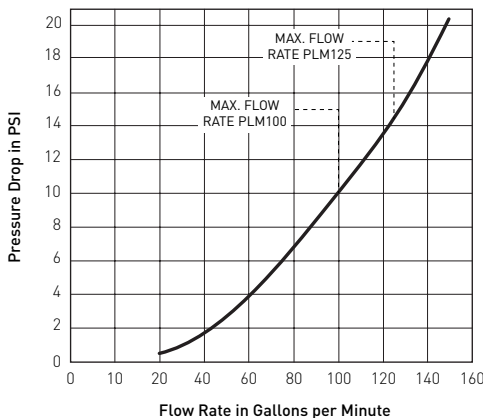
Ordering Information

Product	Description	Carton Wt. (Lbs.)
ACCESSORIES FOR SYSTEM:2 MODULAR MEDIA FILTER - PLM SERIES		
27002-0100S	100 Sq. Ft. Replacement Module for PLM100	11
27002-0125S	125 Sq. Ft. Replacement Module for PLM125	11.5
27002-0150S	150 Sq. Ft. Replacement Module for PLM150	12
27002-0175S	175 Sq. Ft. Replacement Module for PLM175	13
27002-0200S	200 Sq. Ft. Replacement Module for PLM200	14
27002-0300S	300 Sq. Ft. Replacement Module for PLM 300	19
U78-820P	2 in. x 1-1/2 in. Pipe Reducer Bushing	8 oz.
27001-0130S	Spring Check Valve	1

Dimensions and Performance



All dimensions shown in inches.



PLM100,
PLM125,
PLM150,
PLM175,
PLM200,
PLM300

**Certified to
NSF/ANSI Standard 50**

See page 404 for replacement parts.

POSI-CLEAR™ RP FILTERS

FIBERGLASS REINFORCED POLYPROPYLENE TANK



TRADEGRADE



Featured Highlights

- Certified to NSF/ANSI Standard 50
- Unionized connections
- Integrated continuous High Flow™ Internal Air Relief *
- Chemical resistant tank body
- Lock ring with spring-loaded safety latches
- Coreless cartridge for easy cleaning
- High Flow Manual Air Relief valve
- 1 in. drain and wash out
- Single piece base and body design

The Posi-Clear RP Filter features a chemical resistant tank with no-tool servicing and a coreless cartridge for easier cleaning. All models are equipped with easy spin-on unions for plumbing hook-ups. These filters are certified to NSF/ANSI Standard 50 and available in 100, 150, and 200 square foot sizes.

CALIFORNIA PROPOSITION 65 WARNING

⚠ **WARNING:** Cancer and Reproductive Harm.
 ⚠ **AVERTISSEMENT:** Peut Causer le Cancer et des Dommages au Système Reproducteur.
 ⚠ **ADVERTENCIA:** Cáncer y Daño Reproductivo.

www.p65warnings.ca.gov. PR300714

Ordering Information

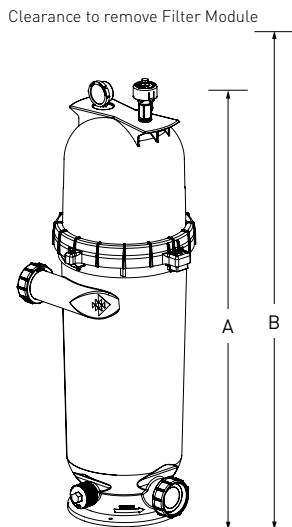
Product	Model	Effective Filtration Area (Sq. Ft.)	Flow Rate ¹ (GPM Res)	Turnover Capacity (In Gallons)			Carton Qty.	Carton Wt. (Lbs.)
				8 Hour	10 Hour	12 Hour		
POSI-CLEAR RP FILTERS								
160351	PXCRP100	100	100	48,000	60,000	72,000	1	33
160352	PXCRP150	150	150	72,000	90,000	108,000	1	35
160350	PXCRP200	200	150	72,000	90,000	108,000	1	35

¹ One GPM per sq. ft. shown recommended flow rate. .5 GPM per sq. ft.

Dimensions and Performance

Certified to NSF/ANSI Standard 50

Posi-Clear RP		
Model	A Dim	B Dim
160351	33"	61"
160352	40.5"	76"
160350	40.5"	76"



Note: Actual system flow will depend on plumbing size and other system components.

Note: Pentair does not recommend flow rates above 150 GPM.

* Integrated continuous High Flow internal air relief is operational only when there is unobstructed flow in the circulating system.

Note: Operating Limits – maximum continual operating pressure of 50 PSI. Pool/spa (bather) applications, maximum operating water temperature (internal filter) 104°F (40°C).

FULLFLOXF®

HIGH EFFICIENCY FILTERS

Featured Highlights

- Greater filtration reduces tiny particles for a sparkling pool experience
- Enhanced design and balanced flow enable 25% greater energy efficiency and lower operating cost*
- Ideal for large and premium pools, longer filtration cycles extend periods between cleanings
- Chemical-resistant, fiberglass tanks are designed for exceptional strength and durability
- 2.5 inch internal plumbing

The FullFloXF family of high efficiency pool filters offers greater filtration, easy maintenance and longer runs between cleanings.



TRADEGRADE

FV-Series Grid Style D.E. Filter

Ordering Information

Product	Model	Media Type	Filter Area (sq.Ft.)	Vertical Clearance**	Filter	Plumbing Size	Flow Rate (GPM)	Turnover Capacity (Gallons)		
								8 Hours	10 Hours	12 Hours
FULLFLOXF HIGH EFFICIENCY FILTERS										
160448	C620	Cartridge	620	76"	Cartridge	2.5-3"	180	86,400	108,000	129,600
188616	Q120	DE	120	76"	Cartridge Style D.E. Filter	2.5-3"	180	86,400	108,000	129,600
188621	F72	DE	72	92"	Grid Style D.E. Filter	2.5-3"	144	69,120	86,400	103,680
188624	FV60	DE	58	70"	Grid Style D.E. Filter	2"	116	55,680	69,600	83,520
188625	FV72	DE	72	76"	Grid Style D.E. Filter	2"	144	69,120	86,400	103,680

**Minimum clearance to remove lid and internal elements

**Certified to
NSF/ANSI Standard 50**

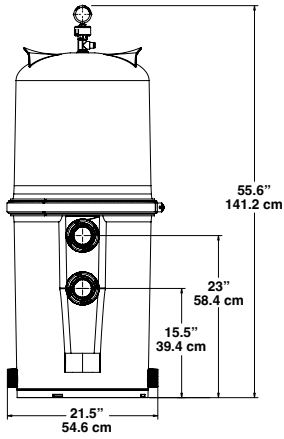
*Statements of filter performance are based on estimates. Actual performance may vary and is not guaranteed. Estimates for filter efficiency are based on the power required to pump 150 GPM of water through a Clean & Clear® Plus 520 filter using a IntelliFlo® VSF pump verses a FullFloXF C620 filter using a IntelliFlo VSF Pump.

CALIFORNIA PROPOSITION 65 WARNING
 ⚠️ **WARNING:** Cancer and Reproductive Harm.
 ⚠️ **AVERTISSEMENT:** Peut Causer le Cancer et des Dommages au Système Reproducteur.
 ⚠️ **ADVERTENCIA:** Cáncer y Daño Reproductivo.
www.p65warnings.ca.gov

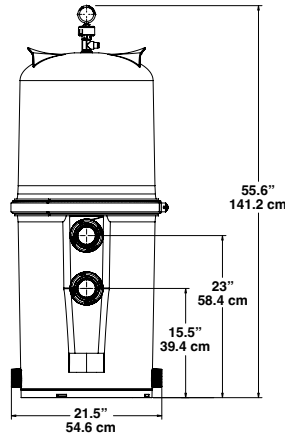
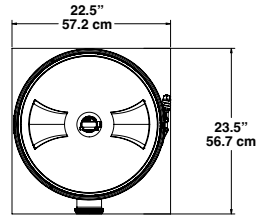
FULLFLOXF® (CONT'D)

HIGH EFFICIENCY FILTERS

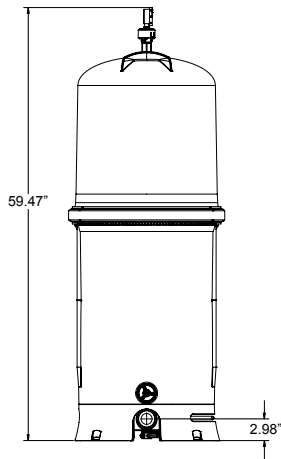
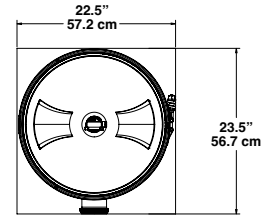
Dimensions and Performance



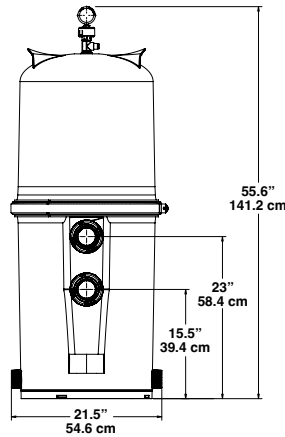
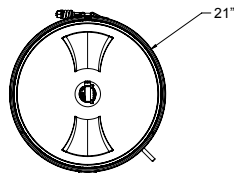
FullFloXF Q-Series



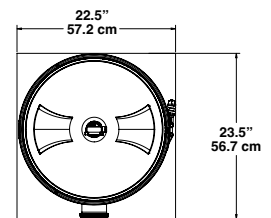
FullFloXF C-Series



FullFloXF FV-Series



FullFloXF F-Series



FNS® PLUS FILTERS

FIBERGLASS REINFORCED POLYPROPYLENE MATERIAL, VERTICAL GRID, D.E.

Featured Highlights

- Certified to NSF/ANSI Standard 50
- Service-Ease™ Grid Pack
- Continuous High Flow™ Internal Air Relief *
- Top-to-bottom backwash
- High Flow Manual Air Relief valve
- Tension Control™ Clamp
- 1-1/2 in. bottom clean out port
- 7-1/2 in. centerline bulkhead fittings

FNS Plus filters are fiberglass reinforced polypropylene of advanced chemical resistant materials for strength and reliability. The top manifold design features the Service-Ease grid pack for convenient one-at-a-time grid servicing.

TRADEGRADE



FNS Plus Filter

Valve adapters not included.

CALIFORNIA PROPOSITION 65 WARNING

⚠ **WARNING:** Cancer and Reproductive Harm.
 ⚠ **AVERTISSEMENT:** Peut Causer le Cancer et des Dommages au Système Reproducteur.
 ⚠ **ADVERTENCIA:** Cáncer y Daño Reproductivo.
www.p65warnings.ca.gov PN 202114

Ordering Information

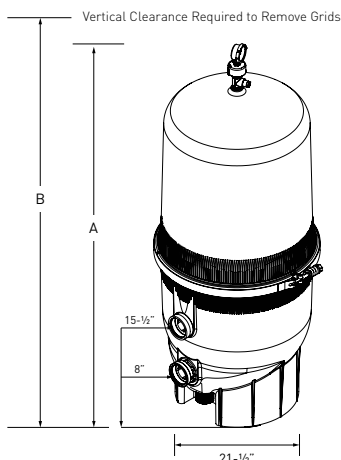
Product	Model	Effective Filtration Area (Sq. Ft.)	Flow Rate ¹ (GPM)	Turnover Capacity (In Gallons)			D.E. Required (Lbs.)	Carton Qty.	Carton Wt. (Lbs.)
				8 Hour	10 Hour	12 Hour			
FNS PLUS FILTERS									
180006	FNSP24	24	48	23,040	28,800	34,560	2.4	1	60
180007	FNSP36	36	72	34,560	43,200	51,840	3.6	1	70
180008	FNSP48	48	96	46,080	57,600	69,120	4.8	1	80
180009	FNSP60	60	120	57,600	72,000	86,400	6.0	1	90
FNS PLUS VALVE OPTIONS²									
263079	2 in. PVC Slide valve w/o bulkhead fitting							1	3
261049	2 in. HiFlow valve, no plumbing							1	7
261142	2 in. HiFlow valve with plumbing for FNS, FNS Plus, NSP filters							1	11
261152	2 in. MPV, threaded for FNS, FNS Plus, NSP filters							1	10
263064	Push pull valve, 7-1/2 in. Center, Almond PVC							1	6
261177	1-1/2 in. MPV, threaded for FNS, FNS Plus, NSP filters							1	7
263081	Valve for D.E., inlet port on bottom, Pentair 2 in. unions glued on XF Valve							1	12
270100	Valve Adaptor Kit 2" Black							1	1
271096	Valve Adaptor Kit 2" White							1	1
FNS PLUS REPLACEMENT GRID ELEMENTS									
198080	FNSP24 Element Only Replacement Pack (7 large, 1 small)			198082	FNSP48 Element Only Replacement Pack (7 large, 1 small)				
198081	FNSP36 Element Only Replacement Pack (7 large, 1 small)			198083	FNSP60 Element Only Replacement Pack (7 large, 1 small)				

¹ Flow rate is based on 2.0 GPM per sq. ft. of filter area. Actual system flow will depend on plumbing size and other system components.

² Valves must be purchased separately.

* Integrated continuous High Flow internal air relief is operational only when there is unobstructed flow in the circulating system.

Note: Operating Limits – maximum continual operating pressure of 50 PSI. Pool/spa (bather) applications, maximum operating water temperature (internal filter) 104°F (40°C).



Dimensions and Performance

Certified to NSF/ANSI Standard 50

Dimension Table

Product	A Dim.	B Dim.
180006	37"	48"
180007	43"	62"
180008	49"	74"
180009	55"	86"

See pages 410 for replacement parts.

EASYCLEAN™ FILTERS

FIBERGLASS REINFORCED POLYPROPYLENE TANK

TRADEGRADE



EasyClean Filter

The EasyClean Filter features a chemical resistant tank with no-tool servicing and a cored cartridge for easier cleaning. All models are equipped with easy spin-on-unions for plumbing hook-ups.

Featured Highlights

- Unionized connections
- Integrated continuous High Flow™ Internal Air Relief *
- Chemical resistant tank body
- Lock ring with spring-loaded safety latches
- High Flow manual air relief valve
- 1 in. drain and wash out
- Single piece base and body design

CALIFORNIA PROPOSITION 65 WARNING
 ⚠️ **WARNING:** Cancer and Reproductive Harm.
 ⚠️ **AVERTISSEMENT:** Peut Causer le Cancer et des Dommages au Système Reproducteur.
 ⚠️ **ADVERTENCIA:** Cáncer y Daño Reproductivo.
www.p65warnings.ca.gov PH 201714

Ordering Information

Product	Model	Effective Filtration Area (Sq. Ft.)	Vertical Clearance ¹	Flow Rate ² (GPM)	D.E. Required	Turnover Capacity (In Gallons)			Carton Qty.	Carton Wt. (Lbs.)
						8 Hour	10 Hour	12 Hour		
EASYCLEAN FILTERS										
188614	EC60	15	39 in.	60	1.3	28,000	36,000	43,000	1	26
188615	EC90	30	76 in.	90	2.4	43,200	54,000	64,800	1	35

¹ Required clearance to remove filter elements.

² Maximum flow rate.

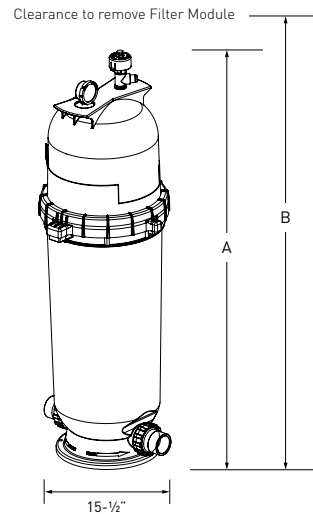
Dimensions and Performance

Note: Actual system flow will depend on plumbing size and other system components.

Note: Pentair does not recommend flow rates above 150 GPM.

* Integrated continuous High Flow internal air relief is operational only when there is unobstructed flow in the circulating system.

Note: Operating Limits – maximum continual operating pressure of 50 PSI. Pool/spa (bather) applications, maximum operating water temperature (internal filter) 104°F (40°C).



Model	A Dim	B Dim
188614	25-1/2 in.	39 in.
188615	40-1/2 in.	76 in.

QUAD D.E.® FILTERS

CARTRIDGE STYLE FILTER

TRADEGRADE

Featured Highlights

- Four large-capacity cartridges provide maximum filter surface area for greater dirt-trapping capacity and longer periods between cleanings
- Chemical resistant, fiberglass reinforced polypropylene tank for exceptional strength and long life
- Easily removable cartridge elements make maintenance fast and easy
- The efficient water flow through the Quad D.E. Filter may assist your pump in using less energy

Quad D.E. Filters combine quality filtration with the convenience and easy cleaning features usually found in a cartridge filter. Four easily accessible and removable D.E. cartridges simplify maintenance.



CALIFORNIA PROPOSITION 65 WARNING
 ⚠️ **WARNING:** Cancer and Reproductive Harm.
 ⚠️ **AVERTISSEMENT:** Peut Causer le Cancer et des Dommages au Système Reproducteur.
 ⚠️ **ADVERTENCIA:** Cáncer y Daño Reproductivo.
www.p65warnings.ca.gov

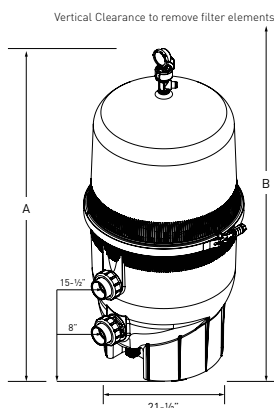
Ordering Information

Product	Model	Effective Filtration Area (Sq. Ft.)	Flow Rate (GPM)	Turnover Capacity (In Gallons)			D.E. Required (Lbs.)	Carton Qty.	Carton Wt. (Lbs.)
				8 Hour	10 Hour	12 Hour			
QUAD D.E. FILTERS									
188592	Quad D.E. 60	60	120	57,600	72,000	86,400	6.0	1	70
188593	Quad D.E. 80	80	160	76,800	96,000	115,200	8.0	1	80
188594	Quad D.E. 100	100	160	76,800	96,000	115,200	10.0	1	90
QUAD D.E. VALVE OPTIONS ¹									
261173	1-1/2 in. MPV, for Triton and Quad D.E. filters (SM 10-3)							1	3
263079	2 in. PVC Slide valve w/o plumbing, for D.E. & sand filters							1	7
261049	2 in. HiFlow valve, no plumbing							1	11
261050	2 in. HiFlow w/ plumbing, for Triton and Quad D.E. filters							1	10
261055	2 in. MPV, for Triton and Quad D.E. filters (SM 20-3)							1	5
263064	Push pull valve, 7-1/2 in. Center, Almond PVC							1	4
270100	Union Kit, 2 in. I.D. (For no valve assembly)							1	1
274426	Adapter Kit, 2-1/2 in. x 2 in.							1	1
263080	Valve for D.E., inlet port on bottom, Pentair 2 in. unions glued on XF Valve							1	12

¹ Valves must be purchased separately.

**Certified to
NSF/ANSI Standard 50**

Product	A Dim.	B Dim.
188592	43"	62"
188593	49"	68"
188594	56"	74"



Dimensions and Performance

Note: Actual system flow will depend on plumbing size and other system components.

Note: Pentair does not recommend flow rates above 150 GPM.

* Integrated continuous High Flow internal air relief is operational only when there is unobstructed flow in the circulating system.

Note: Operating Limits – maximum continual operating pressure of 50 PSI. Pool/spa (bather) applications, maximum operating water temperature (internal filter) 104°F (40°C).

See page 412 for replacement parts.

SYSTEM:2™ MODULAR D.E. FILTERS

PLD SERIES FILTERS



TRADEGRADE



System:2 Modular D.E. Filter
PLD Series

Featured Highlights

- Typical Installations – Inground pools and inground hot tubs
- Quality Construction – Durable two-piece tank housing constructed of rugged ABS thermoplastic to ensure a long-lasting tank life
- Easy Access – Posi-Ring Closure provides fast access to tank internals
- Innovative Design – The innovative balanced flow design first introduced with the System : 3 Mod Media filter is available in the smaller System:2 filter
- Low Maintenance – Complete media coverage combined with shallow pleats means greater dirt holding capabilities, resulting in longer filter cycles and less cleaning
- Modular Filter Tanks – Allows for quick change of filter medias without changing the tank

Sta-Rite delivers the benefits of D.E. filtration in a variation of their proven modular media technology. A single replaceable grid delivers improved water quality without the complex workings of other D.E. filters. Contemporary style and matte black finish looks attractive in any pool setting. The small diameter footprint makes the System:2 filter a great fit for new and retrofit installations. Filter includes 2 in. NPT Drain ports, which are provided with reducer bushing and 1-1/2 in. drain plug.

Ordering Information

Product	Effective Filter Area (Sq. Ft.)	Flow Rated ¹ at 1-2 GPM (per Sq. Ft.)	Turnover Capacity (Gallons) (Flow Rate x 60 x Hours)			Tank Port Size	D.E. ² Required (Lbs.)	Carton Wt. (Lbs.)
			6 Hour	8 Hour	10 Hour			
SYSTEM:2 MODULAR D.E. FILTER - PLD SERIES								
PLD50	30	30-60	11-22,000	14-29,000	18-36,000	2 in.	6 ³	37
PLD70	36	36-72	13-26,000	17-35,000	22-43,000	2 in.	4	38

¹ Based on NSF recommended flow rate for commercial at 1-2 GPM per square foot.

² Do not use more D.E. than shown here. Mixed results with D.E. alternatives.

³ PLD50 requires more D.E. than the PLD70 because of precoat design and flow characteristics.

Note: Operating Limits – maximum continual operating pressure of 50 PSI. Pool/spa (bather) applications, maximum operating water temperature (internal filter) 104°F (40°C).

CALIFORNIA PROPOSITION 65 WARNING

▲ **WARNING:** Cancer and Reproductive Harm.
▲ **AVERTISSEMENT:** Peut Causer le Cancer et des Dommages au Système Reproducteur.
▲ **ADVERTENCIA:** Cáncer y Daño Reproductivo.

www.p65warnings.ca.gov
PH 200714

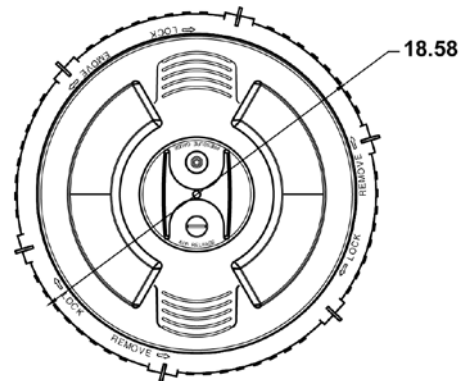
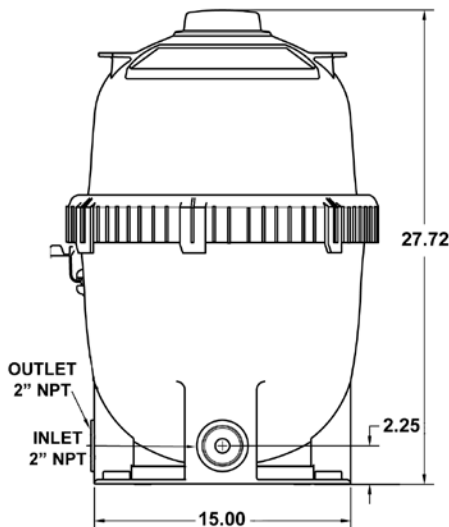
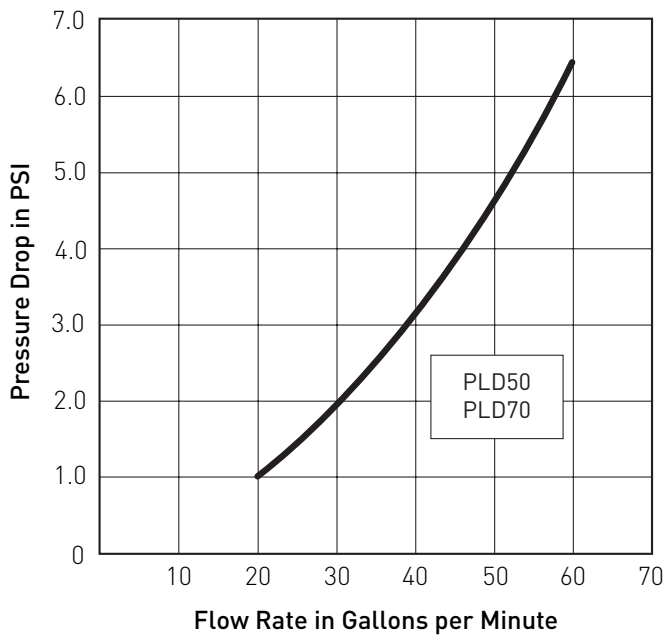
SYSTEM:2™ MODULAR D.E. FILTERS (CONT'D)

PLD SERIES FILTERS

Ordering Information

Product	Description	Carton Weight (Lbs.)
ACCESSORIES FOR SYSTEM:2 MODULAR D. E. FILTER - PLD SERIES		
27002-0030S	30 sq. ft. Replacement Module for PLD50	10
27002-0036S	36 sq. ft. Replacement Module for PLD70	10
U78-820P	2 in. x 1-1/2 in. Pipe Reducer Bushing	1
27001-0130S	Spring Check Valve	1

Dimensions and Performance



All dimensions shown in inches.

See page 414 for replacement parts.

SYSTEM:2™ MODULAR D.E. FILTERS

PLDE SERIES FILTERS



TRADEGRADE



System:2 Modular D.E. Filters
PLDE Series

Featured Highlights

- Typical Installations – Inground pools and inground hot tubs
- Quality Construction – Durable two-piece tank housing constructed of rugged ABS thermoplastic to ensure a long-lasting tank life
- Easy Access – Posi-Ring Locking Ring provides easy access to tank internals
- Innovative Design – The innovative, balanced-flow design – first introduced with the System 3 Mod Media filter is available in the smaller System:2 filter.
- The small diameter footprint makes the System:2 filter a great fit for new and retrofit installations
- Modular Filter Tanks – Allows for quick change of filter medias without changing the tank plumbing

Sta-Rite delivers the benefits of D.E. filtration in a variation of their proven modular media technology. A single replaceable grid delivers improved water quality without the complex workings of other D.E. filters. This innovative one-piece design is fully backwashable and can be plumbed with or without a backwash valve. 2 in. union valves are included for installations electing not to use a backwash valve. For deep-down cleaning, simply remove the filter lid and hose off in place. No more hassle of tearing down the grid assembly for cleaning and servicing. Contemporary style and matte black finish looks attractive in any pool setting.

CALIFORNIA PROPOSITION 65 WARNING

⚠ **WARNING:** Cancer and Reproductive Harm.
 ⚠ **AVERTISSEMENT:** Peut Causer le Cancer et des Dommages au Système Reproducteur.
 ⚠ **ADVERTENCIA:** Cáncer y Daño Reproductivo.

www.p65warnings.ca.gov. PR020714A

Ordering Information

Product	Effective Filter Area (Sq. Ft.)	Flow Rated ¹ at 1–2 GPM (per Sq. Ft.)	Turnover Capacity (Gallons) (Flow Rate x 60 x Hours)			Tank Port Size	D.E. ² Required (Lbs.)	Carton Wt. (Lbs.)
			6 Hour	8 Hour	10 Hour			
SYSTEM:2 MODULAR D.E. FILTER - PLDE SERIES								
PLDE36	36	36–72	13–26,000	17–35,000	22–43,000	2 in.	5.4	38
PLDE48	48	48–96	17–34,000	23–46,000	29–57,600	2 in.	7.2	46
PLDE VALVE OPTIONS³								
18202-0250	ABS 6-Position Valve with Union Connections – 1-1/2 in. Valve Port							5
18201-0300	ABS 6-Position Valve with Union Connections – 2 in. Valve Port							8
263053	VLV Push Pull, 7.81 in. center							12
262509	Valve with filter inlet port on top, no fittings, only valve							12

¹ Based on NSF recommended flow rate for commercial at 1–2 GPM per square foot.

² Do not use more D.E. than shown here. Mixed results with D.E. alternatives.

³ Valves must be purchased separately.

Note: Operating Limits – maximum continual operating pressure of 50 PSI. Pool/spa (bather) applications, maximum operating water temperature (internal filter) 104°F (40°C).

SYSTEM:2™ MODULAR D.E. FILTERS (CONT'D)

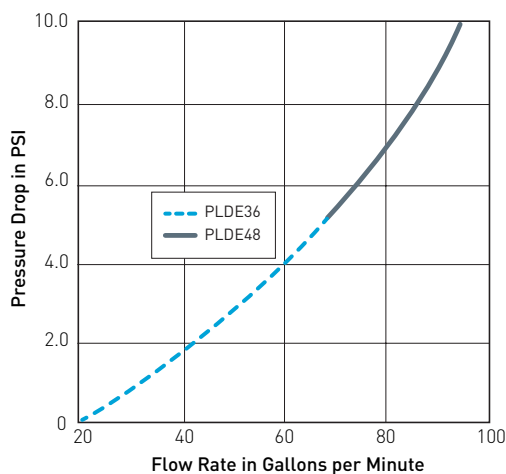
PLDE SERIES FILTERS

Ordering Information

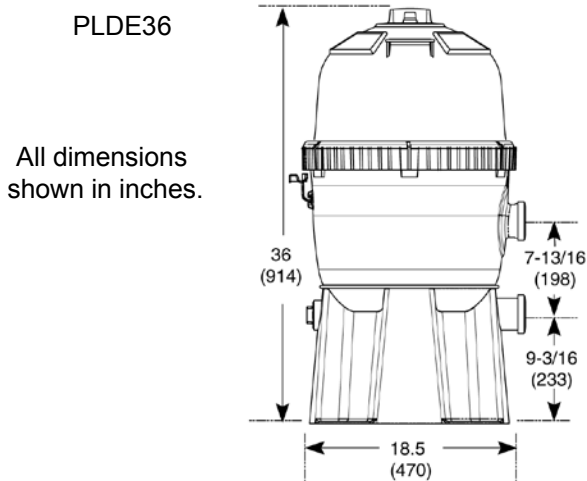
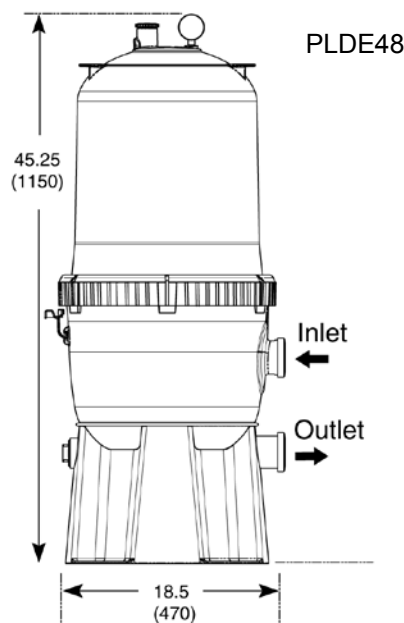
Product	Description	Carton Weight (Lbs.)
ACCESSORIES FOR SYSTEM:2 MODULAR D.E. FILTER - PLDE SERIES		
27002-0036S	36 sq. ft. Replacement Module for PLD50, PLDE36	10
27002-0048S	48 sq. ft. Replacement Module for PLDE48	11
PKG 188Z	2 in. Union Half x 2 in. Slip - Package of 2	1
77703-0101	2 in. Union Half x 1-1/2 in. Slip - Package of 2	1

Dimensions and Performance

PLDE SERIES FILTER PERFORMANCES				
PLDE36	35,000	36	54	5.4
PLDE48	46,000	48	72	7.2



**Certified to
NSF/ANSI Standard 50**



All dimensions shown in inches.

See page 415 for replacement parts.

SYSTEM:3® D.E. FILTERS

SD SERIES FILTERS



TRADEGRADE



System:3 D.E. Filters
SD Series

Featured Highlights

- Typical Installations – Inground pools, inground hot tubs, and water features
- Quality Construction – Durable two-piece tank housing constructed of Dura-Glas™, Sta-Rite's glass-reinforced composite resin
- Easy Access – Posi-Lok™ Clamps provides easy access to tank internals
- Innovative Design – 2 in. plumbing throughout combined with Sta-Rite's rectangular grid system provides D.E. filtration
- Low Maintenance – Easy backwash capabilities means less manual cleaning of the grids
- Dual Drain Plugs – Side plug assembly includes 1-1/2 in. NPT port for direct discharge plumbing
- Sleek Looks – Contemporary style and matte black finish looks attractive in any pool setting

D.E. is now more practical for all backyard pools as well. System:3 brings you the proven performance of Sta-Rite's diatomaceous earth media in an easy-to-operate filter.

Ordering Information

Product	Effective Filter Area (Sq. Ft.)	Flow Rated ¹ at 1-2 GPM (per Sq. Ft.)	Turnover Capacity (Gallons) (Flow Rate x 60 x Hours)			Tank Port Size	D.E. ² Required (Lbs.)	Carton Wt. (Lbs.)
			6 Hour	8 Hour	10 Hour			
SYSTEM:3 D. E. FILTERS - SD SERIES								
S7D75	37	37-74	13-27,000	18-36,000	22-44,000	2 in.	3.7	112
S8D110	53	53-106	19-38,000	26-51,000	32-64,000	2 in.	5.3	136
SD SERIES VALVE OPTIONS³								
18202-0150	ABS 6-Position Valve with Union Connections – 1-1/2 in. Valve Port							5
18201-0200	ABS 6-Position Valve with Union Connection – 2 in. Valve Port							8
263053	VLV Push Pull, 7.81 in. center							12
262508	Sta-Rite version for System 3 D.E. and Sand, inlet on bottom, with Sta-Rite offset adapters glued on							12
ACCESSORIES FOR SYSTEM:3 MODULAR D. E. FILTER - SD SERIES								
25021-1021	DE Conversion Kit – S7D75 - Grid Assembly and Valve Sold separately (new valve may be required)							18
25021-1025	DE Conversion Kit – S8D110 - Grid Assembly and Valve Sold separately (new valve may be required)							20

¹ Based on NSF recommended flow rate for commercial at 1-2 GPM per square foot.

² Do not use more D.E. than shown here. Mixed results with D.E. alternatives.

³ Valves must be purchased separately.

Note: Operating Limits – maximum continual operating pressure of 50 PSI. Pool/spa (bather) applications, maximum operating water temperature (internal filter) 104°F (40°C).

CALIFORNIA PROPOSITION 65 WARNING

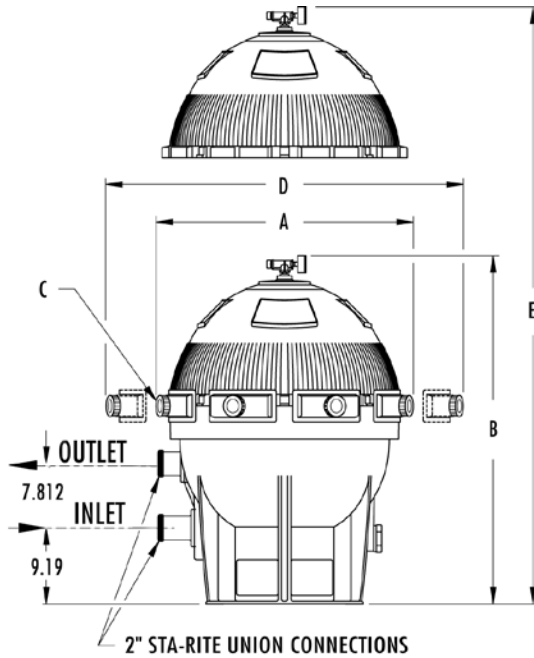
⚠ **WARNING:** Cancer and Reproductive Harm.
 ⚠ **AVERTISSEMENT:** Peut Causer le Cancer et des Dommages au Système Reproducteur.
 ⚠ **ADVERTENCIA:** Cáncer y Daño Reproductivo.
www.p65warnings.ca.gov PB 201514

SYSTEM:3® D.E. FILTERS (CONT'D)

SD SERIES FILTERS

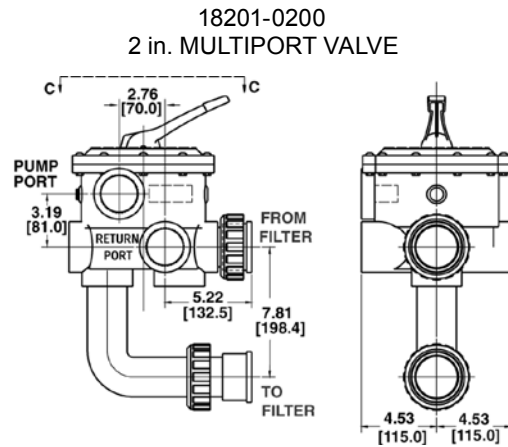
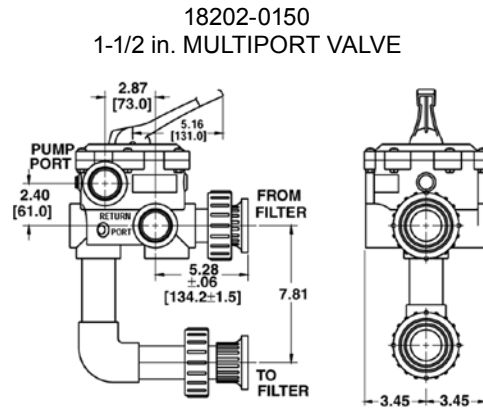
Dimensions and Performance

Certified to
NSF/ANSI Standard 50

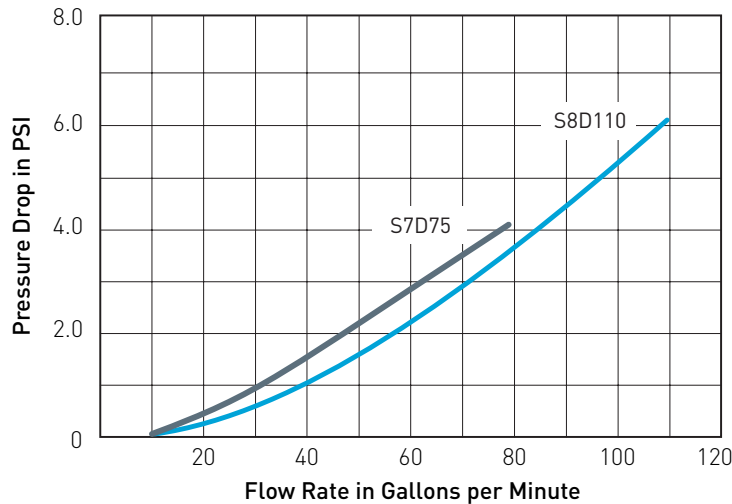


Catalog Number	DIMENSION				
	A	B	C	D	E
S7D75	28-1/2	42	7	36	50
S8D110	32-1/2	42-1/4	8	40	50

- A = width
 - B = height
 - C = number of clamps
 - D = area (width) needed to take off clamps
 - E = area (height) needed to remove top half of tank
- All dimensions shown in inches.



All dimensions shown in inches.



See page 416–417 for replacement parts.

SYSTEM:3® MODULAR D.E. FILTERS

SMD SERIES FILTERS



TRADEGRADE



System:3 Modular D.E. Filters
SMD Series

Featured Highlights

- Typical Installations – Inground pools, inground hot tubs, and water features
- Quality Construction – Durable two-piece tank housing constructed of Dura-Glas™, Sta-Rite's glass-reinforced composite resin
- Easy Access – Posi-Lok™ Clamps provides easy access to tank internals
- Modular Filter Tanks – Allows for quick change of filter medias without changing the tank
- Low Maintenance – Easy backwash capabilities means less manual cleaning of the grids
- Dual Drain Plugs – Side plug assembly includes 1-1/2 in. NPT port for direct discharge plumbing
- Sleek Looks – Contemporary style and matte black finish looks attractive in any pool setting

Sta-Rite is proud to bring you the proven technology of System:3 Modular Media into the world of D.E. With balanced flow and integral manifold design, the System:3 Modular D.E. filter brings pool filtration to new heights. Available in 2 sizes, 60 and 72 sq. ft., System:3 Modular Media D.E. filtration will bring years of sparkling water to your customer's pool or spa. For cleaning, simply remove filter lid and hose off in place. No more hassle of tearing down the grid assembly for cleaning and servicing. The balanced flow design allows for a constant D.E. cake on the entire module, assuring full optimization of the module and longer cycles between cleanings.

Ordering Information

Product	Effective Filter Area (Sq. Ft.)	Flow Rated ¹ at 1–2 GPM (per Sq. Ft.)	Turnover Capacity (Gallons) (Flow Rate x 60 x Hours)			Tank Port Size	D.E. Required (Lbs.)	Carton Wt. (Lbs.)
			6 Hour	8 Hour	10 Hour			
SYSTEM:3 MODULAR D.E. FILTERS - SMD SERIES								
S7MD60	60	60–120	21–32,400	28–43,200	36–54,000	2 in.	9	115
S7MD72	72	72–144	25–38,880	34–51,800	43–64,800	2 in.	11	117
SMD SERIES VALVE OPTIONS								
18201-0300	ABS 6-Position Valve with Union Connections – 2 in. Port Valve							8
263053	VLV Push Pull, 7.81 in. center							12
ACCESSORIES FOR SYSTEM:3 MODULAR D.E. FILTER - SMD SERIES								
25023-0160S	60 sq. ft. Replacement D.E. Element							20
25023-0172S	72 sq. ft. Replacement D.E. Element							21
PKG 188Z	Union x 2 in. Slip Adapter – Pkg. of 2							1
PKG 189	Union x 2 in. FPT Adapter – Pkg. of 2							1
23910-1100S	System 3 Modular D.E. Conversion Kit (replacement element required; new valve may be required)							3

¹ Based on NSF recommended flow rate for commercial at 1–2 GPM per square foot.

Note: Operating Limits – maximum continual operating pressure of 50 PSI. Maximum operating water temperature (internal filter) 104°F (40°C).

CALIFORNIA PROPOSITION 65 WARNING

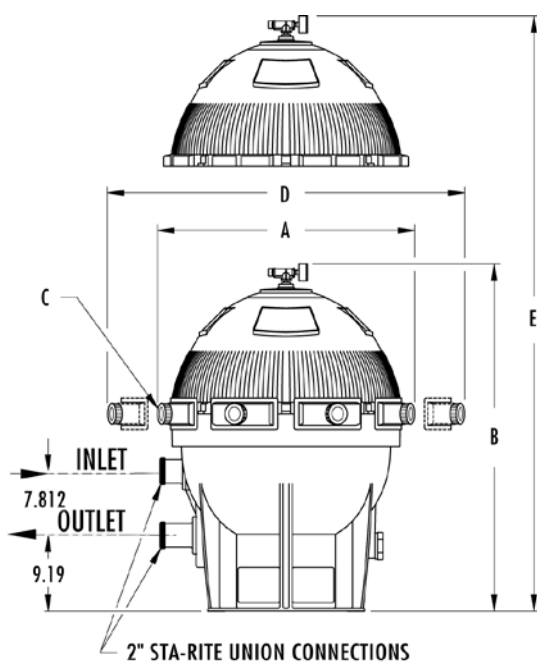
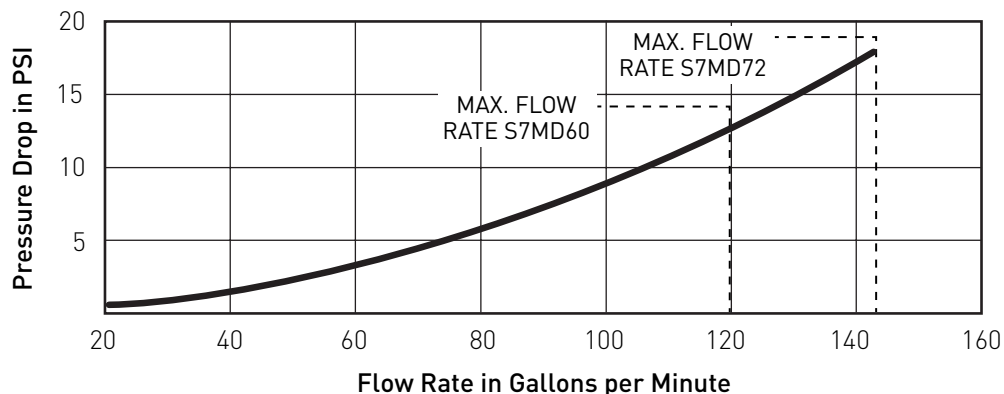
▲ **WARNING:** Cancer and Reproductive Harm.
▲ **AVERTISSEMENT:** Peut Causer le Cancer et des Dommages au Système Reproducteur.
▲ **ADVERTENCIA:** Cáncer y Daño Reproductivo.

www.p65warnings.ca.gov
PH 201714

SYSTEM:3[®] MODULAR D.E. FILTERS (CONT'D)

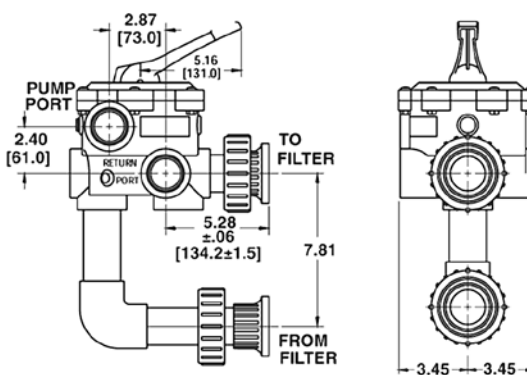
SMD SERIES FILTERS

Dimensions and Performance



18201-0300
2 in. MULTIPORT VALVE

**Certified to
NSF/ANSI Standard 50**



18201-0300
2 in. SLIDE VALVE

DIMENSION

Catalog Number	A	B	C	D	E
S7MD60	28-1/2	42	7	36	50
S7MD72	28-1/2	42	7	36	50

- A = width
- B = height
- C = number of clamps
- D = area (width) needed to take off clamps
- E = area (height) needed to remove top half of tank

All dimensions shown in inches.

See page 418 for replacement parts.

D.E. SEPARATION TANK 100



Separation Tank 100

Featured Highlights

Quarter turn locking-ring provides quick and easy access for removing debris bag. Offers 2 x 2-1/2 inch unionized fittings. Debris bag holds up to 10 lbs of D.E.

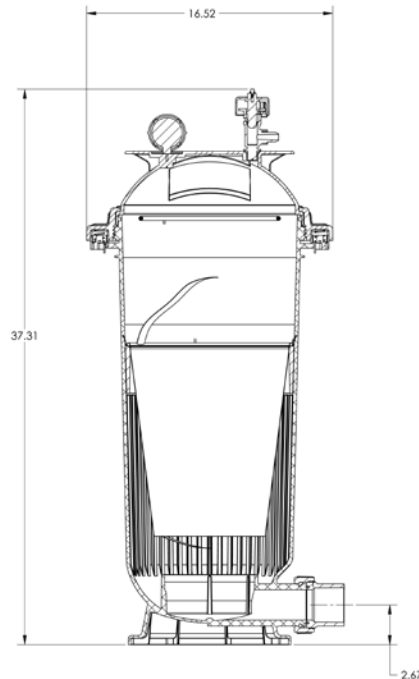
CALIFORNIA PROPOSITION 65 WARNING

⚠️ **WARNING:** Cancer and Reproductive Harm.
 ⚠️ **AVERTISSEMENT:** Peut Causer le Cancer et des Dommages au Système Reproducteur.
 ⚠️ **ADVERTENCIA:** Cáncer y Daño Reproductivo.
www.p65warnings.ca.gov

Ordering Information

Product	Pipe For Filters	Connections	Carton Wt. (Lbs.)
D.E. SEPARATION TANK			
300005	100 sq. ft.	2 x 2-1/2 in. SLIP	30

Dimensions and Performance



SECTION A-A

See page 431 for replacement parts.

TRITON® II, TAGELUS® & SAND DOLLAR® FILTERS

WITH CLEARPRO TECHNOLOGY®

Featured Highlights

- All the same, great features of the Triton II, Tagelus and Sand Dollar Filters
- Helps improve water quality
- Max water temperature for Sand Dollar is 95° F

CALIFORNIA PROPOSITION 65 WARNING
 ⚠️ **WARNING:** Cancer and Reproductive Harm.
 ⚠️ **AVERTISSEMENT:** Peut Causer le Cancer et des Dommages au Système Reproducteur.
 ⚠️ **ADVERTENCIA:** Cáncer y Daño Reproductivo.
www.p65warnings.ca.gov

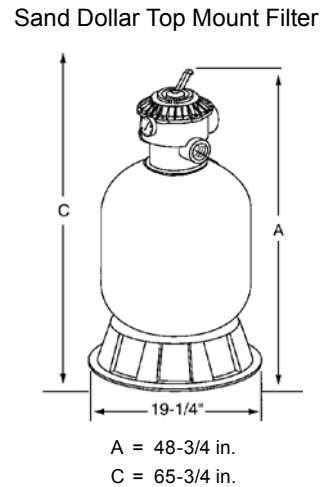
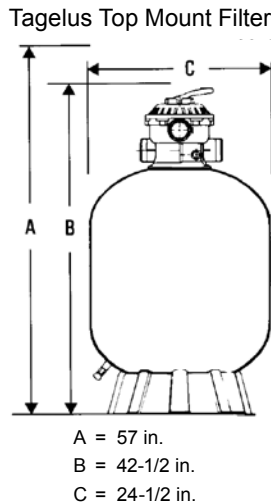
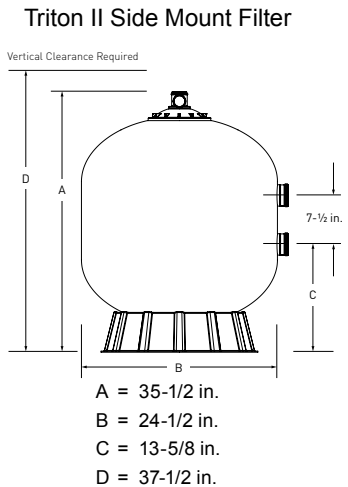


Ordering Information

Product	Model	Effective Filtration Area (Sq. Ft.)	Max. Press (PSI)	Flow Rate (GPM)	Turnover Capacity (In Gal.)			Filter Media		All Sand Req'd (Lbs.)	Ctn Qty.	Ctn Wt. (Lbs.)
					8 Hour	10 Hour	12 Hour	Pea Gravel Required (Lbs.)	Sand Req'd (Lbs.)			
TRITON II SAND FILTERS												
140212	TR 60	3.14	50	63	30,240	37,800	45,360	75	250	325	1	40
TAGELUS FILTERS												
145201	TA 60D	3.1	50	60	28,800	36,000	43,200	N/A	N/A	325	1	30
145389*	TA 60D	3.1	50	60	28,800	36,000	43,200	N/A	N/A	325	1	30
SAND DOLLAR FILTERS												
145300	SD 80	3.5	50	75	36,000	45,000	54,000	N/A	N/A	350	1	76
145388*	SD80	3.5	50	75	36,000	45,000	54,000	N/A	N/A	350	1	76
145390	CFII26 w 2" Hybrid Vlv											

* with 2 in. valve

Dimensions and Performance



SAND DOLLAR® TOP MOUNT FILTER

THERMOPLASTIC TANK WITH CLAMP STYLE MULTIPORT VALVE

TRADEGRADE



SD80
with 2 in. valve

Sand Dollar Top Mount Filter

Featured Highlights

- Six-position, top-mounted multiport valve
- Combination water and sand drain makes servicing and winterizing fast and easy

The one piece Sand Dollar filter features a clamp style, six-position multiport valve. Special lateral design provides flow characteristics and extended filter cycles to aid economical operation.

* Max water temperature for Sand Dollar 95° F

CALIFORNIA PROPOSITION 65 WARNING

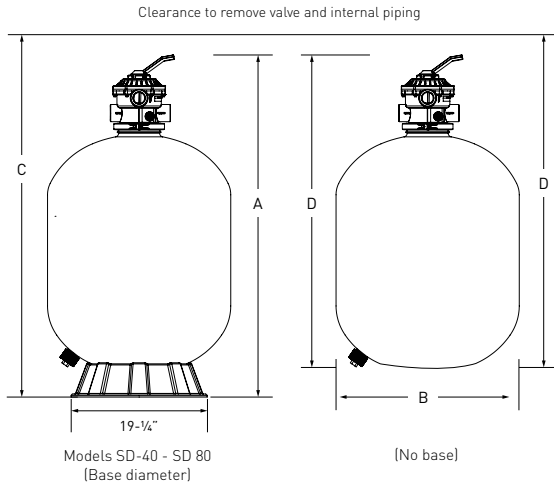
⚠ **WARNING:** Cancer and Reproductive Harm.
 ⚠ **AVERTISSEMENT:** Peut Causer le Cancer et des Dommages au Système Reproducteur.
 ⚠ **ADVERTENCIA:** Cáncer y Daño Reproductivo.
www.p65warnings.ca.gov

Ordering Information

Product	Model	Effective Filtration Area (Sq. Ft.)	Max. Pressure (PSI)	Flow Rate (GPM)	Turnover Capacity (In Gallons)			All Sand Required (Lbs.)	Carton Qty.	Carton Wt. (Lbs.)
					8 Hour	10 Hour	12 Hour			
SAND DOLLAR FILTERS										
145315	SD 35	1.4	30	35	16,800	21,000	25,200	100	1	22
145320	SD 40	1.8	35	40	19,200	24,000	28,800	150	1	24
145322	SD 60	2.3	40	60	28,800	36,000	43,200	250	1	28
145367	SD 70	3.15	50	70	33,600	42,000	54,000	300	1	58
145333	SD80	3.5	50	75	36,000	45,000	54,000	350	1	76
145386*	SD80 2 in.	3.5	50	75	36,000	45,000	54,000	350	1	76

Dimensions and Performance

* with 2 in. valve



DIMENSION TABLE

Model	A DIM.	B DIM.	C DIM.	D DIM.	E DIM.
SD 35	33-1/2 in.	16-1/2 in.	37 in.	30-3/4 in.	34-1/4 in.
SD 40	37-3/4 in.	19-1/2 in.	46-1/4 in.	35 in.	43-1/2 in.
SD 60	43-3/4 in.	22-1/2 in.	52-1/2 in.	40-3/4 in.	49-1/4 in.
SD 70	46-1/4 in.	24 in.	57 in.	43-1/4 in.	53-3/4 in.
SD 80	48-3/4 in.	26 in.	65-3/4 in.	45-5/8 in.	62-1/2 in.

TAGELUS® TOP MOUNT FILTER

FIBERGLASS TANK WITH MULTIPOINT VALVE, CLAMP STYLE

Featured Highlights

- Special lateral design provides flow characteristics and extended filter cycles to aid economical operation
- Maximum Operating Pressure 50 psi
- Combination water and sand drain makes servicing and winterizing fast and easy
- 40 and 60D models standard with plastic clamp

Our process creates a one-piece, fiberglass reinforced tank with strength and durability. Tagelus filters are equipped with a six-position, clamp style, top-mounted multiport valve.

CALIFORNIA PROPOSITION 65 WARNING

⚠ **WARNING:** Cancer and Reproductive Harm.
⚠ **AVERTISSEMENT:** Peut Causer le Cancer et des Dommages au Système Reproducteur.
⚠ **ADVERTENCIA:** Cáncer y Daño Reproductivo.
www.p65warnings.ca.gov

TRADEGRADE



TA60D
with 2 in. valve

Tagelus Top Mount Filter
(Unions sold separately)

Ordering Information

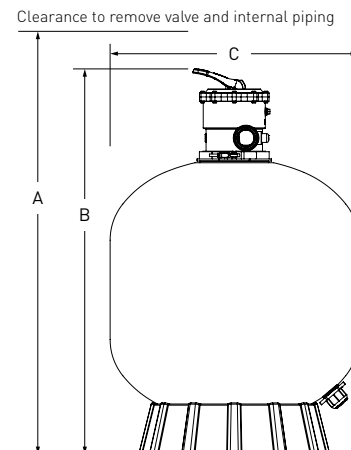
Product	Model	Effective Filtration Area (Sq. Ft.)	Flow Rate (GPM)	Turnover Capacity (In Gallons)			All Sand Required (Lbs.)	Carton Qty.	Carton Wt. (Lbs.)
				8 Hour	10 Hour	12 Hour			
TAGELUS FILTERS									
144126	TA 40D	1.8	40	19,200	24,000	28,800	175	1	30
145241	TA 60D	3.1	60	28,800	36,000	43,200	325	1	38
145240	TA 100D	4.9	100	48,000	60,000	72,000	600	1	78
145385*	TA60D(2)	3.1	60	28,800	36,000	43,200	325	1	38

Note: Operating Limits – maximum continual operating pressure of 50 PSI. Maximum operating water temperature (internal filter) 104°F (40°C). Unions shown in product image above sold separately.

* with 2 in. valve

Dimensions and Performance

MODEL	A. DIM.	B DIM.	C DIM.
TA 40D	47 in.	37 in.	19-1/2 in.
TA 60D	57 in.	42-1/2 in.	24-1/2 in.
TA 100D	65-1/2 in.	47-1/4 in.	30-1/2 in.



See page 421–422 for replacement parts.

TRITON® II SIDE MOUNT FILTERS

FIBERGLASS SAND FILTER WITHOUT VALVES

TRADEGRADE



Triton II Side Mount Filter
(Unions not included)

The original and still the industry standard. Our process creates a one-piece, fiberglass reinforced tank with UV resistant surface finish for years of strength and durability. This method locks in fiberglass, preventing fibers from “blooming” under harsh conditions.

Featured Highlights

- Heavy-duty closure provides easy inspection, and features an easy-to-read pressure gauge with air relief valve
- Swing-away diffuser allows instant access to sand and all internal parts
- All internal parts are threaded for ease of service
- Internal air bleed
- Bulkhead connectors are threaded for easy installation and service
- Combination sand and water drain makes servicing and winterizing fast and easy
- Maximum Operating Pressure 50 psi

CALIFORNIA PROPOSITION 65 WARNING

⚠ **WARNING:** Cancer and Reproductive Harm.
 ⚠ **AVERTISSEMENT:** Peut Causer le Cancer et des Dommages au Système Reproducteur.
 ⚠ **ADVERTENCIA:** Cáncer y Daño Reproductivo.
www.p65warnings.ca.gov

Ordering Information

Product	Model	Effective Filtration Area (Sq. Ft.)	Flow Rate (GPM Comm)	Turnover Capacity (In Gal.)			Filter Media		All Sand Req'd (Lbs.)	Ctn Qty.	Ctn Wt. (Lbs.)
				8 Hour	10 Hour	12 Hour	Pea Gravel Req'd (Lbs.)	Sand Req'd (Lbs.)			
TRITON II SAND FILTERS											
140236	TR 40	1.92	38	18,240	22,800	27,360	50	125	175	1	25
140264	TR 60	3.14	63	30,240	37,800	45,360	75	250	325	1	40
140210	TR 100	4.91	74	35,520	44,400	53,280	150	450	600	1	65
140243	TR 140	7.06	106	50,880	63,600	76,320	275	650	925	1	75
TRITON II VALVE OPTIONS ¹											
261173	1-1/2 in. MPV, for sand filters (SM 10-3)									1	6
263079	2 in. PVC Slide valve w/o plumbing, for D.E. & sand filters									1	3
261049	2 in. HiFlow valve, no plumbing									1	7
261050	2 in. HiFlow w/ plumbing, for sand filters									1	11
261055	2 in. MPV, for sand filters (SM 20-3)									1	10
263064	Push Pull 7-1/2 in. Center Valve, Almond PVC									1	5
263080	Valve for Sand and Quad D.E., inlet port on top, Pentair 2 in. unions glued on XF Valve									1	10

¹ Valves must be purchased separately.

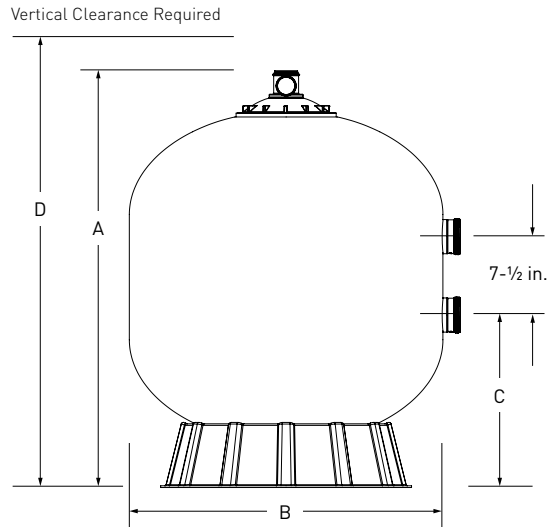
Note: Operating Limits – maximum continual operating pressure of 50 PSI. Maximum operating water temperature (internal filter) 104°F (40°C).

TRITON® II SIDE MOUNT FILTERS (CONT'D)

FIBERGLASS SAND FILTER WITHOUT VALVES

Dimensions and Performance

Certified to
NSF/ANSI Standard 50



DIMENSION TABLE

MODEL	A. DIM.	B DIM.	C DIM.	D DIM.
TR 40	30-1/2 in.	19-1/2 in.	10-3/4 in.	32-1/2 in.
TR 50	34-3/4 in.	21-1/2 in.	11-7/8 in.	36-3/4 in.
TR 60	35-1/2 in.	24-1/2 in.	13-5/8 in.	37-1/2 in.
TR 100	39-3/4 in.	30-1/2 in.	16-1/4 in.	41-3/4 in.
TR 140	45-1/4 in.	36-1/2 in.	18-3/4 in.	47-1/4 in.

CRISTAL-FLO™ II TOP-MOUNT FILTERS

HIGH RATE SAND FILTERS



TRADEGRADE



Cristal-Flo II
Top-Mount Filters

Featured Highlights

- Quality Construction – Durable one-piece extra-thick molded polyethylene tank
- 6-Position Valve – Allows you to perform all necessary water movement functions.
- Large Drain Plug – Large drain plug is easy to get at for removing and installing by hand or with tools if required
- Sleek Looks – Contemporary style with a textured black finish that provides great performance in all weather conditions
- Innovative - Integrated continuous High Flow™ Internal Air Relief *

For residential inground or aboveground swimming pools requiring turnover through 54,000 gallons, at flow rates up to 20 GPM for 8 to 10 hours. Permanent media high rate sand filters in 16 in., 19 in., 22 in., 24 in. and 26 in. diameter models accommodate large and small pools, offering a combination of performance, durability and ease of maintenance. Corrosion-resistant, one-piece, extra-thick molded polyethylene tank assures long service life. Top-mounted, corrosion-resistant multiport selector valve included. Also includes a convenient tank winterizing drain and continuous air relief system. *Max Operating Temp 95°F

CALIFORNIA PROPOSITION 65 WARNING

⚠️ **WARNING:** Cancer and Reproductive Harm.
 ⚠️ **AVERTISSEMENT:** Peut Causer le Cancer et des Dommages au Système Reproducteur.
 ⚠️ **ADVERTENCIA:** Cáncer y Daño Reproductivo.

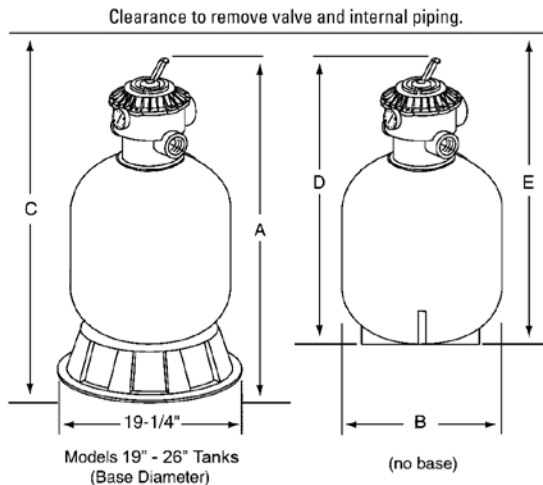
www.p65warnings.ca.gov

Ordering Information

Product	Effective Filtration Area (Sq. Ft.)	Max. Pressure (PSI)	Flow Rate (GPM)	Turnover Capacity (In Gallons)			All Sand Required (Lbs.)	Carton Qty.	Carton Wt. (Lbs.)
				8 Hour	10 Hour	12 Hour			
CRISTAL-FLO II FILTERS									
145359	1.4	30	35	16,800	21,000	25,200	100	1	22
145360	1.8	35	40	19,200	24,000	28,800	150	1	24
145361	2.3	40	60	28,800	36,000	43,200	250	1	28
145362	3.15	50	70	33,600	42,000	54,000	300	1	58
145363	3.5	50	75	36,000	45,000	54,000	350	1	76
145387*	3.5	50	75	36,000	45,000	54,000	350	1	76

* with 2 in. valve

Dimensions and Performance



DIMENSION TABLE

Model	A DIM.	B DIM.	C DIM.	D DIM.	E DIM.
145359	33-1/2 in.	16-1/2 in.	37 in.	30-3/4 in.	34-1/4 in.
145360	37-3/4 in.	19-1/2 in.	46-1/4 in.	35 in.	43-1/2 in.
145361	43-3/4 in.	22-1/2 in.	52-1/2 in.	40-3/4 in.	49-1/4 in.
145362	46-1/4 in.	24 in.	57 in.	43-1/4 in.	53-3/4 in.
145363	48-3/4 in.	26 in.	65-3/4 in.	45-5/8 in.	62-1/2 in.
145387	48-3/4 in.	26 in.	65-3/4 in.	45-5/8 in.	62-1/2 in.

* Integrated continuous High Flow internal air relief is operational only when there is unobstructed flow in the circulating system.

See page 425 for replacement parts.

SYSTEM:3® SAND FILTERS

SS SERIES FILTERS



TRADEGRADE

Featured Highlights

- Typical Installations – Inground pools, inground hot tubs, and water features
- Quality Construction – Durable two-piece tank housing constructed of Dura-Glas™, Sta-Rite's glass-reinforced composite resin
- Innovative Design – The innovative design of the System : 3 tank combined with the lateral/hub assembly produces a balanced flow of water and deeper sand bed penetration
- Dual Drain Plugs – Side plug helps make sand removal easy, while the bottom plug comes with integral screen for easy draining without the loss of sand
- Sleek Looks – Contemporary style and matte black finish looks attractive in any pool setting



System:3 Sand Filters
SS Series

System:3 brings you the proven performance of Sta-Rite's sophisticated sand filter hydraulics in an easier-to-operate filter. Highly efficient, its sophisticated design yields a uniform flow pattern through a deeper sand bed. Modular filter tanks allows for quick change of filter medias without changing the tank. Contemporary style and matte black finish looks attractive in any pool setting.

Ordering Information

Product	Filter Area (Sq. Ft.)	Flow Rated ¹ at 15–20 GPM (per Sq. Ft.)	Turnover Capacity (Gallons) (Flow Rate x 60 x Hours)			Tank Port Size	Sand ² Required (Lbs.)	Carton Wt. (Lbs.)
			6 Hour	8 Hour	10 Hour			
SYSTEM:3 SAND FILTERS - SS SERIES								
S7S50	2.4	36–48	13–17,000	17–23,000	22–29,000	2 in.	200	103
S8S70	3.4	51–68	18–25,000	25–33,000	31–41,000	2 in.	300	121
SS SERIES VALVE OPTIONS³								
18202-0150	ABS 6-Position Valve with Union Connections – 1-1/2 in. Valve Port							5
18201-0200	ABS 6-Position Valve with Union Connections – 2 in. Valve Port							8
263053	VLV Push Pull, 7.81 in. center							4
262508	FullFloXF for System 3 D.E. and Sand, inlet on bottom, with Sta-Rite offset adapters glued on							10
ACCESSORIES FOR SS SERIES								
25021-2021	Sand Conversion Kit – S7S50 - Collector Assembly and Valve Sold Separately (new valve may be required)							5
25021-2025	Sand Conversion Kit – S8S70 - Collector Assembly and Valve Sold Separately (new valve may be required)							6

¹ Based on NSF recommended flow rate for commercial at 15–20 GPM per square foot.

² Use only #20 white quartz silica sand, size range 0.40–0.55 mm; 12 in. to 15 in. sand bed depth required.

³ Valves must be purchased separately.

Note: Operating Limits – maximum continual operating pressure of 50 PSI. Pool/Spa (bather) applications, maximum water temperature (internal filter) 104°F (40°C).

CALIFORNIA PROPOSITION 65 WARNING

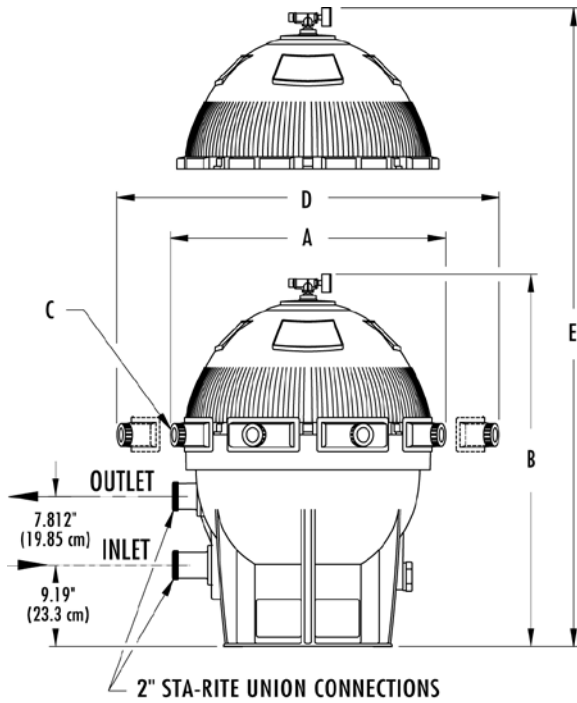
⚠ **WARNING:** Cancer and Reproductive Harm.
 ⚠ **AVERTISSEMENT:** Peut Causer le Cancer et des Dommages au Système Reproducteur.
 ⚠ **ADVERTENCIA:** Cáncer y Daño Reproductivo.

www.p65warnings.ca.gov. PA020174A

SYSTEM:3® SAND FILTERS (CONT'D)

SS SERIES FILTERS

Dimensions and Performance

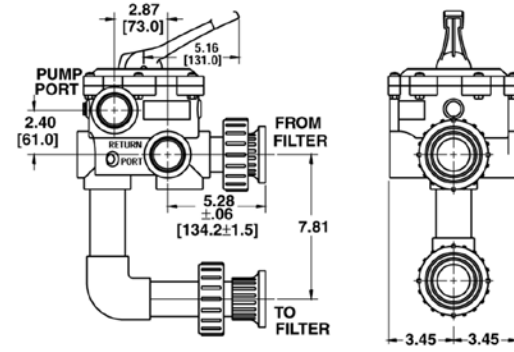


Catalog Number	DIMENSION				
	A	B	C	D	E
S7S50	28-1/2	42	7	36	50
S8S70	32-1/2	42-1/4	8	40	50

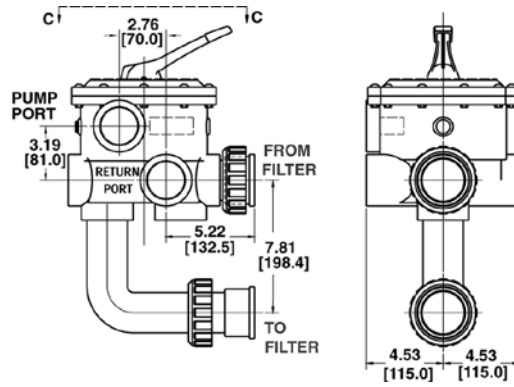
- A = width
 - B = height
 - C = number of clamps
 - D = area (width) needed to take off clamps
 - E = area (height) needed to remove top half of tank
- All dimensions shown in inches.

**Certified to
NSF/ANSI Standard 50**

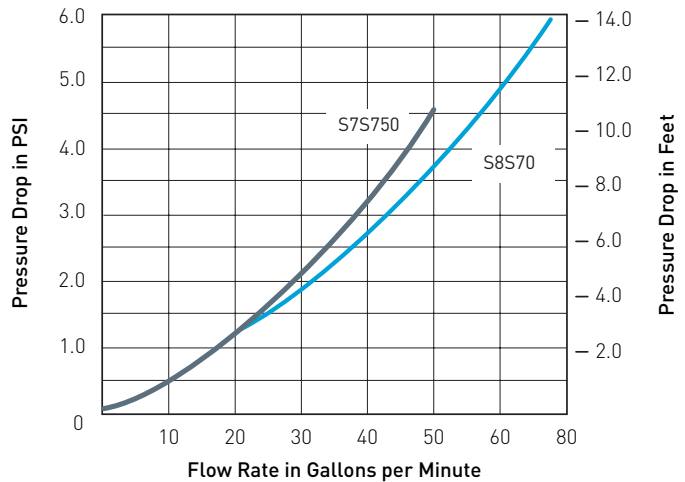
18202-0150
1-1/2 in. MULTIPORT VALVE



18201-0200
2 in. MULTIPORT VALVE



All dimensions shown in inches.



See page 426 for replacement parts.

STARK™ SS SERIES FILTERS

HORIZONTAL SAND FILTRATION SYSTEMS

Featured Highlights

- All vessel models are NSF 50 certified
- End-manways provide easy access for service and maintenance
- Schedule 80 Face Piping is fully assembled in our factory for ease of installation
- Stark valves and several control options make backwashing simple
- Unparalleled tank construction and exterior all-weather coating



CALIFORNIA PROPOSITION 65 WARNING
 ⚠️ **WARNING:** Cancer and Reproductive Harm.
 ⚠️ **AVERTISSEMENT:** Peut Causer le Cancer et des Dommages au Système Reproducteur.
 ⚠️ **ADVERTENCIA:** Cáncer y Daño Reproductivo.
www.p65warnings.ca.gov PA120174

The Stark SS Series Filter Systems are designed with ease of installation, maintenance and minimal floor space in mind. Vessels are side-by-side, with manway access on the ends and all piping above the vessel(s). All piping ships fully solvent-welded and pre-assembled to ensure fit. 100 psi vessel pressure rating.

Ordering Information

CAPACITY INFORMATION												
# Tanks	*System Number	Tank Size	Filtration Area (Sq. Ft.)	Flow (GPM) 12 gpm/sf	Flow (GPM) 15 gpm/sf	Backwash Valve			Total Media (cu ft)	Operating Weight (lbs.)	Shipping Weight (lbs.)	
						Size/Type	'W'	'L'				'Hs'
1	RS1-60-04	36" x 60"	13.5	162	203	4"	38"	63"	68"	15.5	4,600	845
	RS1-72-04	36" x 72"	17.2	206	258	4"	38"	75"	68"	19.0	5,500	915
	SS1-48-04	42" x 48"	12.8	154	192	4"	44"	51"	74"	16.5	4,900	805
	SS1-72-06	42" x 72"	20.0	240	300	6"	44"	75"	86"	26.0	7,500	1,105
	SS1-96-06	42" x 96"	27.0	324	405	6"	44"	99"	86"	36.0	9,800	1,240
2	RS2-60-06	36" x 60"	27.0	324	405	4"	77"	63"	70"	31.0	9,400	1,650
	RS2-72-06	36" x 72"	34.4	413	516	4"	77"	75"	70"	38.0	11,000	1,830
	SS2-48-06	42" x 48"	25.6	307	384	4"	90"	51"	76"	33.0	10,000	1,650
	SS2-72-06	42" x 72"	40.0	480	600	6"	90"	75"	87"	52.0	14,800	2,060
	SS2-96-06	42" x 96"	54.0	648	810	6"	90"	99"	87"	72.0	19,400	2,380
3	RS3-60-06	36" x 60"	40.5	486	608	4"	116"	63"	70"	46.5	14,200	2,420
	RS3-72-06	36" x 72"	51.6	619	774	4"	116"	75"	70"	57.0	16,800	2,670
	SS3-48-06	42" x 48"	38.4	461	576	4"	136"	51"	76"	49.5	14,900	2,420
	SS3-72-08	42" x 72"	60.0	720	900	6"	136"	75"	88"	78.0	22,400	3,140
	SS3-96-08	42" x 96"	81.0	972	1215	6"	136"	99"	88"	108.0	29,400	3,620
4	RS4-60-06	36" x 60"	54.0	648	810	4"	155"	63"	70"	62.0	18,900	3,200
	RS4-72-08	36" x 72"	68.8	826	1032	4"	155"	75"	76"	76.0	22,300	3,560
	SS4-48-06	42" x 48"	51.2	614	768	4"	182"	51"	76"	66.0	19,900	3,200
	SS4-72-08	42" x 72"	80.0	960	1200	6"	182"	75"	88"	104.0	30,200	4,470
	SS4-96-10	42" x 96"	108.0	1296	1620	6"	182"	99"	88"	144.0	39,900	5,145
5	SS5-72-10	42" x 72"	100.0	1200	1500	6"	229"	75"	88"	130.0	38,400	5,650
	SS5-96-10	42" x 96"	135.0	1620	2025	6"	229"	99"	88"	180.0	49,900	6,450
6	SS6-72-10	42" x 72"	120.0	1440	1800	6"	275"	75"	88"	156.0	46,000	6,800
	SS6-96-12	42" x 96"	162.0	1944	2430	6"	275"	99"	97"	216.0	60,800	7,900

STARK™ SS SERIES FILTERS (CONT'D)

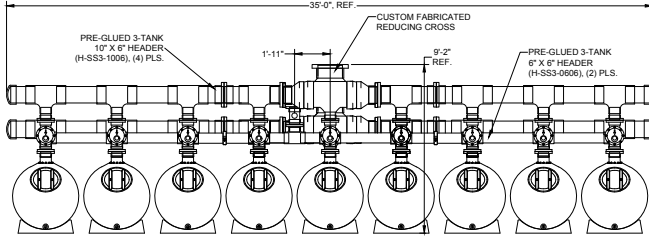
HORIZONTAL SAND FILTRATION SYSTEMS

Dimensions and Performance



Shell & Winding: Robust Dual-Wall Construction for piece of mind and long service life. Entire vessel including domes is wound on a computer-controlled, multi-axis machine.

Custom Systems Available for your Application.



SS Series Systems Include:

- Manway viewport standard on all Stark tanks
- Stark backwash valves (1 per tank)
- Pre-glued piping utilizing grooved couplings
- Stark diaphragm-style priority valve (on dual-tank systems)

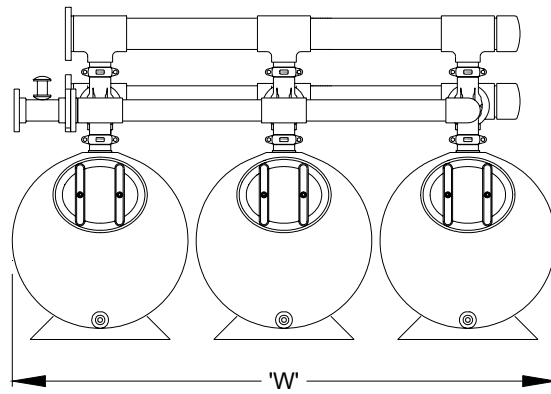
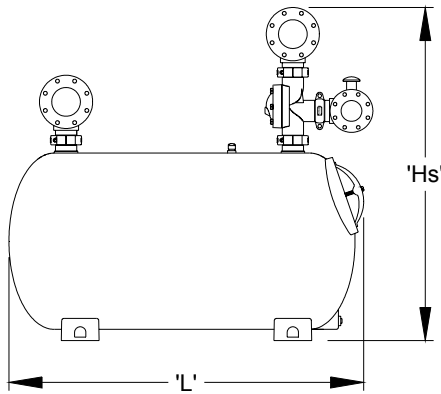
With Fully Automatic (CA100) Control Option

- Effluent Flow Sensor/Saddle
- Temperature Probe

Additional Adders

- Pressure Booster System (PBS01)
- Manual or Motorized Butterfly backwash
- Throttling valve for 3+ tank systems
- Advanced backwash controls

**Certified to
NSF/ANSI Standard 50**



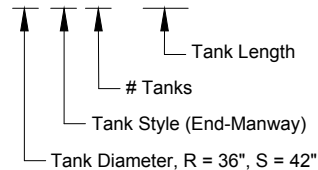
SS Series System Numbering

36" and 42" Dia. Vessels

Influent / Effluent Connection Size

Backwash Control: A = Auto (CA100),
M = Manual (CM200), S = Semi (CS400)

SS3-72A-06



Notes:

1. Standard header sizing shown is based on 10 fps max. at 15 gpm per sq. ft.
2. For more dimensional detail, consult the appropriate Cut Sheet in our Design Manual.
3. For special requirements including non-standard header sizes / locations and systems consisting of more vessels than shown, please contact our Applications Engineering at PoolApplicationRFQ@pentair.com.

CALIFORNIA PROPOSITION 65 WARNING

⚠ **WARNING:** Cancer and Reproductive Harm.
 ⚠ **AVERTISSEMENT:** Peut Causer le Cancer et des Dommages au Système Reproducteur.
 ⚠ **ADVERTENCIA:** Cáncer y Daño Reproductivo.
www.p65warnings.ca.gov

STARK™ S SERIES FILTERS

HORIZONTAL SAND FILTRATION SYSTEMS



SB2-144M-08ST



SA2-144M-08

Featured Highlights

- All vessel models are NSF certified
- Solid composite construction - does not employ a bladder
- Vessels can be stacked to minimize footprint. Designed for Seismic Zone 4 loading with additional supports or braces
- Vessels feature all-weather exterior coating with UV inhibitors
- Several backwash control options available
- Multiple influent and effluent pipe locations available - A, B and C style

S Series Systems include: Manway with Viewport standard on all Stark Tanks; Stark backwash valves (1 per tanks); Stark diaphragm-style priority valve (on dual-tank systems).

Additional Adders: Pressure Booster System (PBS01); Manual or Motorized Butterfly Backwash; Throttling Valve for 3+ tank systems; Advanced backwash controls.

For use in commercial pool, water park, and many aquarium applications. Standard systems accommodate flows from 135 to 2,500 GPM - custom systems accommodate unlimited flows.

All Stark S Series vessels are corrosion-proof, composite vessels. Systems are available with 100 psi rated filament-wound vessels. All vessels are 42" diameter to offer a great combination of cost and effectiveness for recreational water. Stark Diaphragm Valves and Controls are Standard; butterfly-valve options (including linked valves) are also available.

CALIFORNIA PROPOSITION 65 WARNING

⚠ **WARNING:** Cancer and Reproductive Harm.
 ⚠ **AVERTISSEMENT:** Peut Causer le Cancer et des Dommages au Système Reproducteur.
 ⚠ **ADVERTENCIA:** Cáncer y Daño Reproductivo.

www.p65warnings.ca.gov PN 20071A

Ordering Information

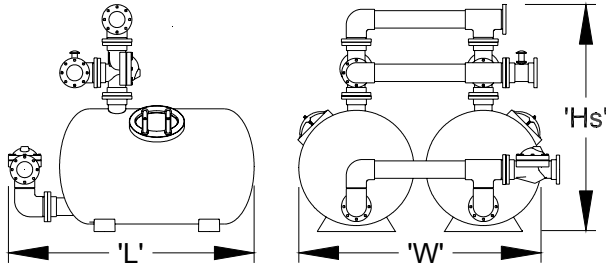
# Tanks	CAPACITY INFORMATION (INDEPENDENT OF STYLE / CONFIGURATION)									DIMENSIONS - SIDE-BY-SIDE			
	General System Number	Tank Size	Filtration Area (Sq. Ft.)	Flow (GPM) 12 gpm/sf	Flow (GPM) 15 gpm/sf	Backwash Valve Size/Type	Total Media (cu ft)	Operating Weight (lbs.)	Shipping Weight (lbs.)	Descriptive System Number	Single-Tank and Side-by-Side Systems		
											'W'	'L'	'Hs'
1	S1-48	42" x 48"	12.8	154	192	4"	16.5	5,280	870	*SC1-48-04	44"	82"	47"
	S1-72	42" x 72"	20.0	240	300	6"	26.0	7,920	1,110	*SA1-72-06	44"	107"	67"
	S1-96	42" x 96"	27.0	324	405	6"	36.0	10,560	1,350	*SA1-96-06	44"	122"	67"
	S1-120	42" x 120"	35.0	420	525	6"	45.5	13,200	1,590	SA1-120-06	44"	146"	67"
	S1-144	42" x 144"	41.0	492	615	6"	55.5	15,840	1,830	SA1-144-06	44"	170"	67"
2	S2-48	42" x 48"	25.6	307	384	4"	33.0	10,560	1,740	*SC2-48-06	96"	80"	56"
	S2-72	42" x 72"	40.0	480	600	6"	52.0	15,840	2,220	*SA2-72-06	99"	92"	86"
	S2-96	42" x 96"	54.0	648	810	6"	72.0	21,120	2,700	*SA2-96-06	99"	116"	86"
	S2-120	42" x 120"	70.0	840	1050	6"	91.0	26,400	3,180	SA2-120-08	110"	144"	91"
	S2-144	42" x 144"	82.0	984	1230	6"	111.0	31,680	3,660	SA2-144-08	110"	168"	91"
3	S3-48	42" x 48"	38.4	461	576	4"	49.5	15,840	2,610	*SC3-48-06	152"	80"	56"
	S3-72	42" x 72"	60.0	720	900	6"	78.0	23,760	3,330	*SA3-72-08	152"	94"	91"
	S3-96	42" x 96"	81.0	984	1215	6"	108.0	31,680	4,050	*SA3-96-08	152"	117"	91"
	S3-120	42" x 120"	105.0	1260	1575	6"	136.5	39,600	4,770	SA3-120-10	152"	138"	96"
	S3-144	42" x 144"	123.0	1476	1845	6"	166.5	47,520	5,490	SA3-144-10	152"	162"	96"
4	S4-48	42" x 48"	51.2	614	768	4"	66.0	21,120	3,480	*SC4-48-06	200"	80"	56"
	S4-72	42" x 72"	80.0	960	1200	6"	104.0	31,680	4,440	*SA4-72-08	200"	94"	91"
	S4-96	42" x 96"	108.0	1296	1620	6"	144.0	42,240	5,400	*SA4-96-10	200"	118"	96"
	S4-120	42" x 120"	140.0	1680	2100	6"	182.0	52,800	6,360	SA4-120-10	200"	142"	96"
	S4-144	42" x 144"	164.0	1968	2460	6"	222.0	63,360	7,320	SA4-144-12	200"	168"	100"

STARK™ S SERIES FILTERS (CONT'D)

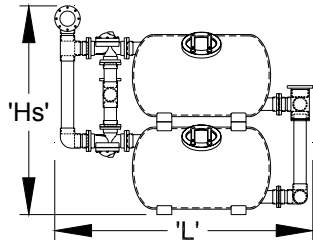
HORIZONTAL SAND FILTRATION SYSTEMS

Dimensions and Performance

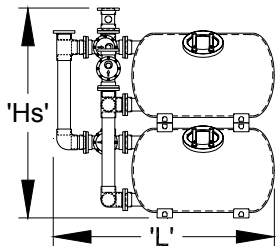
**Certified to
NSF/ANSI Standard 50**



A-Style Side-by-Side



B-Style Stacked



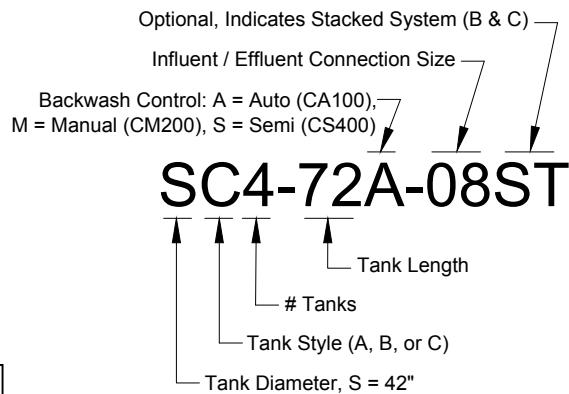
C-Style Stacked

Notes:

- Standard header sizing shown is based on 10 fps max. at 15 gpm per sq. ft.
- For more dimensional detail, consult the appropriate Cut Sheet in our Design Manual.
- S-48 Vessels are not available in A Style. Dimensions above represent C Style.
- For special requirements including non-standard header sizes / locations and systems consisting of more vessels than shown, please contact our Applications Engineering at PoolApplicationRFQ@pentair.com.

DIMENSIONS - STACKED SYSTEMS						
Style	# Tanks	Descriptive System Number	Filtration Area (Sq. Ft.)	'W'	'L'	'Hs'
Stacked Systems - B-Style	2	SB2-48-06ST	25.6	44"	98"	107"
		SB2-72-06ST	40.0	44"	135"	109"
		SB2-96-06ST	54.0	44"	159"	109"
		SB2-120-08ST	70.0	44"	191"	109"
		SB2-144-08ST	82.0	44"	215"	109"
Stacked Systems - B-Style	4	SB4-48-06ST	51.2	92"	99"	108"
		SB4-72-08ST	80.0	92"	140"	111"
		SB4-96-10ST	108.0	100"	166"	119"
		SB4-120-10ST	140.0	100"	190"	119"
		SB4-144-12ST	164.0	104"	217"	122"
Stacked Systems - C-Style	2	SC2-48-06ST	25.6	50"	80"	107"
		SC2-72-06ST	40.0	50"	114"	109"
		SC2-96-06ST	54.0	50"	138"	109"
		SC2-120-08ST	70.0	53"	165"	109"
		SC2-144-08ST	82.0	53"	189"	109"
Stacked Systems - C-Style	4	SC4-48-06ST	51.2	92"	88"	108"
		SC4-72-08ST	80.0	92"	122"	111"
		SC4-96-10ST	108.0	100"	146"	119"
		SC4-120-10ST	140.0	100"	169"	119"
		SC4-144-12ST	164.0	104"	193"	122"

S Series System Numbering



CALIFORNIA PROPOSITION 65 WARNING

⚠ **WARNING:** Cancer and Reproductive Harm.
 ⚠ **AVERTISSEMENT:** Peut Causer le Cancer et des Dommages au Système Reproducteur.
 ⚠ **ADVERTENCIA:** Cáncer y Daño Reproductivo.

www.p65warnings.ca.gov. PR020714

STARK™ 5S SERIES FILTERS

HORIZONTAL SAND FILTRATION SYSTEMS

Featured Highlights

- All vessel models are NSF certified
- Manway cover has integral viewport for internal filter observation
- Solid composite construction - does not employ a bladder
- Schedule 80 Face Piping is fully assembled
- Vessels feature all-weather exterior coating with UV inhibitors
- Influent manifold distribution to help prevent clogging
- Several backwash control options available
- Butterfly-valve options including linked tandem valves are also available.



The 5S Series Filter Systems are designed as an extension to one of the industry leaders, SS Series Filtration Systems, with many of the same features including fully-assembled Schedule 80 Face Piping, with limited in field gluing. The 5S Series Filter Systems include the only 8" backwash valve in the industry, and air valve actuation for a smooth and quick valve movement.

CALIFORNIA PROPOSITION 65 WARNING

⚠️ **WARNING:** Cancer and Reproductive Harm.
 ⚠️ **AVERTISSEMENT:** Peut Causer le Cancer et des Dommages au Système Reproducteur.
 ⚠️ **ADVERTENCIA:** Cáncer y Daño Reproductivo.

www.p65warnings.ca.gov PN 201714

Ordering Information

CAPACITY INFORMATION												
# Tanks	*System	Internal Tank	Filtration Area	Flow (GPM)	Flow (GPM)	Backwash Valve				Total Media	Operating Weight	Shipping Weight
	Number	Size	(Sq. Ft.)	12 gpm/sf	15 gpm/sf	Size/Type	'W'	'L'	'Hs'	(cu ft)	(lbs.)	(lbs.)
1	5S1-30-06	60" X 78"	30.0	360	450	6"	62"	83"	106"	63.5	15,000	2,000
	5S1-35-06	60" X 90"	35.0	420	525	6"	62"	95"	106"	74.3	17,000	2,300
	5S1-40-06	60" X 102"	40.0	480	600	6"	62"	107"	106"	85.4	20,000	2,600
	5S1-45-08	60" X 114"	45.0	540	675	8"	62"	119"	123"	96.4	23,000	2,900
	5S1-50-08	60" X 126"	50.0	600	750	8"	62"	131"	123"	107.4	25,000	3,200
2	5S2-30-08	60" X 78"	60.0	720	900	6"	128"	83"	111"	127.0	30,000	4,100
	5S2-35-08	60" X 90"	70.0	840	1,050	6"	128"	95"	111"	148.6	35,000	4,600
	5S2-40-08	60" X 102"	80.0	960	1,200	6"	128"	107"	111"	170.8	40,000	5,200
	5S2-45-08	60" X 114"	90.0	1,080	1,350	8"	128"	119"	127"	192.8	45,000	5,700
	5S2-50-10	60" X 126"	100.0	1,200	1,500	8"	128"	131"	133"	214.8	49,000	6,300
3	5S3-30-08	60" X 78"	90.0	1,080	1,350	6"	194"	83"	111"	190.5	45,000	6,100
	5S3-35-10	60" X 90"	105.0	1,260	1,575	6"	194"	95"	117"	222.9	53,000	6,900
	5S3-40-10	60" X 102"	120.0	1,200	1,800	6"	194"	107"	117"	256.2	60,000	7,800
	5S3-45-10	60" X 114"	135.0	1,620	2,025	8"	194"	119"	133"	289.2	68,000	8,600
	5S3-50-12	60" X 126"	150.0	1,800	2,250	8"	194"	131"	135"	322.2	75,000	9,500
4	5S4-30-10	60" X 78"	120.0	1,440	1,800	6"	260"	83"	117"	254.0	61,000	8,100
	5S4-35-10	60" X 90"	140.0	1,680	2,100	6"	260"	95"	117"	297.2	70,000	9,200
	5S4-40-12	60" X 102"	160.0	1,920	2,400	6"	260"	107"	119"	341.6	80,000	10,400
	5S4-45-12	60" X 114"	180.0	2,160	2,700	8"	260"	119"	135"	385.6	92,000	11,500
	5S4-50-12	60" X 126"	200.0	2,400	3,000	8"	260"	131"	135"	429.6	100,000	12,600

STARK™ 5S SERIES FILTERS (CONT'D)

HORIZONTAL SAND FILTRATION SYSTEMS

Dimensions and Performance



5S Series Systems Include:

- Manway viewport standard on all Stark tanks
- Stark backwash valves (1 per tank)
- Pre-glued piping utilizing grooved couplings
- Stark diaphragm-style priority valve (on dual-tank systems)

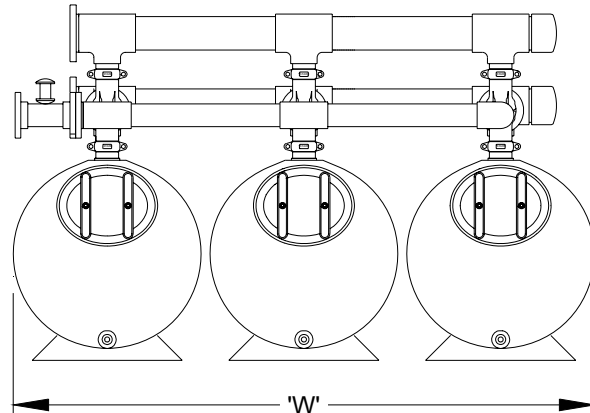
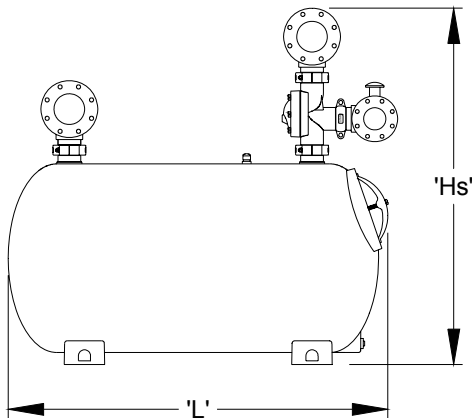
With Fully Automatic (CA100) Control Option

- Effluent Flow Sensor/Saddle
- Temperature Probe

Additional Adders

- Pressure Booster System (PBS01)
- Manual or Motorized Butterfly backwash
- Throttling valve for 3+ tank systems
- Advanced backwash controls

**Certified to
NSF/ANSI Standard 50**



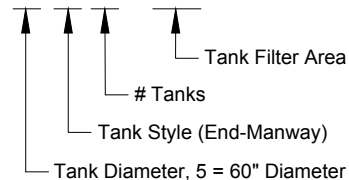
5S Series System Numbering

60" Dia. Vessels

Influent / Effluent Connection Size

Backwash Control: A = Auto (CA100),
M = Manual (CM200), S = Semi (CS400)

5S3-50A-10



Notes:

1. Standard header sizing shown is based on 10 fps max. at 15 gpm per sq. ft.
2. For more dimensional detail, consult the appropriate Cut Sheet in our Design Manual.
3. For special requirements including non-standard header sizes / locations and systems consisting of more vessels than shown, please contact our Applications Engineering at PoolApplicationRFQ@pentair.com.

CALIFORNIA PROPOSITION 65 WARNING

⚠ **WARNING:** Cancer and Reproductive Harm.
 ⚠ **AVERTISSEMENT:** Peut Causer le Cancer et des Dommages au Système Reproducteur.
 ⚠ **ADVERTENCIA:** Cáncer y Daño Reproductivo.
www.p65warnings.ca.gov

STARK™ FILTERS

BACKWASH OPTIONS AND ADDITIONAL FEATURES



Multiport Gauge Panel

CM200 Manual Backwash Controller (Backwash Option "M")

This is the simplest Pentair option. No electronics or programming required; simply turn the knob to backwash each tank in the system.



CS 400 Semi-Auto Backwash Controller (Backwash Option "S")

This controller is programmable and controls every aspect of the backwash cycle once initiated. Backwash can be initiated three ways: by an operator with the touch of a button, by a signal from a master controller (such as the AK600), or by a signal from an optional differential pressure switch (CS400-DP). Stored backwash data and history, alarms, and calculated backwash cycle times are also features of the CS400 controller, as are relays for communication with the heater, pump and Acu Drive.



CA 100 Automatic Backwash Controller (Backwash Option "A")

This is a comprehensive backwash controller and can be readily reprogrammed to initiate backwash automatically based on differential pressure (integral pressure transducers are standard), time (internal seven-day clock with battery back-up is standard), flow (with optional flow sensor), or any combination of the above. The controller has real-time display of operation mode, filter flow rate, and water temperature (with optional temperature probe). Also, includes Energy Saver Mode for simple On/Off pump scheduling and various interlocks and relays to communicate with other equipment (pump, heater, Acu Drive).



2" Threaded Laterals

Commercial Lateral

2" NPT injection molded ABS with "V" groove slots and reinforcing ribs for best performance and service life. Also used on THS Series Filters.

Manway Viewport

Standard on all Stark Filters.



Butterfly Valve Systems

Single Lever Linkage (Backwash Option "SL": Single-Tank Systems Only - tank is backwashed by the throw of a single lever); and Tandem Butterfly Valve Configurations (Backwash Option TM; Multiple Tank Systems - each Stark backwash valve is replaced by a linked pair of butterfly valves.

Optional Pressure Booster System (PBS01)

Provides consistent valve-actuation where city water pressure is unreliable.



CALIFORNIA PROPOSITION 65 WARNING

⚠️ **WARNING:** Cancer and Reproductive Harm.
 ⚠️ **AVERTISSEMENT:** Peut Causer le Cancer et des Dommages au Système Reproducteur.
 ⚠️ **ADVERTENCIA:** Cáncer y Daño Reproductivo.
www.p65warnings.ca.gov

PK20174A

STARK™ AQ SERIES™ FILTERS

LARGE DIAMETER SYSTEMS & VESSELS

Stark AQ Series Filters

48" and 60" Diameter Stackable Horizontal Filters are available as complete filtration systems. The Stark AQ Series Filters are ideal for high-load or large flows of water such as water parks and public aquariums. NSF-50 certified. 75 psi pressure rating.

Vessel Model Number	Available Styles*	Filtration Area (sq ft)	Internal Diameter (feet)	Internal Length (feet)	Standard Flange Size (ANSI)
AQ SERIES VESSEL SIZING AND CAPACITY INFORMATION					
4X6	A, B, C	22	4.0	6.0	6"
4X8	A, B, C	30	4.0	8.0	6"
4X10	A, B, C	38	4.0	10.0	6"
4X12	A, B, C	46	4.0	12.0	8"
4X14	A, B, C	54	4.0	14.0	8"
5X8	A, B, C	37	5.0	8.0	8"
5X10	A, B, C	47	5.0	10.0	8"
5X12	A, B, C	57	5.0	12.0	8"
5X14	A, B, C	67	5.0	14.0	8"
5X16	A, B, C	77	5.0	16.0	8"



Certified to NSF/ANSI Standard 50

Stark AQ Series Sand Filter



*Styles B and C are stackable. All are available with the manway on the other side (reverse manway).

STARK™ V SERIES™ FILTERS

HIGH LOAD VERTICAL FILTERS

Stark V Series Filters

Deep-Bed Filters provide "plug-flow" for extreme load applications such as sea-water intake, mammal and marine mammal exhibits. They are also frequently used as carbon (GAC) filters.

Vessel Model Number	Style	Filtration Area (sq ft)	Internal Diameter (feet)	Internal Height (feet)	Standard Flange Size (ANSI)
V SERIES VESSEL SIZING AND CAPACITY INFORMATION					
V3672	Vertical	7.1	3.0	6.0	3"
V4272	Vertical	9.6	3.5	6.0	3"
V4872	Vertical	12.6	4.0	6.0	4"
V6072	Vertical	19.6	5.0	6.0	6"
V72	Vertical	28.3	6.0	8.8	6"
V96	Vertical	50.3	8.0	9.5	6"



Stark V Series Sand Filter

Optional Integral Insulation

Any Stark Filter can be manufactured with integral insulation between the shell and winding layers to last as long as the vessel. Used for both cold water and warm water life support applications when filters are installed where a high differential exists between water and ambient air temperature. For sizing assistance on AQ and V Series filters, contact us at PoolApplicationRFQ@pentair.com



Insulated Vessel at Start of Winding

CALIFORNIA PROPOSITION 65 WARNING
 ⚠️ WARNING: Cancer and Reproductive Harm.
 ⚠️ AVERTISSEMENT: Peut Causer le Cancer et des Dommages au Système Reproducteur.
 ⚠️ ADVERTENCIA: Cáncer y Daño Reproductivo.
www.p65warnings.ca.gov

Certified to NSF/ANSI Standard 50

THS SERIES® HORIZONTAL SAND FILTER

Featured Highlights

- Five sizes to 27 sq. ft.
- Manway in front for easier access and smaller footprint
- Manway with viewport available as option
- 6 in. flanged connections, 4 in. victaulic on the THS Series 3461
- Optional manual, semi-automatic, and automatic backwash systems for one and two tank systems
- Two backwash controllers to choose from
- Influent manifold distribution to prevent clogging
- NSF certified from 5–20 gpm/sq. ft.



THS Series Horizontal Sand Filter

The THS Series Filter is an NSF certified 50 psi rated tank with flow rates up to 535 gallons per minute. The filter shell is manufactured from a lasting composite laminate design that makes winding unnecessary. Vessels feature all-weather exterior coating with UV inhibitors.

Ordering Information

Product	Model	Description	Effective Filtration Area (Sq. Ft.)	Flow Rate (15 GPM/ Sq. Ft.)	6 Hour Turnover Capacity (In Gallons)	Filter Media		All Sand Required (Lbs.)	Carton Wt. (Lbs.)
						Pea Gravel Required (Lbs.)	Sand Required (Lbs.)		
THS SERIES HORIZONTAL FILTER									
143461	THS3461	THS 34 in. x 61 in.	13.5	203	73,080	300	1250	1550	550
143484	THS3484	THS 34 in. x 84 in.	19.0	285	102,600	600	1350	1950	610
144272	THS4272	THS 42 in. x 72 in.	19.7	295	106,200	500	2100	2600	650
144284	THS4284	THS 42 in. x 84 in.	23.2	348	125,280	600	2400	3000	725
144296	THS4296	THS 42 in. x 96 in.	26.7	400	144,000	700	2800	3500	800
CONTROLLERS (MUST USE WITH DIAPHRAGM VALVES MANIFOLD KITS)									
156400	Single THS manual controller 6 in. FP				156850	Single THS CA100 autbackwash controller			
156450	Dual THS manual controller 6 in. FP				CS400-01	CS400 backwash controller for single tank system			
156800	Dual THS CA100 autbackwash controller				CS400-02	CS400 backwash controller for dual tank system			



CM200 Manual Backwash Controller
This is the simplest Pentair option. No electronics or programming required. Simply turn the knob to backwash each tank in the system.



CS 400 Commercial Backwash Controller
This controller is programmable and controls every aspect of the backwash cycle once initiated. Backwash can be initiated three ways: by an operator with the touch of a button, by a signal from a master controller (such as the AK600), or by a signal from an optional differential pressure switch (CS400-DP). Stored backwash data and history, alarms, and calculated backwash cycle times are also features of the CS400 controller, as are relays for communication with the heater, pump and Acu Drive.



CA 100 Fully Automatic Backwash Controller
This is a comprehensive backwash controller and can be readily reprogrammed to initiate backwash automatically based on differential pressure (integral pressure transducers are standard), time (internal seven-day clock with battery back-up is standard), flow (with optional flow sensor), or any combination of the above. The controller has real-time display of operation mode, filter flow rate, and water temperature (with optional temperature probe). Also, includes Energy Saver Mode for simple On/Off pump scheduling and various interlocks and relays to communicate with other equipment (pump, heater, Acu Drive).

THS SERIES® HORIZONTAL SAND FILTER (CONT'D)

MANIFOLD KITS ⁷	
155700	THS single tank manifold kit with butterfly valves ³
155720	THS dual tank manifold kit with butterfly valves ³
155701	THS single tank 6 in. FP kit with diaphragm valves ⁶
155721	THS dual 34 x 84 in. 6 in. FP kit with diaphragm valves ⁶
155730	THS dual 42 in. dia. 6 in FP Kit with diaphragm valves ⁶
MANIFOLD KITS FOR THS 34 X 61 ONLY ⁷	
155702	Kit-THS3461, single tank manifold, with butterfly valve kit ³
155722	Kit-THS3461, dual tank manifold, with butterfly valve kit ³
155703	Kit-THS3461, single tank manifold, with diaphragm valve kit ⁶
155723	Kit-THS3461, dual tank manifold, with diaphragm valve kit ⁶

ACCESSORIES	
140325	Adder kit for third THS Filter ²
156100	Temperature probe kit ⁴
156150	Flowmeter saddle kit 6 in. ⁴
155800	WA-KIT wedge anchor kit ¹
155706	Manway with Viewport Retrofit Kit - replace existing in field
CS400DP	Mounted differential pressure switch ⁵
B4110	120v to 24v 100w transformer
B4221KIT	Gauge Panel Kit Influent/Effluent gauge

¹ One each per tank purchased if required.

² Adder Kit provides 6 in., SCH 80 manifold piping, fittings and hardware for the addition of a third THS Series filter of equal diameter only when #155720 Dual-Filter Butterfly Valve Face Piping Kit is used. Note: Using a 6 in. Schedule 80 plumbing kit with flows in excess of 812 GPM exceeds the maximum water velocity recommended in ANSI/NSPI-1 2003 Standard for Public Swimming Pools. For higher flows, summary calculations should be provided to show that the greater flow is possible with the pump and piping provided.

³ Does not require a purchase of a controller.

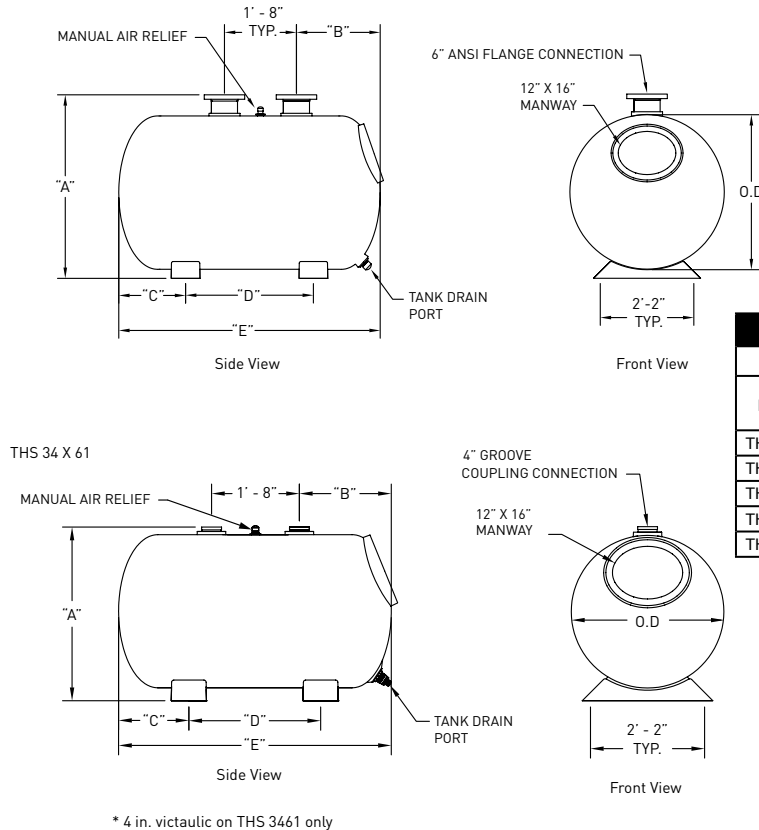
⁴ Only used with CA100 controller option.

⁵ Only available with CS400 controller.

⁶ Does require a purchase of a controller.

⁷ Does not include THS Tanks.

Dimensions and Performance



Certified to
NSF/ANSI Standard 50

THS SERIES SPECIFICATION CHART							
Model	Tank Dimensions						WT
	"A" in.	"B" in.	"C" in.	"D" in.	"E" in.	"O.D." in.	
THS3461	39-1/2	21	16	30	62	35	550
THS3484	45	21-1/4	24-5/8	35-1/4	85	35	610
THS4272	52-1/4	23-1/4	18-7/8	35-1/4	73	43	650
THS4284	52-1/4	23-1/4	24-7/8	35-1/4	85	43	725
THS4296	52-1/4	23-1/4	30-7/8	35-1/4	97	43	800

NSF/ANSI 50 certified for 5-20 gpm/sq.ft.

CALIFORNIA PROPOSITION 65 WARNING

⚠️ **WARNING:** Cancer and Reproductive Harm.
 ⚠️ **AVERTISSEMENT:** Peut Causer le Cancer et des Dommages au Système Reproducteur.
 ⚠️ **ADVERTENCIA:** Cáncer y Daño Reproductivo.
www.p65warnings.ca.gov PWS 201714

TRITON® HD SIDE MOUNT FILTERS

HEAVY-DUTY FIBERGLASS SAND FILTER WITHOUT VALVES

TRADEGRADE

Featured Highlights

Maximum Operating Pressure 75 psi

CALIFORNIA PROPOSITION 65 WARNING
 ⚠️ **WARNING:** Cancer and Reproductive Harm.
 ⚠️ **AVERTISSEMENT:** Peut Causer le Cancer et des Dommages au Système Reproducteur.
 ⚠️ **ADVERTENCIA:** Cáncer y Daño Reproductivo.
 www.p65warnings.ca.gov. P652015A



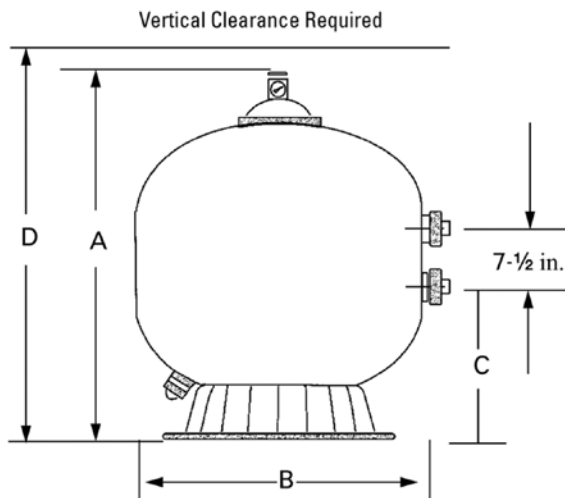
Triton HD Filter
(Unions not included)

All the same great performance and features of the original Triton filter with maximum operating pressure of 75 psi for those special high pressure installations such as single pump in-floor cleaning systems.

Ordering Information

Product	Model	Effective Filtration Area (Sq. Ft.)	Flow Rate (GPM Comm)	Turnover Capacity (In Gallons)			Filter Media		All Sand Req'd (Lbs.)	Carton Wt. (Lbs.)
				8 Hour	10 Hour	12 Hour	Pea Gravel Required (Lbs.)	Sand Required (Lbs.)		
TRITON HD SAND FILTER										
140335	TR100 HD	4.91	74	35,520	44,400	53,280	150	450	600	66
TRITON HD VALVE OPTIONS ¹										
263079	2 in. PVC slide valve w/o plumbing, for D.E. & sand filters									3
261049	2 in. HiFlow valve, no plumbing									7
261050	2 in. HiFlow valve w/ plumbing, for sand filters									11
261055	2 in. MPV for sand filters (SM 20-3)									10
261173	1-1/2 in. MPV, for sand filters (SM 10-3)									6
263064	Push Pull 7-1/2 in. Center Valve, Almond ABS									5
263080	FullFloXF Valve for Sand, inlet port on top, Pentair 2 in. unions glued on XF Valve									

¹ Valves must be purchased separately.



Dimensions and Performance

Certified to NSF/ANSI Standard 50

MODEL	A. DIM.	B DIM.	C DIM.	D DIM.
TR100 HD	39-3/4 in.	30-1/2 in.	16-3/4 in.	41-3/4 in.

TRITON® C AND TRITON C-3

HIGH CAPACITY FIBERGLASS SIDE MOUNT SAND FILTER WITHOUT VALVES

TRADEGRADE



TR 140C-3

TR 100 C

This filter series features multiple diverters for increased filtration rates in commercial applications up to 20 GPM/sq. ft.

Featured Highlights

- Maximum Operating Pressure 50 psi
- Full 2 in. Drain
- 8 in. opening for easy access to sand bed
- The Triton C-3 features standard 3 in. flange connections
- TR 100C-3 & TR 140C-3 models are available in black only

CALIFORNIA PROPOSITION 65 WARNING

⚠ **WARNING:** Cancer and Reproductive Harm.
 ⚠ **AVERTISSEMENT:** Peut Causer le Cancer et des Dommages au Système Reproducteur.
 ⚠ **ADVERTENCIA:** Cáncer y Daño Reproductivo.
www.p65warnings.ca.gov

Ordering Information

Product	Model	Effective Filtration Area (Sq. Ft.)	Flow Rate	Turnover Capacity (In Gal.) ²			Filter Media		All Sand Req'd (Lbs.)	Ctn Qty.	Ctn Wt. (Lbs.)
				6 Hour	8 Hour	10 Hour	Pea Gravel Req'd (Lbs.)	Sand Req'd (Lbs.)			
TRITON C SAND FILTERS											
140315	TR 100C- Almond	4.91	98	35,280	47,040	58,800	150	450	600	1	70
140316	TR 140C- Almond	7.06	141	50,760	67,680	84,600	275	650	925	1	82
TRITON C-3 SAND FILTERS											
140310	TR 100C-3-Black only	4.91	98	35,280	47,040	58,800	150	450	600	1	65
140342	TR 140C-3-Black only	7.06	141	50,760	67,680	84,600	275	650	925	1	82
TRITON C VALVE OPTIONS¹											
261050	2 in. HiFlow w/ plumbing, for sand filters									1	11
261055	2 in. MPV, for sand filters (SM 20-3)									1	10
263080	FullFloXF Valve for Sand, inlet port on top, Pentair 2 in. unions glued on XF Valve										

¹ Valves must be purchased separately.

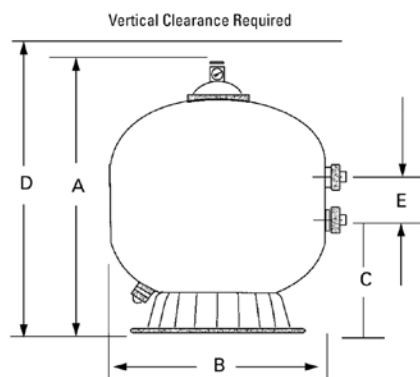
² Based on 20 gpm per sq. ft. Tanks are NSF/ANSI 50 certified for 5–20 gpm/sq.ft.

Dimensions and Performance

Certified to NSF/ANSI Standard 50

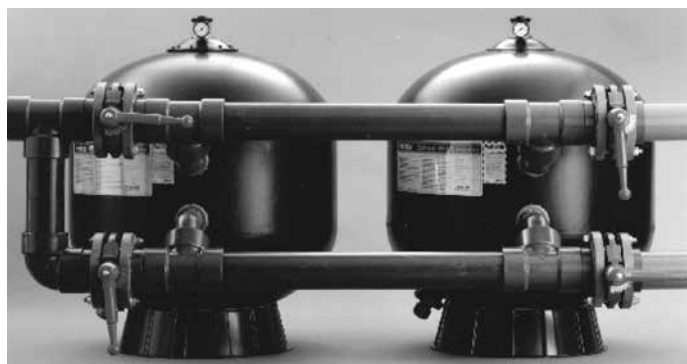
DIMENSION TABLE

MODEL	A DIM.	B DIM.	C DIM.	D DIM.	E DIM.
TR 100 C	39¾ in.	30½ in.	16½ in.	43¾ in.	7½ in.
TR 140 C	45¾ in.	36½ in.	18¾ in.	49¾ in.	7½ in.
TR 100 C-3	39¾ in.	30½ in.	16-1/16 in.	43¾ in.	7.72 in.
TR 140 C-3	45¾ in.	36½ in.	18-½ in.	49¾ in.	7.72 in.



SCH 40 & 80 FOR TR100C, TR140C, TR100C-3 & TR140C-3

TANDEM FILTER PIPING KITS FOR 2 & 3 IN. FILTERS



These Tandem Filter Piping Kits are designed specifically for use with the Triton® TR100C, TR140C, Triton TR100C-3 and TR140C-3 Sand Filters to limit required space.

We are providing this additional service for your convenient one-stop shopping. Pipe and filters are all you need.

Pipe is not included in kits.

Tandem Filter Piping Kits for Triton TR100C, TR140C, TR100C-3 and TR140C-3 Sand Filters

CALIFORNIA PROPOSITION 65 WARNING
 ⚠️ **WARNING:** Cancer and Reproductive Harm.
 ⚠️ **AVERTISSEMENT:** Peut Causer le Cancer et des Dommages au Système Reproducteur.
 ⚠️ **ADVERTENCIA:** Cáncer y Daño Reproductivo.
www.p65warnings.ca.gov PH 201514

Product	Model
For Plumbing Two TR100C or TR140C Filters	
146400	3 in. Two filter kit, SCH 40 (200 GPM)
146402	4 in. Two filter kit, SCH 40 (300 GPM)
146404	6 in. Two filter kit, SCH 40 (700 GPM)
146403	4 in. Two filter kit, SCH 80 (300 GPM)
146405	6 in. Two filter kit, SCH 80 (700 GPM)
For Plumbing Two TR100C-3 or TR140C-3 Filters	
147400	3 in. Two filter kit, SCH 40 (200 GPM)
147402	4 in. Two filter kit, SCH 40 (300 GPM)
147404	6 in. Two filter kit, SCH 40 (700 GPM)
147401	3 in. Two filter kit, SCH 80 (200 GPM)
147403	4 in. Two filter kit, SCH 80 (300 GPM)
147405	6 in. Two filter kit, SCH 80 (700 GPM)

Note: All kits include hardware, fittings, gaskets and butterfly valves.

Ordering Information

Product	Model
Adder Kits for TR100C and TR140C Filters ¹	
146406	4 in. Single filter kit, SCH 40
146408	6 in. Single filter kit, SCH 40
146407	4 in. Single filter kit, SCH 80
146409	6 in. Single filter kit, SCH 80
Adder Kits for TR100C-3 and TR140C-3 Filters	
147406	4 in. Single filter kit, SCH 40
147408	6 in. Single filter kit, SCH 40
147407	4 in. Single filter kit, SCH 80
147409	6 in. Single filter kit, SCH 80

Note: All kits include hardware, fittings, gaskets.

Filters	Filter Area Sq. Ft.	Manifold Pipe Dia.	Filter Rate Sq. Ft.		Turnover Capacity		
			15 GPM	20 GPM	6 Hours	8 Hours	10 Hours
TANDEM TRITON 140C FILTER INSTALLATION							
6 TR 140's	42.36	6 in.	635	—	228,600	304,800	381,000
		8 in.	—	847	304,920	406,560	508,200
7 TR 140's	49.42	6 in.	741	—	266,760	355,680	444,600
		8 in.	—	988	355,680	474,240	592,800
8 TR 140's	56.48	8 in.	847	—	304,920	406,560	508,200
		8 in.	—	1130	406,800	542,400	678,000

SCH 40 & 80 FOR TR100C, TR140C, TR100C-3 & TR140C-3 (CONT'D)

TANDEM FILTER PIPING KITS FOR 2 & 3 IN. FILTERS

Filters	Filter Area Sq. Ft.	Manifold Pipe Dia.	Filter Rate Sq. Ft.		Turnover Capacity		
			15 GPM	20 GPM	6 Hours	8 Hours	10 Hours
TANDEM TRITON TR100C AND TR100C-3 FILTER INSTALLATION							
2 TR 100's	9.82	3 in.	147	—	52,920	70,560	88,200
		4 in.	—	196	70,560	94,080	117,600
3 TR 100's	14.73	4 in.	221	—	79,560	106,080	132,600
		4 in.	—	295	106,200	141,600	177,000
4 TR 100's	19.64	4 in.	295	—	106,200	141,600	177,000
		5 in.	—	393	141,480	188,640	235,800
5 TR 100's	24.55	5 in.	368	—	132,480	176,640	220,800
		5 in.	—	491	176,760	235,680	294,600
TANDEM TRITON TR140C AND TR140C-3 FILTER INSTALLATION							
2 TR 140's	14.12	4 in.	212	—	76,320	101,760	127,200
		4 in.	—	282	101,520	135,360	169,200
3 TR 140's	21.18	4 in.	318	—	114,480	152,640	190,800
		5 in.	—	424	152,640	203,520	254,400
4 TR 140's	28.24	5 in.	424	—	152,640	203,520	254,400
		6 in.	—	565	203,040	270,720	338,400
5 TR 140's	35.30	5 in.	530	—	190,800	254,400	318,000
		6 in.	—	706	254,160	338,880	423,600

Dimensions and Performance

Two Filter System	A	B	C	D	E	F	G	H	I	J	K	Total Wt.
3 in.-TR100C	82-3/8 in.	17-15/16 in.	48 in. min.	18 in. min.	39-3/4 in.	15 in.	29-33/64 in.	8-5/8 in.	11-1/32 in.	51-13/16 in.	—	2300 lbs.
3 in.-TR140C	88-3/8 in.	17-15/16 in.	54 in. min.	18 in. min.	45-1/4 in.	18 in.	32-33/64 in.	8-5/8 in.	13-15/32 in.	57-13/16 in.	—	3200 lbs.
4 in.-TR140C	95-3/4 in.	19-35/64 in.	54 in. min.	18 in. min.	45-1/2 in.	18 in.	33-1/8 in.	9-15/16 in.	12-21/32 in.	59-11/64 in.	—	2300 lbs.
6 in.-TR140C*	111-3/4 in.	24-7/32 in.	54 in. min.	18 in. min.	45-1/2 in.	18 in.	35-3/8 in.	12-13/16 in.	10-21/64 in.	64-13/32 in.	64-53/64 in.	3550 lbs.

* 6 in. piping needs to be rotated upward as shown at 25° so handle will clear the floor.

FIGURE 4A

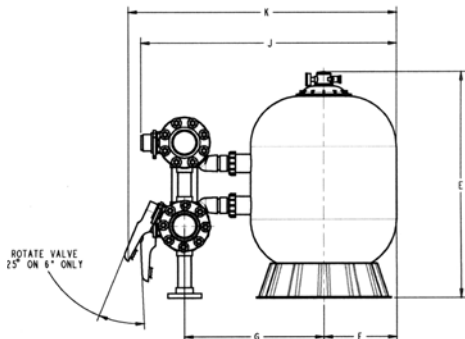
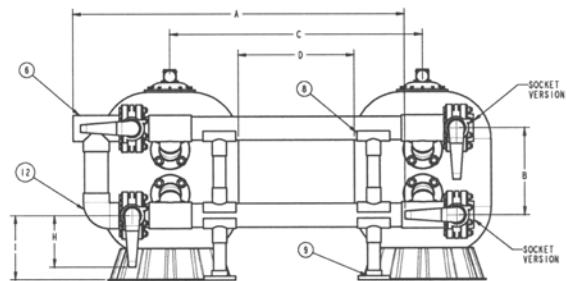


FIGURE 4B



PLUMBING KITS & ACCESSORIES

Featured Highlights

- Unionized pump/filter plumbing kits and base
- Bulkhead Union Sets can connect D.E. and high-rate sand filters to any plumbing. The kit consists of two half unions with both 1-1/2 and 2 in. pipe connections.



154566

Ordering Information

Product	Description	Carton Qty.	Carton Wt. (Lbs.)
UNIONS			
98960311	Bulkhead union kit, 1-1/2 in. & 2 in. for Eclipse Filters	1	1
TOOLS			
192019	Drain plug wrench ¹	1	1
ACCESSORIES AND KITS			
154566	2 in. Sight glass nipple, clear	1	1
271092	2 in. Threaded adapter kit, for installations without valve	1	1
271094	1-1/2 in. Threaded adapter kit, w/o valve, for installations without valve	1	1
271096	2 in. Threaded bulkhead adapter kit, for installations without valve	1	1
274725	Union check valve, 2 in. socket	1	1
274426Z	Adapter Union Replacement Kit, 2-1/2 in. x 2 in.	1	2
354570	1-1/2 in. Quick disconnect kit, for Regenerative D.E. Filter	1	1
542090	Sand Vac, empties a sand filter in 10 minutes for repair, refilling, or removal	1	3

¹ For use on FNS Plus, Nautilus Plus & Clean & Clear Plus filters.

² For use on Star filters.

³ Torque wrench not required for filters with Tension Control™ clamp.

CALIFORNIA PROPOSITION 65 WARNING
 ⚠️ **WARNING:** Cancer and Reproductive Harm.
 ⚠️ **AVERTISSEMENT:** Peut Causer le Cancer et des Dommages au Système Reproducteur.
 ⚠️ **ADVERTENCIA:** Cáncer y Daño Reproductivo.
www.p65warnings.ca.gov PR 201514



542090



354570
(now available in black)



274725



271094, 271096,
271092

RETRO-FIT & UPGRADE KITS

Ordering Information

Product	Description
FNS KITS ¹	
181010	FNS clamp spring kit (works on all FNS clamps after 1-89)
NS KITS ¹	
181011	NS/PF35 spring clamp assembly

Product	Description
PF SAND KITS ¹	
181011	NS/PF35 spring clamp assembly
FILTER UPGRADES	
98209804	High flow manual air relief valve w/ instruction labels
59000400	High flow internal air relief kit upgrade for Titan manifold

¹ For filters manufactured prior to 1991.

² For use on filters built before 11-94.

CALIFORNIA PROPOSITION 65 WARNING

⚠ **WARNING:** Cancer and Reproductive Harm.
⚠ **AVERTISSEMENT:** Peut Causer le Cancer et des Dommages au Système Reproducteur.
⚠ **ADVERTENCIA:** Cáncer y Daño Reproductivo.

www.p65warnings.ca.gov. PK2017LA



HEATERS & HEAT PUMPS

ULTRATEMP ETi® HEATER

HIGH PERFORMANCE HYBRID HEATER

TRADEGRADE

Dual-Fuel Heating Technology is the first of its kind in the U.S. and delivers fast and economical heating options.



UltraTemp ETi HYBRID Heater

Featured Highlights

- Available in propane and natural gas
- Gas-fired functionality for quick heat-ups
- Onboard intelligence delivers outstanding efficiency
- Titan-Tough™ Direct-Fire Titanium gas heat exchanger assures corrosion-free performance for extra long life
- 93% thermal efficiency gas engine* coupled with high performance heat pump
- Smart controls and space savings versus installing two separate units, gas heater and heat pump
- Automation ready with seamless interfacing with Pentair Control Systems
- High efficiency design (four selectable modes: Heat Pump only, Gas only, Hybrid, Dual)
- In "Dual" mode the heater runs both the heat pump and gas heater simultaneously for maximum heat output
- In "Hybrid" mode the heater runs state-of-the-art programming logic to determine a fast and economical way to heat your pool based on user selectable water temperature differential and time period
- Dual internal water bypass assembly automatically adjusts for water flows up to 120 GPM without the need for an external water bypass

Ordering Information

Part # ALMOND	Model	80/80/80** BTU/COP	80/63/80** BTU/COP	50/63/80** BTU/COP	Gas BTU	Freq (Hz)	Breaker Size (amp)	Phase	Volt	Ctn Wt.
ULTRATEMP ETi HEATER										
460969	220K - Natural Gas	108,000/5.8	100,000/5.6	70,000/4.0	110,000	60	50	1	230	450
462042	220K - Propane	108,000/5.8	100,000/5.6	70,000/4.0	110,000	60	50	1	230	450

* Gas engine measures 93% thermal efficiency when tested per ANSI Z21.56:19/CSA 4.7:19 2019 section 5.10.

* https://www.regulations.doe.gov/certification-data/CCMS-4-Pool_Heaters.html#q=Product_Group_s%3A%22Pool%20Heaters%22

** Rating in accordance with AHRI Standard 1160 (air temp. °F. / % relative humidity / water temp °F.)

IMPORTANT NOTE:

The Hybrid is tested & factory-configured for either Natural Gas or Propane Gas, and it cannot be converted from one fuel type to another in the field. Please order the specific model (Natural Gas or Propane) to match the fuel source of your intended application.

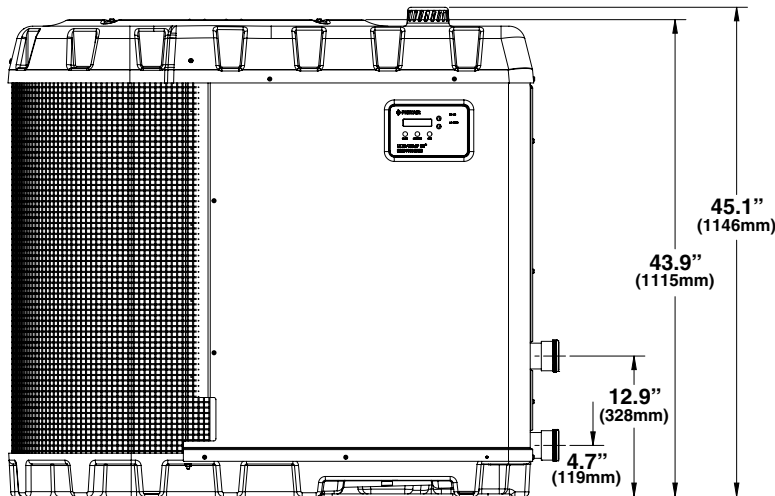
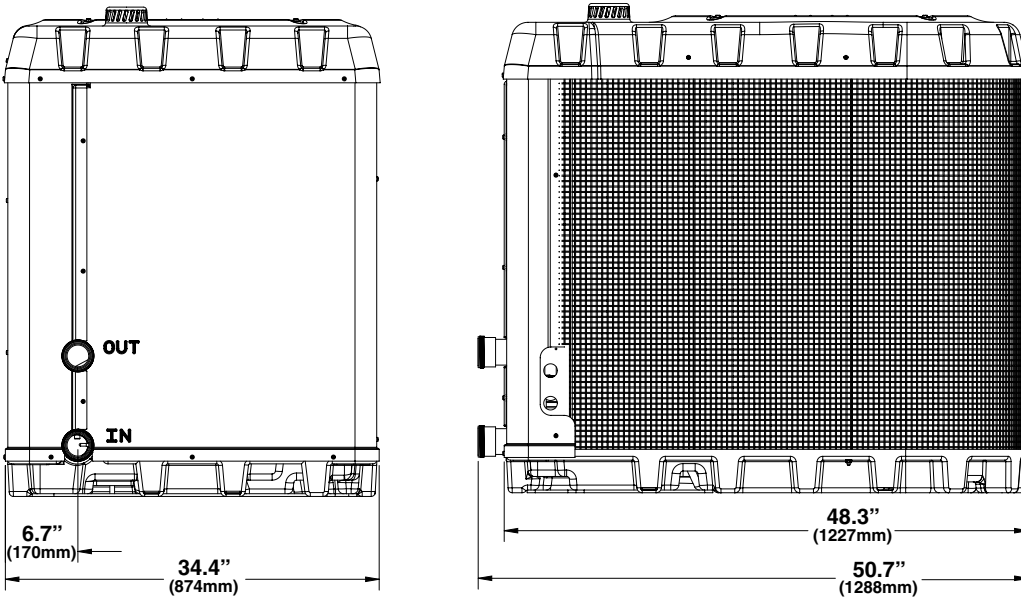
CALIFORNIA PROPOSITION 65 WARNING

⚠ **WARNING:** Cancer and Reproductive Harm.
 ⚠ **AVERTISSEMENT:** Peut Causer le Cancer et des Dommages au Système Reproducteur.
 ⚠ **ADVERTENCIA:** Cáncer y Daño Reproductivo.
www.p65warnings.ca.gov P650017A

ULTRATEMP ETi[®] HEATER

HIGH PERFORMANCE HYBRID HEATER

Dimensions and Performance



The AHRI Certified[®] Mark is applied only to HVACR equipment and components that have been independently tested to certify manufacturers' performance claims are accurate. Visit www.ahridirectory.org for a complete list of certified products.

CEC indicates that Heat Pump has been evaluated to California Title-20, listed in the California Energy Commission's (CEC) database of compliant heat pumps, and certified to use on Residential Swimming Pool Filtration Systems.

ETi® 400

HIGH-EFFICIENCY POOL AND SPA HEATER

TRADEGRADE



ETi 400 Heater

Featured Highlights

- Titan-Tough™ Direct-Fire Titanium ASME certified heat exchanger
- Certified for low NOx emissions¹
- Best-in-class energy efficiency for fast heat up times and energy savings
- 4" PVC or CPVC vent up to 120 ft and 6" vent up to 300 ft long
- Indoor and outdoor rating
- Ultra-quiet operation
- Convenient 180 degrees rotating controls panel for left or right plumbing orientation
- Convenient front and rear gas connection capability
- Factory configured for Natural Gas. Propane Conversion Kit available

The ETi 400 High-Efficiency Pool Heater features our Titan-Tough™ Direct-Fire Titanium Heat Exchanger, with ASME certified construction for robust, reliable heating performance. At 96% thermal efficiency², the ETi 400 heater has **the highest efficiency built in its class to date in the U.S.**³ All this in a heater that operates with ultra-quiet noise level and **out performs existing energy emissions standards.**

Ordering Information

Product	Gas Type	BTU (400,000)	Crate Qty.	Crate Wt.
ETi 400 HIGH EFFICIENCY HEATER				
461113	Natural	400,000 BTU—ASME LISTED	1	365
ACCESSORIES				
475971	Direct Air Intake Kit (for indoor installations)		1	5
475612	Condensate Neutralizer Cartridge Kit		1	5
476072	Propane Gas Conversion Kit		1	2

¹ Certified by a third party test lab and communicated to SCAQMD for Rule 1146.2

² Gas engine measures 96% thermal efficiency when tested per ANSI Z21.56:19/CSA 4.7:19 2019 section 5.10.

³ https://www.regulations.doe.gov/certification-data/CCMS-4-Pool_Heaters.html#q=Product_Group_s%3A%22Pool%20Heaters%22

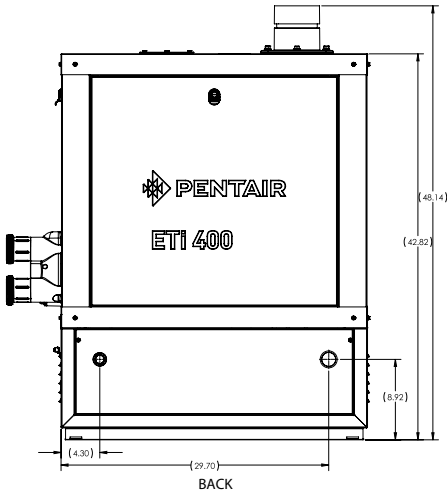
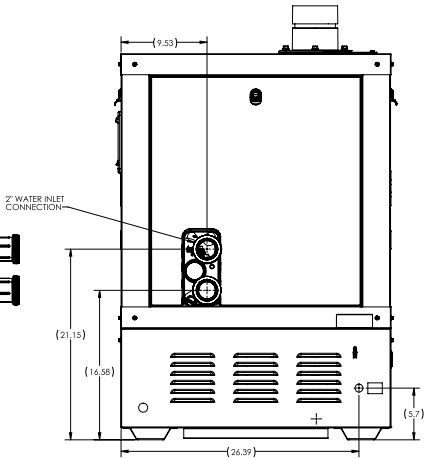
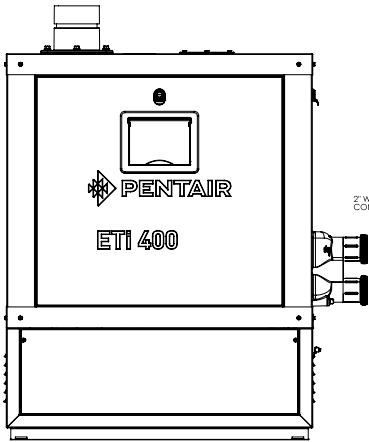
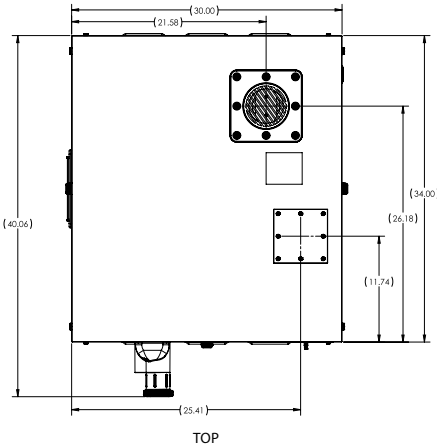
CALIFORNIA PROPOSITION 65 WARNING

⚠ **WARNING:** Cancer and Reproductive Harm.
 ⚠ **AVERTISSEMENT:** Peut Causer le Cancer et des Dommages au Système Reproducteur.
 ⚠ **ADVERTENCIA:** Cáncer y Daño Reproductivo.
www.p65warnings.ca.gov

ETi[®] 400

HIGH-EFFICIENCY POOL AND SPA HEATER

Dimensions and Performance



ETi® 250

HIGH-EFFICIENCY POOL AND SPA HEATER

TRADEGRADE



ETi 250 High-Efficiency Pool and Spa Heater

Featured Highlights

- Corrosion-resistant Titan-Tough™ Direct-Fire Titanium Heat Exchanger
- **Up to 96% thermal efficiency.**¹ For every \$1 of natural gas that's piped into the heater, up to 96 cents goes directly to heating your pool, ensuring optimal heating
- Certified for low NOx emissions²
- Certified for Category IV PVC exhaust venting and air intake³
- 360° gas line connection options for ease-of-installation
- 270° control panel orientation options for ease-of-access.
- Large removable panels make accessing the heater internals easier
- Plumbing aligns exactly to MasterTemp® and Max-E-Therm® heaters, making ETi 250 an ideal drop-in replacement on tight equipment pads
- Three-year parts and labor warranty

The ETi 250 High-Efficiency Pool Heater features our Titan-Tough™ Direct-Fire Titanium Heat Exchanger, with ASME certified construction for robust, reliable heating performance. Choose the ETi 250 heater for applications that are tight on space or where 250,000 BTUs can get the job done. All this in a heater that provides up to 96%* thermal efficiency, for more energy savings over standard heaters and faster heat-up times.

Ordering Information

Part #	Description	Gas Type	BTUs	Dimensions (IN)	Weight (Lbs.)	Voltage	Breaker Size
ETI 250 HIGH EFFICIENCY POOL AND SPA HEATER							
461112	ETi 250 High-Efficiency Pool Heater	Natural	250,000	25L x 25W x 32H	270	120 or 240/60Hz/1Ph	15 AMP
ACCESSORIES							
462057	ETi 250 High-Altitude Conversion Kit for 2,000 ft–10,000 ft.	Natural		12L x 7W x 5H	2		
476370	ETi 250 Propane Conversion Kit from 0–2,000 ft	Propane		8L x 8W x 8H	2		
476375	ETi 250 Condensate Neutralizer Replacement Kit						
476371	ETi 250 Indoor Direct Air Intake Kit						
462048	Smart Heater Bypass Kit						

¹ ETi 250 is 94% efficient when operated on natural gas and is 96% efficient when operated on propane with available conversion kit.

² Certified by a third party test lab and communicated to SCAQMD for Rule 1146.2

³ Certified by CSA in compliance with CSA/ANSI Z21.56:19/CSA 4.7:19

CALIFORNIA PROPOSITION 65 WARNING

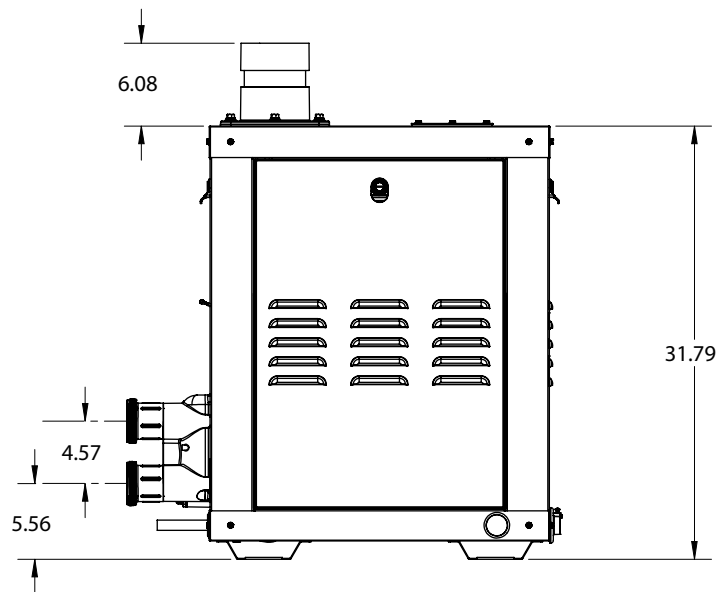
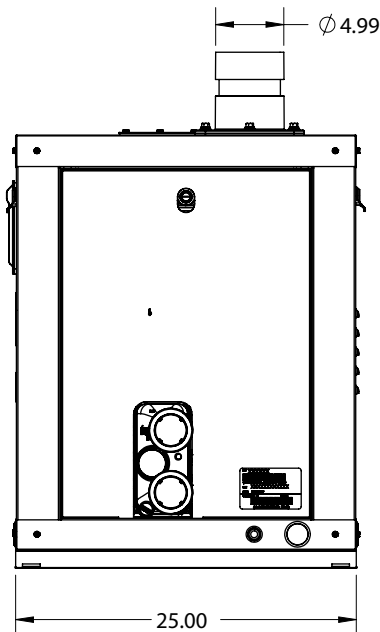
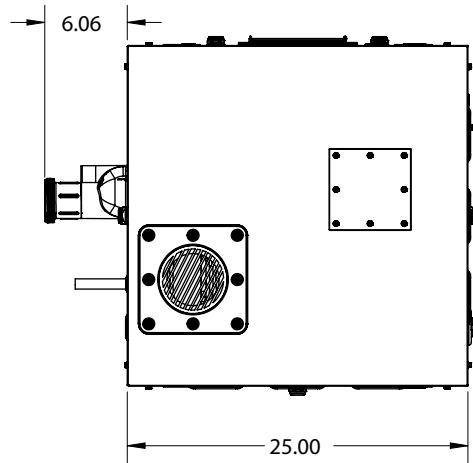
⚠ **WARNING:** Cancer and Reproductive Harm.
 ⚠ **AVERTISSEMENT:** Peut Causer le Cancer et des Dommages au Système Reproducteur.
 ⚠ **ADVERTENCIA:** Cáncer y Daño Reproductivo.
www.p65warnings.ca.gov

See page 441–446 for replacement parts.

ETi[®] 250 (CONT'D)

HIGH EFFICIENCY POOL AND SPA HEATER

Dimensions and Performance



MASTERTEMP® HEATER

HIGH PERFORMANCE HEATER

TRADEGRADE



MasterTemp High Performance Heater

Featured Highlights

- Now with smart connectivity, it's easier than ever to get the pool warm and ready whenever it's needed
- Digital connectivity with your pool's automation system and an advanced ignition control module with flame strength sensor help to ensure optimal heater performance
- MasterTemp Heater is certified for low NOx emissions
- Multi-position top panel allows digital display to be re-positioned for convenient operation
- Tough, rustproof exterior handles the heat and weathers the elements
- Certified for outdoor and indoor installations ¹
- Optional Smart Heater Bypass valve control diverts water flow when the heater isn't needed to help save up to 35% in yearly operational costs*

MasterTemp Heaters offer all the efficiency, convenience and reliability features you want in a pool heater, plus a lot more. As easy to use as your home heating system, plus, user-friendly LCD display and troubleshoot icons make system operation and monitoring a snap. The compact design and super-quiet operation won't intrude on your poolside leisure time. Heavy-duty (HD) unit with cupro-nickel exchanger for improved performance in more challenging applications, like low pH, high flow or heavy use.

Ordering Information

Product	Gas Type	BTU (000's)	Heat Exchanger Efficiency	Carton Wt. Lbs.
MASTERTEMP HEATERS				
460792	Natural	175	84%	128
460793	Propane	175	84%	128
460730	Natural	200	84%	128
460731	Propane	200	84%	128
461000	Natural	200 ASME	84%	138
461001	Propane	200 ASME	84%	138
460732	Natural	250	84%	133
460733	Propane	250	84%	133
460771	Natural	250 ASME	84%	140
460772	Propane	250 ASME	84%	140
460806	Natural	250HD	82%	136
461020	Natural	250 ASME HD	82%	140
460734	Natural	300	84%	136
460735	Propane	300	84%	136
460736	Natural	400	84%	136
460737	Propane	400	84%	136
460805	Natural	400HD	82%	136
460775	Natural	400 ASME	84%	149
460776	Propane	400 ASME	84%	149
461021	Natural	400 ASME HD	82%	149
461031	Air Intake Kit			
462048	Smart Heater Bypass Kit			

Note:
The MasterTemp High Performance Heater is certified for low NOx emissions.

CALIFORNIA PROPOSITION 65 WARNING

⚠️ **WARNING:** Cancer and Reproductive Harm.
 ⚠️ **AVERTISSEMENT:** Peut Causer le Cancer et des Dommages au Système Reproducteur.
 ⚠️ **ADVERTENCIA:** Cáncer y Daño Reproductivo.

www.p65warnings.ca.gov
P650717A

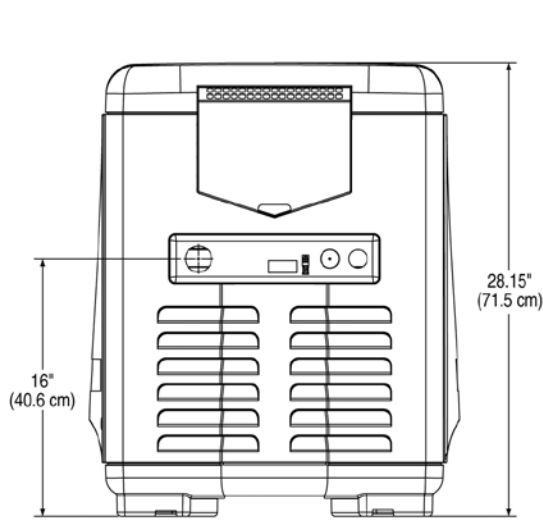
*Savings amount based on lab testing conducted using MasterTemp 400® heater in conjunction with IntelliFlo® VSF Pump and Bypass Kit, which includes IntelliValve® controlled by heater. Test Conditions: Pump flow rate: 50gpm. Pump run time: 3000 hours/yr. Heater run time: 100 hours/yr. Electrical Cost: \$0.21 per kWh. System TDH: Heater and Bypass Kit added to Standardized "Curve C" System Curve performance data as per California Energy Commission Title 20 Appliance Efficiency Regulations. Test conditions assume pump flow rate of 50gpm and Constant Flow operation utilizing a lower motor RPM when flow is bypassing the heater due to lower system TDH. Actual performance and any subsequent energy consumption/savings are dependent upon various characteristics of the plumbing system, including but not limited to, pipe size, pipe lengths, filter type, fittings, system design, equipment run time/settings and more.

¹ Certified by CSA in compliance with CSA/ANSI Z21.56:19/CSA 4.7:19

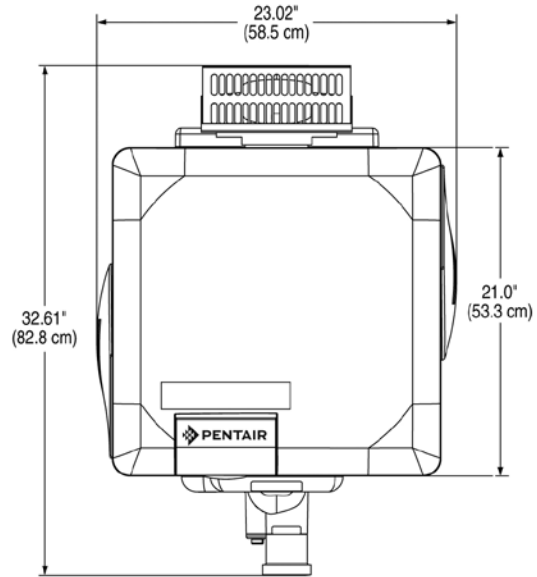
MASTERTEMP® HEATER (CONT'D)

HIGH PERFORMANCE HEATER

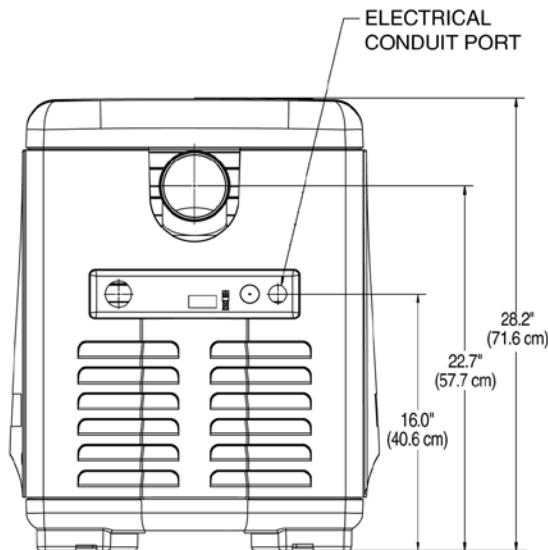
Dimensions and Performance



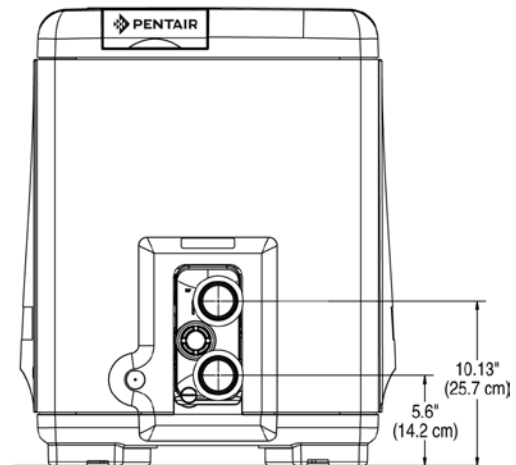
FRONT



TOP



EXHAUST SIDE



PLUMBING SIDE

See pages 447–451 for replacement parts.

MASTERTEMP® 125

HIGH PERFORMANCE HEATER

TRADEGRADE



MasterTemp 125 Heater

Featured Highlights

- Now with smart connectivity, it's easier than ever to get the pool warm and ready whenever it's needed
- Digital connectivity with your pool's automation system and an advanced ignition control module with flame strength sensor help to ensure optimal heater performance
- MasterTemp 125 Heater is certified for low NOx emissions ¹
- Multi-position top panel allows digital display to be re-positioned for convenient operation
- Tough, rustproof exterior handles the heat and weathers the elements
- Certified for outdoor and indoor installations
- 1-1/2 in. Plumbing connection — ideal for smaller bodies of water, including aboveground pools, spas and in-ground pools up to 15,000 gallons
- Available in natural gas or propane gas
- Lightweight: 80 lbs. — easy to handle and ship
- 3/4 in. gas line up to 50 ft. from source
- Optional Smart Heater Bypass valve control diverts water flow when the heater isn't needed to help save up to 35% in yearly operational costs*

The MasterTemp 125 Heater provides energy-savings and advanced operating features that were only available from much larger heaters. With its revolutionary pre-mixed gas combustion technology, the MasterTemp 125 Heater offers 82% thermal efficiency.² The advanced LCD display/controller provides more information and better control.

Ordering Information

Product	Gas Type	BTU (000's)	Carton Wt.
MASTERTEMP 125 HIGH PERFORMANCE HEATER			
461058	Natural, without cord	125	100
461059	Natural, with cord	125	100
461060	LP, without cord	125	100
461061	LP, with cord	125	100
474845	Air Intake Kit		
462048	Smart Heater Bypass Kit		

CALIFORNIA PROPOSITION 65 WARNING

⚠ **WARNING:** Cancer and Reproductive Harm.
 ⚠ **AVERTISSEMENT:** Peut Causer le Cancer et des Dommages au Système Reproducteur.
 ⚠ **ADVERTENCIA:** Cáncer y Daño Reproductivo.
www.p65warnings.ca.gov

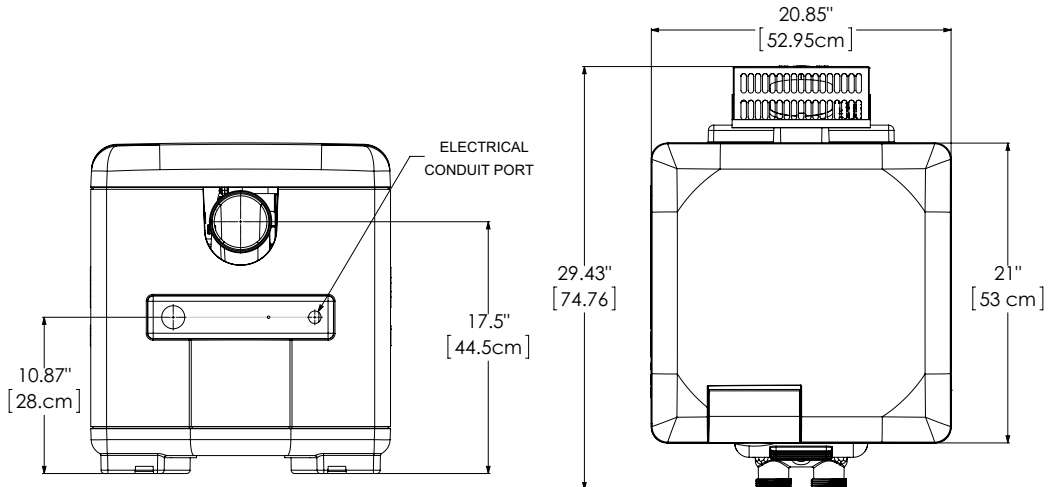
¹ Certified by a third party test lab and communicated to SCAQMD for Rule 1146.2

² Gas engine measures 82% thermal efficiency when tested per ANSI Z21.56:19/CSA 4.7:19 2019 section 5.10.

MASTERTEMP® 125 (CONT'D)

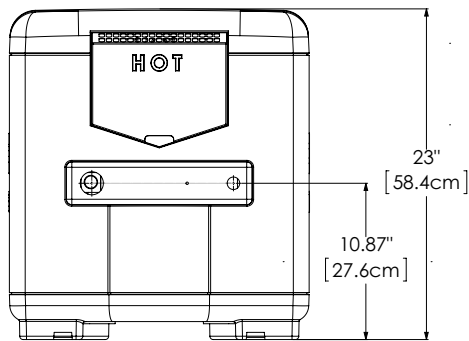
HIGH PERFORMANCE HEATER

Dimensions and Performance

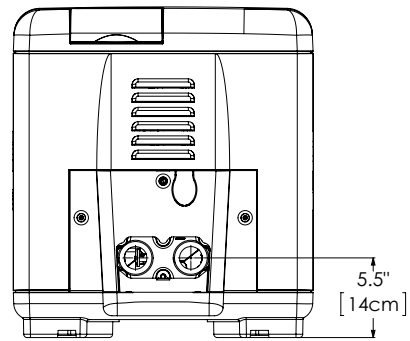


FRONT VIEW

TOP VIEW



EXHAUST SIDE VIEW



PLUMBING SIDE VIEW

MAX-E-THERM®

POOL AND SPA HEATER



TRADEGRADE



Max-E-Therm Pool and Spa Heater

Featured Highlights

- Now with smart connectivity, it's easier than ever to get the pool warm and ready whenever it's needed
- Digital connectivity with your pool's automation system and an advanced ignition control module with flame strength sensor help to ensure optimal heater performance
- Max-E-Therm Heater is certified for low NOx emissions*
- Multi-position top panel allows digital display to be re-positioned for convenient operation
- Tough, rustproof exterior handles the heat and weathers the elements
- Certified for outdoor and indoor installations
- Optional Smart Heater Bypass valve control diverts water flow when the heater isn't needed

For indoor or outdoor installations on pools and spas. Features include an LCD temperature readout with dual thermostat controls, temperature safety lockout, and six-position control panel. PMG burner technology requires no outdoor draft hood. Proven Dura-Glas™ Resin provides rust-proof construction. Heavy-duty (HD) unit with cupro-nickel exchanger for improved performance in more challenging applications, like low pH, high flow or heavy use.

Ordering Information

Product	Description	BTU (000's)	Heat Exchanger Efficiency	Carton Wt.
MAX-E-THERM POOL/SPA HEATER				
SR200NA	Max-E-Therm 200 BTU Natural Gas Heater	200	84%	131
SR200LP	Max-E-Therm 200 BTU Propane Gas Heater	200	84%	131
SR200HD	Max-E-Therm 200 BTU Heavy Duty Heater	200	82%	131
460767	Max-E-Therm 250 ASME Natural Gas Heater	250	84%	151
460768	Max-E-Therm 250 ASME Propane Gas Heater	250	84%	151
SR333NA	Max-E-Therm 333 BTU Natural Gas Heater	333	84%	138
SR333LP	Max-E-Therm 333 BTU Propane Gas Heater	333	84%	138
SR333HD	Max-E-Therm 333 BTU Heavy Duty Heater	333	82%	138
SR400NA	Max-E-Therm 400 BTU Natural Gas Heater	400	84%	138
SR400LP	Max-E-Therm 400 BTU Propane Gas Heater	400	84%	138
SR400HD	Max-E-Therm 400 BTU Heavy Duty Heater	400	82%	138
460763	Max-E-Therm 400 BTU ASME NA Heater	400	84%	149
460764	Max-E-Therm 400 ASME Propane Gas Heater	400	84%	149
475002	Air Intake Kit			
462048	Smart Heater Bypass Kit			

*Certified by a third party test lab and communicated to SCAQMD for Rule 1146.2

CALIFORNIA PROPOSITION 65 WARNING

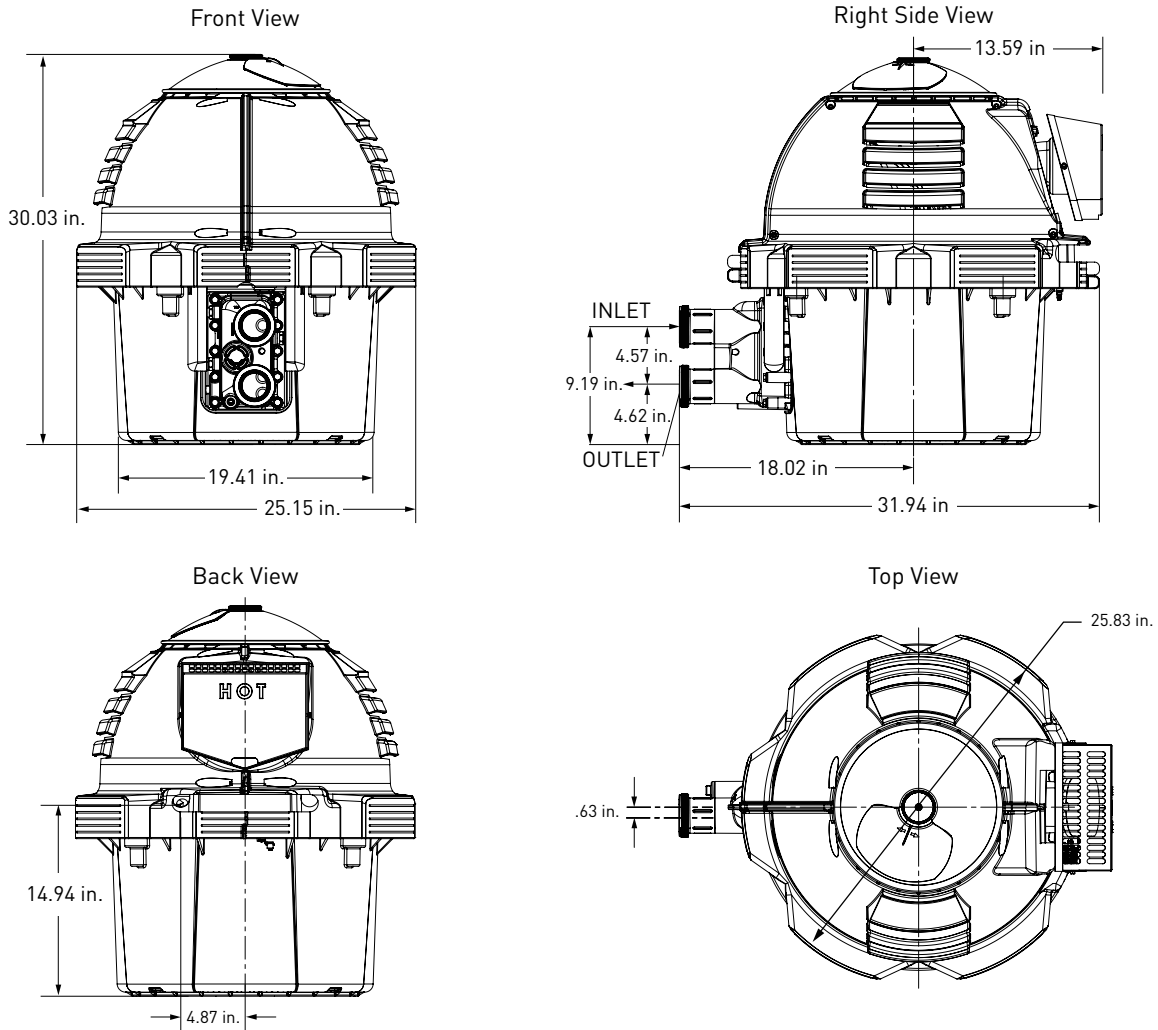
⚠️ **WARNING:** Cancer and Reproductive Harm.
 ⚠️ **AVERTISSEMENT:** Peut Causer le Cancer et des Dommages au Système Reproducteur.
 ⚠️ **ADVERTENCIA:** Cáncer y Daño Reproductivo.
www.p65warnings.ca.gov

*Savings amount based on lab testing conducted using MasterTemp 400® heater in conjunction with IntelliFlo® VSF Pump and Bypass Kit, which includes IntelliValve® controlled by heater. Test Conditions: Pump flow rate: 50gpm. Pump run time: 3000 hours/yr. Heater run time: 100 hours/yr. Electrical Cost: \$0.21 per kWh. System TDH: Heater and Bypass Kit added to Standardized "Curve C" System Curve performance data as per California Energy Commission Title 20 Appliance Efficiency Regulations. Test conditions assume pump flow rate of 50gpm and Constant Flow operation utilizing a lower motor RPM when flow is bypassing the heater due to lower system TDH. Actual performance and any subsequent energy consumption/savings are dependent upon various characteristics of the plumbing system, including but not limited to, pipe size, pipe lengths, filter type, fittings, system design, equipment run time/settings and more.

MAX-E-THERM® (CONT'D)

POOL AND SPA HEATER

Dimensions and Performance



MAX-E-THERM® AND MASTERTEMP® HEATER ACCESSORIES

Featured Highlights

- Optional Smart Heater Bypass valve control diverts water flow when the heater isn't needed

Ordering Information

Product	Description	Approx. Ship. Weight (Lbs.)
VERTICAL VENTING - NEGATIVE PRESSURE		
77707-0076	4 in. x 6 in. Metal Flue Collar	3
77707-0077	4 in. x 8 in. Metal Flue Collar	3
HORIZONTAL OR VERTICAL VENTING - POSITIVE PRESSURE		
77707-0086	Appliance Adapter, Stainless Steel - Manufactured by HeatFab® venting manufactured by Selkirk Corp. ²	3
77707-0087	Appliance Adapter, Stainless Steel - Manufactured by Z-Flex U.S. Venting	3
CONVERSION KITS - NATURAL GAS TO LPG		
461063	NG to LP Conversion Kit - Model 125	1
460794	NG to LP Conversion Kit - Model 175	1
77707-1461	Conversion Kit NG-LPG 200K for Pool and Spa Heater	1
460741	NG to Propane Conversion Kit - Model 250	1
460755	NG to Propane Conversion Kit - Model 300	1
77707-1451	Conversion Kit NG-LPG 333K for Pool and Spa Heater	1
77707-1441	Conversion Kit NG-LPG 400K for Pool and Spa Heater	1
CONVERSION KITS - LPG to NATURAL GAS		
461062	LP to NG Conversion Kit - Model 125	1
460795	LP to NG Conversion Kit - Model 175	1
77707-1431	Conversion Kit LPG-NG for 200K Pool and Spa Heater	1
460742	Propane to NG Conversion Kit - Model 250	1
460756	Propane to NG Conversion Kit - Model 300	1
77707-1421	Conversion Kit LPG-NG for 333K Pool and Spa Heater	1
77707-1411	Conversion Kit LPG-NG for 400K Pool and Spa Heater	1
HEATER ACCESSORIES		
42001-0085S	Heater Bolt Down Bracket Kit (Max-E-Therm)	1
460738	Heater Bolt Down Bracket Kit (MasterTemp)	1
PKG 188Z	Union Package (2" Unions)	1
474974	Union Package (1-1/2" Unions)	1
U11-197P	2 in. Adapter (for service loop)	1
461031	Direct Air Intake Duct Kit (MasterTemp)	5
475002	Direct Air Intake Duct Kit (Max-E-Therm)	5
474845	Direct Air Intake Duct Kit (MasterTemp 125)	5
SERVICE PROFESSIONAL PARTS KIT		
461100	Pro Service Package - Heater Master Package of Water & Electrical System Parts. Includes many common repair parts for Pentair & Sta-Rite heaters in reusable hard case ¹	5
461101	Pro Service Package - Heaters Electrical System Parts. Includes common Electrical System repair parts for Pentair & Sta-Rite heaters in reusable hard case ¹	3
461102	Pro Service Package - Heaters Water System Parts. Includes common Water System repair parts for Pentair & Sta-Rite heaters in reusable hard case ¹	3
461102	Smart Bypass Kit	

¹ Compatible with Pentair MasterTemp® High Performance Heaters, Sta-Rite Max-E-Therm® High Performance Heaters, Models 175/200/250/300/333/400. Not compatible with 125,000 BTU heater

See Engineering Data pages 607–618 for information on selecting the proper size heater and for gas supply and pipe sizing information.

² HeatFab® is a registered trademark of Hart & Cooley, Inc.

COMMERCIAL POWERMAX®

HIGH PERFORMANCE ELECTRONIC IGNITION HEATER

Featured Highlights

- Reliable operation in natural or propane models
- Fan-assisted and filtered combustion air
- Dual ignition systems for models greater than 750,000 BTU
- Built-in mixing system reduces condensation possibilities
- Fits through standard doorways
- Gas supply right or left side
- CSA Certified
- **CSD-1 and other options available. Contact factory for part numbers**



Commercial PowerMax Heater

When performance is critical, the PowerMax Heater provides peak efficiency and easy maintenance in both indoor and outdoor applications. Seven sizes delivering up to 85% efficiency ratings* and meeting all low NOx requirements.** PowerMax Heater is designed for operation to 10,000 foot elevation.

CALIFORNIA PROPOSITION 65 WARNING

▲ **WARNING:** Cancer and Reproductive Harm.
▲ **AVERTISSEMENT:** Peut Causer le Cancer et des Dommages au Système Reproducteur.
▲ **ADVERTENCIA:** Cáncer y Daño Reproductivo.
www.p65warnings.ca.gov

Ordering Information

Product	BTUs (000's)	Installation	Gas Type	Pump System	Heat Exchanger	Carton Wt. (Lbs.)
COMMERCIAL POWERMAX NATURAL GAS MODELS						
PM0500NACC3BXN	500	Indoor/Outdoor	Natural	Pump Mounted	Copper	495
PM0750NACC3BXN	750	Indoor/Outdoor	Natural	Pump Mounted	Copper	575
PM1000NACC3BXN	1000	Indoor/Outdoor	Natural	Pump Mounted	Copper	685
PM1250NACC3BXN	1250	Indoor/Outdoor	Natural	Pump Mounted	Copper	730
PM1500NACC3BXN	1500	Indoor/Outdoor	Natural	Pump Mounted	Copper	830
PM1750NACC3BXN	1750	Indoor/Outdoor	Natural	Pump Mounted	Copper	880
PM2000NACC3BXN	2000	Indoor/Outdoor	Natural	Pump Mounted	Copper	1025
PM0500NACC3PXN	500	Indoor/Outdoor	Natural	Pump Mounted	CuproNickel	495
PM0750NACC3PXN	750	Indoor/Outdoor	Natural	Pump Mounted	CuproNickel	575
PM1000NACC3PXN	1000	Indoor/Outdoor	Natural	Pump Mounted	CuproNickel	685
PM1250NACC3PXN	1250	Indoor/Outdoor	Natural	Pump Mounted	CuproNickel	730
PM1500NACC3PXN	1500	Indoor/Outdoor	Natural	Pump Mounted	CuproNickel	830
PM1750NACC3PXN	1750	Indoor/Outdoor	Natural	Pump Mounted	CuproNickel	880
PM2000NACC3PXN	2000	Indoor/Outdoor	Natural	Pump Mounted	CuproNickel	1025
COMMERCIAL POWERMAX PROPANE GAS MODELS						
PM0500PACC3BXN	500	Indoor/Outdoor	Propane	Pump Mounted	Copper	495
PM0750PACC3BXN	750	Indoor/Outdoor	Propane	Pump Mounted	Copper	575
PM1000PACC3BXN	1000	Indoor/Outdoor	Propane	Pump Mounted	Copper	685
PM1250PACC3BXN	1250	Indoor/Outdoor	Propane	Pump Mounted	Copper	730
PM1500PACC3BXN	1500	Indoor/Outdoor	Propane	Pump Mounted	Copper	830
PM1750PACC3BXN	1750	Indoor/Outdoor	Propane	Pump Mounted	Copper	880
PM2000PACC3BXN	2000	Indoor/Outdoor	Propane	Pump Mounted	Copper	1025
PM0500PACC3PXN	500	Indoor/Outdoor	Propane	Pump Mounted	CuproNickel	495
PM0750PACC3PXN	750	Indoor/Outdoor	Propane	Pump Mounted	CuproNickel	575
PM1000PACC3PXN	1000	Indoor/Outdoor	Propane	Pump Mounted	CuproNickel	685
PM1250PACC3PXN	1250	Indoor/Outdoor	Propane	Pump Mounted	CuproNickel	730
PM1500PACC3PXN	1500	Indoor/Outdoor	Propane	Pump Mounted	CuproNickel	830
PM1750PACC3PXN	1750	Indoor/Outdoor	Propane	Pump Mounted	CuproNickel	880
PM2000PACC3PXN	2000	Indoor/Outdoor	Propane	Pump Mounted	CuproNickel	1025
POWERMAX STACKING SYSTEMS						
Product	Type	Heater Model	Product	Type	Heater Model	
CA000800	Rack	PM500	CA001100	Rack	PM1250	
CA000900	Rack	PM750	CA001200	Rack	PM1500, PM1750	
CA0001000	Rack	PM1000	CA001300	Rack	PM2000	

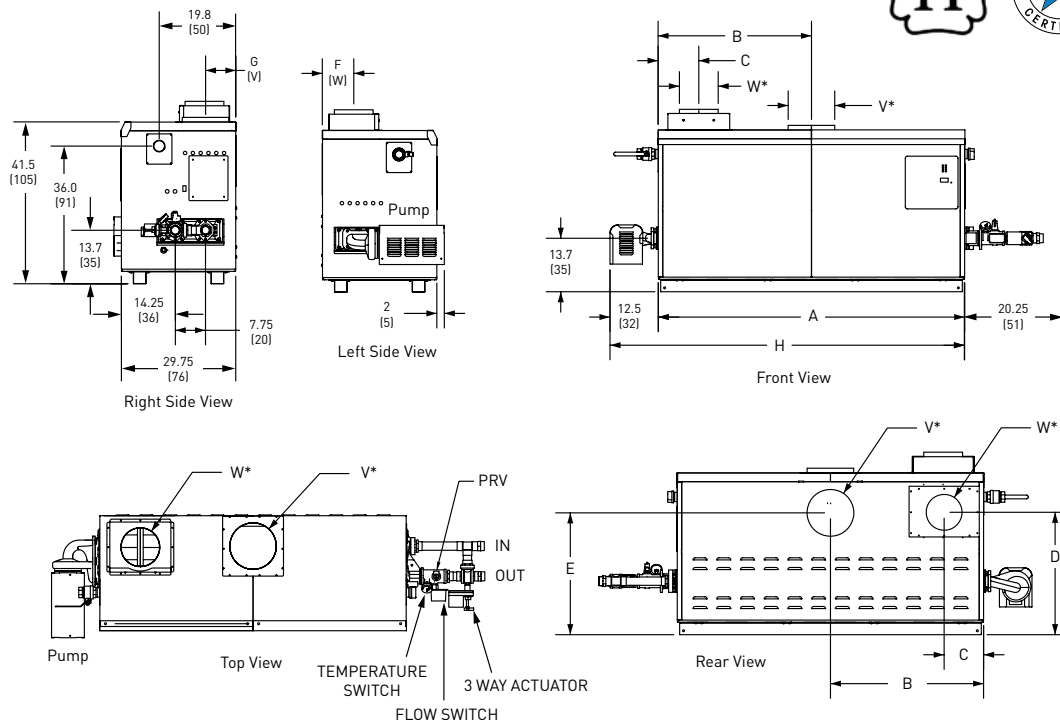
*Gas engine measures up to 85% thermal efficiency depending on size when tested per ANSI Z21.56:19/CSA 4.7:19 2019 section 5.10.

**Certified by a third party test lab and communicated to SCAQMD for Rule 1146.2

COMMERCIAL POWERMAX® (CONT'D)

HIGH PERFORMANCE ELECTRONIC IGNITION HEATER

Dimensions and Performance



Dimensional Data Dimensions shown in inches, cm.

Size (000's)	A	B	C	D	E	F	G	H	Air Conn. W*	Vent Conn. V*	Horiz. Vent Pipe											
500	33½	85	15¾	40	5¾	15	29¾	76	32¾	83	7¾	20	8¾	22	46	117	6	15	8	15	6	15
750	45½	116	21¾	55	5¾	15	29¾	76	32¾	83	7¾	20	8¾	22	58	147	6	15	10	20	8	15
1000	57½	146	28¾	73	5¾	15	29¾	76	32¾	83	7¾	20	7	18	70	178	8	20	10	25	8	20
1250	68	172	34	86	10¼	26	30¾	78	29½	75	8¾	22	8¾	22	80	203	8	20	12	30	8	20
1500	78½	199	39¾	101	10¼	26	30¾	78	29½	75	8¾	22	8¾	22	91	231	8	20	12	30	8	20
1750	89	226	44½	113	10¼	26	30¾	78	29½	75	8¾	22	8¾	22	101	256	8	20	14	36	8	20
2000	99½	253	49¾	126	10¼	26	30¾	78	29½	75	8¾	22	8¾	22	112	284	12	30	14	36	12	30

*Air and vent connections may be on top or back of the PowerMax, and are field convertible.

Sizing Data

Indoor Model	Input ¹ BTU/h x1000	Output ¹ BTU/h x1000	Gas Conn. Size inches ²	Heater Water Conn. Size inches ²	Mixing System Water Conn. Size inches ²	Shipping Weight lbs. kg
500	500	425	1¼	2	2	495 225
750	750	638	1¼	2	2	575 261
1000	999	849	1½	2½	2	685 311
1250	1250	1063	2	2½	2	730 331
1500	1500	1275	2	2½	2	830 377
1750	1750	1488	2	2½	2	880 400
2000	1999	1699	2	2½	2	1025 465

NOTES: 1. Input and output must be derated 2% per 1000 feet above sea level when installed above 2000 feet altitude.
 2. Dimensions are nominal.

Note: Contact factory at 1-800-831-7133 for replacement parts.

COMMERCIAL MEGATHERM®

HIGH PERFORMANCE ELECTRONIC IGNITION HEATER

Featured Highlights

- Electronic ignition
- Built-in draft diverter (indoor models) simplifies installation
- Integral pump assures proper water flow (models 500-1825)
- High temperature refractory firebox liner to 2000° F
- Easy-to-service header flanges
- Corrosion-resistant glass-lined headers
- CSA Certified
- **CSD-1 and other options available. Contact factory for part numbers**
- Start-up service by an authorized representative is strongly recommended before regular operation



Commercial MegaTherm Heater

CALIFORNIA PROPOSITION 65 WARNING
 ⚠️ **WARNING:** Cancer and Reproductive Harm.
 ⚠️ **AVERTISSEMENT:** Peut Causer le Cancer et des Dommages au Système Reproducteur.
 ⚠️ **ADVERTENCIA:** Cáncer y Daño Reproductivo.
www.p65warnings.ca.gov PN 202114

MegaTherm Pool Heaters are designed for commercial, institutional and large residential pools where economical performance and rapid heat-up are required. Available in indoor and outdoor models in both natural and propane. MegaTherm is design verified to the ANSI Z21.56 Standard for Gas-Fired Pool Heaters (Outdoor 5---1825 units are certified for use without the addition of a draft diverter or external vent. Indoor units incorporate a built-in draft diverter and require vent piping only.)

Ordering Information

Product	BTUs (000's)	Installation	Gas Type	Pump System	Heat Exchanger	Carton Wt. (Lbs.)
COMMERCIAL MEGATHERM NATURAL GAS MODELS						
MT0500IN09C1PC	500	Indoor	Natural	Pump Mounted	Copper	808
MT0600IN09C1PC	600	Indoor	Natural	Pump Mounted	Copper	819
MT0715IN09C1PC	715	Indoor	Natural	Pump Mounted	Copper	873
MT0850IN09C1PC	850	Indoor	Natural	Pump Mounted	Copper	945
MT0999IN09C1PC	999	Indoor	Natural	Pump Mounted	Copper	1041
MT1010IN09C1PC	1010	Indoor	Natural	Pump Mounted	Copper	1041
MT1200IN09C1PC	1200	Indoor	Natural	Pump Mounted	Copper	1199
MT1430IN09C1PC	1430	Indoor	Natural	Pump Mounted	Copper	1280
MT1670IN09CBPC	1670	Indoor	Natural	Pump Mounted	Copper	1445
MT1825IN09CBPC	1825	Indoor	Natural	Pump Mounted	Copper	1570
MT0500IN09C1PN	500	Indoor	Natural	Pump Mounted	CuproNickel	808
MT0600IN09C1PN	600	Indoor	Natural	Pump Mounted	CuproNickel	819
MT0715IN09C1PN	715	Indoor	Natural	Pump Mounted	CuproNickel	873
MT0850IN09C1PN	850	Indoor	Natural	Pump Mounted	CuproNickel	945
MT0999IN09C1PN	999	Indoor	Natural	Pump Mounted	CuproNickel	1041
MT1010IN09C1PN	1010	Indoor	Natural	Pump Mounted	CuproNickel	1041
MT1200IN09C1PN	1200	Indoor	Natural	Pump Mounted	CuproNickel	1199
MT1430IN09C1PN	1430	Indoor	Natural	Pump Mounted	CuproNickel	1280
MT1670IN09CBPN	1670	Indoor	Natural	Pump Mounted	CuproNickel	1445
MT1825IN09CBPN	1825	Indoor	Natural	Pump Mounted	CuproNickel	1570
MT0500EN09CBPC	500	Outdoor	Natural	Pump Mounted	Copper	855
MT0600EN09CBPC	600	Outdoor	Natural	Pump Mounted	Copper	949
MT0715EN09CBPC	715	Outdoor	Natural	Pump Mounted	Copper	1050
MT0850EN09CBPC	850	Outdoor	Natural	Pump Mounted	Copper	1100
MT0999EN09CBPC	999	Outdoor	Natural	Pump Mounted	Copper	1240
MT1010EN09CBPC	1010	Outdoor	Natural	Pump Mounted	Copper	1240
MT1200EN09CBPC	1200	Outdoor	Natural	Pump Mounted	Copper	1410
MT1430EN09CBPC	1430	Outdoor	Natural	Pump Mounted	Copper	1570
MT1670EN09CBPC	1670	Outdoor	Natural	Pump Mounted	Copper	1622
MT1825EN09CBPC	1825	Outdoor	Natural	Pump Mounted	Copper	1725
MT0500EN09CBPN	500	Outdoor	Natural	Pump Mounted	CuproNickel	855

COMMERCIAL MEGATHERM® (CONT'D)

HIGH PERFORMANCE ELECTRONIC IGNITION HEATER

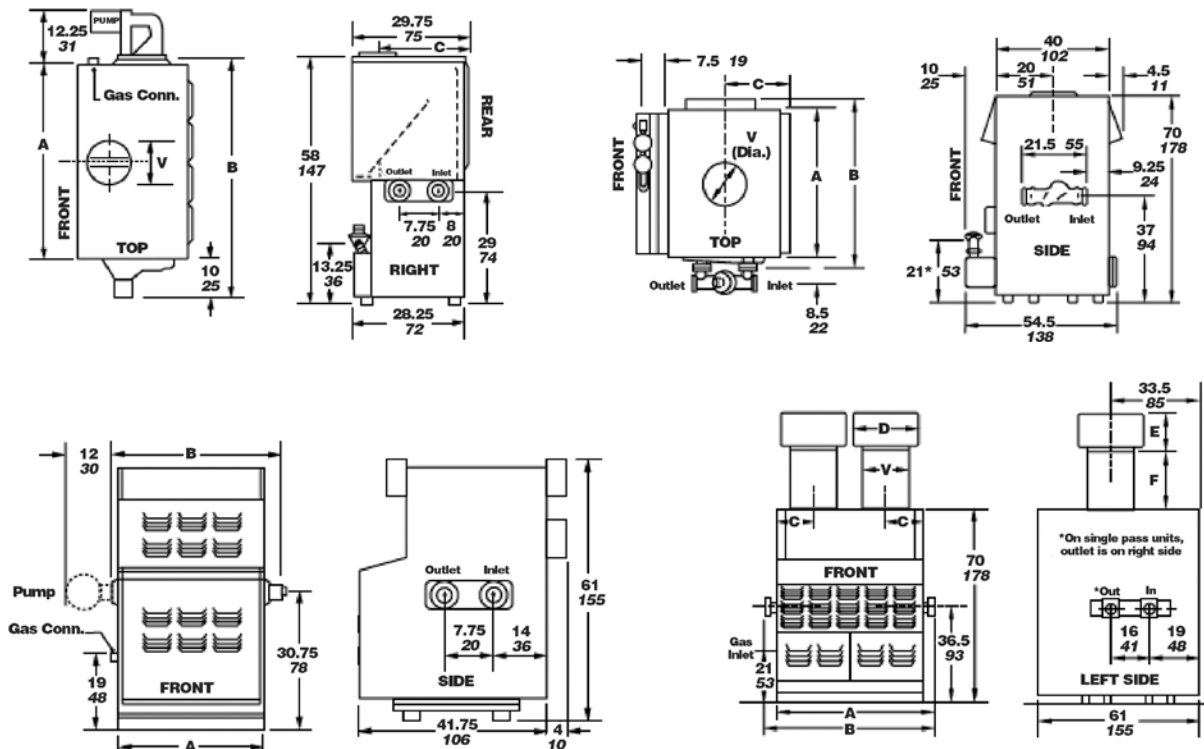
Product	BTUs (000's)	Installation	Gas Type	Pump System	Heat Exchanger	Carton Wt. (Lbs.)
COMMERCIAL MEGATHERM NATURAL GAS MODELS						
MT0600EN09CBPN	600	Outdoor	Natural	Pump Mounted	CuproNickel	949
MT0715EN09CBPN	715	Outdoor	Natural	Pump Mounted	CuproNickel	1050
MT0850EN09CBPN	850	Outdoor	Natural	Pump Mounted	CuproNickel	1100
MT0999EN09CBPN	999	Outdoor	Natural	Pump Mounted	CuproNickel	1240
MT1010EN09CBPN	1010	Outdoor	Natural	Pump Mounted	CuproNickel	1240
MT1200EN09CBPN	1200	Outdoor	Natural	Pump Mounted	CuproNickel	1410
MT1430EN09CBPN	1430	Outdoor	Natural	Pump Mounted	CuproNickel	1570
MT1670EN09CBPN	1670	Outdoor	Natural	Pump Mounted	CuproNickel	1622
MT1825EN09CBPN	1825	Outdoor	Natural	Pump Mounted	CuproNickel	1725
MT2000IN18CCAC	2000	Indoor	Natural	Less Pump	Copper	1950
MT2450IN18CCAC	2450	Indoor	Natural	Less Pump	Copper	2100
MT3050IN18CCAC	3050	Indoor	Natural	Less Pump	Copper	2250
MT3500IN18CCAC	3500	Indoor	Natural	Less Pump	Copper	2510
MT4050IN18CCAC	4050	Indoor	Natural	Less Pump	Copper	2750
MT4500IN18CCAC	4500	Indoor	Natural	Less Pump	Copper	2900
MT5000IN18CCAC	5000	Indoor	Natural	Less Pump	Copper	3200
MT2000IN18CCAN	2000	Indoor	Natural	Less Pump	CuproNickel	1950
MT2450IN18CCAN	2450	Indoor	Natural	Less Pump	CuproNickel	2100
MT3050IN18CCAN	3050	Indoor	Natural	Less Pump	CuproNickel	2250
MT3500IN18CCAN	3400	Indoor	Natural	Less Pump	CuproNickel	2510
MT4050IN18CCAN	4050	Indoor	Natural	Less Pump	CuproNickel	2750
MT4500IN18CCAN	4500	Indoor	Natural	Less Pump	CuproNickel	2900
MT5000IN18CCAN	5000	Indoor	Natural	Less Pump	CuproNickel	3200
MT2200EN18CCAC	2200	Outdoor	Natural	Less Pump	Copper	2320
MT2800EN18CCAC	2800	Outdoor	Natural	Less Pump	Copper	2500
MT3200EN18CCAC	3200	Outdoor	Natural	Less Pump	Copper	2840
MT3600EN18CCAC	3600	Outdoor	Natural	Less Pump	Copper	3175
MT4000EN18CCAC	4000	Outdoor	Natural	Less Pump	Copper	3940
MT4500EN18CCAC	4500	Outdoor	Natural	Less Pump	Copper	3790
MT2200EN18CCAN	2200	Outdoor	Natural	Less Pump	CuproNickel	2320
MT2800EN18CCAN	2800	Outdoor	Natural	Less Pump	CuproNickel	2500
MT3200EN18CCAN	3200	Outdoor	Natural	Less Pump	CuproNickel	2840
MT3600EN18CCAN	3600	Outdoor	Natural	Less Pump	CuproNickel	3175
MT4000EN18CCAN	4000	Outdoor	Natural	Less Pump	CuproNickel	3940
MT4500EN18CCAN	4500	Outdoor	Natural	Less Pump	CuproNickel	3790
COMMERCIAL MEGATHERM PROPANE MODELS						
MT0500IP09C1PC	500	Indoor	Propane	Pump Mounted	Copper	808
MT0600IP09C1PC	600	Indoor	Propane	Pump Mounted	Copper	819
MT0715IP09C1PC	715	Indoor	Propane	Pump Mounted	Copper	873
MT0850IP09C1PC	850	Indoor	Propane	Pump Mounted	Copper	945
MT0999IP09C1PC	999	Indoor	Propane	Pump Mounted	Copper	1041
MT1010IP09C1PC	1010	Indoor	Propane	Pump Mounted	Copper	1041
MT1200IP09C1PC	1200	Indoor	Propane	Pump Mounted	Copper	1199
MT1430IP09C1PC	1430	Indoor	Propane	Pump Mounted	Copper	1280
MT1670IP09CBPC	1670	Indoor	Propane	Pump Mounted	Copper	1445
MT1825IP09CBPC	1825	Indoor	Propane	Pump Mounted	Copper	1570
MT0500IP09C1PN	500	Indoor	Propane	Pump Mounted	CuproNickel	808
MT0600IP09C1PN	600	Indoor	Propane	Pump Mounted	CuproNickel	819
MT0715IP09C1PN	715	Indoor	Propane	Pump Mounted	CuproNickel	873
MT0850IP09C1PN	850	Indoor	Propane	Pump Mounted	CuproNickel	945

COMMERCIAL MEGATHERM® (CONT'D)

HIGH PERFORMANCE ELECTRONIC IGNITION HEATER

Product	BTUs (000's)	Installation	Gas Type	Pump System	Heat Exchanger	Carton Wt. (Lbs.)
COMMERCIAL MEGATHERM PROPANE MODELS						
MT0999IP09C1PN	999	Indoor	Propane	Pump Mounted	CuproNickel	1041
MT1010IP09C1PN	1010	Indoor	Propane	Pump Mounted	CuproNickel	1041
MT1200IP09C1PN	1200	Indoor	Propane	Pump Mounted	CuproNickel	1199
MT1430IP09C1PN	1430	Indoor	Propane	Pump Mounted	CuproNickel	1280
MT1670IP09CBPN	1670	Indoor	Propane	Pump Mounted	CuproNickel	1445
MT1825IP09CBPN	1825	Indoor	Propane	Pump Mounted	CuproNickel	1570
MT0500EP09CBPC	500	Outdoor	Propane	Pump Mounted	Copper	855
MT0600EP09CBPC	600	Outdoor	Propane	Pump Mounted	Copper	949
MT0715EP09CBPC	715	Outdoor	Propane	Pump Mounted	Copper	1050
MT0850EP09CBPC	850	Outdoor	Propane	Pump Mounted	Copper	1100
MT0999EP09CBPC	999	Outdoor	Propane	Pump Mounted	Copper	1240
MT1010EP09CBPC	1010	Outdoor	Propane	Pump Mounted	Copper	1240
MT1200EP09CBPC	1200	Outdoor	Propane	Pump Mounted	Copper	1410
MT1430EP09CBPC	1430	Outdoor	Propane	Pump Mounted	Copper	1570
MT1670EP09CBPC	1670	Outdoor	Propane	Pump Mounted	Copper	1622
MT1825EP09CBPC	1825	Outdoor	Propane	Pump Mounted	Copper	1725
MT0500EP09CBPN	500	Outdoor	Propane	Pump Mounted	CuproNickel	855
MT0600EP09CBPN	600	Outdoor	Propane </td <td>Pump Mounted</td> <td>CuproNickel</td> <td>949</td>	Pump Mounted	CuproNickel	949
MT0715EP09CBPN	715	Outdoor	Propane	Pump Mounted	CuproNickel	1050
MT0850EP09CBPN	850	Outdoor	Propane	Pump Mounted	CuproNickel	1100
MT0999EP09CBPN	999	Outdoor	Propane	Pump Mounted	CuproNickel	1240

Dimensions and Performance



ULTRATEMP® HEAT PUMP

HIGH PERFORMANCE HEAT PUMP

TRADEGRADE



UltraTemp 120Q Heat Pump

Featured Highlights

- 100% titanium heat exchanger assures corrosion-resistant performance for extra long life
- LCD control board displays an intuitive menu-driven read out with easy to follow full word messages; no more codes
- Automatic defrost feature senses refrigerant temperature and prevents freezing, allowing the heat pump to operate at even lower temperatures
- Compatible with ALL automated control packages
- Long-life corrosion resistant plastic composite cabinet stands up to severe climates and pool chemicals
- ETL certified safe for operation
- Thermostatic Expansion Valve (TXV) controls refrigerant flow for optimum efficiency and BTU output over a wider operating range
- High efficiency, meets or exceeds existing codes and standards
- BTU and efficiency performance independently certified by the Air-Conditioning, Heating and Refrigeration Institute, AHRI

UltraTemp Heat Pumps are manufactured with non-ozone depleting R410 refrigerant.

Ordering Information

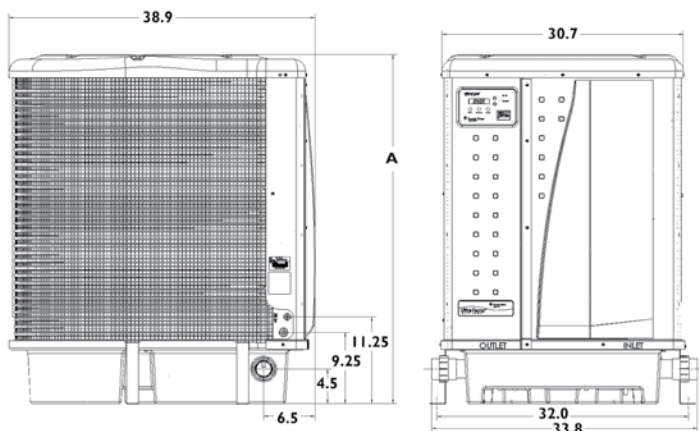
Part #		Model	80/80/80* BTU/COP	80/63/80* BTU/COP	50/63/80* BTU/COP	Freq (Hz)	Breaker Size (amp)	Phase	Volt	Ctn Qty.	Ctn Wt.	"A" Dim.
BLACK	ALMOND											
ULTRATEMP HEAT PUMPS												
460960	460930	70	75,000/5.9	70,000/5.7	50,000/4.0	60	40	1	230	1	290	33.5
460961	460931	90	90,000/5.8	85,000/5.6	60,000/4.0	60	50	1	230	1	300	33.5
460962	460932	110	110,000/6.1	101,000/5.8	70,000/4.0	60	50	1	230	1	271	45.5
460863	460833	120Q	127,000/5.7	120,000/5.5	80,000/4.0	60	50	1	230	1	270	48.1
460964	460934	140	145,000/5.8	135,000/5.6	90,000/4.0	60	50	1	230	1	335	45.5
460965	460935	120 H/C	125,000 Heat/5.5 71,000 Cool/4.1	118,000/5.3	80,000/4.0	60	50	1	230	1	283	45.5
460959	460958	140 H/C	140,000 Heat/5.6 71,000 Cool/4.1	132,000/5.4	85,000/4.0	60	50	1	230	1	344	45.5
462033	462032	140 H/C AD	138,000 Heat/5.6 70,000 Cool/4.1	130,000/5.4	84,000/4.0	60	50	1	230	1	344	45.5
460967	460937	120C	122,000/5.5	114,000/5.3	76,000/4.0	60	50	3	230	1	264	45.5
460929	460928	140C	140,000/5.7	130,000/5.5	85,000/4.0	60	50	3	230	1	335	45.5

*Rating in accordance with AHRI Standard 1160 (air temp. °F. / % relative humidity / water temp °F.)

CALIFORNIA PROPOSITION 65 WARNING

⚠ **WARNING:** Cancer and Reproductive Harm.
 ⚠ **AVERTISSEMENT:** Peut Causer le Cancer et des Dommages au Système Reproducteur.
 ⚠ **ADVERTENCIA:** Cáncer y Daño Reproductivo.
www.p65warnings.ca.gov

Dimensions and Performance



The AHRI Certified® Mark is applied only to HVACR equipment and components that have been independently tested to certify manufacturers' performance claims are accurate. Visit www.ahrirectory.org for a complete list of certified products.

CEC indicates that Heat Pump has been evaluated to California Title-20, listed in the California Energy Commission's (CEC) database of compliant heat pumps, and certified to use on Residential Swimming Pool Filtration Systems.

See pages 465–466 for replacement parts.



IN-FLOOR CLEANING & CIRCULATION

G4V

COMPLETE CLEANING HEADS



G4V Complete White

Featured Highlights

- Superior energy efficiency as compared to non-venturi cleaning heads
- Allows pool to circulate water and properly clean, even at reduced pump speeds
- Directs water to the pool floor for a more even temperature
- Helps ensure a more even dispersment of chemicals

CALIFORNIA PROPOSITION 65 WARNING

⚠ **WARNING:** Cancer and Reproductive Harm.
 ⚠ **AVERTISSEMENT:** Peut Causer le Cancer et des Dommages au Système Reproducteur.
 ⚠ **ADVERTENCIA:** Cáncer y Daño Reproductivo.
www.p65warnings.ca.gov

Pentair G4V cleaning head harnesses the power of venturi technology to help improve your system's cleaning capability. As your pump drives water through the nozzle, our proprietary venturi head design creates a vacuum which generates additional flow strength, augmenting the cleaning power at no extra cost.

Ordering Information

A&A Item #	Pentair Item #	Product Name & Description
G4V COMPLETE HEADS W/ PROTECTA FOAM W/ RISER (Internal, Floor Fitting, Color Ring, Slurry Cap, Riser, & Protecta)		
565407	221004	G4V Complete with Riser Black
565415	221003	G4V Complete with Riser Dark Gray
565423	221007	G4V Complete with Riser Tan
565431	221001	G4V Complete with Riser White
565440	221008	G4V Complete with Riser Gold
565458	221006	G4V Complete with Riser Dark Blue
565466	221005	G4V Complete with Riser Euro Blue
567681	221002	G4V Complete with Riser Light Gray
G4V COMPLETE HEADS W/ PROTECTA FOAM (Internal, Floor Fitting, Color Ring, Slurry Cap, & Protecta)		
586401	230122	G4V Complete Black
586443	230123	G4V Complete Dark Gray
586460	230124	G4V Complete Tan
586478	230125	G4V Complete White
586435	230126	G4V Complete Gold
586419	230127	G4V Complete Dark Blue
586427	230128	G4V Complete Euro Blue
586451	230129	G4V Complete Light Gray

G4V (CONT'D)

COMPLETE CLEANING HEADS

A&A Item #	Pentair Item #	Product Name & Description
G4VHP COMPLETE HEADS W/ PROTECTA FOAM W/ RISER (Internal, Floor Fitting, Color Ring, Slurry Cap, Riser, & Protecta)		
569838	230160	G4VHP Complete with Riser Black
569846	230161	G4VHP Complete with Riser Dark Gray
569854	230162	G4VHP Complete with Riser Tan
569862	230163	G4VHP Complete with Riser White
569871	230164	G4VHP Complete with Riser Gold
569889	230165	G4VHP Complete with Riser Dark Blue
569897	230166	GV4HP Complete with Riser Euro Blue
569900	230167	G4VHP Complete with Riser Light Gray
G4VHP COMPLETE HEADS W/ PROTECTA FOAM (Internal, Floor Fitting, Color Ring, Slurry Cap, & Protecta)		
586486	230130	G4VHP Complete Black
586523	230131	G4VHP Complete Dark Gray
586540	230132	G4VHP Complete Tan
586558	230133	G4VHP Complete White
586515	230134	G4VHP Complete Gold
586494	230135	G4VHP Complete Dark Blue
586507	230136	GV4HP Complete Euro Blue
586531	230137	G4VHP Complete Light Gray
G4 HEADS COMPLETE ADJUSTIBLE ORIFICE W/ RISER (Internal, Floor Fitting, Color Ring, Slurry Cap, Riser, & Protecta)		
565474	222004	G4 Adjust Orifice Comp with Riser Black
565482	222003	G4 Adjust Orifice Comp with Riser Dark Gray
565491	222007	G4 Adjust Orifice Comp with Riser Tan
565503	222001	G4 Adjust Orifice Comp with Riser White
565511	222008	G4 Adjust Orifice Comp with Riser Gold
565520	222006	G4 Adjust Orifice Comp with Riser Dark Blue
565538	222005	G4 Adjust Orifice Comp with Riser Euro Blue
567701	222002	G4 Adjust Orifice Comp with Riser Light Gray
G4 HEADS COMPLETE ADJUSTIBLE ORIFICE (Internal, Floor Fitting, Color Ring, Slurry Cap, & Protecta)		
586321	230138	G4 Adjust Orifice Comp Black
586363	230139	G4 Adjust Orifice Comp Dark Gray
586380	230140	G4 Adjust Orifice Comp Tan
586398	230141	G4 Adjust Orifice Comp White
586355	230142	G4 Adjust Orifice Comp Gold
586339	230144	G4 Adjust Orifice Comp Dark Blue
586347	230145	G4 Adjust Orifice Comp Euro Blue
586371	230143	G4 Adjust Orifice Comp Light Gray

STYLE 2

COMPLETE CLEANING HEADS



Style 2 HF Complete White



Style 2 Vinyl G2 Complete White



Style 2 Vinyl HF Complete White

Ordering Information

A&A Item #	Pentair Item #	Product Name & Description
STYLE 2 COMPLETE HEADS (Floor Fitting, Style 2 Internal, & Riser)		
523291	229344	Style 2 HF Complete Black
523303	229343	Style 2 HF Complete Gray
523311	229347	Style 2 HF Complete Tan
523320	229341	Style 2 HF Complete White
538767	229348	Style 2 HF Complete Gold
523581	229244	Style 2 LF Complete Black
523590	229243	Style 2 LF Complete Gray
523602	229247	Style 2 LF Complete Tan
523611	229241	Style 2 LF Complete White
538783	229248	Style 2 LF Complete Gold
G2/G2V COMPLETE VINYL HEADS (Floor Fitting, Internal, & Color Ring)		
569580	228066	Style 2 Vinyl G2 Complete Dark Blue
569598	228062	Style 2 Vinyl G2 Complete Light Gray
569601	228061	Style 2 Vinyl G2 Complete White
569555	228166	Vinyl G2V Complete Dark Blue
569563	228162	Vinyl G2V Complete Light Gray
569571	228161	Vinyl G2V Complete White
STYLE 2 COMPLETE VINYL CLEANING HEADS (includes 3-piece floor fitting and internal)		
524365	229369	Style 2 Vinyl HF Complete Blue
524373	229049	Style 2 Vinyl LF Complete Blue
541974	229361	Style 2 Vinyl HF Complete White
541982	229201	Style 2 Vinyl LF Complete White
551081	229362	Style 2 Vinyl HF Complete Gray
551099	229202	Style 2 Vinyl LF Complete Gray
558653	229366	Style 2 Vinyl HF Complete Dark Blue
558661	229206	Style 2 Vinyl LF Complete Dark Blue

CALIFORNIA PROPOSITION 65 WARNING

⚠️ **WARNING:** Cancer and Reproductive Harm.
 ⚠️ **AVERTISSEMENT:** Peut Causer le Cancer et des Dommages au Système Reproducteur.
 ⚠️ **ADVERTENCIA:** Cáncer y Daño Reproductivo.

www.p65warnings.ca.gov
P650174A

G4 / G4V / G4VHP INTERNAL HEADS

CLEANING HEAD INTERNALS & PARTS



G4V Internal White



G4VHP Internal White



G4 Internal White

Ordering Information

A&A Item #	Pentair Item #	Product Name & Description
G4V FLOOR FITTING ASSEMBLY NO RISER (Floor Fitting, Color Ring, Slurry Cap, & Protecta)		
574696	232104	G4 Floor Fitting Assembly Black
574709	232103	G4 Floor Fitting Assembly Dark Gray
574717	232107	G4 Floor Fitting Assembly Tan
574725	232101	G4 Floor Fitting Assembly White
574733	232108	G4 Floor Fitting Assembly Gold
574741	232106	G4 Floor Fitting Assembly Dark Blue
574750	232105	G4 Floor Fitting Assembly Euro Blue
574768	232102	G4 Floor Fitting Assembly Light Gray
G4V FLOOR FITTING ASSEMBLY WITH RISER (Floor Fitting, Color Ring, Slurry Cap, & Protecta)		
574821	232504	G4 Floor Fitting Assembly Black, with Riser
574830	232503	G4 Floor Fitting Assembly Dark Gray, with Riser
574848	232507	G4 Floor Fitting Assembly Tan, with Riser
574856	232501	G4 Floor Fitting Assembly White, with Riser
574864	230157	G4 Floor Fitting Assembly Gold, with Riser
574872	232506	G4 Floor Fitting Assembly Dark Blue, with Riser
574881	232505	G4 Floor Fitting Assembly Euro Blue, with Riser
574899	232502	G4 Floor Fitting Assembly Light Gray, with Riser

CALIFORNIA PROPOSITION 65 WARNING

⚠️ **WARNING:** Cancer and Reproductive Harm.
 ⚠️ **AVERTISSEMENT:** Peut Causer le Cancer et des Dommages au Système Reproducteur.
 ⚠️ **ADVERTENCIA:** Cáncer y Daño Reproductivo.
www.p65warnings.ca.gov

G4 / G4V / G4VHP INTERNAL HEADS (CONT'D)

CLEANING HEAD INTERNALS & PARTS

A&A Item #	Pentair Item #	Product Name & Description
G4V INTERNAL HEADS		
565546	231204	G4V Internal Black
565554	231203	G4V Internal Dark Gray
565562	231207	G4V Internal Tan
565571	231201	G4V Internal White
565589	231208	G4V Internal Gold
565597	231206	G4V Internal Dark Blue
565600	231205	G4V Internal Euro Blue
567630	231202	G4V Internal Light Gray
G4V COMPONENTS		
547751	232404Z	G4 / G4V / G4VHP Color Ring Black
547760	232408Z	G4 / G4V / G4VHP Color Ring Gold
547778	232403Z	G4 / G4V / G4VHP Color Ring Dark Gray
547786	232407Z	G4 / G4V / G4VHP Color Ring Tan
547794	232401Z	G4 / G4V / G4VHP Color Ring White
558733	232406Z	G4 / G4V / G4VHP Color Ring Dark Blue
561705	232405Z	G4 / G4V / G4VHP Color Ring Euro Blue
559621	232402Z	G4 / G4V / G4VHP Color Ring Light Gray
548164	231100	G4 / G4V / G4VHP Floor Fitting
550424	232120	G4 / G4V / G4VHP Metric Floor Fitting
548308	236770	G4 / G4V / G4VHP O-Ring (Round)
574303	236079	Plaster Cap
585256	230158	G4 / G4V / G4VHP Riser Pipe Pack 20
585264	230159	G4 / G4V / G4VHP Riser Pipe Pack 40
G4VHP INTERNAL HEADS		
569678	233204	G4VHP Internal Black
569686	233203	G4VHP Internal Dark Gray
569694	233207	G4VHP Internal Tan
569707	233201	G4VHP Internal White
569715	233208	G4VHP Internal Gold
569723	233206	G4VHP Internal Dark Blue
569731	233205	G4VHP Internal Euro Blue
569740	233202	G4VHP Internal Light Gray
G4 INTERNAL HEADS ADJUSTABLE ORIFICE (Also fits discontinued G3)		
565618	232204	G4 Internal Black
565626	232203	G4 Internal Dark Gray
565634	232207	G4 Internal Tan
565642	232201	G4 Internal White
565651	232208	G4 Internal Gold
565669	232206	G4 Internal Dark Blue
565677	232205	G4 Internal Euro Blue
567656	232202	G4 Internal Light Gray

STYLE 2 INTERNALS

CLEANING HEAD INTERNALS & PARTS



Style 2 HF Internal
White



Style 2 Floor Fitting
White



Style 2 Vinyl HF
Internal White



Style 2 Complete Vinyl
Heads White

Ordering Information

A&A Item #	Pentair Item #	Product Name & Description
STYLE 2 INTERNAL HEADS		
521480	236344	Style 2 HF Internal Black
521498	236343	Style 2 HF Internal Dark Gray
551021	236342	Style 2 HF Internal Light Gray
521501	236347	Style 2 HF Internal Tan
521519	236341	Style 2 HF Internal White
538775	236348	Style 2 HF Internal Gold
521818	236244	Style 2 LF Internal Black
521826	236243	Style 2 LF Internal Dark Gray
551030	236242	Style 2 LF Internal Light Gray
521834	236247	Style 2 LF Internal Tan
521842	236241	Style 2 LF Internal White
538791	236240	Style 2 LF Internal Gold

CALIFORNIA PROPOSITION 65 WARNING
 ⚠️ **WARNING:** Cancer and Reproductive Harm.
 ⚠️ **AVERTISSEMENT:** Peut Causer le Cancer et des Dommages au Système Reproducteur.
 ⚠️ **ADVERTENCIA:** Cáncer y Daño Reproductivo.
www.p65warnings.ca.gov PA620174A

STYLE 2 INTERNALS (CONT'D)

CLEANING HEAD INTERNALS & PARTS

A&A Item #	Pentair Item #	Product Name & Description
STYLE 2 COMPONENTS		
516699	236040	Style 2 O-Ring (Round)
516963	236144	Style 2 Floor Fitting Black
516971	236143	Style 2 Floor Fitting Dark Gray
516980	236147	Style 2 Floor Fitting Tan
516998	236141	Style 2 Floor Fitting White
538724	236148	Style 2 Floor Fitting Gold
STYLE 2 INTERNAL VINYL HEADS		
521691	236349	Style 2 Vinyl HF Internal Blue
521519	236341	Style 2 Vinyl HF Internal White
551021	236342	Style 2 Vinyl HF Internal Light Gray
558637	236346	Style 2 Vinyl HF Internal Dark Blue
522028	236359	Style 2 Vinyl LF Internal Blue
521842	236241	Style 2 Vinyl LF Internal White
551030	236242	Style 2 Vinyl LF Internal Light Gray
558645	236246	Style 2 Vinyl LF Internal Dark Blue
STYLE 2 VINYL COMPONENTS		
516710	236169	Style 2 Vinyl Body Blue
541931	236661	Style 2 Vinyl Body White
551048	236062	Style 2 Vinyl Body Light Gray
558557	236946	Style 2 Vinyl Body Dark Blue
516728	236069	Style 2 Vinyl Liner Top Plate & Seal Blue
541958	236061	Style 2 Vinyl Liner Top Plate & Seal White
551064	236060	Style 2 Vinyl Liner Top Plate & Seal Light Gray
558573	236066	Style 2 Vinyl Liner Top Plate & Seal Dark Blue
516736	236369	Style 2 Vinyl Liner Thread Lock Blue
541940	236761	Style 2 Vinyl Liner Thread Lock White
551056	236862	Style 2 Vinyl Liner Thread Lock Light Gray
558565	236166	Style 2 Vinyl Liner Thread Lock Dark Blue

G2 RETRO INTERNALS W/ VARIABLE FLOW ORIFICES

CLEANING HEAD INTERNALS & PARTS



G2 Retro Internal White



G2V Retro Internal White

Ordering Information

A&A Item #	Pentair Item #	Product Name & Description
G2 RETRO INTERNALS W/ VARIABLE FLOW ORIFICES (Upgrade from Style 2)		
566979	236704	G2 Retro Internal Black
566987	236683	G2 Retro Internal Dark Gray
566995	236671	G2 Retro Internal White
567832	236612	G2 Retro Internal Light Gray
567859	236706	G2 Retro Internal Dark Blue
G2V RETRO INTERNALS (Requires Design Criteria, call for details)		
566944	236744	G2V Retro Internal Black
566952	236703	G2V Retro Internal Dark Gray
566961	236701	G2V Retro Internal White
567824	236702	G2V Retro Internal Light Gray
567841	236786	G2V Retro Internal Dark Blue

CALIFORNIA PROPOSITION 65 WARNING

⚠️ **WARNING:** Cancer and Reproductive Harm.
 ⚠️ **AVERTISSEMENT:** Peut Causer le Cancer et des Dommages au Système Reproducteur.
 ⚠️ **ADVERTENCIA:** Cáncer y Daño Reproductivo.
www.p65warnings.ca.gov

STYLE 1 INTERNALS

CLEANING HEAD INTERNALS & PARTS



Style 1 High Flow Internal White



Style 1 High Flow
("Double Port / Flow")



Style 1 Low Flow Internal

Ordering Information

A&A Item #	Pentair Item #	Product Name & Description
STYLE 1 INTERNALS		
521404	236354	Style 1 High Flow Internal Black
521412	236353	Style 1 High Flow Internal Dark Gray
521421	236357	Style 1 High Flow Internal Tan
521439	236351	Style 1 High Flow Internal White
567242	236751	Style 1 High Flow ("Double Port / Flow") White
521771	236254	Style 1 Low Flow Internal Black
521789	236252	Style 1 Low Flow Internal Dark Gray
521797	236257	Style 1 Low Flow Internal Tan
521800	236251	Style 1 Low Flow Internal White
STYLE 1 COMPONENTS		
516664	236950	Style 1 O-Ring (Square)

CALIFORNIA PROPOSITION 65 WARNING

⚠ **WARNING:** Cancer and Reproductive Harm.
 ⚠ **AVERTISSEMENT:** Peut Causer le Cancer
 et des Dommages au Système Reproducteur.
 ⚠ **ADVERTENCIA:** Cáncer y Daño Reproductivo.
www.p65warnings.ca.gov

CLEANING HEAD ACCESSORIES & TOOLS



G4 / G4V / G4VHP Metal Installation Tool



G4 / G4V / G4VHP Pressure Systems Test Kit



G4 / G4V / G4VHP Test / Winterizing Plug



Pipe Reamer Tool for 2" PVC Schedule 40

Ordering Information

A&A Item #	Pentair Item #	Product Name & Description
G4 / G4V / G4VHP		
547508	229910	G4 / G4V / G4VHP Plastic Installation Tool
550272	229600	G4 / G4V / G4VHP Metal Installation Tool
548295	229700	G4 / G4V / G4VHP Pressure System Test Kit
549087	231000	G4 / G4V / G4VHP Test / Winterizing Plug
522116	229601	Pipe Reamer Tool for 2" PVC Schedule 40
STYLE 2		
516752	236200	Style 2 Riser Pipe (15" PVC)
522079	229940	Style 2 Plastic Installation Tool
582531	229642	Style 2 Metal Installation Tool
539461	230040	Syle 2 System Pressure Test Kit
STYLE 1		
522061	229950	Style 1 Plastic Installation Tool
G2 / G2V		
522132	229960	Vinyl Liner Lock Tool

CALIFORNIA PROPOSITION 65 WARNING
 ⚠️ **WARNING:** Cancer and Reproductive Harm.
 ⚠️ **AVERTISSEMENT:** Peut Causer le Cancer et des Dommages au Système Reproducteur.
 ⚠️ **ADVERTENCIA:** Cáncer y Daño Reproductivo.
www.p65warnings.ca.gov PA62017A

WAVE WATER ACTUATOR VALVE

COMPLETE VALVES



6 Port Low Profile 2" T-Valve



6 Port Low Profile 1 1/2" T-Valve

Featured Highlights

- Smooth transition – helps reduce pressure spikes
- Efficient and easy to maintain
- Available in multiple port configurations

The WAVE Water Actuator Valve is the control center of your pool cleaning and circulation system, directing the water to specific zones in your pool. Standard features such as built-in speed control and QuikStop ensure optimum cleaning and circulation, as well as functional flexibility.

Each new Wave valve cam has been redesigned to provide better recognition, optimized cleaning and longer life than the previous design. The new design minimizes the time needed to transition between zones, simultaneously reducing the pressure swing to as low as 0.5 psi. Additionally, the cams have been labeled and color-coded for easy product recognition, as well as utilizing a high quality plastic, engineered for improved performance in chlorinated environments.

Ordering Information

A&A Item #	Pentair Item #	Product Name & Description
LOW PROFILE 2" ACTUATOR VALVE COMPLETES		
540437	224420	6 Port Low Profile 2" T-Valve
545617	224700	3 Port Low Profile 2" T-Valve
545641	224800	2 Port Low Profile 2" T-Valve
550846	224000	Duo Valve System Low Profile 2" (1 (one) 2 Port & 2 (two) 6 Port Low Profile Valves)
LOW PROFILE 1 1/2" ACTUATOR VALVE COMPLETES		
540218	224470	6 Port Low Profile 1 1/2" T-Valve
545609	224770	3 Port Low Profile 1 1/2" T-Valve
545633	224870	2 Port Low Profile 1 1/2" T-Valve

CALIFORNIA PROPOSITION 65 WARNING

⚠ **WARNING:** Cancer and Reproductive Harm.
 ⚠ **AVERTISSEMENT:** Peut Causer le Cancer et des Dommages au Système Reproducteur.
 ⚠ **ADVERTENCIA:** Cáncer y Daño Reproductivo.
www.p65warnings.ca.gov

TOP FEED ACTUATOR VALVE

COMPLETE VALVES



6 Port Top Feed 1 1/2" T-Valve
without Quikstop



5 Port Top Feed 1 1/2" T-Valve
with Quikstop



6 Port Top Feed 1 1/2" T-Valve
with Quikstop

The Pentair Top Feed Valve is constructed to provide optimal cleaning with ease-of-maintenance. The Top Feed Valve features a durable Upper Housing which also includes the Speed Control mechanism. The cleaning valve directs high-pressured water to one of the five zones at a time and exits through the pop-up heads designated to that zone. The cleaning system also aids in boosting circulation with heating systems, allowing your entire pool to be heated rather than just the top section.

Ordering Information

A&A Item #	Pentair Item #	Product Name & Description
TOP FEED 1 1/2" ACTUATOR VALVE COMPLETES		
522773	225471	6 Port Top Feed 1 1/2" T-Valve without Quikstop
522896	225571	5 Port Top Feed 1 1/2" T-Valve without Quikstop
540357	225470	6 Port Top Feed 1 1/2" T-Valve with Quikstop
540365	225570	5 Port Top Feed 1 1/2" T-Valve with Quikstop

* Caretaker is a trademark of Zodiac Pool Systems, Inc.

CALIFORNIA PROPOSITION 65 WARNING

⚠️ **WARNING:** Cancer and Reproductive Harm.
 ⚠️ **AVERTISSEMENT:** Peut Causer le Cancer
 et des Dommages au Système Reproducteur.
 ⚠️ **ADVERTENCIA:** Cáncer y Daño Reproductivo.
www.p65warnings.ca.gov

LOW PROFILE ACTUATOR VALVES

VALVE REPLACEMENT PARTS



6 Port Low Profile T-Valve Kit 2"



3 Port Low Profile T-Valve Kit 2"



2 Port Low Profile T-Valve Kit 2"



2/3 Port Low Profile T-Valve Kit 1 1/2"



6 Port Low Profile Retro Kit



6 Port T-Valve Cam



3 Port T-Valve Cam



2 Port T-Valve Cam

Ordering Information

A&A Item #	Pentair Item #	Product Name & Description
LOW PROFILE ACTUATOR VALVE KITS		
582928	230069	6 Port Low Profile T-Valve Kit 2 "
582910	230146	3 Port Low Profile T-Valve Kit 2"
582987	230147	2 Port Low Profile T-Valve Kit 2"
582936	230148	6 Port Low Profile T-Valve Kit 1 1/2"
585651	238510	2/3 Port Low Profile T-Valve Kit 1 1/2"
524672	230062	Kit D 6 Port Low Profile Ball Valve Kit
540242	230066	6 Port Low Profile Retro Kit
LOW PROFILE ACTUATOR VALVE COMPONENTS		
517958	230056	6 Port Ball Valve Cam
582670	230010Z	6 Port T-Valve Cam (Old Part #539639)
582696	230007Z	3 Port T-Valve Cam (Old Part #545588)
582688	230006Z	2 Port T-Valve Cam (Old Part #545588)

CALIFORNIA PROPOSITION 65 WARNING
 ⚠️ **WARNING:** Cancer and Reproductive Harm.
 ⚠️ **AVERTISSEMENT:** Peut Causer le Cancer et des Dommages au Système Reproducteur.
 ⚠️ **ADVERTENCIA:** Cáncer y Daño Reproductivo.
www.p65warnings.ca.gov PA620174A

LOW PROFILE ACTUATOR VALVES (CONT'D)

VALVE REPLACEMENT PARTS

A&A Item #	Pentair Item #	Product Name & Description
LOW PROFILE ACTUATOR VALVE COMPONENTS (CONT'D)		
551937	230074	Low Profile Pause Control Kit
524550	230046Z	Low Profile Valve O-Ring
524576	230037Z	LP Center Shaft .25" X 6.75" 316 SS Dowel Pin
524605	230175	Low Profile Speed Nozzle (Outside Install)
577934	230174	Low Profile Speed Nozzle (Inside Install)
524613	230022Z	Low Profile Impeller
540146	230011Z	Low Profile Band Clamp
524664	230045	Low Profile Valve Lid Assembly with O-Ring
524681	230063	6 Port 1 1/2" Low Profile Valve Housing Gray
549132	230020	6 Port 1 1/2" Low Profile Valve Housing Black
582952	230149	Low Profile 1 1/2" Housing with Press In T-Valves
541763	230043Z	6 Port 2" Low Profile Valve Housing
—	230363Z	3 Port 2" Low Profile Valve Housing
—	230364Z	2 Port 2" Low Profile Valve Housing
581482	230080	2" T-Valve Assembly (6 Pack)
540971	230041	2" T-Valve Assembly (ea)
549141	230176	1 1/2" T-Valve Assembly
543259	235090	1 1/2" and 2" T-Valve Install & Remove Tool



5 Port T-Valve Cam



6 Port Ball Valve Cam



5 Port Ball Valve Cam



Low Profile Valve Lid Assembly with O-Ring



6 Port 1 1/2" Low Profile Valve Housing Black



Low Profile 1 1/2" Housing with Press-In T-Valves



6 Port 2" Low Profile Valve Housing



2" T-Valve Assembly

TOP FEED ACTUATOR VALVES

VALVE REPLACEMENT PARTS



Kit (A) 5 & 6 Port Top Feed Gear



Kit (C) 6 Port Top Feed Ball Valve



6 Port Top Feed Retro Kit



6 Port Top Feed Kit 1 1/2"



6 Port Top Feed Lower Housing



5-Port Top Feed Lower Housing (Black) with T-Flaps Installed



5 Port Top Feed Lower Housing



Top Feed Upper Housing with Speed Ctrl & Diverter

Ordering Information

A&A Item #	Pentair Item #	Product Name & Description
TOP FEED ACTUATOR VALVE KITS		
522634	230054	Kit (A) 5 & 6 Port Top Feed Gear
522642	230055	Kit (C) 6 Port Top Feed Ball Valve
522917	230060	Kit (B) 5 Port Top Feed Ball Valve
540234	230065	6 Port Top Feed Retro Kit
540251	230067	5 Port Top Feed Retro Kit
540269	230068	6 Port Top Feed Kit 1 1/2"
540285	230070	5 Port Top Feed Kit 1 1/2"

CALIFORNIA PROPOSITION 65 WARNING

⚠️ **WARNING:** Cancer and Reproductive Harm.
 ⚠️ **AVERTISSEMENT:** Peut Causer le Cancer et des Dommages au Système Reproducteur.
 ⚠️ **ADVERTENCIA:** Cáncer y Daño Reproductivo.
www.p65warnings.ca.gov

PA620174A

TOP FEED ACTUATOR VALVES (CONT'D)

VALVE REPLACEMENT PARTS

A&A Item #	Pentair Item #	Product Name & Description
TOP FEED ACTUATOR VALVE COMPONENTS		
517931	230019Z	6 Port Top Feed Lower Housing
582653	230018	5 Port Top Feed Lower Housing (Black) with T-Flaps Installed
518150	230150	5 Port Top Feed Lower Housing
567251	230021	Top Feed Upper Housing with Speed Ctrl & Diverter
517940	230051	Ball Valve Center Shaft .25" X 6.25" 316 SS Dowl Pin
518002	235070	Water Valve Impeller Shim
518053	230047	Ball Valve O-Ring
518109	230042Z	Top Feed Valve Band Clamp
522319	235140	Quik Pressure Tester
522669	230151	Valve Speed Control & Screw Kit
522651	230152	Valve Diverter & Screw Kit
522685	230057	Gear Retainer Clip Kit (12)
522802	230033	Top Feed Quikstop Assembly
540200	230052	1 1/2" Glued T-Valve Assembly
517958	230056	6 Port Ball Valve Cam
582670	230010Z	6 Port T-Valve Cam
518168	230061	5 Port Ball Valve Cam
539647	230008Z	5 Port T-Valve Cam
543259	235090	1 1/2" and 2" T-Valve Install & Remove Tools
546994	230072	Anti-Friction Washer 5 Port (2)
547006	230073	Anti-Friction Washer 6 Port (2)
554134	235080Z	Devcon Plastic Welder (1 oz Tube)
586312	230113	T-Valve Elevation Tool

FLOWVIS® IN-LINE FLOW METER

VALVE ACCESSORIES & TOOLS



FlowVis (US Gallon Per Minute)

Featured Highlights

- Installation flexibility; installs horizontally, vertically, or even upside-down
- Can be installed with little-to-zero straight pipe requirements
- Doubles as a check valve (1.5", 2", 2.5" and 2"x2.5" models)
- Clear, easy-to-read scale in GPM or optional LPM or M3/h with velocity scale
- Installs quickly and easily with no calibration required

FlowVis is a unique flow meter solution for clean water applications such as swimming pools, spas, water features, and fountains. Models are available for 1.5" through 4" as well as retrofit units for existing specific 3rd party valve bodies. Models for 1.5", 2", and 2.5" pipe include an integrated check valve. Additionally, a non-check valve model is available for applications that employ an SVRS and where check valves are not permitted. All FlowVis models offer highly accurate performance and a unique ability to be installed right next to other plumbing fittings such as tees, without the need for long straight pipe runs before and after.

Ordering Information

A&A Item #	Pentair Item #	Product Name & Description
FLOWVIS (US GALLON PER MINUTE)		
566821	261193	Flowvis (US Gallon Per Minute)

FlowVis® is a registered trademark of H2flow Controls, Inc., in the United States and/or other countries.

CALIFORNIA PROPOSITION 65 WARNING

⚠️ **WARNING:** Cancer and Reproductive Harm.
 ⚠️ **AVERTISSEMENT:** Peut Causer le Cancer et des Dommages au Système Reproducteur.
 ⚠️ **ADVERTENCIA:** Cáncer y Daño Reproductivo.

www.p65warnings.ca.gov

PA202174A

AVSC™ HEAVY DEBRIS REMOVAL DRAIN

COMPLETE DRAINS

Featured Highlights

- Available in single and dual-inlet models
- Easy installation, including construction cover
- For pools, spas, and water features
- Available with a Pebble Top Lid



AVSC Single Standard Top Channel Drain White



AVSC Single Suction Pebble Top Drain White



AVSC Vinyl Single Suction White



AVSC Dual Standard Top Channel Drain White



AVSC Dual Suction Pebble Top Drain White



AVSC Vinyl Dual Suction White



AVSC Vinyl Dual with Hydro White

The AVSC drain is a heavy debris removal drain in an unblockable package. The AVSC drain conforms to all current ANSI, NSF and VGB anti-entrapment standards, and boasts one of the highest flow rates of debris removal drains in the U.S. to date.

Available in a both dual or single port models (accepting both 2.5" and 3" pipe) the AVSC comes in a wide variety of colors. In addition, an optional fillable lid is available to allow the drain to seamlessly blend into the surrounding finish of the pool.

Ordering Information

A&A Item #	Pentair Item #	Product Name & Description
AVSC SINGLE SUCTION STANDARD TOP DRAIN		
571840	285001	AVSC Single Standard Top Channel Drain White
571858	285003	AVSC Single Standard Top Channel Drain Dark Gray
571866	285004	AVSC Single Standard Top Channel Drain Black
571874	285006	AVSC Single Standard Top Channel Drain Dark Blue
577512	285005	AVSC Single Standard Top Channel Drain Euro Blue
571882	285008	AVSC Single Standard Top Channel Drain Gold
571891	285002	AVSC Single Standard Top Channel Drain Light Gray

CALIFORNIA PROPOSITION 65 WARNING
 ⚠️ **WARNING:** Cancer and Reproductive Harm.
 ⚠️ **AVERTISSEMENT:** Peut Causer le Cancer et des Dommages au Système Reproducteur.
 ⚠️ **ADVERTENCIA:** Cáncer y Daño Reproductivo.
www.p65warnings.ca.gov PA62017A

AVSC™ HEAVY DEBRIS REMOVAL DRAIN (CONT'D)

COMPLETE DRAINS

A&A Item #	Pentair Item #	Product Name & Description
AVSC DUAL SUCTION STANDARD TOP DRAIN		
571903	286101	AVSC Dual Standard Top Channel Drain White
571911	286123	AVSC Dual Standard Top Channel Drain Dark Gray
571920	286114	AVSC Dual Standard Top Channel Drain Black
571938	286136	AVSC Dual Standard Top Channel Drain Dark Blue
577521	286125	AVSC Dual Standard Top Channel Drain Euro Blue
571946	290208	AVSC Dual Standard Top Channel Drain Gold
571954	286102	AVSC Dual Standard Top Channel Drain Light Gray
AVSC SINGLE SUCTION PEBBLE TOP DRAIN		
571444	288101	AVSC Single Pebble Top Channel Drain White
571452	288103	AVSC Single Pebble Top Channel Drain Dark Gray
571461	288104	AVSC Single Pebble Top Channel Drain Black
571479	288106	AVSC Single Pebble Top Channel Drain Dark Blue
576317	298235	AVSC Single Pebble Top Channel Drain Euro Blue
571487	288108	AVSC Single Pebble Top Channel Drain Gold
571495	288102	AVSC Single Pebble Top Channel Drain Light Gray
AVSC DUAL SUCTION PEBBLE TOP DRAIN		
571508	289101	AVSC Dual Pebble Top Channel Drain White
571516	289103	AVSC Dual Pebble Top Channel Drain Dark Gray
571524	289104	AVSC Dual Pebble Top Channel Drain Black
571532	289106	AVSC Dual Pebble Top Channel Drain Dark Blue
576325	296205	AVSC Dual Pebble Top Channel Drain Euro Blue
571541	289108	AVSC Dual Pebble Top Channel Drain Gold
571559	289102	AVSC Dual Pebble Top Channel Drain Light Gray
VINYL AVSC SINGLE DRAIN		
556316	284001	AVSC Vinyl Single White
558320	284306	AVSC Vinyl Single Dark Blue
558338	284002	AVSC Vinyl Single Light Gray
VINYL AVSC DUAL DRAIN		
556324	284161	AVSC Vinyl Dual White
558362	284006	AVSC Vinyl Dual Dark Blue
558371	284202	AVSC Vinyl Dual Light Gray
VINYL AVSC SINGLE DRAIN WITH HYDRO STAT		
556332	284071	AVSC Vinyl Single with Hydro White
558346	284076	AVSC Vinyl Single with Hydro Dark Blue
558354	284272	AVSC Vinyl Single with Hydro Light Gray
VINYL AVSC DUAL DRAIN WITH HYDRO STAT		
556341	284171	AVSC Vinyl Dual with Hydro White
558389	294076	AVSC Vinyl Dual with Hydro Dark Blue
558397	284072	AVSC Vinyl Dual with Hydro Light Gray

PDR2 POWERFUL DEBRIS REMOVAL DRAIN

COMPLETE DRAINS

Featured Highlights

- Manufactured from UV-resistant engineered polymers
- #316 stainless steel screws
- Hydrostatic Connection Designed into the Sump
- Capable of handling large debris



PDR2 10" Drains No Sump (Set of 2) White

PDR2 10" Drains with Sump (Set of 2) White

PDR2 Retro Fit Kit White

CALIFORNIA PROPOSITION 65 WARNING

⚠️ **WARNING:** Cancer and Reproductive Harm.
 ⚠️ **AVERTISSEMENT:** Peut Causer le Cancer et des Dommages au Système Reproducteur.
 ⚠️ **ADVERTENCIA:** Cáncer y Daño Reproductivo.
www.p65warnings.ca.gov

PDR2 drain provides heavy debris removal and aids in water circulation in your pool. The PDR2 is VGB/CPSC compliant, and is specifically designed and engineered for debris removal. Its size makes it a great drain for areas with space limitations. The PDR2 provides an excellent choice for deep end pools or catch basins.

Ordering Information

A&A Item #	Pentair Item #	Product Name & Description
PDR2 10" DRAINS NO SUMP (SET OF 2)		
564691	287174	PDR2 10" Drains No Sump (Set of 2) Black
564703	287186	PDR2 10" Drains No Sump (Set of 2) Dark Blue
564711	287108	PDR2 10" Drains No Sump (Set of 2) Gold
564720	287103	PDR2 10" Drains No Sump (Set of 2) Dark Gray
564738	287121	PDR2 10" Drains No Sump (Set of 2) White
581001	297005	PDR2 10" Drains No Sump (Set of 2) Euro Blue
580990	280024	PDR2 10" Drains No Sump (Set of 2) Light Gray
PDR2 10" DRAINS WITH SUMP (SET OF 2)		
564746	287104	PDR2 10" Drains with Sump (Set of 2) Black
564754	287196	PDR2 10" Drains with Sump (Set of 2) Dark Blue
564762	290218	PDR2 10" Drains with Sump (Set of 2) Gold
564771	287153	PDR2 10" Drains with Sump (Set of 2) Dark Gray
564789	287111	PDR2 10" Drains with Sump (Set of 2) White
581028	280025	PDR2 10" Drains with Sump (Set of 2) Euro Blue
581010	280402	PDR2 10" Drains with Sump (Set of 2) Light Gray
PDR2 10" DRAINS RETRO KIT		
564797	290244	PDR2 Retro Fit Kit Black
564800	287106	PDR2 Retro Fit Kit Dark Blue
564818	290228	PDR2 Retro Fit Kit Gold
564826	287163	PDR2 Retro Fit Kit Dark Gray
564834	287101	PDR2 Retro Fit Kit White

ROUND DEBRIS REMOVAL DRAIN AQUASTAR®

COMPLETE DRAINS



10" Round Star Anti Vortex Drain Light Gray



20" Full Circle Drain Light Gray

Ordering Information

A&A Item #	Pentair Item #	Product Name & Description
10" ROUND STAR (ANTI VORTEX) AQUASTAR		
569467	297903	10" Round Star Anti Vortex Drain Dark Gray
569475	280182	10" Round Star Anti Vortex Drain Light Gray
569483	280101	10" Round Star Anti Vortex Drain White
569491	280184	10" Round Star Anti Vortex Drain Black
10" SPA PACKAGE AQUASTAR (1 DEBRIS REMOVAL & 1 ROUND STAR DRAIN)		
569504	287143	10" Spa Package Dark Gray (1 Debris Removal & 1 Star Drain)
569512	287102	10" Spa Package Light Gray (1 Debris Removal & 1 Star Drain)
569521	287151	10" Spa Package White (1 Debris Removal & 1 Star Drain)
569539	297224	10" Spa Package Black (1 Debris Removal & 1 Star Drain)
20" FULL CIRCLE DRAIN VGB COMPLIANT AQUASTAR		
574442	297213	20" Full Circle Drain Dark Gray
574434	297002	20" Full Circle Drain Light Gray
574426	297601	20" Full Circle Drain White
574451	297244	20" Full Circle Drain Black

AquaStar® is a registered trademark of AquaStar Pool Products, Inc.

CALIFORNIA PROPOSITION 65 WARNING

⚠️ **WARNING:** Cancer and Reproductive Harm.
 ⚠️ **AVERTISSEMENT:** Peut Causer le Cancer et des Dommages au Système Reproducteur.
 ⚠️ **ADVERTENCIA:** Cáncer y Daño Reproductivo.

www.p65warnings.ca.gov
PA62017A

AVSC™ HEAVY DEBRIS REMOVAL DRAIN

DRAIN REPLACEMENT PARTS & ACCESSORIES



AVSC Standard Top Cover Only Light Gray



AVSC Pebble Top Cover Only Light Gray



AVSC Color Change Insert Light Gray



Hydro Relief Valve 1 1/2"



AVSC Pressure Test Plug 2 1/2"



AVSC Channel Drain 17" Baffle with Glue Packet

Ordering Information

A&A Item #	Pentair Item #	Product Name & Description
AVSC STANDARD COVER ONLY		
552892	295301	AVSC Standard Top Cover Only White
552905	295003	AVSC Standard Top Cover Only Dark Gray
556121	295304	AVSC Standard Top Cover Only Black
558303	295346	AVSC Standard Top Cover Only Dark Blue
577539	295305	AVSC Standard Top Cover Only Euro Blue
556113	295308	AVSC Standard Top Cover Only Gold
558311	295302	AVSC Standard Top Cover Only Light Gray

CALIFORNIA PROPOSITION 65 WARNING
 ⚠️ **WARNING:** Cancer and Reproductive Harm.
 ⚠️ **AVERTISSEMENT:** Peut Causer le Cancer et des Dommages au Système Reproducteur.
 ⚠️ **ADVERTENCIA:** Cáncer y Daño Reproductivo.
www.p65warnings.ca.gov PA62017A

AVSC™ HEAVY DEBRIS REMOVAL DRAIN (CONT'D)

DRAIN REPLACEMENT PARTS & ACCESSORIES

A&A Item #	Pentair Item #	Product Name & Description
AVSC PEBBLE TOP COVER ONLY		
571831	298601	AVSC Pebble Top Cover Only White
571815	298200	AVSC Pebble Top Cover Only Dark Gray
571786	298204	AVSC Pebble Top Cover Only Black
571794	298206	AVSC Pebble Top Cover Only Dark Blue
576333	298205	AVSC Pebble Top Cover Only Euro Blue
571807	298268	AVSC Pebble Top Cover Only Gold
571823	298302	AVSC Pebble Top Cover Only Light Gray
AVSC DRAIN COLOR CHANGE INSERT		
553799	295001	AVSC Color Change Insert White
553801	295013	AVSC Color Change Insert Dark Gry
561836	295204	AVSC Color Change Insert Black
561852	294206	AVSC Color Change Insert Dark Blue
576309	295205	AVSC Color Change Insert Euro Blue
561844	295208	AVSC Color Change Insert Gold
562741	295202	AVSC Color Change Insert Light Gray
AVSC DRAIN COMPONENTS		
518387	280000	Hydro Relief Valve 1 1/2"
571989	295230	AVSC Pressure Test Plug 1 1/2"
571962	290060	AVSC Pressure Test Plug 2 1/2"
575234	295800	AVSC Pressure Test Plug O-Ring
559841	295290	AVSC Channel Drain 17" Baffle with Glue Packet
AVSC DRAIN ACCESSORIES & TOOLS		
556164	285000	AVSC Test Plug Removal Tool
548543	295250	T-20 Torx (6 Lobe) with Pin 1" Driver Tip
572834	295300	AVSC Gunitite Cover
559656	295314	AVSC SS 316 Screws (Set of 10 with Tool)



AVSC Test Plug
Removal Tool



T-20 Torx (6 Lobe) with
Pin 1" Driver Tip



AVSC Gunitite Cover

PDR2 POWERFUL DEBRIS REMOVAL DRAINS

DRAIN REPLACEMENT PARTS & ACCESSORIES



PDR2 10" Top Only White



PDR2 Main Drain Sump
#86104000AA



PDR2 Main Drain SS Screws
(Set of 3 with Tool)

Ordering Information

A&A Item #	Pentair Item #	Product Name & Description
PDR 10" DRAINS TOPS ONLY (Overall Dimension – 7 3/4")		
564851	297254	PDR2 10" Top Only Black
564869	297206	PDR2 10" Top Only Dark Blue
564877	297278	PDR2 10" Top Only Gold
564885	297400	PDR2 10" Top Only Dark Gray
564893	297201	PDR2 10" Top Only White
576472	290265	PDR2 10" Top Only Euro Blue
574371	290252	PDR2 10" Top Only Light Gray
PDR 10" DRAINS COMPONENTS		
562011	290220	PDR2 Main Drain SS Screws (Set of 3 with Tool)

ROUND DEBRIS REMOVAL DRAIN AQUASTAR®

DRAIN REPLACEMENT PARTS & ACCESSORIES



2" Tapered Pipe Thread Pressure
Plug 8SBP101



Hydrostatic Valve
White HVC101



T-Wrench for Pressure
Plug FC16102

Ordering Information

A&A Item #	Pentair Item #	Product Name & Description
20" FULL CIRCLE DRAIN VGB COMPLIANT AQUASTAR COMPONENTS		
574901	290010	2" Tapered Pipe Thread Pressure Plug 8SBP101
574910	290221	Hydrostatic Valve White HVC101
574928	290262	Hydrostatic Valve Light Gray HVC 103
574936	290223	Hydrostatic Valve Dark Gray HVC 105
20" FULL CIRCLE DRAIN VGB COMPLIANT AQUASTAR ACCESSORIES		
574944	290050	T-Wrench for Pressure Plug FC16102

AquaStar® is a registered trademark of AquaStar Pool Products, Inc.

CALIFORNIA PROPOSITION 65 WARNING

▲ **WARNING:** Cancer and Reproductive Harm.
▲ **AVERTISSEMENT:** Peut Causer le Cancer et des Dommages au Système Reproducteur.
▲ **ADVERTENCIA:** Cáncer y Daño Reproductivo.
www.p65warnings.ca.gov

LEAFVAC DEBRIS CONTAINMENT REMOVAL

DEBRIS REMOVAL & CONTAINMENT COMPLETE



LeafVac Complete

Featured Highlights

- Energy efficient design
- Extra-large capacity
- Helps protect the pool pump
- Easy, minimal maintenance

Pentair LeafVac is an industry-leading heavy debris removal system. Its extra-large canister holds more debris, ensuring more time between cleanings. The extra capacity also allows for unimpeded flow of water, saving the pool's pump from potential damage. The pump, in turn, uses less power, thus saving energy.

Ordering Information

A&A Item #	Pentair Item #	Product Name & Description
LEAFVAC DEBRIS CANISTER COMPLETE		
522538	200210	LeafVac Complete (Length 26 1/2" / Width 14 1/4")

CALIFORNIA PROPOSITION 65 WARNING

⚠️ **WARNING:** Cancer and Reproductive Harm.
 ⚠️ **AVERTISSEMENT:** Peut Causer le Cancer et des Dommages au Système Reproducteur.
 ⚠️ **ADVERTENCIA:** Cáncer y Daño Reproductivo.

www.p65warnings.ca.gov
P650017&A

LEAFVAC DEBRIS CONTAINMENT

DEBRIS REMOVAL & CONTAINMENT REPLACEMENT PARTS



LeafVac Locking Ring



LeafVac Lid with O-Ring



LeafVac Silt Sock



LeafVac Assembly (Includes Lid, Locking Ring, and O-Ring)



LeafVac Debris Basket Plastic



LeafVac Internal Seal Plate (In Deck)



LeafVac Canisters with Unions



LeafVac Union Set

Ordering Information

A&A Item #	Pentair Item #	Product Name & Description
LEAFVAC DEBRIS CANISTER COMPONENTS		
523952	219090	LeafVac Locking Ring
523961	219000Z	LeafVac Lid with O-Ring
523979	219001Z	LeafVac O-Ring
540189	219200	LeafVac Lid Assembly (Includes Lid, Locking Ring, and O-Ring)
550168	219300	LeafVac Debris Basket Plastic
517659	219910Z	LeafVac Internal Seal Plate (In Deck)
517704	219040	LeafVac Debris Bag 5 3/4" (In Deck)
522491	219080	LeafVac Seal Plate with Lock (In Deck)
553191	219700	LeafVac Canister with Unions
553289	219800	LeafVac Union Set
552913	219400Z	LeafVac Union O-Ring

CALIFORNIA PROPOSITION 65 WARNING
 ⚠️ **WARNING:** Cancer and Reproductive Harm.
 ⚠️ **AVERTISSEMENT:** Peut Causer le Cancer et des Dommages au Système Reproducteur.
 ⚠️ **ADVERTENCIA:** Cáncer y Daño Reproductivo.
www.p65warnings.ca.gov PA202134

MULTICYCLONE DEBRIS REMOVAL

DEBRIS REMOVAL & CONTAINMENT COMPLETE



Multicyclone 16 Pro
Pre Filter Waterco®* (Industrial)

Featured Highlights

- Minimizes filter maintenance
- Reduces backwash frequency
- Suitable for new and existing installations

When used as a pre-filter, the MultiCyclone filters fine particulates such as sand or dust before it gets to the main filter. This reduces the wear and tear on traditional filter media and increases the amount of time between necessary filter cleanings. The MultiCyclone has no filter media to maintain or replace, and can be cleaned with a simple turn of a valve. It can be used as a pre-filter to traditional filtration, or as a stand-alone filter on water feature pumps.

Ordering Information

A&A Item #	Pentair Item #	Product Name & Description
PRE FILTER (CYCLONE)		
581554	301300	Multicyclone 16 Pro Pre Filter Waterco (Industrial)
576253	301100	Multicyclone 16 Pre Filter Stand (for Slab Installation)

CALIFORNIA PROPOSITION 65 WARNING

⚠ **WARNING:** Cancer and Reproductive Harm.
 ⚠ **AVERTISSEMENT:** Peut Causer le Cancer
 et des Dommages au Système Reproducteur.
 ⚠ **ADVERTENCIA:** Cáncer y Daño Reproductivo.
www.p65warnings.ca.gov

QUIKSKIM VENTURI POWERED COMPLETE SKIMMERS

Featured Highlights

- Uses existing return water to create stronger skimming-action
- Anti-entrapment design offers reassurance for you and your family
- Durable housing is available in multiple colors
- Available for concrete, vinyl, and fiberglass pools



QuikSkim Black Body,
Black Ring Lid, w/ Foam



Optional Bonding Lug

Pentair QuikSkim is venturi-powered. The skimming strength comes from return water, not the pool pump suction. This process is not only efficient, but provides effective surface skimming.

Ordering Information

A&A Item #	With Lug	Pentair Item #	With Lug	Product Name & Description
QUIKSKIM COMPLETE WITH PROTECTA FOAM				
576616	581239	505107	504107	QuikSkim White Body, Tan Ring Lid, w/ Foam
576624	581247	505101	504101	QuikSkim White Body, White Ring Lid, w/ Foam
576632	581255	505102	504102	QuikSkim White Body, Gray Ring Lid, w/ Foam
576641	581263	505104	504104	QuikSkim White Body, Black Ring Lid, w/ Foam
576659	581271	505307	504307	QuikSkim Gray Body, Tan Ring Lid, w/ Foam
576667	581280	505301	504301	QuikSkim Gray Body, White Ring Lid, w/ Foam
576675	581298	505302	504302	QuikSkim Gray Body, Gray Ring Lid, w/ Foam
576683	581301	505304	504304	QuikSkim Gray Body, Black Ring Lid, w/ Foam
576691	581319	505207	504007	QuikSkim Black Body, Tan Ring Lid, w/ Foam
576704	581327	505201	504201	QuikSkim Black Body, White Ring Lid, w/ Foam
576712	581335	505202	504202	QuikSkim Black Body, Gray Ring Lid, w/ Foam
576721	581343	505204	504204	QuikSkim Black Body, Black Ring Lid, w/ Foam

CALIFORNIA PROPOSITION 65 WARNING

▲ **WARNING:** Cancer and Reproductive Harm.
▲ **AVERTISSEMENT:** Peut Causer le Cancer et des Dommages au Système Reproducteur.
▲ **ADVERTENCIA:** Cáncer y Daño Reproductivo.
www.p65warnings.ca.gov

QUIKSKIM VENTURI POWERED (CONT'D)

COMPLETE SKIMMERS

A&A Item #	With Lug	Pentair Item #	With Lug	Product Name & Description
QUIKSKIM COMPLETE WITHOUT PROTECTA				
573491	581116	501107	503107	QuikSkim, White Body, Tan Ring Lid
573503	581124	501101	503101	QuikSkim, White Body, White Ring Lid
573482	581132	501102	503102	QuikSkim, White Body, Gray Ring Lid
573474	581141	501104	500828	QuikSkim, White Body, Black Ring Lid
573458	581159	501307	503307	QuikSkim, Gray Body, Tan Ring Lid
573466	581167	501301	503301	QuikSkim, Gray Body, White Ring Lid
573440	581175	501302	500829	QuikSkim, Gray Body, Gray Ring Lid
573431	581183	501304	503304	QuikSkim, Gray Body, Black Ring Lid
573415	581191	501207	500830	QuikSkim, Black Body, Tan Ring Lid
573423	581204	501201	503200	QuikSkim, Black Body, White Ring Lid
573407	581212	500822	503002	QuikSkim, Black Body, Gray Ring Lid
573394	581221	501204	503000	QuikSkim, Black Body, Black Ring Lid
QUIKSKIM NO LID OR RING				
576739	581351	501110	503110	QuikSkim White Body, No Lid or Ring
576747	581360	500823	503310	QuikSkim Gray Body, No Lid or Ring
576755	581378	501210	503210	QuikSkim Black Body, No Lid or Ring
QUIKSKIM COMPLETE WITH PROTECTA NO LID OR RING				
576763	581386	505110	504110	QS w/ Protecta, White Body, No Lid or Ring
576771	581394	505310	504310	QS w/ Protecta, Gray Body, No Lid or Ring
576780	581407	505210	504010	QS w/ Protecta, Black Body, No Lid or Ring
QUIKSKIM VINYL				
539903	–	501127	–	QuikSkim Vinyl White Body, Tan Ring Lid
539911	–	501121	–	QuikSkim Vinyl White Body, White Ring Lid
561289	–	501123	–	QuikSkim Vinyl White Body, Dark Gray Ring Lid
QUIKSKIM FIBERGLASS				
567568	–	517337	–	QS Fiberglass Dark Gray Body, Tan Ring Lid
567576	–	517333	–	QS Fiberglass Dark Gray Body, Dark Gray Ring Lid
567605	–	501231	–	QS Fiberglass Dark Gray Body, White Ring Lid
567584	–	510137	–	QS Fiberglass White Body, Tan Ring Lid
567592	–	501131	–	QS Fiberglass White Body, White Ring Lid
567613	–	501133	–	QS Fiberglass White Body, Dark Gray Ring Lid
571348	–	518303	–	QS Fiberglass Square Frame Dark Gray
571356	–	518007	–	QS Fiberglass Square Frame Tan
571364	–	518101	–	QS Fiberglass Square Frame White

QUIKSKIM ULTRA VENTURI POWERED COMPLETE SKIMMERS



QuikSkim Ultra White Body, White Ring Lid



Optional Bonding Lug

CALIFORNIA PROPOSITION 65 WARNING

⚠️ **WARNING:** Cancer and Reproductive Harm.
 ⚠️ **AVERTISSEMENT:** Peut Causer le Cancer et des Dommages au Système Reproducteur.
 ⚠️ **ADVERTENCIA:** Cáncer y Daño Reproductivo.
www.p65warnings.ca.gov

Ordering Information

A&A Item #	With Lug	Pentair Item #	With Lug	Product Name & Description
QUIKSKIM ULTRA COMPLETE NO PROTECTA				
576798	579219	509107	502107	QuikSkim Ultra White Body, Tan Ring Lid
576801	579227	509101	502101	QuikSkim Ultra White Body, White Ring Lid
576819	579235	509102	502102	QuikSkim Ultra White Body, Gray Ring Lid
576827	579243	509104	502104	QuikSkim Ultra White Body, Black Ring Lid
576835	579251	509307	502307	QuikSkim Ultra Gray Body, Tan Ring Lid
576843	579260	509301	502301	QuikSkim Ultra Gray Body, White Ring Lid
576851	579278	509302	502302	QuikSkim Ultra Gray Body, Gray Ring Lid
576860	579286	509304	502304	QuikSkim Ultra Gray Body, Black Ring Lid
576878	579294	509207	502207	QuikSkim Ultra Black Body, Tan Ring Lid
576886	579307	500824	502201	QuikSkim Ultra Black Body, White Ring Lid
576894	579315	500825	518202	QuikSkim Ultra Black Body, Gray Ring Lid
576907	579323	500826	502204	QuikSkim Ultra Black Body, Black Ring Lid
QUIKSKIM ULTRA NO LID OR RING				
576915	579331	500827	502110	QuikSkim Ultra White Body, No Lid or Ring
576923	579340	509310	502310	QuikSkim Ultra Gray Body, No Lid or Ring
576931	579358	509210	502210	QuikSkim Ultra Black Body, No Lid or Ring
QUIKSKIM ULTRA COMPLETE WITH PROTECTA				
576940	579366	507107	508107	QS Ultra w/ Protecta, White Body, Tan Ring Lid
576958	579374	507101	508101	QS Ultra w/ Protecta, White Body, White Ring Lid
576966	579382	507102	508102	QS Ultra w/ Protecta, White Body, Gray Ring Lid
576974	579391	507104	506104	QS Ultra w/ Protecta, White Body, Black Ring Lid
576982	579403	507307	508307	QS Ultra w/ Protecta, Gray Body, Tan Ring Lid
576991	579411	507301	508301	QS Ultra w/ Protecta, Gray Body, White Ring Lid
577002	579420	507302	508302	QS Ultra w/ Protecta, Gray Body, Gray Ring Lid
577011	579438	507304	506404	QS Ultra w/ Protecta, Gray Body, Black Ring Lid
577029	579454	507207	508207	QS Ultra w/ Protecta, Black Body, Tan Ring Lid
577037	579471	507201	508201	QS Ultra w/ Protecta, Black Body, White Ring Lid
577045	579500	507202	506202	QS Ultra w/ Protecta, Black Body, Gray Ring Lid
577053	579526	507204	508204	QS Ultra w/ Protecta, Black Body, Black Ring Lid
QUIKSKIM ULTRA WITH PROTECTA NO LID OR RING				
577061	579534	507110	506110	QS Ultra w/ Protecta, White Body, No Lid or Ring
577070	579542	507310	506510	QS Ultra w/ Protecta, Gray Body, No Lid or Ring
577088	579551	507210	506210	QS Ultra w/ Protecta, Black Body, No Lid or Ring

QUIKSKIM

SKIMMER REPLACEMENT PARTS



QuikSkim Basket with Silt Sock



QuikSkim Deck Lid and Ring White



QuikSkim Start Up Kit



QuikSkim Weir with Clips Dark Gray

Ordering Information

A&A Item #	Pentair Item #	Product Name & Description
QUIKSKIM COMPONENTS		
578486	516487	Quikguard 2" Schedule 40 Knock-In Wall Fitting Black
578494	516480	Quikguard 2" Schedule 40 Knock-In Wall Fitting Gray
578507	516482	Quikguard 2" Schedule 40 Knock-In Wall Fitting Light Gray
578515	516479	Quikguard 2" Schedule 40 Knock-In Wall Fitting White
565079	510800	QuikSkim Basket with Silt Sock
518408	518301	QuikSkim Deck Lid and Ring White
518416	510097	QuikSkim Deck Lid and Ring Tan
550563	511002	QuikSkim Deck Lid and Ring Gray
550571	510044	QuikSkim Deck Lid and Ring Black
523080	516477	QuikSkim Start Up Kit
523098	516478	QuikSkim Venturi Nozzle
564244	510054	QuikSkim Weir with Clips Black
564261	518201	QuikSkim Weir with Clips White
564252	510702	QuikSkim Weir with Clips Light Gray
571330	518213	QuikSkim Weir with Clips Dark Gray
564279	510064	QuikSkim Weir with Clips Black (Qty 2)

CALIFORNIA PROPOSITION 65 WARNING

⚠️ **WARNING:** Cancer and Reproductive Harm.
 ⚠️ **AVERTISSEMENT:** Peut Causer le Cancer et des Dommages au Système Reproducteur.
 ⚠️ **ADVERTENCIA:** Cáncer y Daño Reproductivo.
www.p65warnings.ca.gov

PA62017A

QUIKSKIM ULTRA SKIMMER REPLACEMENT PARTS



Quikguard 2"
Schedule 40 Knock-In
Wall Fitting Gray



QuikSkim Ultra High
Capacity Basket



QuikSkim Ultra 2"
Pressure Test Plug
with O-Ring



QuikSkim Ultra
Venturi Nozzle

Ordering Information

A&A Item #	Pentair Item #	Product Name & Description
QUIKSKIM ULTRA COMPONENTS		
578486	516487	Quikguard 2" Schedule 40 Knock-In Wall Fitting Black
578494	516480	Quikguard 2" Schedule 40 Knock-In Wall Fitting Gray
578507	516482	Quikguard 2" Schedule 40 Knock-In Wall Fitting Light Gray
578515	516479	Quikguard 2" Schedule 40 Knock-In Wall Fitting White
577993	519900	QuikSkim Ultra High Capacity Basket
578005	510400	QuikSkim Ultra 2" Pressure Test Plug with O-Ring
518408	518301	QuikSkim Ultra Deck Lid & Ring White
518416	510097	QuikSkim Ultra Deck Lid & Ring Tan
550563	511002	QuikSkim Ultra Deck Lid & Ring Light Gray
550571	510044	QuikSkim Ultra Deck Lid & Ring Black
579024	519000	QuikSkim Ultra Silt Sock
577432	519800	QuikSkim Ultra Start Up Kit
523098	516478	QuikSkim Ultra Venturi Nozzle
564244	510054	QuikSkim Ultra Weir with Clips Black
564261	518201	QuikSkim Ultra Weir with Clips White
564252	510702	QuikSkim Ultra Weir with Clips Light Gray
571330	518213	QuikSkim Ultra Weir with Clips Dark Gray
564279	510064	QuikSkim Ultra Weir with Clips Black (Qty 2)

SKIMMER ACCESSORIES & TOOLS



QuikSkim 2" Test Plug Removal Tool

Ordering Information

A&A Item #	Pentair Item #	Product Name & Description
QUIKSKIM TEST PLUG REMOVAL TOOL		
581466	510700	QuikSkim 2" Test Plug Removal Tool

CALIFORNIA PROPOSITION 65 WARNING
 ⚠️ **WARNING:** Cancer and Reproductive Harm.
 ⚠️ **AVERTISSEMENT:** Peut Causer le Cancer et des Dommages au Système Reproducteur.
 ⚠️ **ADVERTENCIA:** Cáncer y Daño Reproductivo.
www.p65warnings.ca.gov PK2017A

QUIKPURE3® OZONE SYSTEM COMPLETE

Featured Highlights

- Convenient dual voltage design (110v or 220v) and plug-in UV bulb
- Available in 25,000- and 50,000-gallon capacity units



QuikPure3 25,000 Gallon
(Stand Pipe)

Pentair QuikPure3 releases ozone into the pool, which reduces the amount of chlorine needed to maintain proper water chemistry. Reducing the amount of chlorine needed helps relieve the potential for irritated eyes and itchy skin.*

Ordering Information

A&A Item #	Pentair Item #	Product Name & Description
QUIKPURE3		
556625	381100	QuikPure3 25,000 Gallon (Stand Pipe)
556631	381250	QuikPure3 50,000 Gallon (Stand Pipe)
564041	383101	QuikPure3 25,000 Gallon (No Stand Pipe)
564050	383201	QuikPure3 50,000 Gallon (No Stand Pipe)
577125	381110	QuikPure3 25,000 Gallon (Stand Pipe) 6 Pack
577133	381210	QuikPure3 50,000 Gallon (Stand Pipe) 6 Pack
577141	383110	QuikPure3 25,000 Gallon (No Stand Pipe) 6 Pack
577150	383220	QuikPure3 50,000 Gallon (No Stand Pipe) 6 Pack

*<https://www.cdc.gov/healthywater/swimming/swimmers/rwi/chemical-irritants.html>

CALIFORNIA PROPOSITION 65 WARNING

⚠️ **WARNING:** Cancer and Reproductive Harm.
 ⚠️ **AVERTISSEMENT:** Peut Causer le Cancer et des Dommages au Système Reproducteur.
 ⚠️ **ADVERTENCIA:** Cáncer y Daño Reproductivo.

www.p65warnings.ca.gov

QUIKPURE3® OZONE SYSTEM

PARTS & ACCESSORIES



QuikPure3 4-Pin Lamp
(1-25 Or 2-50)



QuikPure3 Ballast
(1-25 Or 2-50)



QuikPure3 Auto Feed Kit



QuikPure3 Micro Switch
Pin Plunger



QuikPure3 Orifice Check
Valve Assembly



QuikPure3 Air Bleed Kit



Ozone Injector Manifold
with Tubing Kit



Ozone Injector
Manifold Tubing Kit
with Check Valve

Ordering Information

A&A Item #	Pentair Item #	Product Name & Description
QUIKPURE3 COMPONENTS		
548324	391270	QuikPure3 4-Pin Lamp (1-25 or 2-50)
548332	391205	QuikPure3 Ballast (1-25 or 2-50)
549870	391060	QuikPure3 Auto Feed Kit
556586	391050	QuikPure3 Micro Switch Pin Plunger
563401	391034	QuikPure3 Orifice Check Valve Assembly
563911	391001	QuikPure3 Air Bleed Kit
550627	391130	QuikPure2 Ballast 25 (Old Style)
550803	391230	QuikPure2 Ballast 50 (Old Style)
577563	399150	Ozone Injector Manifold with Tubing Kit
577571	399180	Ozone Injector Manifold Tubing Kit with Check Valve

CALIFORNIA PROPOSITION 65 WARNING
 ⚠️ **WARNING:** Cancer and Reproductive Harm.
 ⚠️ **AVERTISSEMENT:** Peut Causer le Cancer
 et des Dommages au Système Reproducteur.
 ⚠️ **ADVERTENCIA:** Cáncer y Daño Reproductivo.
www.p65warnings.ca.gov PR200714

QUIK DEKCLOR POOLSIDE CHLORINE FEEDER COMPLETE



DekClor Dark Gray Complete

Featured Highlights

- Innovative design allows for easy adjustment to compensate for swimmer load and pool conditions
- Compatible with multiple chlorine tab sizes
- Includes internal locking safety lid
- Available in multiple lid colors

Delivering chlorine directly into your pool, Quik DekClor helps to prevent chemical wear and tear on your pump motor and filtering systems. The Quik DekClor has specially engineered inlets that create an even water flow around chlorine tabs, which aids in the consistent disbursement of chemicals into the pool.

Ordering Information

A&A Item #	Pentair Item #	Product Name & Description
DEKCLOR WITHOUT PROTECTA		
522247	383007	DekClor Tan Complete
522255	383001	DekClor White Complete
553174	383003	DekClor Dark Gray Complete
572842	383002	DekClor Light Gray Complete
DEKCLOR WITH PROTECTA		
577272	385007	DekClor Tan
577281	385001	DekClor White
577299	385003	DekClor Dark Gray
577310	385002	DekClor Light Gray
DEKCLOR WITHOUT RING LID		
577301	385012	DekClor without Ring Lid, with Protecta
577096	383200	DekClor without Ring Lid, no Protecta

CALIFORNIA PROPOSITION 65 WARNING

⚠ **WARNING:** Cancer and Reproductive Harm.
 ⚠ **AVERTISSEMENT:** Peut Causer le Cancer et des Dommages au Système Reproducteur.
 ⚠ **ADVERTENCIA:** Cáncer y Daño Reproductivo.
www.p65warnings.ca.gov

DEKCLOR POOLSIDE CHLORINE FEEDER

PARTS & ACCESSORIES



DekClor Lid White, Tan, Dark Gray, & Light Gray



DekClor Start Up Kit



DekClor Start Up Kit with Safety Plate

Ordering Information

A&A Item #	Pentair Item #	Product Name & Description
DEKCLOR COMPONENTS		
571671	542496Z	DekClor Lid White
571663	542500Z	DekClor Lid Tan
571655	542499Z	DekClor Lid Dark Gray
572818	542498Z	DekClor Lid Light Gray
522280	391800	DekClor Start Up Kit
522298	391900	DekClor Safety Plate with Lock (Old Style)
524509	391010	DekClor Start Up Kit with Safety Plate

CALIFORNIA PROPOSITION 65 WARNING
 ⚠️ **WARNING:** Cancer and Reproductive Harm.
 ⚠️ **AVERTISSEMENT:** Peut Causer le Cancer et des Dommages au Système Reproducteur.
 ⚠️ **ADVERTENCIA:** Cáncer y Daño Reproductivo.
www.p65warnings.ca.gov PK2017A

SPLASHDOWN

WATER FEATURES COMPLETE



22" SplashDown Complete White



Water Jet



Crystal Spray



Water Lilly

Ordering Information

A&A Item #	Pentair Item #	Product Name & Description
SPLASHDOWN 22" COMPLETE (Manifold, Internal 8GPM)		
541835	581211	22" SplashDown Complete Water Jet White
545182	581213	22" SplashDown Complete Water Jet Dark Gray
554273	581221	22" SplashDown Complete Crystal Spray White
554281	581223	22" SplashDown Complete Crystal Spray Dark Gray
554290	580128	22" SplashDown Complete Water Lilly White
554302	581233	22" SplashDown Complete Water Lilly Dark Gray
VINYL SPLASHDOWN 22" COMPLETE (Manifold, Internal 8GPM)		
545246	581411	Vinyl SplashDown 22" Water Jet White
553035	581413	Vinyl SplashDown 22" Water Jet Dark Gray
556877	581421	Vinyl SplashDown 22" Crystal Spray White
556869	580129	Vinyl SplashDown 22" Crystal Spray Dark Gray
556893	581431	Vinyl SplashDown 22" Water Lilly White
556885	581433	Vinyl SplashDown 22" Water Lilly Dark Gray
SPLASHDOWN 44" COMPLETE		
543662	582211	44" SplashDown Complete Water Jet White
545191	582213	44" SplashDown Complete Water Jet Dark Gray
VINYL SPLASHDOWN 44"		
545254	582411	Vinyl SplashDown 44" Complete Water Jet White
553027	580127	Vinyl SplashDown 44" Complete Water Jet Dark Gray

CALIFORNIA PROPOSITION 65 WARNING
 ⚠️ **WARNING:** Cancer and Reproductive Harm.
 ⚠️ **AVERTISSEMENT:** Peut Causer le Cancer et des Dommages au Système Reproducteur.
 ⚠️ **ADVERTENCIA:** Cáncer y Daño Reproductivo.
www.p65warnings.ca.gov PA620174A

SPLASHDOWN

WATER FEATURE PARTS & ACCESSORIES



22" SplashDown Internal Dark Gray

Ordering Information

A&A Item #	Pentair Item #	Product Name & Description
SPLASHDOWN 22" INTERNALS		
545334	591213	22" SplashDown Internal Water Jet White
545326	591211	22" SplashDown Internal Water Jet Dark Gray
554231	592221	22" SplashDown Internal Crystal Spray White
554249	592223	22" SplashDown Internal Crystal Spray Dark Gray
554257	592231	22" SplashDown Internal Water Lilly White
554265	592233	22" SplashDown Internal Water Lilly Dark Gray
SPLASHDOWN 44" INTERNALS		
541819	592211	SplashDown Nozzle Water Jet
554193	591231	SplashDown White Nozzle Water Lilly Only
554206	591233	SplashDown Gray Nozzle Water Lilly Only
554214	591221	SplashDown White Nozzle Crystal Spray Only
554222	591223	SplashDown Gray Nozzle Crystal Spray Only
577897	592201	SplashDown 22" Nozzle White
577900	592203	SplashDown 22" Nozzle Gray
577918	582001	SplashDown 44" Nozzle White
577926	582010	SplashDown 44" Nozzle Gray

CALIFORNIA PROPOSITION 65 WARNING
 ⚠️ **WARNING:** Cancer and Reproductive Harm.
 ⚠️ **AVERTISSEMENT:** Peut Causer le Cancer et des Dommages au Système Reproducteur.
 ⚠️ **ADVERTENCIA:** Cáncer y Daño Reproductivo.
www.p65warnings.ca.gov PA220134A

BUBBLE JET

WATER FEATURE COMPLETE



Bubble Jet Dark Gray

CALIFORNIA PROPOSITION 65 WARNING
 ⚠️ **WARNING:** Cancer and Reproductive Harm.
 ⚠️ **AVERTISSEMENT:** Peut Causer le Cancer et des Dommages au Système Reproducteur.
 ⚠️ **ADVERTENCIA:** Cáncer y Daño Reproductivo.
www.p65warnings.ca.gov PK2021A

Ordering Information

A&A Item #	Pentair Item #	Product Name & Description
BUBBLE JET FOUNTAIN COMPLETE (Manifold, Internal 8GPM)		
564017	580301	Bubble Jet White
564025	580303	Bubble Jet Dark Gray

BUBBLE JET

WATER FEATURE PARTS & ACCESSORIES



Bubble Jet Dark Gray

CALIFORNIA PROPOSITION 65 WARNING
 ⚠️ **WARNING:** Cancer and Reproductive Harm.
 ⚠️ **AVERTISSEMENT:** Peut Causer le Cancer et des Dommages au Système Reproducteur.
 ⚠️ **ADVERTENCIA:** Cáncer y Daño Reproductivo.
www.p65warnings.ca.gov PK2021A

Ordering Information

A&A Item #	Pentair Item #	Product Name & Description
BUBBLE JET FOUNTAIN COMPONENTS		
565116	591301	Bubble Jet Internal White
565124	591303	Bubble Jet Internal Dark Gray

AQUA ARCH

WATER FEATURE COMPLETE



Aqua Arch

CALIFORNIA PROPOSITION 65 WARNING
 ⚠️ **WARNING:** Cancer and Reproductive Harm.
 ⚠️ **AVERTISSEMENT:** Peut Causer le Cancer et des Dommages au Système Reproducteur.
 ⚠️ **ADVERTENCIA:** Cáncer y Daño Reproductivo.
www.p65warnings.ca.gov PH2017/4

Ordering Information

A&A Item #	Pentair Item #	Product Name & Description
AQUA ARCH (8-10 GPM)		
549861	580150	Aqua Arch

AQUA ARCH

WATER FEATURE PARTS & ACCESSORIES



Aqua Arch Tool

CALIFORNIA PROPOSITION 65 WARNING
 ⚠️ **WARNING:** Cancer and Reproductive Harm.
 ⚠️ **AVERTISSEMENT:** Peut Causer le Cancer et des Dommages au Système Reproducteur.
 ⚠️ **ADVERTENCIA:** Cáncer y Daño Reproductivo.
www.p65warnings.ca.gov PH2017/4

Ordering Information

A&A Item #	Pentair Item #	Product Name & Description
AQUA ARCH COMPONENTS		
578371	580131	Aqua Arch Diffuser Insert
AQUA ARCH TOOLS & ACCESSORIES		
553297	580151	Aqua Arch Tool

TRIO DECK JET VARIABLE

WATER FEATURE COMPLETE



Trio Deck Jet Gray

CALIFORNIA PROPOSITION 65 WARNING
 ⚠️ **WARNING:** Cancer and Reproductive Harm.
 ⚠️ **AVERTISSEMENT:** Peut Causer le Cancer et des Dommages au Système Reproducteur.
 ⚠️ **ADVERTENCIA:** Cáncer y Daño Reproductivo.
www.p65warnings.ca.gov PH202174

Ordering Information

A&A Item #	Pentair Item #	Product Name & Description
TRIO DECK JET (Fan Nozzle 2 GPM - Standard Jet Nozzle 5GPM - Triple Spray 2GPM)		
556851	591600	Trio Deck Jet Bronze
557159	580603	Trio Deck Jet Gray
557167	580130	Trio Deck Jet Tan

TRIO DECK JET VARIABLE

WATER FEATURE PARTS & ACCESSORIES



Trio Deck Jet Tool Metal

CALIFORNIA PROPOSITION 65 WARNING
 ⚠️ **WARNING:** Cancer and Reproductive Harm.
 ⚠️ **AVERTISSEMENT:** Peut Causer le Cancer et des Dommages au Système Reproducteur.
 ⚠️ **ADVERTENCIA:** Cáncer y Daño Reproductivo.
www.p65warnings.ca.gov PH202174

Ordering Information

A&A Item #	Pentair Item #	Product Name & Description
TRIO DECK JET COMPONENTS		
569379	580139	Trio Deck Jet O-Ring
TRIO DECK JET TOOLS & ACCESSORIES		
563903	580610	Trio Deck Jet Tool Plastic
565087	580600	Trio Deck Jet Tool Metal

LIVING WATERS

WATER FEATURE COMPLETE



Living Waters White

CALIFORNIA PROPOSITION 65 WARNING
 ⚠️ **WARNING:** Cancer and Reproductive Harm.
 ⚠️ **AVERTISSEMENT:** Peut Causer le Cancer et des Dommages au Système Reproducteur.
 ⚠️ **ADVERTENCIA:** Cáncer y Daño Reproductivo.
www.p65warnings.ca.gov PR000704

Ordering Information

A&A Item #	Pentair Item #	Product Name & Description
LIVING WATERS COMPLETE (Pre-Plumbed Water Valve and 6 Living Waters Fountain Heads 8GPM Per Nozzle)		
561810	586701	Living Waters White
561801	585003	Living Waters Dark Gray

LIVING WATERS

WATER FEATURE ACCESSORIES & TOOLS



Living Waters White

CALIFORNIA PROPOSITION 65 WARNING
 ⚠️ **WARNING:** Cancer and Reproductive Harm.
 ⚠️ **AVERTISSEMENT:** Peut Causer le Cancer et des Dommages au Système Reproducteur.
 ⚠️ **ADVERTENCIA:** Cáncer y Daño Reproductivo.
www.p65warnings.ca.gov PR000704

Ordering Information

A&A Item #	Pentair Item #	Product Name & Description
LIVING WATERS COMPONENTS		
561799	580141	Living Waters White
561781	580142	Living Waters Dark Gray
565159	591500	Living Waters Gear Kit

WHISPA SPA NOISE DAMPENER

WATER FEATURE COMPLETE & COMPONENTS



Whispa Tan



Muffler Threaded Insert



Muffler Assembly with Air Cap



Rubber Cap Replacement

Ordering Information

A&A Item #	Pentair Item #	Product Name & Description
WHISPA DECK INSTALL AIR MUFFLER		
553060	542575	Whispa Tan
553078	542576	Whispa White
553086	542578	Whispa Dark Gray
572877	542577	Whispa Light Gray
WHISPA COMPONENTS		
556973	542580	Muffler Threaded Insert
555751	542581	Muffler Assembly with Air Cap
553318	542579	Rubber Cap Replacement
571671	542496Z	Whispa Deck Lid White
571663	542500Z	Whispa Deck Lid Tan
571655	542499Z	Whispa Deck Lid Dark Gray
572818	542498Z	Whispa Deck Lid Light Gray

CALIFORNIA PROPOSITION 65 WARNING
 ⚠️ **WARNING:** Cancer and Reproductive Harm.
 ⚠️ **AVERTISSEMENT:** Peut Causer le Cancer et des Dommages au Système Reproducteur.
 ⚠️ **ADVERTENCIA:** Cáncer y Daño Reproductivo.
www.p65warnings.ca.gov PK230134A

QUIKWATER LEVELER

WHITE GOODS COMPLETE

Featured Highlights

- Maintains water level 24 hours a day
- Helps prevent expensive pump burnouts caused by low water levels
- Available in multiple lid colors



Water Leveler Dark Gray without Protecta

The Quik Water Leveler automatically controls the water level of your pool. Help ensure the proper maintenance of your pool's system while saving time for the more important things.

Ordering Information

A&A Item #	Pentair Item #	Product Name & Description
QUIK WATER LEVELER COMPLETE		
522159	542464	Water Leveler Tan without Protecta
522167	542461	Water Leveler White without Protecta
553182	542463	Water Leveler Dark Gray without Protecta
572851	542462	Water Leveler Light Gray without Protecta
577176	542472	Water Leveler Tan with Protecta Foam
577184	542469	Water Leveler White with Protecta Foam
577192	542471	Water Leveler Dark Gray with Protecta Foam
577205	542470	Water Leveler Light Gray with Protecta Foam
577109	542460	Water Leveler without Ring and Lid
A&A Item #	Pentair Item #	Product Name & Description
QUIK WATER LEVELER WITHOUT FLOAT		
554994	542468	Water Leveler No Float Tan without Protecta
555006	542465	Water Leveler No Float White without Protecta
553107	542467	Water Leveler No Float Dark Gray without Protecta
572869	542466	Water Leveler No Float Light Gray without Protecta
577230	542474	Water Leveler No Float Tan with Protecta
577248	542484	Water Leveler No Float White with Protecta
577221	542473	Water Leveler No Float Dark Gray with Protecta
577256	542485	Water Leveler No Float Light Gray with Protecta
577264	542504	Water Leveler No Float without Ring and Lid

CALIFORNIA PROPOSITION 65 WARNING
 ⚠️ **WARNING:** Cancer and Reproductive Harm.
 ⚠️ **AVERTISSEMENT:** Peut Causer le Cancer et des Dommages au Système Reproducteur.
 ⚠️ **ADVERTENCIA:** Cáncer y Daño Reproductivo.
www.p65warnings.ca.gov PA62017A

QUIKBASIN WATER LEVER

WHITE GOODS COMPLETE



Basin Leveler White

CALIFORNIA PROPOSITION 65 WARNING
 ⚠️ **WARNING:** Cancer and Reproductive Harm.
 ⚠️ **AVERTISSEMENT:** Peut Causer le Cancer et des Dommages au Système Reproducteur.
 ⚠️ **ADVERTENCIA:** Cáncer y Daño Reproductivo.
www.p65warnings.ca.gov PK202174

Ordering Information

A&A Item #	Pentair Item #	Product Name & Description
BASIN LEVELER COMPLETE		
563971	542475	Basin Leveler White
563989	542478	Basin Leveler Tan
563997	542477	Basin Leveler Dark Gray
578363	542476	Basin Leveler Light Gray

WATER LEVELER WITH 10" DECK RING & LID

WHITE GOODS COMPLETE



Water Leveler 10" White Lid

CALIFORNIA PROPOSITION 65 WARNING
 ⚠️ **WARNING:** Cancer and Reproductive Harm.
 ⚠️ **AVERTISSEMENT:** Peut Causer le Cancer et des Dommages au Système Reproducteur.
 ⚠️ **ADVERTENCIA:** Cáncer y Daño Reproductivo.
www.p65warnings.ca.gov PK202174

Ordering Information

A&A Item #	Pentair Item #	Product Name & Description
WATER LEVELER 10" AQUASTAR		
574493	542480	Water Leveler 10" Tan Lid
574485	542482	Water Leveler 10" Light Gray Lid
574469	542483	Water Leveler 10" Dark Gray Lid
574477	542481	Water Leveler 10" White Lid

WATER LEVELER COMPONENTS

WHITE GOODS REPLACEMENT PARTS



Water Leveler Float Only



Water Leveler Float with Restrictor Seal



Water Leveler Seal Cap



Water Leveler Pressure Test Plug

Ordering Information

A&A Item #	Pentair Item #	Product Name & Description
WATER LEVELER 10" AQUASTAR		
574952	542459	Water Leveler Float Only
WATER LEVELER COMPONENTS		
571671	542496Z	Deck Lid White
571663	542500Z	Deck Lid Tan
571655	542499Z	Deck Lid Dark Gray
572818	542498Z	Deck Lid Light Gray
517190	542494Z	Deck Ring White
517202	542495Z	Deck Ring Tan
553001	542493Z	Deck Ring Gray
572826	542497Z	Deck Ring Light Gray
529342	542486	Water Leveler Float with Restrictor Seal
518539	542488	Water Leveler Restrictor Seal
522191	T6EXT	Water Leveler Float Extension
529334	542489	Water Leveler Seal Cap
546062	542490	Water Leveler Repair Schedule 40
546071	542491	Water Leveler Repair Schedule 80
546089	542492	Water Leveler Repair Street 90
547671	542479	Water Leveler Pressure Test Plug

CALIFORNIA PROPOSITION 65 WARNING
 ⚠️ **WARNING:** Cancer and Reproductive Harm.
 ⚠️ **AVERTISSEMENT:** Peut Causer le Cancer et des Dommages au Système Reproducteur.
 ⚠️ **ADVERTENCIA:** Cáncer y Daño Reproductivo.
www.p65warnings.ca.gov PK2017A

INFUSION WALL INLETS

WHITE GOODS COMPLETE



Infusion Fitting White

Ordering Information

A&A Item #	Pentair Item #	Product Name & Description
INFUSION WALL INLETS		
564228	542530	Infusion Fitting White
564236	542528	Infusion Fitting Dark Gray
565837	542529	Infusion Fitting Black
572800	542531	Infusion Fitting Light Gray
564957	542540	Infusion Fitting Dark Gray (4 Pack)
564965	542539	Infusion Fitting White (4 Pack)
577803	542541	Infusion Fitting Light Gray (4 Pack)
565845	542538	Infusion Fitting Black (4 Pack)

CALIFORNIA PROPOSITION 65 WARNING

⚠️ **WARNING:** Cancer and Reproductive Harm.
 ⚠️ **AVERTISSEMENT:** Peut Causer le Cancer et des Dommages au Système Reproducteur.
 ⚠️ **ADVERTENCIA:** Cáncer y Daño Reproductivo.
www.p65warnings.ca.gov

PA620174A

PVC FITTINGS & MISC PRODUCTS



G4 Cleaning Heads Floor Fitting



QuikSkim Venturi Powered Skimmers Housing



QuikSkim Venturi Powered Skimmers Throat



QuikDekChlor Chlorine Feeder



Sweep 90 2" S X 2" S



Sweep 90 2" S X 2" SPG



2" CPVC Nipple



2" Male Imperial / 63 MM Female Metric Adapter



Basketball Deck Sleeve



#32 Jewelers Slotting Saw

Ordering Information

A&A Item #	Pentair Item #	Product Name & Description
PROTECTA FOAM INSERTS		
572252	239850	G4 Cleaning Heads Floor Fitting
572236	500831	QuikSkim / QuikSkim Ultra Venturi Powered Skimmers Housing
572228	516489	QuikSkim / QuikSkim Venturi Powered Skimmers Housing Throat
572244	542458	QuikDekChlor Chlorine Feeder
PVC FITTINGS		
574418	542525	Sweep 90 2" S X 2" S
574400	542585	Sweep 90 2" S X 2" S SPG
517405	542584	2" CPVC Nipple
517392	542536	1 1/2" CPVC Nipple
555145	516488	2" Male Imperial / 63 MM Female Metric Adapter
MISC PRODUCTS		
523186	542583	Plumbing Labels
522052	542522	Basketball Deck Sleeve (recommended to be installed with Deck Ring & Lid)
518483	239390	#32 Jewelers Slotting Saw

CALIFORNIA PROPOSITION 65 WARNING
 ⚠️ **WARNING:** Cancer and Reproductive Harm.
 ⚠️ **AVERTISSEMENT:** Peut Causer le Cancer et des Dommages au Système Reproducteur.
 ⚠️ **ADVERTENCIA:** Cáncer y Daño Reproductivo.
www.p65warnings.ca.gov PA62017A

PENTAIR REPLACEMENT INTERNAL COMPONENTS FOR RETRO FIT INTERNALS

RETRO INTERNALS COMPLETE



Pentair Replacement Parts for Paramount PCC2000 Retro Internal White



Pentair Replacement Parts for Paramount PV3 Retro Internal White



Pentair Replacement Parts for Caretaker Retro Internal White



Pentair Replacement Parts for BlueSquare Retro Internal White



Pentair Replacement Parts for Caretaker Retro Internal Gray

Ordering Information

Pentair Product #	Product Name & Description
PARAMOUNT PCC2000 RETRO INTERNALS WITH ROTATING NOZZLES*	
220084	PCC2000 Retro Rotating Nozzle, White
220085	PCC2000 Retro Rotating Nozzle, Light Gray
220086	PCC2000 Retro Rotating Nozzle, Gray
220087	PCC2000 Retro Rotating Nozzle, Black
PARAMOUNT PCC2000 RETRO INTERNALS WITH FIXED NOZZLES*	
220088	PCC2000 Retro Fixed Nozzle, White
220089	PCC2000 Retro Fixed Nozzle, Light Gray
220090	PCC2000 Retro Fixed Nozzle, Gray
220091	PCC2000 Retro Fixed Nozzle, Black
*Compatible with PCC2000, Vanquish, Vantage, & Vanish	
PARAMOUNT PV3 RETRO INTERNALS WITH RATCHETING NOZZLES**	
220076	PV3 Retro Ratcheting Nozzle Multi Orifice Cap, White
220077	PV3 Retro Ratcheting Nozzle Multi Orifice Cap, Light Gray
220078	PV3 Retro Ratcheting Nozzle Multi Orifice Cap, Gray
220079	PV3 Retro Ratcheting Nozzle Multi Orifice Cap, Black
PARAMOUNT PV3 RETRO INTERNALS WITH WEIGHTED NOZZLES**	
220080	PV3 Retro Weighted Nozzle Multi Orifice Cap, White
220081	PV3 Retro Weighted Nozzle Multi Orifice Cap, Light Gray
220082	PV3 Retro Weighted Nozzle Multi Orifice Cap, Gray
220083	PV3 Retro Weighted Nozzle Multi Orifice Cap, Black
**Compatible with PV3, PVR, Cycleclean, Eco System, & Eco Pool	

Pentair Product #	Product Name & Description
CARETAKER RETRO INTERNALS WITH THREADED RATCHETING HEAD	
220068	Caretaker Threaded Ratcheting Head Multi Orifice Cap, White
220069	Caretaker Threaded Ratcheting Head Multi Orifice Cap, Dark Gray
220070	Caretaker Threaded Ratcheting Head Multi Orifice Cap, Gray
220071	Caretaker Threaded Ratcheting Head Multi Orifice Cap, Black
CARETAKER RETRO INTERNALS WITH LOCKING HEAD	
220072	Caretaker99 Retro Locking Head Multi Orifice Cap, White
220073	Caretaker99 Retro Locking Head Multi Orifice Cap, Dark Gray
220074	Caretaker99 Retro Locking Head Multi Orifice Cap, Gray
220075	Caretaker99 Retro Locking Head Multi Orifice Cap, Black
BLUESQUARE RETRO INTERNALS WITH RATCHETING HEAD	
220065	BlueSquare Retro Ratcheting Head Multi Orifice Cap, White
220066	BlueSquare Retro Ratcheting Head Multi Orifice Cap, Gray
220067	BlueSquare Retro Ratcheting Head Multi Orifice Cap, Black
PARAMOUNT PV3 INTERNALS WITH SPINNING HEADS	
230349	PV3 Retro Spinning Head Multi Orifice Cap, White
230350	PV3 Retro Spinning Head Multi Orifice Cap, Light Gray
230351	PV3 Retro Spinning Head Multi Orifice Cap, Dark Gray
230352	PV3 Retro Spinning Head Multi Orifice Cap, Black

¹ Note: These parts are manufactured by Pentair as replacements for designated Zodiac Pool Systems, Inc. ("Zodiac") products. Caretaker is a trademark of Zodiac Pool Systems, Inc.

² Note: These parts are manufactured by Pentair as replacements for designated Blue Square Manufacturing, LLC ("Blue Square") products. Q360® is a registered trademark of Blue Square.

² Note: These parts are manufactured by Pentair as replacements for designated Hayward Industries, Inc. ("Hayward") products. Paramount Pools is a trademark of Hayward.

CALIFORNIA PROPOSITION 65 WARNING

▲ **WARNING:** Cancer and Reproductive Harm.
▲ **AVERTISSEMENT:** Peut Causer le Cancer et des Dommages au Système Reproducteur.
▲ **ADVERTENCIA:** Cáncer y Daño Reproductivo.
www.p65warnings.ca.gov

PENTAIR REPLACEMENT INTERNAL COMPONENTS FOR RETRO FIT INTERNALS (CONT'D)

RETRO INTERNALS COMPLETE

Ordering Information

A&A Product #	Pentair Product #	Product Name & Description
PENTAIR REPLACEMENT PARTS FOR PARAMOUNT POOL RETRO FIT HEADS		
521720	230330	Pool Valet High Flow Retro Replacement White
567541	236033	PVR 1/4" Retro Internal Gray
567550	236831	PVR 1/4" Retro Internal White
567525	236031	PVR 3/8" Retro Internal White
567470	236034	PVR 9/16" Retro Internal Black
567488	236733	PVR 9/16" Retro Internal Gray
567496	236631	PVR 9/16" Retro Internal White

Note: These parts are manufactured by A&A Manufacturing as replacements for designated Hayward Industries, Inc. ("Hayward") products. Paramount Pools is a trademark of Hayward.

PENTAIR REPLACEMENT INTERNAL COMPONENTS FOR RETRO INTERNALS

RETRO INTERNAL REPLACEMENT PARTS



Turbo Clean Adapter Package
Internal White 9/16"



Style 1 Internal 9/16"
Orifice White



Turbo Clean
Adapter White



Turbo Clean Internal



Turbo Clean Floor Fitting

Ordering Information

A&A Product #	Pentair Product #	Product Name & Description
TURBO CLEAN RETRO FIT INTERNALS		
555807	236011	Turbo Clean Adapter Package Internal White 9/16"
555815	236014	Turbo Clean Adapter Package Internal Black 9/16"
556560	236016	Turbo Clean Adapter Package Internal Gray 9/16"
TURBO CLEAN RETRO FIT COMPONENTS		
517149	236460Z	Turbo Clean Adapter O-Ring
521560	236151	Style 1 Internal 9/16" Orifice White
555794	236050	Style 1 Internal 9/16" Orifice Black
556771	236653	Style 1 Internal 9/16" Orifice Gray
522204	236810	Turbo Clean Adapter Black
522212	236811	Turbo Clean Adapter White
556551	236910	Turbo Clean Adapter Gray
576587	230400	Turbo Clean Internal
576595	230500	Turbo Clean Floor Fitting

CALIFORNIA PROPOSITION 65 WARNING

⚠️ **WARNING:** Cancer and Reproductive Harm.
 ⚠️ **AVERTISSEMENT:** Peut Causer le Cancer
 et des Dommages au Système Reproducteur.
 ⚠️ **ADVERTENCIA:** Cáncer y Daño Reproductivo.
www.p65warnings.ca.gov

PA620174A

QUIKCIRC® CIRCULATION SYSTEM

PACKAGED SYSTEMS



QuikCirc 3 G4
Package – White

QuikCirc 6 G4
Package – White

QuikCirc 6 G4 Vinyl
Package – White

Ordering Information

A&A Product #	Pentair Product #	Product Name & Description
QUIKCIRC 3-HEAD SYSTEM CONCRETE (2-port 2" Low Profile Valve, 3 G4 complete heads & risers, plastic head removal tool)		
584835	230169	QuikCirc 3 G4 Package – White
584819	226323	QuikCirc 3 G4 Package – Dk Gray
584827	230168	QuikCirc 3 G4 Package – Lt Gray
QUIKCIRC 6-HEAD SYSTEM CONCRETE (2-port 2" Low Profile Valve, 6 G4 complete heads & risers)		
581571	226251	QuikCirc 6 G4 Package – White
581642	226242	QuikCirc 6 G4 Package – Dk Gray
581651	226252	QuikCirc 6 G4 Package – Lt Gray
QUIKCIRC 6-HEAD SYSTEM VINYL (2-port 2" Low Profile Valve, 6 G2 complete vinyl heads)		
581669	226261	QuikCirc 6 G4 Vinyl Package – White
581677	226266	QuikCirc 6 G4 Vinyl Package – Dk Blue
581685	226262	QuikCirc 6 G4 Vinyl Package – Lt Gray
QUIKCIRC 9-HEAD SYSTEM CONCRETE (3-port 2" Low Profile Valve, 9 G4 complete heads & risers)		
581589	226301	QuikCirc 9 G4 Package – White
581693	226353	QuikCirc 9 G4 Package – Dk Gray
581706	226352	QuikCirc 9 G4 Package – Lt Gray
QUIKCIRC 9-HEAD SYSTEM VINYL (3-port 2" Low Profile Valve, 9 G2 complete vinyl heads)		
581714	226361	QuikCirc 9 G4 Vinyl Package – White
581722	226366	QuikCirc 9 G4 Vinyl Package – Dk Blue
581731	226362	QuikCirc 9 G4 Vinyl Package – Lt Gray
QUIKCIRC 6-HEAD SYSTEM CONCRETE (3-port 2" Low Profile Valve, 6 G4 complete heads & risers)		
585432	230172	QuikCirc 6 G4 Vinyl Package – White
585416	230170	QuikCirc 6 G4 Vinyl Package – Dk Gray
585424	230171	QuikCirc 6 G4 Vinyl Package – Lt Gray

CALIFORNIA PROPOSITION 65 WARNING

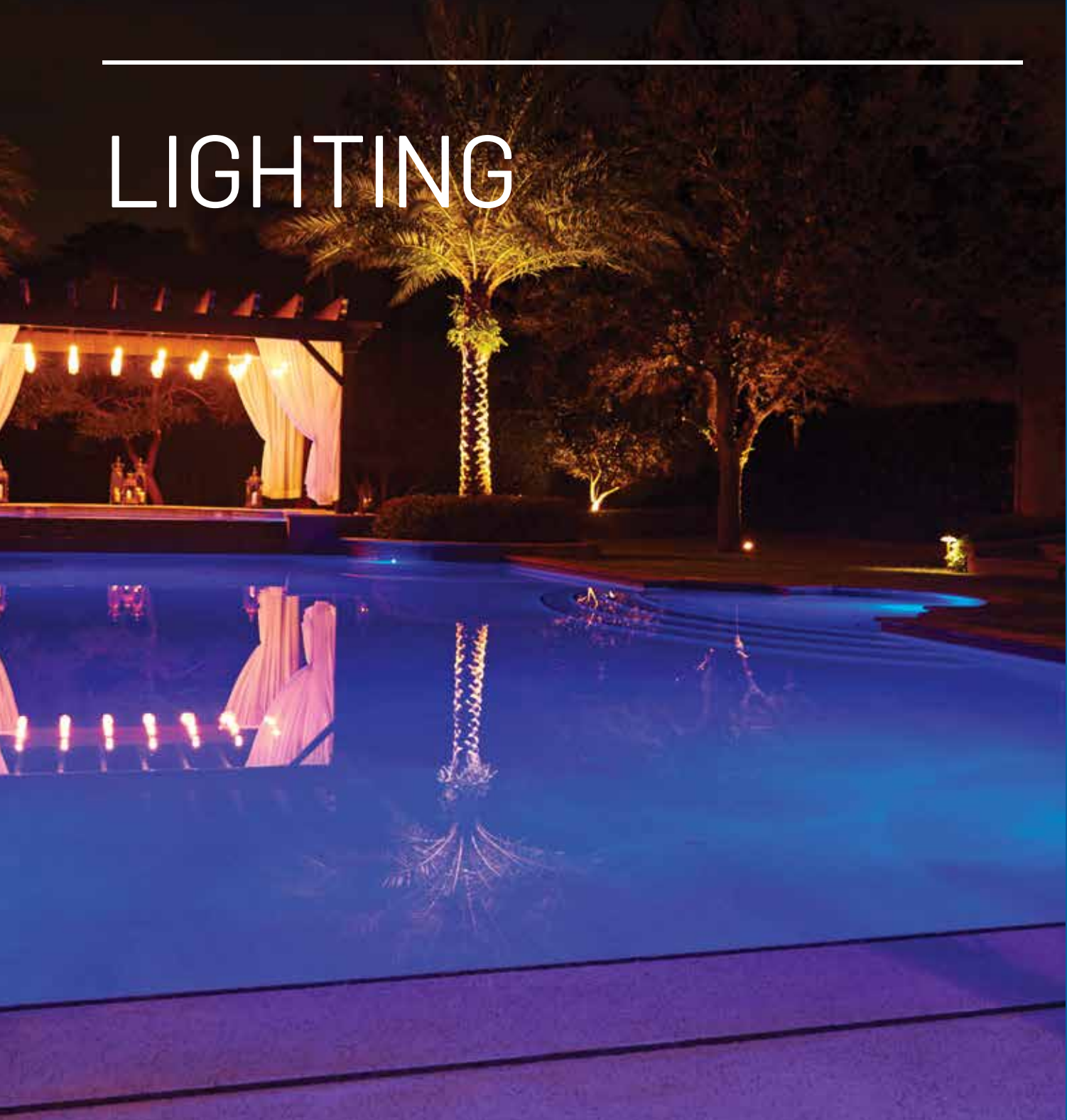
⚠ **WARNING:** Cancer and Reproductive Harm.
 ⚠ **AVERTISSEMENT:** Peut Causer le Cancer et des Dommages au Système Reproducteur.
 ⚠ **ADVERTENCIA:** Cáncer y Daño Reproductivo.
www.p65warnings.ca.gov

INTERNATIONAL AND METRIC PRODUCTS

A&A Metric Item #	Pentair Metric Item #	Product Name & Description
G4V COMPLETE HEADS W/ PROTECTA FOAM W/ RISER (Internal, Floor Fitting, Color Ring, Slurry Cap, Riser, & Protecta)		
567031	221104	G4V Complete with Riser Black
567066	221103	G4V Complete with Riser Dark Gray
567091	221107	G4V Complete with Riser Tan
567120	221101	G4V Complete with Riser White
567154	221108	G4V Complete with Riser Gold
567189	221106	G4V Complete with Riser Dark Blue
567218	221105	G4V Complete with Riser Euro Blue
577707	221102	G4V Complete with Riser Light Gray
G4VHP COMPLETE HEADS W/ PROTECTA FOAM W/ RISER (Internal, Floor Fitting, Color Ring, Slurry Cap, Riser, & Protecta)		
577723	223104	G4VHP Complete with Riser Black
577731	223103	G4VHP Complete with Riser Dark Gray
577740	223107	G4VHP Complete with Riser Tan
577758	223101	G4VHP Complete with Riser White
577766	223108	G4VHP Complete with Riser Gold
577774	223106	G4VHP Complete with Riser Dark Blue
577782	223105	G4VHP Complete with Riser Euro Blue
577791	223102	G4VHP Complete with Riser Light Gray
G4 HEADS COMPLETE ADJUSTIBLE ORIFICE W/ RISER (Internal, Floor Fitting, Color Ring, Slurry Cap, Riser, & Protecta)		
567058	222104	G4 Adjust Orifice Comp with Riser Black
567082	222103	G4 Adjust Orifice Comp with Riser Dark Gray
567111	222107	G4 Adjust Orifice Comp with Riser Tan
567146	222101	G4 Adjust Orifice Comp with Riser White
567171	222108	G4 Adjust Orifice Comp with Riser Gold
567200	222106	G4 Adjust Orifice Comp with Riser Dark Blue
567234	222105	G4 Adjust Orifice Comp with Riser Euro Blue
577715	222102	G4 Adjust Orifice Comp with Riser Light Gray



LIGHTING



INTELLIBRITE®

ARCHITECTURAL SERIES POOL & SPA LIGHTING



TRADEGRADE

IntelliBrite Architectural Series Pool Light

IntelliBrite Architectural Series Spa Light

Featured Highlights

- More light, more energy efficient — now 60% brighter and 50% more energy efficient*
- Spreads light widely and evenly in all directions using a 3D light engine and convex lens
- Provides cleaner white light with no color separation thanks to improved optics
- Color for every mood with five brilliant color lights and seven dynamic color-changing light shows
- High-quality components add durability to the dazzle due to long-lasting construction
- Compatibility with Pentair 10" and 6" niches enables an ideal upgrade from incandescent or first-generation LED lights
- Adds instant ambiance with easy customer pool control through a Pentair automation system, if available, or a Color Sync™ Controller for Pentair Color LED Lights

Our most brilliant lighting innovation yet. Our improved patented design is the next generation of LED technology.

CALIFORNIA PROPOSITION 65 WARNING

⚠️ **WARNING:** Cancer and Reproductive Harm.
 ⚠️ **AVERTISSEMENT:** Peut Causer le Cancer et des Dommages au Système Reproducteur.
 ⚠️ **ADVERTENCIA:** Cáncer y Daño Reproductivo.
www.p65warnings.ca.gov PR320174

Ordering Information

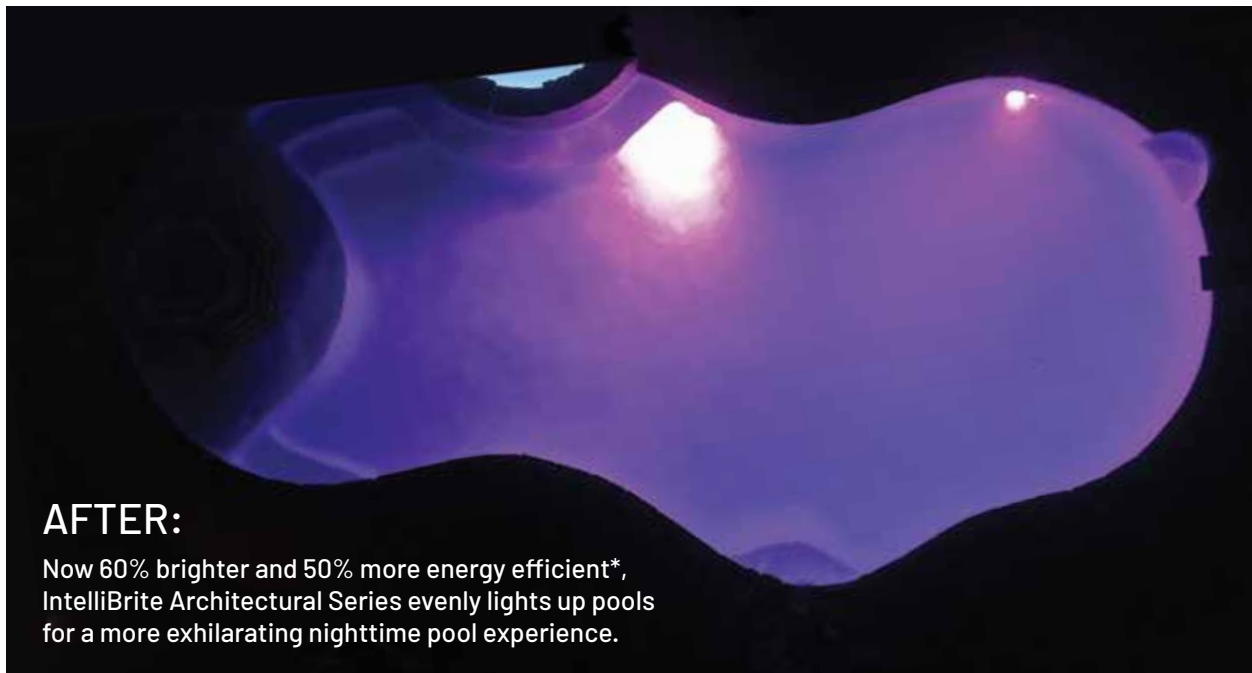
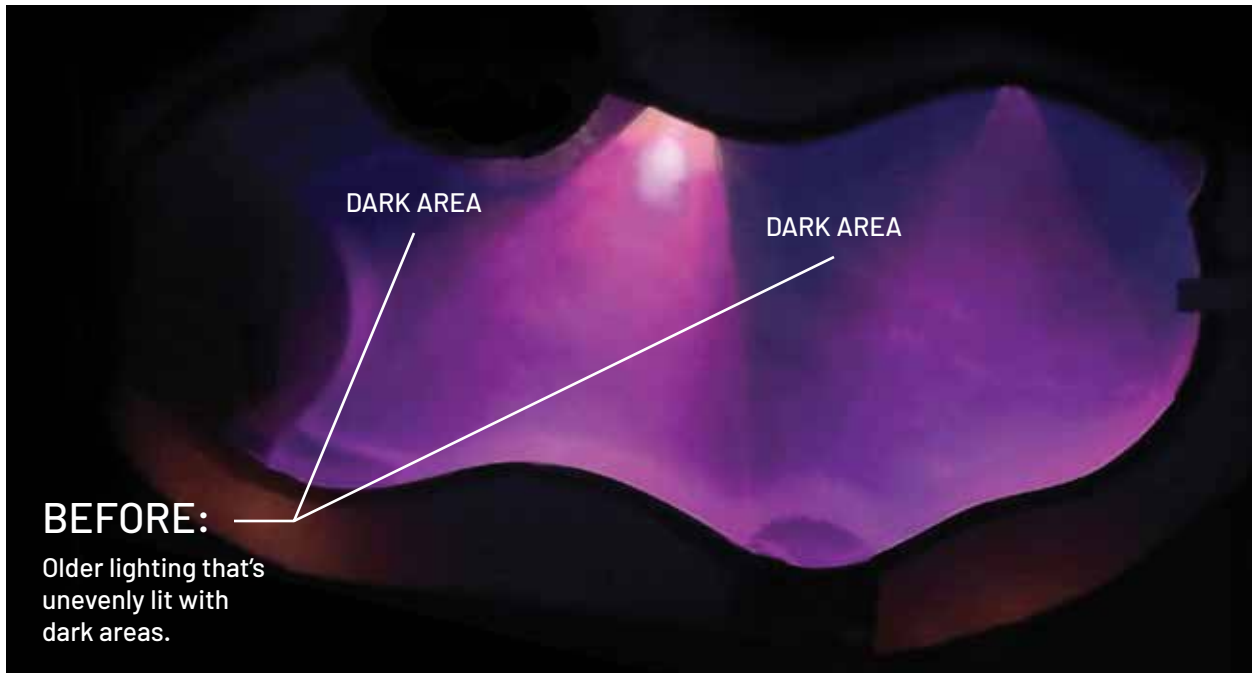
Product Number By Cord Length (Feet)					Size	Model	Voltage	Power
30'	50'	100'	150'	250'				
INTELLIBRITE ARCHITECTURAL SERIES POOL & SPA LIGHTING								
602185	602186	602187	602188	602206	Pool	Color	120V	28W
602151	602152	602153	602154	—	Pool	Color	12V	28W
602201	602202	602203	602204	602205	Spa	Color	120V	18W
602197	602198	602199	602200	—	Spa	Color	12V	18W
602181	602182	602183	602184	602207	Pool	White, 300W Equivalent	120V	26W
602143	602144	602145	602146	—	Pool	White, 300W Equivalent	12V	26W
602177	602178	602179	602180	602208	Pool	White, 500W Equivalent	120V	31W
602139	602140	602141	602142	—	Pool	White, 500W Equivalent	12V	31W
602193	602194	602195	602196	602209	Spa	White, 100W Equivalent	120V	18W
618015	618016	618017	618018	—	Spa	White, 100W Equivalent	12V	18W
602189	602190	602191	602192	602221	Pool	Warm White	120V	31W
602147	602148	602149	602150	—	Pool	Warm White	12V	31W
602225	602226	602227	602228	602229	Spa	Warm White	120V	18W
602238	602239	602240	602241	—	Spa	Warm White	12V	18W
—	—	—	602236	—	Pool	Turtle	12V	31W
—	—	—	602223	—	Pool	Turtle	120V	31W
—	—	—	602242	—	Spa	Turtle	12V	18W
—	—	—	602231	—	Spa	Turtle	120V	18W

*Compared to Pentair IntelliBrite 5G Color LED Pool Light in white color mode only. The IntelliBrite Architectural Series delivers higher lumen output depending on color mode, ranging from 28%–141% brighter, while energy efficiency improvements range from 17–58% based on color mode.

Appearance of color and white LED light may vary between various models of lights. Appearance and perception of pool lighting may vary depending on a number of factors including, but not limited to, the particular model of light, the location/depth/angle of the light's installation, pool finish/material, pool depth/shape/geometry, ambient light sources, subjective factors and more. For best results when using multiple lights, use all the same model and do not mix multiple models of lights within a single installation.

INTELLIBRITE®

ARCHITECTURAL SERIES POOL & SPA LIGHTING



*Compared to Pentair IntelliBrite 5G Color LED Pool Light in white color mode only. The IntelliBrite Architectural Series delivers higher lumen output depending on color mode, ranging from 28%-141% brighter, while energy efficiency improvements range from 17-58% based on color mode.

Certifications



See page 472–475 for replacement parts.

MICROBRITE®

COLOR AND WHITE LED LIGHT

TRADEGRADE



Give pools a brilliant lighting upgrade without the installation difficulties.

Only 3.5-in. long, MicroBrite lights fit easily into standard 1.5-in. wall fittings and are suitable for retrofit into many pools with older fiber optic systems.

Note: Only MicroBrite White and Warm White lights have three different brightness levels. MicroBrite Color lights have one brightness level.

All Pentair UL Listed underwater lights are certified for use in fresh water with up to 6,000 ppm salinity.

Featured Highlights

- Energy-saving, LED efficiency from one of the industry's most compact 12V LED plastic light
- Only 3.5 inches long, fits into narrow walls and tight spaces, can be installed horizontally or vertically
- No niche required — installs in any standard 1.5 inch pool wall fitting
- Connect to any Pentair control system or the Pentair Color Sync™ Controller
- MicroBrite Color Lights allow five predetermined fixed colors or seven popular "color shows" that come preprogrammed into the MicroBrite Light
- MicroBrite White and Warm White lights allow the selection of three brightness levels (100%, 75% and 50%)

CALIFORNIA PROPOSITION 65 WARNING

⚠️ **WARNING:** Cancer and Reproductive Harm.
 ⚠️ **AVERTISSEMENT:** Peut Causer le Cancer et des Dommages au Système Reproducteur.
 ⚠️ **ADVERTENCIA:** Cáncer y Daño Reproductivo.
www.p65warnings.ca.gov PA2019/A

Ordering Information

Product	Description	Color	Lights	Cord Length	Voltage	Watts
MICROBRITE LED LIGHT						
620424	MicroBrite Light	Color LED	One	50'	12V	12W
620425	MicroBrite Light	Color LED	One	100'	12V	12W
620426	MicroBrite Light	Color LED	One	150'	12V	12W
602214	MicroBrite-G Light	Color LED, for installation in Pentair GloBrite Niche or Pentair ColorVision Bubbler	One	100'	12V	12W
602166	MicroBrite-G Light	Color LED, for installation in Pentair GloBrite Niche or Pentair ColorVision Bubbler	One	150'	12V	12W
620428	MicroBrite Light	White LED	One	50'	12V	12W
620429	MicroBrite Light	White LED	One	100'	12V	12W
620430	MicroBrite Light	White LED	One	150'	12V	12W
602213	MicroBrite-G Light	White LED, for installation in Pentair GloBrite Niche or Pentair ColorVision Bubbler	One	100'	12V	12W
602165	MicroBrite-G Light	White LED, for installation in Pentair GloBrite Niche or Pentair ColorVision Bubbler	One	150'	12V	12W
602156	MicroBrite Light	Warm White LED	One	50'	12V	12W
620457	MicroBrite Light	Warm White LED	One	100'	12V	12W
602155	MicroBrite Light	Warm White LED	One	150'	12V	12W
602215	MicroBrite-G Light	Warm White LED, for installation in Pentair GloBrite Niche or Pentair ColorVision Bubbler	One	100'	12V	12W
602167	MicroBrite-G Light	Warm White LED, for installation in Pentair GloBrite Niche or Pentair ColorVision Bubbler	One	150'	12V	12W
602157	MicroBrite Light	Turtle Edition*	One	150'	12V	12W

*620nm red/orange light, for special oceanfront pool applications in certain areas with regulations intended to protect sea turtles.

Note: Appearance of color and white LED light may vary between various models of lights. Appearance and perception of pool lighting may vary depending on a number of factors including, but not limited to, the particular model of light, the location/depth/angle of the light's installation, pool finish/material, pool depth/shape/geometry, ambient light sources, subjective factors and more. For best results when using multiple lights, use all the same model and do not mix multiple models of lights within a single installation.

MICROBRITE®

COLOR AND WHITE LED LIGHT

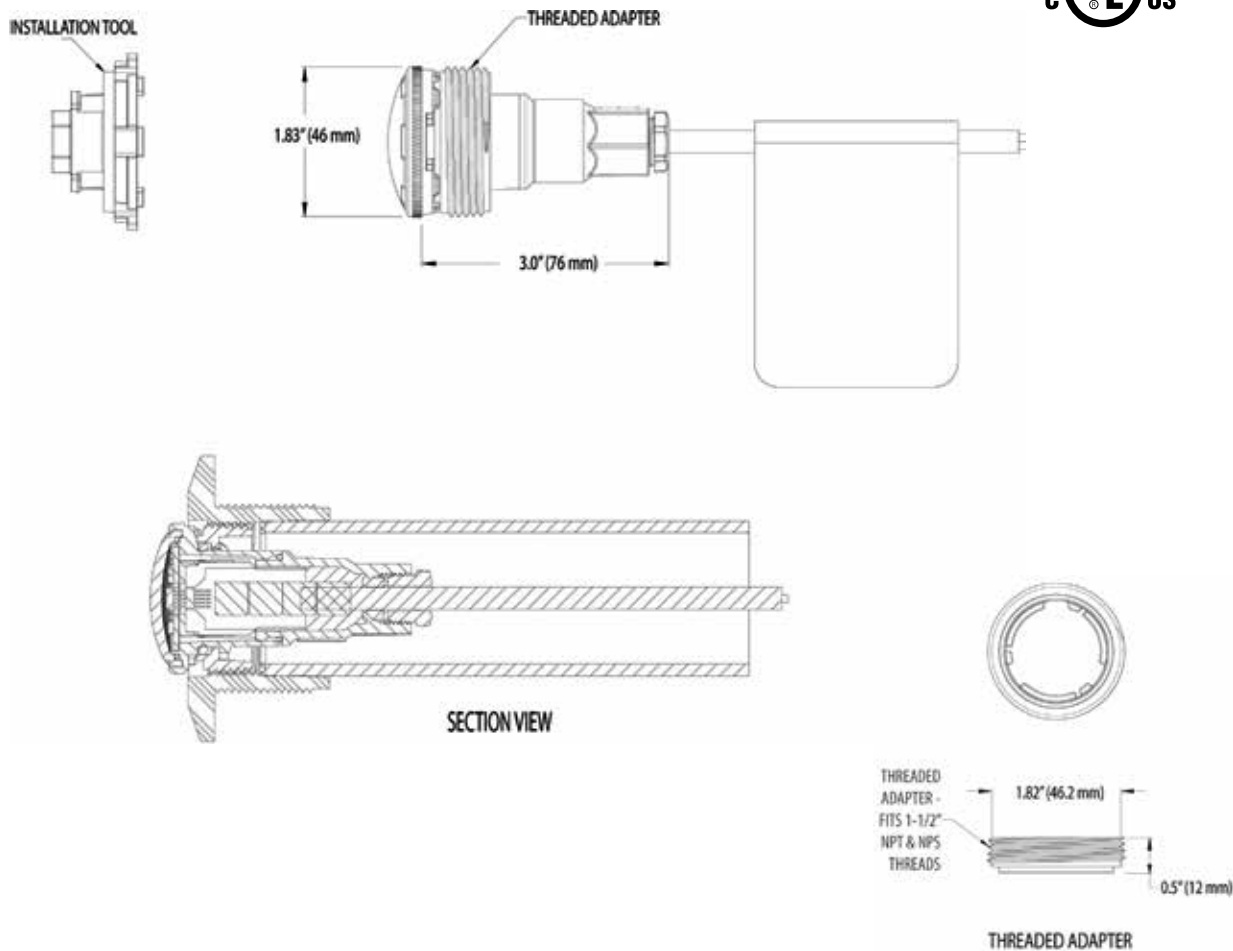
Product	Description	Color	Lights	Cord Length	Voltage
MICROBRITE COMBO KITS WITH 300 WATT TRANSFORMER					
602130	MicroBrite 2 Light Combo Kit	Color LED	Two	100'	12V
602131	MicroBrite 2 Light Combo Kit	White LED	Two	100'	12V
602132	MicroBrite 2 Light Combo Kit	Warm White LED	Two	100'	12V
602133	MicroBrite 4 Light Combo Kit	Color LED	Four	100'	12V
602134	MicroBrite 4 Light Combo Kit	White LED	Four	100'	12V
602135	MicroBrite 4 Light Combo Kit	Warm White LED	Four	100'	12V

Note: A 300W transformer is included in each combo kit. Transformer is 120V input, 12V-14V output.

Product	Description
REPLACEMENT KITS	
620460	MicroBrite Light Adaptor, Replacement
620459	Installation Tool, Replacement. (Hex/Wrench Style)
602158Z	Installation Tool, Replacement (Hand/Grip Style)
620463	Conduit Seal O-Ring, Replacement
618040	Adapter for MicroBrite to GloBrite Niche
640085Z	Adapter for MicroBrite to HiLite Niche

Product	Voltage	Wattage
TRANSFORMERS (LANDSCAPE POOL RATED)		
619962	120V Input, 12-14V Output	100W
619963	120V Input, 12-14V Output	300W

Dimensions and Certifications



GLOBRITE® WHITE AND COLOR LED LIGHTS

UNDERWATER LED LIGHTS FOR SWIMMING POOLS AND SPAS

TRADEGRADE



Featured Highlights

- Advanced technology for energy-efficient high quality pool lighting
- Can be placed in as little as 4 in. of water, even in the floor pointing up
- Does not require grounding or bonding for quick and easy installations
- Five brilliant fixed colors and seven pre-programmed light shows
- Compatible with all Pentair Lighting Controllers and Automation Systems for advanced control features
- Compatible with gunite/concrete, fiberglass and vinyl pools

GloBrite LED lighting is a brilliant way to showcase your backyard oasis and highlight pool features like sun shelves, steps, beach entries and bubblers.

Note: Only GloBrite White lights have three different brightness levels. GloBrite Color lights have one brightness level.

CALIFORNIA PROPOSITION 65 WARNING

⚠️ WARNING: Cancer and Reproductive Harm.
 ⚠️ AVERTISSEMENT: Peut Causer le Cancer et des Dommages au Système Reproducteur.
 ⚠️ ADVERTENCIA: Cáncer y Daño Reproductivo.

www.p65warnings.ca.gov. PH.002114

Ordering Information

Product	Voltage	Wattage	Cord Length (Ft.)	Carton Qty.	Carton Wt. (Lbs.)
GLOBRITE COLOR LED LIGHTS					
602053	12	15W	30	1	5
602054	12	15W	50	1	6
602055	12	15W	100	1	9
602056	12	15W	150	1	12

Product	Voltage	Wattage	Cord Length (Ft.)	Carton Qty.	Carton Wt. (Lbs.)
GLOBRITE WHITE LED LIGHTS					
602102	12	15W	30	1	5
602103	12	15W	50	1	6
602104	12	15W	100	1	9
602105	12	15W	150	1	12

Product	Description	Carton Qty.	Carton Wt. (Lbs.)
GLOBRITE NICHES			
620040	Gunite/Concrete Niche for GloBrite (includes white, blue, black, gray and tan rings)	1	1.3
620039	Vinyl Niche for GloBrite (includes white, blue, and gray rings)	1	1.3
620041	Fiberglass Niche for GloBrite (white)	1	1.3
620093	Fiberglass Niche for GloBrite (blue)	1	1.3
620094	Fiberglass Niche for GloBrite (gray)	1	1.3
GLOBRITE COLOR KITS, INCLUDING NICHE & TRANSFORMER			
619993	1 GloBrite Color 100 ft. with 300W Transformer + Gunite Niche	1	25
619994	2 GloBrite Color 100 ft. with 300W Transformer + 2 Gunite Niches	1	40
620051	1 GloBrite Color 100 ft. with 300W Transformer + Fiberglass Niche	1	25
620052	2 GloBrite Color 100 ft. with 300W Transformer + 2 Fiberglass Niches	1	40
620080	1 GloBrite Color 100 ft. with 300W Transformer + Vinyl Niche	1	25
620081	2 GloBrite Color 100 ft. with 300W Transformer + 2 Vinyl Niches	1	40

NOTE: Appearance of color and white LED light may vary between various models of lights. Appearance and perception of pool lighting may vary depending on a number of factors including, but not limited to, the particular model of light, the location/depth/angle of the light's installation, pool finish/material, pool depth/shape/geometry, ambient light sources, subjective factors and more. For best results when using multiple lights, use all the same model and do not mix multiple models of lights within a single installation.

GLOBRITE® WHITE AND COLOR LED LIGHTS (CONT'D)

UNDERWATER LED LIGHTS FOR SWIMMING POOLS AND SPAS

Ordering Information

Product	Description	Carton Qty.	Carton Wt. (Lbs.)
GLOBRITE WHITE KITS, INCLUDING NICHE & TRANSFORMER			
602106	2 GloBrite White 100 ft. with 300W Transformer + 2 Gunite Niches	1	40
602107	2 GloBrite White 100 ft. with 300W Transformer + 2 Fiberglass Niches	1	40
602108	2 GloBrite White 100 ft. with 300W Transformer + 2 Vinyl Niches	1	40
TRANSFORMERS (LANDSCAPE AND POOL RATED)			
619962	120V Input, 12-14V Output 100W	1	12
619963	120V Input, 12-14V Output 300W	1	12
ACCESSORIES			
620314	GloBrite LED Light Glare Shield		
602136	Replacement Face Ring Kit for GloBrite Vinyl Liner Niche, Blue*		
602137	Replacement Face Ring Kit for GloBrite Vinyl Liner Niche, Gray*		
602138	Replacement Face Ring Kit for GloBrite Vinyl Liner Niche, White*		

* Includes three (3) faceplates in specified color, three (3) gaskets, twelve (12) screws. Each kit can fully equip three (3) GloBrite lights with new faceplates, gaskets and screws.

All Pentair UL Listed underwater lights are certified for use in fresh water with up to 6,000 ppm salinity.

Certifications



CALIFORNIA PROPOSITION 65 WARNING	
⚠️	WARNING: Cancer and Reproductive Harm.
⚠️	AVERTISSEMENT: Peut Causer le Cancer et des Dommages au Système Reproducteur.
⚠️	ADVERTENCIA: Cáncer y Daño Reproductivo.
www.p65warnings.ca.gov	

See page 478 for replacement parts.

COLOR SYNC™ CONTROLLER

FOR PENTAIR COLOR LED POOL LIGHTS

With the Color Sync Controller, your customers can quickly, easily and remotely turn their backyard oasis into a true extension of their home. Convenient control through the Pentair Home app puts them in the driver's seat to automate a vibrant pool experience that matches their mood.



Featured Highlights

- Universally compatible with all Pentair Color LED lights
- Convenient control with the Pentair Home app
- Create dazzling light shows from seven existing themes and five colors
- Easily save favorite color settings for future use
- Set automated schedules through the app
- Weatherproof design for outdoor installation
- GPS enabled to automatically turn on at twilight
- Weekday vs. weekend options, with multiple runtime options

Compatible with MicroBrite® Color LED Lights, GloBrite® Color Changing LED Lights, IntelliBrite® 5G Color LED Pool Light, IntelliBrite Architectural Series Color Pool Light, ColorVision® LED Bubbler, and MagicStream® Laminars.

Ordering Information

Product	Descriptor
COLOR SYNC™ CONTROLLER	
618031	Color Sync Controller

CALIFORNIA PROPOSITION 65 WARNING

⚠️ **WARNING:** Cancer and Reproductive Harm.
 ⚠️ **AVERTISSEMENT:** Peut Causer le Cancer et des Dommages au Système Reproducteur.
 ⚠️ **ADVERTENCIA:** Cáncer y Daño Reproductivo.
www.p65warnings.ca.gov PK201714

NOTE: Appearance of color and white LED light may vary between various models of lights. Appearance and perception of pool lighting may vary depending on a number of factors including, but not limited to, the particular model of light, the location/depth/angle of the light's installation, pool finish/material, pool depth/shape/geometry, ambient light sources, subjective factors and more. For best results when using multiple lights, use all the same model and do not mix multiple models of lights within a single installation.

AMERLITE®

UNDERWATER INCANDESCENT LIGHTS WITH S/S FACE RINGS

Featured Highlights

- A standard of reliability
- Stainless steel face ring with uni-tension clamp
- Prismatic tempered lens
- Low water cutoff
- Medium blue lenses available
- Plastic snap-on face rings available for s/s lights

TRADEGRADE



Amerlite Incandescent Light

Amerlite light, a standard of reliability for underwater lights, features a stainless steel shell, 8-3/8 in. prismatic tempered glass lens, and stainless steel face ring with uni-tension clamp. Amerlite lights are UL listed to install in full-sized Pentair Pool Products, American, PacFab and Purex niches.

All Pentair UL Listed underwater lights are certified for use in fresh water with up to 6,000 ppm salinity.

Ordering Information

Product	Voltage	Wattage	Cord Length (Ft.)	Carton Qty.	Carton Wt. (Lbs.)
AMERLITE WITH STAINLESS STEEL FACE RING – 400 WATT, 120 VOLT					
78441100	120	400	15	1	6
78448100	120	400	50	1	10
78949100	120	400	100	1	15
78447100	120	400	150	1	20
78449100	120	400	200	1	25
AMERLITE WITH STAINLESS STEEL FACE RING – 500 WATT, 120 VOLT					
78451100	120	500	15	1	6
78458100	120	500	50	1	10
78456300	120	500	100	1	15
78457100	120	500	150	1	20
78459100	120	500	200	1	25

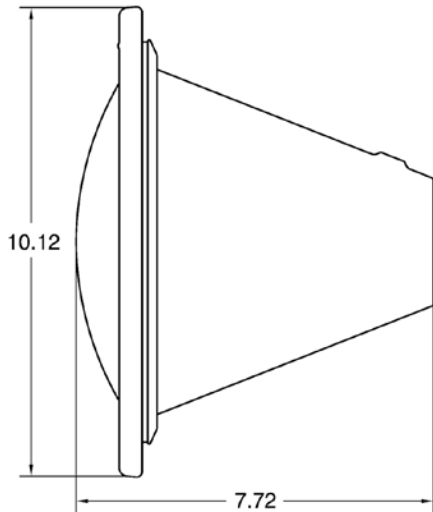
CALIFORNIA PROPOSITION 65 WARNING
 ⚠️ **WARNING:** Cancer and Reproductive Harm.
 ⚠️ **AVERTISSEMENT:** Peut Causer le Cancer et des Dommages au Système Reproducteur.
 ⚠️ **ADVERTENCIA:** Cáncer y Daño Reproductivo.
www.p65warnings.ca.gov PS-201714

AMERLITE® (CONT'D)

UNDERWATER INCANDESCENT LIGHTS WITH S/S FACE RINGS

Product	Voltage	Wattage	Cord Length (Ft.)	Carton Qty.	Carton Wt. (Lbs.)
STAINLESS STEEL AMERLITE WITH MEDIUM BLUE LENS – 500 WATT, 120 VOLT					
78958500	120	500	100	1	15
LENS, COVERS, AND FACE RINGS FOR AMERLITE					
79100100	Clear Lens, tempered			1	1
79100200	Medium Blue Lens, tempered			1	1/2
79110600	Stainless Steel Face Ring			1	1/2

Dimensions and Certifications



Note: All 120 volt pool and spa lights must be connected to a branch circuit protected by a ground fault circuit interrupter (GFCI).

Note: All cord lengths over 50 feet on 12 volt lights create resistance that dramatically reduces the light output. This condition exists on all low voltage lights regardless of design or manufacturer.

Notice: Underwriters Laboratories has listed Pentair Water Pool and Spa, Inc. lights for use with Pentair Water Pool and Spa, Pentair Pool Products, American Products, Purex, or PacFab niches ONLY. To ensure proper grounding/bonding connections install only Pentair Water Pool and Spa lights in Pentair, Water Pool and Spa, Pentair Pool Products, American Products, Purex or PacFab niches only.

Note: **Amerlite** Incandescent Lights can be utilized to replace: **Sta-Rite:** SunSaver, SunGlow. **Purex-Triton:** Hatteras. **PacFab:** AmerQuartz, Spectrum Amerlite (SAM). To ensure proper grounding of replacement lights, please see the notice directly above.

CALIFORNIA PROPOSITION 65 WARNING

⚠ **WARNING:** Cancer and Reproductive Harm.

⚠ **AVERTISSEMENT:** Peut Causer le Cancer et des Dommages au Système Reproducteur.

⚠ **ADVERTENCIA:** Cáncer y Daño Reproductivo.

www.p65warnings.ca.gov PR 201514

See page 480 for replacement parts.

FOUNTAIN LIGHTS AND FIXTURES

FOR USE IN FOUNTAINS

Featured Highlights

Fountain Fixtures

- Sturdy cast bronze construction with attractive natural bronze finish
- Base and yoke-mount rotate 360° and pivot 180°
- Integrated bonding lug for electrical safety
- Innovative strain-relief helps prevent damage to wiring connections
- Niche installation option available
- Large fixture for use with the IntelliBrite® Architectural Series Pool Light for water fountains and AmerLite Lights listed for fountain use
- Small fixture for use with the IntelliBrite Architectural Series Spa Light



Pentair Fountain Lights are commercial grade fixtures that offer color lighting capabilities, as well as traditional white lighting. When combined with Pentair's IntelliBrite Architectural Series color lights, these systems can bathe fountains in a constantly changing spectrum of color. Both large and small fixtures are designed for easy installation and for use with Pentair lights only.

Ordering Information

Product	Description	Carton Qty.	Carton Wt. (Lbs.)
FOUNTAIN FIXTURES			
602256	Fountain fixture for large lights with rock guard ¹	1	15
560001	Fountain fixture for small lights with rock guard ¹	1	9
FOUNTAIN ROCK GUARDS			
602257	Fountain rock guard for large niches ²	1	7
560003	Fountain rock guard for small niches ²	1	4

¹ Light is sold separately.

² Light and niche sold separately.

Certifications



Note: Underwriters Laboratories has listed Pentair Water Pool and Spa, Inc. lights for use with Pentair Water Pool and Spa, Pentair Pool Products, American Products, Purex, or PacFab niches ONLY. To ensure proper grounding/bonding connections install only Pentair Water Pool and Spa lights in Pentair, Water Pool and Spa, Pentair Pool Products, American Products, Purex or PacFab niches only.

CALIFORNIA PROPOSITION 65 WARNING

⚠ **WARNING:** Cancer and Reproductive Harm.
 ⚠ **AVERTISSEMENT:** Peut Causer le Cancer et des Dommages au Système Reproducteur.
 ⚠ **ADVERTENCIA:** Cáncer y Daño Reproductivo.

www.p65warnings.ca.gov
PR020714

See page 482 for replacement parts.

PENTAIR LARGE STAINLESS STEEL NICHES

NICHES FOR SWIMMING POOLS AND SPAS



Pentair Large Niches

Large stainless steel niches are formed with brass fittings. All niches have internal and external grounding lugs for use with either metal or PVC conduit.

CALIFORNIA PROPOSITION 65 WARNING
 ⚠️ **WARNING:** Cancer and Reproductive Harm.
 ⚠️ **AVERTISSEMENT:** Peut Causer le Cancer et des Dommages au Système Reproducteur.
 ⚠️ **ADVERTENCIA:** Cáncer y Daño Reproductivo.
 www.p65warnings.ca.gov. PH 202114

Featured Highlights

- Niches for all installations
- Stainless steel housing
- Brass hub: 3/4 or 1 in.
- Internal/external bonding lugs
- Vinyl niches with chrome/brass sealing rings
- Sandwich gasket for vinyl
- Powder coated sealing ring (optional)

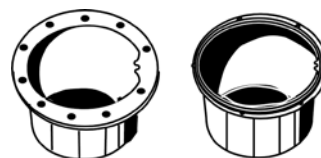
Ordering Information

Product	Description	Carton Qty.	Carton Wt. (Lbs.)
LARGE STAINLESS STEEL NICHES FOR CONCRETE INSTALLATION			
78210400	3/4 in. top hub	1	3
78210700	3/4 in. rear hub	1	3
78210500	1 in. top hub	1	3
78210600	1 in. rear hub	1	3
VINYL AND FIBERGLASS INSTALLATION, STANDARD 10 HOLE PATTERN			
78232400	Fiberglass/liner, 3/4 in. rear hub	1	5
78232500	Fiberglass/liner, 1 in. rear hub	1	5
LARGE STAINLESS STEEL NICHE, CONCRETE SHIELD			
45361000	Niche Shield for construction	1	0.325
79211600Z	Replacement/Repair Niche plaster ring	1	5
LARGE STAINLESS STEEL NICHE - CANADIAN LIGHTS			
78210701	For Concrete Installation - 3/4 in. rear hub	1	0.25
78232401	For Vinyl and Fiberglass Installation - 3/4 in. rear hub		
POWDER COATED SEALING RINGS, VINYL/FIBERGLASS			
79200255	Sealing ring, large niche (white)	1	0.01
SEALANT FOR NICHE BONDING LUGS			
60028300	Listed potting compound	1	0.0375

Dimensions and Certifications

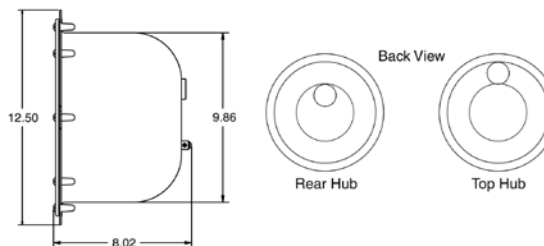


Notice: Underwriters Laboratories has listed Pentair Water Pool and Spa, Inc. lights for use with Pentair Water Pool and Spa, Pentair Pool Products, American Products, Purex, or PacFab niches ONLY. To ensure proper grounding/bonding connections install only Pentair Water Pool and Spa lights in Pentair, Water Pool and Spa, Pentair Pool Products, American Products, Purex or PacFab niches only.



Standard 10 Hole Pattern

Gunite Hole Pattern



See page 483 for replacement parts.

PENTAIR SMALL STAINLESS STEEL NICHEs

NICHEs FOR SWIMMING POOLs AND SPAs

Featured Highlights

- Stainless steel housing
- Brass hub: 3/4 or 1 in.
- Internal/external bonding lugs
- Vinyl niches with chrome/brass sealing rings
- Niches for all installations
- Sandwich gasket for vinyl



Pentair Small Niches

Small stainless steel niches are formed with brass fittings. All niches have internal and external bonding lugs and can be used with either metal or PVC conduit.

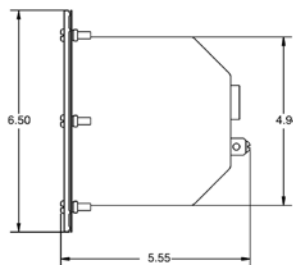
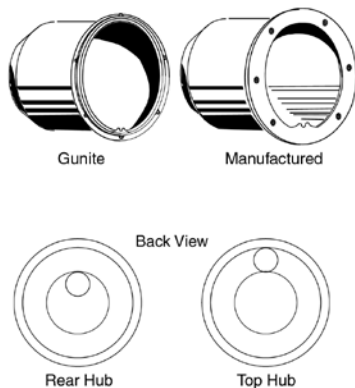
CALIFORNIA PROPOSITION 65 WARNING

⚠ **WARNING:** Cancer and Reproductive Harm.
 ⚠ **AVERTISSEMENT:** Peut Causer le Cancer et des Dommages au Système Reproducteur.
 ⚠ **ADVERTENCIA:** Cáncer y Daño Reproductivo.
www.p65warnings.ca.gov P8-201714

Ordering Information

Product	Description	Carton Qty.	Carton Wt. (Lbs.)
SMALL STAINLESS STEEL NICHEs FOR CONCRETE INSTALLATION			
78243200	Concrete pools or spas, 3/4 in. top hub	1	2
78244200	Concrete pools or spas, 3/4 in. rear hub	1	2
78243300	Concrete pools or spas, 1 in. top hub	1	2
78244300	Concrete pools or spas, 1 in. rear hub	1	2
MANUFACTURED POOLs, SPAs & TUBs INSTALLATION			
78242200	Manufactured pools, spas & tubs, 3/4 in. rear hub	1	3
78242300	Manufactured pools, spas & tubs, 1 in. rear hub	1	3
SMALL STAINLESS STEEL NICHE SHIELD			
45361500	Niche shield for SpaBrite/AquaLight Niche	1	0.25
VINYL/FIBERGLASS NICHE SEALING RING, POWDER-COATED			
79206055	Sealing ring, small niche	1	0.01
SEALANT FOR NICHE BONDING LUGs			
60028300	Listed potting compound	1	0.325
SMALL STAINLESS STEEL NICHEs - CANADIAN LIGHTs			
78241202	For manufactured pools, spas & tubs, 3/4" top hub - Canadian Lights	12	2
78242202	For manufactured pools, spas & tubs, 3/4" rear hub - Canadian Lights	12	2
78244202	For Concrete Installation - 3/4 in. rear hub - Canadian Lights	12	3

Dimensions and Certifications



Notice: Underwriters Laboratories has listed Pentair Water Pool and Spa, Inc. lights for use with Pentair Water Pool and Spa, Pentair Pool Products, American Products, Purex, or PacFab niches ONLY. To ensure proper grounding/bonding connections install only Pentair Water Pool and Spa lights in Pentair, Water Pool and Spa, Pentair Pool Products, American Products, Purex or PacFab niches only.

See page 484 for replacement parts.

PLASTIC NICHES

PLASTIC NICHES FOR SWIMMING POOLS AND SPAS



Gunite Plastic Niches - These plastic concrete niches are molded of high strength, corrosion resistant PVC with a one inch PVC hub. Both 450 and 3/4 in. reducer bushings are included. Gunite models feature rebar tie-backs and a plaster ring for clean, simple installations and all are packed with a gunite/plaster shield.



QuickNiche™ Vinyl Liner Niche - One look at the QuickNiche is all it takes to see that this is a product that really lives up to its name. It is an easy-to-install, super-sealing light niche for vinyl liner pools. It features a revolutionary lock-ring design that mounts and seals like a vinyl inlet fitting fast, secure, and totally leak proof.

Featured Highlights

Gunite Plastic Niches:

- Innovative cord seal grommet (Accessory sold separately)
- Large and small models
- Rebar tie-backs
- Plaster ring for secure sealing
- Internal/external bonding lugs
- High strength PVC construction
- Rear one inch PVC hub
- Includes 45° and 3/4 in. reducer bushings
- Includes gunite/plaster shield

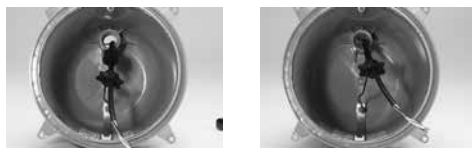
QuickNiche:

- Revolutionary design mounts and seals like a vinyl inlet fitting
- No screws directly through the pool wall as with conventional vinyl niches
- Designed for quick and easy, one-person installation
- Rubber gasket overmolded on seal ring for reliable sealing
- Built-in current-collecting ring for maximum safety
- Zero wall panel exposure
- Fits standard niche panel
- UL listed

Ordering Information

Product	Description	Carton Qty.	Carton Wt. (Lbs.)
PLASTIC NICHE - CONCRETE			
79206600	Small PVC niche, concrete ¹	1	2
79206700	Large PVC niche, concrete ¹	1	3
PLASTIC NICHE - VINYL			
620004	QuickNiche ^{1,2}	1	1
630043	QuickNiche blue seal ring	1	1
630044	QuickNiche gray seal ring	1	1
ACCESSORIES			
670044	Cord Seal Grommet Kit	3	1
60028300	Listed potting compound	1	0.325

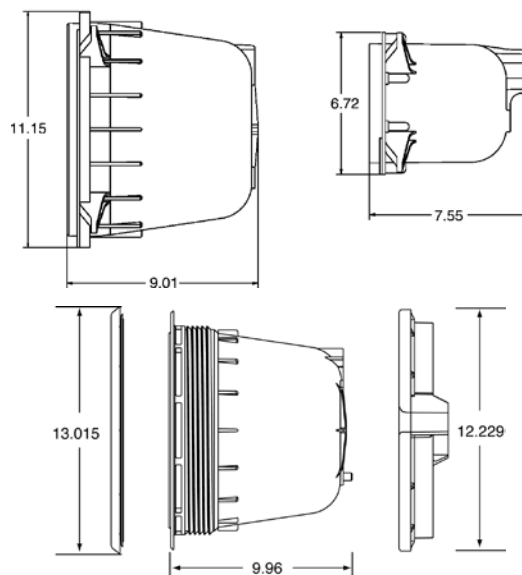
Dimensions and Certifications



Innovative cord seal grommet accessory (p/n 670044)

Notice: Underwriters Laboratories has listed Pentair Water Pool and Spa, Inc. lights for use with Pentair Water Pool and Spa, Pentair Pool Products, American Products, Purex, or PacFab niches ONLY. To ensure proper grounding/bonding connections install only Pentair Water Pool and Spa lights in Pentair, Water Pool and Spa, Pentair Pool Products, American Products, Purex or PacFab niches only.

¹ Plastic niches are only listed for use with 12V lights in Canada.
² Cord seal grommet not available for Quick Niche.



See page 485-486 for replacement parts.

CALIFORNIA PROPOSITION 65 WARNING
 ⚠️ WARNING: Cancer and Reproductive Harm.
 ⚠️ AVERTISSEMENT: Peut Causer le Cancer et des Dommages au Système Reproducteur.
 ⚠️ ADVERTENCIA: Cáncer y Daño Reproductivo.
 www.p65warnings.ca.gov. P# 20174

LIGHT ACCESSORIES AND JUNCTION BOXES

ADD-ON FEATURES AND ACCESSORIES FOR ALL PENTAIR LIGHTS

Featured Highlights

Kwik-Change Lens Covers

- Powder coated vinyl niche sealing ring
- Snap-on plastic face rings available for s/s lights

Junction Boxes

- Available in 3 sizes: 1/2, 3/4 & 1 in.
- Polycarbonate cover with brass base
- Built-in strain relief
- UL listed

Our optional light and niche features are designed to enhance our standard products and accommodate your specific project requirements.



Add-on Light Features and Accessories

Ordering Information

Product	Description	Carton Qty.	Carton Wt. (Lbs.)
600140	AquaLumin 3 Lens Cover Kit	1	0.5
SNAP-ON PLASTIC FACE RINGS FOR AMERLITE			
79212111	Black	1	0.01
79212165	Gray	1	0.01
79213111	Black	24	0.01
79213100	White	24	0.01
SNAP-ON PLASTIC FACE RINGS FOR SPABRITE/AQUALIGHT			
79212200	White	1	0.01
79212211	Black	1	0.06
79212265	Gray	1	0.06
VINYL NICHE SEALING RING, WHITE POWDER-COATED			
79200255	Sealing ring, large niche	1	0.01
79206055	Sealing ring, small niche	1	0.01
JUNCTION BOX BRASS BASE W/ POLYCARBONATE COVER ¹			
78310500	(3) - 1/2 in. ports	1	1
78310600	(3) - 3/4 in. ports	1	1
78310700	3/4 in. x 1 in. x 3/4 in. ports	1	1

¹ UL Listed.

Certifications



CALIFORNIA PROPOSITION 65 WARNING

⚠ **WARNING:** Cancer and Reproductive Harm.
⚠ **AVERTISSEMENT:** Peut Causer le Cancer et des Dommages au Système Reproducteur.
⚠ **ADVERTENCIA:** Cáncer y Daño Reproductivo.
www.p65warnings.ca.gov



MAINTENANCE & SAFETY EQUIPMENT



BRUSHES AND SCRUBBERS

POOL, SPA, DECK AND TILE BRUSHES

Featured Highlights

Curved Brushes

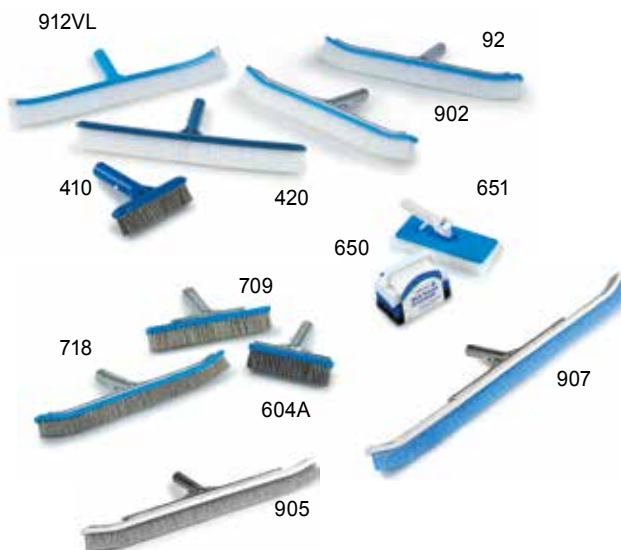
- UV stabilized polypropylene or nylon bristles.
- Snap-adapt handle fits most poles
- Aluminum Back Brushes with strong die cast aluminum back
- Molded Brushes with heavy-duty one piece molded construction
- Model 907 has a 50/50 blend of stainless and nylon bristles. Recommended for new pool start-up brushing or mild algae cleaning.

Stainless Steel Algae Brushes

- All algae brushes feature quality stainless steel bristles
- Perfect for removing tough algae on plaster surfaces
- Snap-adapt handle fits most poles

Scrubbers

- 650 Scrubber has a molded hand grip and includes 3 interchangeable pads
- 651 Universal Scrubber features an ABS back with a swivel joint handle and a light duty replaceable pad



Pool, Spa, Deck and Tile Brushes

CALIFORNIA PROPOSITION 65 WARNING

⚠ **WARNING:** Cancer and Reproductive Harm.
 ⚠ **AVERTISSEMENT:** Peut Causer le Cancer et des Dommages au Système Reproducteur.
 ⚠ **ADVERTENCIA:** Cáncer y Daño Reproductivo.
www.p65warnings.ca.gov

Ordering Information

Product	Model	Description	Carton Qty.	Carton Wt. (Lbs.)
CURVED BRUSHES				
R111046	92	18 in. Aluminum Back White nylon	12	13
R111316	902	18 in. Aluminum Back White polypropylene	12	12
R111358	907 ¹	18 in. Aluminum Back Blended, stainless & nylon	12	13
R111342	905	24 in. Aluminum Back Blue nylon	12	19
R111366	912	18 in. Molded Back White polypropylene	12	10
R111386	912VL	18 in. Molded Back White nylon, end caps for vinyl liner pools	12	10
R500013	420	18 in. Molded Back White polypropylene	12	9
ALGAE BRUSH – (NOT FOR VINYL LINER POOLS)				
R500012	410	6 in. Molded Back, Stainless Steel for Plaster, Concrete, Gunite	12	7
R111616	604A	6 in. Aluminum Back, Stainless Steel for plaster, Concrete, Gunite	12	6
R111626	709	9 in., Aluminum Back Stainless Steel for plaster, Concrete, Gunite	12	9
R111646	718	18 in., Aluminum Back Stainless Steel for plaster, Concrete, Gunite	12	15
ACID-WASH/TILE/DECK BRUSHES				
R111584		10 in. Blue & white crimped bristles	25	21
SCRUBBERS				
R111556	650	Multi-purpose scrub brush w/ 3 pads	12	6
R111560	651	Universal swivel handle, 4-5/8 in. x 10 in. w/ removable pad	12	6

¹ Not for use on vinyl liner pools.

Note: All items with snap-adapt handle include a high performance Acetal Resin Spring and will snap into all standard poles or can be bolted on, if preferred, simply by removing the Acetal Resin Spring.

FLOATS, FLOAT ROPE, AND SAFETY HOOK



Float Keepers

CALIFORNIA PROPOSITION 65 WARNING
 ⚠️ **WARNING:** Cancer and Reproductive Harm.
 ⚠️ **AVERTISSEMENT:** Peut Causer le Cancer et des Dommages au Système Reproducteur.
 ⚠️ **ADVERTENCIA:** Cáncer y Daño Reproductivo.
www.p65warnings.ca.gov 09/2017A

Featured Highlights

Floats & Safety Equipment

- Unsinkable, durable, polyethylene floats are available in a variety of sizes

Safety Float Lines

- Include 3/8 in. poly rope, 3 in. x 5 in. floats, solid chrome brass rope hook, 1 fid and locking device

Floats, Float Rope, and Safety Hook

Ordering Information

Product	Model	Description	Carton Qty.	Carton Wt. (Lbs.)
SAFETY POOL HOOK				
R221026	153	Fits any standard straight pole (do not attach to telescopic poles), nut. Mounting Hardware set not included. See item R221030	12	14
R221030	153	Hardware set for Pool Hook	1	
SWIM TEACHER				
R221056	58	Two 7 in. x 7 in. poly floats with 30 in. white PVC bar, packed in bag with header	6	10
FLOATS				
R181026	350	Red and white, 3 in. x 5 in. Oval Float, Fits 1/2 in. Rope	100	12
R181016	350	Blue and white, 3 in. x 5 in. Oval Float, Fits 1/2 in. Rope	100	12
R181046	350	Solid white, 3 in. x 5 in. Oval Float, Fits 1/2 in. Rope	100	12
R181086	590	Blue and white, 5 in. x 9 in. Oval Float, Fits 3/4 in. Rope	24	11
R181096	590	Red and white, 5 in. x 9 in. Oval Float, Fits 3/4 in. Rope	24	11
R181156	770	Solid white, 7 in. x 7 in. Round Float, Fits 3/4 in. Rope	20	10
FLOAT KEEPERS & ROPE HOOKS				
R181436	71	Secures No. 590 to 3/4 in. rope, two pieces and two screws, one set holds one float in place	1	
R181446	71	Set of two, bubble pack	12	1
R181486	74	Secures No. 590 to 3/4 in. rope, four pieces and two screws, one set holds one float in place	1	
R06017	355	Replacement chrome brass rope hook	1	
R181416	355	Replacement chrome brass rope hook, bubble pack	12	2
SAFETY FLOAT LINES				
R181206	3520	20 ft. Pool Dimension, 9 floats	6	15
R181216	3518	18 ft. Pool Dimension, 7 floats	6	14
R181226	3516	16 ft. Pool Dimension, 5 floats	6	12
R181200	3525	25 ft. Pool Dimension, 9 floats (Available Built to Order Only)	1	3
R181268	3524	24 ft. Pool Dimension, 9 floats (Available Built to Order Only)	1	3
R181269	3530	30 ft. Pool Dimension, 9 floats (Available Built to Order Only)	1	2

FLOATING CHEMICAL DISPENSERS

Featured Highlights

For use with Bromine or slow dissolving Trichlor tablets

330 Floating Chemical Dispenser

- Linear polyethylene construction and foam filled for added buoyancy. Has twist lock cap and adjustable control ring. Holds six 3 in. or 3 lbs. of 1 in. tablets.

335 Chlorine/Bromine Floating Dispenser

- For spas and small swimming pools. Linear polyethylene and foam filled. Rate of chemical dispensing is controlled by dial device. Holds 1 in. tablets only.

332 Splasher Pool/Spa Floating Dispenser

- For aboveground, splasher or small pools and spas. Can be used under spa or pool covers. Linear polyethylene and foam filled. Molded dispensing windows and positive control device. Holds approx. 11 oz. of 1 in. tablets.

Floating Accessory Leash

- Prevents floating items from hanging up or drifting away. Has 36 in. cord and molded anchor plate with pressure sensitive pad that adheres to most surfaces.



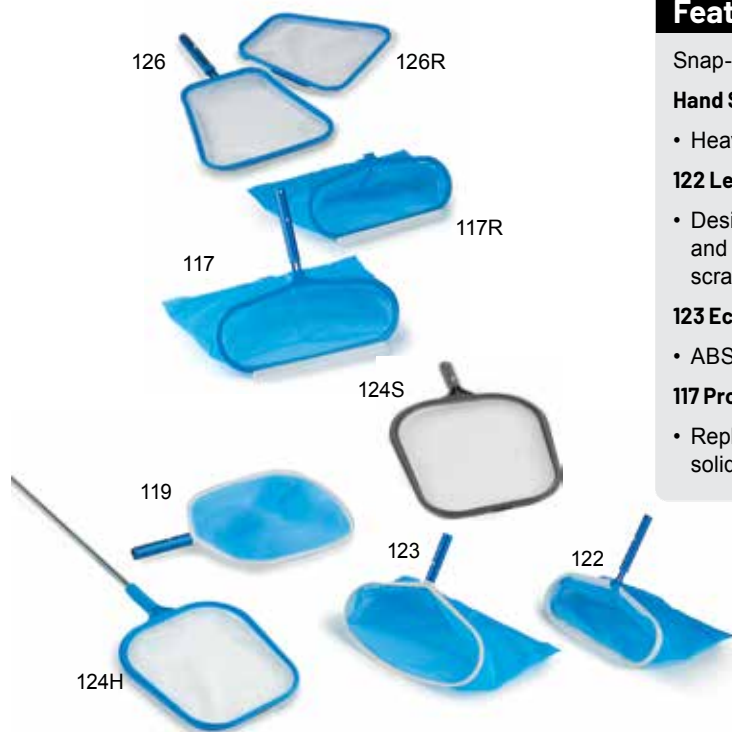
Floating Chemical Dispensers

CALIFORNIA PROPOSITION 65 WARNING
 ⚠️ **WARNING:** Cancer and Reproductive Harm.
 ⚠️ **AVERTISSEMENT:** Peut Causer le Cancer et des Dommages au Système Reproducteur.
 ⚠️ **ADVERTENCIA:** Cáncer y Daño Reproductivo.
www.p65warnings.ca.gov PA120751A

Ordering Information

Product	Description	Carton Qty.	Carton Wt. (Lbs.)
330 FLOATING CHEMICAL DISPENSER			
R171060	Floating Chemical Dispenser with screen installed between adjustment ring and body	12	13
R171086	Blue and white Floating Chemical Dispenser	12	13
332 SPLASHER POOL/SPA FLOATING DISPENSER			
R171130	Splasher Pool/Spa Dispenser	12	9
335 CHLORINE/BROMINE FLOATING DISPENSER			
R171074	Blue and white	12	8
R171090	Beige and white	12	8
R18855	Optional protective screen	1	
ACCESSORIES			
R221270	Floating Accessory Leash	1	

HAND SKIMMERS AND LEAF RAKES



Hand Skimmers and Leaf Rakes

Featured Highlights

Snap-adapt handles allow for use with most poles

Hand Skimmers

- Heavy-duty reversible nets stand up to tough wear

122 Leaf Rake

- Designed to easily remove leaves and debris. Screen and frame completely covered with squeegee for scraping fine, loose debris on pool bottom

123 Econo Leaf Rake

- ABS molded frame with aluminum reinforcement

117 Pro Leaf Rake

- Replaceable snap-on frame and net fits on 3/8 in. solid anodized aluminum rod

CALIFORNIA PROPOSITION 65 WARNING
 ⚠️ **WARNING:** Cancer and Reproductive Harm.
 ⚠️ **AVERTISSEMENT:** Peut Causer le Cancer et des Dommages au Système Reproducteur.
 ⚠️ **ADVERTENCIA:** Cáncer y Daño Reproductivo.
www.p65warnings.ca.gov P65B071A

Ordering Information

Product	Model	Description	Carton Qty.	Carton Wt. (Lbs.)
HAND SKIMMERS				
R121026	119	Molded Frame Skimmer reinforced with aluminum and aluminum handle	12	8
R121166	124S	Spa/Aboveground Skimmer, screen molded into frame, with magnet	12	7
R121186	124H	Long Handle Skimmer, molded frame with 1 in. x 4 ft. pole	12	11
R121196	126	Professional Grade Heavy-duty Skimmer, 3/8 in. solid aluminum rod, Deep net molded into ABS snap-on replacement frame	12	13
R121216	126R	No. 126 Professional Grade Replacement frame and net	12	6
LEAF RAKES				
R121106	122	Leaf rake, 3/8 in. aluminum rod with attached handle and heavy-duty fiberglass screen	12	18
R121126	123	Econo leaf rake, ABS molded frame reinforced with aluminum, frame has raised lip for scraping bottom	12	10
R121230	117	Pro leaf rake, replaceable frame and net snaps onto 3/8 in. solid aluminum rod, replaceable squeegee strip	12	18
R121232	117R	Replacement frame, squeegee and netting for No. 117 and No. 122	12	12

LEAF TRAPS / LEAF EATERS

Featured Highlights

Leaf Traps

- Specially designed to be used with automatic suction-side pool cleaners or vacuum heads. Pentair Leaf Traps capture large amounts of leaves, twigs, rocks, hair pins, and other debris before it reaches the skimmer or pump basket. Most models include 3 ft. of flexible vacuum hose.

186 'Snap Open' Leaf Trap

- Features snap open and close lid, clear housing and large handle for ease of carrying. Available in 1-1/2 in. and 2 in. models. Traps debris in polyester bag. 25 sq. ft. cartridge (with special plug) for 100% filtration of fine dust, silt or small debris is also available.

360476 2.2 L Leaf Trap

- Fast and easy debris removal. Quick snap canister is a cinch to empty and clean. One male and one female hose attachment, no need for adapters.

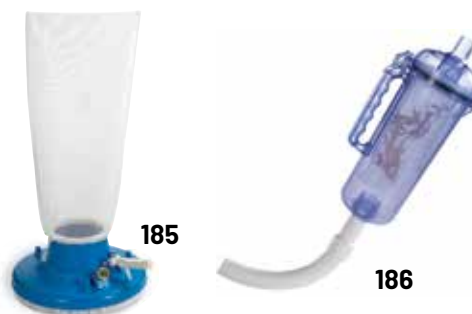
185 Leaf Eater® Cleaner

- Venturi action top skimmer or bottom cleaner. Works with a garden hose and standard telepole or automatic pool cleaner hose. Collector bag slips on and off easily. Comes with brushes for vinyl liner pools and wheels for ease of turning on hard bottomed pools.



R172653 186A/B
Snap Open Leaf Traps

360476



185

186

Ordering Information

Product	Model	Description	Carton Qty.	Carton Wt. (Lbs.)
LEAF TRAPS				
R211084	186A	5.0 Liter Capacity, 1-1/2 in., bag, 3 ft. 1-1/2 in. hose	6	33
R211086	186B	5.0 Liter Capacity, 2 in., bag, 3 ft. hose	1	7
R211087	186B	5.0 Liter Capacity, 2 in., bag, no hose	1	5
R211256		Replacement hose	1	
R172653	186	25 sq. ft. cartridge w/ plug	1	
R211516		Standard mesh bag No. 186, No. 179C	1	
R211518		Sand/silt bag No. 186, No. 179C	1	
360476		2.2 Liter Capacity, 1-1/2 in., no hose	1	2
LEAF EATERS				
R211036	185	Wheels and brushes, mesh bag, display box	3	12
R211046	185B	Wheels and brushes, mesh bag, bulk, no display	6	17
R211286	185	No. 185-03 Sand/silt bag		
R211406	185	No. 185-15 Replacement brushes, bubble pack	1	
R211426	185	No. 185 Replacement bag, mesh	1	
R211436	185	No. 185 Wheels assembly, 3 per bubble pack	1	
HIGH CAPACITY LEAF EATER BAGS WITH EASY SLIDE ON/OFF CLOSURE				
R211432		Bag, 3 ft. long	1	

CALIFORNIA PROPOSITION 65 WARNING

⚠️ **WARNING:** Cancer and Reproductive Harm.
 ⚠️ **AVERTISSEMENT:** Peut Causer le Cancer et des Dommages au Système Reproducteur.
 ⚠️ **ADVERTENCIA:** Cáncer y Daño Reproductivo.

www.p65warnings.ca.gov. PA22071A

See page 488 for replacement parts.

REPLACEMENT BASKETS



Featured Highlights

Replacement Baskets for Skimmers and Pumps

- These quality replacements are injection molded of materials required for optimum performance
- Designed to fit the most popular skimmer wells and pump pots

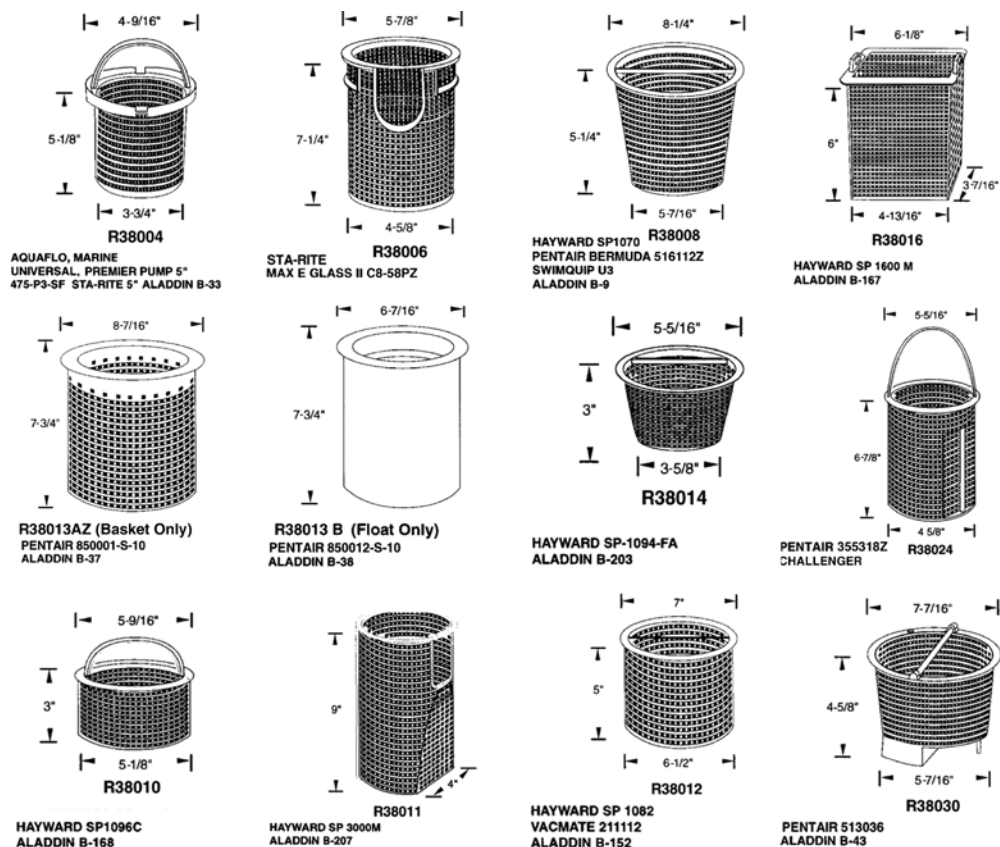
CALIFORNIA PROPOSITION 65 WARNING

⚠ **WARNING:** Cancer and Reproductive Harm.
 ⚠ **AVERTISSEMENT:** Peut Causer le Cancer et des Dommages au Système Reproducteur.
 ⚠ **ADVERTENCIA:** Cáncer y Daño Reproductivo.
www.p65warnings.ca.gov

Ordering Information

Product	Description	Carton Qty.
REPLACEMENT SKIMMER AND PUMP BASKETS		
R38004	AquaFlo, Marine, Universal, Premier Pump 5 in., 475-P3-SF, Sta-Rite 5 in., Aladdin B-33	1
R38006	Sta-Rite Max-E-Glas II C8-58PZ	1
R38008	Hayward® SP 1070, Pentair Bermuda 516112Z, Swimquip U3, Jacuzzi® 4138, Aladdin B-9	1
R38010	Hayward SP-1096C, Aladdin B-168	1
R38011	Hayward SP-3000M, Aladdin B-207	1
R38012	Hayward SP-1082, VacMate 211112, Aladdin B-152	1
R38013AZ	(Basket Only) Pentair 850001-S-10, Aladdin B-37	1
R38013B	(Float Only) Pentair 850012-S-10, Aladdin B-38	1
R38014	Hayward SP-1094-FA, Aladdin B-203	1
R38016	Hayward SP-1600M, Aladdin B-167	1
R38024	Pentair 355318Z Challenger	1
R38030	Pentair 513036, Aladdin B-43	1

Hayward® is a registered trademark of Hayward Industries, Inc. and Jacuzzi® is a registered trademark of Jacuzzi, Inc.



MAINTENANCE KITS

Featured Highlights

Maintenance Kits

- Pentair has a variety of standard kits with the most popular combinations requested by our customers. Each kit is packaged in an attractive box with a handle.



CALIFORNIA PROPOSITION 65 WARNING
 ⚠️ **WARNING:** Cancer and Reproductive Harm.
 ⚠️ **AVERTISSEMENT:** Peut Causer le Cancer et des Dommages au Système Reproducteur.
 ⚠️ **ADVERTENCIA:** Cáncer y Daño Reproductivo.
www.p65warnings.ca.gov PH 201714

Ordering Information

Product	VL/Gunite	Brush	Vacuum	Thermometer	Test Kit	Leaf Net/Leaf Rake	Pole/Hose Hanger	Discharge Hose	Qty.
SWIMMING POOL MAINTENANCE KITS									
R131016 ¹		912		125	752	119	145		3
R131020 ¹		912		125	754 For Canada	119	145		3
R131021 ²	VL	912VL	191LW	125	752	124S			1
R131037 ¹		902B		127	3-Way Strips	119	145		3
R131046 ¹		902		130	78HR	126	145		3
R131048 ¹	VL	912	194	127		119			3
R131066 ¹	VL	902	194	127	752	126			3
R131074 ¹	VL	912	193	127	752	124S			3
R131075 ¹	VL	912	196	127	752	124S			3
R131076 ¹	VL	912VL	193	127	752	124S			3
R131078 ¹	VL	912VL	196	127	752	124S			3
R131079 ¹	VL	912VL	194		752	119			3
R131106 ¹		902		127	754 For Canada	126	145/165		3
R131146 ¹		912		127	78HR	124S			3
R131147 ¹		902		130	78HR	119			3
R131148A ²		902		133	78HR	119			1
R131155 ¹	Gunite	902	203	133	78HR	123	145		3
R131204 ²		902		136	78DPD	124S	145		1
R131256A ²		903 Alt. ⁴		133	752	119			1
R131316 ²	VL	902	194	136	752	124S		1.5 in. x 50 ft.	1
R131360 ²	Gunite	902	188	127	78HR	119			1
R131371 ²	Gunite	902	203	127 and 133		126			1
R131388 ¹	Gunite	902	201		78HR	119			3
R131398 ²	VL	902	196	127		119			1
R131404 ¹	Gunite	902	203		78HR	124S			3
R131410 ³	Gunite	902	203	125	Test Strips	119	145		1
R131418 ¹	Gunite	912	203	136		119			3
R131442 ³	VL	902	196	127	752	123		1.5 in. x 50 ft.	1
R131448 ¹	Gunite	903 Alt. ⁴	203	Yes - Jumbo	5-Way Strips	124S			3

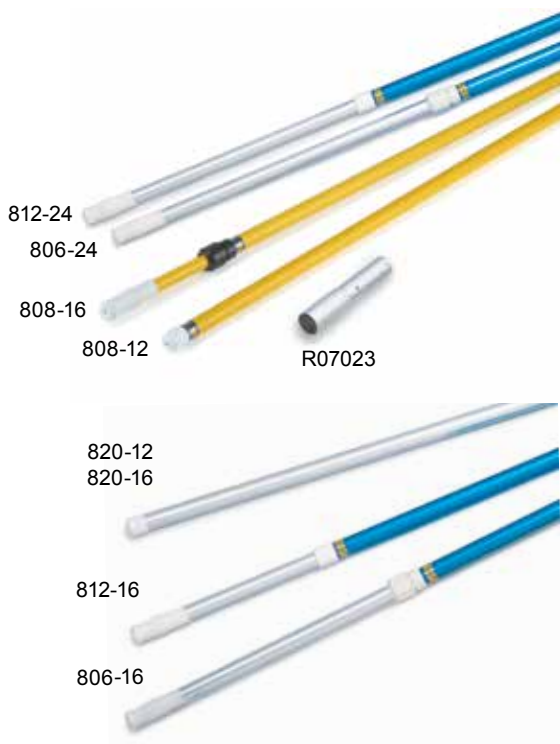
¹ Pentair kraft box style.

² Corrugated box style.

³ Corrugated white box style.

⁴ Brush model 903 has been replaced with an alternate direct replacement.

POLES



Featured Highlights

- **Telescopic Poles** are constructed of high quality drawn aluminum tubing. The 1-1/8 in. OD inside tube is clear anodized and the 1-1/4 in. OD outer tube is bright blue anodized. Each has a bicycle type vinyl hand grip and packed in a protective poly sleeve.
- **Fiberglass Poles** with E-Z Lock compression lock are manufactured to withstand abuse. Required for service pros in areas where protection from electrical shock is mandatory. UV protective coating helps prevent splintering with age.

CALIFORNIA PROPOSITION 65 WARNING

⚠ **WARNING:** Cancer and Reproductive Harm.
 ⚠ **AVERTISSEMENT:** Peut Causer le Cancer et des Dommages au Système Reproducteur.
 ⚠ **ADVERTENCIA:** Cáncer y Daño Reproductivo.
www.p65warnings.ca.gov

Ordering Information

Product	Model	Description	Carton Qty.	Carton Wt. (Lbs.)
POLES				
R191106	820-12	1 piece Straight clear anodized pole -12 ft. w/ pole cap	12	28
R191116	820-16	1 piece Straight clear anodized pole -16 ft. w/ pole cap	12	37
R500070	406-16	2 piece telescopic "ribbed" pole - E-Z lock Cam - 8 ft.-16 ft.	12	28
R500072	406-12	2 piece telescopic "ribbed" pole - E-Z lock Cam - 6 ft.-12 ft.	12	22
R191306	806-16	2 piece telescopic pole - E-Z lock Cam - 8 ft. to 15-1/2 ft., blue	12	35
R191046	812-16	2 piece telescopic pole - Metal Cam - 8 ft. to 15-1/2 ft.	12	36
R191066	812-8	2 piece telescopic pole - Metal Cam - 4 ft. to 7-1/2 ft.	12	21
R191088	806-24	Commercial Aluminum Pole - 12 ft. to 23-1/2 ft. E-Z Lock	12	52
R191090	812-24	Commercial Aluminum Pole - 12 ft. to 23-1/2 ft. Metal cam	12	52
R191091	808-12	Commercial Fiberglass Pole - 6 ft. to 12 ft.	6	20
R191092	808-16	Commercial Fiberglass Pole - 8 ft. to 16 ft.	6	25
R191095	818-12	Commercial Fiberglass Pole - Straight 12 ft. w/ pole cap	6	21
R191101	808-22	Commercial Fiberglass Pole - 11-1/2 ft. to 22 ft.	6	32
R191104	818-16	Commercial Fiberglass Pole - Straight 16 ft. w/ pole cap	3	38
R191380		3 piece telescopic pole - E-Z Lock device - 12 ft.-36 ft., aluminum	6	35

POLE ACCESSORIES

Featured Highlights

- **Algae-Gon Chlorine Tablet Holder** securely holds a standard tablet at the end of any pole to deliver direct surface application of chlorine to reduce dark algae and other surface stains. Snap-adapt handle attaches to most poles.

CALIFORNIA PROPOSITION 65 WARNING

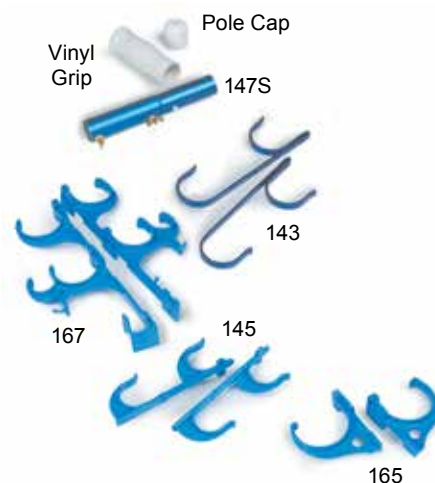
⚠ **WARNING:** Cancer and Reproductive Harm.
 ⚠ **AVERTISSEMENT:** Peut Causer le Cancer et des Dommages au Système Reproducteur.
 ⚠ **ADVERTENCIA:** Cáncer y Daño Reproductivo.
www.p65warnings.ca.gov



Algae-Gon Tablet Holder



Cams



Pole Accessories

Ordering Information

Product	Model	Description	Carton Qty.	Carton Wt. (Lbs.)
POLE ACCESSORIES				
R07023		Replacement tip tool adapter for fiberglass poles	1	
R22006	1125	Pole cap 1-1/8 in. poles	1	
R22007	900	Pole cap 1-1/4 in. poles	1	
R22025		White vinyl hand grip, 1 in.	1	
R22054		White vinyl hand grip, 1-1/8 in.	1	
R221036	145	Pole hangers, ABS with screws, 1 set per bubble pack card	24	5
R221042	143	Metal pole hangers, screws included, 1 set per bubble pack card	24	7
R221046	165	Hose hangers, ABS with screws 1 set per bubble pack card	24	8
R221054	167	Hose, pole, accessory hangers, large multi-purpose hangers hold vac hose, telepole, test kit, skimmer, brushes, etc., 1 set with screws per bubble pack card	12	12
542068		Algae-Gon chlorine tablet holder, snap-adapt handle attaches to telescopic pole	100	
R221126	147	Pool pole adapters, 3 pieces per set with 6 brass, 1/4 in. x 1-3/4 in. bolts and wing nuts, bubble pack	24	15
R221136	147S	Pool pole adapter, one piece with 2 sets of brass wing nuts and bolts, bubble pack	24	6
R221156	155	Brass bolt and wing nut	1	
R221166	155	Brass bolt and wing nut, 6 sets per bubble pack	12	
R191206	801	White ABS, assembled, 1-1/4 in. brass screw, cam fits most 1-1/8 in. OD drawn and welded tubing, sleeve fits 1-1/4 in. OD	1	
R191216	801	No. 801 Cam, bubble pack	12	
R191256	803	Metal cam die cast aluminum with white ABS sleeve, unassembled with 1/4-28 x 1 in. SS hex bolt, cam fits 1-1/8 in. OD drawn tubes, sleeve fits 1-1/4 in. OD, bubble pack	12	
R191296	806	E-Z Lock cam for aluminum poles, unassembled complete with glue and instructions, bubble pack	12	
R191302	807	E-Z Lock cam for fiberglass poles, unassembled complete with glue and instructions, bubble pack	12	

POOL & SPA SIGNS



Featured Highlights

Pool & Spa Signs

- Commercial quality pool and spa signs are constructed of weather-resistant, high impact plastic and finished with brass grommets for easy, secure hanging.

CALIFORNIA PROPOSITION 65 WARNING

⚠️ **WARNING:** Cancer and Reproductive Harm.
 ⚠️ **AVERTISSEMENT:** Peut Causer le Cancer et des Dommages au Système Reproducteur.
 ⚠️ **ADVERTENCIA:** Cáncer y Daño Reproductivo.
www.p65warnings.ca.gov

Ordering Information

Product	Description	Size	Ctn Qty.
POOL & SPA SIGNS			
R230200	Pool Rules (Calif.)	18 in. x 24 in.	6
R230300	Spa Rules	18 in. x 24 in.	6
R230400	Pool Rules	18 in. x 24 in.	6
R230500	No Lifeguard On Duty. (4 in. letters)	24 in. x 18 in.	6
R235100	No Lifeguard On Duty. (4 in. letters - Texas)	24 in. x 24 in.	6
200186	No Lifeguard On Duty. (4 in. letters - Georgia)	24 in. x 36 in.	6
R230800	Public Pool Use Notice	18 in. x 24 in.	6
R230900	Pool Capacity	18 in. x 12 in.	6
R231100	C.P.R.	24 in. x 18 in.	6
R231200	No Diving Allowed	18 in. x 12 in.	6
R231400	Pool Closed	12 in. x 6 in.	6
R231700	Emergency Phone No. 911	12 in. x 6 in.	6
R232600	No Glassware In Pool Area	9 in. x 12 in.	6
R233800	No Diving (South Carolina)	24 in. x 24 in.	6
R233900	Caution Spa Rules (South Carolina)	24 in. x 36 in.	6
R234000	Pool Rules (South Carolina)	24 in. x 36 in.	6
R234100	Pool Rules (North Carolina)	24 in. x 36 in.	6
R234200	SPA Rules (North Carolina)	24 in. x 36 in.	6
R234500	Water Conditions (Virginia)	12 in. x 9 in.	6
R234700	Danger Pool Closed	18 in. x 12 in.	6
R234800	Pool Rules (Florida)	24 in. x 42 in.	6
R234900	Spa Rules (Florida)	18 in. x 24 in.	6
R235200	Pool Risks (Georgia)	24 in. x 29.5 in.	6
R235300	No Lifeguard (South Carolina) 6 in. x 4 in. letters	36 in. x 24 in.	6
SPANISH POOL & SPA SIGNS			
R233700	(Reglamentos) Pool Rules	18 in. x 24 in.	6

Note: Sign images on the following two pages.

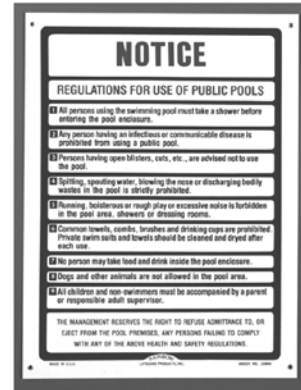
POOL & SPA SIGNS (CONT'D)



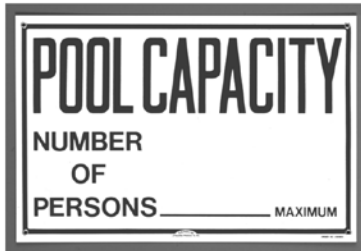
R230500 No Lifeguard On Duty
24 in. x 18 in.



R235100 No Lifeguard On Duty,
(Texas) 24 in. x 24 in.
(4 in. letters)



R230800 Public Pool
Use Notice 18 in. x 24 in.



R230900 Pool Capacity
18 in. x 12 in.



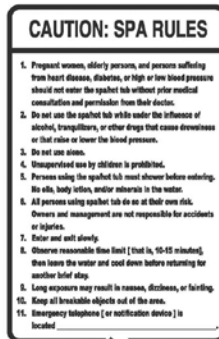
R231100 "C.P.R."
24 in. x 18 in.



R231200 No Diving
Allowed, 18 in. x 12 in.



R231700 Emergency
Phone No. 911, 12 in. x 6 in.



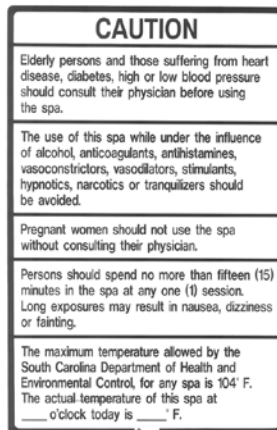
R234200 Caution Spa Rules
(N. Carolina) 24 in. x 36 in.



R232600 No Glassware
In Pool Area, 9 in. x 12 in.



R231400 Pool Closed
12 in. x 6 in.



R233900 Caution Spa Users
(S. Carolina), 24 in. x 36 in.



R233800 No Diving
(S. Carolina) 24 in. x 24 in.



R234000 Pool Rules
(S. Carolina), 24 in. x 36 in.

POOL & SPA SIGNS (CONT'D)



R234100 Pool Rules
(N. Carolina), 24 in. x 36 in.



R230200 Pool Rules
(Calif.) 18 in. x 24 in.



R230300 Spa Rules
18 in. x 24 in.



R234700 Danger
Pool Closed 18 in. x 12 in.



R235200 Pool Risks
Georgia, 24 in. x 29.5 in.



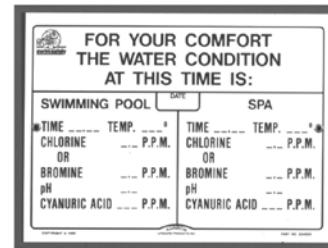
R234900 Spa Rules
(Florida), 18 in. x 25 in.



R234800 Pool Rules
(Florida), 24 in. x 50 in.



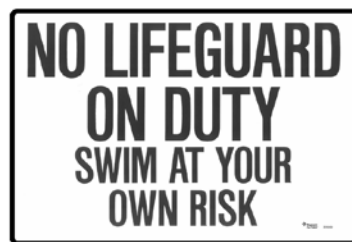
R230400 Pool Rules
18 in. x 24 in.



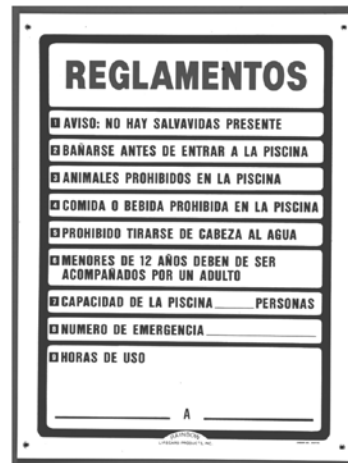
R234500 Water Conditions
(Virginia), 12 in. x 9 in.



200186 No Lifeguard On Duty
(Georgia), 24 in. x 36 in.
(4 in. letters)



R235300 No Lifeguard
(S. Carolina), 36 in. x 24 in.
(6 in. x 4 in. letters)



R233700 Reglamentos
(Pool Rules), 18 in. x 24 in.

TEST KITS

DPD, BROMINE, PH & CHLORINE TEST KITS

Featured Highlights

Pentair testing kits and chemicals are manufactured under strict quality control standards. To guarantee reliability, test reagents should be replaced annually. Replacement and bulk reagents are available in a variety of sizes and packaging.

CALIFORNIA PROPOSITION 65 WARNING
 ⚠️ **WARNING:** Cancer and Reproductive Harm.
 ⚠️ **AVERTISSEMENT:** Peut Causer le Cancer et des Dommages au Système Reproducteur.
 ⚠️ **ADVERTENCIA:** Cáncer y Daño Reproductivo.
www.p65warnings.ca.gov PHS 201214



752DPD/pH



77DPD



752



78HR



756



Bulk Reagents



78DPD



78DPD+

Ordering Information

Product	Model	Description	Carton Qty.	Carton Wt. (Lbs.)
BROMINE TEST KITS				
R151196	756	"2 n 1" Bromine test kit, 1/2 oz. OTO and pH, Br range 0.5–6.5, yellow hinged case, packed 12 kits per counter display	24	10
R151201	756	"2 n 1" Bromine test kit, 1/2 oz. OTO and pH, Br range 0.5–6.5, yellow hinged case, packed 12 kits per counter display, for Canada	24	10
DPD TEST KITS				
R151190	77DPD	4 in 1 Chlorine/Bromine test kit. DPD No. 1 and No. 3 tablets, solutions No. 2, No. 3, No. 4, No. 5, wide Lucite test cell	12	16
R151246	78DPD	"All-in-One" test kit, free, total and combined Cl, pH, acid demand and total Alkalinity, Lucite test cell, 50 each DPD No. 1 and No. 3 tabs, 1 oz. No. 2, No. 3, 1/2 oz. No. 4, No. 5, water test booklet, red display box	12	17
R151248	78DPD+	"All-in-One" plus test kit, for servicemen or homeowners, free, total and combined Cl, Cyanuric Acid, pH, Acid Demand, Alkali Demand and Total Alkalinity, Lucite test cell, 50 each DPD No. 1 and No. 3 tablets, 10 Cyanuric acid tablets, 1 oz. No. 2, No. 3, 1/2 oz. No. 3B, No. 4, No. 5, water test booklet, red display box	12	18
200063	752DPD/PH	Free chlorine and pH analyzer test kit. DPD and pH tablets, 30 tablets each.	12	5
pH & CHLORINE TEST KITS				
R151076	752	"2 n 1" Test Kit 1/2 oz. OTO and Pre-Blended pH, Cl range 0.3–3.0, blue hinged case, packed 12 Kits per counter dispenser	24	10
R151082	752	"2 n 1" Test Kit 1/2 oz. OTO and Pre-Blended pH, Cl range 0.3–3.0, blue hinged case, packed 12 Kits per counter dispenser, for Canada	24	10
R151083	752	"2 n 1" Test Kit 1/2 oz. OTO and Pre-Blended pH, Cl range 0.3–3.0, blue hinged case, packed 12 Kits per counter dispenser, bubble pack, with Spanish instructions	24	10
R151186	78HR	"All-in-One" 4 Way Test Kit, Cl, pH, Acid Demand, Total Alkalinity, Lucite test cell with wide standards, 1 oz. No. 1, No. 2, No. 3, 1/2 oz. No. 4, No. 5, water test booklet, blue display box	12	16

Note: Products containing OTO not available in the State of California.

Note: Air shipment of OTO solution and kits containing OTO solution is prohibited.

TEST REAGENTS

CALIFORNIA PROPOSITION 65 WARNING
 ⚠️ WARNING: Cancer and Reproductive Harm.
 ⚠️ AVERTISSEMENT: Peut Causer le Cancer et des Dommages au Système Reproducteur.
 ⚠️ ADVERTENCIA: Cáncer y Daño Reproductivo.
www.p65warnings.ca.gov PH 202114

Ordering Information

Product	Description	Carton Qty.	Carton Wt. (Lbs.)
CYANURIC ACID REAGENT			
R161596	Cyanuric Acid Reagent, 8 ounce	24	15
R161606	Cyanuric Acid Reagent, 16 ounce	12	15
R161616	Cyanuric Acid Reagent, 32 ounce	12	28
R161626	Cyanuric Acid Reagent, 1 gallon	4	36
DPD TABLETS			
R161576	DPD No. 1 tablets, rapid dissolve	1000	1
R161586	DPD No. 3 tablets, rapid dissolve	1000	1
R161590	Phenol red tablets, rapid dissolve	1000	1
R161591	Cyanuric acid tablets	1000	1
R161676	Cyanuric acid tablets, 20 per bubble pack	12	2
R161593	DPD No. 1 tablets, 50 per bubble pack	12	2
R161599	DPD No. 3 tablets, 50 per bubble pack	12	2
R161594	Phenol red tablets, 50 per bubble pack	12	2
OTO AND pH SOLUTIONS (BUBBLE PACK)			
R161150	1/2 ounce	24	4
R161160	1 ounce	24	6
R161216	Refill No. 78, test kit, bubble pack	24	11
R161666	Refill No. 78 DPD, test kit, bubble pack	24	13
SOLUTIONS			
R161004	OTO Solution No. 1, 1/2 ounce, used in No. 782, No. 783 ¹	48	3
R161025	OTO Solution No. 1, 1 ounce ¹	48	6
R161046	OTO Solution No. 1, 8 ounce ¹	24	16
R161056	OTO Solution No. 1, 16 ounce ¹	12	15
R161018	pH Solution Phenol Red with Chlorine Neutralizer, 1/2 ounce, used in No. 761, No. 782, No. 783	48	3
R161094	pH Solution Phenol Red with Chlorine Neutralizer, 1 ounce	48	6
R161116	pH Solution Phenol Red with Chlorine Neutralizer, 8 ounce	24	15
R161126	pH Solution Phenol Red with Chlorine Neutralizer, 16 ounce	12	15
R161178	No. 2 (pH Test), 1 ounce ²	48	6
R161180	No. 2 (pH Test), 1 ounce, used in No. 78 and No. 7000 Series, PRO 11, display box ²	24	3
R161286	No. 2 (pH Test), 8 ounce ²	24	16
R161182	No. 3 (Acid Demand, Total Alkalinity), 1 ounce, used in No. 78 and No. 7000 Series, No. 1300, PRO 11, 12 pack display box ³	24	31
R161185	No. 3 (Acid Demand, Total Alkalinity), 1 ounce, used in No. 78 and No. 7000 Series, No. 1300, PRO 11 ³	48	6
R161302	No. 3 (Acid Demand, Total Alkalinity), 1/2 ounce, used in No. 761, No. 782, No. 783 ³	48	3
R161200	No. 3B (Alkali Base Demand), 1/2 ounce, used in No. 78+, No. 7600, No. 7700DPD	48	3
R161202	No. 3B (Alkali Base Demand), 1 ounce, used in No. 78DPD+, PRO 11	48	6
R161204	No. 4 (Chlorine Neutralizer), 1/2 ounce, used in No. 78+, No. 7000 Series, No. 1300, PRO 11, No. 761, No. 782, No. 783 ⁵	48	3
R161203	No. 5 (Total Alkalinity Test), 1/2 ounce, used in No. 78+, No. 7000 Series, No. 1300, PRO 11, No. 761, No. 782, No. 783 ⁴	48	3
R161634	No. 6 (Water Hardness Test), 1/2 ounce. Used in No. 761, No. 782, No. 783, No. 1200, PRO II	48	3
R161642	No. 7 (Water Hardness), 1/2 ounce. Used in No. 761, No. 782, No. 783	48	3
R161644	No. 7 (Water Hardness), 1 ounce. Used in No. 1200, PRO II	48	6

¹ Replaces Solution "A"

³ Replaces Solution "C"

⁵ Replaces Solution "1"

⁶ "pH Solution" or "Phenol Red" formulated by Pentair contains chlorine

² Replaces Solution "B"

⁴ Replaces Solution "D"

⁵ Replaces Solution "4"

Note: Products containing OTO not available in the State of California.

Note: Air shipment of OTO solution and kits containing OTO solution is prohibited.

WATER HARDNESS/SPECIALTY TEST KITS

Featured Highlights

Professionals Pro 11 Test Lab

- Complete 11 test lab designed for service professionals. Free, Total and Combined Cl, Br, Iodine, pH, Acid Demand, Total Alkalinity, Water Hardness and Cyanuric Acid. Handy red tote box contains complete instructions, solutions and tests. Pro-Design Test Cell features Cl range to 10ppm and meets recommended industry standards.



PRO11

CALIFORNIA PROPOSITION 65 WARNING
 ⚠️ **WARNING:** Cancer and Reproductive Harm.
 ⚠️ **AVERTISSEMENT:** Peut Causer le Cancer et des Dommages au Système Reproducteur.
 ⚠️ **ADVERTENCIA:** Cáncer y Daño Reproductivo.
www.p65warnings.ca.gov PK220744

Ordering Information

Product	Model	Description	Carton Qty.	Carton Wt. (Lbs.)
CYANURIC ACID TEST KITS				
R151226	79	Determine parts per million of Cyanuric Acid, test vial designed for positive readout, 8 oz. reagent, instructions in Styrene box with clear top	6	8
PRO 11 MINI LAB				
R151716	PRO 11	Professional Test Lab	6	13
TOTAL ALKALINITY TEST KITS				
R151306	1300	Indicates ppm of alkalinity, test vial, 1 oz. No. 3, 1/2 oz. No. 4, No. 5, blue compact box with instructions	24	12
WATER HARDNESS TEST KITS				
R151276	1200	Total Water Hardness Test Kit, total Hardness in ppm or grains, test vial, 1/2 oz. No. 6, 1 oz. No. 7 and instructions, compact box	24	11



79

Water Hardness/Specialty Test Kits

RAPID TEST STRIPS AND DIGITAL SALT TESTER



QuickTest™ Salt Tracer Kit

Featured Highlights

- **Rapid Test Strips** - Dip...swirl...and read instantly. No waiting.
- **3-Way Strip Tests for Free Chlorine or Bromine, pH, and Alkalinity**
50 Rapid Tests per bottle
- **5-Way Strip Tests for Free Chlorine or Bromine, Total Chlorine, pH, Alkalinity and Total Hardness**
50 Rapid Tests per bottle
- **Salt Strips (Sodium Chloride)**
10 Tests per bottle - Range 1500–5000 ppm

CALIFORNIA PROPOSITION 65 WARNING

⚠ **WARNING:** Cancer and Reproductive Harm.
 ⚠ **AVERTISSEMENT:** Peut Causer le Cancer et des Dommages au Système Reproducteur.
 ⚠ **ADVERTENCIA:** Cáncer y Daño Reproductivo.
www.p65warnings.ca.gov

Ordering Information

Product	Description	Carton Qty.	Carton Wt. (Lbs.)
RAPID TEST STRIPS			
R161566	3 Way, French, Spanish, English, with display box	12	2
R161568	5 Way, French, Spanish, English, Blister Card with display box	12	3
200060	Salt Strips (Sodium Chloride), English, Spanish, Blister Card with display box	12	2
DIGITAL SALT TRACER			
200064	QuickTest Salt Tracer Kit, includes handheld meter, 50 phosphate test strips, water sample cup, 2 vials of conductivity standard test solutions, carrying case	1	3
200065	Replacement Phosphate Test Strips, Clamshell – 50 strips/pack WHT	6	2
200066	Replacement QuickTest Calibration Solution	12	1.5



Rapid Test Strips

THERMOMETERS

Featured Highlights

High-quality pool and spa thermometers help deliver accurate temperature readings for greater enjoyment of recreational water. Pool thermometers also provide crucial information about the performance of pool heating systems.

CALIFORNIA PROPOSITION 65 WARNING
 ⚠️ **WARNING:** Cancer and Reproductive Harm.
 ⚠️ **AVERTISSEMENT:** Peut Causer le Cancer et des Dommages au Système Reproducteur.
 ⚠️ **ADVERTENCIA:** Cáncer y Daño Reproductivo.
www.p65warnings.ca.gov P65-2017-14



Thermometers

Ordering Information

Product	Model	Description	Carton Qty.	Carton Wt. (Lbs.)
THERMOMETERS				
R141036	127	Tube thermometer, ABS case, 3 ft. cord, bubble pack	24	4
R141046	127	Tube thermometer, bulk pack	48	6
R141076	130	Chrome brass thermometer, blown glass tube secured in brass tubing, 3 ft. cord, bubble pack	24	6
R141086	130	Chrome brass thermometer, bulk pack	48	9
R141106	133	Floating thermometer, ABS tube, flotation cap with color label, bubble pack	24	6
R141200	136	E-Z read combo sink or float thermometer ABS with shatterproof magnifying lens, snap-on/off flotation top, 3 ft. leash w/ anchor plate, hanging or standing clam shell pack	24	8
R221270		Floating accessory leash, prevents floating thermometers from hanging up or drifting away, 3 ft. cord and anchor plate with pad to adhere to most surfaces	24	1



Floating Accessory Leash – prevents items such as a floating chlorinators or thermometers from hanging up or drifting away. Three foot cord and anchor plate with pad to adhere to most surfaces.

VINYL LINER POOL VACUUMS



Featured Highlights

191 Economy Vacuum

- Crescent shaped blue ABS with polypropylene bristles. Has snap-adapt handle and fits 1-1/4 in. or 1-1/2 in. vacuum hose.

193 Vinyl Liner Vacuum

- Oval shaped blue ABS with protective vinyl bumper. Ideal for vinyl liner pools or use on new plaster pools. Replaceable brushes, enclosed lead weights and snap-adapt handle. Fits 1-1/4 in. or 1-1/2 in. vacuum hose.

194 Econo Triangular Vacuum

- Sand weighted ABS body with replaceable brushes and snap-adapt handle. Fits 1-1/4 in. or 1-1/2 in. vacuum hose.

196 Clear View Vacuum

- Triangular shaped, weighted "see-thru" design. Features 2 piece 1-1/4 in. 1-1/2 in. vacuum hose swivel connection which allows hose to move freely without twisting. Cleans corners easily with protective vinyl bumper. Snap-adapt handle and replaceable adjustable brushes.

CALIFORNIA PROPOSITION 65 WARNING

⚠ **WARNING:** Cancer and Reproductive Harm.
 ⚠ **AVERTISSEMENT:** Peut Causer le Cancer et des Dommages au Système Reproducteur.
 ⚠ **ADVERTENCIA:** Cáncer y Daño Reproductivo.
www.p65warnings.ca.gov

Ordering Information

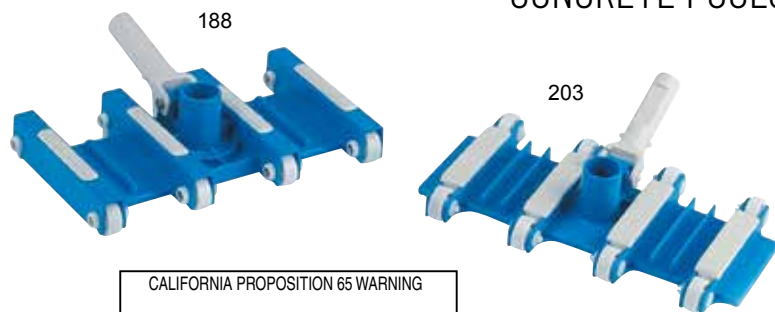
Product	Model	Description	Carton Qty.	Carton Wt. (Lbs.)
VINYL LINER POOL VACUUMS				
R201108	191	Economy vacuum, 191SW with lead weights	12	21
R201350	193	Vinyl liner vacuum, clam shell display pack	6	21
R201392	194	Econo triangular vacuum, clam shell display pack	6	26
R201398	196	Clearview vacuum, clam shell display pack	6	28

Note: All items with snap-adapt handle include a High Performance Acetal Resin spring and will snap into all standard poles or can be bolted on if preferred simply by removing Acetal Resin spring.

See page 489 for replacement parts.

FLEXIBLE POOL VACUUMS

CONCRETE POOLS



Featured Highlights

188 Flexible Pool Vacuum

- Rugged polyethylene housing with enclosed weights. Adjustable solid molded wheels with stainless steel fasteners. Snap-adapt handle.

203 Superflex 14 in. Flexible Pool Vacuum

- Has factory set replaceable molded wheels and fasteners. Includes covered weights and snap-adapt handle with stainless steel wall-hugging spring device.

CALIFORNIA PROPOSITION 65 WARNING
 ⚠ **WARNING:** Cancer and Reproductive Harm.
 ⚠ **AVERTISSEMENT:** Peut Causer le Cancer et des Dommages au Système Reproducteur.
 ⚠ **ADVERTENCIA:** Cáncer y Daño Reproductivo.
www.p65warnings.ca.gov

Ordering Information

Product	Model	Description	Carton Qty.	Carton Wt. (Lbs.)
FLEXIBLE POOL VACUUMS				
R201112	188	12 in. flexible vacuum, clam shell display pack	6	35
R201388	203	Superflex 14 in. flexible vacuum, clam shell display pack	6	25

PROVAC®

FLEXIBLE COMMERCIAL VACUUMS

Featured Highlights

ProVac Residential & Commercial Vacuums

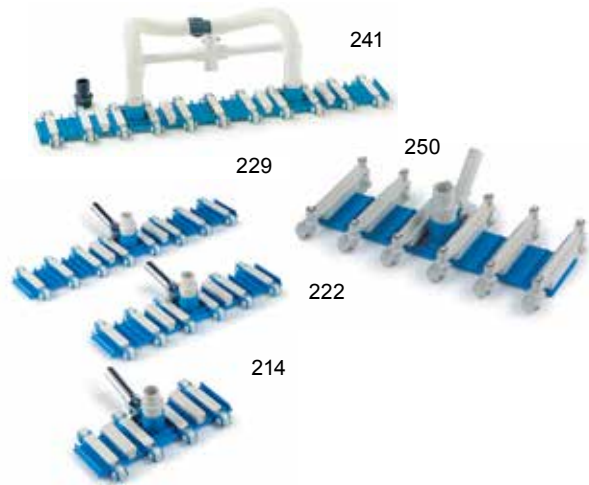
- Suction chamber concentrates vacuum velocity equally
- Full width flex strips guide debris into the suction chamber
- All wheels are adjustable to increase or decrease the vacuum velocity
- Includes 1-1/2 in. vac hose swivel connection

241 Super ProVac Vacuum

- Increased speed in cleaning large commercial pools
- 41 in. wide, dual port vacuum
- 22 ball bearing polyurethane wheels
- Includes adapters for 1-1/2 in. and 2 in. vacuum hose

250 Swivel Wheel 19 in. Commercial Flexible Vacuum

- ABS and polyethylene wheels with 6 lead weights swivel in any direction
- 19 in. body has 1-1/2 in. vacuum swivel adapter which allows hose to move freely without twisting. 2 in. hose fits directly on vacuum.
- Has snap-adapt handle and all component parts are replaceable



Ordering Information

Product	Model	Description	Carton Qty.	Carton Wt. (Lbs.)
241 SUPER PROVAC				
R201298	241	Super ProVac Vacuum, 22 ball bearing polyurethane wheels, suction chamber, strategic weighting and dual manifold with handle joining assembly, includes adapters for 1-1/2 in. and 2 in. vacuum hose, boxed	1	21
250 COMMERCIAL FLEXIBLE VACUUM				
R201126	250	Swivel wheel 19 in., boxed	4	37
PROVAC SERIES RESIDENTIAL & COMMERCIAL VACUUMS				
R201276	214	14 in. Commercial model, metal swivel handle, ball bearing wheels, SS nut and bolt, boxed	6	46
R201286	222	22 in. Commercial model, metal swivel handle, ball bearing wheels, stainless steel shaft, boxed	1	9
R201296	229	29 in. Commercial model, metal swivel handle, ball bearing wheels, stainless steel shaft, boxed	1	11

Note: Refer to price list for vacuum replacement items such as handles, pins, hardware, wheels, axle assemblies, High Performance Acetal Resin clips and brushes.

CALIFORNIA PROPOSITION 65 WARNING

▲ **WARNING:** Cancer and Reproductive Harm.
▲ **AVERTISSEMENT:** Peut Causer le Cancer et des Dommages au Système Reproducteur.
▲ **ADVERTENCIA:** Cáncer y Daño Reproductivo.

www.p65warnings.ca.gov
PR002174

MINI VAC™/VAC-MATE® VACUUM/SKIMMER



204

Mini Vac Display Box

CALIFORNIA PROPOSITION 65 WARNING

⚠ **WARNING:** Cancer and Reproductive Harm.
 ⚠ **AVERTISSEMENT:** Peut Causer le Cancer et des Dommages au Système Reproducteur.
 ⚠ **ADVERTENCIA:** Cáncer y Daño Reproductivo.
www.p65warnings.ca.gov PA200714

Featured Highlights

Mini Vac Vacuum

Cleans spas, above ground pools, ponds, fountains and spot cleans large pools

- Designed for use with a garden hose or 1-1/4 in. or 1-1/2 in. vacuum hose
- Mini Vac Vacuum comes complete with silt bag, hose adapter, shut-off valve for garden hose use and snap-adapt handle for attaching PVC or telescopic poles
- Includes brush attachment for use on vinyl, fiberglass or smooth plaster surfaces and a nozzle attachment with wheel for use on rougher surfaces or spot cleaning large pools

Vac-Mate Vacuum/Skimmer

- A multi-function vacuum/skimmer attachment. The addition of a Vac-Mate Vacuum/Skimmer in most skimmers allows you to control a suction cleaner while maximizing surface skimming, all with one simple setting of the control handle.
- Skims pool surface continuously while cleaner is operating
- Traps debris in Vac-Mate Vacuum/Skimmer basket before it reaches pump pot
- Replaces most control mechanisms supplied with pool cleaners

Ordering Information

Product	Model	Description	Carton Qty.	Carton Wt. (Lbs.)
MINIVAC VACUUM				
R191128	666H	PVC handle, 1-1/4 in. x 6 ft.	12	13
R201146	204	Mini Vac Vacuum, display box.	12	15
R201156	204	Mini Vac Vacuum, bubble pack card	12	16
R201716	204	Silt socks, 3 per bubble pack	12	2
R201718	204	Replacement bags, 2 per bubble pack	12	2
VAC-MATE VACUUM/SKIMMER				
R211100		Fits Pentair products 506300 Series and SwimQuip U3.	6	21



VAC-MATE



R211100

See pages 489 and 493 for replacement parts.

MISCELLANEOUS ACCESSORIES

Featured Highlights

Ladder Bumper

- Inner/outer design with pliable starter plug. Molded of medium density PVC. Fits standard 1.900 O.D. S.S. tubing.
- Protects pool wall from open end of tubular ladders

Silicone Lubricant

- For use on rubber seals, gaskets and o-rings in contact with plastics and metals. Recommended for use on filters, pumps, chlorinators and valves where corrosion occurs.



CALIFORNIA PROPOSITION 65 WARNING
 ⚠️ **WARNING:** Cancer and Reproductive Harm.
 ⚠️ **AVERTISSEMENT:** Peut Causer le Cancer et des Dommages au Système Reproducteur.
 ⚠️ **ADVERTENCIA:** Cáncer y Daño Reproductivo.
www.p65warnings.ca.gov PK220714

Ordering Information

Product	Model	Description	Carton Qty.	Carton Wt. (Lbs.)
DISCHARGE HOSES				
R221218		1-1/2 in. x 50 ft. with stainless steel clamp, display box	1	4
R221220		2 in. x 50 ft. with stainless steel clamp, display box	1	6
R221222		1-1/2 in. x 200 ft., display box	1	18
R221224		2 in. x 200 ft., display box	1	20
R221400		1-1/2 in. x 35 ft., display box	1	3
LADDER BUMPER				
R221298		Ladder Bumper, Bulk pack, fits std 1.900 O.D. S.S. tubing	288	49
R221300		Ladder Bumper, Bubble pack (2 per card), fits std 1.900 O.D. S.S. tubing	1	
SILICONE LUBRICANT				
R172036Z		3/4 ounce	1	
R172351		3/4 ounce, in counter display	30	3
MISCELLANEOUS ACCESSORIES				
R22010Z	850	Winterizing plug, 1-1/2 in. pipe thread, polyurethane	1	
R22011	852	Winterizing plug, 2 in. pipe thread, polyurethane	1	
LEAK DETECTOR				
R220006	151	Device attaches to telepole or 1-1/4 in. pole, includes red dye solution which follows leaks, can also be used to spot treat algae, rust etc., 1/2 oz. leak detector solution, 1/2 oz. bottle, complete instructions, bubble packed	12	6
R220008		Leak detector replacement solution, 3/4 oz.	1	

AQUATRAM® POOL ACCESS LIFTS

ADA-COMPLIANT COMMERCIAL POOL LIFTS



AquaTRAM 90+

AquaTRAM LT-2



AquaTRAM PT-2

AquaTRAM 360

Featured Highlights

- All AquaTRAM lifts comply with ADA Guidelines
- Dual flip-up arm rests provides easier access
- Rechargeable battery-powered operation for easy use
- Comfortable seat with adjustable lap belt
- Simple-to-operate controls provide easy access in and out of pool
- Stainless steel with corrosion-resistant powder coated finish
- Lifting capacities up to 500 pounds
- Color options available

ADA Regulations mandate that most types of commercial swimming pools must have ADA-compliant pool lifts or other approved means of access installed. AquaTRAM pool access lifts aid in a safer and easier swimming pool access for swimmers with physical disabilities. With four versions to choose from, there is an AquaTRAM lift that fits most pools and budget. Standard features include simple to operate controls, rechargeable battery-powered operation and lifting capacities of up to 500 pounds.

Ordering Information

Product	Model	Carton Qty.	Carton Wt. (Lbs.)
AQUATRAM 90+ LIFT			
11420	AquaTRAM 90+ Lift with Quickset Dual Wedge Anchor	1	225
11420-A	AquaTRAM 90+ without Quickset Dual Wedge Anchor	1	220
11421	AquaTram 90+ Lift for Round Anchor Post with Anchor	1	225
11421-A	AquaTRAM 90+ for Round Anchor Post without Anchor	1	215
AQUATRAM LT-2 LIFT AND ANCHOR			
11430	AquaTRAM LT-2 Lift with Anchor Kit	1	170
11430-A	AquaTRAM LT-2 Lift Less Anchor Kit	1	160
AQUATRAM PT-2 LIFT			
11480	AquaTRAM PT-2 Lift with Sand Ballast (sand not included)	1	425
AQUATRAM 360			
11250	AquaTRAM 360 Lift with Anchor	1	365
11250-A	AquaTRAM 360 Lift without Anchor	1	350

Note: Not every lift will work for every application and pool profile. For example, the AquaTRAM and AquaTRAM LT lifts are not designed to clear high curbs or walls. To ensure that you are selecting an appropriate lift for your facility, please refer to our AquaTRAM verification guides or contact customer service for additional applications assistance. AquaTRAM verification guides are available on our website at www.pentair.com.

Note: For best efficiency please email your purchase orders to: paragoncustserv@pentair.com.

For information about AquaTRAM lift accessories, please contact your Pentair Representative.

AquaTRAM products may have extended lead-times and cannot be combined with any Pentair freight programs.

CALIFORNIA PROPOSITION 65 WARNING

▲ **WARNING:** Cancer and Reproductive Harm.
▲ **AVERTISSEMENT:** Peut Causer le Cancer et des Dommages au Système Reproducteur.
▲ **ADVERTENCIA:** Cáncer y Daño Reproductivo.

www.p65warnings.ca.gov
P65-0012-14

AQUATRAM® POOL ACCESS LIFTS

POOL LIFT ACCESSORIES

CHOOSE THE AQUATRAM LIFT THAT RISES TO YOUR NEEDS

Features and Benefits	AquaTRAM 90+	AquaTRAM 360 Lift with in-deck, tool-free anchoring	AquaTRAM LT-2 Lift with lag-bolt anchoring	AquaTRAM PT-2
Lifting capacity	400 lbs.	500 lbs.	350 lbs.	325 lbs.
ADA Compliant	✓	✓	✓	✓
Rotation for tight-area access	90° right or left	360°		90° right or left
Boom arm design adapts to the most demanding and specialized applications; superb reach and wall clearance	✓	✓		
Can serve 2 adjoining pools with 1 lift		✓		
Low-profile design uses minimal deck space	✓		✓	✓
22"-wide seat standard		✓		
Compact and lightweight, fits through most doorways	✓		✓	✓
Secure in-deck anchoring with patented design; tool-free removal; portable with optional Transport Cart	✓	✓		
Secure Docking Bar included to secure in place per ADA requirement				✓
Lag bolt anchoring, quick removal with tools; portable with optional Transport Cart			✓	
Dual flip-up armrests for easier access and aids in safer transfers	✓	✓	✓	✓
Adjustable & removable footrest fits users across a wide range of sizes	✓	✓	✓	✓
Adjustable lap belt with hook & eye fastening	✓	✓	✓	✓
Easy-to-use Slim Line controls can be operated from seat or pool ledge	✓	✓	✓	✓
Stainless steel construction, durable powder-coat finish	✓	✓	✓	✓
Battery-operated; easier to install & smoother transport than water power	✓	✓	✓	✓
Slim, one-piece 24V rechargeable battery	✓	✓	✓	✓
Submersible remote	✓	✓	✓	✓
5-year Limited Warranty (prorated after year 2 on electronics)		✓		✓
Lifetime Limited Warranty on frame		✓		
2-year Limited Warranty	✓		✓	
Solar Upgrade Option Available	✓		✓	
Plastics Color: ■ Blue (standard) ■ Tan ■ Gray ■ White	✓	✓	✓	✓
Powder Coat Color: ■ White (standard) ■ Tan ■ Gray	✓	✓	✓	✓

AQUATRAM® POOL ACCESS LIFTS

POOL LIFT ACCESSORIES (CONT'D)

AQUATRAM 90+ LIFT

Pentair P/N	Description
11420	AquaTRAM 90+ Lift w/ Quickset Dual Wedge Anchor
11420-A	AquaTram 90+ Lift w/o Quickset Dual Wedge Anchor
11421	AquaTRAM 90+ Lift for Round Anchor Post w/Anchor
11421-A	AquaTRAM 90+ Lift for Round Anchor w/o Anchor
11222	AquaTRAM 90+ Lift Cover
11343	AquaTRAM 90+ Lift Transport Cart
11226	AquaTRAM 90+ Anchor for Round Post Model
11202	AquaTRAM 90+ Anchor for Square Post Anchor
11240	2-1/2"OD x 1.95" ID Anchor Adapter Sleeve
11241	2-3/8"OD x 1.95" ID Anchor Adapter Sleeve
11242	2-5/8"OD x 1.95" ID Anchor Adapter Sleeve
11243	Round Anchor for Wood-Framed Deck

AQUATRAM PT-2 LIFT

Pentair P/N	Description
11480	AquaTRAM PT-2 Lift w/ Sand Ballast (sand not incl.)
11285	AquaTRAM PT-2 Cover, Blue
11287	AquaTRAM PT-2 Accessory Upgrade Kit**
11289	Affixment Kit (contains docking bar and anchor)

**Includes cover, headrest, chest strap and extra battery

AQUATRAM SERIES SHARED OPTIONS & ACCESSORIES

Pentair P/N	Description
11206	AquaTRAM Adjustable Chest Strap
11208	AquaTRAM Pull-out Leg Rest
11211	AquaTRAM Replacement Battery (LINAk)
11277	AquaTRAM Replacement Charger (LINAk)
11212	AquaTRAM Replacement Battery (VITo)
11279	AquaTRAM Replacement Charger (VITo)
11213	AquaTRAM Replacement Footrest
11207	AquaTRAM Cycle Attachment
11305	AquaTRAM Replacement Seat w/ Arms
11215	AquaTRAM Replacement Seat Belt
11306	AquaTRAM Footrest




AQUATRAM LT-2 LIFT AND ANCHOR

Pentair P/N	Description
11430	AquaTRAM LT-2 Lift w/ Anchor Kit
11430-A	AquaTRAM LT-2 Lift Less Anchor Kit
11231	AquaTRAM LT-2 Anchor Kit only
11232	AquaTRAM LT-2 Transport Cart
11204	AquaTRAM Protective Cover
11205	Adjustable Headrest, AquaTRAM LT only
11270	AquaTRAM Replacement Hand Control
11271	AquaTRAM Replacement Control Box (LINAk)
11278	AquaTRAM Replacement Control Box (VITo)
11273	AquaTRAM Replacement Actuator Cover

AQUATRAM 360 LIFT AND ACCESSORIES

Pentair P/N	Description
11250	AquaTRAM 360 Lift w/ Anchor
11250-A	AquaTRAM 360 Lift without Anchor
11252	AquaTRAM 360 Anchor Kit w/ Cap
11257	AquaTRAM 360 Protective Cover
11254	AquaTRAM 360 Adjustable Headrest
11253	AquaTRAM 360 Transport Cart
11255	AquaTRAM 360 Sling Arm Option (500-lb. capacity)
11256-C	AquaTRAM 360 Replacement Sling Chain Set
11256	AquaTRAM 360 Replacement Sling (500-lb. capacity)
11256-B	AquaTRAM 360 Replacement Sling Bars
11258	AquaTRAM 360 Gurney Option
11260	AquaTRAM 360 Spine Board Option
11261	AquaTRAM 360 Head Immobilizer for Spine Board
11274	AquaTRAM 360 Replacement Hand Control, 4-Button
11275	AquaTRAM 360 Replacement Control Box
11276	AquaTRAM 360 Replacement Actuator
11259	AquaTRAM 360 Wheelchair Option, 22" Chair included

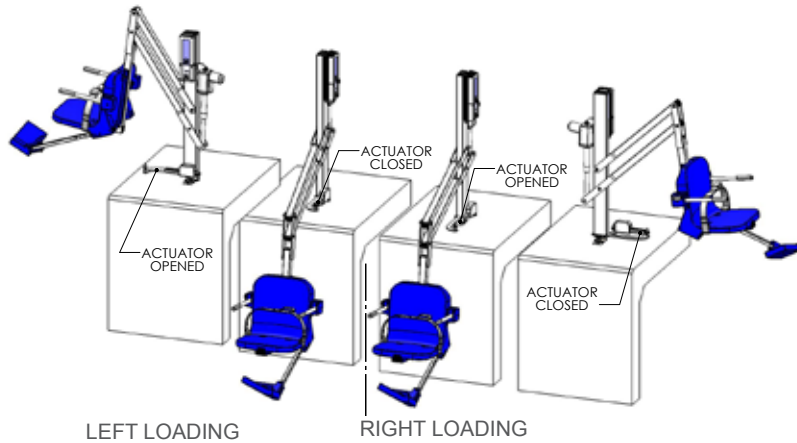
CALIFORNIA PROPOSITION 65 WARNING

 **WARNING:** Cancer and Reproductive Harm.
 **AVERTISSEMENT:** Peut Causer le Cancer et des Dommages au Système Reproducteur.
 **ADVERTENCIA:** Cáncer y Daño Reproductivo.
www.p65warnings.ca.gov

PA201714

AQUATRAM® POOL ACCESS LIFTS

ADA-COMPLIANT POOL LIFTS



LEFT LOADING

RIGHT LOADING

TO REVERSE THE LOADING POSITION, TURN THE POST 90° CCW FROM THE "LEFT" SIDE TO ALLOW LOADING ON THE RIGHT SIDE.



2-1/2" Square Post Anchor (Quickset)



1.95" Round Post Anchor (Standard)

CALIFORNIA PROPOSITION 65 WARNING

⚠ **WARNING:** Cancer and Reproductive Harm.
 ⚠ **AVERTISSEMENT:** Peut Causer le Cancer et des Dommages au Système Reproducteur.
 ⚠ **ADVERTENCIA:** Cáncer y Daño Reproductivo.

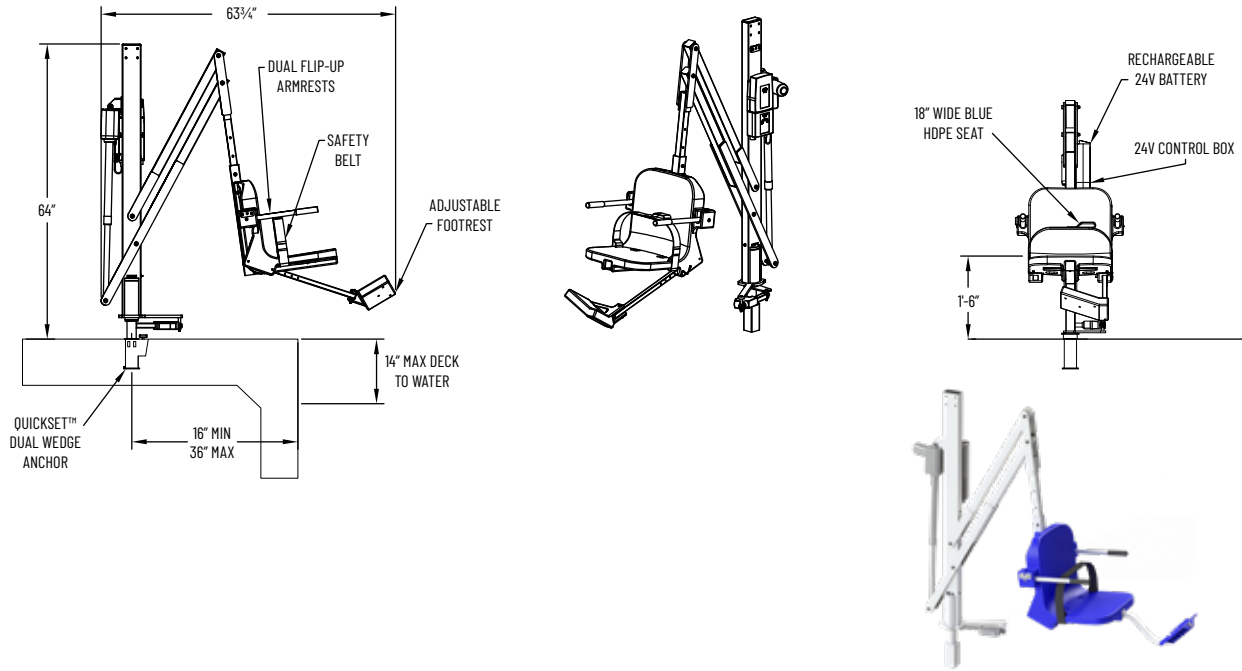
www.p65warnings.ca.gov

PN2007EA

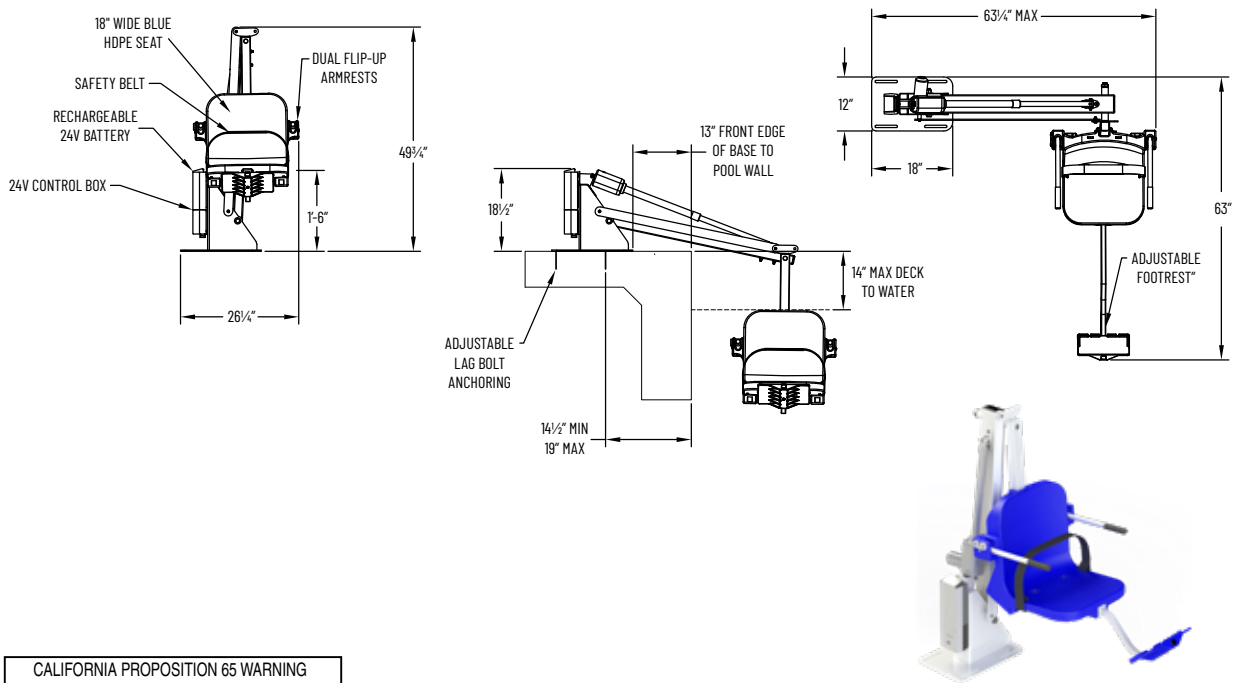
AQUATRAM® POOL ACCESS LIFTS

ADA-COMPLIANT POOL LIFTS

AQUATRAM 90+ LIFT



AQUATRAM LT-2 LIFT



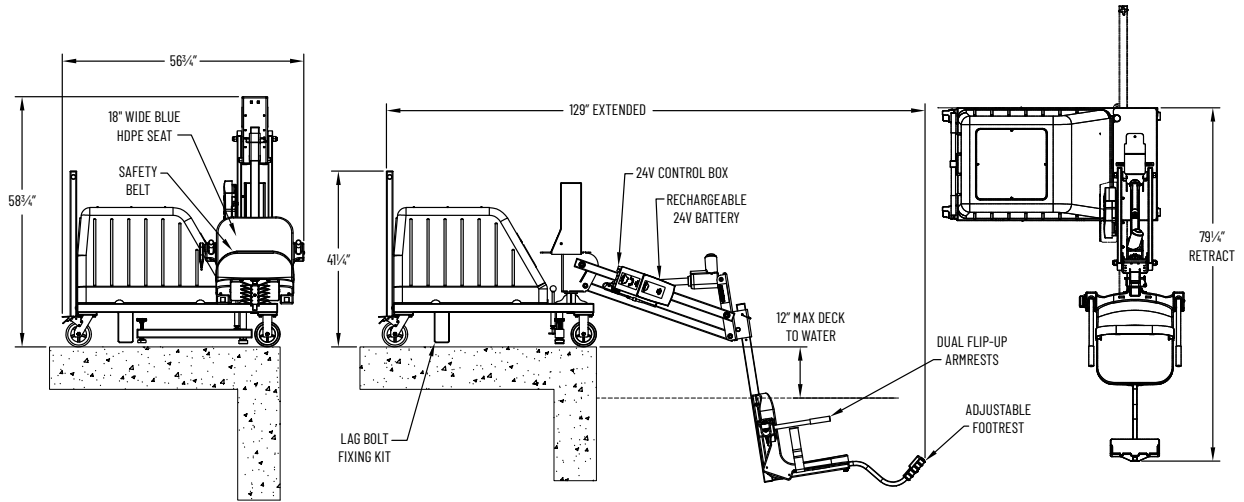
CALIFORNIA PROPOSITION 65 WARNING

⚠ **WARNING:** Cancer and Reproductive Harm.
 ⚠ **AVERTISSEMENT:** Peut Causer le Cancer et des Dommages au Système Reproducteur.
 ⚠ **ADVERTENCIA:** Cáncer y Daño Reproductivo.
www.p65warnings.ca.gov

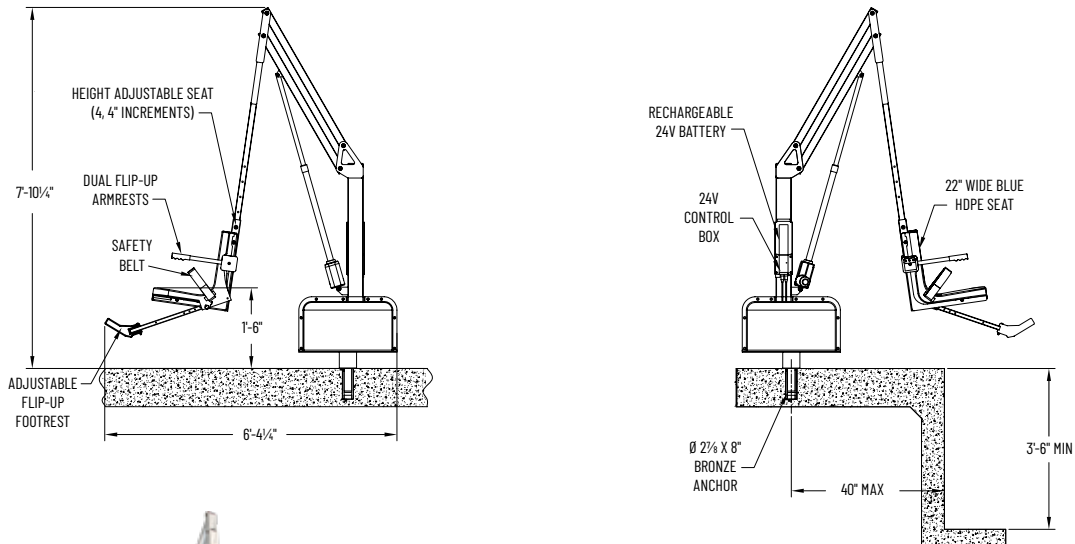
AQUATRAM® POOL ACCESS LIFTS

ADA-COMPLIANT POOL LIFTS

AQUATRAM PT-2



AQUATRAM 360 LIFT



CALIFORNIA PROPOSITION 65 WARNING

⚠ **WARNING:** Cancer and Reproductive Harm.
 ⚠ **AVERTISSEMENT:** Peut Causer le Cancer et des Dommages au Système Reproducteur.
 ⚠ **ADVERTENCIA:** Cáncer y Daño Reproductivo.

www.p65warnings.ca.gov
P650073.A

PARAGON™ DECK EQUIPMENT

POOL ACCESSORIES

For over 50 years, KDI Paragon products have been the flagship of the aquatics industry for quality, craftsmanship and innovation. We remain focused on the core values that helped make us the leader: we build to our customer's specifications with a commitment to custom products and continuous improvement; we provide superior customer service and communication by listening and being responsive to our partners in the aquatics industry, whether architects, engineers, distributors, contractors, facility managers or competitive swimming and diving professionals.



Track Start PLUS+™ is a modular concept that adds optional enhancements to new and existing Track Start starting platforms. These features will be factory installed if ordered with new Track Start platforms. The same kits, complete with mounting hardware and installation instructions will be provided for an easy retrofit in the field for existing platforms.



Track Start PLUS+™ STS Starting Platform features include:

- Modular concept enhancing swimmers performance with seamless upgrade to existing Quickset/Paralyte or Competitor style platforms
- Side-to-side adjustment for unimpeded rear access with or without a step
- Non-skid, white sand finish, UV inhibited polypropylene kick plate adjusts infinitely from side-to-side
- Color options available for frame and sand-finish kick plate. Call for more information.



Grab Rails:

- Grab rails come in pairs. They are used to keep racing lanes free from obstructions when used in conjunction with built-in steps.
- Figure 4 model shown to left. Pentair's most popular model. For flat deck without unusual curbs or coping.
- Many more styles available



Diving Towers and Stair Systems:

- Our diving towers offer significant differences to satisfy varying needs, including budgets, preferences, and job conditions.
- Sizes vary from 1/2 meter to 3 meters in height. Paraflyte towers are available in one meter and three meter models.
- Each tower is furnished with railings, rear anchor, front anchor, pedestal and fulcrum.

CALIFORNIA PROPOSITION 65 WARNING

⚠️ **WARNING:** Cancer and Reproductive Harm.
 ⚠️ **AVERTISSEMENT:** Peut Causer le Cancer et des Dommages au Système Reproducteur.
 ⚠️ **ADVERTENCIA:** Cáncer y Daño Reproductivo.

www.p65warnings.ca.gov

PK100174

PARAGON™ DECK EQUIPMENT

POOL ACCESSORIES

Griff's Vision Guard Station™

- Minimum footprint; maximum impact
- Less costly; ships flat
- 3 heights available



All Terrain Griff's Guard Station®

- Super portable - tip and roll with ease over any terrain
- Front and back guard access



Custom-Made Railings

We will fabricate railings to your specifications whenever custom fabricated, corrosion-resistant, stainless steel railings are required. Can be used for most pool applications: including entry, ADA compliant, stairs, deck guards and diving towers. Design and engineering support are readily available.

Our railings are manufactured and verified to meet your project's unique specifications. All rails are factory welded and are shipped ready for installation requiring no field cutting, drilling or modifications.



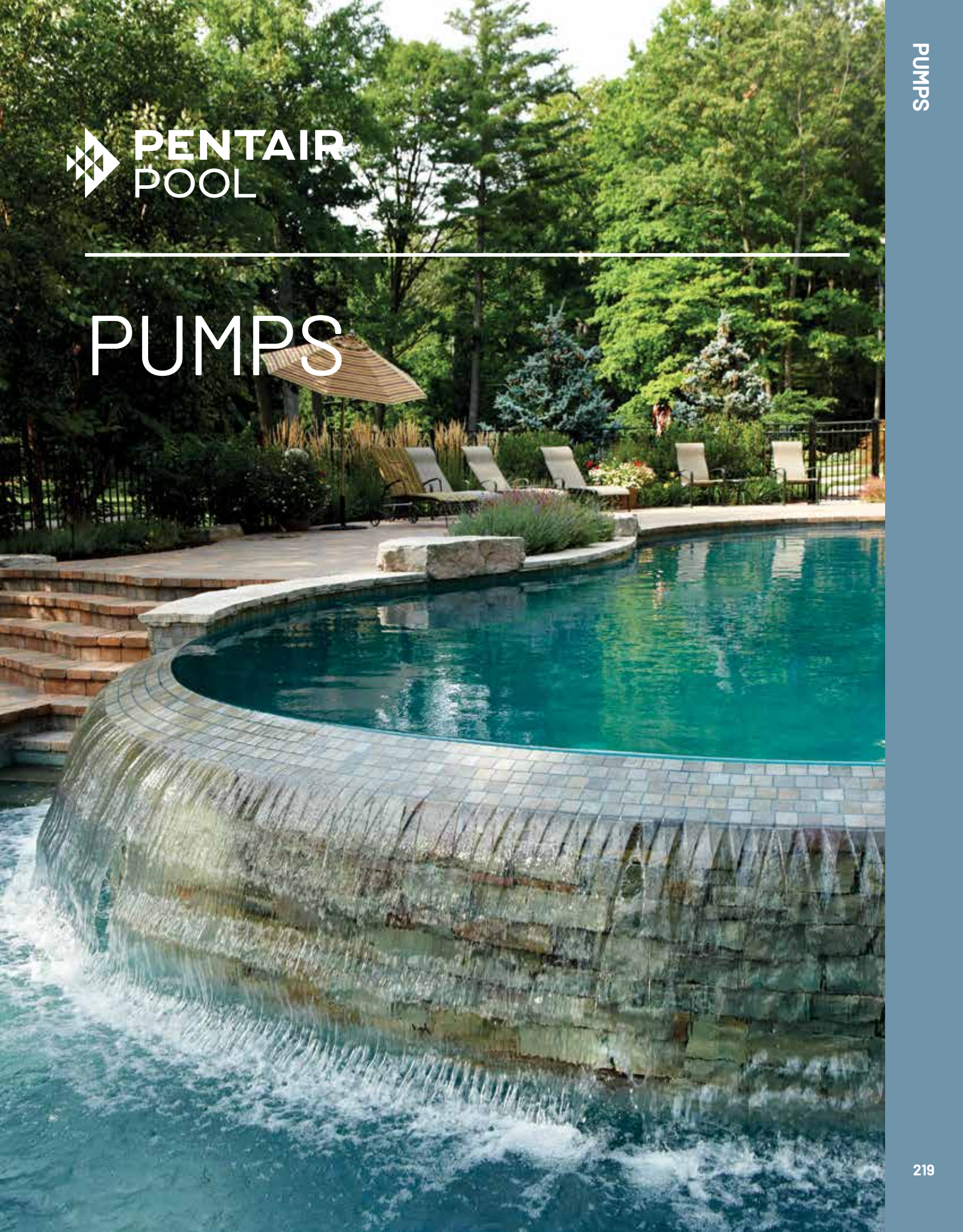
We manufacture most rail goods in 1.90" O.D. stainless steel tubing, and have extensive experience manufacturing custom rails in 1.50" O.D. as well. If rails are not being installed directly into the concrete, anchor sockets are available to accommodate 1.90" and 1.50" rails.

For our complete Paragon Deck Equipment product line, contact Customer Service and request a Paragon Deck Catalog (part #PCA-103).

CALIFORNIA PROPOSITION 65 WARNING
⚠️ WARNING: Cancer and Reproductive Harm.
⚠️ AVERTISSEMENT: Peut Causer le Cancer et des Dommages au Système Reproducteur.
⚠️ ADVERTENCIA: Cáncer y Daño Reproductivo.
www.p65warnings.ca.gov PH2017L4



PUMPS



INTELLIFLO3®

VARIABLE SPEED AND FLOW POOL PUMP

TRADEGRADE



Optional touchscreen for more flexible control.

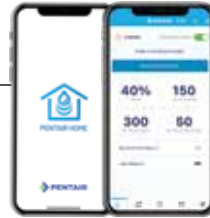


IntelliFlo3 3.0 HP Variable Speed & Flow Pump

IntelliFlo3 1.5 HP Variable Speed & Flow Pump

Featured Highlights

- Proprietary flow technology maintains the pool's optimal flow
- Easy control via the Pentair Home app or optional touchscreen
- Up to 90% energy savings*
- New motor, drive and hydraulics
- Optional onboard automation
- Easy setup and remote updates



Pentair Home app: pool owners can access the pool anytime, anywhere.



Pentair Pro app: ability to control and remotely monitor.

This pump combines true set-it-and-forget-it patented flow technology paired with smart connectivity of the Pentair Home app. The proprietary combination of variable speed plus auto-regulated flow means all good things flow from the IntelliFlo3—for your customers and for your business. Small pool or big, this pump is a simple, smart, worry-free way to give pool owners the effortless, inviting pool experience they expect.

Ordering Information

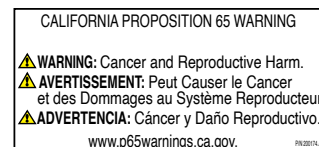
PART #	DESCRIPTION	THP	WEF	Maximum Input		Full Load	Port Size (NPT)	Weight	Certification ³
				Voltage	Frequency				
INTELLIFLO3 VARIABLE SPEED AND FLOW POOL PUMP									
011075	IntelliFlo3 VSF 3.0 HP*	3	7.1	208V-230V	50 Hz or 60 Hz	12.4-11.2 Amps	2" x 2" or 2.5" x 2.5" or (optional) 3" x 3"	55 lbs	UL ¹ , NSF ²
011076	IntelliFlo3 VSF 3.0 HP with relay board*	3	7.1	208V-230V	50 Hz or 60 Hz	12.4-11.2 Amps	2" x 2" or 2.5" x 2.5" or (optional) 3" x 3"	55 lbs	UL ¹ , NSF ²
011077	IntelliFlo3 VSF 3.0 HP with touchscreen*	3	7.1	208V-230V	50 Hz or 60 Hz	12.4-11.2 Amps	2" x 2" or 2.5" x 2.5" or (optional) 3" x 3"	55 lbs	UL ¹ , NSF ²
011078	IntelliFlo3 VSF 3.0 HP with touchscreen and relay board*	3	7.1	208V-230V	50 Hz or 60 Hz	12.4-11.2 Amps	2" x 2" or 2.5" x 2.5" or (optional) 3" x 3"	55 lbs	UL ¹ , NSF ²
INTELLIFLO3 VARIABLE SPEED AND FLOW POOL PUMP WITH TOUCH SCREEN HMI									
011065	IntelliFlo3 VSF 1.5 HP*	1.5	9.4	115/208-230V	50 Hz or 60 Hz	12/6.4-5.9 Amps	1.5" x 1.5" or 2" x 2"	48 lbs	UL ¹ , NSF ²
011066	IntelliFlo3 VSF 1.5 HP with relay board*	1.5	9.4	115/208-230V	50 Hz or 60 Hz	12/6.4-5.9 Amps	1.5" x 1.5" or 2" x 2"	48 lbs	UL ¹ , NSF ²
011067	IntelliFlo3 VSF 1.5 HP with touchscreen*	1.5	9.4	115/208-230V	50 Hz or 60 Hz	12/6.4-5.9 Amps	1.5" x 1.5" or 2" x 2"	48 lbs	UL ¹ , NSF ²
011068	IntelliFlo3 VSF 1.5 HP with touchscreen and relay board*	1.5	9.4	115/208-230V	50 Hz or 60 Hz	12/6.4-5.9 Amps	1.5" x 1.5" or 2" x 2"	48 lbs	UL ¹ , NSF ²

¹ 'UL' indicates that pump bears a UL mark signifying evaluation to U.S. Standards UL1081 for Permanently Connected Swimming Pool and Spa Pumps and to Canadian Standards CAN/CSA C22.2 No. 108-01 Liquid Pumps For Swimming Pools Only (Enclosure 3).

² 'NSF' indicates that pump bears a mark signifying evaluation to NSF Standard 50 For Self-Priming Centrifugal Pumps For Swimming Pools, Spas and Hot Tubs.

³ Product may have been evaluated to other state and local regulatory standards. Listing status may change. Always confirm status with appropriate agency if in doubt.

*Savings based on variable speed pump compared to a single-speed pump running 12 hours per day at an average of \$0.16 per kWh in a 20,000 gallon pool. Actual savings may vary based on local utility rates, pool size, pump run time, pump horsepower, pump rpm, plumbing size and length, pump model, service factor and other hydraulic factors. Individual Weighted Energy Factor (WEF) scores and savings may vary by model.



INTELLIFLO3® (CONT'D)

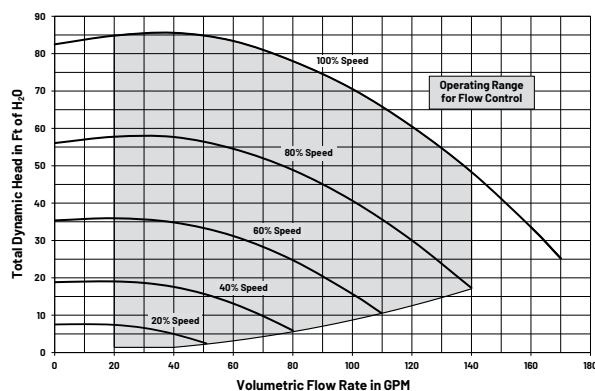
VARIABLE SPEED AND FLOW POOL PUMP

Ordering Information

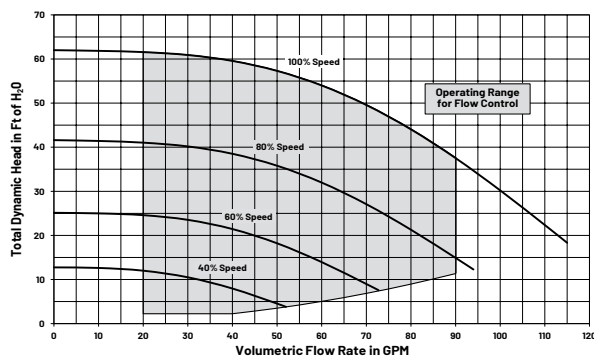
PART #	DESCRIPTION
INTELLIFLO3 ADD ONS	
356159Z	IntelliFlo3 VSF universal touchscreen add on
356365Z	IntelliFlo3 VSF optional universal relay board kit
410009	2.5" Sweep Elbow Pump Kit
410029	3" Union Kit for 3 HP Pumps
357831Z	Retrofit Riser Base Kit for 1.5 HP Models—IntelliFlo and WhisperFlo Models
357832Z	Retrofit Riser Base Kit for 1.5 HP Models—IntelliPro, Max-E-Pro, and Challenger Models
357833Z	Retrofit Riser Base Kit for 3.0 HP Models—IntelliPro, Max-E-Pro, and Challenger Models

Dimensions and Performance

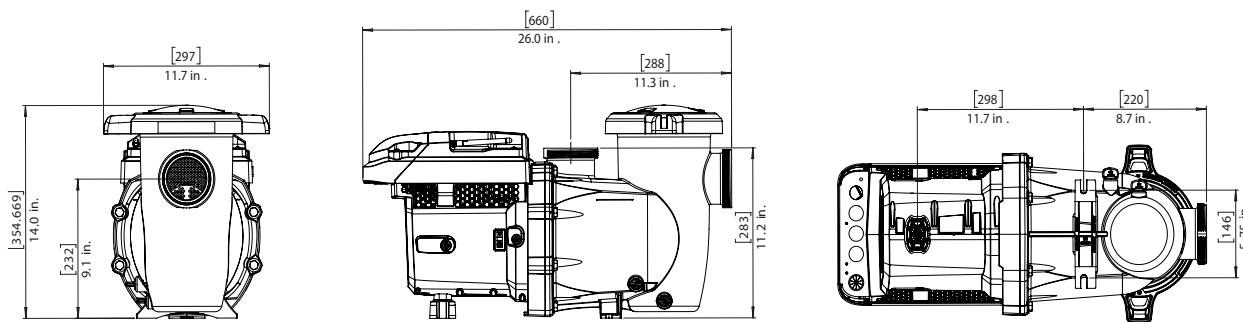
Pump Performance Curves (3 HP Models)



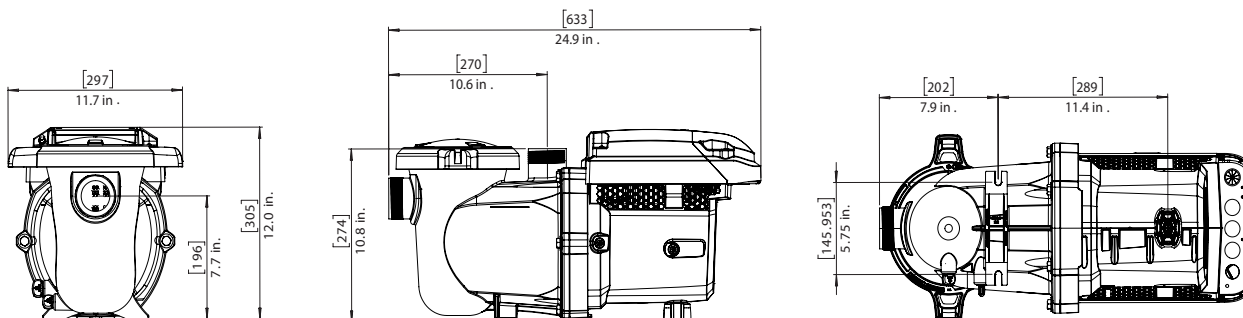
Pump Performance Curves (1.5 HP Models)



Pump Dimensions (3 HP Models)



Pump Dimensions (1.5 HP Models)



See page 497 for replacement parts.

INTELLIFLO® VS+SVRS HIGH PERFORMANCE PUMPS



IntelliFlo VS+SVRS
High Performance Pump

Patent Information: www.pentair.com/patents

IntelliFlo pumps combine variable speed technology, onboard digital intelligence and permanent magnet motors (used in hybrid cars) to reduce pump-related energy costs by up to 90%*. The IntelliFlo VS+SVRS pump includes a built-in Safety Vacuum Release System that detects drain blockage and automatically shuts the pump off.

Featured Highlights

- Ability to program exact pump speeds for specific operations – filtering, heating, cleaning, spa jets, water features and more
- SVRS complies with Virginia Graeme Baker Safety Act
- Built-in diagnostics helps protect the IntelliFlo pump from the most common causes of premature failure by alerting of the issue – overheating, freezing, and voltage irregularities.
- Includes priming protection. No SVRS calibrations needed. Built-in SVRS cannot be turned off.
- Safety lock-out feature (password protected) prevents pump speed settings from being changed by unauthorized personnel
- Ability to set minimum and maximum speeds so pump will only operate within the ranges set to help assure suitable operation for a longer life
- Compatible with Pentair Automation Systems
- Compliant with the current ASME A112.19.17 Standard for Safety Vacuum Release Systems (SVRS)
- Operates seamlessly on 50 hz or 60 hz input power. Flow/speed are constant when operating on 50hz or 60 hz.

Ordering Information

Product	Description	THP	WEF	HHP	Service Factor	Voltage	Frequency	Current	Port Size	Weight	Certifications ³
ENERGY EFFICIENT VARIABLE SPEED WITH SAFETY VACUUM RELEASE SYSTEM											
011057	IntelliFlo VS+SVRS	3.95	6.9	1.88	1.0	230	50/60	16.0	2" x 2"	53	UL ¹ , NSF ²
ACCESSORIES											
521109	IntelliCom 2 - Rated 9 - 30 V DC with 4 inputs										1
350122Z	Communication Cable - 50 ft. - Included with pump										2
350250Z	SVRS KIT - Allows use of discharge check valves with SVRS pump										1
356198	Chemical/Salt/Ozone Resistant EPDM & SS Seal Quick Kit										1
UNIONS											
11201-0154	2 in. x 2 in. Union (2 in. NPT male x 2 in. female NPT quick connect)								Note: two required per pump (sold individually)		2

¹ 'UL' indicates that pump bears a UL mark signifying evaluation to U.S. Standards UL1081 for Permanently Connected Swimming Pool and Spa Pumps and to Canadian Standards CAN/CSA C22.2 No. 108-01 Liquid Pumps For Swimming Pools Only (Enclosure 3).

² 'NSF' indicates that pump bears a mark signifying evaluation to NSF Standard 50 For Self-Priming Centrifugal Pumps For Swimming Pools Only.

³ Product may have been evaluated to other state and local regulatory standards. Listing status may change. Always confirm status with appropriate agency if in doubt.

Note: Pump must be used with current collectors when installed on spas or hot tubs in Canada.

• Savings based on variable speed pump compared to a single-speed pump running 12 hours per day at an average of \$0.16 per kWh in a 20,000 gallon pool. Actual savings may vary based on local utility rates, pool size, pump run time, pump horsepower, pump rpm, plumbing size and length, pump model, service factor and other hydraulic factors. Individual Weighted Energy Factor (WEF) scores and savings may vary by model.

Refer to catalog page 45 for a selection of 2-Pole GFCI breakers which offer 6 milliamp personnel protection while meeting 2008 to Current NEC Standards for Pool Pumps.

CALIFORNIA PROPOSITION 65 WARNING

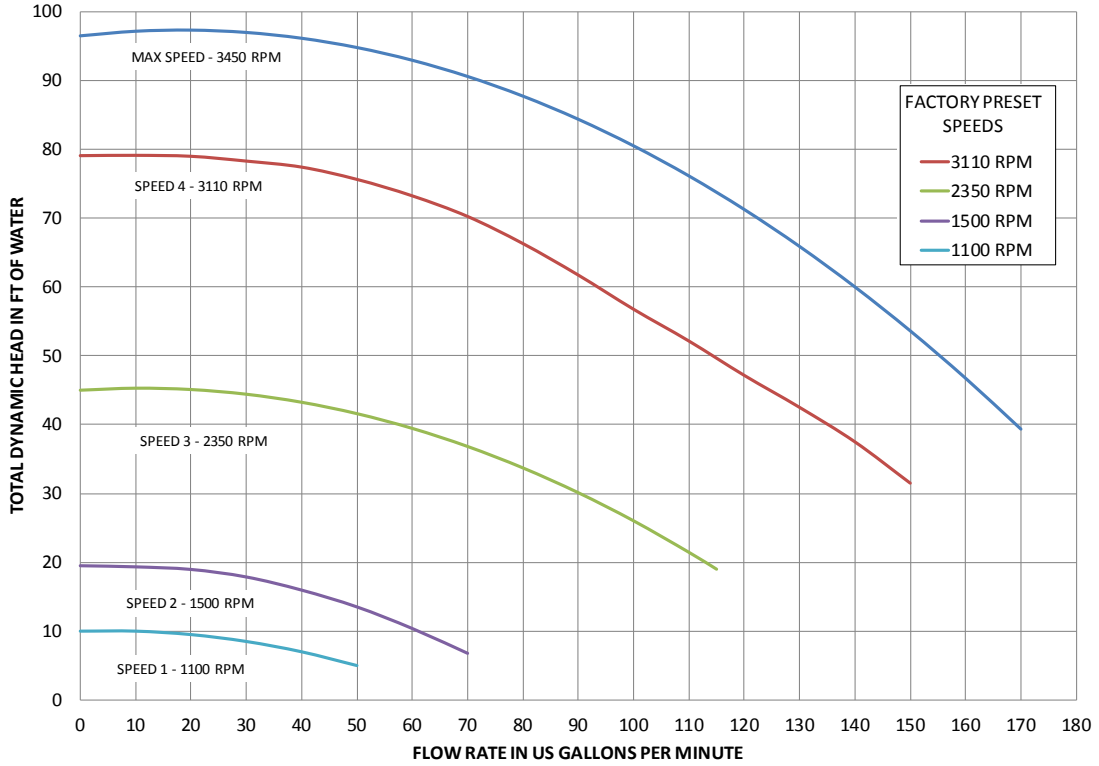
⚠ **WARNING:** Cancer and Reproductive Harm.
 ⚠ **AVERTISSEMENT:** Peut Causer le Cancer et des Dommages au Système Reproducteur.
 ⚠ **ADVERTENCIA:** Cáncer y Daño Reproductivo.

www.p65warnings.ca.gov P650714

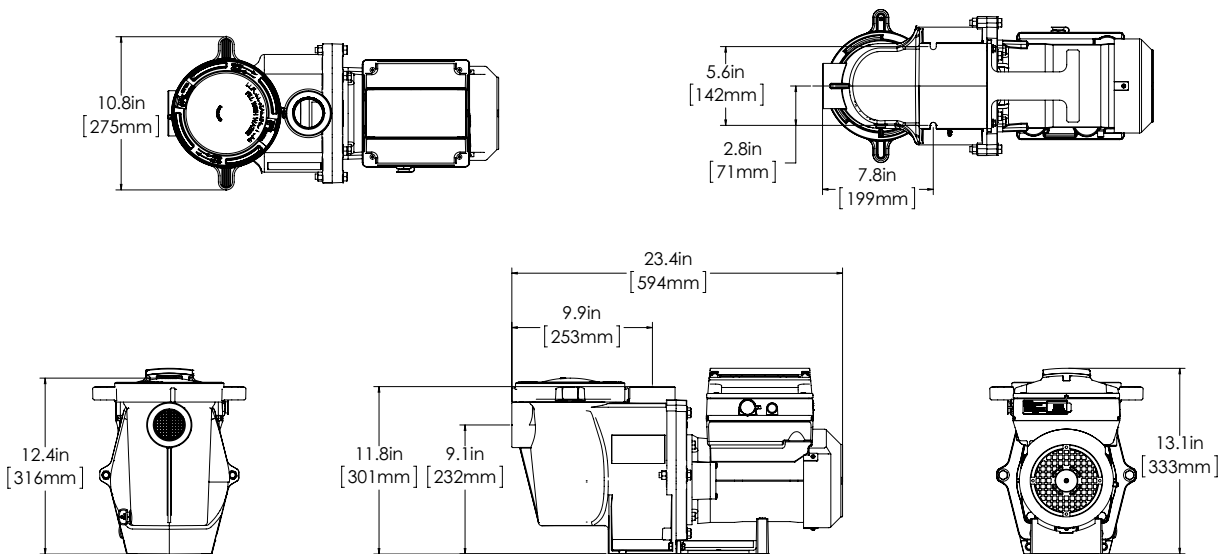
INTELLIFLO® VS+SVRS

HIGH PERFORMANCE PUMPS (CONT'D)

Dimensions and Performance



Note: IntelliFlo VS+SVRS minimum speed is 1100 RPM



See page 502 for replacement parts.

WHISPERFLOXF[®]

HIGH PERFORMANCE PUMPS

TRADEGRADE



WhisperFloXF Pump shown with TEFC Motor

Developed using advanced engineering tools - CFD (Computational Fluid Dynamics) and FEA (Finite Element Analysis). The impeller design delivers high level of precision concentricity for efficiency.

*Optional riser base for Challenger pump replacements. Part # 400012 available separately.

Featured Highlights

- Drop-in replacement for all WhisperFlo[®] Pump models. Simple replacement for Challenger[®] Pumps.*
- Union connectors included for connecting directly to 2.5 in. or 3 in. plumbing
- Extra large, robust basket with smooth surface for easy debris removal
- Easy-carry handle; easily removable ergonomic lock ring; and see-through lid for easy basket inspection
- Three Phase XF pumps are compatible with Pentair's Acu Drive XS VFD's

Ordering Information

Product	Rated HP	THP	WEF	HHP	Service Factor	Voltage	Frequency	Current	Port Size	Weight	Certifications ³	Curve Key
COMMERCIAL SINGLE-SPEED TEFC												
022034	5	5	N/A	N/A	1.00	208-230	60	20.0-18.8	2.5" x 2.5" or 3" x 3"	67	UL ¹ , NSF ²	A
TEFC SINGLE-SPEED—NOT FOR SALE IN THE USA												
022032-INT	2	2.60	N/A	N/A	1.30	208-230	60	11.1-9.5	2.5" x 2.5" or 3" x 3"	57	UL ¹ , NSF ²	D
022033-INT	3	3.45	N/A	N/A	1.15	208-230	60	14.6-12.7	2.5" x 2.5" or 3" x 3"	61	UL ¹ , NSF ²	B
THREE-PHASE SUPER-DUTY												
022017	2	2.6	N/A	N/A	1.30	208-230/460	60	7.5-7.2/3.6	2.5" x 2.5" or 3" x 3"	60	UL ¹ , NSF ²	I
022018	3	3.25	N/A	N/A	1.15	208-230/460	60	9.8-9.4/4.7	2.5" x 2.5" or 3" x 3"	60	UL ¹ , NSF ²	H
022019	5	5.00	N/A	N/A	1.00	208-230/460	60	13.9-13.1/6.6	2.5" x 2.5" or 3" x 3"	72	UL ¹ , NSF ²	G
ACCESSORIES												
400012	XF Riser Base - Simplifies installation of XF-series pumps in applications where Challenger pumps are being replaced.											

¹ 'UL' indicates that pump bears a UL mark signifying evaluation to U.S. Standards UL1081 for Permanently Connected Swimming Pool and Spa Pumps and to Canadian Standards CAN/CSA C22.2 No. 108-01 Liquid Pumps For Swimming Pools Only (Enclosure 3).

² 'NSF' indicates that pump bears a mark signifying evaluation to NSF Standard 50 For Self-Priming Centrifugal Pumps For Swimming Pools, Spas and Hot Tubs.

³ Product may have been evaluated to other state and local regulatory standards. Listing status may change. Always confirm status with appropriate agency if in doubt.

CALIFORNIA PROPOSITION 65 WARNING

▲ **WARNING:** Cancer and Reproductive Harm.
▲ **AVERTISSEMENT:** Peut Causer le Cancer et des Dommages au Système Reproducteur.
▲ **ADVERTENCIA:** Cáncer y Daño Reproductivo.

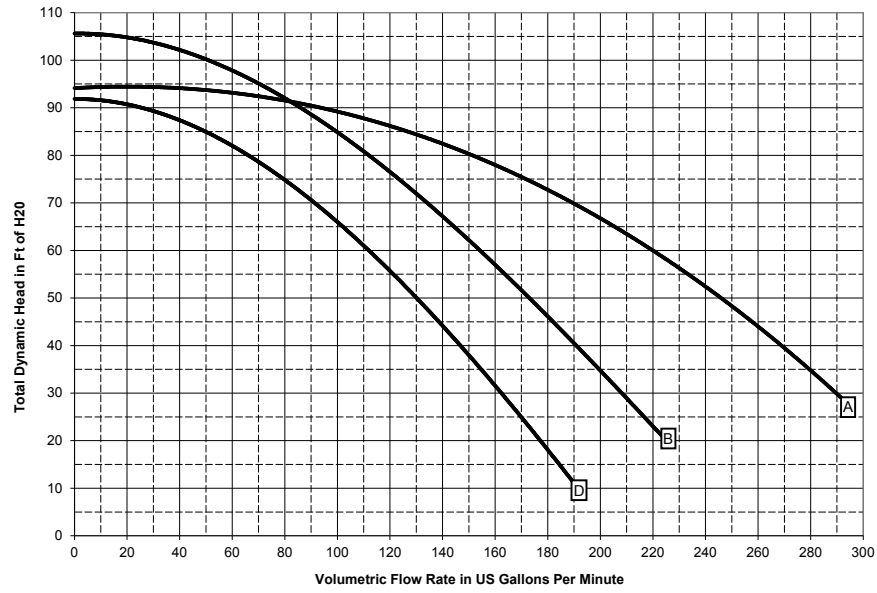
www.p65warnings.ca.gov
P62011A

WHISPERFLOXF[®]

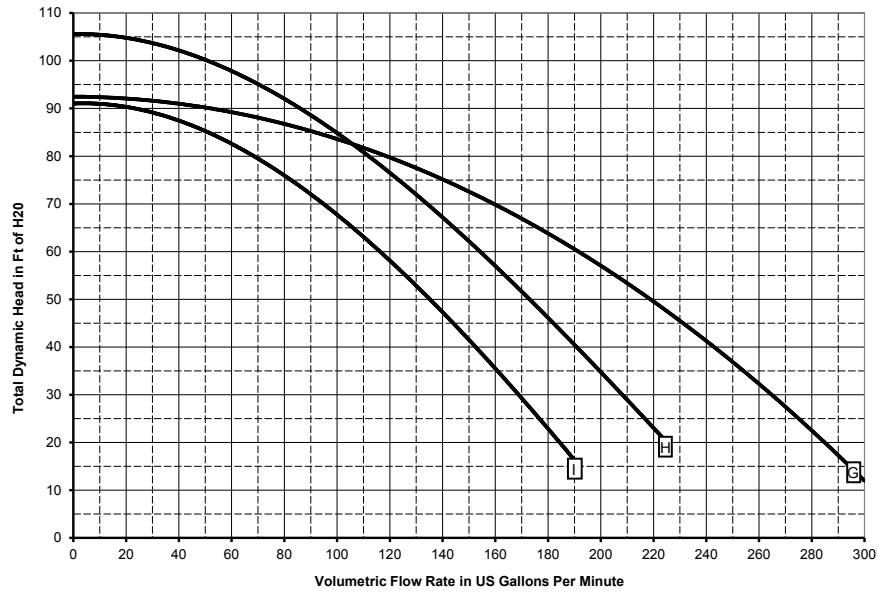
HIGH PERFORMANCE PUMPS (CONT'D)

Dimensions and Performance

1 & 2-Speed Performance Curve

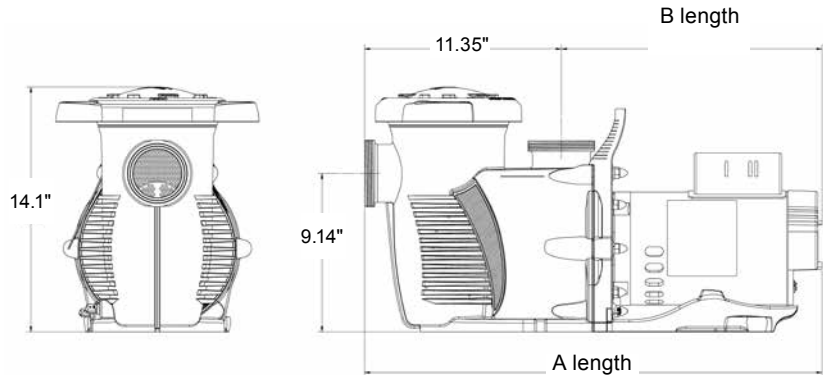


3 Phase Performance Curve



B-VARYING LENGTH		
HP	TEFC	3-PH
2	13.05	12.35
3	13.65	13.05
5	14.55	13.88

A-VARYING LENGTH		
HP	TEFC	3-PH
2	24.4	23.7
3	25	24.4
5	25.9	25.23



See pages 507-508 for replacement parts.

WHISPERFLO® VST

VARIABLE SPEED PUMP

TRADEGRADE



WhisperFlo VST
Variable Speed Pump

Featured Highlights

- Variable speed technology reduces energy cost up to 90%*
- Improved mechanical seal and totally enclosed fan-cooled (TEFC) motor to help withstand harsh temperatures and chemicals
- RS-485 connectivity for improved interface with automation systems and IoT devices for more flexibility
- Advanced onboard digital display and real-time, 24-hour clock
- Select from three programmable speeds plus an override to meet specific needs
- Adapts to 115V to 230V and 50hz or 60hz power with no special wiring or switching

The WhisperFlo VST pump brings features and benefits that are just right for a pool owners' needs. Ideal for new and standard pool pump replacement for pools requiring up to a 2.0 HP pump for filtration, water features, and higher head applications.

Ordering Information

Product	THP	WEF	HHP	Service Factor	Voltage	Frequency	Current	Port Size	Weight	Certifications ³
WHISPERFLO VST VARIABLE SPEED										
011533	2.6	8.4	1.64	1.0	115/208-230V	50/60	13.9/11.1-10.1A	2" x 2"	45	UL ¹ , NSF ²

¹ 'UL' indicates that pump bears a UL mark signifying evaluation to U.S. Standards UL1081 for Permanently Connected Swimming Pool and Spa Pumps and to Canadian Standards CAN/CSA C22.2 No. 108-01 Liquid Pumps For Swimming Pools Only (Enclosure 3). UL 60730 Compliant.

² 'NSF' indicates that pump bears a mark signifying evaluation to NSF Standard 50 For Self-Priming Centrifugal Pumps For Swimming Pools Only.

³ Product may have been evaluated to other state and local regulatory standards. Listing status may change. Always confirm status with appropriate agency if in doubt.

*Savings based on variable speed pump compared to a single-speed pump running 12 hours per day at an average of \$0.16 per kWh in a 20,000 gallon pool. Actual savings may vary based on local utility rates, pool size, pump run time, pump horsepower, pump rpm, plumbing size and length, pump model, service factor and other hydraulic factors. Individual Weighted Energy Factor (WEF) scores and savings may vary by model.

CALIFORNIA PROPOSITION 65 WARNING

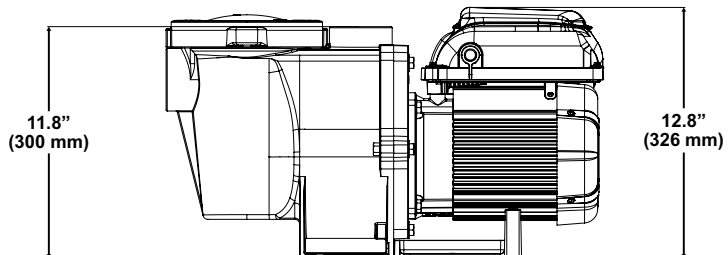
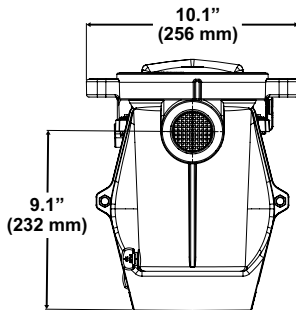
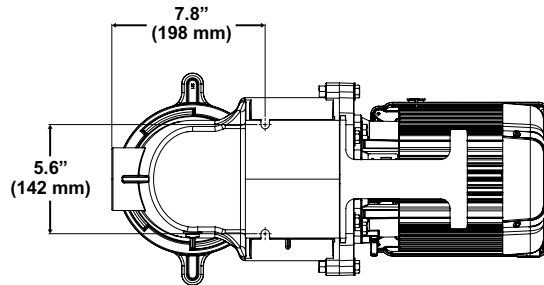
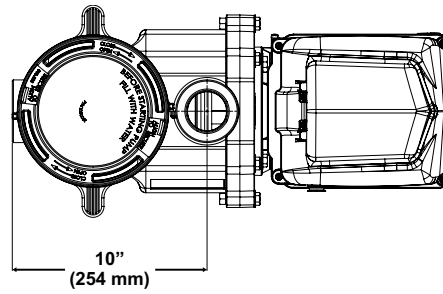
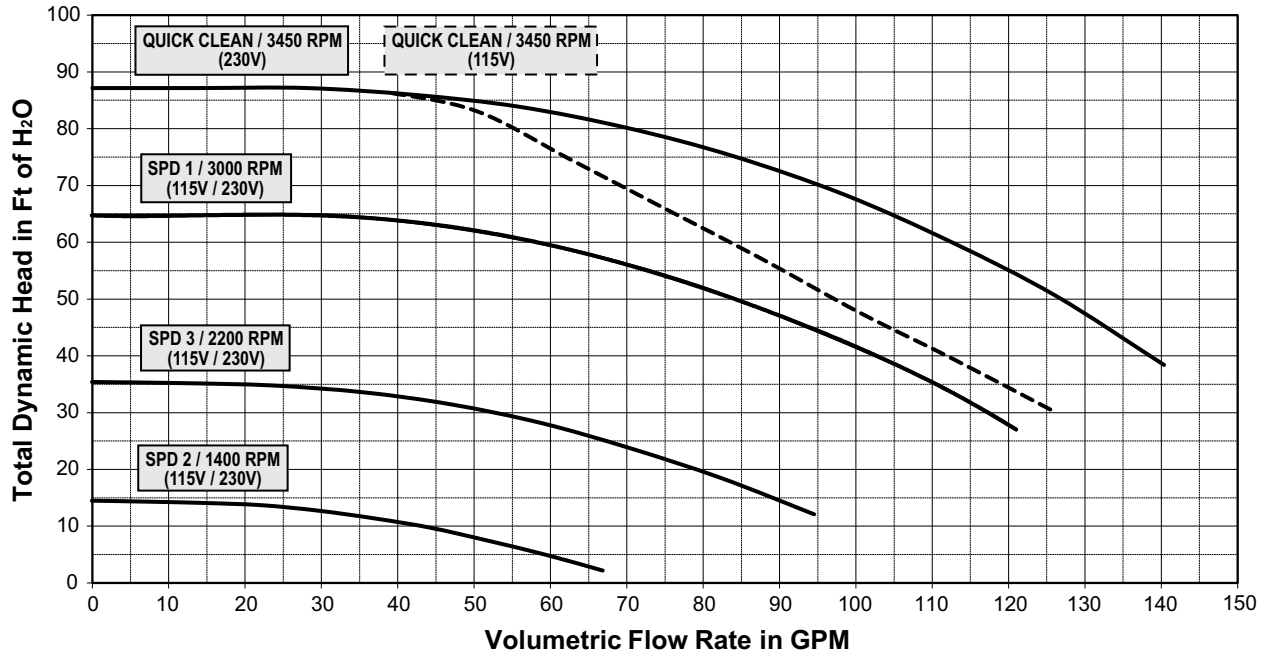
⚠ **WARNING:** Cancer and Reproductive Harm.
 ⚠ **AVERTISSEMENT:** Peut Causer le Cancer et des Dommages au Système Reproducteur.
 ⚠ **ADVERTENCIA:** Cáncer y Daño Reproductivo.

www.p65warnings.ca.gov

WHISPERFLO® VST

VARIABLE SPEED PUMP (CONT'D)

Dimensions and Performance



WHISPERFLO®

HIGH PERFORMANCE PUMPS

TRADEGRADE



WhisperFlo Pump shown with TEFC Motor

Featured Highlights

- Oversized strainer basket and volute—industry standard in pool pumps
- TEFC Motors available
- 2" NPT suction and discharge ports.
- Compatible with all cleaning systems, various filters and jet action spas
- Heavy-duty/durable construction is designed for long life
- Designed for residential and commercial applications

Robust thermoplastic with the Cam & Ramp™ See-Through Lid design. Self-priming, high flow with Funnel-Flo™ Diffusers. 2 in. suction and discharge ports. Motor features threaded shaft and durable commercial duty 56 frame motor.

CALIFORNIA PROPOSITION 65 WARNING
 ⚠️ WARNING: Cancer and Reproductive Harm.
 ⚠️ AVERTISSEMENT: Peut Causer le Cancer et des Dommages au Système Reproducteur.
 ⚠️ ADVERTENCIA: Cáncer y Daño Reproductivo.
www.p65warnings.ca.gov PH 201714

Ordering Information

Product	Rated HP	THP	WEF	HHP	Service Factor	Voltage	Frequency	Current	Port Size	Weight	Certifications ³	Curve Key
DOE COMPLIANT SINGLE-SPEED TEFC												
015583	N/A	1.1	3.4	0.69	1.00	115/208-230	60	10.5/5.4-5.4	2" x 2"	50	UL ¹ , NSF ²	E
ENERGY EFFICIENT SINGLE-SPEED - NOT FOR SALE IN THE USA												
011511-INT	1/2	0.95	N/A	N/A	1.00	115/208-230	60	8.8/4.5-4.4	2" x 2"	44	UL ¹ , NSF ²	E
011512-INT	3/4	1.25	N/A	N/A	1.00	115/208-230	60	12.8/7.0-6.4	2" x 2"	44	UL ¹ , NSF ²	F
TEFC SINGLE-SPEED - NOT FOR SALE IN THE USA												
011527-INT	1	1.65	N/A	N/A	1.00	115/208-230	60	15.1/8.5-7.7	2" x 2"	50	UL ¹ , NSF ²	G
011528-INT	1 1/2	2.21	N/A	N/A	1.00	208-230	60	10.3-9.1	2" x 2"	53	UL ¹ , NSF ²	H
011529-INT	2	2.60	N/A	N/A	1.00	208-230	60	11.7-10.3	2" x 2"	58	UL ¹ , NSF ²	I
011530-INT	3	3.45	N/A	N/A	1.00	208-230	60	14.6-12.7	2" x 2"	62	UL ¹ , NSF ²	J
ENERGY EFFICIENT 50 HZ SINGLE-SPEED - NOT FOR SALE IN THE USA												
347926-INT	1/2	0.55	N/A	N/A	1.10	240/120	50	7.5/15.0	2" x 2"	45	—	—
347927-INT	3/4	0.83	N/A	N/A	1.10	240/120	50	7.5/15.0	2" x 2"	45	—	—
347928-INT	1	1.10	N/A	N/A	1.10	240/120	50	6.9/13.8	2" x 2"	52	—	—
347929-INT	1 1/2	1.65	N/A	N/A	1.10	240	50	7.2	2" x 2"	52	—	—
347930-INT	2	2.20	N/A	N/A	1.10	240	50	9.4	2" x 2"	55	—	—
THREE-PHASE SUPER-DUTY												
011641	1	1.65	2.9	1.10	1.65	208-230/460	60	4.9-4.5/2.3	2" x 2"	41	UL ¹ , NSF ²	G
011642	1.5	2.21	2.6	1.44	1.47	208-230/460	60	6.4-6.3/3.2	2" x 2"	43	UL ¹ , NSF ²	H
011643	2	2.60	2.5	1.61	1.30	208-230/460	60	7.5-7.2/3.6	2" x 2"	47	UL ¹ , NSF ²	I
011644	3	3.45	2.1	2.02	1.15	208-230/460	60	9.8-9.4/4.7	2" x 2"	52	UL ¹ , NSF ²	J
ACCESSORIES												
11201-0154	2 in. x 2 in. Union (2 in. NPT male x 2 in. female NPT quick connect) * Note: two required per pump (sold individually)											
357156	Cover/Lid, Chemical Resistant, CAM & RAMP											
356198	Chemical/Salt/Ozone/Resistant EPDM & SS Seal Quick Kit											

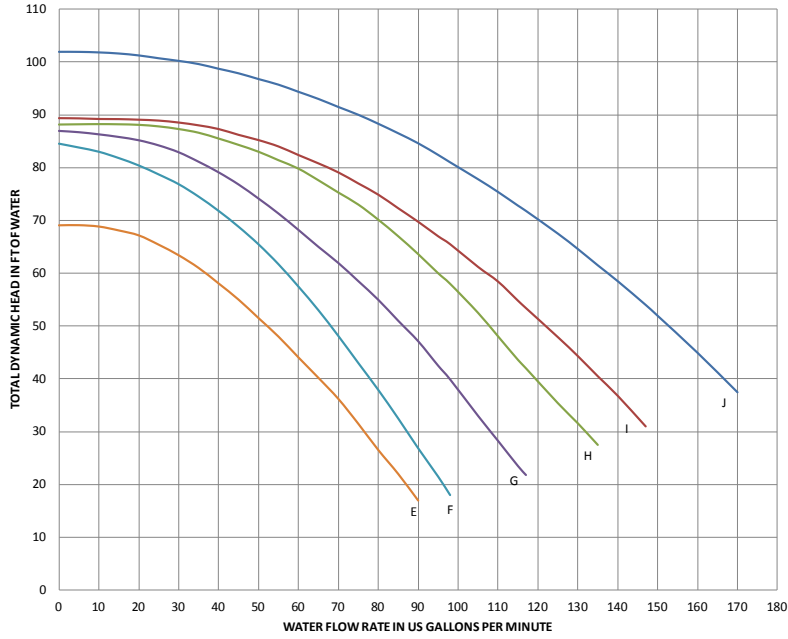
¹ 'UL' indicates that pump bears a UL mark signifying evaluation to U.S. Standards UL1081 for Permanently Connected Swimming Pool and Spa Pumps and to Canadian Standards CAN/CSA C22.2 No. 108-01 Liquid Pumps For Swimming Pools Only (Enclosure 3).

³ Product may have been evaluated to other state and local regulatory standards. Listing status may change. Always confirm status with appropriate agency if in doubt.

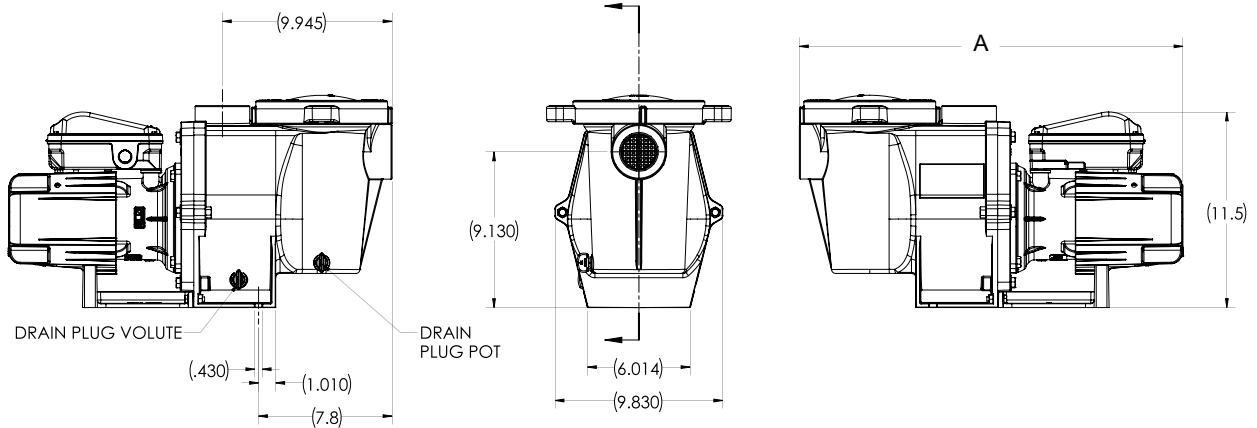
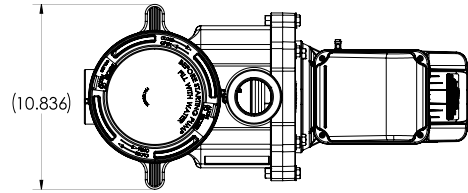
² 'NSF' indicates that pump bears a mark signifying evaluation to NSF Standard 50 For Self-Priming Centrifugal Pumps For Swimming Pools, Spas and Hot Tubs.

WHISPERFLO® HIGH PERFORMANCE PUMPS (CONT'D)

Dimensions and Performance



A- VARYING LENGTH				
HP	EE	TEFC	DOE Compliant	3-PH
0.5	24.41	—	—	—
0.75	24.41	—	—	—
1	—	21.71	—	21.5
1.1	—	—	22.5	—
1.5	—	22.16	—	21.5
2	—	22.51	—	21.81
3	—	23.21	—	22.61



See page 510–511 for replacement parts.

SUPERFLO® VST VARIABLE SPEED PUMP

TRADEGRADE



SuperFlo VST Variable Speed Pump

The SuperFlo VST Variable Speed Pump features sophisticated technology in a simple to operate pump. Designed for the practical pool owner, the SuperFlo VST pump has a dependable and robust Totally Enclosed Fan Cooled motor and can adapt to 115V to 230V and 50hz or 60hz power with no special wiring or switching.

Featured Highlights

- TEFC motor, can adapt to 115V to 230V or 50hz or 60hz power with no special wiring or switching
- Improved mechanical seal for long, dependable performance
- Simple, easy-to-use digital control keypad with three programmable speeds, override capability and a real-time, 24 hour clock
- Easy to access electrical connections for simple installation
- Ideal for new and standard pool pump replacement for pools requiring up to a 1.5 HP pump
- SuperFlo pumps by Pentair are a direct replacement for the Hayward® Super Pump®*

CALIFORNIA PROPOSITION 65 WARNING
 ⚠️ **WARNING:** Cancer and Reproductive Harm.
 ⚠️ **AVERTISSEMENT:** Peut Causer le Cancer et des Dommages au Système Reproducteur.
 ⚠️ **ADVERTENCIA:** Cáncer y Daño Reproductivo.
 www.p65warnings.ca.gov. PNE02174

Ordering Information

Product	THP	WEF	HHP	Service Factor	Voltage	Frequency	Current	Port Size	Weight	Certifications ³
SUPERFLO VST VARIABLE SPEED										
342002	2.2	9.0	1.08	1.0	115/208-230	50/60	13.6/8.0-7.1	1.5" x 1.5"	53	UL ¹ , NSF ²
ACCESSORIES										
356324Z	External Control Wiring Kit									
356197	Chemical/Salt/Ozone Resistant EPDM & SS Seal Quick Kit (for pumps Mfg. before June 2019)									

¹ 'UL' indicates that pump bears a UL mark signifying evaluation to U.S. Standards UL1081 for Permanently Connected Swimming Pool and Spa Pumps and to Canadian Standards CAN/CSA C22.2 No. 108-01 Liquid Pumps For Swimming Pools Only (Enclosure 3). UL 60730 Compliant.

² 'NSF' indicates that pump bears a mark signifying evaluation to NSF Standard 50 For Self-Priming Centrifugal Pumps For Swimming Pools Only.

³ Product may have been evaluated to other state and local regulatory standards. Listing status may change. Always confirm status with appropriate agency if in doubt.

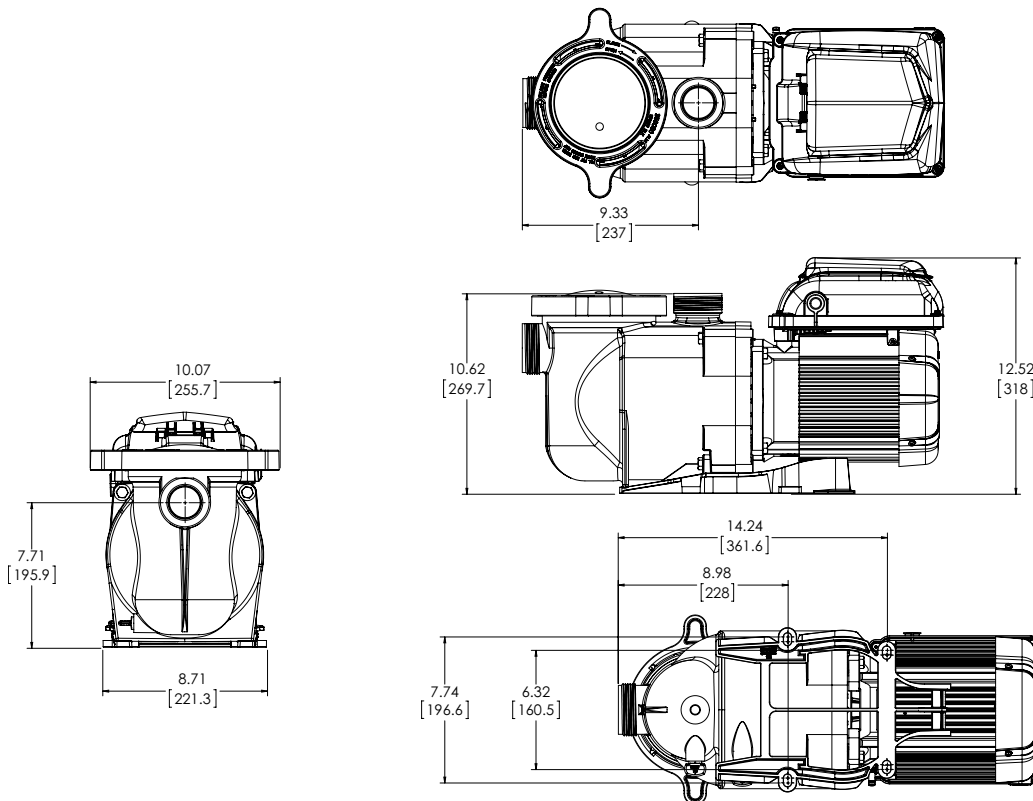
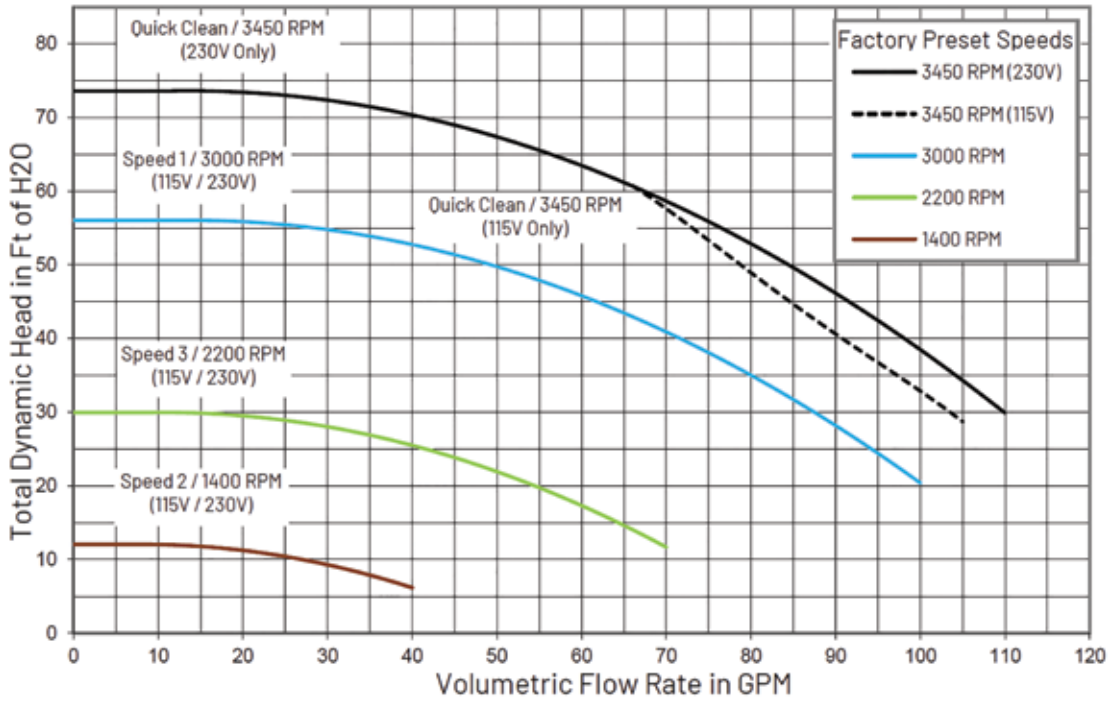
* Hayward® and Super Pump® are registered trademarks of Hayward Industries, Inc.

See page 516–517 for replacement parts.

SUPERFLO® VST

VARIABLE SPEED PUMP (CONT'D)

Dimensions and Performance



SUPERFLO®

HIGH PERFORMANCE PUMPS

TRADEGRADE



SuperFlo Pump

SuperFlo pumps feature thick walled body parts, a heavy-duty 56 square flange motor, and highly engineered hydraulics. SuperFlo pumps' silent running capability and small footprint allow it to easily drop into a compact equipment pad.

Featured Highlights

- SuperFlo pump by Pentair Aquatic Systems is a direct replacement for the Hayward® Super Pump® *
- Extremely quiet operation
- Unionized fittings included (1-1/2 in. internal slip and 2 in. external slip)
- Cam and Ramp™ Lid
- Heavy-duty, high service factor 56 square flange motor
- Integral volute and pot reduce hydraulic noise

Ordering Information

Product	Rated HP	THP	WEF	HHP	Service Factor	Voltage	Frequency	Current	Port Size	Weight	Certifications ³	Curve Key
DOE COMPLIANT SINGLE-SPEED TEFC												
348190	N/A	1.1	3.6	0.63	1.00	115/208-230	60	10.5/5.4-5.4	1.5" x 1.5"	50	UL ¹ , NSF ²	B
ENERGY EFFICIENT SINGLE-SPEED - NOT FOR SALE IN THE USA												
348021-INT	1/2	0.95	N/A	N/A	1.00	115/208-230	60	8.8/4.5-4.4	1.5" x 1.5"	44	UL ¹ , NSF ²	A
348022-INT	3/4	0.95	N/A	N/A	1.00	115/208-230	60	8.8/4.5-4.4	1.5" x 1.5"	44	UL ¹ , NSF ²	A
TEFC SINGLE-SPEED - NOT FOR SALE IN THE USA												
348144-INT	1	1.65	N/A	N/A	1.00	115/208-230	60	15.1/8.5-7.7	1.5" x 1.5"	50	UL ¹ , NSF ²	C
348145-INT	1-1/2	2.21	N/A	N/A	1.00	208-230	60	10.3-9.1	1.5" x 1.5"	53	UL ¹ , NSF ²	D
348146-INT	2	2.60	N/A	N/A	1.00	208-230	60	11.7-10.3	1.5" x 1.5"	58	UL ¹ , NSF ²	E
ENERGY EFFICIENT 50 HZ SINGLE-SPEED - NOT FOR SALE IN THE USA												
340094-INT	1/2	0.55	N/A	N/A	1.10	240/120	50	7.5/15.0	1.5" x 1.5"	45	—	—
340095-INT	3/4	0.83	N/A	N/A	1.10	240/120	50	7.5/15.0	1.5" x 1.5"	45	—	—
340096-INT	1	1.10	N/A	N/A	1.10	240/120	50	6.9/13.8	1.5" x 1.5"	52	—	—
340097-INT	1 1/2	1.65	N/A	N/A	1.10	240	50	7.2	1.5" x 1.5"	52	—	—
340098-INT	2	2.20	N/A	N/A	1.10	240	50	9.4	1.5" x 1.5"	55	—	—
ACCESSORIES												
351157	Union Kit – 1-1/2 in. Internal Slip x 2 in. External Slip (includes 2 unions as pictured above)											
356197	Chemical/Salt/Ozone Resistant EPDM & SS Seal Quick Kit											

¹ 'UL' indicates that pump bears a UL mark signifying evaluation to U.S. Standards UL1081 for Permanently Connected Swimming Pool and Spa Pumps and to Canadian Standards CAN/CSA C22.2 No. 108-01 Liquid Pumps For Swimming Pools Only (Enclosure 3).

² 'NSF' indicates that pump bears a mark signifying evaluation to NSF Standard 50 For Self-Priming Centrifugal Pumps For Swimming Pools Only.

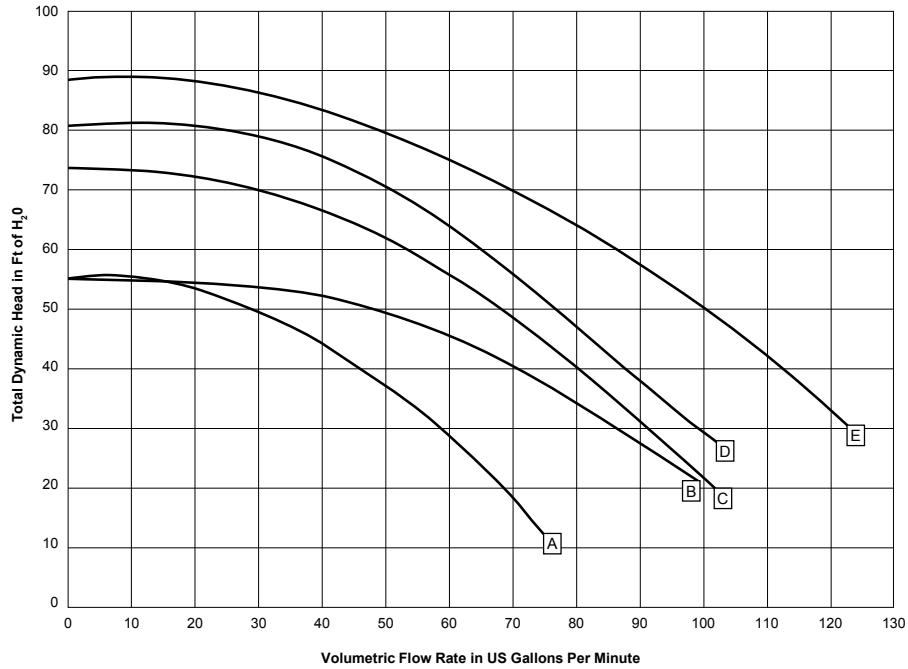
³ Product may have been evaluated to other state and local regulatory standards. Listing status may change. Always confirm status with appropriate agency if in doubt.

* Hayward® and Super Pump® are registered trademarks of Hayward Industries, Inc.

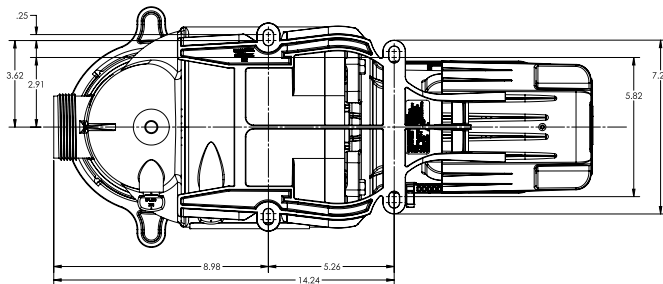
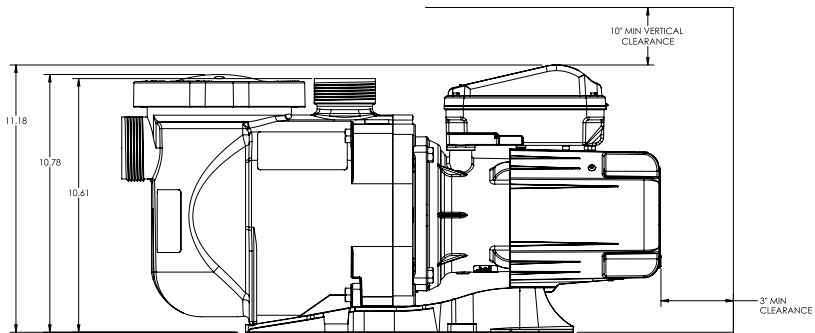
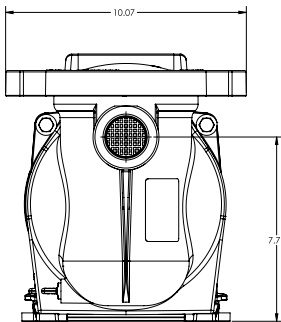
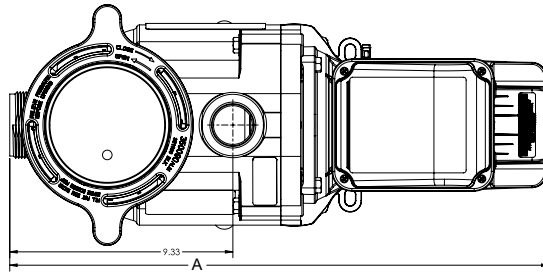
SUPERFLO®

HIGH PERFORMANCE PUMPS (CONT'D)

Dimensions and Performance



A- VARYING LENGTH			
HP	EE	TEFC	DOE Compliant
0.5	24.64	—	—
0.75	24.64	—	—
1	—	22	—
1.1	—	—	22.55
1.5	—	22.45	—
2	—	22.9	—



CALIFORNIA PROPOSITION 65 WARNING

⚠ **WARNING:** Cancer and Reproductive Harm.
 ⚠ **AVERTISSEMENT:** Peut Causer le Cancer et des Dommages au Système Reproducteur.
 ⚠ **ADVERTENCIA:** Cáncer y Daño Reproductivo.

www.p65warnings.ca.gov

See page 520–521 for replacement parts.



INTELLIPRO3®

VARIABLE SPEED AND FLOW POOL PUMP

TRADEGRADE



Optional touchscreen for more flexible control.

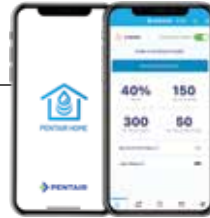


IntelliPro3 3.0 HP Variable Speed & Flow Pump

IntelliPro3 1.5 HP Variable Speed & Flow Pump

Featured Highlights

- Proprietary flow technology maintains the pool's optimal flow
- Easy control via the Pentair Home app or optional touchscreen
- Up to 90% energy savings*
- New motor, drive and hydraulics
- Optional onboard automation
- Easy setup and remote updates



Pentair Home app: pool owners can access the pool anytime, anywhere.



Pentair Pro app: ability to control and remotely monitor.

This pump combines true set-it-and-forget-it patented flow technology paired with smart connectivity of the Pentair Home app. The proprietary combination of variable speed plus auto-regulated flow means all good things flow from the IntelliPro3—for your customers and for your business. Small pool or big, this pump is a simple, smart, worry-free way to give pool owners the effortless, inviting pool experience they expect.

Ordering Information

PART #	DESCRIPTION	THP	WEF	Maximum Input		Full Load	Port Size (NPT)	Weight	Certification ³
				Voltage	Frequency				
INTELLIFLO3 VARIABLE SPEED AND FLOW POOL PUMP									
013075	IntelliPro3 VSF 3.0 HP*	3	7.1	208V-230V	50 Hz or 60 Hz	12.4-11.2 Amps	2" x 2" or 2.5" x 2.5" or (optional) 3" x 3"	55 lbs	UL ¹ , NSF ²
013076	IntelliPro3 VSF 3.0 HP with relay board*	3	7.1	208V-230V	50 Hz or 60 Hz	12.4-11.2 Amps	2" x 2" or 2.5" x 2.5" or (optional) 3" x 3"	55 lbs	UL ¹ , NSF ²
013077	IntelliPro3 VSF 3.0 HP with touchscreen*	3	7.1	208V-230V	50 Hz or 60 Hz	12.4-11.2 Amps	2" x 2" or 2.5" x 2.5" or (optional) 3" x 3"	55 lbs	UL ¹ , NSF ²
013078	IntelliPro3 VSF 3.0 HP with touchscreen and relay board*	3	7.1	208V-230V	50 Hz or 60 Hz	12.4-11.2 Amps	2" x 2" or 2.5" x 2.5" or (optional) 3" x 3"	55 lbs	UL ¹ , NSF ²
INTELLIFLO3 VARIABLE SPEED AND FLOW POOL PUMP WITH TOUCH SCREEN HMI									
013065	IntelliPro3 VSF 1.5 HP*	1.5	9.4	115/208-230V	50 Hz or 60 Hz	12/6.4-5.9 Amps	1.5" x 1.5" or 2" x 2"	48 lbs	UL ¹ , NSF ²
013066	IntelliPro3 VSF 1.5 HP with relay board*	1.5	9.4	115/208-230V	50 Hz or 60 Hz	12/6.4-5.9 Amps	1.5" x 1.5" or 2" x 2"	48 lbs	UL ¹ , NSF ²
013067	IntelliPro3 VSF 1.5 HP with touchscreen*	1.5	9.4	115/208-230V	50 Hz or 60 Hz	12/6.4-5.9 Amps	1.5" x 1.5" or 2" x 2"	48 lbs	UL ¹ , NSF ²
013068	IntelliPro3 VSF 1.5 HP with touchscreen and relay board*	1.5	9.4	115/208-230V	50 Hz or 60 Hz	12/6.4-5.9 Amps	1.5" x 1.5" or 2" x 2"	48 lbs	UL ¹ , NSF ²

¹ 'UL' indicates that pump bears a UL mark signifying evaluation to U.S. Standards UL1081 for Permanently Connected Swimming Pool and Spa Pumps and to Canadian Standards CAN/CSA C22.2 No. 108-01 Liquid Pumps For Swimming Pools Only (Enclosure 3).

² 'NSF' indicates that pump bears a mark signifying evaluation to NSF Standard 50 For Self-Priming Centrifugal Pumps For Swimming Pools, Spas and Hot Tubs.

³ Product may have been evaluated to other state and local regulatory standards. Listing status may change. Always confirm status with appropriate agency if in doubt.

*Savings based on variable speed pump compared to a single-speed pump running 12 hours per day at an average of \$0.16 per kWh in a 20,000 gallon pool. Actual savings may vary based on local utility rates, pool size, pump run time, pump horsepower, pump rpm, plumbing size and length, pump model, service factor and other hydraulic factors. Individual Weighted Energy Factor (WEF) scores and savings may vary by model.

CALIFORNIA PROPOSITION 65 WARNING

⚠️ **WARNING:** Cancer and Reproductive Harm.
 ⚠️ **AVERTISSEMENT:** Peut Causer le Cancer et des Dommages au Système Reproducteur.
 ⚠️ **ADVERTENCIA:** Cáncer y Daño Reproductivo.

www.p65warnings.ca.gov. PH201711

INTELLIPRO3® (CONT'D)

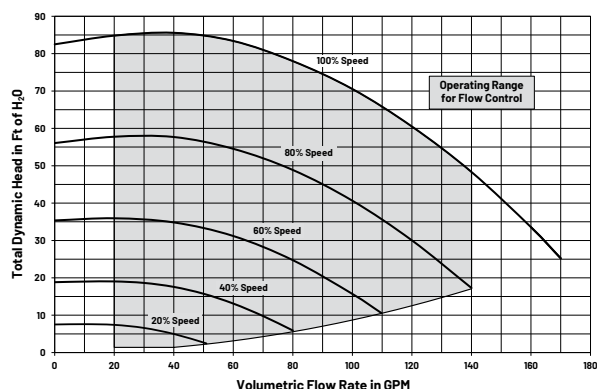
VARIABLE SPEED AND FLOW POOL PUMP

Ordering Information

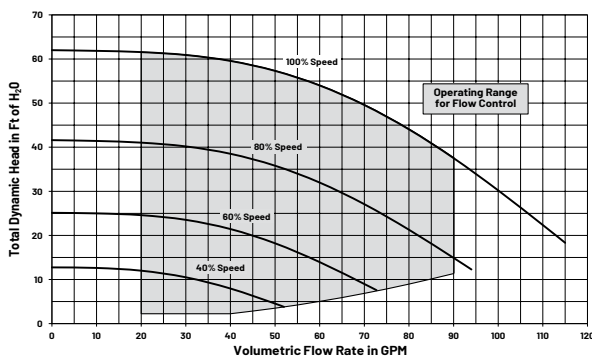
PART #	DESCRIPTION
INTELLIPRO3 ADD ONS	
356348Z	IntelliPro3 VSF universal touchscreen add on
356365Z	IntelliPro3 VSF optional universal relay board kit
410009	2.5" Sweep Elbow Pump Kit
410029	3" Union Kit for 3 HP Pumps
357831Z	Retrofit Riser Base Kit for 1.5 HP Models—IntelliFlo and WhisperFlo Models
357832Z	Retrofit Riser Base Kit for 1.5 HP Models—IntelliPro, Max-E-Pro, and Challenger Models
357833Z	Retrofit Riser Base Kit for 3.0 HP Models—IntelliPro, Max-E-Pro, and Challenger Models

Dimensions and Performance

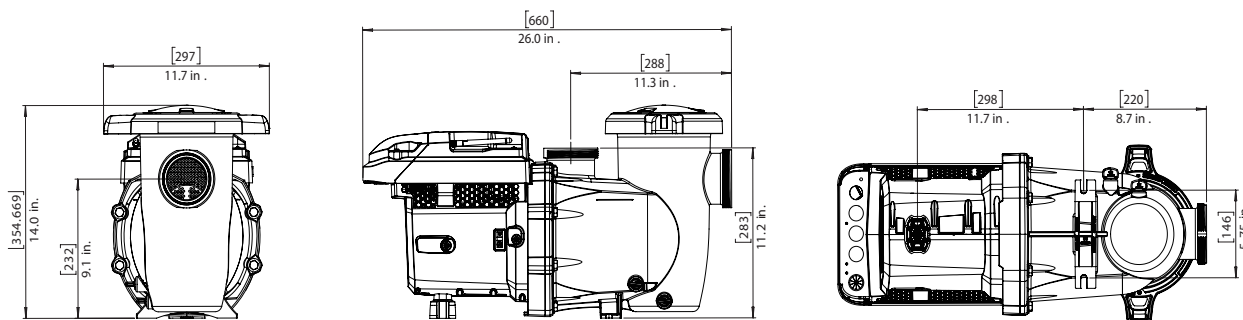
Pump Performance Curves (3 HP Models)



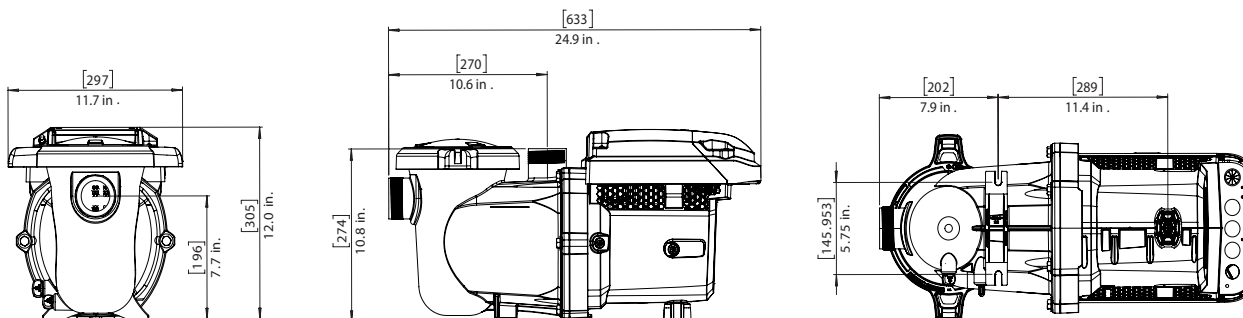
Pump Performance Curves (1.5 HP Models)



Pump Dimensions (3 HP Models)



Pump Dimensions (1.5 HP Models)



See page 522 for replacement parts.

INTELLIPRO® VS+SVRS

HIGH PERFORMANCE PUMPS



IntelliPro VS+SVRS
Variable Speed Pump

Patent Information: www.pentair.com/patents

IntelliPro pumps combine variable speed technology, onboard digital intelligence and permanent magnet motors (used in hybrid cars) to reduce pump-related energy costs by up to 90%.* The IntelliPro VS+SVRS pump models include a built-in Safety Vacuum Release System that detects drain blockage and automatically shuts the pump off.

CALIFORNIA PROPOSITION 65 WARNING

⚠️ **WARNING:** Cancer and Reproductive Harm.
 ⚠️ **AVERTISSEMENT:** Peut Causer le Cancer et des Dommages au Système Reproducteur.
 ⚠️ **ADVERTENCIA:** Cáncer y Daño Reproductivo.
www.p65warnings.ca.gov PA 201514

Featured Highlights

- Ability to program exact pump speeds for specific operations – filtering, heating, cleaning, spa jets, water features and more
- SVRS complies with Virginia Graeme Baker Safety Act
- Built-in diagnostics helps protect the IntelliPro pump from the most common causes of premature failure – overheating, freezing, and voltage irregularities.
- Includes priming protection. No SVRS calibrations needed. Built-in SVRS cannot be turned off.
- Safety lock-out feature (password protected) prevents pump speed settings from being changed by unauthorized personnel
- Ability to set minimum and maximum speeds so pump will only operate within the ranges set to help assure suitable operation for a longer life
- Compatible with Pentair Automation Systems
- Compliant with the current ASME A112.19.17 standard for Safety Vacuum Release Systems (SVRS)

Ordering Information

Product	Description	THP	WEF	HHP	Service Factor	Voltage	Frequency	Current	Port Size	Weight	Certifications ³
INTELLIPRO VS+ SVRS VARIABLE SPEED WITH SAFETY VACUUM RELEASE SYSTEM											
013002	IntelliPro VS+SVRS	3.95	6.9	1.88	1.0	230	50/60	16.0	2" x 2"	53	UL ¹ , NSF ²
ACCESSORIES											
521109	IntelliCom 2 - Rated 9 - 30 V DC with 4 inputs										1
350122Z	Communication Cable - 50 ft. - Included with pump										2
350250Z	SVRS KIT - Allows use of discharge check valves with SVRS pump										1
356905Z	Optional Keypad Wall Mount Kit										
356196	Chemical/Salt/Ozone Resistant EPDM & SS Seal Quick Kit										1
UNIONS											
11201-0154	2 in. x 2 in. Union (2 in. NPT male x 2 in. female NPT quick connect)										* Note: two required per pump (sold individually) 2

¹ 'UL' indicates that pump bears a UL mark signifying evaluation to U.S. Standards UL1081 for Permanently Connected Swimming Pool and Spa Pumps and to Canadian Standards CAN/CSA C22.2 No. 108-01 Liquid Pumps For Swimming Pools Only (Enclosure 3).

² 'NSF' indicates that pump bears a mark signifying evaluation to NSF Standard 50 For Self-Priming Centrifugal Pumps For Swimming Pools Only.

³ Product may have been evaluated to other state and local regulatory standards. Listing status may change. Always confirm status with appropriate agency if in doubt.

Note: Pump must be used with current collectors when installed on spas or hot tubs in Canada.

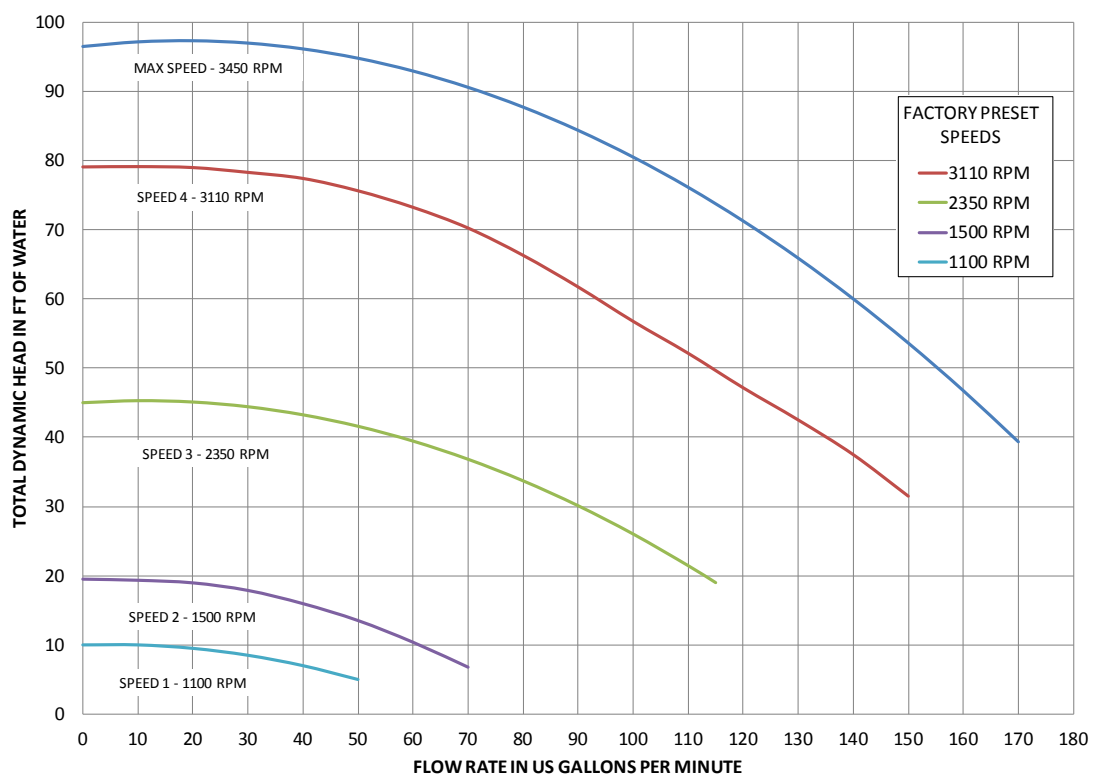
Refer to catalog page 45 for a selection of 2-Pole GFCI breakers which offer 6 milliamp personnel protection while meeting 2008 to Current NEC Standards for Pool Pumps.

• Savings based on variable speed pump compared to a single-speed pump running 12 hours per day at an average of \$0.16 per kWh in a 20,000 gallon pool. Actual savings may vary based on local utility rates, pool size, pump run time, pump horsepower, pump rpm, plumbing size and length, pump model, service factor and other hydraulic factors. Individual Weighted Energy Factor (WEF) scores and savings may vary by model.

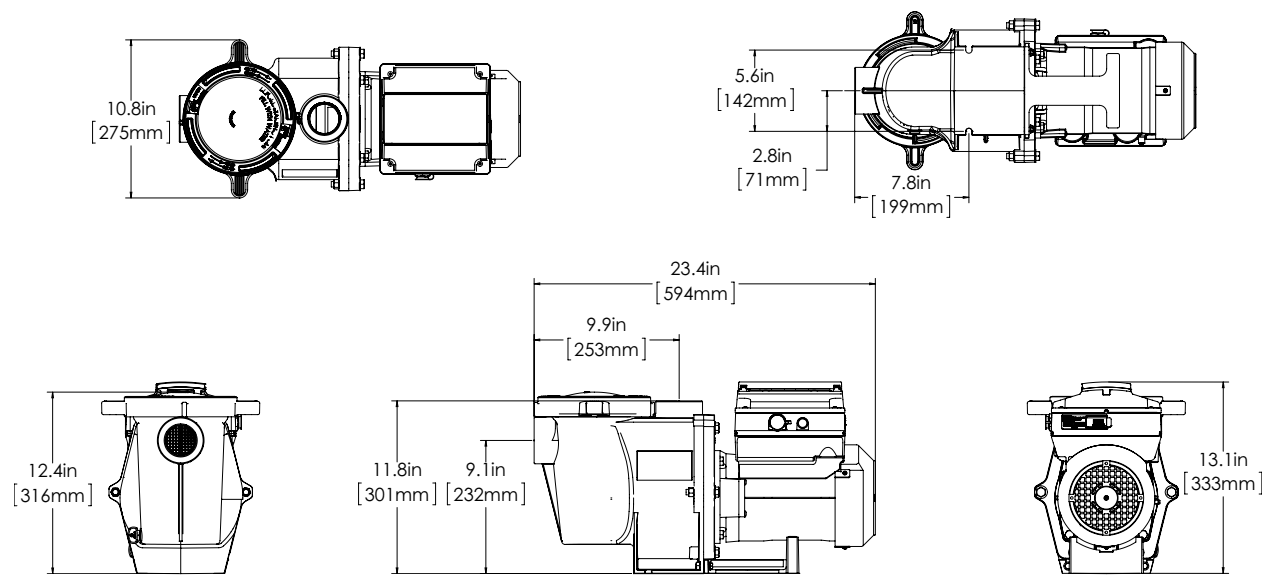
INTELLIPRO® VS+SVRS

HIGH PERFORMANCE PUMPS (CONT'D)

Dimensions and Performance



* IntelliPro VS+SVRS minimum speed is 1100 RPM



See page 527 for replacement parts.

MAX-E-PROXF[®]

HIGH PERFORMANCE PUMPS



TRADEGRADE



Max-E-ProXF Pump shown with TEFC Motor

Featured Highlights

- Totally Enclosed Fan Cooled (TEFC) motor
- Improved design
- 2" quick-disconnect plumbing union for faster disassembly and service
- 6", extra-large-capacity trap collects more debris
- Clear-view lid allows easy way to check for debris without lifting a finger
- Some models meet updated DOE minimum efficiency requirements

Developed using advanced engineering tools - CFD (Computational Fluid Dynamics) and FEA (Finite Element Analysis). The impeller design delivers high level of precision concentricity for efficiency.

* Optional riser base for Challenger pump replacements, part #400012 available separately

Ordering Information

Product	Rated HP	THP	WEF	HHP	Service Factor	Voltage	Frequency	Current	Port Size	Weight	Certifications ³	Curve Key
COMMERCIAL SINGLE-SPEED TEFC												
023034	5	5	N/A	N/A	1.00	208-230	60	20.0-18.8	2.5" x 2.5" or 3" x 3"	67	UL ¹ , NSF ²	C
TEFC SINGLE-SPEED - NOT FOR SALE IN THE USA												
023032-INT	2	2.60	N/A	N/A	1.30	208-230	60	11.1-9.5	2.5" x 2.5" or 3" x 3"	57	UL ¹ , NSF ²	B
023033-INT	3	3.45	N/A	N/A	1.15	208-230	60	14.6-12.7	2.5" x 2.5" or 3" x 3"	61	UL ¹ , NSF ²	A
THREE-PHASE SUPER-DUTY												
023017	2	2.6	N/A	N/A	1.30	208-230/460	60	7.5-7.2/3.6	2.5" x 2.5" or 3" x 3"	60	UL ¹ , NSF ²	I
023018	3	3.25	N/A	N/A	1.15	208-230/460	60	9.8-9.4/4.7	2.5" x 2.5" or 3" x 3"	60	UL ¹ , NSF ²	H
023019	5	5.00	N/A	N/A	1.00	208-230/460	60	13.9-13.1/6.6	2.5" x 2.5" or 3" x 3"	72	UL ¹ , NSF ²	G
ACCESSORIES												
400012	XF Riser Base - Simplifies installation of XF-series pumps in applications where Challenger pumps are being replaced.											

¹ 'UL' indicates that pump bears a UL mark signifying evaluation to U.S. Standards UL1081 for Permanently Connected Swimming Pool and Spa Pumps and to Canadian Standards CAN/CSA C22.2 No. 108-01 Liquid Pumps For Swimming Pools Only (Enclosure 3).

² 'NSF' indicates that pump bears a mark signifying evaluation to NSF Standard 50 For Self-Priming Centrifugal Pumps For Swimming Pools, Spas and Hot Tubs.

³ Product may have been evaluated to other state and local regulatory standards. Listing status may change. Always confirm status with appropriate agency if in doubt.

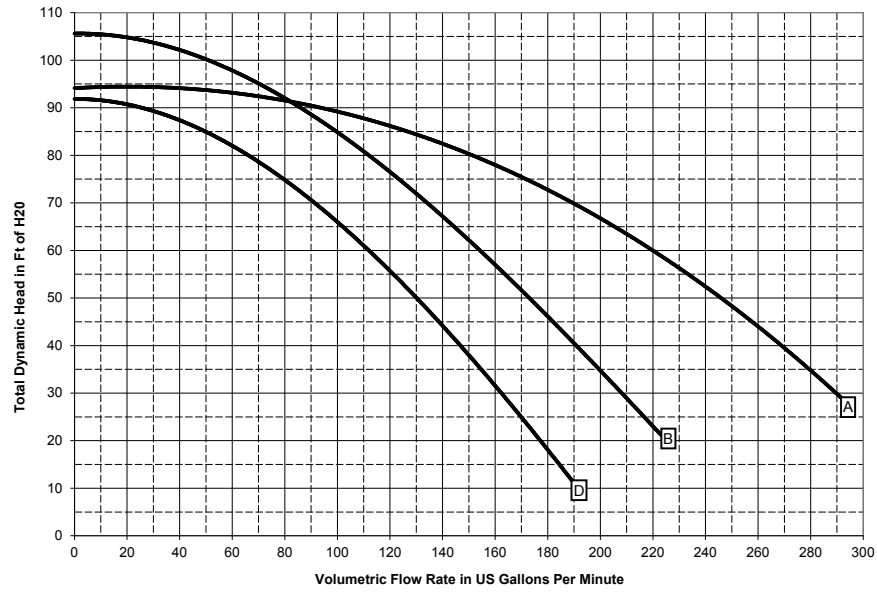
CALIFORNIA PROPOSITION 65 WARNING

WARNING: Cancer and Reproductive Harm.
AVERTISSEMENT: Peut Causer le Cancer et des Dommages au Système Reproducteur.
ADVERTENCIA: Cáncer y Daño Reproductivo.
www.p65warnings.ca.gov

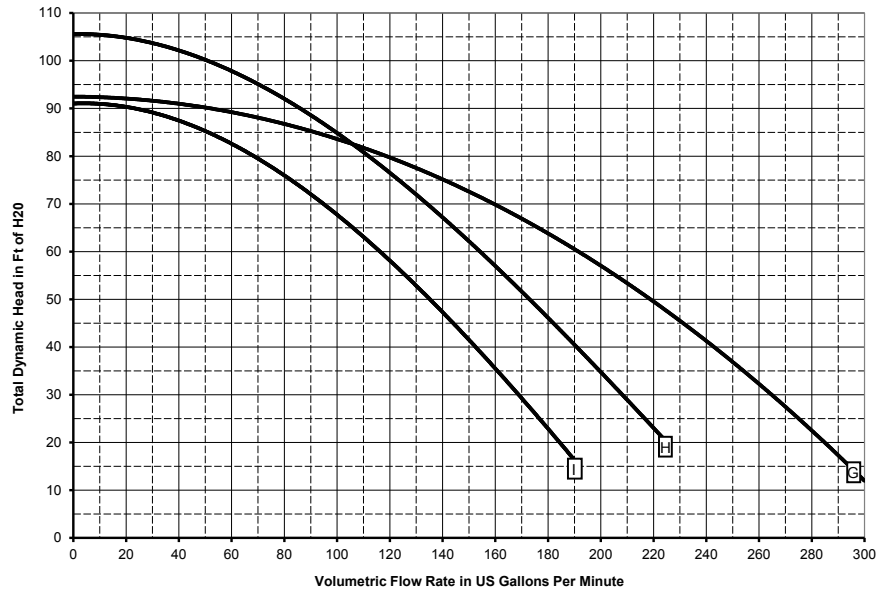
MAX-E-PROXF[®]

HIGH PERFORMANCE PUMPS (CONT'D)

1 & 2-Speed
Performance
Curve

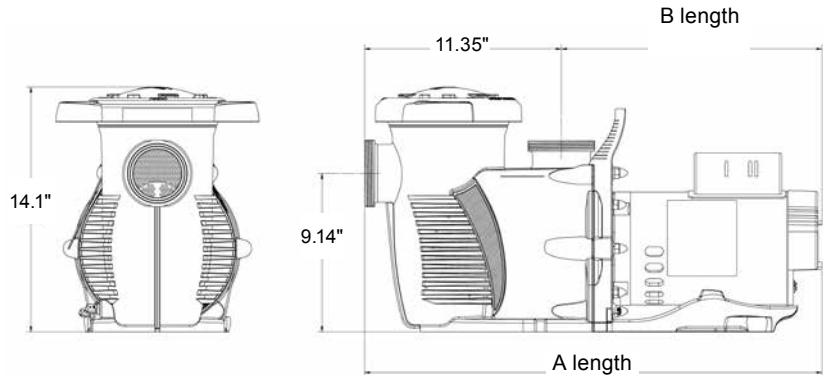


3 Phase
Performance
Curve



B-VARYING LENGTH		
HP	TEFC	3-PH
2	13.05	12.35
3	13.65	13.05

A-VARYING LENGTH		
HP	TEFC	3-PH
2	24.4	23.7
3	25	24.4



See page 529–530 for replacement parts.

MAX-E-PRO®

HIGH-EFFICIENCY POOL/SPA PUMPS



TRADEGRADE



Max-E-Pro Pump shown with TEFC Motor

Featured Highlights

- Typical Installation – Inground pools, pool/spa combinations, inground spas, fountains and water features
- Easy-to-Install – 2 in. ports include external and internal threads for more plumbing options
- Impeller Manufactured with PPO Resin – Withstands tough water environments
- EDPM Rubber Shaft Seal – Stands up to harsh environments
- Self-lubricating Lid O-ring – Does not require lubricant

CALIFORNIA PROPOSITION 65 WARNING

⚠️ **WARNING:** Cancer and Reproductive Harm.
 ⚠️ **AVERTISSEMENT:** Peut Causer le Cancer et des Dommages au Système Reproducteur.
 ⚠️ **ADVERTENCIA:** Cáncer y Daño Reproductivo.
www.p65warnings.ca.gov PR20251A

P6 & 5P6R SERIES – High efficiency, low maintenance and maximum performance—all the features demanded by today’s pool professionals. The Max-E-Pro pump has our new Quick-Lock™ Trap Cover Ring and the 2 in. ports incorporate internal and external threads. Available in single- and two-speed models, with ratings from 1/2 to 3 HP. Built with quality construction using a durable one-piece pump housing constructed of industry leading glass-reinforced composite resin. Fast cleaning with a new Quick-Lock trap cover ring permits fast access to strainer basket. Large see-through lid makes it simple to check for debris. A strong, sturdy, specially-designed base dampens sound and vibration.

Ordering Information

Product	Rated HP	THP	WEF	HHP	Service Factor	Voltage	Frequency	Current	Port Size	Weight	Certifications ³	Curve Key
DOE COMPLIANT SINGLE-SPEED TEFC												
348185	N/A	1.1	3.5	0.65	1.00	115/208-230	60	10.5/5.4-5.4	2" x 2"	50	UL ¹ , NSF ²	B
ENERGY EFFICIENT SINGLE-SPEED - NOT FOR SALE IN THE USA												
P6E6C-204L-INT	1/2	0.95	N/A	N/A	1.00	115/208-230	60	11/5.5	2" x 2"	44	UL ¹ , NSF ²	A
P6E6D-205L-INT	3/4	1.25	N/A	N/A	1.00	115/208-230	60	13.8/6.9	2" x 2"	44	UL ¹ , NSF ²	C
TEFC SINGLE-SPEED - NOT FOR SALE IN THE USA												
348150-INT	1	1.65	N/A	N/A	1.00	115/208-230	60	15.1/8.5-7.7	2" x 2"	50	UL ¹ , NSF ²	D
348151-INT	1-1/2	2.21	N/A	N/A	1.00	208-230	60	10.3-9.1	2" x 2"	53	UL ¹ , NSF ²	E
348152-INT	2	2.60	N/A	N/A	1.00	208-230	60	11.7-10.3	2" x 2"	58	UL ¹ , NSF ²	F
348153-INT	3	3.45	N/A	N/A	1.00	208-230	60	14.6-12.7	2" x 2"	62	UL ¹ , NSF ²	G
ENERGY EFFICIENT 50 HZ SINGLE-SPEED - NOT FOR SALE IN THE USA												
5P6R6D-209-INT	1/2	0.55	N/A	N/A	1.10	240/120	50	12.6/6.1	2" x 2"	45	—	I
5P6R6E-210-INT	3/4	0.83	N/A	N/A	1.10	240/120	50	15.4/7.7	2" x 2"	45	—	J
5P6R6F-211-INT	1	1.10	N/A	N/A	1.10	240/120	50	19.4/9.7	2" x 2"	52	—	K
5P6R6G-212-INT	1-1/2	1.65	N/A	N/A	1.10	240	50	10.5	2" x 2"	52	—	L
5P6R6H-213-INT	2	2.20	N/A	N/A	1.10	240	50	13.9	2" x 2"	55	—	M

MAX-E-PRO®

HIGH-EFFICIENCY POOL/SPA PUMPS (CONT'D)

Ordering Information

Product	Rated HP	THP	WEF	HHP	Service Factor	Voltage	Frequency	Current	Port Size	Weight	Certifications ³	Curve Key
THREE-PHASE SUPER-DUTY												
345076	1	1.65	*	*	1.65	208-230/460	60	4.9-4.5/2.3	2" x 2"	41	UL ¹ , NSF ²	D
345077	1-1/2	2.21	*	*	1.47	208-230/460	60	6.4-6.3/3.2	2" x 2"	43	UL ¹ , NSF ²	E
345078	2	2.60	*	*	1.30	208-230/460	60	7.5-7.2/3.6	2" x 2"	47	UL ¹ , NSF ²	F
345079	3	3.45	*	*	1.15	208-230/460	60	9.8-9.4/4.7	2" x 2"	52	UL ¹ , NSF ²	G
THREE-PHASE SINGLE-SPEED - HIGH VOLTAGE APPLICATIONS												
P6EA6D36-204	3/4	1.12	*	*	1.50	575	60	1.2	2" x 2"	37	NSF ²	C
P6EA6E36-205	1	1.4	*	*	1.40	575	60	1.5	2" x 2"	40	NSF ²	D
P6EA6F36-206	1-1/2	1.65	*	*	1.10	575	60	1.9	2" x 2"	41	NSF ²	E
P6EA6G36-207	2	2	*	*	1.00	575	60	3.2	2" x 2"	45	NSF ²	F
P6E6H36-209	3	3.45	*	*	1.15	575	60	3.9	2" x 2"	52	NSF ²	G
THREE-PHASE 50 HZ SINGLE-SPEED - NOT FOR SALE IN THE USA												
5P6R6D3-209-INT	3/4	0.95	N/A	N/A	1.27	220-240/380-415	50	3.6/2.1	2" x 2"	38	—	I
5P6R6E3-210-INT	1	1.25	N/A	N/A	1.25	220-240/380-415	50	4.0/2.3	2" x 2"	40	—	J
5P6R6F3-211-INT	1-1/2	1.65	N/A	N/A	1.10	220-240/380-415	50	5.2/3.0	2" x 2"	47	—	K
5P6R6G3-212-INT	2	2.2	N/A	N/A	1.10	220-240/380-415	50	6.6/3.8	2" x 2"	49	—	L
5P6R6H3-213-INT	3	3	N/A	N/A	1.10	220-240/380-415	50	8.0/4.7	2" x 2"	58	—	M
ACCESSORIES												
77703-0100	2 in. Union Half x 1-1/2 in. FPT – Package Of Two											
77703-0101	2 in. Union Half x 1-1/2 in. Slip – Package Of Two											
PKG 188Z	2 in. Union Half x 2 in. Slip – Package Of Two											
PKG 189	2 in. Union Half x 2 in. FPT – Package Of Two											
356196	Chemical/Salt/Ozone Resistant EPDM & SS Seal Quick Kit											

¹ 'UL' indicates that pump bears a specific UL mark signifying evaluation to U.S. Standards UL1081 for Permanently Connected Swimming Pool and Spa Pumps and to Canadian Standards CAN/CSA C22.2 No. 108-01 Liquid Pumps For Swimming Pools And Spas. (Enclosure 3).

² 'NSF' indicates that pump bears a mark signifying evaluation to NSF Standard 50 For Self-Priming Centrifugal Pumps For Swimming Pools, Spas and Hot Tubs.

³ Product may have been evaluated to other state and local regulatory standards. Listing status may change. Always confirm status with appropriate agency if in doubt.

* WEF and HHP values will be updated at a date TBD. For product specific requests contact Pentair.

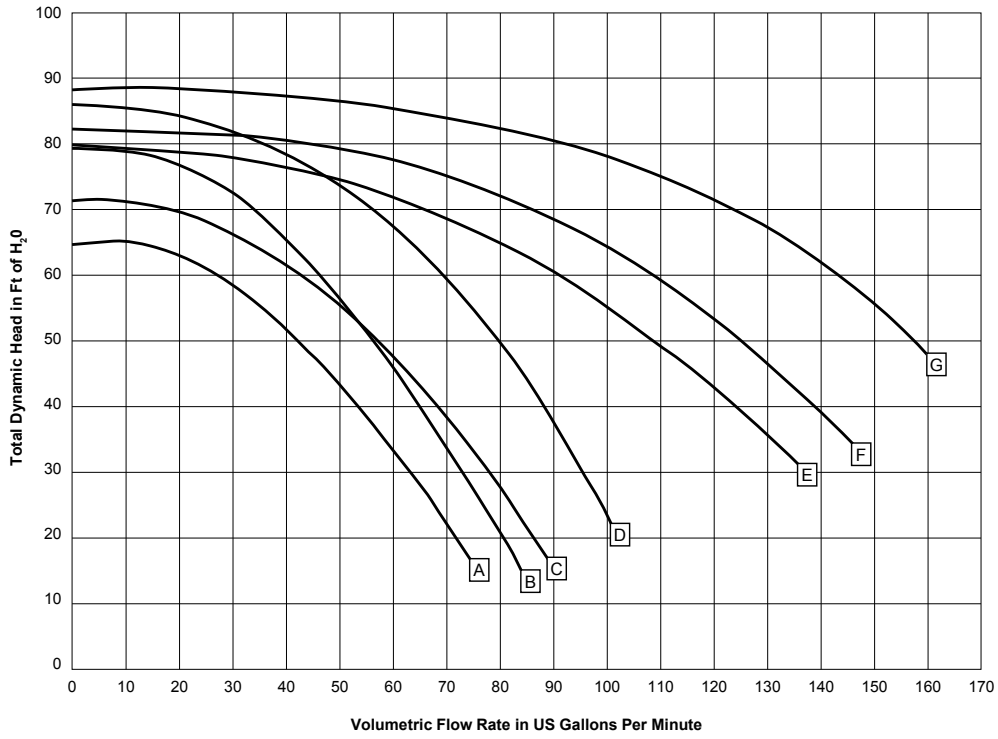
See page 532–534 for replacement parts.

MAX-E-PRO®

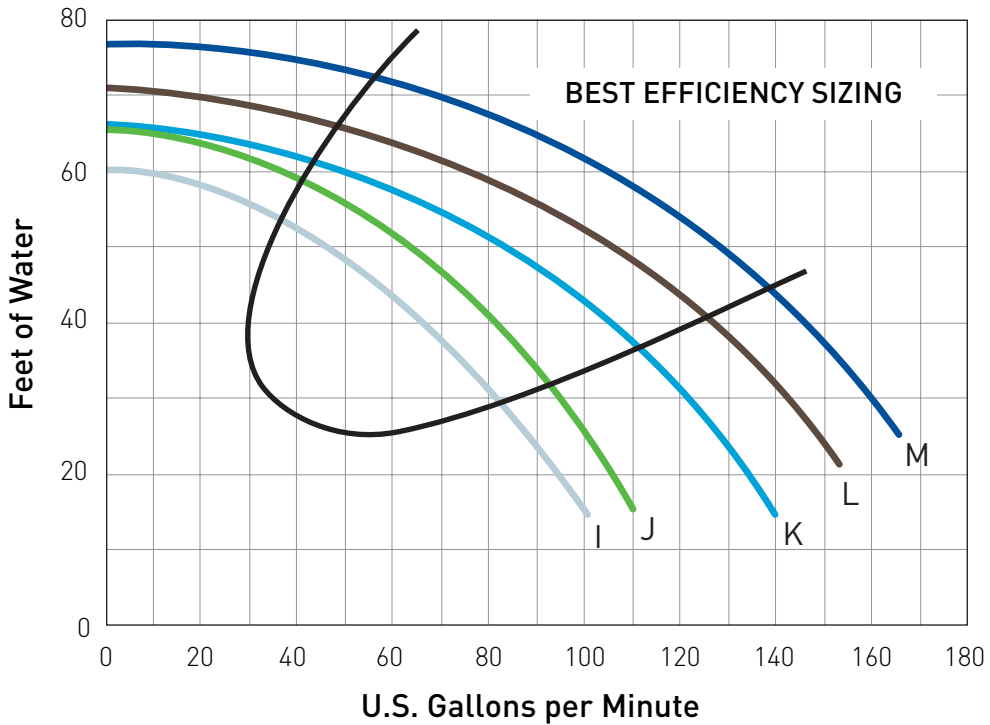
HIGH-EFFICIENCY POOL/SPA PUMPS (CONT'D)

Dimensions and Performance

60 Hz Performance Curve

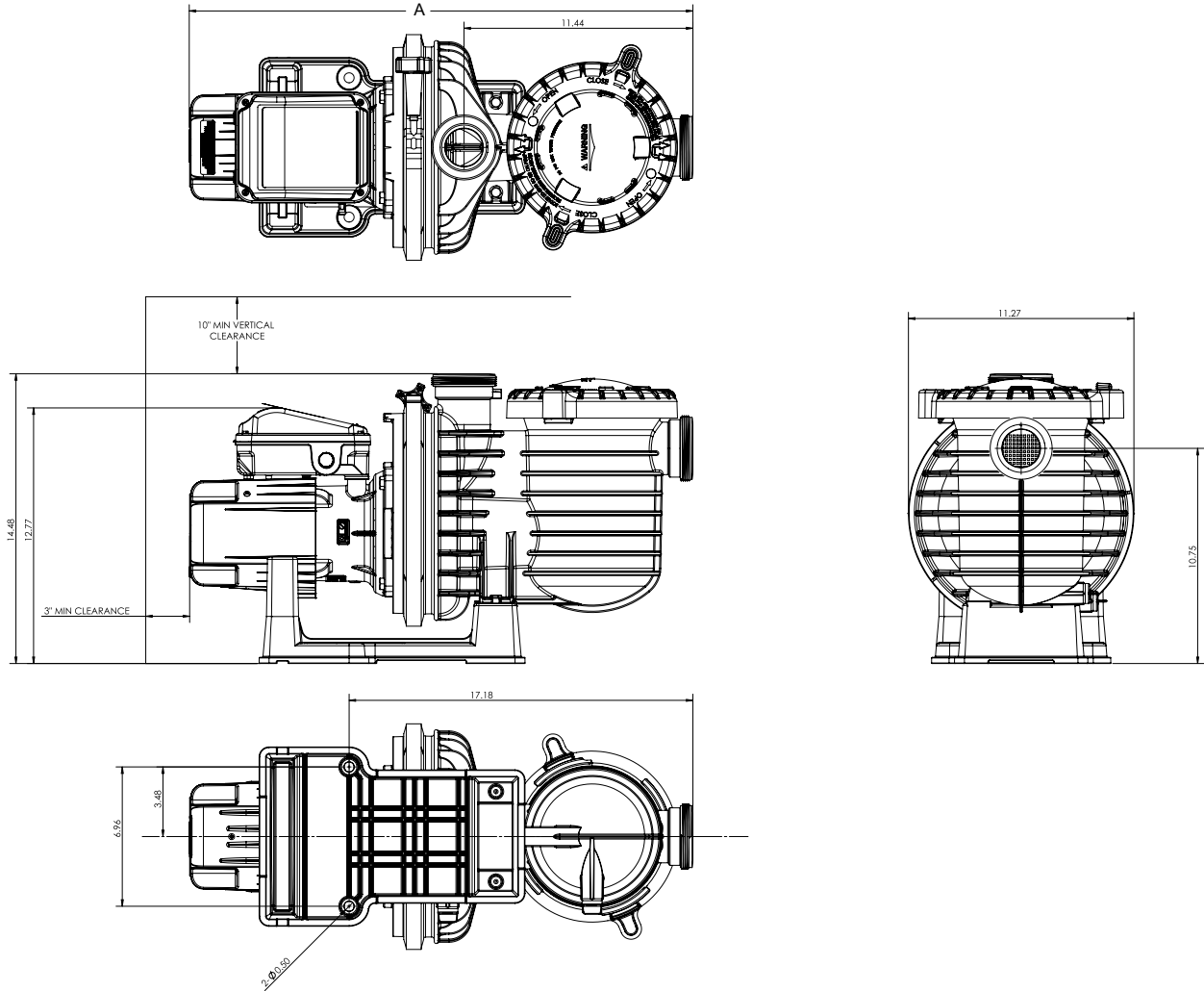


50 Hz Performance Curve



MAX-E-PRO®

HIGH-EFFICIENCY POOL/SPA PUMPS (CONT'D)



A- VARYING LENGTH					
HP	STD EFF	EE	1PH TEFC	3PH	DOE COMPLIANT
0.5	26.92	—	—	—	—
0.75	26.92	—	—	—	—
1	27.29	28.45	25.03	24.76	—
1.1	—	—	—	—	25.18
1.5	28.92	28.45	25.48	24.76	—
2	28.92	29.08	25.93	25.17	—
3	28.92	29.08	26.53	25.87	—

SUPERMAX® VS

VARIABLE SPEED PUMPS



TRADEGRADE



SuperMax VS
Variable Speed Pump

Featured Highlights

- Variable speed technology provides energy & costs savings *
- Ideal for standard pools requiring up to 1.5 hp pump
- 110/230V and 50/60 Hz capability
- Real-time clock with 24-hour memory retention
- Simple, intuitive user interface is easy to program and operate
- Easy to access electrical connections for simple installation
- Three operating speed settings plus override capability
- SuperMax pump by Pentair Aquatic Systems is a direct replacement for the Hayward® Super Pump®⁴

For pool owners who want to step-up to the energy and cost savings of variable speed technology, the SuperMax VS pump is a wise choice. SuperMax VS pump is engineered for easy installation, simple operation, and trouble-free service.

Ordering Information

Product	THP	WEF	HHP	Service Factor	Voltage	Frequency	Current	Port Size	Weight	Certifications ³	
SUPERMAX VS VARIABLE SPEED											
343001	2.2	9.0	1.08	1.0	115/208-230	50/60	13.6/8.0-7.1	1.5" x 1.5"	53	UL ¹ , NSF ²	
ACCESSORIES											
356324Z	External Control Wiring Kit										
356197	Chemical/Salt/Ozone Resistant EPDM & SS Seal Quick Kit (for pumps Mfg. before June 2019)								1		

¹ 'UL' indicates that pump bears a UL mark signifying evaluation to U.S. Standards UL1081 for Permanently Connected Swimming Pool and Spa Pumps and to Canadian Standards CAN/CSA C22.2 No. 108-01 Liquid Pumps For Swimming Pools Only (Enclosure 3). UL 60730 Compliant.

² 'NSF' indicates that pump bears a mark signifying evaluation to NSF Standard 50 For Self-Priming Centrifugal Pumps For Swimming Pools Only.

³ Product may have been evaluated to other state and local regulatory standards. Listing status may change. Always confirm status with appropriate agency if in doubt.

⁴ Hayward® and Super Pump® are registered trademarks of Hayward Industries, Inc.

*Savings based on variable speed pump compared to a single-speed pump running 12 hours per day at an average of \$0.16 per kWh in a 20,000 gallon pool. Actual savings may vary based on local utility rates, pool size, pump run time, pump horsepower, pump rpm, plumbing size and length, pump model, service factor and other hydraulic factors. Individual Weighted Energy Factor (WEF) scores and savings may vary by model.

CALIFORNIA PROPOSITION 65 WARNING

⚠ **WARNING:** Cancer and Reproductive Harm.
 ⚠ **AVERTISSEMENT:** Peut Causer le Cancer et des Dommages au Système Reproducteur.
 ⚠ **ADVERTENCIA:** Cáncer y Daño Reproductivo.

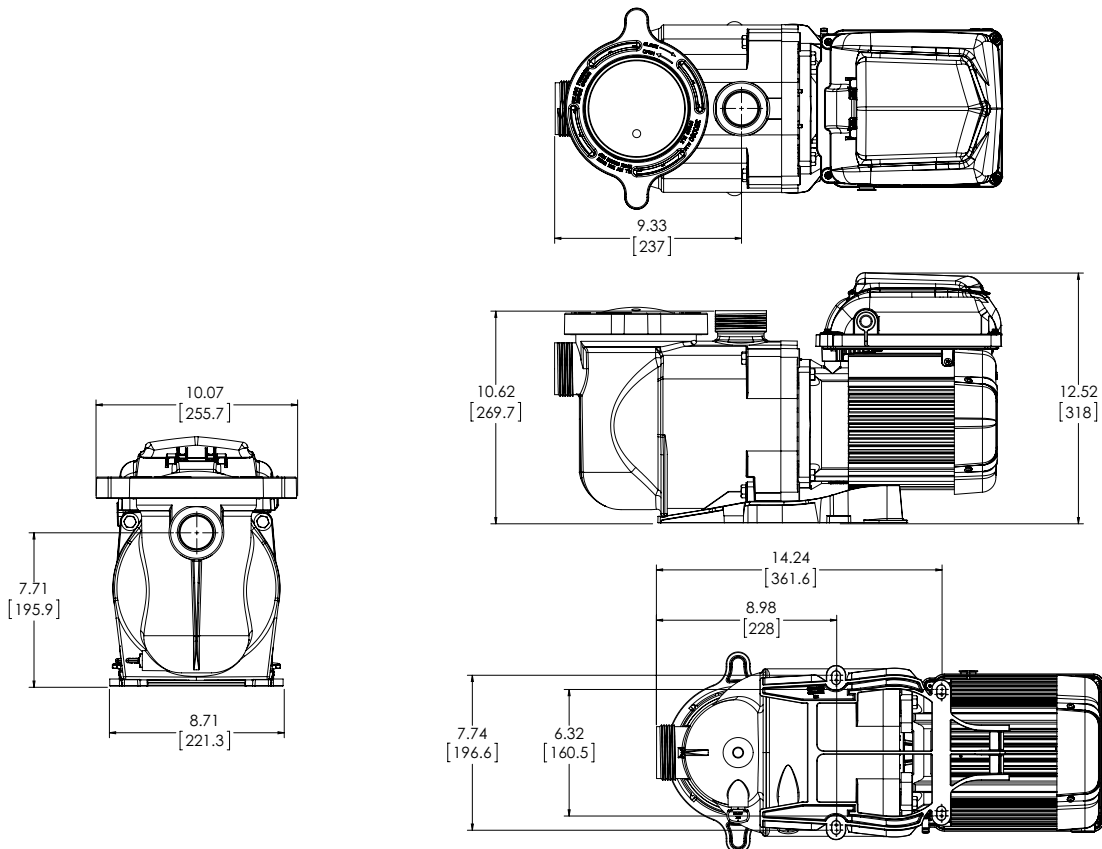
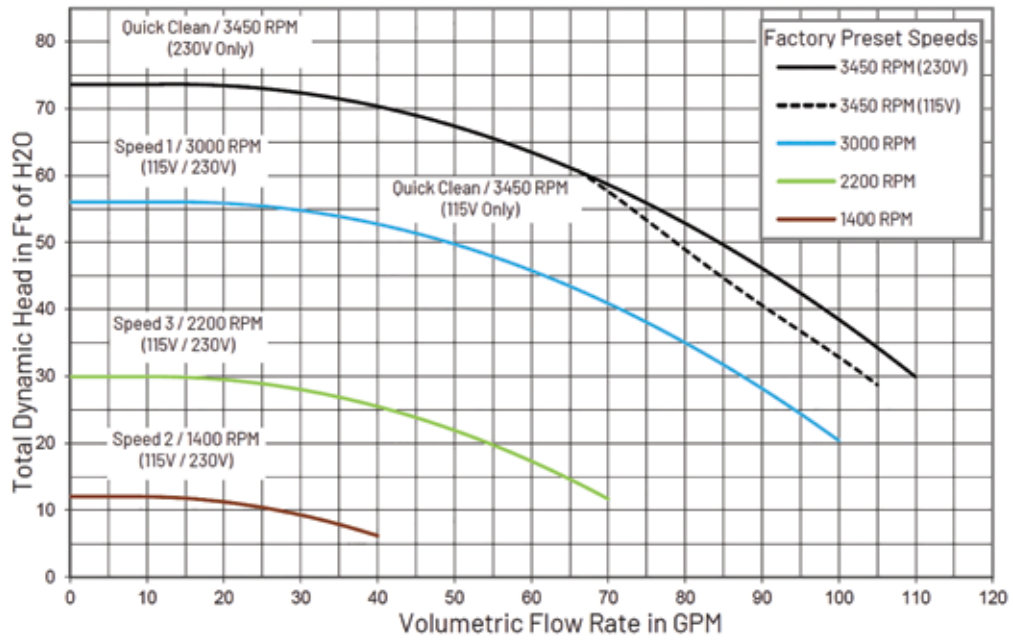
www.p65warnings.ca.gov

PH200714A

SUPERMAX® VS

VARIABLE SPEED PUMPS (CONT'D)

Dimensions and Performance



See page 516–517 for replacement parts.

SUPERMAX®

HIGH PERFORMANCE PUMPS



TRADEGRADE



SuperMax Pump
shown with TEFC Motor

The SuperMax pump features a commercial grade, 56 square flange motor for top performance in residential swimming pools. Consumers enjoy its economical performance. Pool professionals benefit from its ease of installation and reliability.

Featured Highlights

- SuperMax pump by Sta-Rite is a direct replacement for the Hayward® * Super Pump® *
- Single and two-speed models ranging from 1/2 to 2-1/2 HP
- Cam and Ramp™ Lid locks and unlocks with a simple quarter turn
- Exterior thermoplastic resin withstands temperature extremes and delivers long life
- Unionized fittings included (1-1/2 in. internal slip and 2 in. external slip)

CALIFORNIA PROPOSITION 65 WARNING
 ⚠️ WARNING: Cancer and Reproductive Harm.
 ⚠️ AVERTISSEMENT: Peut Causer le Cancer et des Dommages au Système Reproducteur.
 ⚠️ ADVERTENCIA: Cáncer y Daño Reproductivo.
www.p65warnings.ca.gov PH201714

Ordering Information

Product	Rated HP	THP	WEF	HHP	Service Factor	Voltage	Frequency	Current	Port Size	Weight	Certifications ³	Curve Key
DOE COMPLIANT SINGLE-SPEED TEFC												
348191	N/A	1.1	3.6	0.63	1.00	115/208-230	60	10.5/5.4-5.4	1.5" x 1.5"	50	UL, NSF	B
ENERGY EFFICIENT SINGLE-SPEED - NOT FOR SALE IN THE USA												
PHK2E6C-100L-INT	1/2	0.95	N/A	N/A	1.00	115/208-230	60	8.8/4.5-4.4	1.5" x 1.5"	44	UL, NSF	A
PHK2E6D-101L-INT	3/4	0.95	N/A	N/A	1.00	115/208-230	60	8.8/4.5-4.4	1.5" x 1.5"	44	UL, NSF	A
TEFC SINGLE-SPEED - NOT FOR SALE IN THE USA												
348147-INT	1	1.65	N/A	N/A	1.00	115/208-230	60	15.1/8.5-7.7	1.5" x 1.5"	50	UL, NSF	C
348148-INT	1-1/2	2.21	N/A	N/A	1.00	208-230	60	10.3-9.1	1.5" x 1.5"	53	UL, NSF	D
348149-INT	2	2.60	N/A	N/A	1.00	208-230	60	11.7-10.3	1.5" x 1.5"	58	UL, NSF	E
ENERGY EFFICIENT 50 HZ SINGLE-SPEED - NOT FOR SALE IN THE USA												
5PHK2E6C-100-INT	1/2	0.55	N/A	N/A	1.10	240/120	50	7.5/15.0	1.5" x 1.5"	45	—	—
5PHK2E6D-101-INT	3/4	0.83	N/A	N/A	1.10	240/120	50	7.5/15.0	1.5" x 1.5"	45	—	—
5PHK2E6E-102-INT	1	1.10	N/A	N/A	1.10	240/120	50	6.9/13.8	1.5" x 1.5"	52	—	—
5PHK2E6F-103-INT	1-1/2	1.65	N/A	N/A	1.10	240	50	7.2	1.5" x 1.5"	52	—	—
5PHK2E6G-104-INT	2	2.20	N/A	N/A	1.10	240	50	9.4	1.5" x 1.5"	55	—	—
ACCESSORIES												
351157	Union Kit – 1-1/2 in. Internal Slip x 2 in. External Slip - includes 2									1		
356197	Chemical/Salt/Ozone Resistant EPDM & SS Seal Quick Kit									1		

¹ 'UL' indicates that pump bears a UL mark signifying evaluation to U.S. Standards UL1081 for Permanently Connected Swimming Pool and Spa Pumps and to Canadian Standards CAN/CSA C22.2 No. 108-01 Liquid Pumps For Swimming Pools Only (Enclosure 3).

² 'NSF' indicates that pump bears a mark signifying evaluation to NSF Standard 50 For Self-Priming Centrifugal Pumps For Swimming Pools Only.

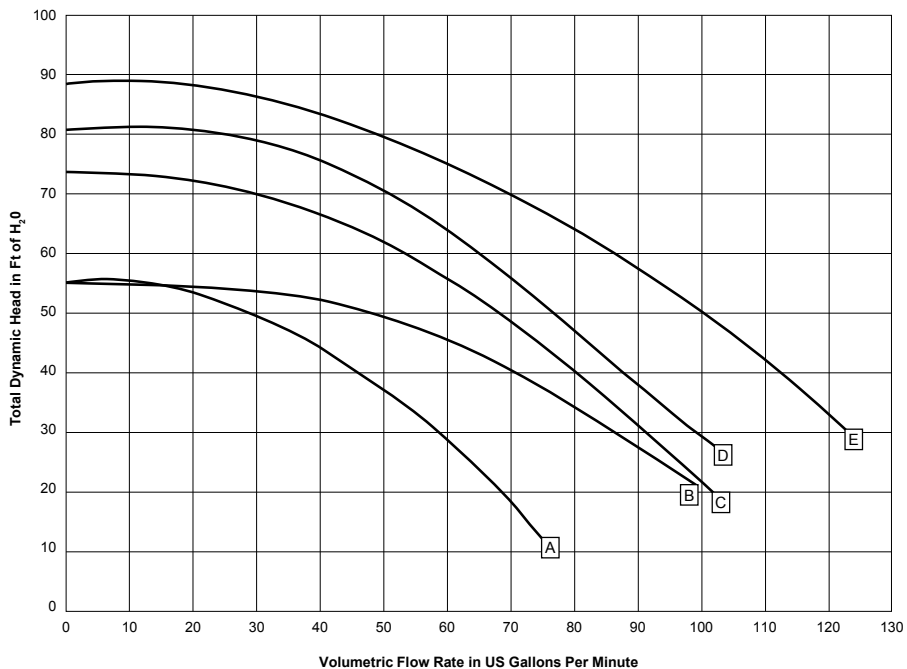
³ Product may have been evaluated to other state and local regulatory standards. Listing status may change. Always confirm status with appropriate agency if in doubt.

* Hayward® and Super Pump® are registered trademarks of Hayward Industries, Inc.

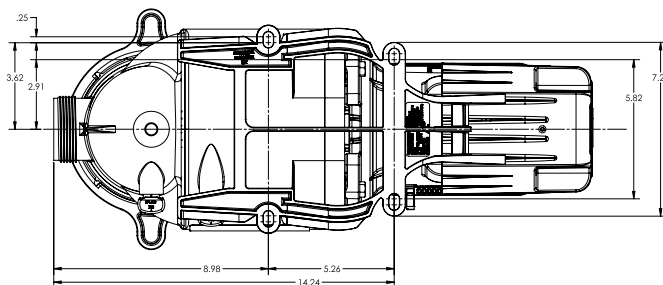
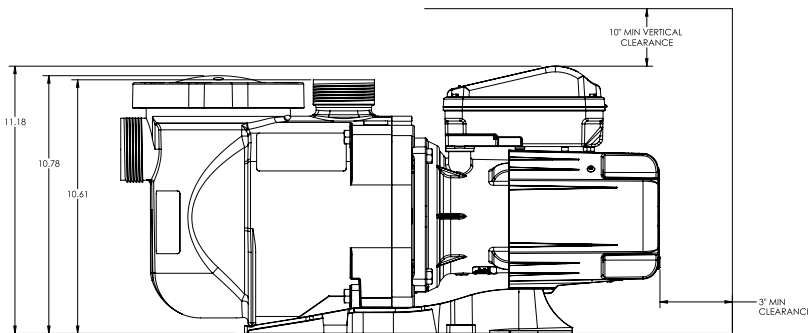
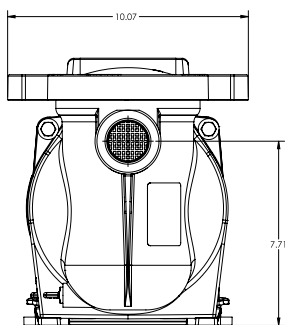
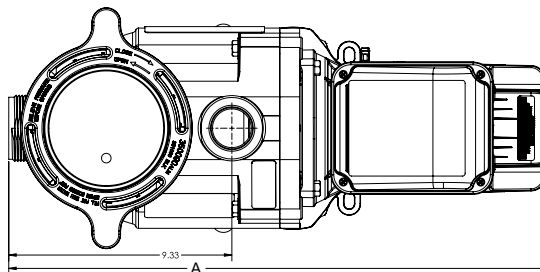
SUPERMAX[®]

HIGH PERFORMANCE PUMPS (CONT'D)

Dimensions and Performance



A- VARYING LENGTH			
HP	EE	TEFC	DOE Compliant
0.5	24.64	—	—
0.75	24.64	—	—
1	—	22	—
1.1	—	—	22.55
1.5	—	22.45	—
2	—	22.9	—



See pages 535–537 for replacement parts.

OPTIFLO® PUMP

FOR ABOVEGROUND POOLS



OptiFlo Pump

OptiFlo pumps feature a revolutionary design that delivers dependable high flow performance. The OptiFlo pump features a 48 frame-thru bolt motor, easy access to change the discharge port position, service the impeller, and an innovative Cam and Ramp lid.

Featured Highlights

- Large strainer basket
- Cam and Ramp™ Lid lock
- See-through lid
- Unionized discharge port connection
- Easy to service
- User-friendly removable drain plugs
- Metal base on motor
- Available with 3 ft. cord, with twist lock or standard plug

Ordering Information

Product	Discharge	Voltage	Full load amps	HP	Cord	Pipe	Weight
DOE COMPLIANT SINGLE-SPEED TEFC - CORD W/ STANDARD PLUG							
348196	Vertical	115	11.0	1	3' STD	1.5"	28.5
348200	Horizontal	115	11.0	1	3' STD	1.5"	28.5
DOE COMPLIANT SINGLE-SPEED TEFC - CORD W/ TWIST LOCK PLUG							
348195	Vertical	115	11.0	1	3' TWL	1.5"	28.5
348199	Horizontal	115	11.0	1	3' TWL	1.5"	28.5
DOE COMPLIANT SINGLE-SPEED TEFC - NO CORD							
348198	Vertical	115	11.0	1	None	1.5"	28.5
348202	Horizontal	115	11.0	1	None	1.5"	28.5
CSA SINGLE-SPEED TEFC - CORD W/ STANDARD PLUG - NOT FOR SALE IN THE USA							
348197	Vertical	115	11.0	1	25' STD	1.5"	28.5
348201	Horizontal	115	11.0	1	25' STD	1.5"	28.5
SINGLE-SPEED 230V - NO CORD - NOT FOR SALE IN THE USA							
340088	Vertical	230	4.6	3/4	None	1.5"	23.5
340089	Vertical	230	6.0	1	None	1.5"	23.0
340090	Vertical	230	8.0	1.5	None	1.5"	28.9

Note: TWL = Twist Lock Cord, STD = Standard Cord

CALIFORNIA PROPOSITION 65 WARNING

⚠ **WARNING:** Cancer and Reproductive Harm.
 ⚠ **AVERTISSEMENT:** Peut Causer le Cancer
 et des Dommages au Système Reproducteur.
 ⚠ **ADVERTENCIA:** Cáncer y Daño Reproductivo.
www.p65warnings.ca.gov

PH 202114

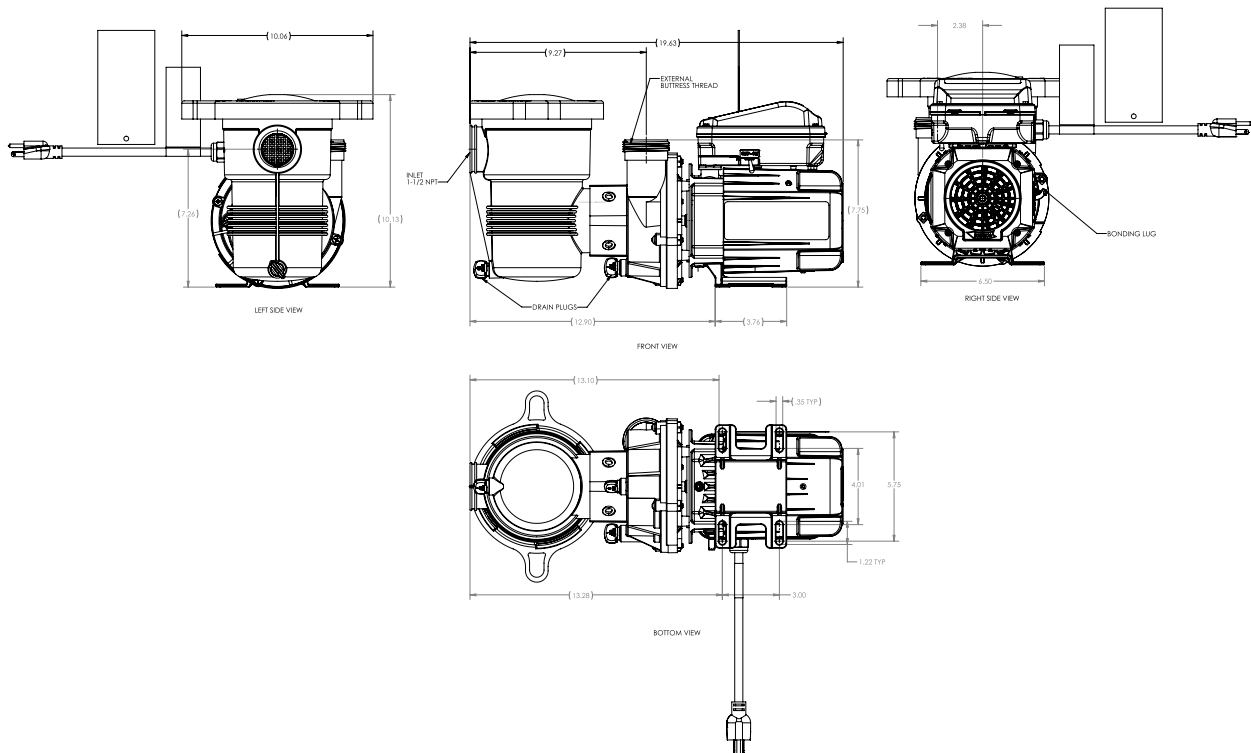
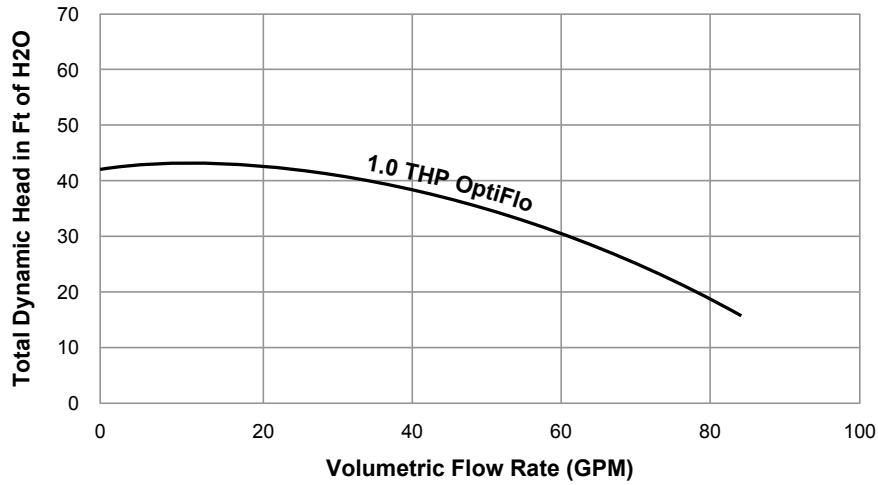
OPTIFLO® PUMP

FOR ABOVEGROUND POOLS (CONT'D)

Dimensions and Performance



OptiFlo Pool Pump Performance Curves



See page 539 for replacement parts.

STA-RITE® OPTIFLO® PUMP

FOR ABOVEGROUND POOLS



Sta-Rite OptiFlo Pool Pump

Sta-Rite OptiFlo Pump high-flow performance supports a quieter operation. Constructed of Sta-Rite's rugged thermoplastic resin. Large 5-1/2 in. capacity trap and an all-weather, smooth-running motor.

Featured Highlights

- User-friendly removable drain plugs
- Cam and Ramp™ Lid lock
- Typical Installation – Ideal for aboveground pools
- Years of Service – Stands tough against temperature and weather extremes
- External Threads – Discharge port features external threads for quick-connect unions

CALIFORNIA PROPOSITION 65 WARNING

⚠ **WARNING:** Cancer and Reproductive Harm.
 ⚠ **AVERTISSEMENT:** Peut Causer le Cancer et des Dommages au Système Reproducteur.
 ⚠ **ADVERTENCIA:** Cáncer y Daño Reproductivo.
www.p65warnings.ca.gov

Ordering Information

Product	Discharge	Voltage	Full load amps	HP	Cord	Pipe	Weight
DOE COMPLIANT SINGLE-SPEED TEFC - CORD W/ STANDARD PLUG							
348196SR	Vertical	115	11.0	1	3' STD	1.5"	28.5
348200SR	Horizontal	115	11.0	1	3' STD	1.5"	28.5
DOE COMPLIANT SINGLE-SPEED TEFC - CORD W/ TWIST LOCK PLUG							
348195SR	Vertical	115	11.0	1	3' TWL	1.5"	28.5
348199SR	Horizontal	115	11.0	1	3' TWL	1.5"	28.5
DOE COMPLIANT SINGLE-SPEED TEFC - NO CORD							
348198SR	Vertical	115	11.0	1	None	1.5"	28.5
348202SR	Horizontal	115	11.0	1	None	1.5"	28.5
CSA SINGLE-SPEED TEFC - CORD W/ STANDARD PLUG - NOT FOR SALE IN THE USA							
348197SR	Vertical	115	11.0	1	25' STD	1.5"	28.5
348201SR	Horizontal	115	11.0	1	25' STD	1.5"	28.5

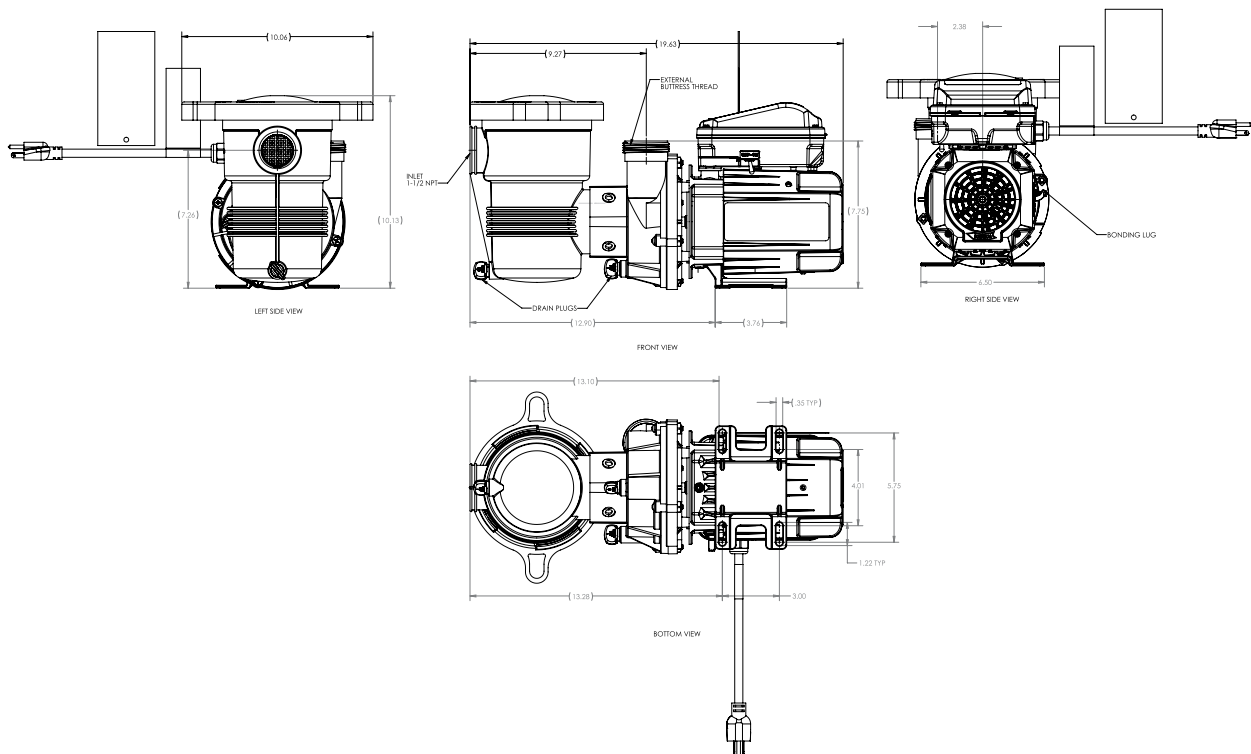
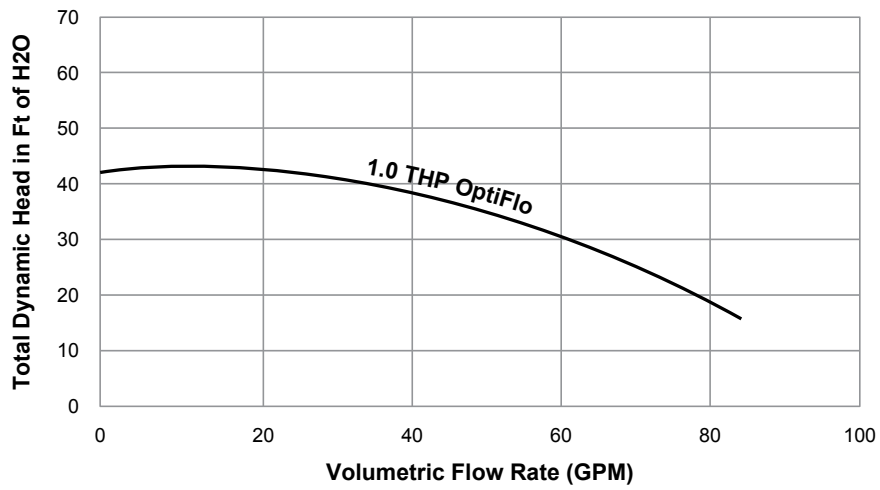
STA-RITE® OPTIFLO® PUMP

FOR ABOVEGROUND POOLS (CONT'D)

Dimensions and Performance



OptiFlo Pool Pump Performance Curves



See page 539 for replacement parts.

WHISPERFLOXF[®] VS COMMERCIAL VARIABLE SPEED PUMP

TRADEGRADE



WhisperFloXF VS Pump

It's economical, combined motor/drive solution for HMAc (hotel, motel, apartment, condominium) or large residential installations, providing sophisticated, energy-saving pump technology without the high costs typically associated with independent pump/external drive setups.

Featured Highlights

- Integrated 5HP motor/drive; no expensive external drive required
- Versatile power input capability; runs off a wide range of single- or three-phase power
- Speed or flow control for greater efficiency and pool performance*
- External control capability through automation systems or relays
- Intuitive programming and operation
- Meets commercial codes and agency requirements

Ordering Information

Product	THP	WEF	HHP	Service Factor	Voltage	Frequency	Current	Port Size	Weight	Certifications ³
WHISPERFLOXF VARIABLE SPEED										
022035	5.0	5.0	2.09	1.00	Single-Phase: 208-230/277-460 Three-Phase: 208-460	50/60	Single-Phase: 20-21/17-11 Three-Phase: 13-6	2.5" x 2.5" or 3" x 3"	95	UL ¹ , NSF ²
ACCESSORIES										
356324Z	RS-485 Automation Wiring Kit, 25 ft.									
400012	XF Riser Base - Simplifies installation of XF-series pumps in application where Challenger Pumps are being replaced.									

*When connected to Pentair's inline 4-20mA flowmeter for 3" plumbing (P/N 97014-4203KIT—sold separately), or similar 4-20mA flowmeters, this pump is capable of maintaining a constant flow based on the needs of your pool system. To connect the flowmeter and pump, the digital input cable provided in the External Control Wiring Kit (P/N 356324Z sold separately) is required.

¹ 'UL' indicates that pump bears a UL mark signifying evaluation to U.S. Standards UL1081 for Permanently Connected Swimming Pool and Spa Pumps and to Canadian Standards CAN/CSA C22.2 No. 108-01 Liquid Pumps For Swimming Pools Only (Enclosure 3).

² 'NSF' indicates that pump bears a mark signifying evaluation to NSF Standard 50 For Self-Priming Centrifugal Pumps For Swimming Pools, Spas and Hot Tubs.

³ Product may have been evaluated to other state and local regulatory standards. Listing status may change. Always confirm status with appropriate agency if in doubt.

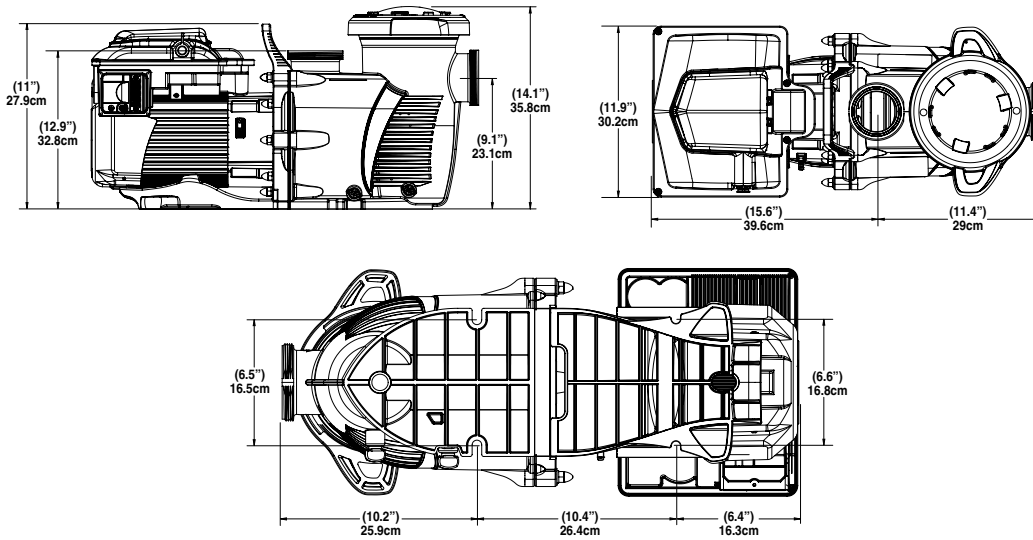
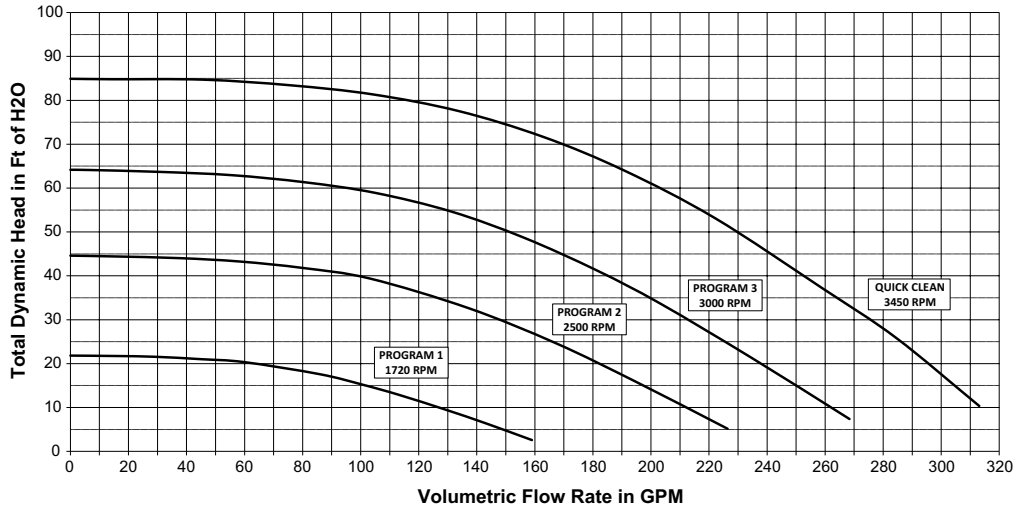
CALIFORNIA PROPOSITION 65 WARNING

⚠ **WARNING:** Cancer and Reproductive Harm.
 ⚠ **AVERTISSEMENT:** Peut Causer le Cancer et des Dommages au Système Reproducteur.
 ⚠ **ADVERTENCIA:** Cáncer y Daño Reproductivo.

www.p65warnings.ca.gov. PH202114

WHISPERFLOXF VS COMMERCIAL VARIABLE SPEED PUMP (CONT'D)

Dimensions and Performance



See page 541 for replacement parts.

MAX-E-PROXF[®] VS COMMERCIAL VARIABLE SPEED PUMP



TRADEGRADE



Max-E-ProXF VS Pump

Variable speed pump that runs on single-phase or three-phase power. It's economical, combined motor/drive solution for HMAC (hotel, motel, apartment, condominium) or large residential installations, providing sophisticated, energy-saving pump technology without the high costs typically associated with independent pump/external drive setups.

Featured Highlights

- Integrated 5HP motor/drive; no expensive external drive required
- Versatile power input capability; runs off a wide range of single- or three-phase power
- Speed or flow control for greater efficiency and pool performance*
- External control capability through automation systems or relays
- Intuitive programming and operation
- Meets commercial codes and agency requirements

Ordering Information

Product	THP	WEF	HHP	Service Factor	Voltage	Frequency	Current	Port Size	Weight	Certifications ³
MAX-E-PROXF VARIABLE SPEED										
023035	5.0	5.0	2.09	1.00	Single-Phase: 208-230/277-460 Three-Phase: 208-460	50/60	Single-Phase: 20-21/17-11 Three-Phase: 13-6	2.5" x 2.5" or 3" x 3"	95	UL ¹ , NSF ²
ACCESSORIES										
356324Z	RS-485 Automation Wiring Kit, 25 ft.									
400012	XF Riser Base - Simplifies installation of XF-series pumps in application where Challenger Pumps are being replaced.									

*When connected to Pentair's inline 4-20mA flowmeter for 3" plumbing (P/N 97014-4203KIT—sold separately), or similar 4-20mA flowmeters, this pump is capable of maintaining a constant flow based on the needs of your pool system. To connect the flowmeter and pump, the digital input cable provided in the External Control Wiring Kit (P/N 356324Z sold separately) is required.

¹ 'UL' indicates that pump bears a UL mark signifying evaluation to U.S. Standards UL1081 for Permanently Connected Swimming Pool and Spa Pumps and to Canadian Standards CAN/CSA C22.2 No. 108-01 Liquid Pumps For Swimming Pools Only (Enclosure 3).

² 'NSF' indicates that pump bears a mark signifying evaluation to NSF Standard 50 For Self-Priming Centrifugal Pumps For Swimming Pools, Spas and Hot Tubs.

³ Product may have been evaluated to other state and local regulatory standards. Listing status may change. Always confirm status with appropriate agency if in doubt.

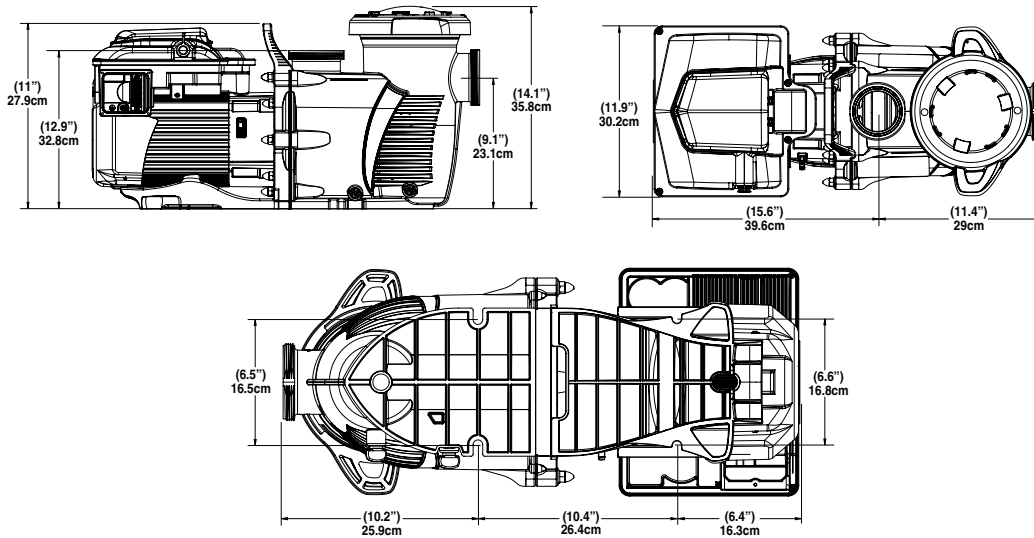
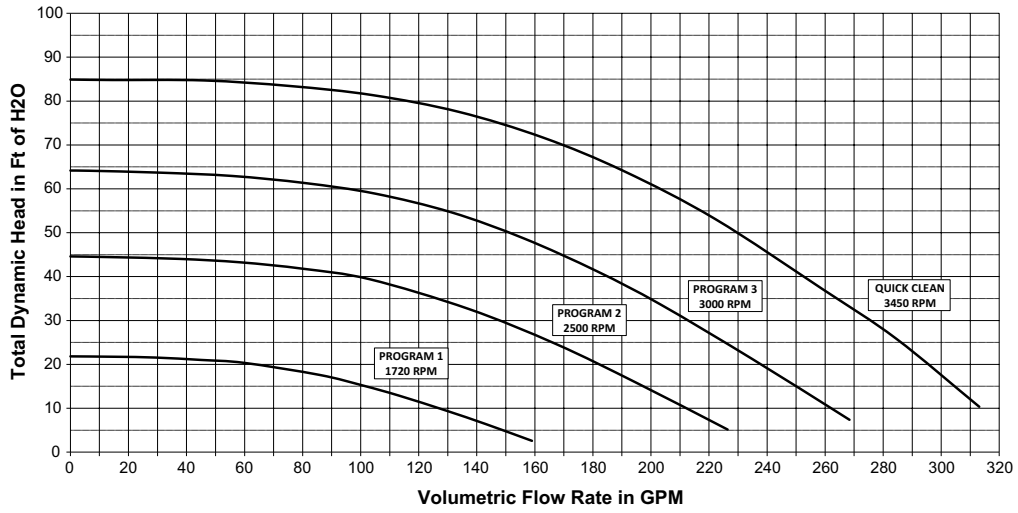
CALIFORNIA PROPOSITION 65 WARNING

▲ **WARNING:** Cancer and Reproductive Harm.
▲ **AVERTISSEMENT:** Peut Causer le Cancer et des Dommages au Système Reproducteur.
▲ **ADVERTENCIA:** Cáncer y Daño Reproductivo.

www.p65warnings.ca.gov
PH.202114

MAX-E-PROXF[®] VS COMMERCIAL VARIABLE SPEED PUMP (CONT'D)

Dimensions and Performance



See page 541 for replacement parts.

COMMERCIAL ACU DRIVE™ XS

VARIABLE FREQUENCY DRIVE



Featured Highlights

- Save up to 60% or more on pump's electricity usage*
- "Right-size" your pump to the exact flow required
- Helps save energy with constant flow as the filters get dirty (with optional flow sensor)
- Off-hour flow management capability
- Does not blow corrosive filter-room air across the circuitry
- High efficiency up to 98% – adjusts drive input voltage for best efficiency point
- Eliminates need for motor starters
- Integrated disconnects, fusing and optional bypasses
- 2-step ramps (Soft Start Feature)
- Real-time clock for time based functions
- Great match for 3-phase models of EQ Series® Pumps
- Overload trip protection helps protect motor and Acu Drive XS VFD Drive from Voltage Spikes and phase unbalance
- Can connect to an IntelliTouch® Automation System
- 3-year manufacturers warranty, Optional 6-year warranty available
- Optional: Factory Start-up upgrade available
- Indoor & Outdoor-rated enclosures
- One drive type for the full power range
- For use with 3 phase pumps only
- Acu Drive XS VFD Drives with single phase input power available

The Acu Drive XS VFD Drive offers built-in intelligence for increased performance in all aquatic pump applications. Specified for energy and cost savings, the Acu Drive XS VFD Drive offers a fast return on investment. The Acu Drive XS VFD Drive allows the pump to run at its most efficient point on the curve. Preventative maintenance costs may drop due to motor protection, motor soft start, and a significant decrease in water hammer protecting the shaft and impeller. Up to an additional 5% savings due to the Acu Drive XS VFD Drive's ability to balance power phase and harmonic suppression. Built with powerful standard and optional features specifically designed for energy optimization, the Acu Drive XS VFD Drive is perfectly matched with the full line of Pentair Commercial pumps.

CALIFORNIA PROPOSITION 65 WARNING

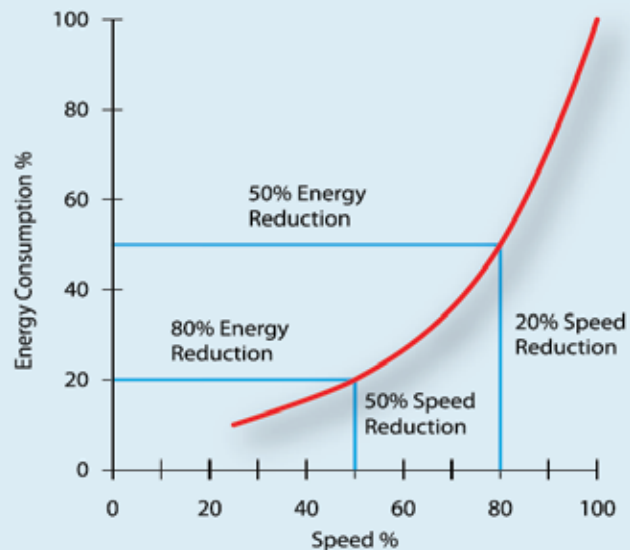
⚠ **WARNING:** Cancer and Reproductive Harm.
 ⚠ **AVERTISSEMENT:** Peut Causer le Cancer et des Dommages au Système Reproducteur.
 ⚠ **ADVERTENCIA:** Cáncer y Daño Reproductivo.
www.p65warnings.ca.gov



Affinity Law

Significant Energy Savings are achieved with even a modest reduction in speed

Ideal Energy Consumption at Varying Speed



*Savings based on single speed pool pumps traditionally configured without VFD's, up to 20% larger than actual required flow and head pressure. Actual savings may vary based on local utility rates, pool size, pump run time, pump horsepower, pump RPM, plumbing size and length, pump model, service factor and other hydraulic factors.

COMMERCIAL ACU DRIVE™ XS

VARIABLE FREQUENCY DRIVE (CONT'D)

Ordering Information

3-PHASE INCLUDES FUSED DISCONNECT, BATTERY BACKUP, & PENTAIR SMART START*						
Horse Power (HP)	NEMA-12 RATED (IP 54/55)			NEMA-4X RATED (IP 66)		
	200-240 VAC	360-480 VAC	525-600 VAC	200-240 VAC	360-480 VAC	525-600 VAC
3	AD030X-2303-N12	AD030X-4603-N12	AD030X-5753-N12	AD030X-2303-N4X	AD030X-4603-N4X	AD030X-5753-N4X
5	AD050X-2303-N12	AD050X-4603-N12	AD050X-5753-N12	AD050X-2303-N4X	AD050X-4603-N4X	AD050X-5753-N4X
7-1/2	AD075X-2303-N12	AD075X-4603-N12	AD075X-5753-N12	AD075X-2303-N4X	AD075X-4603-N4X	AD075X-5753-N4X
10	AD100X-2303-N12	AD100X-4603-N12	AD100X-5753-N12	AD100X-2303-N4X	AD100X-4603-N4X	AD100X-5753-N4X
15	AD150X-2303-N12	AD150X-4603-N12	AD150X-5753-N12	AD150X-2303-N4X	AD150X-4603-N4X	AD150X-5753-N4X
20	AD200X-2303-N12	AD200X-4603-N12	AD200X-5753-N12	AD200X-2303-N4X	AD200X-4603-N4X	AD200X-5753-N4X
25	AD250X-2303-N12	AD250X-4603-N12	AD250X-5753-N12	AD250X-2303-N4X	AD250X-4603-N4X	AD250X-5753-N4X

SINGLE-PHASE INPUT DRIVES (FOR USE WITH 3-PHASE PUMPS ONLY) INCLUDES STANDARD DISCONNECT ONLY (NO FUSES), BATTERY BACKUP, & PENTAIR SMART START*		
Horse Power (HP)	NEMA-12 RATED (IP 54/55)	NEMA-4X RATED (IP 66)
	200-240 VAC	
3	AD030X-2301-N12	AD030X-2301-N4X
5	AD050X-2301-N12	AD050X-2301-N4X
7-1/2	AD075X-2301-N12	AD075X-2301-N4X
10	AD100X-2301-N12	AD100X-2301-N4X
15 - 20	AD200X-2301-N12	AD200X-2301-N4X

For 30HP and higher - Please contact factory.

3-PHASE Units available with Optional Bypass Contactor mounted to common back plate. Please contact factory.

*Startup Services

CERTIFIED START-UP ASSISTANCE BY TRAINED TECHNICIANS IS AVAILABLE FOR PURCHASE WITH ALL ACU DRIVE VFD's. USE PRODUCT NUMBERS AS FOLLOWS:	
AD-STDSU01	Startup for single Drive (with or without Bypass Option)
AD-SUDW01	Batch Startup for 2-3 standard drives (4 hr. onsite / day)
AD-SUFW01	Batch Startup for 4-6 standard drives (8 hr. onsite / day)

Optional Accessories and Warranties

"ENHANCED SERVICE WARRANTY - ON SITE" INCLUDES PARTS, LABOR, TRAVEL AND ON-SITE WARRANTY REPAIR. USE PRODUCT NUMBERS AS FOLLOWS:"				
		200-240 VAC		360-480 VAC
DURATION	3 HP & Below	5-25 HP	10 HP & Below	15-40 HP
6 YEARS	AD-EWW172	AD-EWW272	AD-EWW172	AD-EWW272

Flow Sensor Options

ACU DRIVE XS - FLOW SENSOR KITS					
Pipe Size (inches)	NEMA-12 RATED (IP 54/55)		NEMA-4X RATED (IP 66)		
	200-240 VAC	525-600 VAC	200-240 VAC	525-600 VAC	
2"	97014-4202KIT	Includes:	—	Includes:	
3"	97014-4203KIT	• Sch80 PVC Clamp-on Pipe Saddle.	97014BL-03KIT	• Sch80 PVC Clamp-on Pipe Saddle(3"-8").	
4"	97014-4204KIT	• 100 linear feet shielded signal wire.	97014BL-04KIT	• Iron Saddle (10"-14").	
6"	97016-4206KIT	• Strain relief connector.	97016BL-06KIT	• 100 linear feet shielded signal wire.	
8"	97016-4208KIT	Does <u>not</u> include separate wall-mount flow display.	97016BL-08KIT	• Strain relief connector.	
10"	—		97020BL-10KIT	Separate wall-mount flow display/transmitter.	
12"	—		97020BL-12KIT		
14"	—		97020BL-14KIT		

*Additional charges will apply if on-site start-up exceeds four hours (including round-trip travel) per Acu Drive XS Drive.

Other options and add-ons are available including "Bypass Contactors", and "Contact Motor Select" upgrades, and additional on-site technical training. For more information on these options, other sizes, or applications assistance call 1-800-831-7133.

Some pump motors (e.g. 230/460V versions) can be wired to accommodate multiple voltages. This is not true of VFDs. In order to ensure proper VFD selection, the actual pump motor input voltage must be consistent with the drives operating range as shown.

The Acu Drive VF Drive is recommended for use with all "High" or "Premium" efficiency motors and all motors that have Class F insulation or better. For all non-Class F motors, please contact the factory for proper selection of Acu Drive XS Drive and accessories.

Standard Acu Drive XS VF Drives can be returned within 12 months of invoice only if unused, in original packaging, and subject to a 35% restocking charge. Special drives are non-returnable.

Nema Rated 12 enclosure provides protection against dust, dirt and light splashing. Nema Rated 12 units may be used outdoors when sheltered from direct precipitation and sunlight.

Nema Rated 4X enclosure provides a degree of protection against solid foreign objects(windblown dust), water(rain, sleet, snow, splashing water, and hose directed water), and an additional level of protection against corrosion; and that will be undamaged by the external formation of ice on the enclosure.

EQ SERIES®

COMMERCIAL PLASTIC PUMP WITH AND WITHOUT HAIR AND LINT STRAINER



EQ Series TEFC Pump with Strainer



EQ Series Pump without Strainer

Commercial Plastic pump built specifically for commercial and large residential pools. Pump features electrical and hydraulic designs that helps reduce wear and tear on critical moving parts, and is lightweight for ease of installation.

CALIFORNIA PROPOSITION 65 WARNING
 ⚠️ WARNING: Cancer and Reproductive Harm.
 ⚠️ AVERTISSEMENT: Peut Causer le Cancer et des Dommages au Système Reproducteur.
 ⚠️ ADVERTENCIA: Cáncer y Daño Reproductivo.
www.p65warnings.ca.gov

Featured Highlights

- Efficiency 3-phase motors
- Commercial grade, non-corrosive Plastic Parts for durability and long life
- Now available in TEFC and ODP 3-phase motor options
- Cam and Ramp™ See -Through Lid
- Self-priming with Hair and Lint Strainer
- Light weight
- 3-phase models compatible with Acu Drive™ XS VF Drive
- Drop-in replacement for C Series® and CSP Series™ Pumps
- Waterfall models great for low head, high flow applications
- Easy cleaning and serviceability
- 50 Hz models available -contact factory

Ordering Information

Product	Description	Voltage	Amps	HP	SF	SFHP	Primary Listings and Certifications ⁸	Port Size (ANSI Flange)	Motor Class	Carton Wt. (Lbs.)	Curve Key
PREMIUM EFFICIENCY SINGLE PHASE POOL PUMP WITHOUT STRAINER - ODP											
▶ 340019	EQ-500	230	20.0	5	1.15	5.75	NSF ² , ETL ⁵	6 in. x 4 in.	F	97	A
▶ 340021	EQ-750	230	30.4	7.5	1.15	8.63	NSF ²	6 in. x 4 in.	F	132	B
▶ 340237	EQ-1000	230	40.0	10	1.15	11.50	NSF ²	6 in. x 4 in.	F	125	C
NEMA RATED PREMIUM EFFICIENCY THREE PHASE POOL PUMP WITHOUT STRAINER - ODP											
▶ 340020	EQK-500	208-230/460	13.5-12.3/6.2	5	1.15	5.75	NSF ²	6 in. x 4 in.	F	77	D
▶ 340022	EQK-750	208-230/460	20.4-18.2/9.1	7.5	1.15	8.63	NSF ²	6 in. x 4 in.	F	87	E
▶ 340023	EQK-1000	208-230/460	27.0/26.2-13.1	10	1.15	11.50	NSF ²	6 in. x 4 in.	F	117	F
▶ 340024	EQK-1500	208-230/460	40.0-38.0/18.8	15	1.15	17.25	NSF ²	6 in. x 4 in.	F	132	G
NEMA RATED PREMIUM EFFICIENCY THREE PHASE POOL PUMP WITHOUT STRAINER - TEFC											
▶ 340608	EQKT-500	208-230/460	13.4-12.2/6.1	5	1.25	6.25	NSF ² , UL ⁷	6 in x 4 in	F	97	D
▶ 340609	EQKT-750	208-230/460	19.9-17.8/8.9	7.5	1.25	9.38	NSF ² , UL ⁷	6 in x 4 in	F	117	E
▶ 340610	EQKT-1000	208-230/460	26.4-23.5/11.7	10	1.25	12.50	NSF ² , UL ⁷	6 in x 4 in	F	163	F
▶ 340611	EQKT-1500	208-230/460	39.0-36.0/18.0	15	1.25	18.75	NSF ² , UL ⁸	6 in x 4 in	F	177	G
NEMA RATED PREMIUM EFFICIENCY THREE PHASE POOL PUMP WITHOUT STRAINER - 575 VOLT - ODP											
▶ 340148	EQK-500	575	5.1	5	1.15	5.75	NSF ²	6 in. x 4 in.	F	77	D
▶ 340149	EQK-750	575	7.2	7.5	1.15	8.63	NSF ²	6 in. x 4 in.	F	87	E
▶ 340150	EQK-1000	575	10.2	10	1.15	11.50	NSF ²	6 in. x 4 in.	F	117	F
▶ 340151	EQK-1500	575	15.0	15	1.15	17.25	NSF ²	6 in. x 4 in.	F	132	G
PREMIUM EFFICIENCY SINGLE PHASE POOL PUMP WITH STRAINER - ODP											
▶ 340030	EQ-500	230	20.0	5	1.15	5.75	NSF ³ , ETL ⁵	6 in. x 4 in.	F	126	A
▶ 340032	EQ-750	230	30.4	7.5	1.15	8.63	NSF ³	6 in. x 4 in.	F	161	B
▶ 340238	EQ-1000	230	40.0	10	1.15	11.50	NSF ³	6 in. x 4 in.	F	160	C
NEMA RATED PREMIUM EFFICIENCY THREE PHASE POOL PUMP WITH STRAINER - ODP											
▶ 340031	EQK-500	208-230/460	13.5-12.3/6.2	5	1.15	5.75	NSF ³	6 in. x 4 in.	F	106	D
▶ 340033	EQK-750	208-230/460	20.1-18.3/9.1	7.5	1.15	8.63	NSF ³	6 in. x 4 in.	F	116	E
▶ 340034	EQK-1000	208-230/460	27.0/26.2-13.1	10	1.15	11.50	NSF ³	6 in. x 4 in.	F	146	F
▶ 340035	EQK-1500	208-230/460	40.0-36.0/17.8	15	1.15	17.25	NSF ³	6 in. x 4 in.	F	161	G
NEMA RATED PREMIUM EFFICIENCY THREE PHASE POOL PUMP WITH STRAINER - TEFC											
▶ 340604	EQKT-500	208-230/460	13.4-12.2/6.1	5	1.25	6.25	NSF ³ , UL ⁷	6 in x 4 in	F	127	D
▶ 340605	EQKT-750	208-230/460	19.9-17.8/8.9	7.5	1.25	9.38	NSF ³ , UL ⁷	6 in x 4 in	F	147	E
▶ 340606	EQKT-1000	208-230/460	26.4-23.5/11.7	10	1.25	12.50	NSF ³ , UL ⁷	6 in x 4 in	F	193	F
▶ 340607	EQKT-1500	208-230/460	39.0-36.0/18.0	15	1.25	18.75	NSF ³ , UL ⁸	6 in x 4 in	F	207	G

▶ This product either meets or is exempt from the DOE Dedicated Purpose Pool Pump regulation. This product will remain available after the DOE regulation takes effect in July 2021.

EQ SERIES®

COMMERCIAL PLASTIC PUMP WITH AND WITHOUT HAIR AND LINT STRAINER

Product	Description	Voltage	Amps	HP	SF	SFHP	Primary Listings and Certifications ⁶	Port Size (ANSI Flange)	Motor Class	Carton Wt. (Lbs.)	Curve Key
NEMA RATED PREMIUM EFFICIENCY THREE PHASE POOL PUMP WITH STRAINER - ODP - 575 VOLT											
▶ 340155	EQK-500	575	5.1	5	1.15	5.75	NSF ³	6 in. x 4 in.	F	106	D
▶ 340156	EQK-750	575	7.2	7.5	1.15	8.63	NSF ³	6 in. x 4 in.	F	116	E
▶ 340157	EQK-1000	575	10.2	10	1.15	11.50	NSF ³	6 in. x 4 in.	F	146	F
▶ 340159	EQK-1500	575	15.0	15	1.15	17.25	NSF ³	6 in. x 4 in.	F	161	G
SINGLE PHASE WATERFALL PUMP WITHOUT STRAINER - ODP - 1750 RPM											
▶ 340014	EQW-300	208-230	19.5/19.2	3	1.15	3.45	NSF ² , ETL ⁵	6 in. x 4 in.	F	97	H
▶ 340017	EQW-500	208-230	23.0-20.1	5	1.25	6.25	NSF ² , ETL ⁵	6 in. x 4 in.	F	97	I
NEMA RATED PREMIUM EFFICIENCY THREE PHASE WATERFALL PUMP WITHOUT STRAINER - ODP - 1750 RPM											
▶ 340016	EQWK-300	208-230/460	8.4-7.8/3.9	3	1.15	3.45	NSF ²	6 in. x 4 in.	F	77	H
▶ 340018	EQWK-500	208-230/460	13.8-13.0/6.5	5	1.25	6.25	NSF ²	6 in. x 4 in.	F	77	I
SINGLE PHASE WATERFALL PUMP WITH STRAINER - ODP - 1750 RPM											
▶ 340026	EQW-300	208/230	19.5/19.2	3	1.15	3.45	NSF ³ , ETL ⁵	6 in. x 4 in.	F	126	H
▶ 340028	EQW-500	208-230	23.0/20.1	5	1.25	6.25	NSF ⁴ , ETL ⁵	6 in. x 4 in.	F	126	I
NEMA RATED PREMIUM EFFICIENCY THREE PHASE WATERFALL PUMP WITH STRAINER - ODP											
▶ 340027	EQWK-300	208-230/460	8.4-7.8/3.9	3	1.15	3.45	NSF ³	6 in. x 4 in.	F	106	H
▶ 340029	EQWK-500	208-230/460	13.8-13.0/6.5	5	1.25	6.25	NSF ⁴	6 in. x 4 in.	F	106	I
HAIR AND LINT STRAINER WITH CAM AND RAMP LID, BASKET AND HARDWARE											
340013	EQ 6X6 Strainer						NSF ⁴	6 in. x 6 in.		33	J
EQ SERIES PUMP ACCESSORIES FLANGE ASSEMBLY KITS											
357262	Flange 4 in. w/ gasket and SS hardware ¹	(See images on next page)								20	
357263	Flange 6 in. w/ gasket and SS hardware ¹	(See images on next page)								23	
357212	Flange 6 in. w/ gasket and SS hardware.	For use on EQ Pumps without Strainer.								23	

See page 249 for an assortment of PS Series In-Line Strainers that work well with EQ Series pumps.

¹ Thermoplastic PVC socket style.

² 'NSF' indicates that pump bears a mark signifying evaluation to NSF Standard 50 For Non Self-Priming Centrifugal Pumps For Swimming Pools, Spas and Hot Tubs.

³ 'NSF' indicates that pump bears a mark signifying evaluation to NSF Standard 50 For Self-Priming Centrifugal Pumps For Swimming Pools, Spas and Hot Tubs.

⁴ 'NSF' indicates that product bears a mark signifying evaluation to NSF Standard 50 For Materials and Components.

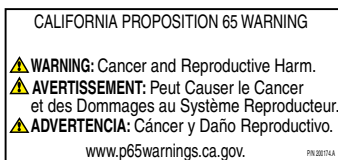
⁵ 'ETL' indicates that pump bears a specific ETL mark signifying evaluation to U.S. Standards UL1081 for Permanently Connected Swimming Pool and Spa Pumps and to Canadian Standards CAN/CSA C22.2 No. 108-01 Liquid Pumps For Swimming Pools And Spas. (Enclosure 3).

⁶ Product may have been evaluated to other state and local regulatory standards. Listing status may change. Always confirm status with appropriate agency if in doubt.

⁷ 'UL' indicates that pump bears a UL mark signifying evaluation to U.S. Standards UL1081 for Permanently Connected Swimming Pool and Spa Pumps and to Canadian Standards CAN/CSA C22.2 No. 108-01 Liquid Pumps For Swimming Pools Only (Enclosure 3).

⁸ 'UL' indicates that pump bears a UL mark signifying evaluation to U.S. Standards UL1081 for Permanently Connected Swimming Pool and Spa Pumps.

Dimensions and Performance - See next page.



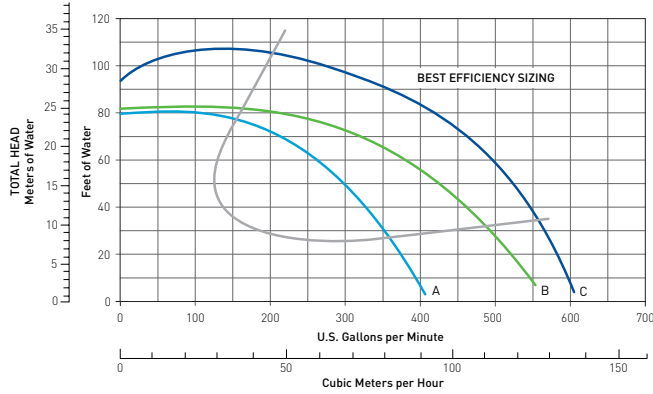
See pages 542–543 for replacement parts.

EQ SERIES®

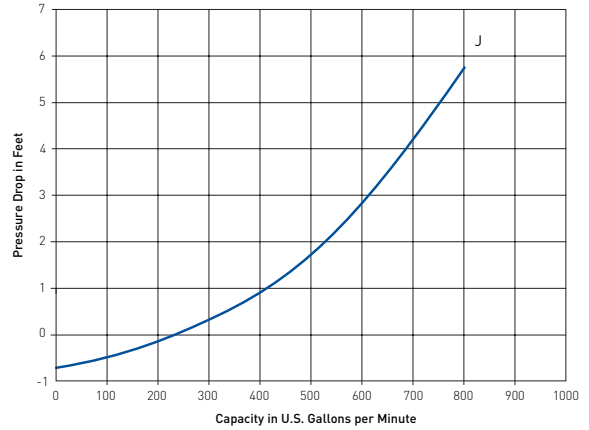
COMMERCIAL PLASTIC PUMP WITH AND WITHOUT HAIR AND LINT STRAINER (CONT'D)

Dimensions and Performance

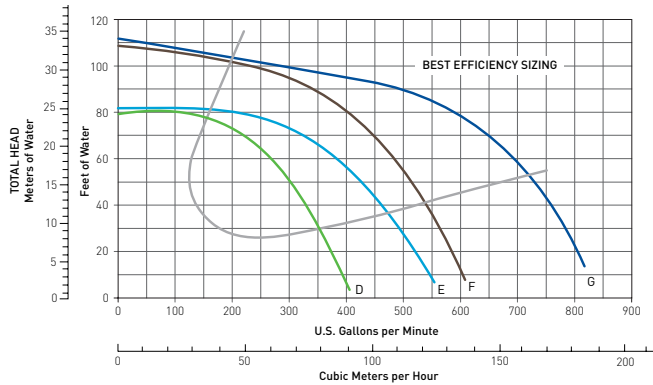
Single Phase Pumps - EQ Models



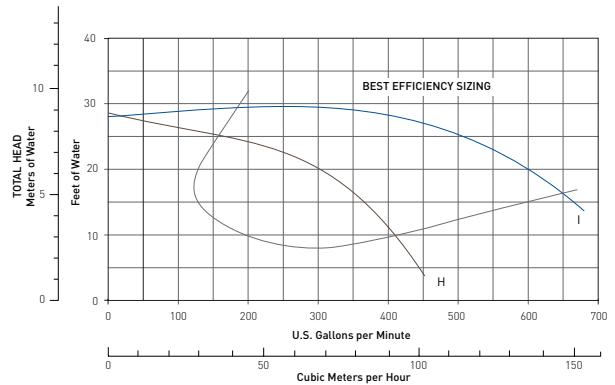
EQ Strainer Only



Three Phase Pumps - EQK Models



WaterFall Pumps - EQW & EQWK Models



For detailed efficiency curves go to www.pentaircommercial.com

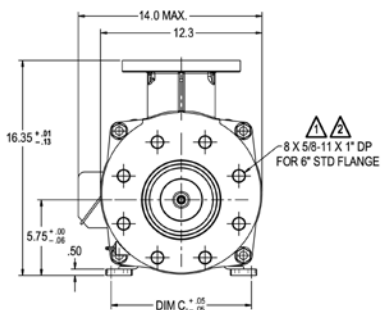
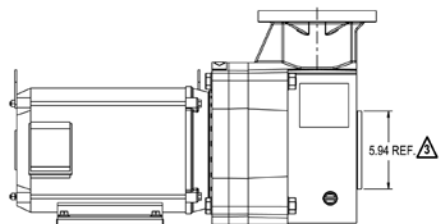
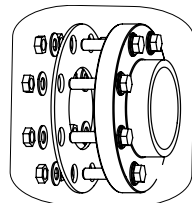
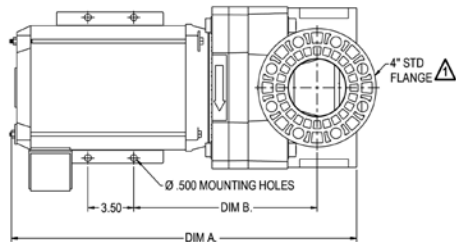
EQ SERIES®

COMMERCIAL PLASTIC PUMP WITH AND WITHOUT HAIR AND LINT STRAINER (CONT'D)

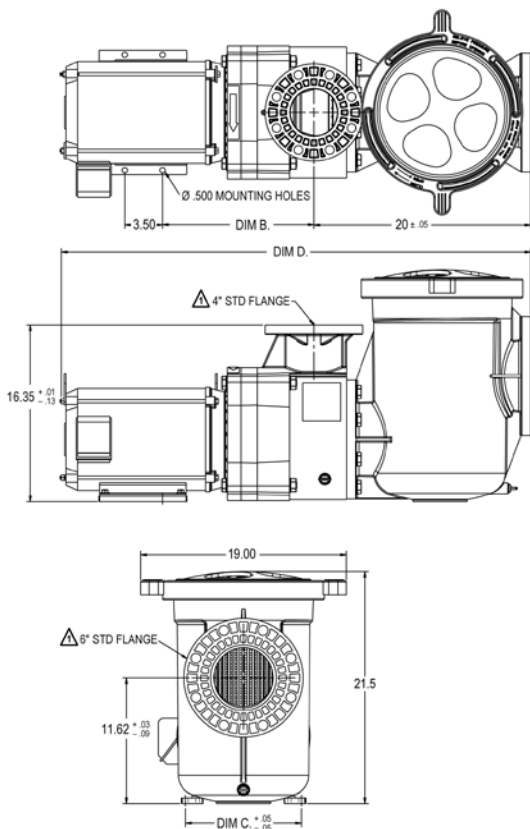
Dimensions and Performance

EQ Series Commercial Pump without Strainer

EQ Series Pump
Flange Assembly Kit



EQ Series Commercial Pump with Strainer



Product No W/O Pot	Product No. W/ Pot	Dim A*	Dim B*	Dim C*	Dim D*
340014	340026	26.62	13.32	9.69	43.59
340017	340028	26.62	14.21	9.69	43.59
340019	340030	26.62	13.32	9.69	43.59
340021	340032	27.53	14.21	10.69	44.59
340237	340238	26.94	14.03	10.69	43.92
340016	340027	23.12	13.32	9.69	40.09
340018	340029	23.12	13.32	9.69	40.09
340020	340031	23.12	13.32	9.69	40.09
340022	340033	24.50	13.32	9.69	41.56
340023	340034	26.31	14.38	10.69	43.29
340024	340035	26.31	14.38	10.69	43.29
340148	340155	24.62	13.32	7.50	41.59
340149	340156	24.62	13.32	7.50	41.59
340150	340157	26.31	14.07	8.50	43.29
340151	340159	26.31	14.07	8.50	43.29
340608	340604	24.52	13.48	9.69	41.50
340609	340605	26.52	14.19	10.69	43.50
340610	340606	28.02	14.19	10.69	45.00
340611	340607	28.02	14.19	10.69	45.00
340086	340082	24.62	13.48	9.69	41.59
340085	340081	24.62	13.48	9.69	41.59
340084	340080	28.31	14.19	10.69	45.29
340083	340049	28.31	14.19	10.69	45.29
340048	340046	28.31	14.19	10.69	45.29
340047	340045	28.31	14.19	10.69	45.29

* This value may vary slightly depending upon manufacturer and motor design.

- △ FASTENERS AND O-RING ARE INCLUDED WITH PENTAIR POOL PRODUCTS EQ 6X6 STRAINER TO CONNECT STRAINER DIRECTLY TO EQ SERIES PUMP. IF PUMP IS TO BE INSTALLED WITHOUT STRAINER MAKE BOTH CONNECTIONS PER NOTE 1.
- △ USE ANSI CLASS 150 PLASTIC FLANGE AND 1/8 in. THICK CLASS 150 FULL FLANGE GASKET TO MAKE CONNECTION.
- △ THIS DIAMETER FITS INSIDE 6 in. SCH 40 PIPE. DO NOT USE SCH 80 PIPE AS FINAL PIPE SIZE WHEN MAKING THIS FLANGE CONNECTION.

See pages 542–543 for replacement parts.

C SERIES®

COMMERCIAL BRONZE PUMPS



C Series Commercial Bronze Pump

Bronze volute and pot, coated cast iron foot, flanged connections, 6 in. suction, 4 in. discharge.

CALIFORNIA PROPOSITION 65 WARNING

⚠ **WARNING:** Cancer and Reproductive Harm.
 ⚠ **AVERTISSEMENT:** Peut Causer le Cancer et des Dommages au Système Reproducteur.
 ⚠ **ADVERTENCIA:** Cáncer y Daño Reproductivo.
www.p65warnings.ca.gov

Featured Highlights

- Large commercial pump with s/s basket
- Easy serviceability
- All-bronze construction for strength and durability
- 6 in. suction and 4 in. discharge for maximum capabilities
- Heavy-gauge stainless steel strainer basket with an open area 5 times the area of the suction port
- Closed impeller for longer motor bearing life
- Heat-resistant seal capable of operation at up to 150°
- Available in single and three-phase, 50 and 60-Hertz models
- For 200-208v applications order 200-208v model pump

Ordering Information

Product	Description	Voltage	Amps	HP	SF	SFHP	Primary Listings and Certifications ²	Motor Class	Port Size (ANSI Flange)	Carton Wt. (Lbs.)	Curve Key
NEMA RATED STANDARD EFFICIENCY SINGLE PHASE 230V											
▶011651	CM-50	230	24.0	5	1.15	5.75	NSF ¹	B	6 in. x 4 in.	352	F
▶011656	CH-50	230	24.0	5	1.15	5.75	NSF ¹	B	6 in. x 4 in.	352	A
▶347917	CM-75	230	37.0	7-1/2	1.15	8.63	NSF ¹	B	6 in. x 4 in.	375	G
▶347916	CH-75	230	37.0	7-1/2	1.15	8.63	NSF ¹	B	6 in. x 4 in.	375	B
▶347964	CM-100	230	51.0	10	1.15	11.50	NSF ¹	B	6 in. x 4 in.	370	H
▶347963	CH-100	230	51.0	10	1.15	11.50	NSF ¹	B	6 in. x 4 in.	370	C
NEMA RATED STANDARD EFFICIENCY SINGLE PHASE 200 - 208V											
▶347938	CM-50	200-208	29.0	5	1.15	5.75	NSF ¹	B	6 in. x 4 in.	322	F
▶348001	CM-75	200-208	42.6	7-1/2	1.15	8.63	NSF ¹	B	6 in. x 4 in.	375	G
NEMA RATED STANDARD EFFICIENCY THREE PHASE 200 - 208V											
▶347940	CMK-50	200-208	16.1	5	1.15	5.75	NSF ¹	B	6 in. x 4 in.	346	F
▶347941	CHK-50	200-208	16.1	5	1.15	5.75	NSF ¹	B	6 in. x 4 in.	350	A
▶347942	CMK-75	200-208	22.3	7-1/2	1.15	8.63	NSF ¹	B	6 in. x 4 in.	346	G
▶347943	CHK-75	200-208	22.3	7-1/2	1.15	8.63	NSF ¹	B	6 in. x 4 in.	346	B
▶347944	CMK-100	200-208	28.7	10	1.15	11.50	NSF ¹	B	6 in. x 4 in.	370	H
▶347945	CHK-100	200-208	28.7	10	1.15	11.50	NSF ¹	B	6 in. x 4 in.	356	C
▶347948	CHK-200	200-208	54.0	20	1.15	23.00	NSF ¹	F	6 in. x 4 in.	406	E
NEMA RATED STANDARD EFFICIENCY THREE PHASE 220/440V											
▶011657	CHK-50	220/440	13.0/6.5	5	1.15	5.75	NSF ¹	F	6 in. x 4 in.	336	A
▶011658	CHK-75	220/440	18.4/9.2	7-1/2	1.15	8.63	NSF ¹	F	6 in. x 4 in.	349	B
▶011659	CHK-100	220/440	25.3/12.6	10	1.15	11.50	NSF ¹	B	6 in. x 4 in.	376	C
▶011660	CHK-150	220/440	37.5/18.8	15	1.15	17.25	NSF ¹	B	6 in. x 4 in.	398	D
▶011661	CHK-200	220/440	49.0/24.6	20	1.15	23.00	NSF ¹	F	6 in. x 4 in.	403	E

▶ This product either meets or is exempt from the DOE Dedicated Purpose Pool Pump regulation. This product will remain available after the DOE regulation takes effect in July 2021.

C SERIES®

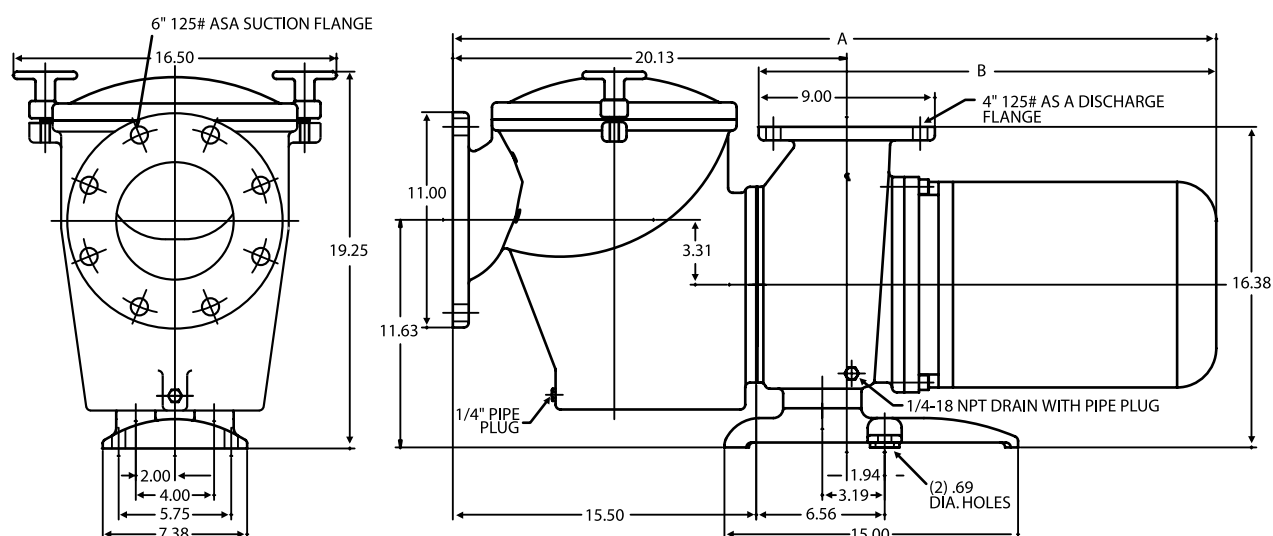
COMMERCIAL BRONZE PUMPS (CONT'D) WITH HAIR AND LINT STRAINER

Product	Description	Voltage	Amps	HP	SF	SFHP	Primary Listings and Certifications ²	Motor Class	Port Size (ANSI Flange)	Carton Wt. (Lbs.)	Curve Key
NEMA RATED STANDARD EFFICIENCY THREE PHASE 575V											
▶ 347967	CHK-50	575	5.6	5	1.15	5.75	NSF ¹	F	6 in. x 4 in.	336	A
▶ 347935	CHK-200	575	19.5	20	1.15	23.00	NSF ¹	F	6 in. x 4 in.	406	E
NEMA RATED STANDARD EFFICIENCY THREE PHASE 380-415V- 50 HZ											
▶ 014884	CHKL-200	380-415	28.0-26.0	20	1.15	23.00	NSF ¹	F	6 in. x 4 in.	403	

¹ "NSF" indicates that pump has been certified to NSF/ANSI 50, the Standard for Equipment for swimming pools, spas, hot tubs and other recreational water features.

² Product may have been evaluated to other state and local regulatory standards. Listing status may change. Always confirm status with appropriate agency if in doubt.

Dimensions and Performance



PUMP DIMENSIONS			
THREE-PHASE AMPS @ 220/440 & 380/415 V			
HP	AMPS	A	B
5	14	34.88	19.50
7.5	20	35.88	20.50
10	26	36.88	22.50
15	38	37.38	22.00
20	46	37.88	23.50

PUMP DIMENSIONS			
SINGLE-PHASE AMPS @ 230 VOLTS			
HP	AMPS	A	B
5	26	35.50	20.50
7.5	37	35.88	20.50

PUMP DIMENSIONS			
SINGLE-PHASE AMPS @ 200 VOLTS			
HP	AMPS	A	B
5	29	35.50	20.50
7.5	39.6	35.88	20.50

NOTES:
 1. BOTH "A" AND "B" DIMENSIONS ARE APPROXIMATE IT DEPENDS ON MOTOR MANUFACTURER.
 2. ALL DIMENSIONS ARE IN INCHES AND MAY VARY ± .25.

See pages 544–545 for replacement parts.

C SERIES®

COMMERCIAL BRONZE PUMPS (CONT'D) WITHOUT HAIR AND LINT STRAINER



C Series
Commercial
Bronze Pump
without Hair and
Lint Strainer

CALIFORNIA PROPOSITION 65 WARNING
 ⚠️ **WARNING:** Cancer and Reproductive Harm.
 ⚠️ **AVERTISSEMENT:** Peut Causer le Cancer et des Dommages au Système Reproducteur.
 ⚠️ **ADVERTENCIA:** Cáncer y Daño Reproductivo.
 www.p65warnings.ca.gov. PR020714

Featured Highlights

- High performance motors for maximum flow
- All-bronze construction for strength and durability
- 5 in. suction and 4 in. discharge for maximum capabilities
- Closed impeller for longer motor bearing life
- Heat-resistant seal capable of operation at up to 150°
- Available in single and three-phase, 50 and 60-hertz models
- For 200-208v applications order 200-208v model pump

Ordering Information

Product	Description	Voltage	Amps	HP	SF	SFHP	Primary Listings and Certifications ³	Motor Class	Port Size (ANSI Flange)	Carton Wt. (Lbs.)	Curve Key
NEMA RATED STANDARD EFFICIENCY SINGLE PHASE 200-208V											
▶ 347950	CH-50	200-208	29.0	5	1.15	5.75	NSF ²	B	5 in. x 4 in.	302	A
▶ 347961	CM-75	200-208	42.6	7-1/2	1.15	8.63	NSF ²	B	5 in. x 4 in.	315	G
C SERIES & AURORA PUMP ACCESSORIES FLANGE ASSEMBLY KITS											
357260	Flange 5 in. w/ gasket and SS hardware ¹ for pump less strainer									22	
357262	Flange 4 in. w/ gasket and SS hardware ¹									20	
357263	Flange 6 in. w/ gasket and SS hardware ¹									23	

¹ Thermoplastic PVC socket style

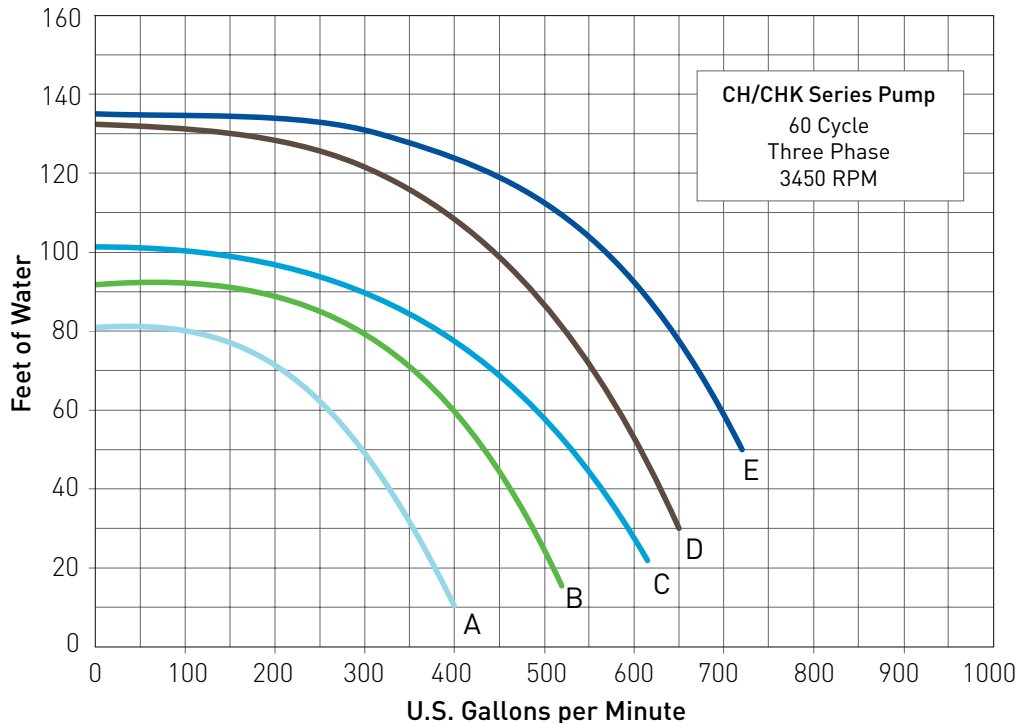
² 'NSF(1)' indicates that pump bears a mark signifying evaluation to NSF Standard 50 For Non Self-Priming Centrifugal Pumps For Swimming Pools, Spas and Hot Tubs.

³ Product may have been evaluated to other state and local regulatory standards. Listing status may change. Always confirm status with appropriate agency if in doubt.

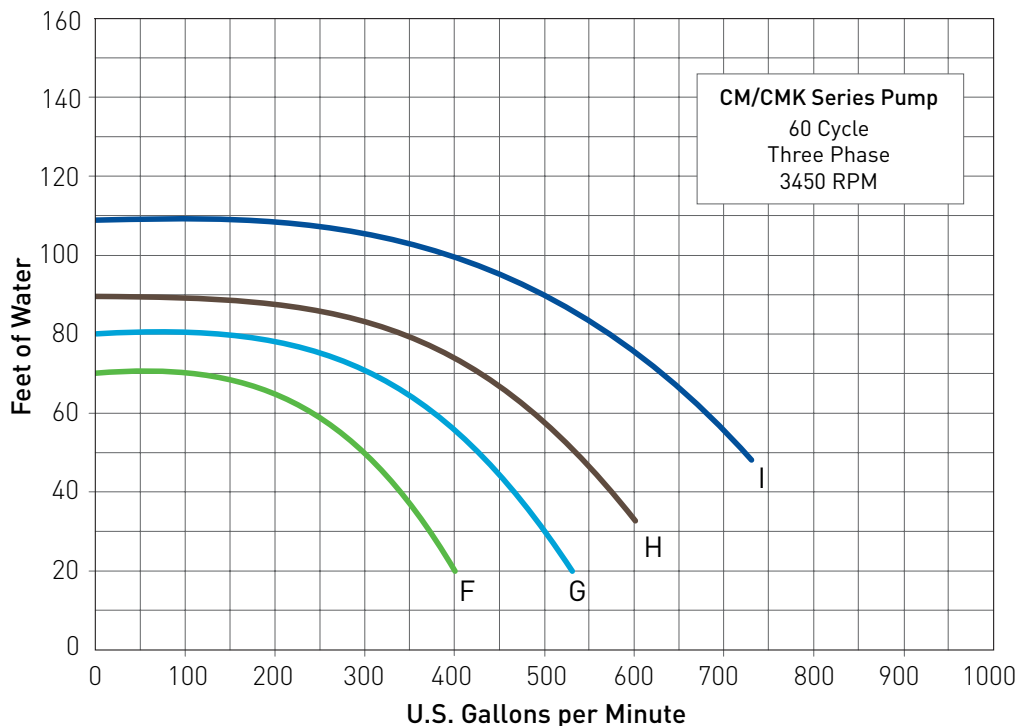
C SERIES®

COMMERCIAL BRONZE PUMPS (CONT'D) WITH HAIR AND LINT STRAINER

CH/CHK SERIES PUMP - 60HZ



CM/CMK SERIES PUMP - 60HZ



For detailed efficiency curves go to www.pentaircommercial.com

See pages 544–545 for replacement parts.

CSP/CCSP SERIES™

COMMERCIAL SELF-PRIMING PUMP



CSP/CCSP Series
Commercial Self-Priming
Pump with PKG 184
Strainer (sold separately)

CALIFORNIA PROPOSITION 65 WARNING
 ⚠️ **WARNING:** Cancer and Reproductive Harm.
 ⚠️ **AVERTISSEMENT:** Peut Causer le Cancer et des Dommages au Système Reproducteur.
 ⚠️ **ADVERTENCIA:** Cáncer y Daño Reproductivo.
www.p65warnings.ca.gov

Featured Highlights

- Especially designed for commercial and public swimming pools and spas, aquatic facilities, water parks and fountain applications where high performance and self-priming are required
- Pump has enclosed bronze impeller and standard 6 in. x 4 in. A.N.S.I. rated flange connections
- The pump strainer (order separately) has capacity of 1,100 cubic inches. Both pump and strainer can be ordered with optional epoxy coated castings to provide additional performance and corrosion resistance

Ordering Information

Product	Voltage	Amps ¹	HP	SF	SFHP	Primary Listings and Certifications ⁴	Port Size (ANSI Flange)	Carton Wt. (Lbs.)	Curve Key
NEMA RATED STANDARD EFFICIENCY SINGLE PHASE CAST IRON									
▶ CSPHK-142	230	39	7.5	1.15	8.63	NSF ²	6 in. x 4 in.	270	A
▶ CSPHL-143	230	46	10	1.15	11.50	NSF ²	6 in. x 4 in.	275	B
NEMA RATED STANDARD EFFICIENCY SINGLE PHASE EPOXY COATED CAST IRON									
▶ CCSPHK-142	230	39	7.5	1.15	8.63	NSF ²	6 in. x 4 in.	270	E
▶ CCSPHL-143	230	46	10	1.15	11.50	NSF ²	6 in. x 4 in.	275	F
NEMA RATED STANDARD EFFICIENCY THREE PHASE CAST IRON									
▶ CSPHK3-142	230/460	21.2-19.2/9.6	7-1/2	1.25	9.38	NSF ²	6 in. x 4 in.	265	A
▶ CSPHL3-143	230/460	27.6-24.4/12.2	10	1.25	12.50	NSF ²	6 in. x 4 in.	270	B
▶ CSPHM3-144	230/460	44.2-40/20	15	1.25	18.75	NSF ²	6 in. x 4 in.	280	C
▶ CSPHN3-145	230/460	55.3-50/25	20	1.25	25.00	NSF ²	6 in. x 4 in.	325	D
NEMA RATED STANDARD EFFICIENCY THREE PHASE CAST IRON - 200V⁶									
▶ CSPH2K3-142	200	22.1	7-1/2	1.15	8.63	NSF ²	6 in. x 4 in.	265	A
▶ CSPH2L3-143	200	28.1	10	1.25	12.50	NSF ²	6 in. x 4 in.	270	B
▶ CSPH2M3-144	200	42.3	15	1.25	18.75	NSF ²	6 in. x 4 in.	280	C
▶ CSPH2N3-145	200	57.3	20	1.25	25.00	NSF ²	6 in. x 4 in.	350	D
NEMA RATED STANDARD EFFICIENCY THREE PHASE EPOXY COATED CAST IRON									
▶ CCSPHK3-142	230/460	21.2-19.2/9.6	7-1/2	1.25	9.38	NSF ²	6 in. x 4 in.	265	E
▶ CCSPHL3-143	230/460	27.6-24.4/12.2	10	1.25	12.50	NSF ²	6 in. x 4 in.	270	F
▶ CCSPHM3-144	230/460	44.2-40/20	15	1.25	18.75	NSF ²	6 in. x 4 in.	280	G
▶ CCSPHN3-145	230/460	55.3-50/25	20	1.25	25.00	NSF ²	6 in. x 4 in.	325	H
NEMA RATED STANDARD EFFICIENCY THREE PHASE EPOXY COATED CAST IRON - 200 V⁶									
▶ CCSPH2K3-142	200	22.1	7-1/2	1.15	8.63	NSF ²	6 in. x 4 in.	265	E
▶ CCSPH2L3-143	200	28.1	10	1.25	12.50	NSF ²	6 in. x 4 in.	270	F
▶ CCSPH2M3-144	200	42.3	15	1.25	18.75	NSF ²	6 in. x 4 in.	280	G
▶ CCSPH2N3-145	200	57.3	20	1.25	25.00	NSF ²	6 in. x 4 in.	350	H
ACCESSORIES FOR CSP/CCSP SERIES									
PKG 184	Strainer for CSP/CCSP 6 in. ANSI flange (1,100 cu. in. capacity)					NSF ³	6 in. x 6 in.	180	I
PKG 184C	Same as PKG 184 Except Strainer is Epoxy Coated					NSF ³	6 in. x 6 in.	180	I
357262	Flange 4 in. w/ gasket and SS hardware ⁵							20	
357263	Flange 6 in. w/ gasket and SS hardware ⁵							23	

¹ Amp draw may vary depending on motor manufacturer.

² 'NSF(1)' indicates that pump bears a mark signifying evaluation to NSF Standard 50 For Self-Priming Centrifugal Pumps For Swimming Pools And Spas.

³ 'NSF(2)' indicates that product bears a mark signifying evaluation to NSF Standard 50 For Materials and Components.

⁴ Product may have been evaluated to other state and local regulatory standards. Listing status may change. Always confirm status with appropriate agency if in doubt.

⁵ Thermoplastic PVC socket style.

⁶ For 208 volt applications, use 200v model options.

▶ This product either meets or is exempt from the DOE Dedicated Purpose Pool Pump regulation. This product will remain available after the DOE regulation takes effect in July 2021.

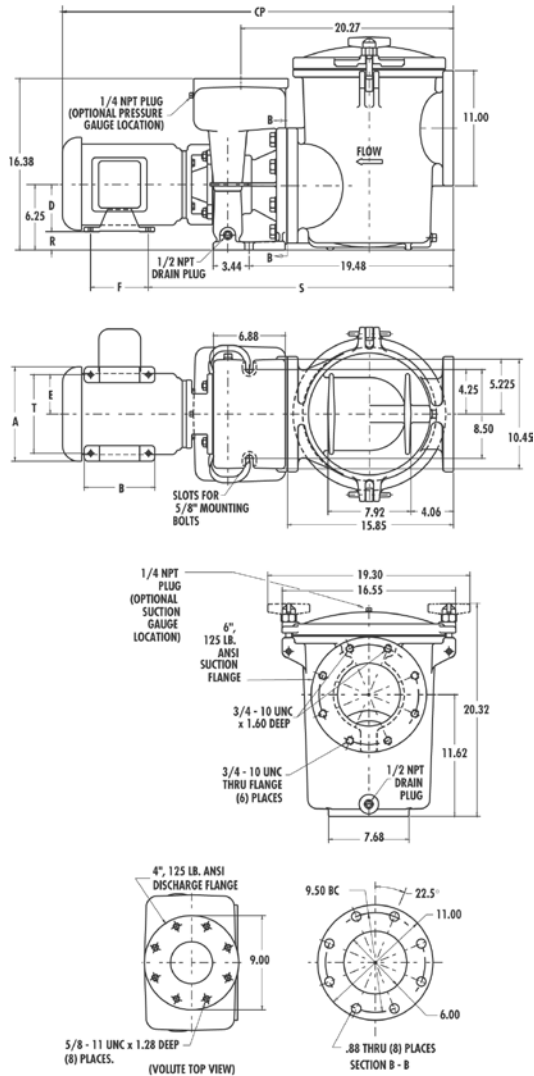
CSP/CCSP SERIES™

COMMERCIAL SELF-PRIMING PUMP (CONT'D)

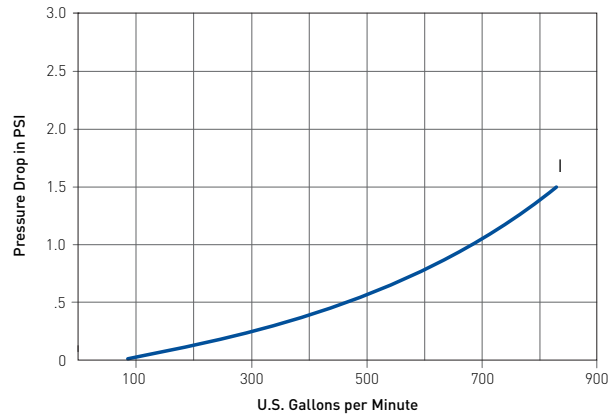
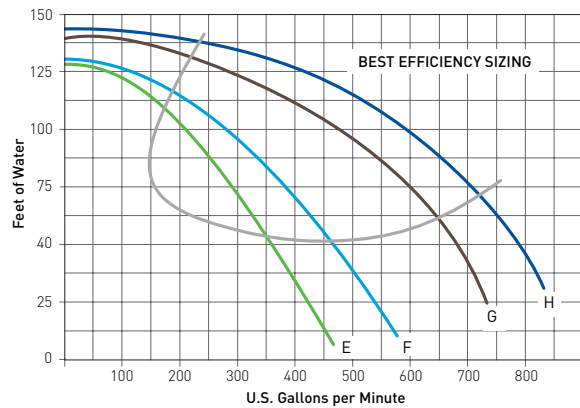
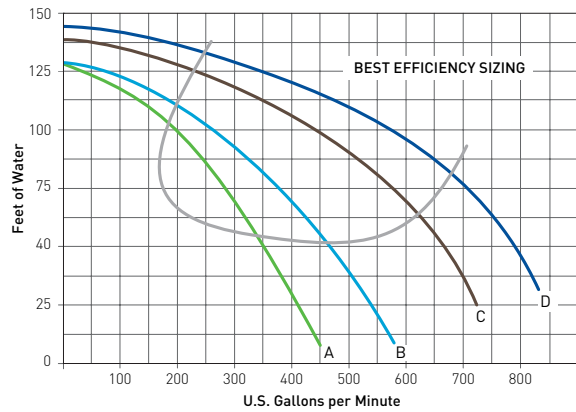
Featured Highlights

Options: CCSP Models feature special epoxy coated castings for maximum performance and corrosion resistance. 60 Hz T.E.F.C., 60 Hz premium efficiency, or 575 volt motors available. Inverter duty rated class F motors available for most models. Contact factory for details.

Note: Maximum ambient temperature for motor is 104°F (40°C). All pump motors require external overload protection (magnetic starter). Pump strainer must be ordered separately. Full load amps on motor model plate.



Dimensions and Performance



Catalog Number	A	B	CP	D	E	F	R	S	T
CSPHK, CCSPHK	10.62	7.00	39.44	5.25	4.25	5.50	1.00	30.00	8.50
CSPHK3, CCSPHK3, CSPH2K3	9.00	6.75	40.31	4.50	3.75	5.50	1.75	29.13	7.50
CSPHL, CCSPHL	10.35	8.26	42.69	5.25	4.25	7.00	1.00	30.00	8.50
CSPHL3, CCSPHL3	10.62	7.00	41.00	5.25	4.25	5.50	1.00	30.00	8.50
CSPHM3, CCSPHM3	10.62	8.50	42.50	5.25	4.25	7.00	1.00	30.00	8.50
CSPH2L3, CSPH2M3	10.62	8.50	42.50	5.25	4.25	7.00	1.00	30.00	8.50
CSPHN3, CCSPHN3	12.50	10.80	46.75	6.25	5.00	8.20	0.00	31.62	10.00
CSPH2N3, CCSPH2N3	13.38	12.44	48.50	6.25	5.00	10.00	0.00	31.65	10.00

All dimensions shown in inches.

See page 548 for replacement parts.

5CSP/5CCSP SERIES™

50 HERTZ COMMERCIAL SELF-PRIMING PUMP



5CSP/5CCSP Series Commercial Self-Priming Pump with PKG 184 Strainer Pot (sold separately)

Featured Highlights

- Especially designed for commercial and public swimming pools and spas, aquatic facilities, water parks and fountain applications where high performance and self-priming are required
- Pump has enclosed bronze impeller and standard 6 in. x 4 in. A.N.S.I. flange connections
- The pump strainer (order separately) has capacity of 1,100 cubic inches. Both pump and strainer can be ordered with optional epoxy coated castings to provide additional performance and corrosion resistance

• **Note: 50 hertz pumps cannot be used in North America.**

CALIFORNIA PROPOSITION 65 WARNING
 ⚠️ **WARNING:** Cancer and Reproductive Harm.
 ⚠️ **AVERTISSEMENT:** Peut Causer le Cancer et des Dommages au Système Reproducteur.
 ⚠️ **ADVERTENCIA:** Cáncer y Daño Reproductivo.
www.p65warnings.ca.gov

Ordering Information

Product	Voltage	Amps ¹	HP	SF	SFHP	Primary Listings and Certifications ³	Port Size (ANSI Flange)	Carton Wt. (Lbs.)	Curve Key
SINGLE PHASE CAST IRON WITHOUT STRAINER- 50 HZ									
▶ 5CSPHJ-142	220-240	35.5-32.5	5	1.00	5		6 in. x 4 in.	270	A
▶ 5CSPHK-143	220-240	43.0-39.4	7-1/2	1.00	7-1/2		6 in. x 4 in.	280	B
THREE PHASE CAST IRON WITHOUT STRAINER- 50 HZ									
▶ 5CSPHJ3-142	220-240/380-415	13.0/6.9	5	1.00	5		6 in. x 4 in.	260	A
▶ 5CSPHK3-143	220-240/380-415	20.7-21.5/12.0/12.4	7-1/2	1.00	7-1/2		6 in. x 4 in.	270	B
▶ 5CSPHL3-144	220-240/380-415	27.0-27.5/15.6-15.9	10	1.00	10		6 in. x 4 in.	280	C
▶ 5CSPHM3-145	220-240/380-415	38.9-20.6	15	1.00	15		6 in. x 4 in.	300	D
THREE PHASE EPOXY COATED CAST IRON WITHOUT STRAINER - 50 HZ									
▶ 5CCSPHJ3-142	220-240/380-415	13.0/6.9	5	1.00	5		6 in. x 4 in.	260	A
▶ 5CCSPHK3-143	220-240/380-415	20.7-11.0	7-1/2	1.00	7-1/2		6 in. x 4 in.	270	B
▶ 5CCSPHL3-144	220-240/380-415	26.9-14.3	10	1.00	10		6 in. x 4 in.	280	C
▶ 5CCSPHM3-145	220-240/380-415	38.9-20.6	15	1.00	15		6 in. x 4 in.	300	D
ACCESSORIES FOR 5CSP/5CCSP SERIES									
PKG 184	Strainer for CSP/CCSP 6 in. ANSI flange (1,100 cu. in. capacity)					NSF ⁴	6 in. x 6 in.	180	I
PKG 184C	Same as PKG 184 Except Strainer is Epoxy Coated					NSF ⁴	6 in. x 6 in.	180	I
357262	Flange 4 in. w/ gasket and SS hardware ²							20	
357263	Flange 6 in. w/ gasket and SS hardware ²							23	

¹ Amp draw may vary depending on motor manufacturer. Full load amps on motor model plate.

² Thermoplastic PVC socket style.

³ Product may have been evaluated to other state and local regulatory standards. Listing status may change. Always confirm status with appropriate agency if in doubt.

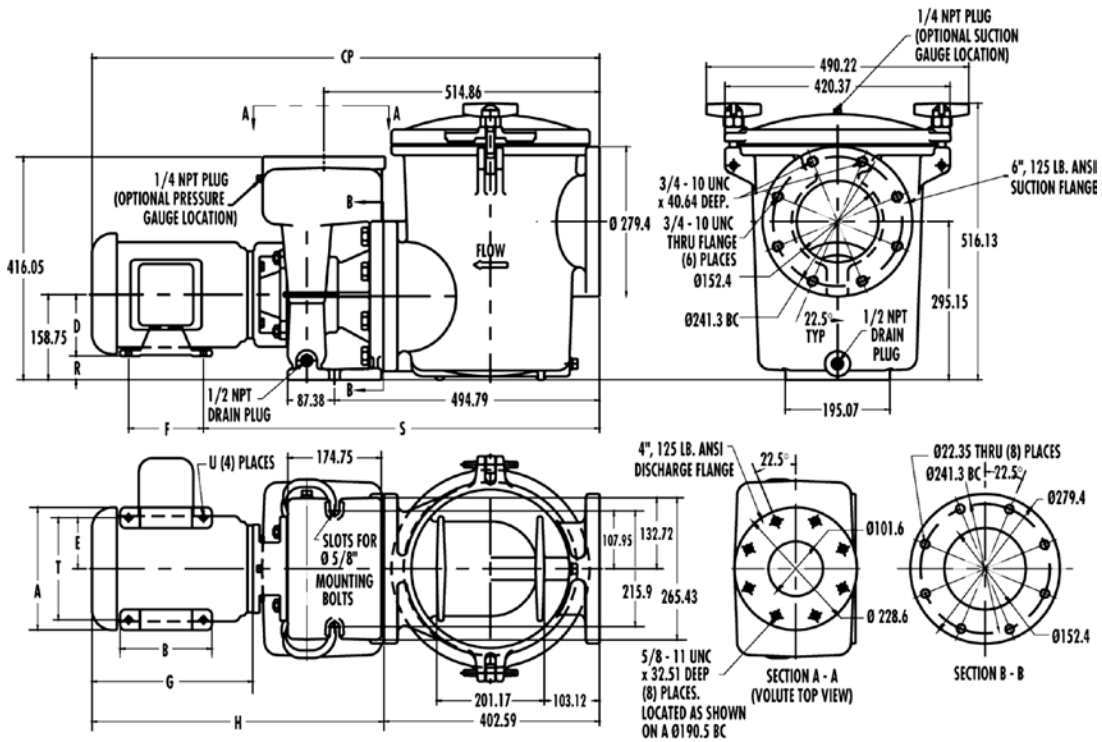
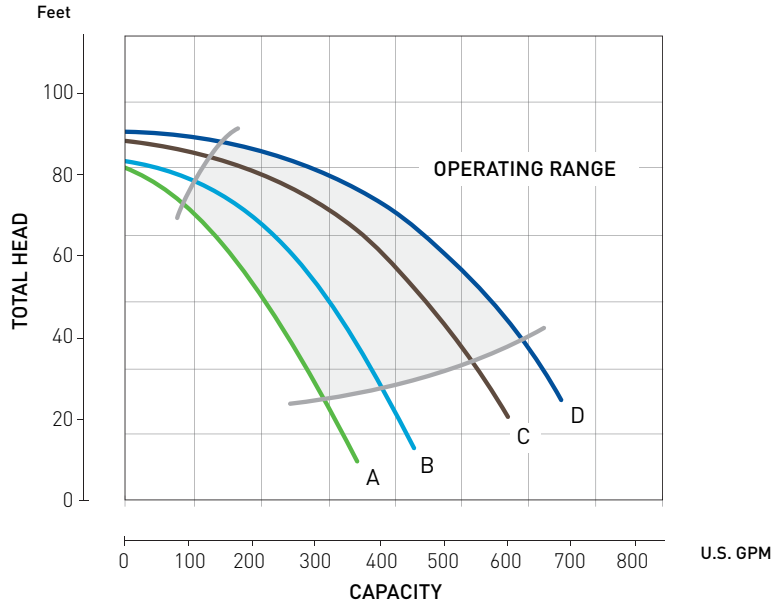
⁴ 'NSF(2)' indicates that product bears a mark signifying evaluation to NSF Standard 50 For Materials and Components.

See pages 278 for Hair and Lint Strainer Packages.

5CSP/5CCSP SERIES™

50 HERTZ COMMERCIAL SELF-PRIMING PUMP (CONT'D)

Dimensions and Performance



Catalog Number	A	B	CP	D	E	F	R	S	T
5CSPHJ	269.75	177.8	1039.62	133.25	107.95	139.7	25.4	733.3	215.9
5CSPHK	269.75	215.9	1075.69	133.25	107.95	177.8	25.4	733.3	215.9
5CSPHJ3	228.6	171.45	988.82	133.25	95.25	139.7	44.45	734.06	190.5
5CSPHK3	269.75	177.8	1039.62	133.25	107.95	139.7	25.4	733.3	215.9
5CSPHL3	269.75	215.9	1075.69	133.25	107.95	177.8	25.4	733.3	215.9
5CSPHM3	317.5	274.32	1185.67	158.75	127.0	209.55	—	793.75	254.0

All dimensions shown in millimeters.

D-SERIES™

CAST IRON SELF-PRIMING CENTRIFUGAL COMMERCIAL PUMP



D Series Cast Iron Self-Priming Centrifugal Commercial Pump

Featured Highlights

- Especially designed for commercial applications where high performance and self-priming characteristics are desired
- These self-priming, high performance pumps are available in high head and medium head models, providing a complete range of performance characteristics
- Motors are open drip-proof, continuous duty rated 3450 RPM.

CALIFORNIA PROPOSITION 65 WARNING

⚠️ **WARNING:** Cancer and Reproductive Harm.
 ⚠️ **AVERTISSEMENT:** Peut Causer le Cancer et des Dommages au Système Reproducteur.
 ⚠️ **ADVERTENCIA:** Cáncer y Daño Reproductivo.

www.p65warnings.ca.gov PN20074A

Ordering Information

Product	Voltage	Amps ¹	HP	Primary Listings and Certifications ³	Port Size (NPT)	Carton Wt. (Lbs.)	Curve Key
STANDARD EFFICIENCY THREE PHASE HIGH HEAD							
▶ DHH3-169	230/460	8.6/4.3	3	NSF ²	1-1/2 in.	135	A
▶ DMH3-171	230/460	8.6/4.3	3	NSF ²	2 in.	135	C
STANDARD EFFICIENCY THREE PHASE MEDIUM HEAD							
▶ DHJ3-170	230/460	13.2/6.6	5	NSF ²	2 in.	178	B
▶ DMJ3-172	230/460	13.2/6.6	5	NSF ²	2-1/2 in.	178	D

* 200 Volt models available. Contact factory for details.

¹ Dimensions and Max Load Amps may vary per motor manufacturer.

² 'NSF(1)' indicates that pump bears a mark signifying evaluation to NSF Standard 50 For Self-Priming Centrifugal Pumps For Swimming Pools, Spas and Hot Tubs when installed with a NSF certified Hair and Lint Strainer.

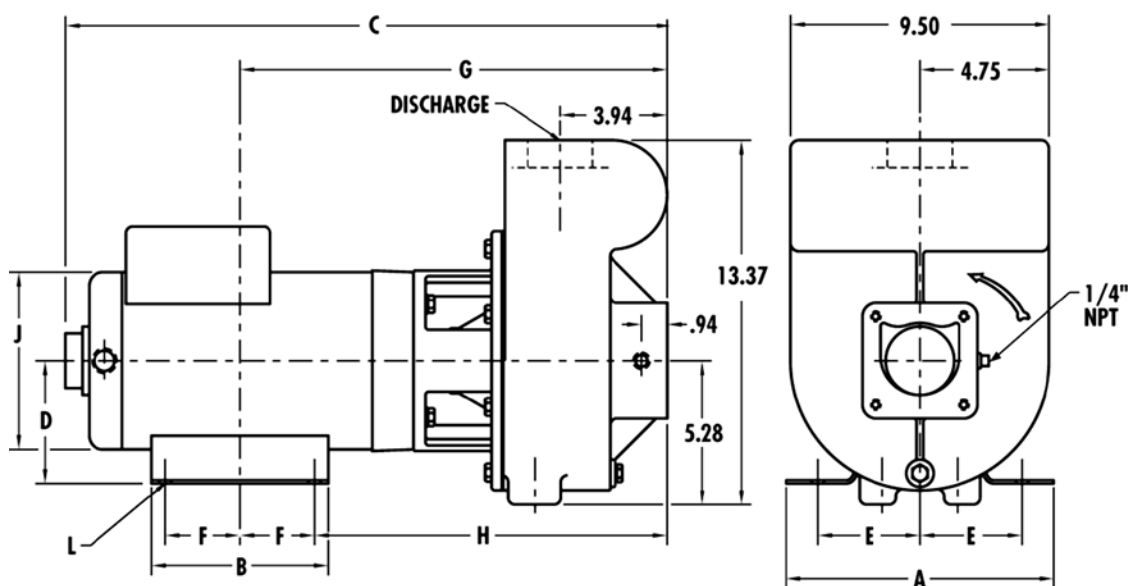
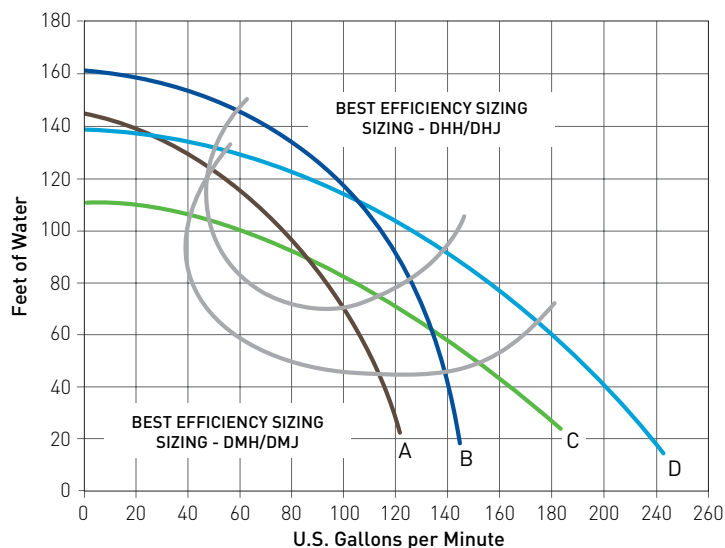
³ Product may have been evaluated to other state and local regulatory standards. Listing status may change. Always confirm status with appropriate agency if in doubt.

See page 278 for Hair and Lint Strainer Packages.

D-SERIES™

CAST IRON SELF-PRIMING CENTRIFUGAL COMMERCIAL PUMP (CONT'D)

Dimensions and Performance



Note: "L" mounting dimension: .44 Slot = 3/8 in. Bolt .34 Diameter = 5/16 in.

Catalog Number	HP	Discharge (NPT)	A	B	C*	D	E	F	G	H	J	L
DHH-169	3	1-1/2	8.75	6.50	21.37	4.50	3.75	2.25	15.21	12.96	6.51	.44 SLOT
DHH3-169	3	1-1/2	6.50	6.50	19.87	3.50	2.75	2.50	14.45	12.20	6.51	.34 DIA.
DHJ-170	5	2	8.75	6.50	22.12	4.50	3.75	2.75	15.71	12.96	6.51	.44 SLOT
DHJ3-172	5	2	8.75	6.50	21.62	4.50	3.75	2.25	15.21	12.96	6.50	.44 SLOT
DMH-171	3	2	8.75	6.50	21.37	4.50	3.75	2.25	15.21	12.96	6.51	.44 SLOT
DMH3-171	3	2	6.50	6.50	19.87	3.50	2.75	2.50	14.45	12.20	6.51	.34 DIA.
DMJ-172	5	2-1/2	8.75	6.50	22.12	4.50	3.75	2.75	15.71	12.96	6.51	.44 SLOT
DMJ3-172	5	2-1/2	8.75	6.50	21.62	4.50	3.75	2.25	15.21	12.96	6.50	.44 SLOT

See page 549 for replacement parts.

AURORA® 3800 SERIES AND 410 SERIES

END SUCTION AND SPLIT CASE PUMPS



3801

Featured Highlights

- Multiple configurations available
- Models to 100 ft. TDH
- Compatible with Acu Drive™ XS VF Drive
- Cast Iron Stainless Steel Fitted Models
- Flooded Suction applications
- Highly reliable performance
- NSF certified models available
- Various flow capabilities for all applications
- Epoxy Coating option available
- ODP and TEFC motors in Standard and Premium efficiency available
- PS Series In-line Strainers match up to most Aurora pumps.

Pentair now offers the Aurora 3800 Series End Suction and the 410 Series Split Case Pumps for commercial pools, spas, and other water applications. The 3800 and 410 Series are available in horizontal and vertical configurations in horsepower's to 150 and flows to 8,000 GPM.

Ordering Information

Product	Description	Carton Wt. (Lbs.)
Please contact our factory (1-800-831-7133) for applications sizing, pricing, and availability.		
AURORA PUMP ACCESSORIES FLANGE ASSEMBLY KITS		
357259	Flange 2-1/2 in. w/ gasket and SS hardware ¹	16
357260	Flange 5 in. w/ gasket and SS hardware ¹	22
357261	Flange 3 in. w/ gasket and SS hardware ¹	18
357262	Flange 4 in. w/ gasket and SS hardware ¹	20
357263	Flange 6 in. w/ gasket and SS hardware ¹	23

¹ Thermoplastic PVC socket style.

CALIFORNIA PROPOSITION 65 WARNING

▲ **WARNING:** Cancer and Reproductive Harm.
▲ **AVERTISSEMENT:** Peut Causer le Cancer et des Dommages au Système Reproducteur.
▲ **ADVERTENCIA:** Cáncer y Daño Reproductivo.

www.p65warnings.ca.gov
PR120174

BERKELEY® B-SERIES

CENTRIFUGAL COMMERCIAL PUMPS



Featured Highlights

Where a large volume of water is needed, in flooded suction applications, Berkeley brand pumps can accommodate almost any water-moving needs. For decades, Berkeley brand pumps have been well known for their water systems. Once recognized for only being affiliated with irrigation and water systems, Berkeley pumps are now available in many configurations to be used in the following applications:

- Water features
- Water parks
- Aquaculture
- Commercial pools and spas

The pumps included in the chart below show just a small sampling of the many pump sizes and designs that are available. In addition, we offer a wide range of gpm/head configurations; 1200, 1750, or 3450 rpm motors; 50 or 60 Hz; optional high-efficiency motors; voltage, horsepower, and service factor options; lead-free bronze impellers; flange or threaded connection in many sizes; and packing or mechanical shaft seal design pumps. Flooded suction required. For a complete selection guide to help you size the pump(s) that fits your needs, call our customer service at 1-800-831-7133, or use the convenient Berkeley Electronic Catalog (BEC) located at www.berkeleypumps.com.

- Berkeley pumps are not NSF approved.



Berkeley B-Series

CALIFORNIA PROPOSITION 65 WARNING
 ⚠️ WARNING: Cancer and Reproductive Harm.
 ⚠️ AVERTISSEMENT: Peut Causer le Cancer et des Dommages au Système Reproducteur.
 ⚠️ ADVERTENCIA: Cáncer y Daño Reproductivo.
www.p65warnings.ca.gov PB20214

Ordering Information

CALL FOR QUOTE

Product	General Pump Design Model	HP	Best Operating Performance G.P.M.	Connection at X ft. of Head	RPM	Flange (inches)
BERKELEY B-SERIES PUMPS						
B71943S	B3ZPMS	5 HP	350	40	1800	3 x 4
B71945S	B3ZPMS	7.5 HP	400	53	1800	3 x 4
B71947S	B3ZPMS	10 HP	500	60	1800	3 x 4
B71949S	B3ZPMS	15 HP	600	63	1800	3 x 4
B76775	B5EPHS	20 HP	950	60	1800	5 x 6
B76776	B5EPHS	25 HP	1050	65	1800	5 x 6
B75861	B4GPBHS	30 HP	1100	85	1800	4 x 6
B74945	B6JPBMS	40 HP	1500	80	1800	6 x 8
B76786	B8GPBMS	50 HP	2700	50	1800	8 x 10

Options: The above pumps have silicon bronze impellers, flanged connections, close-coupled, open drip-proof motors, and mechanical shaft seals. As mentioned in the text at the top of the page, many options are available. Please call our Customer Service at 800-831-7133 or try using the convenient "BEC" system at www.berkeleypumps.com.

HYDROBOOST® BOOSTER PUMP

PRESSURE-SIDE CLEANER PUMP

TRADEGRADE



HydroBoost Booster Pump

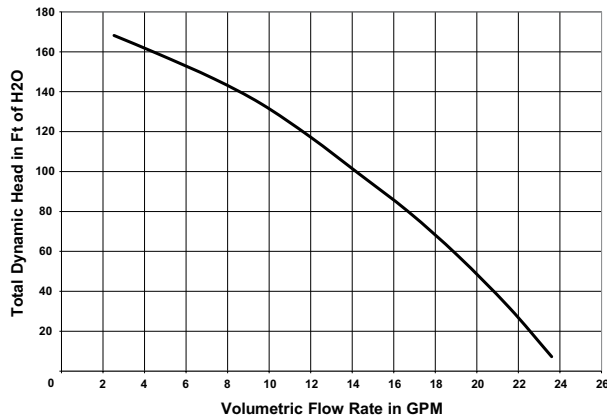
Featured Highlights

- Totally Enclosed Fan Cooled (TEFC) Motor to help reduce the chance of motor burnout
- Certified by ENERGY STAR®
- Quick installation
- Reliable operation
- THP: 0.8 WEF: 0.62

The HydroBoost Booster Pump provides high pressure water to your pressure side automatic pool cleaner. This booster pump is NOT self-priming and should not run unless the filter pump is running.

Ordering Information

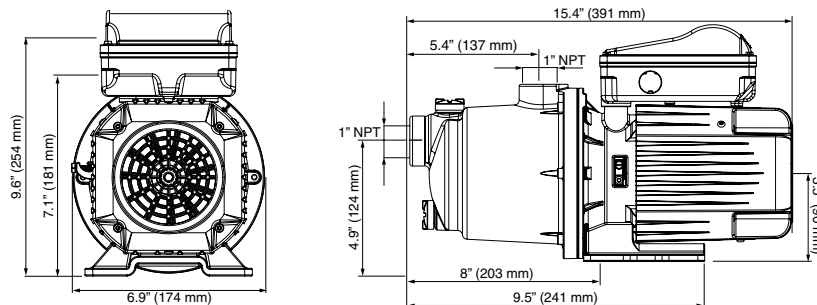
Product	Voltage	Full Load Amps	THP	WEF	Primary Listings and Certifications ²	Port Size (NPT)	Carton Wt. (Lbs.)
HYDROBOOST BOOSTER PUMP							
360526	115/230	9.0/4.5	0.8	0.62	UL ¹	1"	29.18
ACCESSORIES							
353040	Hose Kit (includes 3/4" - 1" Adapters (2); 6 ft. Hose (1))						



¹ 'UL' indicates that pump bears a specific UL mark signifying evaluation to U.S. Standards UL1081 for Permanently Connected Swimming Pool and Spa Pumps and to Canadian Standards CAN/CSA C22.2 No. 108-01 Liquid Pumps For Swimming Pools And Spas. (Enclosure 3).

² Product may have been evaluated to other state and local regulatory standards. Listing status may change. Always confirm status with appropriate agency if in doubt.

- **Pumps and replacement motors that are single speed and one (1) Total HP or greater cannot be sold, offered for sale, or installed in a residential pool for filtration use in California, Title 20 CCR sections 1601-1609.**



CALIFORNIA PROPOSITION 65 WARNING

⚠️ **WARNING:** Cancer and Reproductive Harm.
 ⚠️ **AVERTISSEMENT:** Peut Causer le Cancer et des Dommages au Système Reproducteur.
 ⚠️ **ADVERTENCIA:** Cáncer y Daño Reproductivo.

www.p65warnings.ca.gov. P1620174A

See page 552 for replacement parts.

BOOSTER PUMP

PRESSURE-SIDE CLEANER PUMP

Featured Highlights

- Use with all pressure-side pool cleaners
- Hose and adapters included
- Ideal for pressure-side Booster pump replacement

Combines ultimate performance with efficiency for pressure-side pool cleaner ease. The 3/4 HP booster pump is made from durable, corrosion-proof materials, and provides 50 psi at 12 GPM.



Booster Pump

Hose and adapters included



CALIFORNIA PROPOSITION 65 WARNING
 ⚠️ **WARNING:** Cancer and Reproductive Harm.
 ⚠️ **AVERTISSEMENT:** Peut Causer le Cancer et des Dommages au Système Reproducteur.
 ⚠️ **ADVERTENCIA:** Cáncer y Daño Reproductivo.
www.p65warnings.ca.gov P65B0714

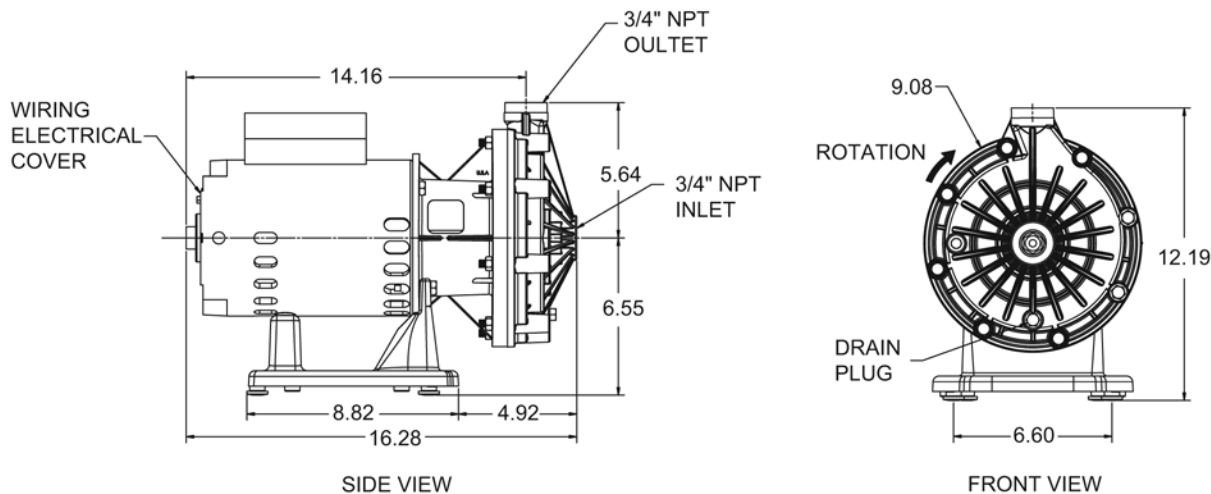
Ordering Information

Product	Voltage	Full Load Amps	HP	SF	SFHP	Primary Listings and Certifications ²	Port Size (NPT)	Carton Wt. (Lbs.)
ENERGY EFFICIENT SINGLE SPEED								
▶ LA01N	115/230	13.0/6.5	3/4	1.50	1.13	UL ¹	3/4 in. x 3/4 in.	32
ACCESSORIES								
353020	Booster Pump Hose Kit							4
370239	Booster Pump Adapter Kit (4 hose adapters in a bag, no hose)							

¹ 'UL(2)' indicates that pump bears a UL mark signifying evaluation to U.S. Standards UL1081 for Permanently Connected Swimming Pool Pumps Only.

² Product may have been evaluated to other state and local regulatory standards. Listing status may change. Always confirm status with appropriate agency if in doubt.

Dimensions and Performance



See page 554 for replacement parts.

▶ This product either meets or is exempt from the DOE Dedicated Purpose Pool Pump regulation. This product will remain available after the DOE regulation takes effect in July 2021.

PCD-1000 SUBMERSIBLE PUMP

STAINLESS STEEL SUBMERSIBLE POOL SERVICE PUMP



Submersible Pool Service Pump

Featured Highlights

- 115V, 60 Hz single phase, permanent split capacitor motor
- Automatic thermal overload protection
- Clog-resistant cast stainless steel impeller
- Accommodates water temperatures ranging from 32 degrees F to 130 degrees F
- Permanently lubricated ball bearings
- Equipped with 15-foot, 18/3 grounding type power cord
- Convenient top-mounted handle
- Rubber feet to reduce scratching
- Optional float switch included

The PCD-1000 submersible, portable, high capacity pump designed for use by the professional in draining pools and spas as well as for general purpose applications, now has improved flow rates, and stainless steel casing, suction strainer, impeller and shaft for greater corrosion resistance and longer service life.

The PCD-1000 can pump water down to 1-3/8 inches in depth. Debris and stones up to 3/4 inch are able to pass through the pump. It also features a 1-1/4 inch discharge port for faster draining. Discharge port adaptors are included. Optional float switch included; switch stops pump when low water level reached. Remove float switch for constant run.

CALIFORNIA PROPOSITION 65 WARNING
 ⚠️ **WARNING:** Cancer and Reproductive Harm.
 ⚠️ **AVERTISSEMENT:** Peut Causer le Cancer et des Dommages au Système Reproducteur.
 ⚠️ **ADVERTENCIA:** Cáncer y Daño Reproductivo.
www.p65warnings.ca.gov P182011A

Adaptors included:

- 1-1/4 in. Female NPT Elbow
- 1-1/4 in. Male NPT to 1-1/2 in. Female NPT Adaptor



Optional Float Switch Included



Ordering Information

Product	Description	Voltage	Full Load Amps	HP	Carton Wt. (Lbs.)
STAINLESS STEEL SUBMERSIBLE WITH BRASS BASE					
▶ PCD-1000	Submersible Utility Pump	115	6.4	3/4	15
ACCESSORIES					
ZBR46760	Replacement Float Switch				

Dimensions and Performance

Model	HP	Motor Full Load (Amps)	RPM	Minimum Circuit Req.	Liquid Temperature Range	Switch Setting		Pumps Down To
						On	Off	
PCD-1000	3/4	6.4	3450	15 amps	32/130°F 0/54°C	12" 30 cm	6" 15.2 cm	1 3/8" 3.5 cm

Pump Performance TDH/GPM						Shut Off Head
TDH	5'	10'	15'	20'	25'	28
GPM	55	45.5	36.5	25	8.5	N/A

▶ This product either meets or is exempt from the DOE Dedicated Purpose Pool Pump regulation. This product will remain available after the DOE regulation takes effect in July 2021.

PARTS-PAKS™ AND ACCESSORIES

POINT-OF-SALE, STOCK ROOM, SERVICE VEHICLE

OVERHAUL KITS – Attractive, clamshell packaging contains recommended parts for seal/gasket servicing or complete overhaul of most swimming pool/spa pumps. Reduce the need for large parts inventories, protect parts from damage, and reduce paperwork.

Ordering Information

Pump Model by HP				
Product	PE, P2R	PEA, P2RA	PR	PRA
SEAL/GASKET KITS – Include shaft seal, gaskets, and O-rings				
PP1010	1/3	1/3, 1/2		1/2
PP1011	1/2	3/4	1/2	3/4
PP1012			3/4	1
PP1014	3/4	1		
PP1016	1	1-1/2		
PP1017	2	2-1/2	2	2-1/2
PP1018	1-1/2	2		
PP1019	3			

CALIFORNIA PROPOSITION 65 WARNING

⚠ **WARNING:** Cancer and Reproductive Harm.
 ⚠ **AVERTISSEMENT:** Peut Causer le Cancer et des Dommages au Système Reproducteur.
 ⚠ **ADVERTENCIA:** Cáncer y Daño Reproductivo.

www.p65warnings.ca.gov



Pump Model by HP			
Product	CH, LT, L1	LHA, LTA, L1A	PCD
SEAL/GASKET KITS – Include shaft seal, gaskets, and O-rings			
PP1080	1/6		
PP1081	1/3	1/2	
PP1082	1/2	3/4	
PP1682			1/2

Pump Model by HP			
Product	P4E, P4R	P4EA, P4RA	MPRA, MPEA
SEAL/GASKET KITS – Include shaft seal, gaskets, and O-rings			
PP4010	3/4	1	
PP4011	1	1-1/2	
PP4012	1-1/2	2	
PP4013	2	2-1/2	
PP4014	3		
PP3010			3/4
PP3011			1
PP3012			1-1/2
PP3013			2

Product	Description	Carton Wt. (Lbs.)
SEAL/GASKET KITS – Include shaft seal, gaskets, and O-rings		
PP1075	LH, LHA, LT, LTA, L1, L1A - All HP	
PP3000	MPRA, MPEA - All HP	
PP1000	PE, PEA, PR, PRA, P2R, P2RA (models with copper insert pre-1998) - All HP	
PP4000	P4E, P4EA, P4R, P4RA (models with copper insert pre-1998) - All HP	
PP1200	PE, PEA, P2R, P2RA (models without copper insert beginning 1998) - All HP	
PP4200	P4E, P4EA, P4R, P4RA (models without copper insert beginning 1998) - All HP	
TRAP LID KITS – Include trap lid and trap lid o-ring		
PP2075	PE, PEA, PR, PRA, P2R, P2RA (with 5 in. trap – standard) - ALL HP	
PP4075	P4E, P4EA, P4R, P4RA, MPR, MPE (with 6 in. trap – standard) - ALL HP	
PUMP CONNECTOR UNION HALF (WILL NOT FIT DJ OR TP SERIES PUMPS)		
PKG 188Z	2 in. Union x 2 in. Slip, 2 per Pkg.	1
PKG 189	2 in. Union x 2 in. FPT, 2 per Pkg.	1
77703-0100	2 in. Union x 1-1/2 in. FPT, 2 per Pkg.	1
77703-0101	2 in. Union x 1-1/2 in. Slip, 2 per Pkg.	1
PUMP BASE NOISE REDUCER		
17350-0008	Rubber Pump Base Pad for MPR, P4R, P4E, TPR, TPE Models	1
SEAL KIT - CHEMICAL/SALT/OZONE RESISTANT EPDM & SS SEALS		
356196	Seal Quick Kit Max-E-Pro / IntelliPro and VS Pumps Chemical/Salt/Ozone Resistant EPDM & SS	1
356197	Seal Quick Kit SuperFlo /SuperMax and VS Pumps Chemical/Salt/Ozone Resistant EPDM & SS	
356198	Seal Quick Kit WhisperFlo/IntelliFlo and VS Pumps Chemical/Salt/Ozone Resistant EPDM & SS	
356199	Seal Quick Kit Challenger Pumps Chemical/Salt/Ozone Resistant EPDM & SS	

HAIR AND LINT STRAINER PACKAGES

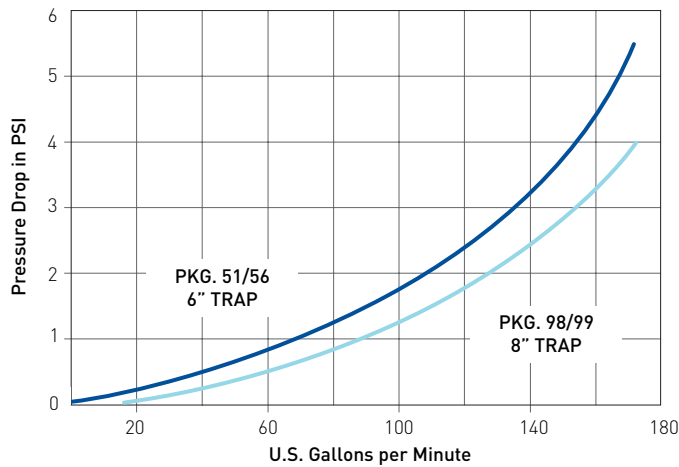


Ordering Information

Product	Description	Suction Port Size	Carton Wt. (Lbs.)
HAIR AND LINT STRAINER PACKAGES			
PKG 115	5 in. Trap with Basket (For Dura-Glas, Max-E-Glas and JWP Pumps)	1-1/2 in. NPT	5
PKG 51	6 in. Cast Iron Trap with Basket (For C, CC, and D Series Pumps)	2 in. NPT	20
PKG 56	6 in. Bronze Trap with Basket (For C, CC, and D Series Pumps)	2 in. NPT	20
PKG 98	8 in. Cast Iron Trap with Basket (For C, CC, and D Series Pumps)	3 in. NPT	40
PKG 76	Cast Iron Flange for Remote Trap Install	3 in. NPT	4
PKG 161	6 in. PPO Resin Strainer (For P2R, PE Series, Dura-Glas and Max-E-Glas Pumps)	2 in. NPT	6
PKG 184	CSP Series Hair and Lint Strainer (1100 cu. in. capacity)	6 in. ANSI Flange	180
PKG 184C	CCSP Series Hair and Lint Strainer – Coated (1100 cu. in. capacity)	6 in. ANSI Flange	180
PKG 73	3 in. Suction Flange (For C, CC, and D Series Pumps)		
PKG 72	2.5 in. Suction Flange (For C, CC, and D Series Pumps)		
PKG 52	1.5 in. Suction Flange (For C, CC, and D Series Pumps)		
PKG 53	1.5 in. Suction Flange (For C, CC, and D Series Pumps)		

CALIFORNIA PROPOSITION 65 WARNING
 ⚠️ **WARNING:** Cancer and Reproductive Harm.
 ⚠️ **AVERTISSEMENT:** Peut Causer le Cancer et des Dommages au Système Reproducteur.
 ⚠️ **ADVERTENCIA:** Cáncer y Daño Reproductivo.
www.p65warnings.ca.gov

Dimensions and Performance



PKG 76



PKG 98 - 8 in.

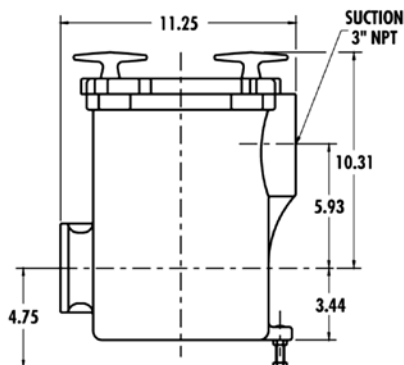


PKG 184 - 8 in.

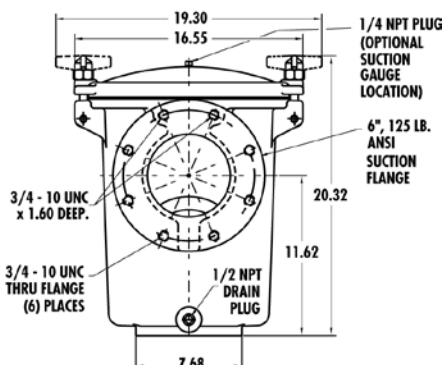


PKG 51 - 5 in. OR 6 in.

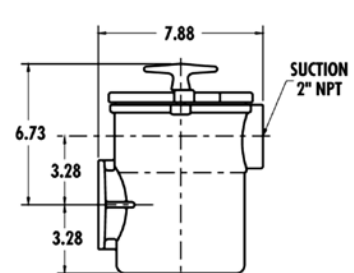
PKG 98/99 - 8 INCH TRAP



PKG 184/184C



PKG 51/56 - 6 INCH TRAP



PS SERIES™ IN-LINE STRAINER

FOR COMMERCIAL SERIES PUMPS

Featured Highlights

- Designed for hydraulic performance
- Clear lid with easy access allows for simple visibility of debris
- Extra large stainless steel strainer basket
- 50 psi rating
- NSF certified



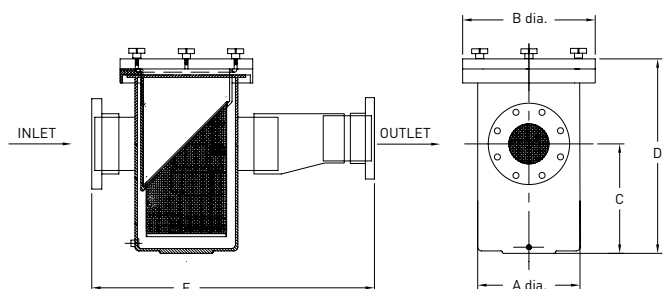
PS Series In-Line Strainer

CALIFORNIA PROPOSITION 65 WARNING
 ⚠️ **WARNING:** Cancer and Reproductive Harm.
 ⚠️ **AVERTISSEMENT:** Peut Causer le Cancer et des Dommages au Système Reproducteur.
 ⚠️ **ADVERTENCIA:** Cáncer y Daño Reproductivo.
www.p65warnings.ca.gov PS-2017-14

The Commercial PS Series In-Line Strainers from Pentair are designed for ease of installation and hydraulic efficiencies in commercial aquatics applications. In three standard sizes and with the addition of eccentric reducers PS Series strainers fit with almost any plumbing configuration. The design of the PS Series accommodates the high-flow performance in a variety of applications. ANSI flange bolt pattern allows for ease of installation and peace of mind.

Ordering Information

Product	Description	Flange Size		Typical Max. Flow (GPM)	A (Inches)	B (Inches)	C (Inches)	D (Inches)	E (Inches)
		Inlet (suction)	Outlet (pump)						
PS SERIES 6 INCH SUCTION									
PS6X6	Straight	6 in.	6 in.	540	12-3/4	16-1/2	13-5/8	25-1/2	23-5/8
PS6X5E	Eccentric Reducing	6 in.	5 in.	540	12-3/4	16-1/2	13-5/8	25-1/2	35-1/4
PS6X4E	Eccentric Reducing	6 in.	4 in.	540	12-3/4	16-1/2	13-5/8	25-1/2	32-7/8
PS6X3E	Eccentric Reducing	6 in.	3 in.	540	12-3/4	16-1/2	13-5/8	25-1/2	38
PS SERIES 8 INCH SUCTION									
PS8X8	Straight	8 in.	8 in.	930	12-3/4	16-1/2	13-5/8	25-1/2	23-3/8
PS8X6E	Eccentric Reducing	8 in.	6 in.	930	12-3/4	16-1/2	13-5/8	25-1/2	35-7/8
PS8X5E	Eccentric Reducing	8 in.	5 in.	930	12-3/4	16-1/2	13-5/8	25-1/2	43-1/2
PS8X4E	Eccentric Reducing	8 in.	4 in.	930	12-3/4	16-1/2	13-5/8	25-1/2	41-1/4
PS SERIES 10 INCH SUCTION									
PS10X10	Straight	10 in.	10 in.	1470	12-3/4	16-1/2	20-5/8	32-1/2	24-1/2
PS10X8E	Eccentric Reducing	10 in.	8 in.	1470	12-3/4	16-1/2	20-5/8	32-1/2	38-3/4
PS10X6E	Eccentric Reducing	10 in.	6 in.	1470	12-3/4	16-1/2	20-5/8	32-1/2	47
PS10X5E	Eccentric Reducing	10 in.	5 in.	1470	12-3/4	16-1/2	20-5/8	32-1/2	54-1/2
BASKETS									
67150	PS6 and PS8 Basket								
67152	PS10 Basket								



Dimensions and Performance

1. Select inlet size based on size of suction pipe. Use chart above to determine Typical Max. Flow in pipe size based on flow velocity of 6 fps.
2. Select strainer outlet size to match pump inlet where practical.
3. Also available with custom flange sizes. Call factory for more information.

CONVERSION REFERENCE CHARTS

1 U.S. Gallon/Minute = 0.22712470704 Cubic Meter/Hour
1 U.S. Gallon/Minute = 0.83267418463 UK Gallon/Minute
1 Foot of Water/Head = 0.30487804878 Meter of Water/Head
1 Foot of Water/Head = 0.43352750193 Pound/Square Inch

Pressure to Head Conversion		
Feet of Water	Meters of Water	PSI
10	3.05	4.34
20	6.10	8.67
30	9.15	13.01
40	12.20	17.34
50	15.24	21.68
60	18.29	26.01
70	21.34	30.35
80	24.39	34.68
90	27.44	39.02
100	30.49	43.35
110	33.54	47.69
120	36.59	52.02
130	39.63	56.36
140	42.68	60.69
150	45.73	65.03

Volumetric Flow Rate Conversion		
US Gallons per Minute	Cubic Meters per Hour	British Gallons per Minute
10	2.27	8.33
20	4.54	16.65
30	6.81	24.98
40	9.09	33.31
50	11.36	41.64
60	13.63	49.96
70	15.90	58.29
80	18.17	66.62
90	20.44	74.94
100	22.71	83.27
110	24.98	91.60
120	27.26	99.92
130	29.53	108.25
140	31.80	116.58
150	34.07	124.91
160	36.34	133.23
170	38.61	141.56
180	40.88	149.89
190	43.15	158.21
200	45.43	166.54
210	47.70	174.87
220	49.97	183.19
230	52.24	191.52
240	54.51	199.85
250	56.78	208.18
260	59.05	216.50
270	61.32	224.83
280	63.60	233.16
290	65.87	241.48
300	68.14	249.81
310	70.41	258.14
320	72.68	266.46
330	74.95	274.79
340	77.22	283.12
350	79.49	291.45
360	81.77	299.77
370	84.04	308.10
380	86.31	316.43
390	88.58	324.75
400	90.85	333.08



PENTAIR
POOL

SANITIZERS[‡] & WATER QUALITY

[‡]“Sanitizer” is an industry term of art and is not intended to imply any antimicrobial capabilities.

INTELLICHLOR®

SALT CHLORINE GENERATOR



IntelliChlor Salt Chlorine
Generator Cell

IntelliChlor Salt Chlorinator uses common table salt to produce the chlorine a pool needs, effectively, and automatically. No need for customers to buy, transport and store chlorine compounds.

IntelliChlor Salt Chlorine Generator Power Center
is designated **TRADEGRADE**

Featured Highlights

- Full diagnostic capabilities, including cell life tracking that communicates remaining hours of cell life in real-time. Captures all performance data daily (production settings, hours of operation, chlorine output, cell cleaning cycles, salt readings, and water temperature averages).
- Automatic shut-off feature prolongs cell life under low water temperature conditions
- Ability to communicate with all Pentair Automation systems
- 110 VAC or 220 VAC wiring (110 VAC only for IC15)
- Include 2 in. unions (IC15 unions adapt to 1 ½ in.)
- UL Listed
- Certified to NSF/ANSI 50
- Health Canada approved
- EPA number 102540-CA-2

CALIFORNIA PROPOSITION 65 WARNING

⚠ **WARNING:** Cancer and Reproductive Harm.
 ⚠ **AVERTISSEMENT:** Peut Causer le Cancer et des Dommages au Système Reproducteur.
 ⚠ **ADVERTENCIA:** Cáncer y Daño Reproductivo.
www.p65warnings.ca.gov

Ordering Information

Product	Description	Carton Qty.	Carton Wt. (Lbs.)
INTELLICHLOR SALT CHLORINE GENERATOR FOR UNITED STATES			
520888	IntelliChlor IC15 Cell for Smaller Pools (US Version) - includes External Power Supply		
521171	IntelliChlor Replacement External Power Supply for IC15		
520554	IntelliChlor IC20 Cell (US Version)	1	7
520555	IntelliChlor IC40 Cell (US Version)	1	14
521105	IntelliChlor IC60 Cell (US Version)	1	16
520556	IntelliChlor Power Center (US Version)	1	13
INTELLICHLOR SALT CHLORINE GENERATOR FOR CANADA			
522109	IntelliChlor IC15 (Canadian Version)	1	9
520911	IntelliChlor IC20 Cell (Canadian Version)	1	7
520912	IntelliChlor IC40 Cell (Canadian Version)	1	14
520910	IntelliChlor Power Center (Canadian Version)	1	14
INTELLICHLOR SALT CHLORINE GENERATOR ACCESSORIES			
520588	IntelliChlor pass-through cell for winter or start-up	1	3
520595	IntelliChlor replacement unions (contains 2 O-rings, 2 couplers, 2 nuts)	1	1
523103	Kit Acid Wash - Stand	1	2
520734	15 foot extension power cord	1	1
520736	IntelliChlor Flow Switch replacement kit	1	1
521147	IntelliChlor Orings - Pack of Ten	1	1
521248Z	IntelliChlor Power Center fuse holder replacement w/fuse 10A 250V	1	1
521034Z	IntelliChlor Power Center PC100 surge board replacement	1	1
521377	IntellipH canister with controller	1	18
521495	IntelliChlor IC15 Replacement Reducer Unions - 2 in. to 1-1/2 in. (contains 2 O-rings, 2 couplers, 2 nuts)	1	1
521633	IntelliChlor Debris Cross Guard - Pack of 5	1	1
522745	IntelliChlor Power Center automotive style fuse replacement (10A/ 58V Mini-blade)	5	1

*"Sanitizer" is an industry term of art and is not intended to imply any antimicrobial capabilities.

iCHLOR[®]

SALT CHLORINE GENERATOR

Featured Highlights

- Ability to operate at low flow rates (20 GPM)
- Adjust levels in one-percent increments from 1–100%
- Real-time data for fast and easy monitoring
- Electronics are isolated in the cell away from high-heat components —for long electronic component life
- SmartSense™ Flow Detection*, assesses status of the IntelliFlo® Pump before generating chlorine
- SmartSense Cover Detection*¹, reduces chlorine output when automatic pool cover is closed
- Choose from two model sizes based on pool capacity in gallons
- Indoor/Outdoor, vertical/horizontal installation
- 115/230V 50/60Hz Power Center
- EPA number 102540-CA-2

TRADEGRADE



iChlor Salt Chlorine Generator Cell

The chemistry behind the iChlor Salt Chlorine Generator makes it so simple to use—just add salt to generate the chlorine your pool needs. Our smart technology provides built-in intelligence for unmatched convenience and control.

CALIFORNIA PROPOSITION 65 WARNING

⚠ **WARNING:** Cancer and Reproductive Harm.
 ⚠ **AVERTISSEMENT:** Peut Causer le Cancer et des Dommages au Système Reproducteur.
 ⚠ **ADVERTENCIA:** Cáncer y Daño Reproductivo.
www.p65warnings.ca.gov

Ordering Information

Product	Description	Chlorine Per 24 Hours	Carton Qty.	Carton Wt. (Lbs.)
iCHLOR SALT CHLORINE GENERATOR FOR UNITED STATES				
523009	iChlor 30 Cell Only-Retail	1.0 Lbs	1	6
523010	iChlor 15 Cell Only-Retail	0.6 Lbs	1	6
523080	iChlor 15 PWR PCK 110-Bundle	0.6 Lbs	2	11
523081	iChlor 30 PWR CTR Bundle	1.0 Lbs	2	20
iCHLOR SALT CHLORINE GENERATOR FOR CANADA				
523108	iChlor 30 Cell Only-Canada	1.0 Lbs	1	6
523109	iChlor 15 PWR PCK Bundle-Canada	0.6 Lbs	2	11
iCHLOR SALT CHLORINE GENERATOR ACCESSORIES				
523100	Kit-Flow Switch-iChlor Replacement		1	1
523101	Kit-iChlor Adaptor (makes iChlor a direct drop in for IntelliChlor)		1	2
523102	Kit-iChlor Spacer (replaces cell allowing hydraulic system to run)		1	2
523103	Kit-Acid Wash - Stand		1	2
523104	Kit-iChlor 180 Degree Face Label		1	.25
iCHLOR SALT CHLORINE GENERATOR COVER KIT				
523216	Kit- PCBA Upgrade - PC100 - Cover Kit		1	1
ACCESSORIES				
522680Z	iChlor Clear Lid Replacement		1	1

*Only available on iChlor 30 (1.0) models

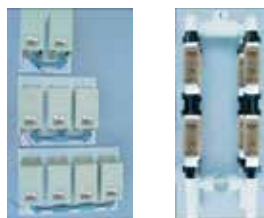
¹Requires separately purchased iChlor Cover Kit. Please refer to your pool cover manufacturer for additional instructions.

[†]"Sanitizer" is an industry term of art and is not intended to imply any antimicrobial capabilities.

COMMERCIAL INTELLICHLOR®

SALT CHLORINE GENERATOR

- Need 30 GPM per cell in manifold to trigger flow switch
- Power Centers are mounted on PVC boards and pre-wired for 220 VAC and ORP Controller



Possible Power Center and Manifold Configurations

IntelliChlor Salt Chlorine Generator uses common table salt to produce the chlorine a pool needs, effectively, and automatically.

Must use an external ORP Controller. We suggest Commercial IntelliChem Systems.



Featured Highlights

- Each single cell produces up to 2 lbs of chlorine per day
- Color LED status displays
- Performance data captured daily
- Automatic shut-off feature helps protect cell life
- Pre-mounted multi-power center configuration
- Must be used with an external ORP/pH Controller
- Self-cleaning
- Listed to UL 1563/CSA C22.2 No. 218-1
- Certified to NSF/ANSI 50
- EPA number 102540-CA-2

CALIFORNIA PROPOSITION 65 WARNING

⚠️ **WARNING:** Cancer and Reproductive Harm.
 ⚠️ **AVERTISSEMENT:** Peut Causer le Cancer et des Dommages au Système Reproducteur.
 ⚠️ **ADVERTENCIA:** Cáncer y Daño Reproductivo.

www.p65warnings.ca.gov PN100174

Ordering Information

PART NUMBER	DESCRIPTION	NUMBER OF PRIMARY (P) AND SECONDARY (S) IC60 CELLS	NUMBER OF PRIMARY POWER CENTERS (520978)	NUMBER OF SECONDARY POWER CENTERS (520556)	CHLORINE PER 24 HRS (LBS.)	POOL VOLUME (GAL) ¹
520970	COMSYS-2	1P	1	0	2	10,000
520971	COMSYS-4	1P, 1S	1	1	4	20,000
520972	COMSYS-6	1P, 2S	1	2	6	30,000
520973	COMSYS-8	1P, 3S	1	3	8	40,000
520974	COMSYS-10	1P, 4S	1	4	10	50,000
520975	COMSYS-12	1P, 5S	1	5	12	60,000
520976	COMSYS-14	1P, 6S	1	6	14	70,000
520977	COMSYS-16	1P, 7S	1	7	16	80,000

¹ Commercial pools typically require 2 lbs. of chlorine production per every 10,000 gallons. Please consult your local codes for chlorine production requirements.

Note: COMSYS-System includes: Primary Cell, Secondary Cells, Primary Power Center, Secondary Power Centers, and the manifold.

* Call factory for sizing Commercial IntelliChlor systems for pools larger than 80,000 gallons.

COMMERCIAL INTELLICHLOR SALT CHLORINE GENERATOR FOR UNITED STATES		
521151	IntelliChlor CIC60P Replacement Primary Commercial Cell	1
521005	IntelliChlor CIC60S Replacement Secondary Commercial Cell	1
520978	IntelliChlor IC60P Replacement Primary Power Center	1
520556	IntelliChlor Replacement Secondary Power Center	1
P104-1	IntelliChlor Surge Board with ORP (Commercial)	1

For replacement parts please call Technical Service at 1-800-831-7133.

*"Sanitizer" is an industry term of art and is not intended to imply any antimicrobial capabilities.

CHEMCHECK™

WATER QUALITY MONITORING SYSTEM

Featured Highlights

- Continuously monitors pool water chemistry performance and pool water temperature
- Sends alerts to a smart device when pool or spa water needs attention through the easy-to-use Pentair Home app
- Recommends ideal chemical dosage to keep the pool water balanced
- Keeps a record of all pool water chemistry information



ChemCheck Water Quality Monitoring System

ChemCheck stays one step ahead of pool water chemistry using Oxidation Reduction Performance (ORP). ORP analyzes more than just the amount of chemicals in the water, but also how well those chemicals are performing.

ChemCheck monitors pH levels and other factors to help determine the correct actions that are right for the pool – and sends alerts and advice directly to smart device using the Pentair Home app.

Ordering Information

Product	Description	Weight	Dimensions
CHEMCHECK WATER QUALITY MONITORING SYSTEM			
523402	ChemCheck Battery Control Unit	8 lbs	16.25" L x 13.375" W x 9.5" H
523476	ChemCheck 120V Control Unit	8 lbs	16.25" L x 13.375" W x 9.5" H

See page 558 for replacement parts.

*"Sanitizer" is an industry term of art and is not intended to imply any antimicrobial capabilities.

INTELLICHEM® CHEMICAL CONTROLLER

TRADEGRADE



IntelliChem Chemical Controller



Chemical Tanks with on board pumps

IntelliChem Chemical Controller can work independently or in conjunction with other Pentair automation products. It's built-in Langelier Saturation Index calculator lets pool owners know when the water is in or out of balance. IntelliChem Chemical Controller uses the same technology found in commercial installations, water parks, hotel and community pools.

Featured Highlights

- Auto Setup/Configuration wizard makes start-up quick and easy
- Programmable chemical feed cycle and mix times for precise water balance
- Aids in better water conditions by minimizing excess chemical addition
- Built-in Langelier Saturation Index calculator lets you know when your water chemistry is in or out of balance
- Reduces chemical costs by adding chemicals with precision
- Flow sensor ensures chemicals won't feed without system flow
- Password-protected access prevents tampering or accidental program change
- Seamless interface with IntelliTouch®, EasyTouch®, SunTouch® Automation Systems and ScreenLogic2® Interface for chemical management
- Compatible with IntelliChlor® Salt Chlorine Generators, external dosing pumps, and CO₂ systems

CALIFORNIA PROPOSITION 65 WARNING

⚠ **WARNING:** Cancer and Reproductive Harm.
 ⚠ **AVERTISSEMENT:** Peut Causer le Cancer et des Dommages au Système Reproducteur.
 ⚠ **ADVERTENCIA:** Cáncer y Daño Reproductivo.
www.p65warnings.ca.gov

Ordering Information

Product	Description	Application
INTELLICHEM CHEMICAL CONTROLLER		
521357	Controller Only	For systems using external feed pumps, IntelliChlor, or CO ₂ . Containers ordered separately. The 521357 Controller is NSF certified.
522621	Controller and Acid Tank with Tank Mounted Pump ^{1,2}	For systems requiring a tank and pump for feeding liquid acid
522622	Controller and Acid and Chlorine Tanks with Tank Mounted Pumps ^{1,2}	For systems requiring tanks and pumps for feeding liquid acid and chlorine
INTELLICHEM CHEMICAL CONTROLLER ACCESSORIES		
522472	Acid Tank with Tank Mounted Pump ^{1,2}	Convenient and innovative container for storing and feeding liquid acid. No external pump required.
522473	Chlorine Tank with Tank Mounted Pump ^{1,2}	Convenient and innovative container for storing and feeding liquid chlorine. No external pump required
521378	Acid Container ¹ without pump	Convenient and innovative container for storing muriatic acid (must provide separate external pump or can be upgraded with the new pump on tank PN 522474)
521397	Chlorine Container without pump	Convenient and innovative container for storing chlorine (must provide separate external pump or can be upgraded with the new pump on tank PN 522474)
522480	Stenner Blue Pump on Tank Tube ² Replacement (2/pk)	Replacement tubes for blue tank mounted pump
522474	Upgrade Kit for IntelliChem Container	Upgrade older non-pump containers (521378 & 521397) with the new tank mounted pump
522478Z	Upgrade Kit for IntelliChem Controller	Upgrade controller only systems to use the new tank mounted pumps
714000070	CO ₂ Kit w/Diffuser, Solenoid, Regulator	For systems using CO ₂ to lower pH levels.
521622	IntelliChem Winterizing Kit	Includes protective end caps and solution for storing pH and ORP probes in freezing climates
521498	IntelliChem Flash Programming Kit	Upgrade IntelliChem Chemical Controllers to the latest firmware for added functionality and improved performance

¹ Pentair always recommends 1:1 dilution when using full strength muriatic acid. When mixing, remember to always add acid to water.

² Pentair recommends replacing peristaltic pump tubes every 6 months.
 Note: Always try to position container off the equipment pad (if possible).



See page 559–560 for replacement parts.

*"Sanitizer" is an industry term of art and is not intended to imply any antimicrobial capabilities.

COMMERCIAL INTELLICHEM®

COMMERCIAL CHEMICAL CONTROLLER

Featured Highlights

- Dual sanitizer† support
- Programmable chemical feed cycle and mix times for more precise water balance
- Aids in safer water conditions by preventing excess chemical addition in a 24 hour period
- Built-in Langelier Saturation Index calculator lets you know when your water chemistry is perfectly in or out of balance
- Flow sensor ensures chemicals won't feed without system flow
- Password-protected access prevents tampering or accidental program change
- Use of ScreenLogic2® on iOS® device offers the ability to keep track of pH, ORP, Temperature and Calculated PPM (cPPM) levels and make adjustments locally or remotely
- Compatible with IntelliChlor® Salt Chlorine Generators, external dosing pumps, and CO₂ systems
- Title-22 Compliant
- IntelliChem Commercial iOS device is available on Apple® App Store®
- 30-day data log storage of pH, ORP, cPPM and temperature
- Battery backup for RealTime Clock (RTC)



Commercial IntelliChem
Chemical Controller

CALIFORNIA PROPOSITION 65 WARNING

⚠️ **WARNING:** Cancer and Reproductive Harm.
 ⚠️ **AVERTISSEMENT:** Peut Causer le Cancer et des Dommages au Système Reproducteur.
 ⚠️ **ADVERTENCIA:** Cáncer y Daño Reproductivo.
www.p65warnings.ca.gov

Ordering Information

Product	Description	Application
COMMERCIAL INTELLICHEM CHEMICAL CONTROLLER		
523478	IntelliChem Commercial System No pump	The 523478 Controller is ETL certified to NSF 50 Standard. Does NOT include ScreenLogic, but available as an option.
522577	IntelliChem Commercial System 1 pump ^{1,2}	Dual support w/standalone ScreenLogic remote PC and iOS device connectivity. Pre-mounted and pre-wired on 2x2 plastic backboard. Containers ordered separately. The 522577 Controller is ETL certified to NSF 50 Standard.
522578	IntelliChem Commercial System 2 pumps ^{1,2}	Dual support w/standalone ScreenLogic remote PC and iOS device connectivity. Pre-mounted and pre-wired on 2'x2' plastic backboard. Containers ordered separately. The 522578 Controller is ETL certified to NSF 50 Standard
INTELLICHEM CHEMICAL CONTROLLER ACCESSORIES		
523492Z	Stenner 50GPD External Pump ^{1,2}	50GPD Stenner pump for feeding liquid acid or chlorine
523493	Stenner 50GPD Pump Tube 2 pk. ^{1,2}	50GPD Stenner pump tubes for every 6-month replacement
523494	Stenner 50GPD Pump Tube 5 pk. ^{1,2}	50GPD Stenner pump tube for every 6-month replacement

¹ Pentair always recommends 1:1 dilution when using full strength muriatic acid. When mixing, remember to always add acid to water.

² Pentair recommends replacing peristaltic pump tubes every 6 months.
 Note: Always try to position container off the equipment pad (if possible).

iOS® is a registered trademark of Cisco Technology, Inc. in the United States and/or other countries.

Apple® and App Store® are registered trademarks of Apple Inc., in the United States and/or other countries.



See page 561 for replacement parts.

†“Sanitizer” is an industry term of art and is not intended to imply any antimicrobial capabilities.

INTELLIPH® PH CONTROLLER

CHEMICAL CONTROLLER

TRADEGRADE



IntellipH Controller
Requires IntelliChlor Generator
Version 3 (2010 +)

Featured Highlights

- Can help protect pool equipment from corrosion when pH swings in and out of balance
- Acid dispensing rate adjusts with the touch of a button
- Bolts securely to the equipment pad to help prevent poolside acid spills
- Powered by either IntelliChlor® Salt Chlorine Generator Power Center or EasyTouch® or IntelliTouch® Automation system with IntelliChlor Generator support for easy wiring and installation
- UL and cUL listed
- One-year limited warranty on electronics and metering pump
- New pump design allows for tool-less pump tube replacement

IntellipH Controllers is a convenient way to regulate a swimming pool's pH level. It automatically dispenses muriatic acid into the pool to help reduce fluctuations in the pH level. IntellipH is the perfect companion for the IntelliChlor Salt Chlorine Generator and together they can help balance pool water to keep it sparkling.

Ordering Information

Product	Description
INTELLIPH	
521377	IntellipH controller with acid container ¹
522480	Stenner replacement head pump tubes 2-pk ²

¹ Pentair always recommends 1:1 dilution when using full strength muriatic acid. When mixing, remember to always add acid to water.

² Pentair recommends replacing peristaltic pump tubes every 6 months.

Note: Always try to position container off the equipment pad (if possible).



CALIFORNIA PROPOSITION 65 WARNING

⚠ **WARNING:** Cancer and Reproductive Harm.

⚠ **AVERTISSEMENT:** Peut Causer le Cancer et des Dommages au Système Reproducteur.

⚠ **ADVERTENCIA:** Cáncer y Daño Reproductivo.

www.p65warnings.ca.gov PH 201714

See page 562 for replacement parts.

QUIKPURE3® OZONE SYSTEM COMPLETE

Featured Highlights

- Convenient dual voltage design (110v or 220v) and plug-in UV bulb
- Available in 25,000- and 50,000-gallon capacity units
- EPA number 102540-AZ-1



QuikPure3 25,000 Gallon
(Stand Pipe)

Pentair QuikPure3 releases ozone into the pool, which reduces the amount of chlorine needed to maintain proper water chemistry. Reducing the amount of chlorine needed helps relieve the potential for irritated eyes and itchy skin.*

Ordering Information

Product	Product Name & Description
381100	QuikPure3 25,000 Gallon (Stand Pipe)
381250	QuikPure3 50,000 Gallon (Stand Pipe)
383101	QuikPure3 25,000 Gallon (No Stand Pipe)
383201	QuikPure3 50,000 Gallon (No Stand Pipe)
381110	QuikPure3 25,000 Gallon (Stand Pipe) 6 Pack
381210	QuikPure3 50,000 Gallon (Stand Pipe) 6 Pack
383110	QuikPure3 25,000 Gallon (No Stand Pipe) 6 Pack
383220	QuikPure3 50,000 Gallon (No Stand Pipe) 6 Pack

CALIFORNIA PROPOSITION 65 WARNING

⚠️ **WARNING:** Cancer and Reproductive Harm.
 ⚠️ **AVERTISSEMENT:** Peut Causer le Cancer et des Dommages au Système Reproducteur.
 ⚠️ **ADVERTENCIA:** Cáncer y Daño Reproductivo.

www.p65warnings.ca.gov. PR20171A

*<https://www.cdc.gov/healthywater/swimming/swimmers/rwi/chemical-irritants.html>

**“Sanitizer” is an industry term of art and is not intended to imply any antimicrobial capabilities.

QUIKPURE3® OZONE SYSTEM

PARTS & ACCESSORIES



QuikPure3 4-Pin Lamp
(1-25 Or 2-50)



QuikPure3 Ballast
(1-25 Or 2-50)



QuikPure3 Auto Feed Kit



QuikPure3 Micro Switch
Pin Plunger



QuikPure3 Orifice Check
Valve Assembly



QuikPure3 Air Bleed Kit



Ozone Injector Manifold
with Tubing Kit



Ozone Injector
Manifold Tubing Kit
with Check Valve

Ordering Information

Product	Product Name & Description
391270	QuikPure3 4-Pin Lamp (1-25 or 2-50)
391205	QuikPure3 Ballast (1-25 or 2-50)
391060	QuikPure3 Auto Feed Kit
391050	QuikPure3 Micro Switch Pin Plunger
391034	QuikPure3 Orifice Check Valve Assembly
391001	QuikPure3 Air Bleed Kit
391130	QuikPure2 Ballast 25 (Old Style)
391230	QuikPure2 Ballast 50 (Old Style)
399150	Ozone Injector Manifold with Tubing Kit
399180	Ozone Injector Manifold Tubing Kit with Check Valve

CALIFORNIA PROPOSITION 65 WARNING

⚠️ **WARNING:** Cancer and Reproductive Harm.
 ⚠️ **AVERTISSEMENT:** Peut Causer le Cancer
 et des Dommages au Système Reproducteur.
 ⚠️ **ADVERTENCIA:** Cáncer y Daño Reproductivo.

www.p65warnings.ca.gov

*"Sanitizer" is an industry term of art and is not intended to imply any antimicrobial capabilities.

BIOSHIELD® UV SYSTEM

TRADEGRADE



NSF Recreational Water
CCS-18325

BioShield UV System is listed under NSF as a Water Conditioning Device.

Featured Highlights

System Features:

- Housing Material: Heavy-Wall UV Resistant High-Density Polymer
- Housing Pressure (Max.): 50 psi / 3.4 bar
- Housing Inlet/Outlet Port Size: 2", 2.5", or 3" Union
- UV Lamp(s): Low-Pressure High-Output, T6-style
- EPA number 091668-FL-001

BioShield UV system feature Low Pressure High Output (LPHO) lamps that offer approximately twice the UV output of standard Low Pressure (LP) lamps with the same arc length. UV vessels are built of a UV-resistant, high density polymer with a removable end cap to provide easy internal access. Viewing ports allow visual indication of lamp status. Units are made with a 5-3/4" diameter housing and have inlet/outlet ports fittings to accommodate 2", 2.5", and 3" plumbing. Ballast comes with a 10' cable to lamp, 6' power cord and 10' cable to flow switch. Flow switch comes with 10' cable. 115V and 230V units are available. Models include an in-line, sealed water-tight power supply for wet applications.

Ordering Information

MODEL	INPUT WATTS	UV-C OUTPUT WATTS	UV VESSEL DIMENSIONS	VOLTAGE	AMPS MAX LOAD	30 MJ/CM ² GPM/LPM	40 MJ/CM ² GPM/LPM	60 MJ/CM ² GPM/LPM
HIGH-OUTPUT								
522635	50	15	30" x 6"	115/230V	1.15/0.57	31/117	25/94	16/60
522636	80	27	45" x 6"	115/230V	1.15/0.57	56/211	45/170	30/113
522637	120	37	57" x 6"	115/230V	1.15/0.57	79/299	62/234	41/155
522638	150	57	71" X 6"	115/230V	1.85/0.85	128/448	100/378	64/242

PREVIOUS			CURRENT XF						
WATTS	SEAL KITS	BALLAST	SEAL KITS	BALLAST	FLOW SWITCH	4-PIN LAMP CONNECTOR	LAMP SPACER	LAMP	QUARTZ SLEEVE
HIGH-OUTPUT REPLACEMENT PARTS									
50	523031	523032	523383	523460	523458	523034	523423	523035	523039
80	523031	523032	523383	523460	523458	523034	523423	523036	523040
120	523031	523032	523383	523460	523458	523034	523423	523037	523041
150	523031	523033*	523383	523462	523458	523034	523423	523038	523042
150	523031	523053**			523458	523034	523423	523038	523042

* 115V Only
** 230V Only

ACCESSORIES

523098 Clamp Kit

CALIFORNIA PROPOSITION 65 WARNING
 ⚠️ **WARNING:** Cancer and Reproductive Harm.
 ⚠️ **AVERTISSEMENT:** Peut Causer le Cancer et des Dommages au Système Reproducteur.
 ⚠️ **ADVERTENCIA:** Cáncer y Daño Reproductivo.
www.p65warnings.ca.gov P65/05/14

See page 564 for replacement parts or call
 Technical Service at 1-800-831-7133.



BIOSHIELD® PRO UV SYSTEM

Featured Highlights

- High quality and easy installation.
- Custom ballasts rated for indoor and outdoor use.
- Separate ballasts for installation versatility.
- Designed for use in small places and easy to hide.
- Flow switch turn-off at no flow, regardless of pressure.
- Easy drain for quick maintenance.
- Internal air bleed helps prevent trapped air in the top of the vessel.
- Automation ready.
- NSF certified; Pentair is the first to have NSF certification for a water conditioning device.
- Reduces combined chloramine by as much as 25%*.
- EPA number 091668-FL-001

BioShield Pro is the answer for a UV system that's effective, affordable and NSF certified. High in quality and oh-so-easy to install, BioShield Pro has the same benefits as our residential BioShield UV System, only in a commercial body.



TRADEGRADE



Bioshield Pro
UV System

CALIFORNIA PROPOSITION 65 WARNING
 ⚠️ **WARNING:** Cancer and Reproductive Harm.
 ⚠️ **AVERTISSEMENT:** Peut Causer le Cancer et des Dommages au Système Reproducteur.
 ⚠️ **ADVERTENCIA:** Cáncer y Daño Reproductivo.
www.p65warnings.ca.gov PN202734

Ordering Information

Product	# Lamps	Flange	Voltage	Amps (max)	GPM @40mJ
BIOSHIELD PRO UV SYSTEM					
523575	2	4"	120/240V	2.30/1.14	136
523576	4	4"	120/240V	4.60/2.28	256
523577	4	6"	120/240V	4.60/2.28	360
523578	5	6"	120/240V	5.75/2.85	430
523579	5	8"	120/240V	5.75/2.85	550
523580	6	8"	120/240V	6.90/3.42	640

*Devices evaluated for a reduction in Combined Chlorine have demonstrated a 25% or 0.25 mg/L, whichever is greater, reduction during the test period as compared to the baseline period.

See page 565 for replacement parts.

*"Sanitizer" is an industry term of art and is not intended to imply any antimicrobial capabilities.

COMMERCIAL BIOSHIELD® CLP UV SYSTEM



Establishing a quality swimming facility begins at the pool design stage. Pentair BioShield Commercial low pressure UV systems help to achieve a more enjoyable swimming experience.

Featured Highlights

- Efficient Low Pressure UV converts up to 30-40% energy into UV-C light
- UV inhibited Schedule 80 PVC vessels stand up to UV degradation and corrosion caused by pool water
- NSF certified with flow rates up to 2,335 GPM
- Quality, low-pressure Amalgam UV lamps
- UL 508 Listed
- Single-end UV lamp and quartz sleeve access for easy servicing
- Choice of input / output piping connections
- Enhanced, state of the art electronic ballast, sized precisely to the lamp's power requirement, ensures optimal UV-C output and maximum useful lamp life
- EPA number 091668-FL-001

Micro-Processor Standard Features

- Touch Screen Interface
- Power Enclosure Over-Temp. Safety Shut-Down
- Vessel Over-Temp. Safety Shut-Down
- Individual Lamp Status and Re-settable Hour Meter
- Master System Hour Meter
- Output Alarm Relay
- UV Intensity Monitor
- Thermoplastic NEMA 12 Enclosure
- External Power Switch
- 20 Foot Lamp Cables
- Enclosure Cooling Fan



CALIFORNIA PROPOSITION 65 WARNING
 ⚠️ **WARNING:** Cancer and Reproductive Harm.
 ⚠️ **AVERTISSEMENT:** Peut Causer le Cancer et des Dommages au Système Reproducteur.
 ⚠️ **ADVERTENCIA:** Cáncer y Daño Reproductivo.
www.p65warnings.ca.gov P65.00114

*"Sanitizer" is an industry term of art and is not intended to imply any antimicrobial capabilities.

COMMERCIAL BIOSHIELD® CLP UV SYSTEM

SIZING YOUR BIOSHIELD UV SYSTEM

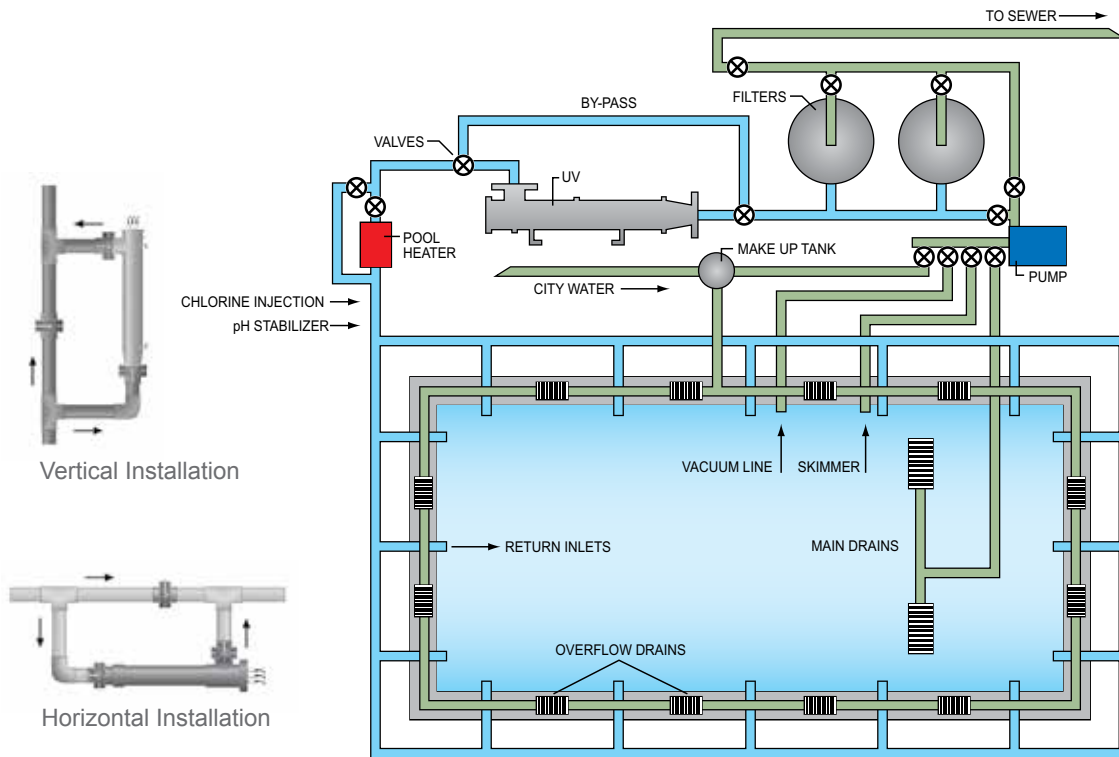
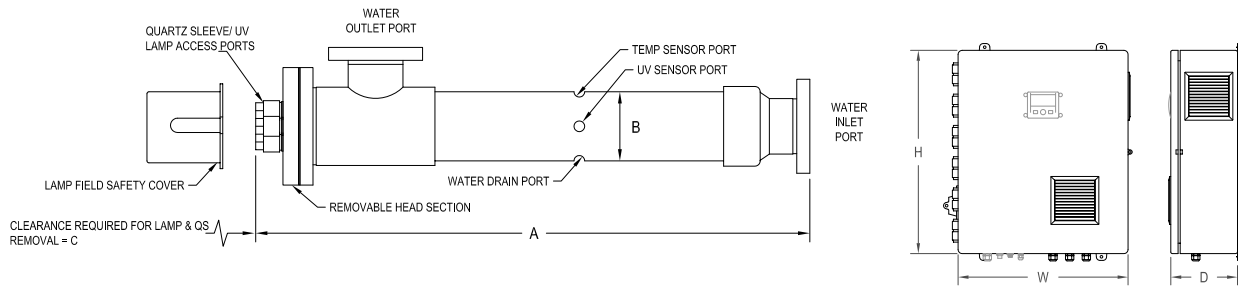
1. Establishing flow rate requirements in GPM is critical to selecting the correct UV system for your application.
2. Know your UVT and dose requirement. UVT is the measure of UV-C light transmittance (254nm) in water. Dose is a factor of UV light intensity and contact time.
3. Choose your BioShield UV system model. Select desired dose column below. Identify maximum flow rate that meets system flow rate requirement. Complete this step for model CLP4 or CLP6 and with provided vessel and power enclosure dimensions, choose the best model suited for the mechanical space. *Note max flow rate for desired port size on each model.

Model ¹	Lamps/ Watts	Max Flow Rate (GPM) 40 mJ/cm ²	Max Flow Rate (GPM) 60 mJ/cm ²	Port Size ¹	Max. Flow	Amps Max Load	UV Vessel Dimensions ² (A x B x C)	Power Enclosure Dimensions (H x W x D)	Max. PSI
ONLY AVAILABLE IN 120VAC									
CLP41A6-XN	1/130	49	33	2"	64	2.1/1.0	56" x 6" x 47"	24.6" x 20.2" x 10.6"	100
CLP42A6-XN	2/130	90	60	3"	144	3.9/2.0	56" x 6" x 47"	24.6" x 20.2" x 10.6"	100
CLP43A6-XN	3/130	125	83	3"	144	5.8/2.9	56" x 6" x 47"	24.6" x 20.2" x 10.6"	100
				4"	251				
CLP43A8-XN	3/130	167	111	4"	251	5.8/2.9	62" x 8" x 51"	24.6" x 20.2" x 10.6"	100
CLP44A8-XN	4/130	227	151	4"	251	7.5/3.7	62" x 8" x 51"	24.6" x 20.2" x 10.6"	100
				6"	569				
CLP45A8-XN	5/130	272	181	4"	251	9.4/4.7	62" x 8" x 51"	30.5" x 24.9" x 12.6"	100
				6"	569				
CLP46A10-XN	6/130	365	244	6"	569	11.2/5.6	64" x 10" x 51"	30.5" x 24.9" x 12.6"	75
CLP47A10-XN	7/130	430	287	6"	569	13.3/6.5	64" x 10" x 51"	30.5" x 24.9" x 12.6"	75
				8"	996				
CLP47A12-XN	7/130	492	328	6"	569	13.3/6.5	69" x 12" x 51"	30.5" x 24.9" x 12.6"	50
				8"	996				
CLP48A12-XN	8/130	555	369	6"	569	15.0/7.5	69" x 12" x 51"	30.5" x 24.9" x 12.6"	50
				8"	996				
ONLY AVAILABLE IN 240VAC									
CLP61A6-XN	1/320	113	75	3"	144	1.6	85" x 6" x 76"	24.6" x 20.2" x 10.6"	100
				4"	251				
CLP62A6-XN	2/320	200	133	3"	144	3	85" x 6" x 76"	24.6" x 20.2" x 10.6"	100
				4"	251				
CLP63A6-XN	3/320	279	186	3"	144	4.5	85" x 6" x 76"	24.6" x 20.2" x 10.6"	100
				4"	251				
CLP63A8-XN	3/320	372	247	4"	251	4.5	85" x 6" x 76"	24.6" x 20.2" x 10.6"	100
				6"	569				
CLP64A8-XN	4/320	505	336	4"	251	6	85" x 6" x 76"	24.6" x 20.2" x 10.6"	100
				6"	569				
CLP65A8-XN	5/320	606	403	6"	569	7.5	85" x 6" x 76"	30.5" x 24.1" x 12.6"	100
CLP66A10-XN	6/320	814	542	6"	569	9	88" x 10" x 76"	30.5" x 24.1" x 12.6"	75
				8"	996				
CLP67A10-XN	7/320	953	638	6"	569	11	88" x 10" x 76"	30.5" x 24.1" x 12.6"	75
				8"	996				
CLP67A12-XN	7/320	1095	729	8"	996	11	90" x 12" x 76"	30.5" x 24.1" x 12.6"	50
				10"	1567				
CLP68A12-XN	8/320	1235	823	8"	996	13	90" x 12" x 76"	30.5" x 24.1" x 12.6"	50
				10"	1567				
CLP69A14-XN	9/320	1462	974	12"	2218	14	92" x 14" x 76"	40.4" x 32.5" x 12.6"	50
CLP610A16-XN	10/320	1690	1127	12"	2218	16	94" x 16" x 76"	40.4" x 32.5" x 12.6"	50
				14"	2650				

¹ When ordering: Replace 'X' in part number with requested flange size; eg. '2' for two-inch flange.

² Vessel dimension "C" represents clearance requirement for glassware maintenance.

COMMERCIAL BIOSHIELD® UV SYSTEM



BioShield UV System Installation:

1. Position the BioShield UV System after the pool filters so it receives solids-free water.
2. The BioShield UV vessel is equipped with various sensor ports (UV intensity and Water Over-Temperature Protection Sensors). All sensor ports are clearly labeled on the vessel based on their respective function. Additionally, the vessel is equipped with a 1/2" threaded drain port for installation of the Drain Valve Assembly.
3. For horizontal or vertical piping installation, it is recommended to install a piping bypass manifold (as shown) which will allow for BioShield UV System removal from the filter-loop without disrupting water flow or filter operation. Isolation Valves are necessary for vessel removal and chemical cleaning procedure.
4. Always install BioShield UV System's with the outlet port facing upward, allowing trapped air to escape. Trapped air can result in rupture or heat damage to the vessel.
5. Provide enough space around the electrical end of the BioShield UV System to allow for easy removal of the UV lamp and quartz sleeves. A 46" clearance for CLP4 models and 76" clearance for CLP6 models is required.
6. Do not install or operate any UV system without thoroughly reading the operators manual.

*"Sanitizer" is an industry term of art and is not intended to imply any antimicrobial capabilities.

COMMERCIAL BIOSHIELD® CVP UV SYSTEM

Featured Highlights

System Features:

- Enhanced, state-of-the-art electronic ballast, sized precisely to the lamp's power requirement, ensures optimal UV-C output and maximum "useful lamp life"
- Small footprint: vertical operation reduces required horizontal space
- UV inhibited Schedule 80 PVC vessels stand up to UV degradation and corrosion caused by pool water
- Single-End UV lamp and quartz sleeve access for easy servicing
- Watertight design helps protect electrical hardware from water damage
- Choice of inlet/outlet port styles
- Included Over-Temp System Shutdown Sensor shuts down the lamp field to avoid damage when water temperature inside the vessel exceeds 120° F
- 20-foot lamp cables
- EPA number 091668-FL-001



CALIFORNIA PROPOSITION 65 WARNING
 ⚠️ WARNING: Cancer and Reproductive Harm.
 ⚠️ AVERTISSEMENT: Peut Causer le Cancer et des Dommages au Système Reproducteur.
 ⚠️ ADVERTENCIA: Cáncer y Daño Reproductivo.
www.p65warnings.ca.gov

When operating space is restricted, our vertical BioShield UV Systems provide the small footprint you need. These vertical models feature single-end, top-loading quartz sleeve(s) to minimize space required and maximize serviceability. Each model is extremely durable and features a corrosion-resistant remote power supply enclosure and UV vessel. All models are designed to deliver optimum UV performance by utilizing the UV lamp's UV-C output to its maximum potential. BioShield UV Systems are water-tight and designed for indoor/outdoor use. Each model is equipped with a flanged base for easy installation. Unit can also be installed horizontally.

Ordering Information

Model (120 VAC)	Lamps/Watts	Max Flow Rate (GPM) 40 mJ/cm ²	Max Flow Rate (GPM) 60 mJ/cm ²	Port Size	Max. Flow ²	Amps Max Load @ 120 VAC	UV Vessel Dimensions ¹ (A x B x C)	Power Enclosure Dimensions (H x W x D)	Max. PSI
522904	1/130	49	33	2"	64	2.1	56" x 6" x 47"	24.6" x 20.2" x 10.6"	50
522918	2/130	90	60	3"	144	3.9	56" x 6" x 47"	24.6" x 20.2" x 10.6"	50
522919	3/130	125	83	3"	144	5.8	56" x 6" x 47"	24.6" x 20.2" x 10.6"	50
522932				4"	251				
522920	3/130	167	111	4"	251	5.8	62" x 8" x 51"	24.6" x 20.2" x 10.6"	50
522921	4/130	227	151	4"	251	7.5	62" x 8" x 51"	24.6" x 20.2" x 10.6"	50
522934				6"	569				
522922	5/130	272	181	4"	251	9.4	62" x 8" x 51"	30.5" x 24.9" x 12.6"	50
522935				6"	569				
522923	6/130	365	244	6"	569	11.2	64" x 10" x 51"	30.5" x 24.9" x 12.6"	50
522924	7/130	430	287	6"	569	13.3	64" x 10" x 51"	30.5" x 24.9" x 12.6"	50
522937				8"	996				
522912	7/130	492	328	6"	569	13.3	69" x 12" x 51"	30.5" x 24.9" x 12.6"	50
522925				8"	996				
522913	8/130	555	369	6"	569	15.0	69" x 12" x 51"	30.5" x 24.9" x 12.6"	50
522926				8"	996				

¹ Vessel dimension "C" represents clearance requirement for glassware maintenance

² When selecting a port size, be sure the system flow rate will never exceed "Max. Flow for Port Size"

For replacement parts please call Technical Service at 1-800-831-7133.

*"Sanitizer" is an industry term of art and is not intended to imply any antimicrobial capabilities.

QUIK DEKCLOR POOLSIDE CHLORINE FEEDER COMPLETE



DekClor Dark Gray Complete

Featured Highlights

- Innovative design allows for easy adjustment to compensate for swimmer load and pool conditions
- Compatible with multiple chlorine tab sizes
- Includes internal locking safety lid
- Available in multiple lid colors

Delivering chlorine directly into your pool, Quik DekClor helps to prevent chemical wear and tear on your pump motor and filtering systems. The Quik DekClor has specially engineered inlets to create an even water flow around chlorine tabs, which aids in the consistent disbursement of chemicals into the pool.

Ordering Information

Product	Product Name & Description
DEKCLOR WITHOUT PROTECTA	
383007	DekClor Tan Complete
383001	DekClor White Complete
383003	DekClor Dark Gray Complete
383002	DekClor Light Gray Complete
DEKCLOR WITH PROTECTA	
385007	DekClor Tan
385001	DekClor White
385003	DekClor Dark Gray
385002	DekClor Light Gray
DEKCLOR WITHOUT RING LID	
385012	DekClor without Ring Lid, with Protecta
383200	DekClor without Ring Lid, no Protecta

CALIFORNIA PROPOSITION 65 WARNING

⚠️ **WARNING:** Cancer and Reproductive Harm.
 ⚠️ **AVERTISSEMENT:** Peut Causer le Cancer et des Dommages au Système Reproducteur.
 ⚠️ **ADVERTENCIA:** Cáncer y Daño Reproductivo.

www.p65warnings.ca.gov PH2017A

DEKCLOR POOLSIDE CHLORINE FEEDER

PARTS & ACCESSORIES



DekClor Lid White, Tan, Dark Gray, & Light Gray



DekClor Start Up Kit



DekClor Start Up Kit with Safety Plate

Ordering Information

Product	Product Name & Description
DEKCLOR COMPONENTS	
542496	DekClor Lid White
542500	DekClor Lid Tan
542499	DekClor Lid Dark Gray
542498	DekClor Lid Light Gray
391800	DekClor Start Up Kit
391900	DekClor Safety Plate with Lock (Old Style)
391010	DekClor Start Up Kit with Safety Plate

CALIFORNIA PROPOSITION 65 WARNING

⚠️ **WARNING:** Cancer and Reproductive Harm.
 ⚠️ **AVERTISSEMENT:** Peut Causer le Cancer et des Dommages au Système Reproducteur.
 ⚠️ **ADVERTENCIA:** Cáncer y Daño Reproductivo.

www.p65warnings.ca.gov
P65013A

*"Sanitizer" is an industry term of art and is not intended to imply any antimicrobial capabilities.

PENTAIR AUTOMATIC CHLORINE/BROMINE FEEDERS



Pentair Chlorine and Bromine Feeders

Featured Highlights

- 300 and 320 series feeders available in clear amber for easy tablet level monitoring
- Completely enclosed system – no special venting required
- No escaping gases
- 50 PSI maximum operating pressure

In-Line Feeders

- **320 Series.** For permanent installation in return line of new or existing pools or spas. Installs in return line on pressure side of pump downstream of all equipment. Standard with 2 in. slip PVC fittings and adapters for 1-1/2 in.

Off-Line Feeders

- **300 Series.** Retrofits into existing pools or spas. Operates on pressure side of pump. Uses 1/4 in. feeder hoses, control valve and fittings.

CALIFORNIA PROPOSITION 65 WARNING

⚠ **WARNING:** Cancer and Reproductive Harm.
 ⚠ **AVERTISSEMENT:** Peut Causer le Cancer et des Dommages au Système Reproducteur.
 ⚠ **ADVERTENCIA:** Cáncer y Daño Reproductivo.
www.p65warnings.ca.gov

Ordering Information

Product	Model	Description	Carton Qty.	Carton Wt. (Lbs.)
IN-LINE FEEDERS				
R171096 ¹	320	Holds 11 large or 98 small Bromine or slow dissolving Trichlor tablets. Treats 6,500 to 27,000 gallons bottom feed and 18,000 to 70,000 gallons top feed.	1	30
R171218 ¹	320C	Holds 11 large or 98 small Bromine or slow dissolving Trichlor tablets. Treats 6,500 to 27,000 gallons in a bottom feed configuration and 18,000 to 70,000 gallons in a top feed configuration with see-through amber body.	1	30
OFF-LINE FEEDERS				
R171016 ¹	300	Holds 11 large or 98 small tablets. Treats 12,000 to 48,000 gallons.	1	26
R171022 ¹	300C	Holds 11 large or 98 small tablets. Treats 12,000 to 48,000 gallons with see-through amber body.	1	26
R171026	302	Spa feeder. Includes spa chamber. Treats 500 to 2,000 gallons. Holds 15 small tablets.	1	28
R171056 ¹	300-19	Spa feeder includes double-capacity 19 in. chamber. Treats 13,000 to 52,000 gallons.	1	5
R171066 ¹	300-29	Spa feeder includes triple-capacity 29 in. chamber. Treats 14,000 to 57,000 gallons.	1	6
COMMERCIAL AND HIGH CAPACITY FEEDERS				
R171070 ¹	300-29X	Heavy duty 1/2 in. control valve and tubing optimizes flow. Dispenses 8.5 lbs. of 1 in. Trichlor Tablets in 24 hours. Holds 29 large or 237 small tablets. Treats 80,000 to 322,000 gallons.	1	8
R171215 ¹	HC-3315	High capacity for 1 in. hard plumbing installations. Holds 15 lbs. of tablets. Treats up to 20,200 gallons with Bromine and up to 97,600 gallons with Trichlor.	1	9
R171230 ¹	HC-3330	High capacity for 1 in. hard plumbing installations. Holds 30 lbs. of tablets. Treats up to 40,000 gallons with Bromine and up to 160,000 gallons with Trichlor.	1	12
R171240 ¹	HC-3340	High capacity for 1 in. hard plumbing installations. Holds 40 lbs. of tablets. Treats up to 61,000 gallons with Bromine and up to 332,000 gallons with Trichlor.	1	14

Note: Pentair Automatic Chlorine/Bromine feeders are for use with slow dissolving trichlor or bromine tablets only.

See page 566 for replacement parts

*"Sanitizer" is an industry term of art and is not intended to imply any antimicrobial capabilities.

AUTOMATIC FEEDER ACCESSORIES



In-line Check Valves & Flow Indicators

Standard In-line Check Valves/By-pass Valves

Use where harsh chemical environment is not expected.

Silicone Lubricant

Excellent for use on rubber seals, gaskets, and o-rings in contact with plastics and metals where binding and corrosion occur.

CALIFORNIA PROPOSITION 65 WARNING

⚠ **WARNING:** Cancer and Reproductive Harm.
 ⚠ **AVERTISSEMENT:** Peut Causer le Cancer et des Dommages au Système Reproducteur.
 ⚠ **ADVERTENCIA:** Cáncer y Daño Reproductivo.
www.p65warnings.ca.gov

Extensions

Optional extensions will increase tablet capacity to your 300 or 320 Series Chemical Feeder.

Ordering Information

Product	Description	Carton Qty.	Carton Wt. (Lbs.)
EXTENSIONS			
R172087	10 in. Extension doubles capacity	Bulk	
R172283	20 in. Extension triples capacity	Bulk	
FLOW INDICATING DEVICES			
R172080Z	Flow Indicating Device. Clear polycarbonate with indicating ball. Flow rate of 0 to 1 gpm. Designed for 1/4 in. inline pipe thread. Includes check valve.	Bulk	
R172082	Flow Rate Indicator. For high rate feeders with 1 in. feed lines.	Bulk	
R172276	Commercial Flow Indicator for use with 320, 322, 300-29X or feeders with 1/2 in. feed lines.	Bulk	
R172627	Corrosion Resistant Flow Indicator Kit. For new installations of 300-29X. Includes flow indicator. Saddle clamp, fittings and 1/2 in. corrosion resistant check valve.	Bulk	
CORROSION RESISTANT IN-LINE CHECK VALVES			
R172288	Check Valve 1-1/2 in. or 2 in. Slip, 2 lb. spring	Bulk	
R172323	Check Valve 1/4 in. tube x tube	Bulk	
R172324	Check Valve 1/2 in. tube x tube	Bulk	
R172324NS	Special check valve for outward flow on 300-29X below water installations. 1/2 in. tube x tube check valve (ball)	Bulk	
STANDARD IN-LINE CHECK VALVES/BY-PASS VALVES			
R172305	By-pass Valve (1-1/2 in. or 2 in.) 12 lb. spring, slip fittings	Bulk	
R172316	Check Valve (1-1/2 in. or 2 in.) 1/2 in. spring, slip fittings. Great for blowers.	Bulk	

Product	Description	Carton Qty.	Carton Wt. (Lbs.)
FEEDER KITS			
200013	300 & 320 Replacement Kit. Includes: saddle clamp, saddle gasket, and saddle tube fitting. Bubble pack	12	5
200014	300-29X Replacement Kit. Includes: saddle clamp, saddle gasket, and saddle tube fitting. Bubble pack.	12	5
SILICONE LUBRICANT			
R172036Z	3/4 ounce	Bulk	
R172351	3/4 ounce, in counter display	30	3
TUBING AND MISCELLANEOUS PARTS			
200017	Compression nut for 300 Series. Bubble pack.	12	3
R171099	Hi-Flo Kit for 320 and 322. Allows greater dispensing rate. Includes 6 ft. of 1/2 in. i.d. tubing, 1/2 in. check valve and all fittings.	Bulk	
R172037	Spa Chamber for 300, 302, 320	Bulk	
R172093	5/8 in. o.d. x 1/2 in. i.d. Sold in roll.	100 ft. Roll	
R172258	Spa Chamber for 322	Bulk	
R172367	Winterizing or Isolation Plug. Attaches to control valve of 300, 302, 300-19 or 300-29	Bulk	
R18754	3/8 in. o.d. x 1/4 in. i.d. Sold in roll.	100 ft. Roll	



Silicone Lubricant



Feeder Extensions

See page 570 for replacement parts

*"Sanitizer" is an industry term of art and is not intended to imply any antimicrobial capabilities.

PENTAIR AUTOMATIC CHLORINE/BROMINE SIZING CHART

Model	Chamber Capacity				Maximum Erosion in 24 Hours ¹	Treats Pool/Spa Size			H	W	D	Service Clearance for Lid Removal
	1 in. Tablet		3 in. Tablet			@ 10 ppm	@ 5 ppm	@ 2-1/2 ppm				
	Oty.	Wt.	Oty.	Wt.								
AUTOMATIC CHLORINE/BROMINE SIZING CHART												
#300 ¹	98	3.5 lbs.	11	4.8 lbs.	1.19 lbs.	11,900	23,800	47,600	21 in.	7 in.	12 in.	22-1/4 in.
#302 with spa chamber ¹	15	0.5 lbs.	—	—	0.5 lbs.	500	1,000	2,000	21 in.	7 in.	12 in.	22-1/4 in.
#300-19 ¹	153	5.5 lbs.	20	8.8 lbs.	1.30 lbs.	13,000	26,000	52,000	28-1/2 in.	7 in.	12 in.	29-3/4 in.
#300-29 ¹	237	9.8 lbs.	29	12.7 lbs.	1.41 lbs.	14,100	28,200	56,400	38-1/2 in.	7 in.	12 in.	39-3/4 in.
#300-29X ¹ commercial model	237	9.8 lbs.	29	12.7 lbs.	8.05 lbs.	80,500	161,000	322,000	38-1/2 in.	7 in.	12 in.	39-3/4 in.
#320 bottom feed ¹	98	3.5 lbs.	11	4.8 lbs.	0.67 lbs.	6,700	13,400	26,800	17-3/4 in.	5 in.	10 in.	19 in.
#320 top feed ¹	98	3.5 lbs.	11	4.8 lbs.	1.75 lbs.	17,500	35,000	70,000	17-3/4 in.	5 in.	10 in.	19 in.

WITH 10 in. FEEDER EXTENSION ON #300 – REFER TO #300-19, max. height 11 in.6 PPM-COMMERCIAL POOLS & SPAS

WITH 20 in. FEEDER EXTENSION ON #300 – REFER TO #300-29, max. height 21 in.3 PPM-RESIDENTIAL POOL & SPAS

¹ Based on use of 1 in. Trichlor in 24 hours. Use of 3 in. tablets or sticks or bromine tablets will lower results. For 8 hour turnover divide by 3.

Note: This chart is only a suggested guide. Consult your local authority to determine their guidelines if needed. Results may vary due to pool/spa equipment and many other factors.

CALIFORNIA PROPOSITION 65 WARNING

⚠ **WARNING:** Cancer and Reproductive Harm.
⚠ **AVERTISSEMENT:** Peut Causer le Cancer et des Dommages au Système Reproducteur.
⚠ **ADVERTENCIA:** Cáncer y Daño Reproductivo.

www.p65warnings.ca.gov
P650017A

PENTAIR HIGH CAPACITY CHLORINE/BROMINE SIZING CHART

Model	Capacity	Maximum Erosion In 24 Hours		Treats Pool/Spa Size In Gallons Per 24 Hours		H	W	D	Service Clearance
		Chlorine	Bromine	Chlorine (10 ppm)	Bromine (10 ppm)				
HC3315	15 lbs.	29.28 lbs.	13.68 lbs.	97,600	20,200	21-1/2 in.	8 in.	15 in.	22 3/4 in.
HC3330	30 lbs.	48.00 lbs.	27.60 lbs.	160,000	40,900	39-1/8 in.	8 in.	15 in.	40-3/8 in.
HC3340	40 lbs.	99.60 lbs.	41.52 lbs.	332,000	61,500	49 3/4 in.	8 in.	15 in.	51 in.

CALIFORNIA PROPOSITION 65 WARNING

⚠ **WARNING:** Cancer and Reproductive Harm.
⚠ **AVERTISSEMENT:** Peut Causer le Cancer et des Dommages au Système Reproducteur.
⚠ **ADVERTENCIA:** Cáncer y Daño Reproductivo.

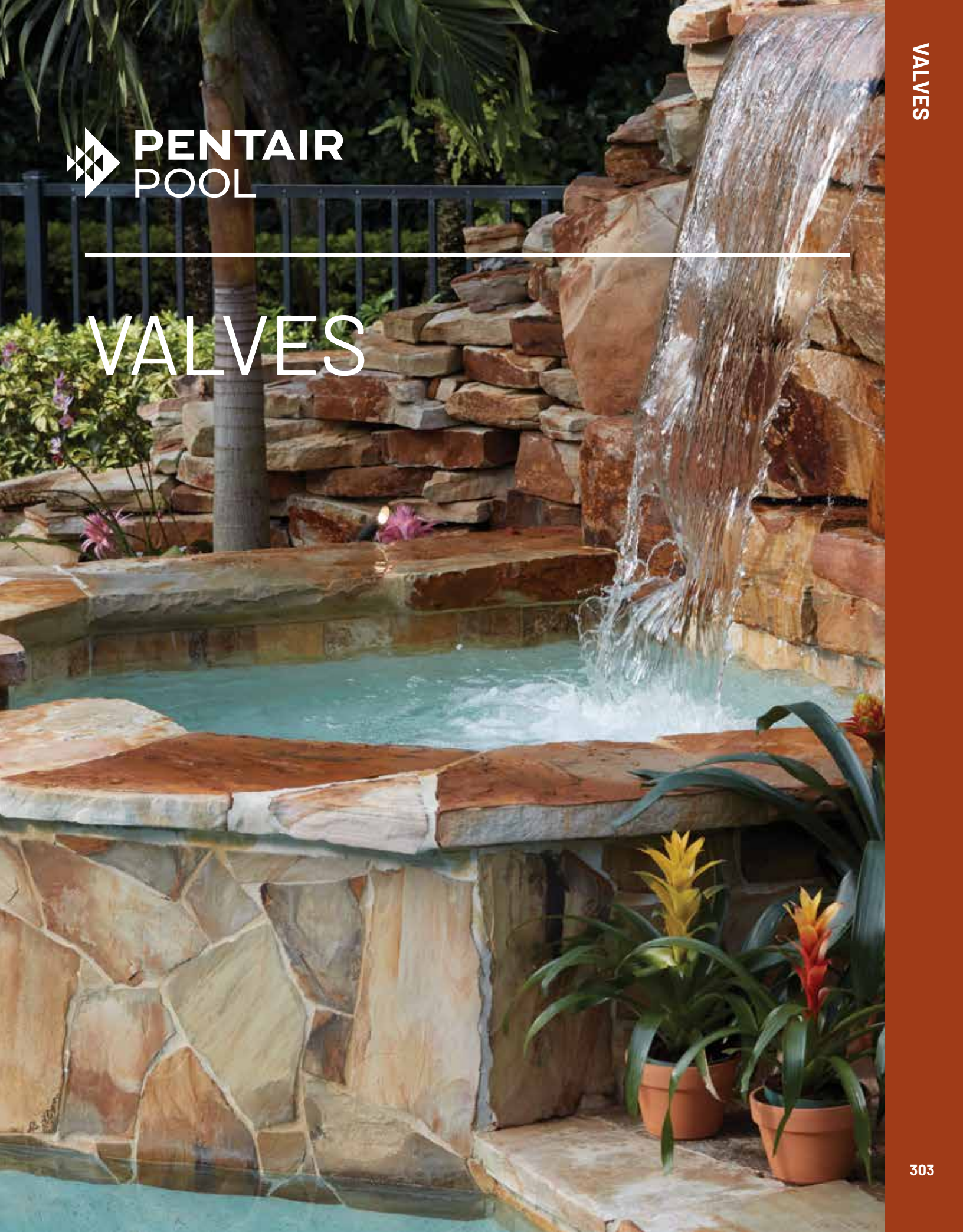
www.p65warnings.ca.gov
P650017A

*"Sanitizer" is an industry term of art and is not intended to imply any antimicrobial capabilities.



PENTAIR
POOL

VALVES



DIVERTER AND CHECK VALVES – 1-1/2 IN. AND 2 IN.

2-WAY, 3-WAY AND CHECK

263027



263026



263042



Featured Highlights

- All valves available in CPVC or PVC
- Maintenance-free PTFE coated diverter seal
- Optimum positive-seal
- High Flow Rate
- Fiberglass reinforced handle
- Withstands pressure up to 150 psi
- Chemical-resistant
- Used for diverting, shut-off or mixing applications
- Accepts 1-1/2 in., 2 in., and 2-1/2 in. PVC plumbing
- Field-adjustable stop positions
- Plumbed with inlet at any port
- Designed to work with most industry standard actuators

CALIFORNIA PROPOSITION 65 WARNING

⚠ **WARNING:** Cancer and Reproductive Harm.
 ⚠ **AVERTISSEMENT:** Peut Causer le Cancer et des Dommages au Système Reproducteur.
 ⚠ **ADVERTENCIA:** Cáncer y Daño Reproductivo.
www.p65warnings.ca.gov

Ordering Information

Product	Description	Carton Qty.	Carton Wt. (Lbs.)
2-WAY AND 3-WAY DIVERTER VALVES			
263026	3-Way CPVC 2 in. (2-1/2 in. slip outside)	1	2
263027	2-Way CPVC 2 in. (2-1/2 in. slip outside)	1	2
263028	3-Way PVC 2 in. (2-1/2 in. slip outside)	1	2
263029	2-Way PVC 2 in. (2-1/2 in. slip outside)	1	2
263035	3-Way CPVC 1-1/2 in. (2 in. slip outside)	1	2
263036	2-Way CPVC 1-1/2 in. (2 in. slip outside)	1	2
263037	3-Way PVC 1-1/2 in. (2 in. slip outside)	1	2
263038	2-Way PVC 1-1/2 in. (2 in. slip outside)	1	2
263047	3-Way Solar Valve w/ drain-down, CPVC 2 in. (2-1/2 in. slip outside)	1	2
CHECK VALVES			
263042	Check Valve CPVC 2 in. (straight 2-1/2 in. slip outside)	1	2
263042Z	Check Valve Rebuild Kit		



263027



263029



263026



263028

PVC Valves not recommended for climates that can reach air temperatures of over 104°F.

See page 572 for replacement parts.

FULLFLOXF[®] DIVERTER & CHECK VALVES 2-1/2 IN. & 3 IN.

2-WAY, 3-WAY AND CHECK

Featured Highlights

- Valves available in CPVC for maximum heat resistance
- Maintenance-free PTFE coated diverter seal
- Optimum positive-seal
- Maximum Flow Rate, low head loss
- Chemical-resistant
- Used for diverting, shut-off or mixing applications
- Accepts 2-1/2 in. and 3 in. PVC plumbing
- Field-adjustable stop positions
- Plumbed with inlet at any port
- Designed to work with most industry standard actuators

CALIFORNIA PROPOSITION 65 WARNING

⚠ **WARNING:** Cancer and Reproductive Harm.
 ⚠ **AVERTISSEMENT:** Peut Causer le Cancer et des Dommages au Système Reproducteur.
 ⚠ **ADVERTENCIA:** Cáncer y Daño Reproductivo.
www.p65warnings.ca.gov



263059



263060



263056/263057



263068



263077

Ordering Information

Product	Description	Carton Qty	Carton Wt (Lbs)
2-WAY AND 3-WAY DIVERTER VALVES			
263056	3-Way CPVC 2.5 in. (3 in. slip outside)	1	4
263057	3-Way Solar Valve w/ drain-down, CPVC 2.5 in. (3 in. slip outside)	1	4
263059	2-Way CPVC 2.5 in. (3 in. slip outside)	1	4
263068	90 degree 2-way CPVC 2.5 in. (3 in. slip outside)	1	4
2-WAY AND 90 DEGREE CHECK VALVES			
263060	Check Valve CPVC 2.5 in. (3 in. slip outside)	1	4
263077	90 degree Check Valve CPVC 2.5 in. (3 in. slip outside)	1	3
270119Z	Check Valve Rebuild Kit		

PRE-PLUMBED VALVES

BACKWASH VALVES FOR 1-1/2 & 2 IN. D.E. AND SAND FILTERS

Side mounted HiFlow™ and Multiport Valves are designed for maximum performance and working pressures. Available in 1-1/2 and 2 in. threaded or slip models.

CALIFORNIA PROPOSITION 65 WARNING
 ⚠️ **WARNING:** Cancer and Reproductive Harm.
 ⚠️ **AVERTISSEMENT:** Peut Causer le Cancer et des Dommages au Système Reproducteur.
 ⚠️ **ADVERTENCIA:** Cáncer y Daño Reproductivo.
www.p65warnings.ca.gov PA 201514

Featured Highlights

- PVC body
- The right valve for easy operation
- Six-position, positive-lock operation
- Special winterizing position

Ordering Information

Product	Description	Carton Qty.	Carton Wt. (Lbs.)
MULTIPOINT VALVE KIT FOR FILTERS, SLIP			
261055	2 in. MPV, for Triton® & Quad D.E.® filters [SM 20-3] 7-1/2 in. Centerline	1	10
261152	2 in. MPV, for FNS®, FNS Plus & NSP filters [SM 20-2] 7-1/2 in. Centerline	1	10
261173	1-1/2 in. MPV, for Triton & Quad D.E. filters [SM 10-3] 7-1/2 in. Centerline	1	6
261177	1-1/2 in. MPV, for FNS, FNS Plus & NSP filters [SM 10-2] 7-1/2 in. Centerline	1	7
HIFLOW VALVE KIT FOR FILTERS, SLIP			
261050	2 in., w/ bulkhead fittings, for Triton & Quad D.E. filters, 7-1/2 in. Centerline	1	11
261142	2 in., w/ bulkhead fittings, for FNS, FNS Plus & NSP filters, 7-1/2 in. Centerline	1	11
PVC SLIDE VALVE, SLIP			
263064	Push Pull Valve, 7-1/2 in. Center, PVC, Almond	1	4.5
263079	2 in. w/o bulkhead fittings for D.E. and sand filters, 7-1/2 in. Centerline	1	3
FULLFLOXF® BACKWASH VALVES			
262507	Sta-Rite version for System 3® Mod D.E., inlet on top, with Sta-Rite offset adapters glued on	1	11
262508	Sta-Rite version for System 3 D.E. and Sand, inlet on bottom, with Sta-Rite offset adapters glued on	1	10
262509	Valve with filter inlet port on top, no fittings, only valve	1	10
262511	Valve with filter inlet port on bottom, no fittings, only valve	1	10
263080	Valve for Sand and Quad D.E., inlet port on top, Pentair 2 in. unions glued on	1	12
263081	Valve for D.E., inlet port on bottom, Pentair 2 in. unions glued on	1	12



HiFlow Valve Kit
261050



PVC Slide Valve
Kit
263064



Multiport Valve Kit
261055



FullFloXF
Backwash
Valve Kit
263080

See page 576, 578–580 and 584–585 for replacement parts.

HIFLOW™ VALVE

BACKWASH VALVE FOR SIDE MOUNTED SAND & D.E. FILTERS

Featured Highlights

- PVC body
- Large, one-piece handle for trouble-free operation
- Six-position, positive-lock operation
- Noryl heavy-duty diverter
- 2 in. ports for unrestricted flow
- Specific Valves for D.E. and sand applications
- Special winterizing position

The side mounted HiFlow valve is designed for maximum performance and working pressures. Available in 2 in. slip models.



HiFlow Valve 261049

CALIFORNIA PROPOSITION 65 WARNING

⚠ **WARNING:** Cancer and Reproductive Harm.
 ⚠ **AVERTISSEMENT:** Peut Causer le Cancer et des Dommages au Système Reproducteur.
 ⚠ **ADVERTENCIA:** Cáncer y Daño Reproductivo.
www.p65warnings.ca.gov

Ordering Information

Product	Description	Carton Qty.	Carton Wt. (Lbs.)
HIFLOW VALVE			
261049	2 in. HiFlow Valve, no plumbing	1	10

TA TAGELUS® FILTER VALVES

1-1/2 AND 2 IN. BACKWASH VALVES FOR TOP MOUNT SAND FILTER



262525

Featured Highlights

- ABS body
- Large, one-piece handle for trouble-free operation
- Six-position, positive-lock operation
- Heavy-duty diverter
- Special winterizing position

The top mounted HiFlow™ and Multiport Valves are designed for maximum sand filter backwash performance and precise water flow. Available in 1-1/2 and 2 in. threaded.

CALIFORNIA PROPOSITION 65 WARNING

⚠ **WARNING:** Cancer and Reproductive Harm.
 ⚠ **AVERTISSEMENT:** Peut Causer le Cancer et des Dommages au Système Reproducteur.
 ⚠ **ADVERTENCIA:** Cáncer y Daño Reproductivo.
www.p65warnings.ca.gov

Ordering Information

Product	Description	Carton Qty.	Carton Wt. (Lbs.)
TOP MOUNT MULTIPORT VALVES			
261124	1-1/2 in. TA Valve, "V" thread (TM 12-A), 6 in. Neck Size ¹	1	5
262504	1-1/2 in. TA Valve, Buttruss thread (TM 12-B), 6 in. Neck Size ²	1	6
262505	1-1/2 in. TA to TA D Conversion Kit w/ valve, , 6 in. Neck Size ¹	1	6
261185	2 in. TA D (TA 100D only), clamp, 8 in. Neck Size	1	8
262506	1-1/2 in. TA D (TA 30/40/50/60D), clamp, 6 in. Neck Size ¹	1	6
263085	2 in. (TA60, SD80, CFII26), clamp, 6 in. Neck Size without unions	1	8
262525	2 in. (TA60, SD80, CFII26), clamp, 6 in. Neck Size with unions	1	6

¹ For filters manufactured before 12-1-91.

² For filters manufactured after 12-1-91.



262506



262505



261185

SLIDE VALVES

ABS SLIDE VALVES/MULTIPOINT VALVES (SIDE MOUNT)



Featured Highlights

- Six-position dial-type valves offer convenience, ease of use and efficient operation
- Includes connecting pipe to match side ports in sand and D.E. filters
- 2 in. PVC unions for filter-to-valve connection
- Positive seal prevents leakage between ports



18201-0110

Featured Highlights

- Two-position backwash valves have minimal flow restriction
- Innovative handle design allows easier operation; pin locks valve in filter position
- Connects directly to side ports in D.E. or sand filters with 2 in. PVC unions



263053

Ordering Information

Product	Description	Valve Port Size	Carton Wt. (Lbs.)
SLIDE VALVES - UNION CONNECTION DESIGN			
263053	Push Pull Valve, 7.81 in. Center	2 in.	4
SLIDE VALVES - HOSE CONNECTION DESIGN ¹			
263078	Slide Valves, 2 position, Plastic	2 in.	5
MULTIPOINT VALVES - UNION CONNECTION DESIGN			
18201-0300	ABS 6-Position Valve (for System 3 Mod DE)	2 in.	8
18202-0250	ABS 6-Position Valves with piping	1-1/2 in.	6
18202-0150	ABS 6-Position Valves with 1-1/2 in. piping	1-1/2 in.	6
18201-0200	ABS 6-Position Valves with piping	2 in.	10
MULTIPOINT VALVES - UNION CONNECTION DESIGN ¹			
18202-0150H	ABS 6-Position Valves (hoses not included)	1-1/2 in.	6
18201-0200H	ABS 6-Position Valves (hoses not included)	2 in.	9
ACCESSORIES - HOSE CONNECTOR KITS - VALVE TO FILTER			
24750-0624	1-1/2 in. x 2 in. Connector		1

¹ Replacement Valves for Old Design Filters.

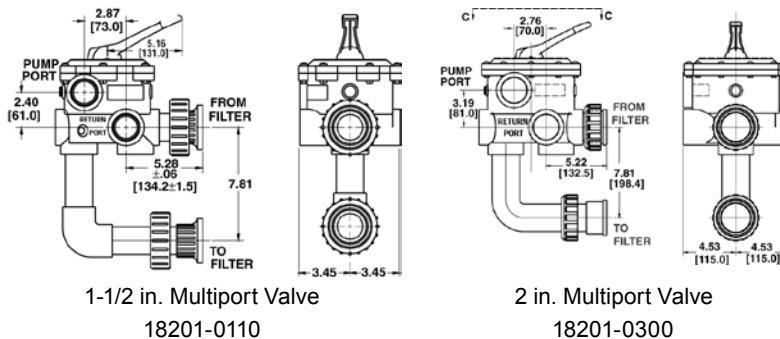
CALIFORNIA PROPOSITION 65 WARNING

⚠️ **WARNING:** Cancer and Reproductive Harm.
 ⚠️ **AVERTISSEMENT:** Peut Causer le Cancer et des Dommages au Système Reproducteur.
 ⚠️ **ADVERTENCIA:** Cáncer y Daño Reproductivo.
www.p65warnings.ca.gov PK32075A

Dimensions and Performance



Certified to NSF/ANSI Standard 50



See page 581 and 585 for replacement parts.

FLOWVIS® IN-LINE FLOW METER

VALVE ACCESSORIES & TOOLS



FlowVis (US Gallon Per Minute)

Featured Highlights

- Installation flexibility; installs horizontally, vertically, or even upside-down
- Can be installed with little-to-zero straight pipe requirements
- Doubles as a check valve (1.5", 2", 2.5" and 2"x2.5" models)
- Clear, easy-to-read scale in GPM or optional LPM or M3/h with velocity scale
- Installs quickly and easily with no calibration required

FlowVis is a unique flow meter solution for clean water applications such as swimming pools, spas, water features, and fountains. Models are available for 1.5" through 4" as well as retrofit units for existing specific 3rd party valve bodies. Models for 1.5", 2", and 2.5" pipe include an integrated check valve. Additionally, a non-check valve model is available for applications that employ an SVRS and where check valves are not permitted. All FlowVis models offer highly accurate performance and a unique ability to be installed right next to other plumbing fittings such as tees, without the need for long straight pipe runs before and after.

Ordering Information

Pentair Item #	Product Name & Description
	FLOWVIS (US GALLON PER MINUTE)
261193	Flowvis (US Gallon Per Minute)

FlowVis® is a registered trademark of H2flow Controls, Inc., in the United States and/or other countries.

CALIFORNIA PROPOSITION 65 WARNING

⚠ **WARNING:** Cancer and Reproductive Harm.
 ⚠ **AVERTISSEMENT:** Peut Causer le Cancer et des Dommages au Système Reproducteur.
 ⚠ **ADVERTENCIA:** Cáncer y Daño Reproductivo.
www.p65warnings.ca.gov



WATER FEATURES



MAGICFLAME®

FIRE AND WATER BOWL



MagicFlame Fire and Water Bowl

Dazzle a backyard oasis with the flickering of flames or relax to the soothing sounds of falling water with MagicFlame. With five vibrant color options to match most poolside decors, MagicFlame is the perfect addition to make the pool experience a step away from paradise. Made with glass fiber reinforced concrete, MagicFlame can add warmth to pool ambiances and activate the swimming senses for years to come.

Featured Highlights

- Five vibrant color options to match most decors
- Beautiful ¾" Lava Rock is included
- Optional Tumbled Lava Rock and Fire Glass available
- 12 VAC Inlet Power
- Hot Surface Ignition - Robust
- Electronic ignition with weatherproof/anti-corrosion enclosure
- Convenient fire feature lighting and instant flame monitoring
- Glass fiber reinforced concrete bowls for ultimate longevity
 - Lighter and stronger than standard concrete.
- Natural gas or propane compatible
- Custom engineered burner made of corrosion resistant 304 stainless steel
- Automation compatible or operate stand alone

Ordering Information

Product	Description	Carton Qty.	Carton Wt. (Lbs.)
ROUND FIRE BOWL ONLY			
580165	Round 32" Fire Only Bowl, 12V, Bronze	1	230
580166	Round 32" Fire Only Bowl, 12V, Pewter	1	230
580167	Round 32" Fire Only Bowl, 12V, Natural	1	230
580168	Round 32" Fire Only Bowl, 12V, White	1	230
580169	Round 32" Fire Only Bowl, 12V, Black	1	230
ROUND FIRE AND WATER BOWL			
580170	Round 32" Fire and Water Bowl, 12V, Bronze	1	235
580171	Round 32" Fire and Water Bowl, 12V, Pewter	1	235
580172	Round 32" Fire and Water Bowl, 12V, Natural	1	235
580173	Round 32" Fire and Water Bowl, 12V, White	1	235
580174	Round 32" Fire and Water Bowl, 12V, Black	1	235
ROUND WATER BOWL ONLY			
580175	Round 32" Water Only Bowl, 12V, Bronze	1	230
580176	Round 32" Water Only Bowl, Pewter	1	230
580177	Round 32" Water Only Bowl, Natural	1	230
580178	Round 32" Water Only Bowl, White	1	230
580179	Round 32" Water Only Bowl, Black	1	230

Product	Description	Carton Qty.	Carton Wt. (Lbs.)
SQUARE FIRE BOWL ONLY			
580180	Square 32" Fire Only Bowl, 12V, Bronze	1	220
580181	Square 32" Fire Only Bowl, 12V, Pewter	1	220
580182	Square 32" Fire Only Bowl, 12V, Natural	1	220
580183	Square 32" Fire Only Bowl, 12 V, White	1	220
580184	Square 32" Fire Only Bowl, 12V, Black	1	220
SQUARE FIRE AND WATER BOWL			
580185	Square 32" Fire and Water Bowl, 12V, Bronze	1	225
580186	Square 32" Fire and Water Bowl, 12V, Pewter	1	225
580187	Square 32" Fire and Water Bowl, 12V, Natural	1	225
580188	Square 32" Fire and Water Bowl, 12V, White	1	225
580189	Square 32" Fire and Water Bowl, 12V, Black	1	225
SQUARE WATER BOWL ONLY			
580190	Square 32" Water Only Bowl, Bronze	1	220
580191	Square 32" Water Only Bowl, Pewter	1	220
580192	Square 32" Water Only Bowl, Natural	1	220
580193	Square 32" Water Only Bowl, White	1	220
580194	Square 32" Water Only Bowl, Black	1	220

NOTE: Actual finish and colors may vary due to slight difference in material make-up and/or the fabrication process. Please use as a guideline only.

CALIFORNIA PROPOSITION 65 WARNING

⚠️ **WARNING:** Cancer and Reproductive Harm.
 ⚠️ **AVERTISSEMENT:** Peut Causer le Cancer et des Dommages au Système Reproducteur.
 ⚠️ **ADVERTENCIA:** Cáncer y Daño Reproductivo.
www.p65warnings.ca.gov

See page 592 for replacement parts.

MAGICFLAME®

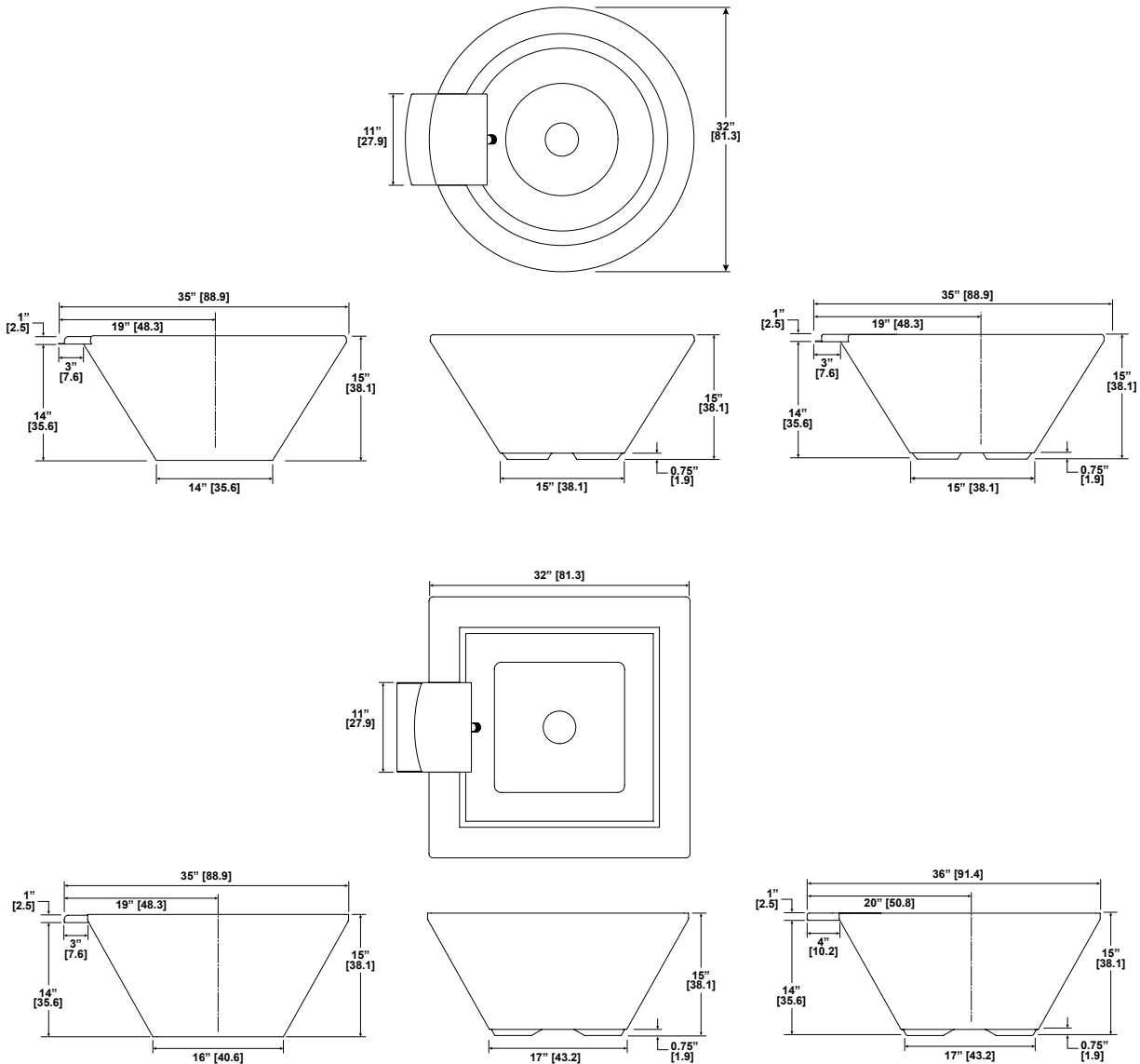
FIRE AND WATER BOWL (CONT'D)



Ordering Information

Product	Description	Carton Qty.	Carton Wt. (Lbs.)
MAGICFLAME ACCESSORIES			
590267	Lava Rock	1	25
590268	Lava Rock Tumbled	1	25
590269	Fire Glass, Black	1	25
590270	Fire Glass, Clear	1	25
590271	Fire Glass, Brown	1	25
590272	Fire Glass, Dark Blue	1	25
590273	Fire Glass, Light Blue	1	25
590274	Fire Glass, Gold	1	25
590289	Round Winterizing Cover	1	3
590290	Square Winterizing Cover	1	3

Dimensions and Performance



MAGICSTREAM® LAMINAR



MagicStream Laminar

TRADEGRADE



Featured Highlights

- Microprocessor-controlled LED light source has the ability to synchronize with the IntelliBrite® 5g LED Pool Lighting for dynamic and synchronized colored light shows
- Provides five brilliant fixed colors, seven dazzling light shows
- Nighttime lighting effects include the ability to hold on a steady color or scroll through a range of available colors.
- Installation is made flush to your deck or other surface; no unsightly edges
- Laminar deck lids are available in tan, black, and gray
- The technical principal behind MagicStream Laminars is to reduce turbulence and air bubbles from the water before projecting it through a finely-machined nozzle. The laminar water flow is very non-turbulent, so it keeps its surface tension and flows through the air in a smooth, clean, unbroken stream, instead of spraying apart into droplets.
- Low voltage operation of 12 VAC/16W
- Low flow requirements allow for multiple units per pool
- The perfect complement to IntelliBrite 5g LED Pool Lighting and IntelliBrite® Architectural Series for dynamic and synchronized colored light shows

MagicStream Laminars with synchronization with IntelliBrite 5g LED color and white lights and IntelliBrite Architectural Series create clear, uniform arcs of moving water that originate from either a pool deck or surrounding landscape. At night, these translucent streams are brilliantly colored, creating a water effect that adds elegant entertainment to your poolscape. It is fully compatible with the IntelliBrite® 5G line of LED pool lights, optional Color Sync Controller and IntelliCenter®, EasyTouch® and IntelliTouch® Automation Systems. Custom program and control light shows using an indoor control panel, wireless remote and the ScreenLogic® Interface using your smart phone, computer or mobile digital device.

Ordering Information

Product	Description	Carton Qty.	Carton Wt.
MAGICSTREAM LAMINARS			
580001B	Laminar LED, Black Lid - 100 ft. cord	1	21
580001G	Laminar LED, Gray Lid - 100 ft. cord	1	21
580001T	Laminar LED, Tan Lid - 100 ft. cord	1	21
580038	Laminar LED, Tan Lid - 150 ft. cord	1	28
580039	Laminar LED, Black Lid - 150 ft. cord	1	28
580040	Laminar LED, Gray Lid - 150 ft. cord	1	28
TRANSFORMERS (LANDSCAPE AND POOL RATED)			
619962	12V-14V 100W	1	12
619963	12V-14V 300W	1	12

Dimensions and Performance

Laminars Performance Data		
Gallons (US GPM)	6.0	7.5
Inlet Pressure (psi)	2.5	3.5
Height of Jet (Ft.)	5.0	6.0

CALIFORNIA PROPOSITION 65 WARNING

⚠️ **WARNING:** Cancer and Reproductive Harm.
 ⚠️ **AVERTISSEMENT:** Peut Causer le Cancer et des Dommages au Système Reproducteur.
 ⚠️ **ADVERTENCIA:** Cáncer y Daño Reproductivo.

www.p65warnings.ca.gov
PR201714

See page 593 for replacement parts.

DECK JET & MAGICSTREAM® DECK JET II

TRADEGRADE

Featured Highlights

Deck Jet

- Deck Jet includes five interchangeable water effect eyeballs that are easy to remove and simple to change. Also Includes construction shield.
- Streams reach to eight feet, and direction can be easily adjusted
- Low water pressure requirement for minimum impact on pump performance

MagicStream Deck Jet II

- Height is adjustable to a maximum of six feet. Water direction is adjustable up to 360 degrees.
- Easy-to adjust nozzles enable your creativity: concentrate all streams into a single entry point, overlap streams of different heights, or create a symmetrical, multi-stream archway...and more
- Quality design assures low water flow requirements and reduces concerns about standing water or unwanted debris collection
- Attractive installation with no unsightly edges or screws



Deck Jet



MagicStream Deck Jet II

CALIFORNIA PROPOSITION 65 WARNING
 ⚠️ **WARNING:** Cancer and Reproductive Harm.
 ⚠️ **AVERTISSEMENT:** Peut Causer le Cancer et des Dommages au Système Reproducteur.
 ⚠️ **ADVERTENCIA:** Cáncer y Daño Reproductivo.
www.p65warnings.ca.gov PH 201714

Deck Jet water effects can be cast into concrete decks and gunite pool walls, mounted in the sidewall of aboveground and vinyl-lined pools, or blended into surrounding landscapes.

MagicStream Deck Jet II creates a graceful arc of water that enters the pool with a gentle splash. The stream seems to appear magically from the pool deck since the jet installs flush and out of sight.

Ordering Information

Product	Description	Carton Qty.	Carton Wt.
DECK JET			
580000	Deck Jet	1	1
MAGICSTREAM DECK JET II			
580003	Magic Stream Deck Jet II	4	3

See page 590 for replacement parts.

COLORVISION® BUBBLER

TRADEGRADE



Featured Highlights

- Energy-efficient color LED lights with vibrant colors
- Provides five brilliant fixed colors, seven dazzling light shows
- Designed for 2 in. - 10 in. of water depth
- Plume height up to 24 in.
- Low voltage operation of 12 VAC / 15W
- Cord length available in 30 ft., 50 ft., 100 ft. or 150 ft.
- Low flow requirements allow for multiple units per pool
- Niche provides for flush mounting
- The perfect complement to IntelliBrite® 5g LED Pool Lighting and IntelliBrite® Architectural Series for dynamic and synchronized colored light shows

The ColorVision Bubbler is a combination of the ColorVision Niche and Pentair GloBrite® or MicroBrite® LED light to create vivid fountain-like water movement. It is the perfect way to showcase and enhance pool features like sun shelves, steps, beach entries and poolscape elements like ponds and fountains. Its low voltage and minimal water flow requirements make them an ideal, energy-efficient addition to pools, fountains, ponds and more. It is fully compatible with the IntelliBrite 5g line of LED pool lights, IntelliBrite Architectural Series, optional Color Sync Controller and IntelliCenter®, EasyTouch® and IntelliTouch® Automation Systems. Custom program and control light shows using an indoor control panel, wireless remote and the ScreenLogic® Interface using your smartphone, computer or mobile digital device.

NOTE: GloBrite and MicroBrite LED Lights - sold separately

Ordering Information

Product	Description	Carton Qty.	Carton Wt.
COLORVISION LED LIGHT BUBBLER			
580037	ColorVision Gunite Niche Kit (Niche only - must order GloBrite separately)	1	6
580036	ColorVision Vinyl/Fiberglass Niche Kit (Niche only - must order GloBrite separately)	1	6

Product	Voltage	Wattage	Cord Length (Ft.)	Carton Qty.	Carton Wt. (Lbs.)
GLOBRITE COLOR LED LIGHTS					
602053	12	15W	30	1	5
602054	12	15W	50	1	9
602055	12	15W	100	1	9
602056	12	15W	150	1	9

Product	Voltage	Wattage	Cord Length (Ft.)	Carton Qty.	Carton Wt. (Lbs.)
GLOBRITE WHITE LED LIGHTS					
602102	12	15W	30	1	5
602103	12	15W	50	1	9
602104	12	15W	100	1	9
602105	12	15W	150	1	9

TRANSFORMERS (LANDSCAPE AND POOL RATED)					
619962	12V-14V			100W	12
619963	12V-14V			300W	13
ACCESSORIES					
618040	Adapter—MicroBrite to GroBrite				

Product	Light Output	Voltage	Wattage	Cord Length (Ft.)	Carton Qty.	Carton Wt. (Lbs.)
MICROBRITE LED LIGHT WITH GLOBRITE ADAPTER						
602165	White	12	14W	150	1	5
602166	Color	12	14W	150	1	5
602167	Warm White	12	14W	150	1	5

CALIFORNIA PROPOSITION 65 WARNING
 ⚠️ WARNING: Cancer and Reproductive Harm.
 ⚠️ AVERTISSEMENT: Peut Causer le Cancer et des Dommages au Système Reproducteur.
 ⚠️ ADVERTENCIA: Cáncer y Daño Reproductivo.
www.p65warnings.ca.gov

All Pentair UL Listed underwater lights are certified for use in fresh water with up to 6,000 ppm salinity.

COLORVISION® BUBBLER



Dimensions and Certifications

All ColorVision bubblers come with white accessories. Optional color rings are available for the the screw cover color ring and vinyl/fiberglass ring.

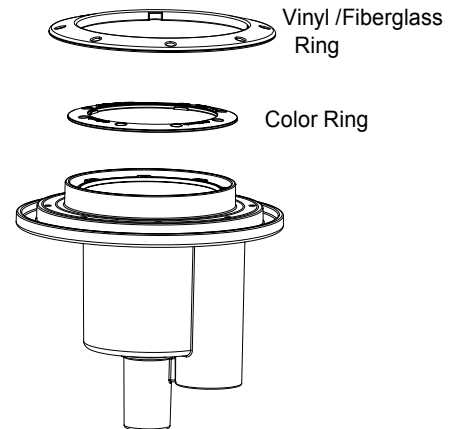
CALIFORNIA PROPOSITION 65 WARNING
 ⚠️ **WARNING:** Cancer and Reproductive Harm.
 ⚠️ **AVERTISSEMENT:** Peut Causer le Cancer et des Dommages au Système Reproducteur.
 ⚠️ **ADVERTENCIA:** Cáncer y Daño Reproductivo.
www.p65warnings.ca.gov PR 201714

COLOR RINGS

- 590128Z Color Ring - Blue
- 590127Z Color Ring - Grey
- 590129Z Color Ring - Tan
- 590130Z Color Ring - Black
- 590132Z Vinyl/Fiberglass Ring - Blue
- 590131Z Vinyl/Fiberglass Ring - Grey
- 590133Z Vinyl/Fiberglass Ring - Tan
- 590134Z Vinyl/Fiberglass Ring - Black

GPM	WATER DEPTH									
	2"		4"		6"		8"		10"	
	PLUME HEIGHT									
Nozzle Diameter										
	1/2"	3/4"	1/2"	3/4"	1/2"	3/4"	1/2"	3/4"	1/2"	3/4"
15		20"	42"	11"	28"	8"	14"	6"	12"	4"
20		32"		18"		12"	24"	8"	16"	8"
25				26"		18"		12"	23"	10"
30						25"		16"		14"
35								24"		18"
40								30"		22"
45										26"

Note: Plume height may vary.



All Pentair UL Listed underwater lights are certified for use in fresh water with up to 6,000 ppm salinity.

See page 591 for replacement parts.

MAGICFALLS® WATER EFFECTS

TRADEGRADE



Featured Highlights

- Choose from sheet, curtain and rainfall or arc sheet and rainfall effects
- Individual water effects are available in widths from 8 inches to 8 feet
- Available in six finishes brass, bronze, copper, gray, pewter, or white
- Waterfalls can be straight, curved, or customized
- Vary flow to any water effect with an energy-efficient IntelliFlo® or IntelliPro® Variable Speed Pump to alter the height and distance of the water effect.
- Visit our website to use the interactive waterfall part number configurator tool: www.pentairpool.com

Actual finish and color may vary from the images found herein due to slight differences in material make-up and/or the fabrication process. Please use as a guideline only. All MagicFalls are made to order and non-refundable.

11 Series Lip = 1 in. lip, for all straight waterfalls

12 Series Lip = 6 in. Lip, for Radius Curved Waterfalls

14 Series Lip = 13 in. Lip, for super radius curved waterfalls and custom curved shapes

FACTORY CUT RADIUS CURVES:
Waterfalls with factory cut radius curves are possible on waterfalls with 6in or 13in lips with Waterfall Sheet or Waterfall Rain water effects.

Use the chart below to select the waterfall width and proper lip length for your desired radius curve.

When ordering a waterfall with a factory cut radius, follow these steps:

1. Order the waterfall part number.
2. Then include item number 5890001 on the order to indicate that you need a factory cut radius.
3. Then include a note specifying the exact radius dimension.
4. Be sure to specify "Convex" or "Concave" on your note.



An example of a complete order for a waterfall with a factory cut radius would be:
Item: 581407FSB waterfall.
Item: 5890001 radius charge.
Note: 7 ft convex radius cut.

FACTORY CUT CUSTOM CURVES:
Waterfalls with factory cut custom curves are possible on waterfalls that have 13 in. lips and Waterfall Sheet water effect.

When ordering a waterfall with a factory cut custom curve, follow these steps:

1. Order the waterfall part number.
2. Then include item number 5890002 on the order to indicate that you need a custom curve.
3. Then include a template showing the dimensions of the custom curve shape.

An example of a complete order for a waterfall with a factory cut custom curve would be:

Item: 581407FSB waterfall.
Item: 5890002 custom curve charge.
Note: Refer to enclosed template.

Lip Width Selection Guide for Radius Curve Waterfalls

Pool Section Radius	WATERFALL WIDTH									
	8 IN.	1 FT.	18 IN.	2 FT.	3 FT.	4 FT.	5 FT.	6 FT.	7 FT.	8 FT.
1 ft.	12	12 or 14	12 or 14	N/A	N/A	N/A	N/A	N/A	N/A	N/A
1-1/2 ft.	12	12 or 14	12 or 14	12 or 14	N/A	N/A	N/A	N/A	N/A	N/A
2 ft.	12	12 or 14	12 or 14	12 or 14	14	N/A	N/A	N/A	N/A	N/A
2-1/2 ft.	12	12 or 14	12 or 14	12 or 14	14	N/A	N/A	N/A	N/A	N/A
3 ft.	12	12 or 14	12 or 14	12 or 14	12 or 14	14	N/A	N/A	N/A	N/A
3-1/2 ft.	12	12 or 14	12 or 14	12 or 14	12 or 14	14	N/A	N/A	N/A	N/A
4 ft.	12	12 or 14	12 or 14	12 or 14	12 or 14	14	14	N/A	N/A	N/A
4-1/2 ft.	12	12 or 14	12 or 14	12 or 14	12 or 14	14	14	N/A	N/A	N/A
5 ft.	12	12 or 14	12 or 14	12 or 14	12 or 14	14	14	N/A	N/A	N/A
5-1/2 ft.	12	12 or 14	12 or 14	12 or 14	12 or 14	12 or 14	14	14	N/A	N/A
6 ft.	12	12 or 14	12 or 14	12 or 14	12 or 14	12 or 14	14	14	N/A	N/A
6-1/2 ft.	12	12 or 14	12 or 14	12 or 14	12 or 14	12 or 14	14	14	N/A	N/A
7 ft.	12	12 or 14	12 or 14	12 or 14	12 or 14	12 or 14	14	14	14	N/A
7-1/2 ft.	12	12 or 14	12 or 14	12 or 14	12 or 14	12 or 14	14	14	14	N/A
8 ft.	12	12 or 14	12 or 14	12 or 14	12 or 14	12 or 14	14	14	14	N/A
8-1/2 ft.	12	12 or 14	12 or 14	12 or 14	12 or 14	12 or 14	12 or 14	14	14	N/A
9 ft.	12	12 or 14	12 or 14	12 or 14	12 or 14	12 or 14	12 or 14	14	14	N/A
9-1/2 ft.	12	12 or 14	12 or 14	12 or 14	12 or 14	12 or 14	12 or 14	14	14	14
10 ft.	12	12 or 14	12 or 14	12 or 14	12 or 14	12 or 14	12 or 14	14	14	14
10-1/2 ft.	12	12 or 14	12 or 14	12 or 14	12 or 14	12 or 14	12 or 14	14	14	14
11 ft.	12	12 or 14	12 or 14	12 or 14	12 or 14	12 or 14	12 or 14	14	14	14
11-1/2 ft.	12	12 or 14	12 or 14	12 or 14	12 or 14	12 or 14	12 or 14	14	14	14
12 ft.	12	12 or 14	12 or 14	12 or 14	12 or 14	12 or 14	12 or 14	12 or 14	14	14
12-1/2 ft.	12	12 or 14	12 or 14	12 or 14	12 or 14	12 or 14	12 or 14	12 or 14	14	14
13 ft.	12	12 or 14	12 or 14	12 or 14	12 or 14	12 or 14	12 or 14	12 or 14	14	14
13-1/2 ft.	12	12 or 14	12 or 14	12 or 14	12 or 14	12 or 14	12 or 14	12 or 14	14	14
14 ft.	12	12 or 14	12 or 14	12 or 14	12 or 14	12 or 14	12 or 14	12 or 14	14	14
14-1/2 ft.	12	12 or 14	12 or 14	12 or 14	12 or 14	12 or 14	12 or 14	12 or 14	14	14
15 ft.	12	12 or 14	12 or 14	12 or 14	12 or 14	12 or 14	12 or 14	12 or 14	14	14
15-1/2 ft.	12	12 or 14	12 or 14	12 or 14	12 or 14	12 or 14	12 or 14	12 or 14	14	14
16 ft.	12	12 or 14	12 or 14	12 or 14	12 or 14	12 or 14	12 or 14	12 or 14	12 or 14	14
16-1/2 ft.	12	12 or 14	12 or 14	12 or 14	12 or 14	12 or 14	12 or 14	12 or 14	12 or 14	14
17 ft.	12	12 or 14	12 or 14	12 or 14	12 or 14	12 or 14	12 or 14	12 or 14	12 or 14	14
17-1/2 ft.	12	12 or 14	12 or 14	12 or 14	12 or 14	12 or 14	12 or 14	12 or 14	12 or 14	14
18 ft.	12	12 or 14	12 or 14	12 or 14	12 or 14	12 or 14	12 or 14	12 or 14	12 or 14	14
18-1/2 ft.	12	12 or 14	12 or 14	12 or 14	12 or 14	12 or 14	12 or 14	12 or 14	12 or 14	14
19 ft.	12	12 or 14	12 or 14	12 or 14	12 or 14	12 or 14	12 or 14	12 or 14	12 or 14	14
19-1/2 ft.	12	12 or 14	12 or 14	12 or 14	12 or 14	12 or 14	12 or 14	12 or 14	12 or 14	14
20 ft.	12	12 or 14	12 or 14	12 or 14	12 or 14	12 or 14	12 or 14	12 or 14	12 or 14	14
20-1/2 ft.	12	12 or 14	12 or 14	12 or 14	12 or 14	12 or 14	12 or 14	12 or 14	12 or 14	12 or 14

MAGICFALLS® WATER EFFECTS (CONT'D)

Ordering Information

Brass	Bronze	Copper	Grey	Pewter	White	Description	Carton Qty.	Carton Wt.
WATERFALL SHEET, 1 IN. LIP								
581100FSB	581100FSZ	581100FSP	581100FSG	581100FSS	581100FSW	SHEET / 1 in. LIP / 8 in. WIDE	1	2
581100FSBBF	581100FSZBF	581100FSPBF	581100FSGBF	581100FSSBF	581100FSWBF	SHEET / 1 in. LIP / 8 in. WIDE / BOTTOM FEED	1	2
581101FSB	581101FSZ	581101FSP	581101FSG	581101FSS	581101FSW	SHEET / 1 in. LIP / 1 ft. WIDE	1	3
581101FSBBF	581101FSZBF	581101FSPBF	581101FSGBF	581101FSSBF	581101FSWBF	SHEET / 1 in. LIP / 1 ft. WIDE / BOTTOM FEED	1	3
581118FSB	581118FSZ	581118FSP	581118FSG	581118FSS	581118FSW	SHEET / 1 in. LIP / 18 in. WIDE	1	4
581118FSBBF	581118FSZBF	581118FSPBF	581118FSGBF	581118FSSBF	581118FSWBF	SHEET / 1 in. LIP / 18 in. WIDE / BOTTOM FEED	1	4
581102FSB	581102FSZ	581102FSP	581102FSG	581102FSS	581102FSW	SHEET / 1 in. LIP / 2 ft. WIDE	1	5
581102FSBBF	581102FSZBF	581102FSPBF	581102FSGBF	581102FSSBF	581102FSWBF	SHEET / 1 in. LIP / 2 ft. WIDE / BOTTOM FEED	1	5
581103FSB	581103FSZ	581103FSP	581103FSG	581103FSS	581103FSW	SHEET / 1 in. LIP / 3 ft. WIDE	1	7
581103FSBBF	581103FSZBF	581103FSPBF	581103FSGBF	581103FSSBF	581103FSWBF	SHEET / 1 in. LIP / 3 ft. WIDE / BOTTOM FEED	1	7
581104FSB	581104FSZ	581104FSP	581104FSG	581104FSS	581104FSW	SHEET / 1 in. LIP / 4 ft. WIDE	1	9
581104FSBBF	581104FSZBF	581104FSPBF	581104FSGBF	581104FSSBF	581104FSWBF	SHEET / 1 in. LIP / 4 ft. WIDE / BOTTOM FEED	1	9
581105FSB	581105FSZ	581105FSP	581105FSG	581105FSS	581105FSW	SHEET / 1 in. LIP / 5 ft. WIDE	1	11
581106FSB	581106FSZ	581106FSP	581106FSG	581106FSS	581106FSW	SHEET / 1 in. LIP / 6 ft. WIDE	1	15
581107FSB	581107FSZ	581107FSP	581107FSG	581107FSS	581107FSW	SHEET / 1 in. LIP / 7 ft. WIDE	1	18
581108FSB	581108FSZ	581108FSP	581108FSG	581108FSS	581108FSW	SHEET / 1 in. LIP / 8 ft. WIDE	1	21
WATERFALL SHEET, 6 IN. LIP								
581200FSB	581200FSZ	581200FSP	581200FSG	581200FSS	581200FSW	SHEET / 6 in. LIP / 8 in. WIDE	1	3
581200FSBBF	581200FSZBF	581200FSPBF	581200FSGBF	581200FSSBF	581200FSWBF	SHEET / 6 in. LIP / 8 in. WIDE / BOTTOM FEED	1	3
581201FSB	581201FSZ	581201FSP	581201FSG	581201FSS	581201FSW	SHEET / 6 in. LIP / 1 ft. WIDE	1	5
581201FSBBF	581201FSZBF	581201FSPBF	581201FSGBF	581201FSSBF	581201FSWBF	SHEET / 6 in. LIP / 1 ft. WIDE / BOTTOM FEED	1	5
581218FSB	581218FSZ	581218FSP	581218FSG	581218FSS	581218FSW	SHEET / 6 in. LIP / 18 in. WIDE	1	6
581218FSBBF	581218FSZBF	581218FSPBF	581218FSGBF	581218FSSBF	581218FSWBF	SHEET / 6 in. LIP / 18 in. WIDE / BOTTOM FEED	1	6
581202FSB	581202FSZ	581202FSP	581202FSG	581202FSS	581202FSW	SHEET / 6 in. LIP / 2 ft. WIDE	1	8
581202FSBBF	581202FSZBF	581202FSPBF	581202FSGBF	581202FSSBF	581202FSWBF	SHEET / 6 in. LIP / 2 ft. WIDE / BOTTOM FEED	1	8
581203FSB	581203FSZ	581203FSP	581203FSG	581203FSS	581203FSW	SHEET / 6 in. LIP / 3 ft. WIDE	1	12
581203FSBBF	581203FSZBF	581203FSPBF	581203FSGBF	581203FSSBF	581203FSWBF	SHEET / 6 in. LIP / 3 ft. WIDE / BOTTOM FEED	1	12
581204FSB	581204FSZ	581204FSP	581204FSG	581204FSS	581204FSW	SHEET / 6 in. LIP / 4 ft. WIDE	1	16
581204FSBBF	581204FSZBF	581204FSPBF	581204FSGBF	581204FSSBF	581204FSWBF	SHEET / 6 in. LIP / 4 ft. WIDE / BOTTOM FEED	1	16
581205FSB	581205FSZ	581205FSP	581205FSG	581205FSS	581205FSW	SHEET / 6 in. LIP / 5 ft. WIDE	1	20
581206FSB	581206FSZ	581206FSP	581206FSG	581206FSS	581206FSW	SHEET / 6 in. LIP / 6 ft. WIDE	1	27
581207FSB	581207FSZ	581207FSP	581207FSG	581207FSS	581207FSW	SHEET / 6 in. LIP / 7 ft. WIDE	1	31
581208FSB	581208FSZ	581208FSP	581208FSG	581208FSS	581208FSW	SHEET / 6 in. LIP / 8 ft. WIDE	1	36
WATERFALL SHEET, 13 IN. LIP								
581401FSB	581401WFZG	581401FSP	581401FSG	581401FSS	581401FSW	SHEET / 13 in. LIP / 1 ft. WIDE	1	8
581401FSBBF	581401FSZBF	581401FSPBF	581401FSGBF	581401FSSBF	581401FSWBF	SHEET / 13 in. LIP / 1 ft. WIDE / BOTTOM FEED	1	8
581418FSB	581418FSZ	581418FSP	581418FSG	581418FSS	581418FSW	SHEET / 13 in. LIP / 18 in. WIDE	1	12
581418FSBBF	581418FSZBF	581418FSPBF	581418FSGBF	581418FSSBF	581418FSWBF	SHEET / 13 in. LIP / 18 in. WIDE / BOTTOM FEED	1	12
581402FSB	581402FSZ	581402FSP	581402FSG	581402FSS	581402FSW	SHEET / 13 in. LIP / 2 ft. WIDE	1	16
581402FSBBF	581402FSZBF	581402FSPBF	581402FSGBF	581402FSSBF	581402FSWBF	SHEET / 13 in. LIP / 2 ft. WIDE / BOTTOM FEED	1	16
581403FSB	581403FSZ	581403FSP	581403FSG	581403FSS	581403FSW	SHEET / 13 in. LIP / 3 ft. WIDE	1	22
581403FSBBF	581403FSZBF	581403FSPBF	581403FSGBF	581403FSSBF	581403FSWBF	SHEET / 13 in. LIP / 3 ft. WIDE / BOTTOM FEED	1	22
581404FSB	581404FSZ	581404FSP	581404FSG	581404FSS	581404FSW	SHEET / 13 in. LIP / 4 ft. WIDE	1	29
581404FSBBF	581404FSZBF	581404FSPBF	581404FSGBF	581404FSSBF	581404FSWBF	SHEET / 13 in. LIP / 4 ft. WIDE / BOTTOM FEED	1	29
581405FSB	581405FSZ	581405FSP	581405FSG	581405FSS	581405FSW	SHEET / 13 in. LIP / 5 ft. WIDE	1	34
581406FSB	581406FSZ	581406FSP	581406FSG	581406FSS	581406FSW	SHEET / 13 in. LIP / 6 ft. WIDE	1	42
581407FSB	581407FSZ	581407FSP	581407FSG	581407FSS	581407FSW	SHEET / 13 in. LIP / 7 ft. WIDE	1	48
581408FSB	581408FSZ	581408FSP	581408FSG	581408FSS	581408FSW	SHEET / 13 in. LIP / 8 ft. WIDE	1	56

MAGICFALLS® WATER EFFECTS (CONT'D)

Ordering Information

Brass	Bronze	Copper	Grey	Pewter	White	Description	Carton Qty.	Carton Wt.
WATERFALL CURTAIN, 6 IN. LIP								
581200FCB	581200FCZ	581200FCP	581200FCG	581200FCS	581200FCW	CURTAIN / 6 in. LIP / 8 in. WIDE	1	3
581200FCBBF	581200FCZBF	581200FCPBF	581200FCGBF	581200FCSBF	581200FCWBF	CURTAIN / 6 in. LIP / 8 in. WIDE / BOTTOM FEED	1	3
581201FCB	581201FCZ	581201FCP	581201FCG	581201FCS	581201FCW	CURTAIN / 6 in. LIP / 1 ft. WIDE	1	5
581201FCBBF	581201FCZBF	581201FCPBF	581201FCGBF	581201FCSBF	581201FCWBF	CURTAIN / 6 in. LIP / 1 ft. WIDE / BOTTOM FEED	1	5
581218FCB	581218FCZ	581218FCP	581218FCG	581218FCS	581218FCW	CURTAIN / 6 in. LIP / 18 in. WIDE	1	6
581218FCBBF	581218FCZBF	581218FCPBF	581218FCGBF	581218FCSBF	581218FCWBF	CURTAIN / 6 in. LIP / 18 in. WIDE / BOTTOM FEED	1	6
581202FCB	581202FCZ	581202FCP	581202FCG	581202FCS	581202FCW	CURTAIN / 6 in. LIP / 2 ft. WIDE	1	8
581202FCBBF	581202FCZBF	581202FCPBF	581202FCGBF	581202FCSBF	581202FCWBF	CURTAIN / 6 in. LIP / 2 ft. WIDE / BOTTOM FEED	1	8
581203FCB	581203FCZ	581203FCP	581203FCG	581203FCS	581203FCW	CURTAIN / 6 in. LIP / 3 ft. WIDE	1	12
581203FCBBF	581203FCZBF	581203FCPBF	581203FCGBF	581203FCSBF	581203FCWBF	CURTAIN / 6 in. LIP / 3 ft. WIDE / BOTTOM FEED	1	12
581204FCB	581204FCZ	581204FCP	581204FCG	581204FCS	581204FCW	CURTAIN / 6 in. LIP / 4 ft. WIDE	1	16
581204FCBBF	581204FCZBF	581204FCPBF	581204FCGBF	581204FCSBF	581204FCWBF	CURTAIN / 6 in. LIP / 4 ft. WIDE / BOTTOM FEED	1	16
581205FCB	581205FCZ	581205FCP	581205FCG	581205FCS	581205FCW	CURTAIN / 6 in. LIP / 5 ft. WIDE	1	20
581206FCB	581206FCZ	581206FCP	581206FCG	581206FCS	581206FCW	CURTAIN / 6 in. LIP / 6 ft. WIDE	1	27
581207FCB	581207FCZ	581207FCP	581207FCG	581207FCS	581207FCW	CURTAIN / 6 in. LIP / 7 ft. WIDE	1	31
581208FCB	581208FCZ	581208FCP	581208FCG	581208FCS	581208FCW	CURTAIN / 6 in. LIP / 8 ft. WIDE	1	36
WATERFALL CURTAIN, 13 IN. LIP								
581401FCB	581401FCZ	581401FCP	581401FCG	581401FCS	581401FCW	CURTAIN / 13 in. LIP / 1 ft. WIDE	1	8
581401FCBBF	581401FCZBF	581401FCPBF	581401FCGBF	581401FCSBF	581401FCWBF	CURTAIN / 13 in. LIP / 1 ft. WIDE / BOTTOM FEED	1	8
581418FCB	581418FCZ	581418FCP	581418FCG	581418FCS	581418FCW	CURTAIN / 13 in. LIP / 18 in. WIDE	1	12
581418FCBBF	581418FCZBF	581418FCPBF	581418FCGBF	581418FCSBF	581418FCWBF	CURTAIN / 13 in. LIP / 18 in. WIDE / BOTTOM FEED	1	12
581402FCB	581402FCZ	581402FCP	581402FCG	581402FCS	581402FCW	CURTAIN / 13 in. LIP / 2 ft. WIDE	1	16
581402FCBBF	581402FCZBF	581402FCPBF	581402FCGBF	581402FCSBF	581402FCWBF	CURTAIN / 13 in. LIP / 2 ft. WIDE / BOTTOM FEED	1	16
581403FCB	581403FCZ	581403FCP	581403FCG	581403FCS	581403FCW	CURTAIN / 13 in. LIP / 3 ft. WIDE	1	22
581403FCBBF	581403FCZBF	581403FCPBF	581403FCGBF	581403FCSBF	581403FCWBF	CURTAIN / 13 in. LIP / 3 ft. WIDE / BOTTOM FEED	1	22
581404FCB	581404FCZ	581404FCP	581404FCG	581404FCS	581404FCW	CURTAIN / 13 in. LIP / 4 ft. WIDE	1	29
581404FCBBF	581404FCZBF	581404FCPBF	581404FCGBF	581404FCSBF	581404FCWBF	CURTAIN / 13 in. LIP / 4 ft. WIDE / BOTTOM FEED	1	29
581405FCB	581405FCZ	581405FCP	581405FCG	581405FCS	581405FCW	CURTAIN / 13 in. LIP / 5 ft. WIDE	1	34
581406FCB	581406FCZ	581406FCP	581406FCG	581406FCS	581406FCW	CURTAIN / 13 in. LIP / 6 ft. WIDE	1	42
581407FCB	581407FCZ	581407FCP	581407FCG	581407FCS	581407FCW	CURTAIN / 13 in. LIP / 7 ft. WIDE	1	48
581408FCB	581408FCZ	581408FCP	581408FCG	581408FCS	581408FCW	CURTAIN / 13 in. LIP / 8 ft. WIDE	1	56

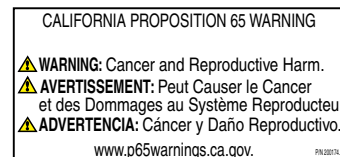
NOTES TO INSTALLERS:

1. Waterfalls Widths 5 ft.–8 ft. have two (2) Rear 1-1/2 in. Slip Male connections AND a precut manifold to balance the flow.
2. Not all Water Effects are available in all lengths. Check Price List to confirm availability.
3. Radius and Custom Curves require the use of additional option part numbers. Must specify radius and convex pool or concave pool, OR provide template (custom curve shape).

FACTORY CUT CURVES

Factory Radius Cut: 12 & 14 Series (P/N 5890001)

Custom Curve Shape: 14 Series (P/N 5890002)



MAGICFALLS® WATER EFFECTS (CONT'D)

Brass	Bronze	Copper	Grey	Pewter	White	Description	Carton Qty.	Carton Wt.
WATERFALL RAIN, 6 IN. LIP								
581200FRB	581200FRZ	581200FRP	581200FRG	581200FRS	581200FRW	RAIN / 6 in. LIP / 8 in. WIDE	1	3
581200FRBBF	581200FRZBF	581200FRPBF	581200FRGBF	581200FRSBF	581200FRWBF	RAIN / 6 in. LIP / 8 in. WIDE / BOTTOM FEED	1	3
581201FRB	581201FRZ	581201FRP	581201FRG	581201FRS	581201FRW	RAIN / 6 in. LIP / 1 ft. WIDE	1	5
581201FRBBF	581201FRZBF	581201FRPBF	581201FRGBF	581201FRSBF	581201FRWBF	RAIN / 6 in. LIP / 1 ft. WIDE / BOTTOM FEED	1	5
581218FRB	581218FRZ	581218FRP	581218FRG	581218FRS	581218FRW	RAIN / 6 in. LIP / 18 in. WIDE	1	6
581218FRBBF	581218FRZBF	581218FRPBF	581218FRGBF	581218FRSBF	581218FRWBF	RAIN / 6 in. LIP / 18 in. WIDE / BOTTOM FEED	1	6
581202FRB	581202FRZ	581202FRP	581202FRG	581202FRS	581202FRW	RAIN / 6 in. LIP / 2 ft. WIDE	1	8
581202FRBBF	581202FRZBF	581202FRPBF	581202FRGBF	581202FRSBF	581202FRWBF	RAIN / 6 in. LIP / 2 ft. WIDE / BOTTOM FEED	1	8
581203FRB	581203FRZ	581203FRP	581203FRG	581203FRS	581203FRW	RAIN / 6 in. LIP / 3 ft. WIDE	1	12
581203FRBBF	581203FRZBF	581203FRPBF	581203FRGBF	581203FRSBF	581203FRWBF	RAIN / 6 in. LIP / 3 ft. WIDE / BOTTOM FEED	1	12
581204FRB	581204FRZ	581204FRP	581204FRG	581204FRS	581204FRW	RAIN / 6 in. LIP / 4 ft. WIDE	1	16
581204FRBBF	581204FRZBF	581204FRPBF	581204FRGBF	581204FRSBF	581204FRWBF	RAIN / 6 in. LIP / 4 ft. WIDE / BOTTOM FEED	1	16
581205FRB	581205FRZ	581205FRP	581205FRG	581205FRS	581205FRW	RAIN / 6 in. LIP / 5 ft. WIDE	1	20
581206FRB	581206FRZ	581206FRP	581206FRG	581206FRS	581206FRW	RAIN / 6 in. LIP / 6 ft. WIDE	1	27
581207FRB	581207FRZ	581207FRP	581207FRG	581207FRS	581207FRW	RAIN / 6 in. LIP / 7 ft. WIDE	1	31
581208FRB	581208FRZ	581208FRP	581208FRG	581208FRS	581208FRW	RAIN / 6 in. LIP / 8 ft. WIDE	1	36
WATERFALL RAIN, 13 IN. LIP								
581401FRB	581401FRZ	581401FRP	581401FRG	581401FRS	581401FRW	RAIN / 13 in. LIP / 1 ft. WIDE	1	8
581401FRBBF	581401FRZBF	581401FRPBF	581401FRGBF	581401FRSBF	581401FRWBF	RAIN / 13 in. LIP / 1 ft. WIDE / BOTTOM FEED	1	8
581418FRB	581418FRZ	581418FRP	581418FRG	581418FRS	581418FRW	RAIN / 13 in. LIP / 18 in. WIDE	1	12
581418FRBBF	581418FRZBF	581418FRPBF	581418FRGBF	581418FRSBF	581418FRWBF	RAIN / 13 in. LIP / 18 in. WIDE / BOTTOM FEED	1	12
581402FRB	581402FRZ	581402FRP	581402FRG	581402FRS	581402FRW	RAIN / 13 in. LIP / 2 ft. WIDE	1	16
581402FRBBF	581402FRZBF	581402FRPBF	581402FRGBF	581402FRSBF	581402FRWBF	RAIN / 13 in. LIP / 2 ft. WIDE / BOTTOM FEED	1	16
581403FRB	581403FRZ	581403FRP	581403FRG	581403FRS	581403FRW	RAIN / 13 in. LIP / 3 ft. WIDE	1	22
581403FRBBF	581403FRZBF	581403FRPBF	581403FRGBF	581403FRSBF	581403FRWBF	RAIN / 13 in. LIP / 3 ft. WIDE / BOTTOM FEED	1	22
581404FRB	581404FRZ	581404FRP	581404FRG	581404FRS	581404FRW	RAIN / 13 in. LIP / 4 ft. WIDE	1	29
581404FRBBF	581404FRZBF	581404FRPBF	581404FRGBF	581404FRSBF	581404FRWBF	RAIN / 13 in. LIP / 4 ft. WIDE / BOTTOM FEED	1	29
581405FRB	581405FRZ	581405FRP	581405FRG	581405FRS	581405FRW	RAIN / 13 in. LIP / 5 ft. WIDE	1	34
581406FRB	581406FRZ	581406FRP	581406FRG	581406FRS	581406FRW	RAIN / 13 in. LIP / 6 ft. WIDE	1	42
581407FRB	581407FRZ	581407FRP	581407FRG	581407FRS	581407FRW	RAIN / 13 in. LIP / 7 ft. WIDE	1	48
581408FRB	581408FRZ	581408FRP	581408FRG	581408FRS	581408FRW	RAIN / 13 in. LIP / 8 ft. WIDE	1	56
ARC SHEET, 6 IN. LIP								
581200ASB	581200ASZ	581200ASP	581200ASG	581200ASS	581200ASW	ARC SHEET / 6 in. LIP / 8 in. WIDE	1	3
581200ASBBF	581200ASZBF	581200ASPBF	581200ASGBF	581200ASSBF	581200ASWBF	ARC SHEET / 6 in. LIP / 8 in. WIDE / BOTTOM FEED	1	3
581201ASB	581201ASZ	581201ASP	581201ASG	581201ASS	581201ASW	ARC SHEET / 6 in. LIP / 1 ft. WIDE	1	5
581201ASBBF	581201ASZBF	581201ASPBF	581201ASGBF	581201ASSBF	581201ASWBF	ARC SHEET / 6 in. LIP / 1 ft. WIDE / BOTTOM FEED	1	5
581218ASB	581218ASZ	581218ASP	581218ASG	581218ASS	581218ASW	ARC SHEET / 6 in. LIP / 18 in. WIDE	1	6
581218ASBBF	581218ASZBF	581218ASPBF	581218ASGBF	581218ASSBF	581218ASWBF	ARC SHEET / 6 in. LIP / 18 in. WIDE / BOTTOM FEED	1	6
581202ASB	581202ASZ	581202ASP	581202ASG	581202ASS	581202ASW	ARC SHEET / 6 in. LIP / 2 ft. WIDE	1	8
581202ASBBF	581202ASZBF	581202ASPBF	581202ASGBF	581202ASSBF	581202ASWBF	ARC SHEET / 6 in. LIP / 2 ft. WIDE / BOTTOM FEED	1	8
ARC SHEET, 13 IN. LIP								
581401ASB	581401ASZ	581401ASP	581401ASG	581401ASS	581401ASW	ARC SHEET / 13 in. LIP / 1 ft. WIDE	1	8
581401ASBBF	581401ASZBF	581401ASPBF	581401ASGBF	581401ASSBF	581401ASWBF	ARC SHEET / 13 in. LIP / 1 ft. WIDE / BOTTOM FEED	1	8
581418ASB	581418ASZ	581418ASP	581418ASG	581418ASS	581418ASW	ARC SHEET / 13 in. LIP / 18 in. WIDE	1	12
581418ASBBF	581418ASZBF	581418ASPBF	581418ASGBF	581418ASSBF	581418ASWBF	ARC SHEET / 13 in. LIP / 18 in. WIDE / BOTTOM FEED	1	12
581402ASB	581402ASZ	581402ASP	581402ASG	581402ASS	581402ASW	ARC SHEET / 13 in. LIP / 2 ft. WIDE	1	16
581402ASBBF	581402ASZBF	581402ASPBF	581402ASGBF	581402ASSBF	581402ASWBF	ARC SHEET / 13 in. LIP / 2 ft. WIDE / BOTTOM FEED	1	16

MAGICFALLS® WATER EFFECTS (CONT'D)

Ordering Information

Brass	Bronze	Copper	Grey	Pewter	White	Description	Carton Qty.	Carton Wt.
ARC RAIN, 6 IN. LIP								
581200ARB	581200ARZ	581200ARP	581200ARG	581200ARS	581200ARW	ARC RAIN / 6 in. LIP / 8 in. WIDE	1	3
581200ARBBF	581200ARZBF	581200ARPBF	581200ARGBF	581200ARSBF	581200ARWBF	ARC RAIN / 6 in. LIP / 8 in. WIDE / BOTTOM FEED	1	3
581201ARB	581201ARZ	581201ARP	581201ARG	581201ARS	581201ARW	ARC RAIN / 6 in. LIP / 1 ft. WIDE	1	5
581201ARBBF	581201ARZBF	581201ARPBF	581201ARGBF	581201ARSBF	581201ARWBF	ARC RAIN / 6 in. LIP / 1 ft. WIDE / BOTTOM FEED	1	5
581218ARB	581218ARZ	581218ARP	581218ARG	581218ARS	581218ARW	ARC RAIN / 6 in. LIP / 18 in. WIDE	1	6
581218ARBBF	581218ARZBF	581218ARPBF	581218ARGBF	581218ARSBF	581218ARWBF	ARC RAIN / 6 in. LIP / 18 in. WIDE / BOTTOM FEED	1	6
581202ARB	581202ARZ	581202ARP	581202ARG	581202ARS	581202ARW	ARC RAIN / 6 in. LIP / 2 ft. WIDE	1	8
581202ARBBF	581202ARZBF	581202ARPBF	581202ARGBF	581202ARSBF	581202ARWBF	ARC RAIN / 6 in. LIP / 2 ft. WIDE / BOTTOM FEED	1	8
581203ARB	581203ARZ	581203ARP	581203ARG	581203ARS	581203ARW	ARC RAIN / 6 in. LIP / 3 ft. WIDE	1	12
581203ARBBF	581203ARZBF	581203ARPBF	581203ARGBF	581203ARSBF	581203ARWBF	ARC RAIN / 6 in. LIP / 3 ft. WIDE / BOTTOM FEED	1	12
581204ARB	581204ARZ	581204ARP	581204ARG	581204ARS	581204ARW	ARC RAIN / 6 in. LIP / 4 ft. WIDE	1	16
581204ARBBF	581204ARZBF	581204ARPBF	581204ARGBF	581204ARSBF	581204ARWBF	ARC RAIN / 6 in. LIP / 4 ft. WIDE / BOTTOM FEED	1	16
581205ARB	581205ARZ	581205ARP	581205ARG	581205ARS	581205ARW	ARC RAIN / 6 in. LIP / 5 ft. WIDE	1	20
581206ARB	581206ARZ	581206ARP	581206ARG	581206ARS	581206ARW	ARC RAIN / 6 in. LIP / 6 ft. WIDE	1	27
581207ARB	581207ARZ	581207ARP	581207ARG	581207ARS	581207ARW	ARC RAIN / 6 in. LIP / 7 ft. WIDE	1	31
581208ARB	581208ARZ	581208ARP	581208ARG	581208ARS	581208ARW	ARC RAIN / 6 in. LIP / 8 ft. WIDE	1	36
ARC RAIN, 13 IN. LIP								
581401ARB	581401ARZ	581401ARP	581401ARG	581401ARS	581401ARW	ARC RAIN / 13 in. LIP / 1 ft. WIDE	1	8
581401ARBBF	581401ARZBF	581401ARPBF	581401ARGBF	581401ARSBF	581401ARWBF	ARC RAIN / 13 in. LIP / 1 ft. WIDE / BOTTOM FEED	1	8
581418ARB	581418ARZ	581418ARP	581418ARG	581418ARS	581418ARW	ARC RAIN / 13 in. LIP / 18 in. WIDE	1	12
581418ARBBF	581418ARZBF	581418ARPBF	581418ARGBF	581418ARSBF	581418ARWBF	ARC RAIN / 13 in. LIP / 18 in. WIDE / BOTTOM FEED	1	12
581402ARB	581402ARZ	581402ARP	581402ARG	581402ARS	581402ARW	ARC RAIN / 13 in. LIP / 2 ft. WIDE	1	16
581402ARBBF	581402ARZBF	581402ARPBF	581402ARGBF	581402ARSBF	581402ARWBF	ARC RAIN / 13 in. LIP / 2 ft. WIDE / BOTTOM FEED	1	16
581403ARB	581403ARZ	581403ARP	581403ARG	581403ARS	581403ARW	ARC RAIN / 13 in. LIP / 3 ft. WIDE	1	22
581403ARBBF	581403ARZBF	581403ARPBF	581403ARGBF	581403ARSBF	581403ARWBF	ARC RAIN / 13 in. LIP / 3 ft. WIDE / BOTTOM FEED	1	22
581404ARB	581404ARZ	581404ARP	581404ARG	581404ARS	581404ARW	ARC RAIN / 13 in. LIP / 4 ft. WIDE	1	29
581404ARBBF	581404ARZBF	581404ARPBF	581404ARGBF	581404ARSBF	581404ARWBF	ARC RAIN / 13 in. LIP / 4 ft. WIDE / BOTTOM FEED	1	29
581405ARB	581405ARZ	581405ARP	581405ARG	581405ARS	581405ARW	ARC RAIN / 13 in. LIP / 5 ft. WIDE	1	34
581406ARB	581406ARZ	581406ARP	581406ARG	581406ARS	581406ARW	ARC RAIN / 13 in. LIP / 6 ft. WIDE	1	42
581407ARB	581407ARZ	581407ARP	581407ARG	581407ARS	581407ARW	ARC RAIN / 13 in. LIP / 7 ft. WIDE	1	48
581408ARB	581408ARZ	581408ARP	581408ARG	581408ARS	581408ARW	ARC RAIN / 13 in. LIP / 8 ft. WIDE	1	56

NOTES TO INSTALLERS:

1. Waterfalls Widths 5 ft.–8 ft. have two (2) Rear 1-1/2 in. Slip Male connections AND a precut manifold to balance the flow.
2. Not all Water Effects are available in all lengths. Check Price List to confirm availability.
3. Radius and Custom Curves require the use of additional option part numbers. Must specify radius and convex pool or concave pool, OR provide template (custom curve shape).

FACTORY CUT CURVES

Factory Radius Cut: 12 & 14 Series (P/N 5890001)

Custom Curve Shape: 14 Series (P/N 5890002)

CALIFORNIA PROPOSITION 65 WARNING

▲ **WARNING:** Cancer and Reproductive Harm.
▲ **AVERTISSEMENT:** Peut Causer le Cancer et des Dommages au Système Reproducteur.
▲ **ADVERTENCIA:** Cáncer y Daño Reproductivo.

www.p65warnings.ca.gov
P65B074



PENTAIR
POOL

WHITE GOODS

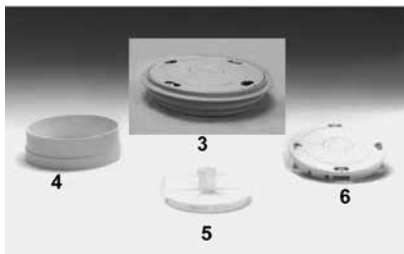


ADMIRAL™ S15 AND S20 SKIMMERS

ADMIRAL SKIMMERS FOR POOLS AND SPAS



Admiral Skimmers



Admiral Skimmer Accessories

Featured Highlights

- Admiral 15 Skimmers: High strength ABS body
- Admiral S20 Skimmers: Reinforced PVC base
- Slip FIPT, 1-1/2 inch or 2 inch
- Variety of throat lengths
- Easy to install
- Innovative lock down lid
- 1-1/2 inch and 2 inch ports
- Lid extension collars
- Flap weir or the circular weir
- Custom logo disk available

Admiral S15 Skimmers offer a variety of bases and throats for a wide range of plumbing and construction requirements, configurations and materials. S15 Skimmers are injection molded of high strength ABS and are available with a flap weir for skimming action.

Admiral S20 Skimmers have a PVC reinforced twin port base. S20 may be purchased with equalizer for commercial and NSF applications or for when the second port is connected to the main drain. All models include the innovative lock down lid and are available with a flap weir or the circular weir for greater skimming action.

Ordering Information

Product	Description	Carton Qty.	Carton Wt. (Lbs.)
S15 SKIMMERS FOR CONCRETE CONSTRUCTION			
84120100	S15, circ. weir, 1-1/2 in., threaded	1	10
84120200	S15, circ. weir, 2 in., threaded	1	10
84900300	S15, flap weir, 1-1/2 in., threaded	1	10
S20 SKIMMERS FOR CONCRETE CONSTRUCTION			
84420405	S20, flap weir, no equalizer, 1-1/2 in. slip	1	10
84420505	S20, circ. weir, equalizer, 2 in. slip ¹	1	12
84420530	S20, circ. weir, equalizer, 2 in. threaded, tan ¹	1	12
84420730	S20, circ. weir, 2 in. threaded, tan	1	10
84420605	S20, flap weir, equalizer, 2 in. slip ¹	1	12
84420630	S20, flap weir, equalizer, 2 in. threaded, tan ¹	1	12
84420800	S20, flap weir, no equalizer, 2 in. threaded, FIPT	1	10
84420805	S20, flap weir, no equalizer, 2 in. slip	1	10
84420735	S20, circ. weir, 2 in. slip, tan	1	10
S20 SKIMMERS FOR FIBERGLASS POOLS			
500023	S20, "WEDGE" flap weir, equalizer, 2 in. slip ¹	1	10

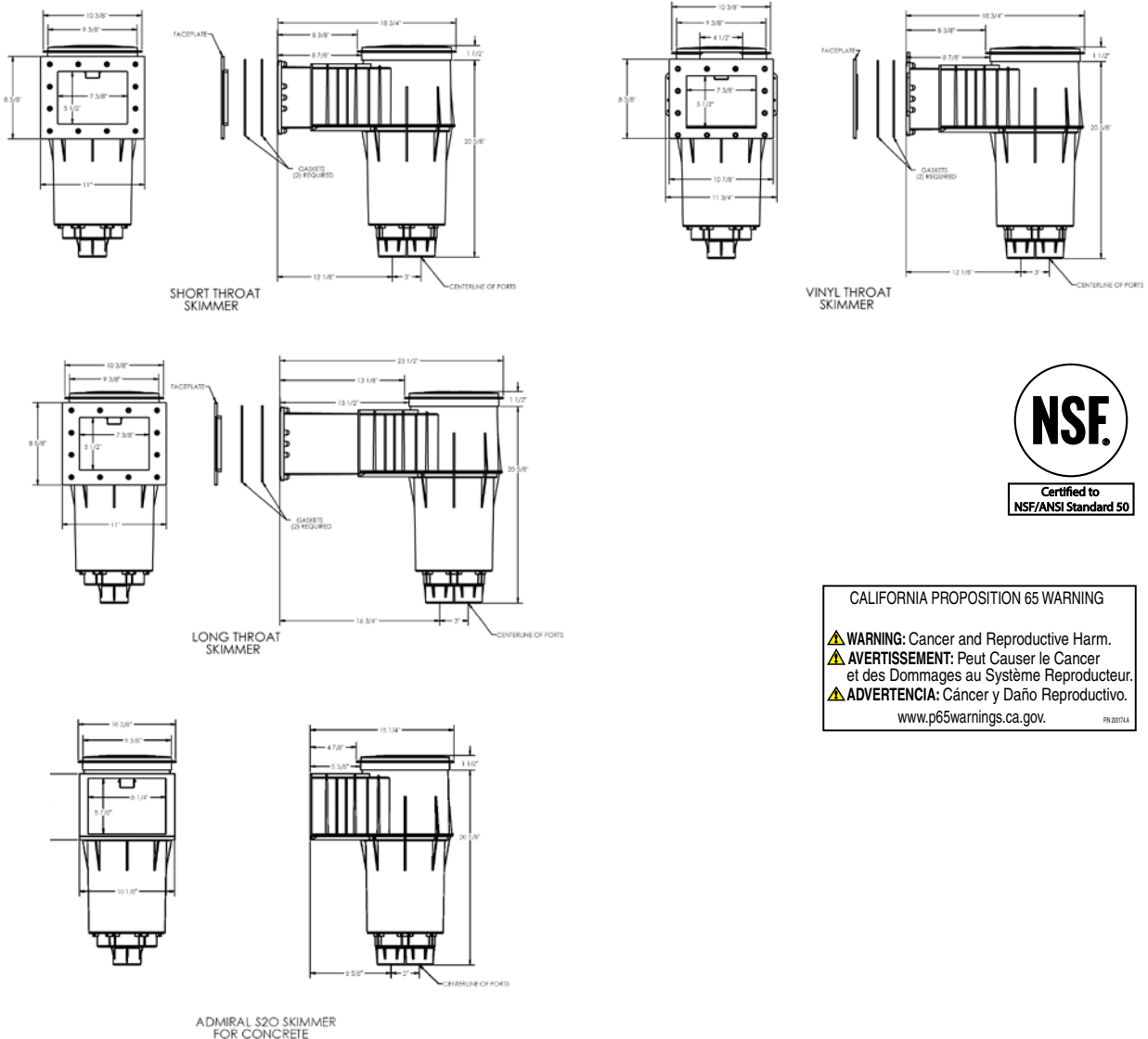
¹ NSF certified for commercial installation. Check valve 506162 must be purchased separately.

ADMIRAL™ S15 & S20 SKIMMERS (CONT'D)

506162	Equalizer check valve	1	0.25
85018000	Lid with ring seat, S15 & S20, 9 in. beige	1	1
85002300	Extension collar for ring seat, adjustable to 3 in.	1	0.50
85001900	Vacuum plate adapter, S15 & S20	1	0.50
85007400Z	Lock down lid for existing Admiral skimmers, white	1	0.50
85007411	Lock down lid for existing Admiral skimmers, black	1	0.50
85007413	Lock down lid for existing Admiral skimmers, gray	1	0.50
85007430	Lock down lid for existing Admiral skimmers, tan	1	0.50
85000400	Lid/collar set, white	1	0.50
85000411	Lid/collar set, black	1	0.50

Dimensions and Performance

ADMIRAL S20 SKIMMER PROFILE



CALIFORNIA PROPOSITION 65 WARNING
 ⚠️ **WARNING:** Cancer and Reproductive Harm.
 ⚠️ **AVERTISSEMENT:** Peut Causer le Cancer et des Dommages au Système Reproducteur.
 ⚠️ **ADVERTENCIA:** Cáncer y Daño Reproductivo.
www.p65warnings.ca.gov PR20216A

BERMUDA™ SKIMMERS

SKIMMERS FOR GUNITE POOLS, VINYL LINER AND FIBERGLASS POOLS

Featured Highlights

Choose among the following configurations:

- ABS or PVC
- White, black and tan colors available
- 1-1/2 in. or 2 in. slip or threaded ports
- Optional equalizer valve

Bermuda Skimmers feature a heavy-duty one-piece construction with sturdy external ribbing for superior strength. All Bermuda Skimmers for vinyl liner and fiberglass pools are made from ABS plastic.



Vinyl/Fiberglass Skimmer

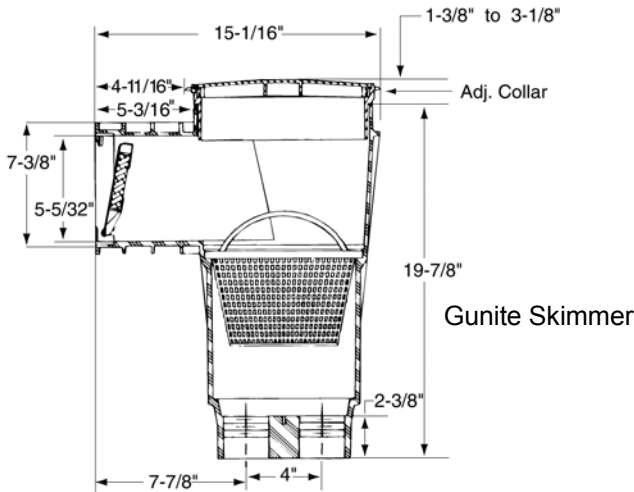


Gunite Skimmer



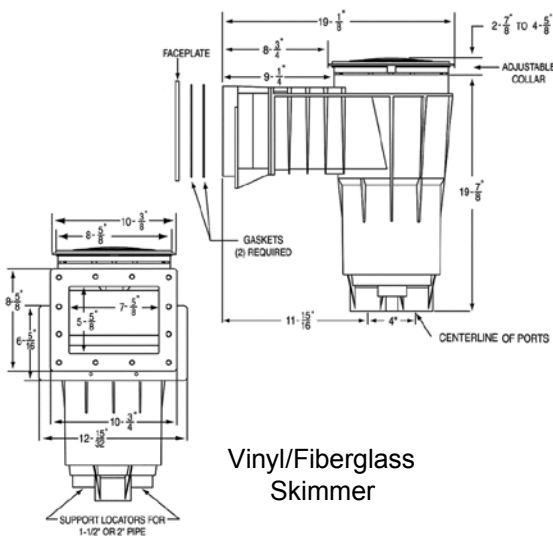
Wide-mouth Vinyl/Fiberglass Skimmer

Dimensions and Performance

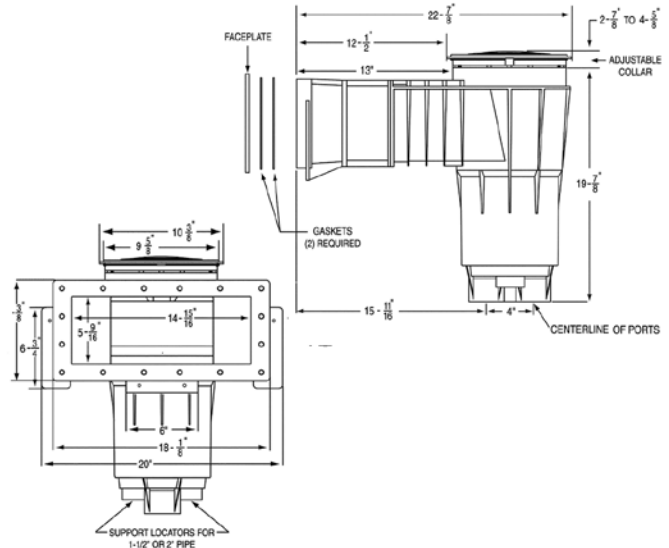


Gunite Skimmer

CALIFORNIA PROPOSITION 65 WARNING
 ⚠️ WARNING: Cancer and Reproductive Harm.
 ⚠️ AVERTISSEMENT: Peut Causer le Cancer et des Dommages au Système Reproducteur.
 ⚠️ ADVERTENCIA: Cáncer y Daño Reproductivo.
www.p65warnings.ca.gov P652014



Vinyl/Fiberglass Skimmer



BERMUDA™ SKIMMERS (CONT'D)

Ordering Information



Product	Description	Material Type	Carton Qty.	Carton Wt. (Lbs.)
GUNITE SKIMMERS				
506300	2 in. Slip ports, white	PVC	1	10
506301	2 in. Threaded ports, white	PVC	1	10
506302	2 in. Slip ports, tan	PVC	1	10
506304	1-1/2 in. Slip ports, white	PVC	1	10
506361	2 in. Slip ports, white	ABS	1	10
506362	2 in. Threaded ports, white	ABS	1	10
506363	1-1/2 in. Slip ports, white	ABS	1	10
506364	1-1/2 in. Threaded ports, white	ABS	1	10
506365	2 in. Slip ports, black	ABS	1	10
GUNITE SKIMMERS WITH FLOAT VALVE ASSEMBLY				
506382	2 in. Slip ports, tan	ABS	1	10
506308	2 in. Slip ports with float valve, white	PVC	1	10
506309	2 in. Threaded ports with float valve, white	PVC	1	10
506310	2 in. Slip ports, tan	PVC	1	10
GUNITE SKIMMERS WITH FLOAT VALVE & EQUALIZER VALVE ASSEMBLY				
506370	2 in. slip ports, white ¹ (BKG)	PVC	1	10
506380	2 in. slip ports, white ¹ (ABKG)	ABS	1	10
506381	2 in. threaded ports, white ¹ (ABKG)	ABS	1	10
VINYL/FIBERGLASS SKIMMER				
506420	1-1/2 in. Slip ports, white	ABS	1	10
506421	1-1/2 in. Threaded ports, white	ABS	1	10
506480	1-1/2 in. Threaded ports, black	ABS	1	10
WIDE-MOUTH SKIMMER FOR VINYL LINER & FIBERGLASS POOLS				
506520	1-1/2 in. Slip ports, white	ABS	1	10
506521	1-1/2 in. Threaded ports, white	ABS	1	10
506581	1-1/2 in. Threaded ports, black	ABS	1	10

¹ NSF certified.



A



B



F



E

Item	Product	Description	Carton Wt. (Lbs.)
BERMUDA ACCESSORIES			
A	506160	Float valve assembly	1
B	506161	Vacuum plate/insert assembly, white	0.50
C	506162	Equalizer valve assembly	1.3
E	516253	Gunite extension collar, white, 3-1/8 in. length	0.20
E	516258	Gunite extension collar, tan, 3-1/8 in. length	0.60
E	516329	Gunite extension collar, black, 3-1/8 in. length	0.60
F	510327	Deck lid and collar assembly with screws, dark gray	1.3
F	510332	Deck lid, dark gray	0.50
F	516215	Deck lid, white	0.50
F	516216	Deck lid, tan	0.50
F	516254	Deck lid and collar assembly with screws, white	1.3
F	516261	Deck lid and collar assembly with screws, tan	1.3
F	516306	Deck lid, black	0.50
F	516328	Deck lid and collar assembly with screws, black	1.3

CALIFORNIA PROPOSITION 65 WARNING

⚠ WARNING: Cancer and Reproductive Harm.
⚠ AVERTISSEMENT: Peut Causer le Cancer et des Dommages au Système Reproducteur.
⚠ ADVERTENCIA: Cáncer y Daño Reproductivo.
www.p65warnings.ca.gov

See pages 597 for replacement parts.

U-3 SKIMMERS

SWIMQUIP INGROUND SKIMMERS



Ordering Information

Product	Description	Carton Qty.	Carton Wt. (Lbs.)
SKIMMERS FOR CONCRETE POOLS			
08650-1403	U-3 Skimmer White w/ White Lid & Frame, 2 in. NPT with 1-1/2 in. NPT Reducers; Incl. Float and Check Valve, Basket ¹	48	10
08650-3403	U-3 Skimmer Gray w/ Gray Lid & Frame, 2 in. NPT with 1-1/2 in. NPT Reducers; Incl. Float and Check Valve, Basket; NSF ¹	48	10
08650-3403E	U-3 Skimmer Gray, w/ Tan Lid & Frame, 2 in. NPT with 1-1/2 in. NPT Reducers; Incl. Float and Check Valve, Basket; NSF ¹	48	10
08650-2403	U-3 Skimmer White w/ Tan Lid & Frame, 2 in. NPT with 1-1/2 in. NPT Reducers; Incl. Float and Check Valve, Basket ¹	48	10
08650-1404	U-3 Skimmer White w/ White Lid & Frame, 2 in. Slip with 1-1/2 in. Slip Reducers; Incl. Float and Check Valve, Basket ¹	48	10
08650-3404	U-3 Skimmer Gray w/ Gray Lid & Frame, 2 in. Slip with 1-1/2 in. Slip Reducers; Incl. Float and Check Valve, Basket; NSF ¹	48	10
08650-3404E	U-3 Skimmer Gray, w/ Tan Lid & Frame, 2 in. Slip with 1-1/2 in. Slip Reducers; Incl. Float and Check Valve, Basket; NSF ¹	48	10
08650-2404	U-3 Skimmer White w/ Tan Lid & Frame, 2 in. Slip with 1-1/2 in. Slip Reducers; Incl. Float and Check Valve, Basket ¹	48	10
08650-4403	U-3 Skimmer White w/ White Lid & Frame, 2 in. NPT with 1-1/2 in. NPT Reducers; Incl. Basket w/o float	48	9
08650-6403	U-3 Skimmer Gray w/ Gray Lid & Frame, 2 in. NPT with 1-1/2 in. NPT Reducers; Incl. Basket w/o float	48	9
08650-6403E	U-3 Skimmer Gray, w/ Tan Lid & Frame, 2 in. NPT with 1-1/2 in. NPT Reducers; Incl. Basket w/o float	48	9
08650-5403	U-3 Skimmer White w/ Tan Lid & Frame, 2 in. NPT with 1-1/2 in. NPT Reducers; Incl. Basket w/o float	48	9
08650-4404	U-3 Skimmer White w/ White Lid & Frame, 2 in. Slip with 1-1/2 in. Slip Reducers; Incl. Basket w/o float	48	9
08650-6404	U-3 Skimmer Gray w/ Gray Lid & Frame, 2 in. Slip with 1-1/2 in. Slip Reducers; Incl. Basket w/o float	48	9
08650-6404E	U-3 Skimmer Gray w/ Tan Lid & Frame, 2 in. Slip with 1-1/2 in. Slip Reducers; Incl. Basket w/o float	48	9
08650-5404	U-3 Skimmer White w/ Tan Lid & Frame, 2 in. Slip with 1-1/2 in. Slip Reducers; Incl. Basket w/o float	48	9
SKIMMERS FOR VINYL POOLS			
09655-1403	Vinyl Skimmer – White; 2 in. NPT with 1-1/2 in. NPT Reducers	32	10
09655-1404	Vinyl Skimmer – White; 2 in. Slip with 1-1/2 in. Slip Reducers	32	10
09655-2403	Vinyl Skimmer – White w/ Tan Lid & Frame; 2 in. NPT with 1-1/2 in. NPT Reducers	32	10
09655-2404	Vinyl Skimmer – White w/ Tan Lid & Frame; 2 in. Slip with 1-1/2 in. Slip Reducers	32	10
09655-0010	Skimmer Mount Space Block (for vinyl pools only)	32	0.25



¹ NSF certified. Only skimmers with Float Valve assemblies are NSF certified.

Note: All U-3 Skimmers are made with high strength ABS plastic.

CALIFORNIA PROPOSITION 65 WARNING

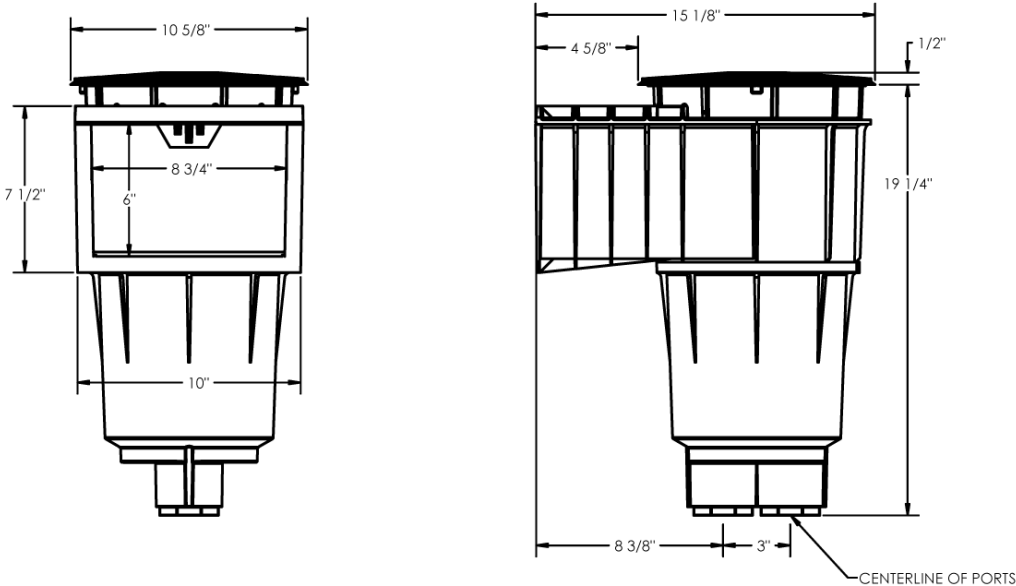
⚠️ **WARNING:** Cancer and Reproductive Harm.
 ⚠️ **AVERTISSEMENT:** Peut Causer le Cancer et des Dommages au Système Reproducteur.
 ⚠️ **ADVERTENCIA:** Cáncer y Daño Reproductivo.

www.p65warnings.ca.gov. P8 2015A

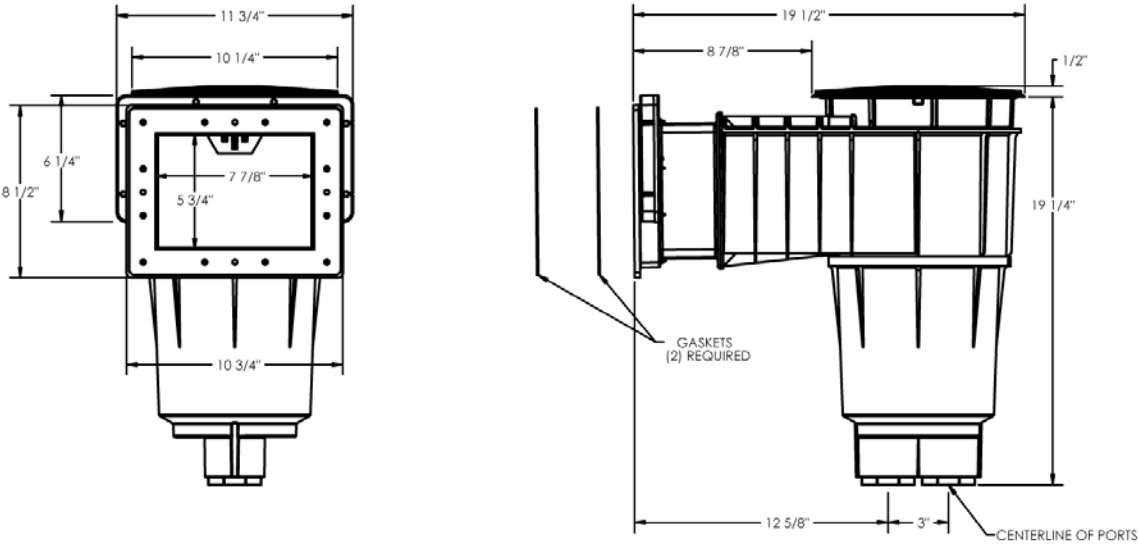
U-3 SKIMMERS (CONT'D)

Dimensions and Performance

U3 Skimmer for concrete



U3 Skimmer for vinyl



See page 598 for replacement parts.

QUIKSKIM VENTURI POWERED COMPLETE SKIMMERS



QuikSkim Black Body,
Black Ring Lid, w/ Foam



Optional Bonding Lug

Featured Highlights

- Natural water pressure creates a strong vacuum to clear more debris
- Uses existing return water to create stronger skimming action
- Optimizes energy usage
- Durable housing is available in multiple colors
- Available for concrete, vinyl and fiberglass pools

Through venturi-powered skimming, natural water pressure from the pool creates a strong vacuum to clear debris, while reducing the need for pump suction. Not only is the process efficient, it also provides effective surface skimming.

Ordering Information

Pentair Item #	With Lug	Product Name & Description
QUIKSKIM COMPLETE WITH PROTECTA FOAM		
505107	504107	QuikSkim White Body, Tan Ring Lid, w/ Foam
505101	504101	QuikSkim White Body, White Ring Lid, w/ Foam
505102	504102	QuikSkim White Body, Gray Ring Lid, w/ Foam
505104	504104	QuikSkim White Body, Black Ring Lid, w/ Foam
505307	504307	QuikSkim Gray Body, Tan Ring Lid, w/ Foam
505301	504301	QuikSkim Gray Body, White Ring Lid, w/ Foam
505302	504302	QuikSkim Gray Body, Gray Ring Lid, w/ Foam
505304	504304	QuikSkim Gray Body, Black Ring Lid, w/ Foam
505207	504007	QuikSkim Black Body, Tan Ring Lid, w/ Foam
505201	504201	QuikSkim Black Body, White Ring Lid, w/ Foam
505202	504202	QuikSkim Black Body, Gray Ring Lid, w/ Foam
505204	504204	QuikSkim Black Body, Black Ring Lid, w/ Foam

CALIFORNIA PROPOSITION 65 WARNING

⚠️ **WARNING:** Cancer and Reproductive Harm.
 ⚠️ **AVERTISSEMENT:** Peut Causer le Cancer et des Dommages au Système Reproducteur.
 ⚠️ **ADVERTENCIA:** Cáncer y Daño Reproductivo.

www.p65warnings.ca.gov
P652013A

QUIKSKIM VENTURI POWERED (CONT'D)

COMPLETE SKIMMERS

Pentair Item #	With Lug	Product Name & Description
QUIKSKIM COMPLETE WITHOUT PROTECTA		
501107	503107	QuickSkim, White Body, Tan Ring Lid
501101	503101	QuickSkim, White Body, White Ring Lid
501102	503102	QuickSkim, White Body, Gray Ring Lid
501104	500828	QuickSkim, White Body, Black Ring Lid
501307	503307	QuickSkim, Gray Body, Tan Ring Lid
501301	503301	QuickSkim, Gray Body, White Ring Lid
501302	500829	QuickSkim, Gray Body, Gray Ring Lid
501304	503304	QuickSkim, Gray Body, Black Ring Lid
501207	500830	QuickSkim, Black Body, Tan Ring Lid
501201	503200	QuickSkim, Black Body, White Ring Lid
500822	503002	QuickSkim, Black Body, Gray Ring Lid
501204	503000	QuickSkim, Black Body, Black Ring Lid
QUIKSKIM NO LID OR RING		
501110	503110	QuikSkim White Body, No Lid or Ring
500823	503310	QuikSkim Gray Body, No Lid or Ring
501210	503210	QuikSkim Black Body, No Lid or Ring
QUIKSKIM COMPLETE WITH PROTECTA NO LID OR RING		
505110	504110	QS w/ Protecta, White Body, No Lid or Ring
505310	504310	QS w/ Protecta, Gray Body, No Lid or Ring
505210	504010	QS w/ Protecta, Black Body, No Lid or Ring
QUIKSKIM VINYL		
501127	–	QuikSkim Vinyl White Body, Tan Ring Lid
501121	–	QuikSkim Vinyl White Body, White Ring Lid
501123	–	QuikSkim Vinyl White Body, Dark Gray Ring Lid
QUIKSKIM FIBERGLASS		
517337	–	QS Fiberglass Dark Gray Body, Tan Ring Lid
517333	–	QS Fiberglass Dark Gray Body, Dark Gray Ring Lid
501231	–	QS Fiberglass Dark Gray Body, White Ring Lid
510137	–	QS Fiberglass White Body, Tan Ring Lid
501131	–	QS Fiberglass White Body, White Ring Lid
501133	–	QS Fiberglass White Body, Dark Gray Ring Lid
518303	–	QS Fiberglass Square Frame Dark Gray
518007	–	QS Fiberglass Square Frame Tan
518101	–	QS Fiberglass Square Frame White

See page 148 for replacement parts.



See page 147 for the QuikSkim Ultra Venturi Powered Complete Skimmers.

REPLACEMENT SKIMMER LIDS WITH AND WITHOUT THERMOMETERS



Skimmer Lids with Thermometers

Skimmer thermometers can reduce misplacement and breakage problems sometimes seen with floating thermometers. The hermetically sealed face is built for strength and weather resistance. The outside temperature will not affect the performance of the thermometer.

Featured Highlights

- Lids are available in three colors to blend with the pool environment
- Available to fit Pentair Aquatic Systems and other popular skimmer brands

CALIFORNIA PROPOSITION 65 WARNING

⚠ **WARNING:** Cancer and Reproductive Harm.
 ⚠ **AVERTISSEMENT:** Peut Causer le Cancer et des Dommages au Système Reproducteur.
 ⚠ **ADVERTENCIA:** Cáncer y Daño Reproductivo.
www.p65warnings.ca.gov

Ordering Information

Product	Description	Carton Qty.	Carton Wt. (Lbs.)
SKIMMER LIDS WITH THERMOMETER			
L1	SwimQuip, Swimrite, Jacuzzi® (New Style), Hayward®, 9-7/8 in., white	1	3/4
L1B	SwimQuip, Swimrite, Jacuzzi (New Style), Hayward, 9-7/8 in., almond	1	3/4
L1G	SwimQuip, Swimrite, Jacuzzi (New Style), Hayward, 9-7/8 in., gray	1	3/4
L2	Baker Hydro®, 9-7/8 in., white	1	3/4
L3	Hayward, Square, 10 in. x 10 in., white	1	3/4
L4B	Pentair Aquatic Systems, 9-3/16 in. round, almond	1	3/4
L4G	Pentair Aquatic Systems, 9-3/16 in. round, gray	1	3/4
L4W	Pentair Aquatic Systems, 9-3/16 in. round, white	1	3/4
L5	Pentair Aquatic Systems, (Old Style), 8-3/8 in., white	1	3/4
L6B	Pentair Aquatic Systems, Bermuda, 9-1/4 in., almond	1	3/4
L6G	Pentair Aquatic Systems, Bermuda, 9-1/4 in., gray	1	3/4
L6W	Pentair Aquatic Systems, Bermuda, 9-1/4 in., white	1	3/4
SKIMMER LIDS WITHOUT THERMOMETER			
L1RW	SwimQuip, Swimrite, Jacuzzi, Hayward (New Style), 9-7/8 in., white	1	3/4
L1RG	SwimQuip, Swimrite, Jacuzzi, Hayward (New Style), 9-7/8 in., gray	1	3/4
L1RB	SwimQuip, Swimrite, Jacuzzi, Hayward (New Style), 9-7/8 in., almond	1	3/4
L2R	Baker, Hydro, 9-7/8 in., white	1	3/4
L4RW	American Products, 9-3/16 in. round, white	1	3/4
L5R	Pentair Aquatic Systems (Old Style), 8-3/8 in., white	1	3/4

Jacuzzi® is a registered trademark of Jacuzzi, Inc.; Hayward® is a registered trademark of Hayward Industries, Inc.; Baker Hydro® is a registered trademark of Waterco USA DBA Baker Hydro Corp.

GUTTER DRAINS

DRAINS AND FITTINGS

Featured Highlights

Pentair gutter drains come with an extra deep socket connection

CALIFORNIA PROPOSITION 65 WARNING
 ⚠️ **WARNING:** Cancer and Reproductive Harm.
 ⚠️ **AVERTISSEMENT:** Peut Causer le Cancer et des Dommages au Système Reproducteur.
 ⚠️ **ADVERTENCIA:** Cáncer y Daño Reproductivo.
www.p65warnings.ca.gov PK320174



540064



542038

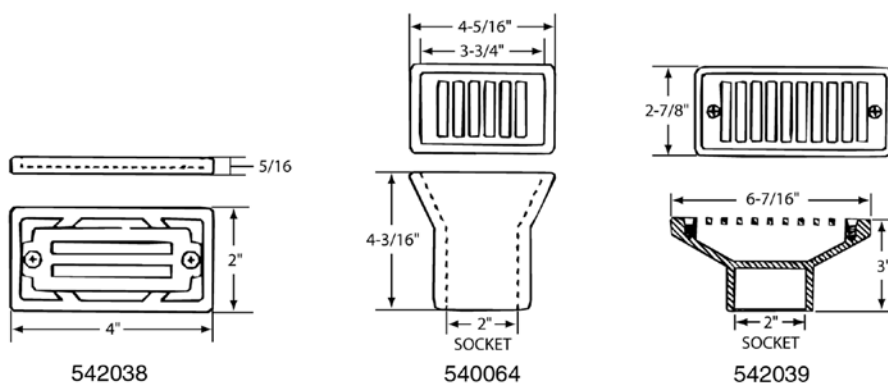


542039

Ordering Information

Product	Description	Flow Rate (GPM)	Open Area (Sq. In.)	Carton Qty.
GUTTER DRAINS				
540063	2 in. x 4 in. gutter drain & grate, white	14.5 @ 1-1/2 ft./sec.	3.09	50
540064	2 in. x 4 in. gutter drain & grate, black	14.5 @ 1-1/2 ft./sec.	3.09	50
540065	2 in. x 4 in. gutter drain & grate, dark gray	14.5 @ 1-1/2 ft./sec.	3.09	50
542038	2 in. x 4 in. 3-bar frame & grate, white	8.0 @ 1-1/2 ft./sec.	1.71	500
542039	2-1/2 in. x 6 in. gutter drain & grate, white	22.5 @ 1-1/2 ft./sec.	4.81	24
542146	2 in. x 4 in. grate (hi-style), white	14.5 @ 1-1/2 ft./sec.	3.09	500
552511	2 in. x 4 in. grate (fits 540063, 542037)	14.5 @ 1-1/2 ft./sec.	3.09	500

Dimensions and Performance



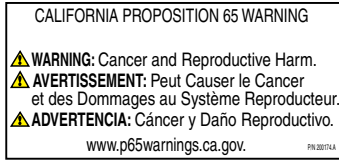
STARGUARD® MAIN DRAINS

MAIN DRAIN FRAME AND GRATE

StarGuard Main Drains comply with provisions of the ANSI/APSP/ICC-16 2017 standard and the Virginia Graeme Baker Pool and Spa Safety Act. High quality StarGuard main drains are available in white, black, gray, and dark gray as well as a variety of configurations to fit most residential inground pool or spa installations. StarGuard main drains have 15.35 square inches of open area for water flow and allow flow rates up to 72 GPM at 1-1/2 ft./sec.

Featured Highlights

- Available in multiple colors
- Compliant with the Virginia Graeme Baker Act



Ordering Information

Product	Description	Flow Rate Floor (GPM)	Flow Rate Wall (GPM)	Open Area (Sq. In.)
8 IN. STARGUARD COVER WITH LONG RING				
500108	8 in. StarGuard cover w/ long ring (single), white	136	88	15.35
500100	8 in. StarGuard cover w/ long ring (single), black	136	88	15.35
500101	8 in. StarGuard cover w/ long ring (single), dark gray	136	88	15.35
500102	8 in. StarGuard cover w/ long ring (single), gray	136	88	15.35
500140	8 in. StarGuard cover w/ long ring (2 pack), white	136	88	15.35
500141	8 in. StarGuard cover w/ long ring (2 pack), black	136	88	15.35
500142	8 in. StarGuard cover w/ long ring (2 pack), dark gray	136	88	15.35
500143	8 in. StarGuard cover w/ long ring (2 pack), gray	136	88	15.35
8 IN. STARGUARD COVER WITH SHORT RING AND COVER				
500103	8 in. StarGuard cover w/ short ring (single), white	136	88	15.35
500104	8 in. StarGuard cover w/ short ring (single), black	136	88	15.35
500105	8 in. StarGuard cover w/ short ring (single), dark gray	136	88	15.35
500106	8 in. StarGuard cover w/ short ring (single), gray	136	88	15.35
500144	8 in. StarGuard cover w/ short ring (2 pack), white	136	88	15.35
500145	8 in. StarGuard cover w/ short ring (2 pack), black	136	88	15.35
500146	8 in. StarGuard cover w/ short ring (2 pack), dark gray	136	88	15.35
500147	8 in. StarGuard cover w/ short ring (2 pack), gray	136	88	15.35
8 IN. STARGUARD DRAIN WITH 2 IN. SIDE AND 1-1/2 IN. BOTTOM PORTS ABS SUMP WITH RING AND COVER				
500110	8 in. StarGuard drain w/ 2 in. side & 1-1/2 in. bottom ports ABS sump w/ ring & cover (2 pack), white	136	88	15.35
500111	8 in. StarGuard drain w/ 2 in. side & 1-1/2 in. bottom ports ABS sump w/ ring & cover (2 pack), black	136	88	15.35
500113	8 in. StarGuard drain w/ 2 in. side & 1-1/2 in. bottom ports ABS sump w/ ring & cover (2 pack), dark gray	136	88	15.35
500114	8 in. StarGuard drain w/ 2 in. side & 1-1/2 in. bottom ports ABS sump w/ ring & cover (2 pack), gray	136	88	15.35

STARGUARD® MAIN DRAINS (CONT'D)

Product	Description	Flow Rate Floor (GPM)	Flow Rate Wall (GPM)	Open Area (Sq. In.)
8 IN. STARGUARD DRAIN WITH 2 IN. SIDE PORT ABS SUMP WITH RING AND COVER				
500115	8 in. StarGuard drain w/ 2 in. side port ABS sump w/ ring & cover (2 pack), white	136	88	15.35
500116	8 in. StarGuard drain w/ 2 in. side port ABS sump w/ ring & cover (2 pack), black	136	88	15.35
500117	8 in. StarGuard drain w/ 2 in. side port ABS sump w/ ring & cover (2 pack), dark gray	136	88	15.35
500118	8 in. StarGuard drain w/ 2 in. side port ABS sump w/ ring & cover (2 pack), gray	136	88	15.35
8 IN. STARGUARD DRAIN WITH DUAL 2 IN. BOTTOM PORTS ABS SUMP AND COVER				
500120	8 in. StarGuard drain w/ dual 2 in. bottom ports ABS sump & cover (2 pack), white	136	88	15.35
500121	8 in. StarGuard drain w/ dual 2 in. bottom ports ABS sump & cover (2 pack), black	136	88	15.35
500122	8 in. StarGuard drain w/ dual 2 in. bottom ports ABS sump & cover (2 pack), dark gray	136	88	15.35
500123	8 in. StarGuard drain w/ dual 2 in. bottom ports ABS sump & cover (2 pack), gray	136	88	15.35
8 IN. STARGUARD DRAIN WITH 2 IN. SIDE AND 1-1/2 IN. BOTTOM VINYL LINER ABS SUMP				
500130	8 in. StarGuard drain w/ 2 in. side & 1-1/2 in. bottom vinyl liner ABS sump (2 pack), white	136	88	15.35



500108
8 in. StarGuard cover
w/ long ring



500103
8 in. StarGuard cover
w/ short ring



500110
8 in. StarGuard drain w/ 2 in.
side & 1-1/2 in. bottom ports ABS
sump w/ ring & cover



500115
8 in. StarGuard drain
w/ 2 in. side port ABS
sump w/ ring & cover



500120
8 in. StarGuard drain w/
dual 2 in. bottom ports
ABS sump & cover



500130
8 in. StarGuard drain w/ 2
in. side & 1-1/2 in. bottom
vinyl liner ABS sump

See page 602 for replacement parts.

AVSC™ HEAVY DEBRIS REMOVAL DRAIN

COMPLETE DRAINS



AVSC Single Standard Top Channel Drain White



AVSC Single Suction Pebble Top Drain White



AVSC Vinyl Single Suction White

Featured Highlights

- Available in single and dual-inlet models
- Easy installation, including construction cover
- For pools, spas, and water features
- Available with a pebble top lid



AVSC Dual Standard Top Channel Drain White



AVSC Dual Suction Pebble Top Drain White



AVSC Vinyl Dual Suction White



AVSC Vinyl Dual with Hydro White

The AVSC drain is a heavy debris removal drain in an unblockable package. The AVSC drain conforms to all current ANSI, NSF and VGB anti-entrapment standards, and boasts one of the highest flow rates of debris removal drains in the U.S. to date.

Available in a both dual or single port models (accepting both 2.5" and 3" pipe) the AVSC comes in a wide variety of colors. In addition, an optional fillable lid is available to allow the drain to seamlessly blend into the surrounding finish of the pool.

Ordering Information

Pentair Item #	Product Name & Description
AVSC SINGLE SUCTION STANDARD TOP DRAIN	
285001	AVSC Single Standard Top Channel Drain White
285003	AVSC Single Standard Top Channel Drain Dark Gray
285004	AVSC Single Standard Top Channel Drain Black
285006	AVSC Single Standard Top Channel Drain Dark Blue
285005	AVSC Single Standard Top Channel Drain Euro Blue
285008	AVSC Single Standard Top Channel Drain Gold
285002	AVSC Single Standard Top Channel Drain Light Gray

CALIFORNIA PROPOSITION 65 WARNING

⚠️ **WARNING:** Cancer and Reproductive Harm.
 ⚠️ **AVERTISSEMENT:** Peut Causer le Cancer et des Dommages au Système Reproducteur.
 ⚠️ **ADVERTENCIA:** Cáncer y Daño Reproductivo.

www.p65warnings.ca.gov PA62017A

AVSC™ HEAVY DEBRIS REMOVAL DRAIN (CONT'D)

COMPLETE DRAINS

Pentair Item #	Product Name & Description
AVSC DUAL SUCTION STANDARD TOP DRAIN	
286101	AVSC Dual Standard Top Channel Drain White
286123	AVSC Dual Standard Top Channel Drain Dark Gray
286114	AVSC Dual Standard Top Channel Drain Black
286136	AVSC Dual Standard Top Channel Drain Dark Blue
286125	AVSC Dual Standard Top Channel Drain Euro Blue
290208	AVSC Dual Standard Top Channel Drain Gold
286102	AVSC Dual Standard Top Channel Drain Light Gray
AVSC SINGLE SUCTION PEBBLE TOP DRAIN	
288101	AVSC Single Pebble Top Channel Drain White
288103	AVSC Single Pebble Top Channel Drain Dark Gray
288104	AVSC Single Pebble Top Channel Drain Black
288106	AVSC Single Pebble Top Channel Drain Dark Blue
298235	AVSC Single Pebble Top Channel Drain Euro Blue
288108	AVSC Single Pebble Top Channel Drain Gold
288102	AVSC Single Pebble Top Channel Drain Light Gray
AVSC DUAL SUCTION PEBBLE TOP DRAIN	
289101	AVSC Dual Pebble Top Channel Drain White
289103	AVSC Dual Pebble Top Channel Drain Dark Gray
289104	AVSC Dual Pebble Top Channel Drain Black
289106	AVSC Dual Pebble Top Channel Drain Dark Blue
296205	AVSC Dual Pebble Top Channel Drain Euro Blue
289108	AVSC Dual Pebble Top Channel Drain Gold
289102	AVSC Dual Pebble Top Channel Drain Light Gray
VINYL AVSC SINGLE DRAIN	
284001	AVSC Vinyl Single White
284306	AVSC Vinyl Single Dark Blue
284002	AVSC Vinyl Single Light Gray
VINYL AVSC DUAL DRAIN	
284161	AVSC Vinyl Dual White
284006	AVSC Vinyl Dual Dark Blue
284202	AVSC Vinyl Dual Light Gray
VINYL AVSC SINGLE DRAIN WITH HYDRO STAT	
284071	AVSC Vinyl Single with Hydro White
284076	AVSC Vinyl Single with Hydro Dark Blue
284272	AVSC Vinyl Single with Hydro Light Gray
VINYL AVSC DUAL DRAIN WITH HYDRO STAT	
284171	AVSC Vinyl Dual with Hydro White
294076	AVSC Vinyl Dual with Hydro Dark Blue
284072	AVSC Vinyl Dual with Hydro Light Gray

See pages 139–140 for replacement parts.

POOL SPECIALTY FITTINGS

Pentair plumbing unions are available in a wide variety of configurations. Specialty fittings such as the snap lock wall fitting, anchor cup and rope hooks and the molded recessed steps are designed for ease of installation. Deck valve lid and ring allow for access to under deck valves and fittings. These fittings are manufactured to high standards for Pentair.

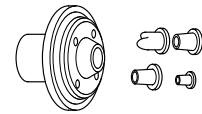
CALIFORNIA PROPOSITION 65 WARNING
 ⚠️ **WARNING:** Cancer and Reproductive Harm.
 ⚠️ **AVERTISSEMENT:** Peut Causer le Cancer et des Dommages au Système Reproducteur.
 ⚠️ **ADVERTENCIA:** Cáncer y Daño Reproductivo.
 www.p65warnings.ca.gov. 79.202114

Ordering Information

Product	Description	Carton Qty.	Carton Wt. (Lbs.)
ENERGY EFFICIENT FITTINGS			
178741	Sweep Elbow, PVC, White, 2-1/2 in. Socket, 3 in. Spigot. W=75	1	0.92
COMPLETE INSIDER WALL INLET FITTINGS FOR CONCRETE POOLS			
08428-0000	1-1/4 in. Slip, 3/16 in., 1/2 in., 3/4 in., 90° Nozzles, white	1	0.50
08429-0000	1-1/2 in. Slip, 3/16 in., 1/2 in., 3/4 in., 90° Nozzles, white	1	0.50
08428-0100	1-1/4 in. Slip, 3/16 in., 1/2 in., 3/4 in., 90° Nozzles, dark gray	1	0.50
08429-0100	1-1/2 in. Slip, 3/16 in., 1/2 in., 3/4 in., 90° Nozzles, dark gray	1	0.50
EYEBALL INSIDER INLET FITTINGS			
08434-0000	1-1/2 in. Slip, 1/2 in., 3/4 in., 90° Nozzles, white	1	0.50
08434-0100	1-1/2 in. Slip, 1/2 in., 3/4 in., 90° Nozzles, dark gray	1	0.50
VINYL POOL FITTINGS			
08430-0050	1-1/2 in. NPT body PVC, white	1	1.
08430-0000	1-1/2 in. Slip body PVC, white	1	1.
HYDROSTATIC RELIEF VALVE			
07017-0151	1-1/2 in. NPT hydrostatic valve		0.2
07017-0158	2 in. NPT hydrostatic valve		0.2
ALL PURPOSE PLUGS			
195830	2 in. plug with O-ring		100
552612	1-1/2 in. flush plug, white		100
552614	1-1/2 in. flush plug, black		100
552622	1-1/2 in. plug with O-ring, white		100
552624	1-1/2 in. plug with O-ring, black		100
SPECIAL EYEBALL FITTINGS			
86204200	Reducer adapter, 1-1/2 in. o.d. x 1 in. slip, 1 in., white	50	10
86204211	Reducer adapter, 1-1/2 in. o.d. x 1 in. slip, 1 in., black	50	10
86204215	Reducer adapter, 1-1/2 in. o.d. x 1 in. slip, 1 in., dark gray	50	10
JETS FOR CONCRETE INSTALLATION			
46540000	Venturi Jet, 5/16 in. nozzle, 1/2 in. socket air x 1-1/2 in. socket water, 1-1/2 in. socket return	40	20
46540100	Venturi Jet, 1/2 in. nozzle	40	20



Sweep Elbow, PVC



Wall Inlet Fittings



Eyeball Inlet Fittings



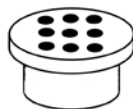
Hydrostatic Relief Valve



2 in. Plug with O-Ring



46540000



46550000



86204200



1-1/2 in. Plug with O-Ring

POOL SPECIALTY FITTINGS (CONT'D)



Vacuum Plug



86201500



Rope Hook



Valve Lid & Ring
ABS



542044



542142

Ordering Information

Product	Description	Carton Qty.	Carton Wt. (Lbs.)
FLOOR INLET FITTINGS			
08417-0000	2 in. Slip with 1-1/2 in. slip bushing, white ³	1	1
08417-0100	2 in. Slip with 1-1/2 in. slip bushing, gray ³	1	1
08417-0200	2 in. Slip with 1-1/2 in. slip bushing, black ³	1	1
SPECIAL FITTINGS			
46550000	Aerator Cap, 1-1/2 in. for air channel, white	50	13
46550015	Aerator Cap, 1-1/2 in. for air channel, dark gray	50	13
46550065	Aerator Cap, 1-1/2 in. for air channel, gray	50	13
510166	Hose adapter, straight, white ⁴	50	3
86201500	Aerator inlet (used as a return spray nozzle)	10	1
K12500	Snap Lock Kit Fitting	1	0.10
GW9530	Vac-port fitting, NSF certified	1	0.10
86200500	Vacuum or Winterizing plug with Oring	1	0.50
VALVE COVERS			
86300100	Valve Lid & Ring, ABS, 6 in., white	1	1
86300130	Valve Lid & Ring, ABS, 6 in., beige	1	1
GRATE INSERTS			
540056	Grate insert, 1-1/2 in. MIP, white ²	50	2
540057	Grate insert, 1-1/2 in. MIP, black ²	50	2
ROPE ANCHORS & HOOKS			
542044	Anchor Cup with SS bar, white ¹	100	24
542045	Anchor Cup with SS bar, black ¹	100	24
86201200	Anchor Cup, ABS, white	100	16
86201215	Anchor Cup, ABS dark gray	100	16
86201300	Anchor Cup, ABS with SS cross bar, white ¹	100	16
86201400	Rope Hook, 3/4 in., ABS	150	16
542142	Rope Hook for 3/4 in. rope with two SS screws	200	22
STEPS			
82400700	ABS Steps, set of three, white	1	3
82400800	ABS Steps, set of three, gray	1	3

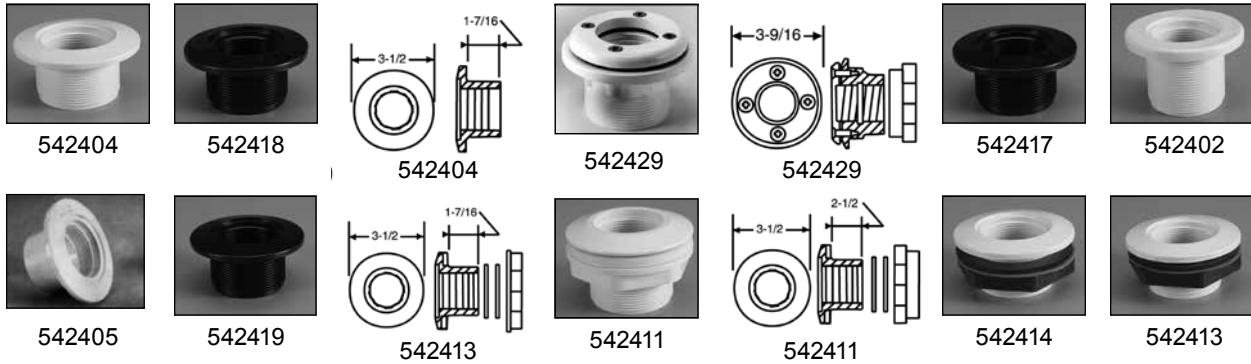
¹ Not for use with saltwater pools.

² Not for use as a suction fitting.

³ Use only as a floor inlet fitting.

⁴ Hose to NPT fittings.

RETURN FITTINGS FOR SWIMMING POOLS



Ordering Information

Product	Description	Carton Qty.	Carton Wt. (Lbs.)
GUNITE/CONCRETE			
542402	Long body, 1-1/2 in. threaded x 1-1/2 in. socket, white	50	9
542417	Long body, 1-1/2 in. threaded x 1-1/2 in. socket, black	50	9
542404	Standard body, 1-1/2 in. threaded x 1-1/2 in. threaded, white	50	9
542405	Standard body, 1-1/2 in. threaded x 1-1/2 in. socket, white	50	9
542418	Standard body, 1-1/2 in. threaded x 1-1/2 in. threaded, black	50	9
542419	Standard body, 1-1/2 in. threaded x 1-1/2 in. socket, black	50	9
FIBERGLASS POOLS & SPAS ²			
542411	Long body, 1-1/2 in. threaded x 1-1/2 in. socket, spacer/locknut, white	50	9
542413	Standard body, 1-1/2 in. threaded x 1-1/2 in. threaded, spacer/locknut, white	50	9
542414	Standard body, 1-1/2 in. threaded x 1-1/2 in. socket, comb. spacer/locknut, white	50	9
CONCRETE-WALLED VINYL LINER POOLS ¹			
542429	Standard body, 1-1/2 in. threaded x 1-1/2 in. socket, white	50	9
VINYL LINER FITTINGS			
86205100	1-1/2 in. FIPT with screws, vinyl liner, white	50	25
86205101	1-1/2 in. FIPT with screws, vinyl liner, black	50	25
86205103	1-1/2 in. FIPT with screws, vinyl liner, dark gray	50	25
545100	Face plate for vinyl liner return fitting, white	50	10
545101	Face plate for vinyl liner return fitting, black	50	10
545103	Face plate for vinyl liner return fitting, dark gray	50	10
INSIDER FITTINGS FOR GUNITE/CONCRETE POOLS			
542423	2 in. slip body, for schedule 40 pvc pipe, white	50	7
542424	2 in. slip body, for schedule 40 pvc pipe, black	50	7

¹ Includes face plate, screws & gaskets.

² Includes back gaskets.

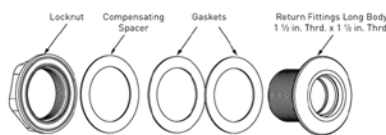


86205100

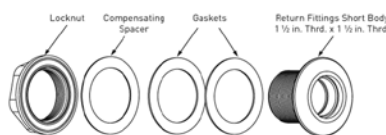
CALIFORNIA PROPOSITION 65 WARNING

⚠ **WARNING:** Cancer and Reproductive Harm.
 ⚠ **AVERTISSEMENT:** Peut Causer le Cancer et des Dommages au Système Reproducteur.
 ⚠ **ADVERTENCIA:** Cáncer y Daño Reproductivo.

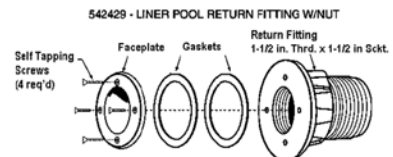
www.p65warnings.ca.gov. FR 200714



542411



542413



542429

WALL FITTINGS - INLETS



Directional eyeball inlets with 1-1/2 in. MIP thread to fit standard female adapter or wall fitting



Insider directional inlet wall fittings with 1/2, 3/4, 1 in. and slotted openings



Economy Insider 542000

CALIFORNIA PROPOSITION 65 WARNING
 ⚠️ **WARNING:** Cancer and Reproductive Harm.
 ⚠️ **AVERTISSEMENT:** Peut Causer le Cancer et des Dommages au Système Reproducteur.
 ⚠️ **ADVERTENCIA:** Cáncer y Daño Reproductivo.
www.p65warnings.ca.gov PH201714

Ordering Information

Product	Description	Carton Qty.
1-1/2 INCH THREADED DIRECTIONAL EYEBALLS		
542087	Ultimate eyeball 1-1/2 in. threaded with snap-in disks, 1/2 in., 3/4 in., 1 in., white	50
540000	Slotted opening, white	50
540001	Slotted opening, black	50
540002	Slotted opening, dark gray	50
540007	3/8 in. opening, white	50
540008	3/8 in. opening, black	50
540009	3/8 in. opening, dark gray	50
540014	1/2 in. opening, white	50
540015	1/2 in. opening, black	50
540016	1/2 in. opening, dark gray	50
540021Z	3/4 in. opening, white	50
540022	3/4 in. opening, black	50
540023	3/4 in. opening, dark gray	50
540028	1 in. opening, white	50
540029	1 in. opening, black	50
540030	1 in. opening, dark gray	50
ECONOMY INSIDER		
542000	1 in. slip inlet with snap-in 3/8 in., 3/4 in. and pressure test disks, white	300
542001	1 in. slip inlet with snap-in 3/8 in., 3/4 in. and pressure test disks, black	300
542002	1-1/2 in. slip inlet with snap-in 1/2 in., 3/4 in, 1 in., and pressure test disks, white	200
542003	1-1/2 in. slip inlet with snap-in 1/2 in., 3/4 in, 1 in., and pressure test disks, black	200
INSIDER DIRECTIONAL FITTINGS		
540035	1-1/2 in. slip inlet, 1/2 in., white	50
540036	1-1/2 in. slip inlet, 1/2 in., black	50
540037	1-1/2 in. slip inlet, 1/2 in., dark gray	50
540042	1-1/2 in. slip inlet, 3/4 in., white	50
540043	1-1/2 in. slip inlet, 3/4 in., black	50
540044	1-1/2 in. slip inlet, 3/4 in., dark gray	50
540049	1-1/2 in. slip inlet, 1 in., white	50
540050	1-1/2 in. slip inlet, 1 in., black	50
540051	1-1/2 in. slip inlet, 1 in., dark gray	50
540053	1-1/2 in. slip inlet, slot 1 in., white	50

AUTOMATIC WATER FILLERS

WATER LEVEL CONTROL



Automatic Water Fillers

CALIFORNIA PROPOSITION 65 WARNING
 ⚠️ **WARNING:** Cancer and Reproductive Harm.
 ⚠️ **AVERTISSEMENT:** Peut Causer le Cancer et des Dommages au Système Reproducteur.
 ⚠️ **ADVERTENCIA:** Cáncer y Daño Reproductivo.
www.p65warnings.ca.gov PA320714

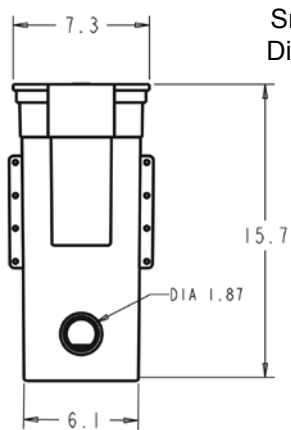
Featured Highlights

- Available for standard inground and vanishing edge pools
- Helps prevent equipment damage due to low water levels
- No electronic controls
- Aids in the prevention of water waste and landscape damage due to overfilling pool
- Available with white, black, gray, and almond colored lids

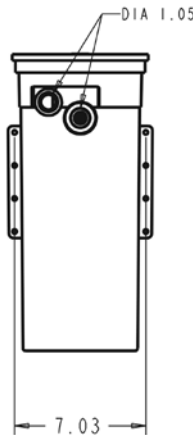
Ordering Information

Product	Description
AUTOMATIC WATER FILLERS	
T40BBE	AutoFill w/ side mounted float valve, almond
T40BBK	AutoFill w/ side mounted float valve, black
T40BG	AutoFill w/ side mounted float valve, gray
T40BDG	AutoFill w/side mounted float valve, dark gray
T40BW	AutoFill w/ side mounted float valve, white
T40FB	AutoFill w/ Fluidmaster® valve, almond
T40FBK	AutoFill w/ Fluidmaster valve, black
T40FG	AutoFill w/ Fluidmaster valve, gray

Product	Description
T40FW	AutoFill w/ Fluidmaster valve, white
T40FDG	AutoFill 2/Fluidmaster valve, dark gray
T40FNB	AutoFill Vanishing Edge w/ Fluidmaster valve, almond
T40FNBK	AutoFill Vanishing Edge w/ Fluidmaster valve, black
T40FNG	AutoFill Vanishing Edge w/ Fluidmaster valve, gray
T40FNDG	AutoFill Vanishing Edge w/ Fluidmaster valve, dark gray
T40FNW	AutoFill Vanishing Edge w/ Fluidmaster valve, white



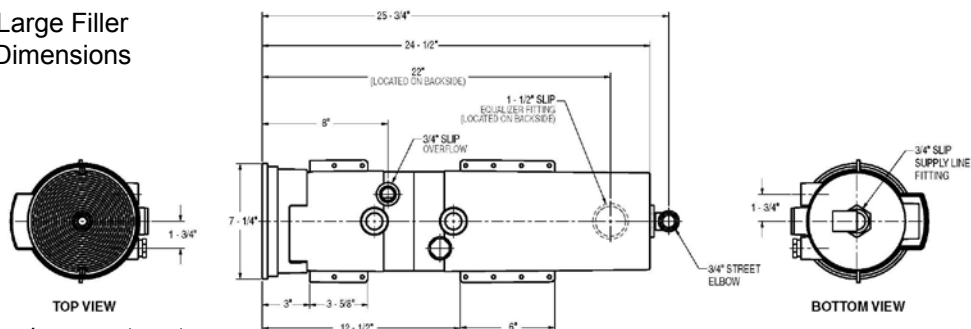
Small Filler Dimensions



Fluidmaster Valve



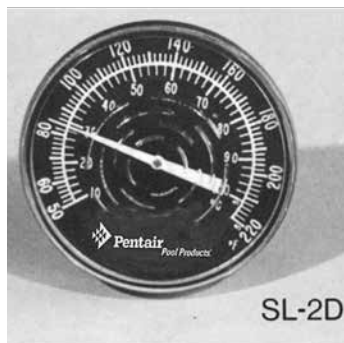
Large Filler Dimensions



See page 604 for replacement parts.

INLINE THERMOMETERS FOR POOL AND SOLAR APPLICATIONS

CALIFORNIA PROPOSITION 65 WARNING
 ⚠️ **WARNING:** Cancer and Reproductive Harm.
 ⚠️ **AVERTISSEMENT:** Peut Causer le Cancer et des Dommages au Système Reproducteur.
 ⚠️ **ADVERTENCIA:** Cáncer y Daño Reproductivo.
 www.p65warnings.ca.gov. PM 202514



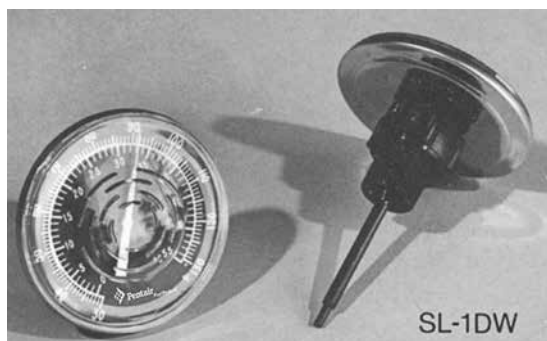
SL-2D



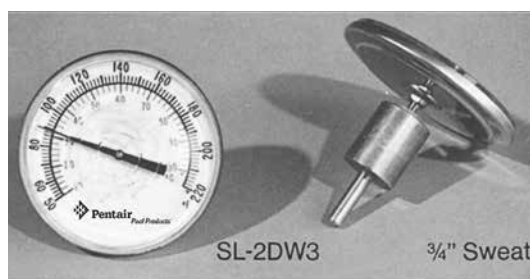
SL-2D

Ordering Information

Product	Description	Carton Qty.
INLINE THERMOMETER WELLS		
SWB	1/2 in. Brass well	1
SWB1	3/4 in. Brass well	1
SWN	Nylon well	1
INLINE THERMOMETER for Solar Applications		
SL2D	50/220°F. w/ 1/2 in. NPT (threaded)	1
SL2DW	50/220°F. w/ 1/2 in. Brass well	1
INLINE THERMOMETERS for Pool Applications		
SL1DW	30/130°F. w/ Nylon well	1

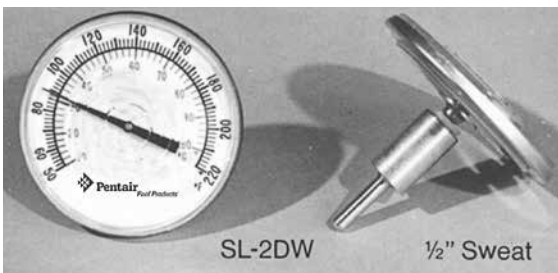


SL-1DW



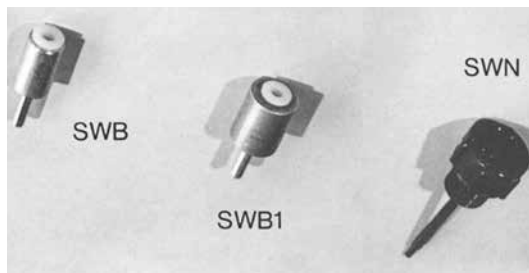
SL-2DW3

3/4" Sweat



SL-2DW

1/2" Sweat



SWB

SWB1

SWN

FLOWMETERS

FOR COMMERCIAL AND INDUSTRIAL LIQUID APPLICATIONS



Flowmeter

Featured Highlights

- Stainless steel guide and floats
- Easy installation and maintenance; no tools required, tightens by hand
- Textured surface on back of meter for improved readability
- Easy to read GPM and LPM Scales
- Brass threaded knurled nuts for durability

CALIFORNIA PROPOSITION 65 WARNING

⚠ **WARNING:** Cancer and Reproductive Harm.
 ⚠ **AVERTISSEMENT:** Peut Causer le Cancer et des Dommages au Système Reproducteur.
 ⚠ **ADVERTENCIA:** Cáncer y Daño Reproductivo.
www.p65warnings.ca.gov

Ordering Information

Product	GPM	Description	Carton Qty.	Carton Wt. (Lbs.)
SMALL BODY FLOWMETERS				
LDF359N	2-16	3/4 in., Nylon threaded end	1	3/4
LDF359T	2-16	1 in., Brass threaded end	1	1-1/4
LARGE BODY FLOWMETERS				
LDF451B	8-75	1 in., Brass sweat end	1	1-1/4
LDF461T	8-75	1-1/2 in., Brass threaded end	1	1-1/2
LDF452B	15-100	1 in., Brass sweat end	1	1-1/4



PENTAIR GENUINE REPLACEMENT PARTS

Product Catalog 2024

PENTAIR GENUINE REPLACEMENT PARTS

REFERENCE GUIDE

Pentair carries an extensive set of parts and kits that will last longer, perform better and save money over the course of their working life. When you look at all of the options on the market, how do you know which one to choose?

PENTAIR GENUINE

The same as the component installed in a product when it was first manufactured. These parts have the company logo and are the premium option.

VS.

AFTERMARKET

Replacement parts made by a third-party manufacturer. These are the generic options.

Here's the Pentair Genuine replacement parts difference:

QUALITY AND DEPENDABILITY

You'll always get a part you can depend on with a Pentair Genuine replacement part. We invest heavily in research and development, while maintaining stringent quality control standards. Aftermarket parts are held to different standards and may be constructed of lower-quality materials that will likely not last as long as Pentair Genuine counterparts.

FIT

Have confidence in the proper fit when using Pentair Genuine replacement parts. Many aftermarket parts are designed to fit on multiple models of products, resulting in a poor fit and a struggle to install them.

PERFORMANCE AND SAFETY

Pentair Genuine replacement parts provide the high performance operation that you demand and your customers expect. Aftermarket parts may not perform to system demands, leading to equipment failure.

WARRANTY

Installing an aftermarket part will void the existing warranty coverage for the product needing service.

Also, aftermarket parts may not have a warranty at all.

After taking everything into account, choosing Pentair Genuine replacement parts makes service easier, safeguards your business and improves customers' experiences in their pool or spa.


MONEY AND TIME


The higher quality of Pentair Genuine replacement parts saves you money through longer component life, less administrative and parts interpretation time, a near-zero rejection rate and no cross-reference errors.


Parts choice is also much easier with Pentair Genuine replacement parts, you won't have to spend time assessing the quality of different brands and comparing prices.


Receive rewards on your Pentair Genuine replacement parts purchases as a member of the Pentair Partners Incentive Program. Go to pentairpartners.com for program details or to sign up.

SPECIAL VALUE—PENTAIR GENUINE REPLACEMENT PARTS


FILTER REPLACEMENT PARTS	PART #	DESCRIPTION
	179133	Clean & Clear® Plus Filter Model 240 Cartridge Replacement (4/pk)
	179134	Clean & Clear Plus Filter Model 320 Cartridge Replacement (4/pk)
	179135	Clean & Clear Plus Filter Model 420 Cartridge Replacement (4/pk)
	179136	Clean & Clear Plus Filter Model 520 Cartridge Replacement (4/pk)

ELEMENT REPLACEMENT PACK	PART #	DESCRIPTION
	198080	FNS® PLUS Filter 24 Element Only Replacement Pack
	198081	FNS PLUS Filter 36 Element Only Replacement Pack
	198082	FNS PLUS Filter 48 Element Only Replacement Pack
	198083	FNS PLUS Filter 60 Element Only Replacement Pack

MEDIA FILTER, INNER & OUTER REPLACEMENT CARTRIDGE PACKS	PART #	DESCRIPTION
	170145	System 3® Mod Media Filter S7M120 Inner & Outer Replacement Cartridge Pack
	170146	System 3 Mod Media Filter S7M400 Inner & Outer Replacement Cartridge Pack
	170147	System 3 Mod Media Filter S8M150 Inner & Outer Replacement Cartridge Pack
	170148	System 3 Mod Media Filter S8M500 Inner & Outer Replacement Cartridge Pack

AUTOMATIC POOL CLEANER REPLACEMENT PARTS	PART #	DESCRIPTION
	360516	Tune Up Pack For Rebel® Cleaner Model 360275
	360517	Tune Up Pack For Rebel Model 360473
	360534	Tune Up Pack For Warrior® Cleaner Model 360302
	360535	Tune Up Pack For Warrior Model 360474

SPECIAL VALUE—PENTAIR GENUINE REPLACEMENT PARTS

PUMP SEAL REPLACEMENT QUICK KIT	PART #	DESCRIPTION
	356196	Max-E-Pro®/IntelliPro® Pump Seal Replacement Quick Kit <i>Compatible with Max-E-Pro, IntelliPro, IntelliPro VS 3050, IntelliPro VS, IntelliPro VSF, IntelliPro 2 VST</i>
	356197	SuperFlo®/SuperMax® Pump Seal Replacement Quick Kit <i>Compatible with SuperFlo, SuperFlo VS (Before June 9, 2019), SuperMax, SuperMax VS (Before June 16, 2019)</i>
	356198	WhisperFlo®/IntelliFlo® Pump Seal Replacement Quick Kit <i>Compatible with WhisperFlo, IntelliFlo, IntelliFlo VS 3050, IntelliFlo VS, IntelliFlo VF, IntelliFlo VSF, IntelliFlo VST, IntelliFlo 2 VST, IntelliPro VS+SVRS, IntelliFlo VS+SVRS, IntelliFlo i1, IntelliFlo i2</i>
	356199	Challenger® Pump Seal Replacement Quick Kit <i>Compatible with Challenger High Flow, Challenger High Pressure</i>
	356952	WhisperFloXF®/IntelliFloXF Pump Seal Replacement Quick Kit <i>Compatible with IntelliFloXF VSF, IntelliFloXF VS, WhisperFloXF, IntelliFloXF VSF, IntelliFloXF VS, Max-E-ProXF, WhisperFloXF VS, Max-E-ProXF VS</i>
	356954	Dynamo® Pump Seal Replacement Quick Kit
	356956	Optiflo® Pump Seal Replacement Quick Kit
	356958	SuperFlo/SuperMax VS Pump Seal Replacement Quick Kit <i>Compatible with SuperFlo VS (After June 9, 2019), SuperMax VS (After June 16, 2019)</i>
	356960	EQ Series® Pump Wet End Seal Replacement Quick Kit
	356962	EQ Series Pump Strainer Pot Seal Replacement Quick Kit
	356950	C Series® Pump Seal Replacement Quick Kit

PRO SERVICE PACKAGES	PART #	DESCRIPTION
	461100	Pro Service Package - Heater Master Package of Water & Electrical System Parts. Includes many common repair parts for Pentair & Sta-Rite heaters. <i>Compatible with Pentair MasterTemp® High Performance Heaters, Sta-Rite Max-E-Therm® High Performance Heaters, Models 175/200/250/300/333/400.</i>
	461101	Pro Service Package - Heaters Electrical System Parts. Includes common Electrical System repair parts for Pentair & Sta-Rite heaters.
	461102	Pro Service Package - Heaters Water System Parts. Includes common Water System repair parts for Pentair & Sta-Rite heaters. <i>Not compatible with 125,000 BTU heater</i>

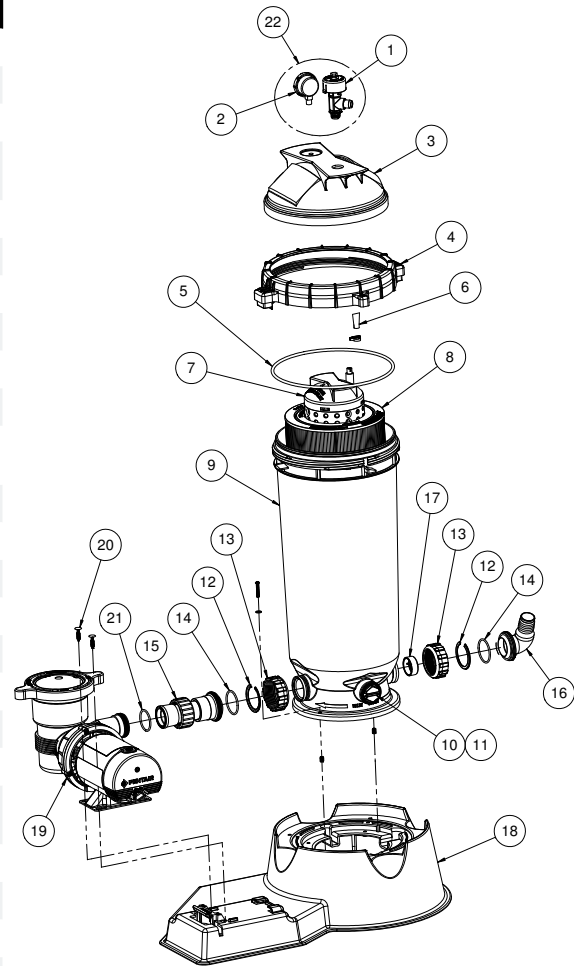
ABOVEGROUND SYSTEMS PARTS

Product Catalog 2024

CLEAN & CLEAR® FILTER SYSTEMS

REPLACEMENT PARTS FOR SYSTEMS MANUFACTURED 2009 AND BEYOND

Item	Part No.	Description	US List	Can. List
CLEAN & CLEAR FILTER SYSTEMS 2009 AND BEYOND				
1	98209800	High Flow Manual Relief Valve	52.99	63.67
2	190058Z	Pressure Gauge	CALL	CALL
3	178553	Lid, 50/100/125 sq. ft., Almond	247.29	297.14
3	178561	Lid, 75/150/175/200 sq. ft., Almond	230.57	277.05
4	59052900	Locking Ring Assy	151.74	182.33
5	87300400Z	Body O-Ring	CALL	CALL
6	59016200	Air Bleed Sock Kit	20.31	24.40
7	59053500	Center Core, 50 sq. ft.	179.87	216.13
7	59053600	Center Core, 75 sq. ft.	181.31	217.86
7	59053700	Center Core, 100/125 sq. ft.	211.37	253.98
7	59053800	Center Core, 150/175/200 sq. ft.	323.92	389.22
8	R173213	Cartridge Element, 50 sq. ft.	140.71	169.08
8	R173214	Cartridge Element, 75 sq. ft.	182.32	219.08
8	R173215	Cartridge Element, 100 sq. ft.	223.63	268.71
8	R178671	Cartridge Element, 125 sq. ft.	269.39	323.70
8	R173216	Cartridge Element, 150 sq. ft.	294.64	354.04
8	R178672	Cartridge Element, 175 sq. ft.	344.29	413.70
8	R173217	Cartridge Element, 200 sq. ft.	367.74	441.88
9	178562	Tank Bottom, 50/75, Almond	436.51	524.51
9	178563	Tank Bottom, 100/125/150/175/200, Almd	556.29	668.44
10	86202000	Drain Cap with O-Ring	29.44	35.38
11	51005000	O-Ring (Drain Cap)	10.70	12.86
12	39104500	C-Clip (Union Nut)	2.91	3.50
13	98212200	Union Nut	16.77	20.15
14	071426	O-Ring (Union)	2.47	2.97
15	155372	Pump to Filter Assembly (OptiFlo®)	85.83	103.13
16	79304700	Body swivel 1.5 NPT	31.86	38.28
16	711006	Outlet Connector	10.30	12.38
17	51516100	Check Valve Kit	61.53	73.93
18	155333P	Systems Base	CALL	CALL
18	155333CP	Systems Base, CSA Pump	143.98	173.01
19		OptiFlo Pump		
20	710009	Base Hardware Kit	25.15	30.22
21	354571	O-Ring (Union)	5.39	6.48
22	170095	Air Relief Parts Kit	93.76	112.66
ACCESSORIES				
	155151	Replacement Hose Kit, Flex Hose, 6 ft. ¹	151.09	181.55
	155005	Replacement Hose Kit, Flex Hose, 12ft ¹	199.40	239.60



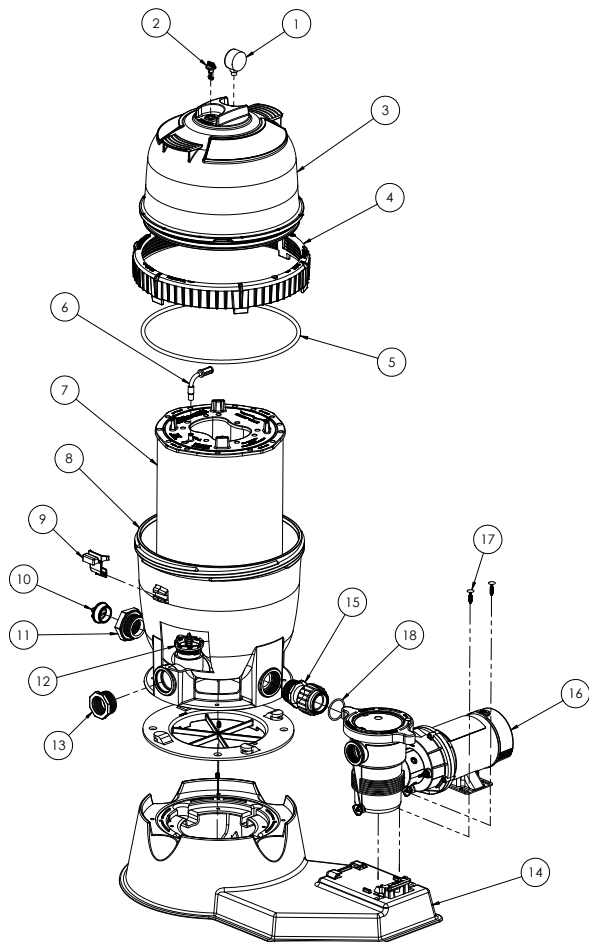
CALIFORNIA PROPOSITION 65 WARNING

⚠️ **WARNING:** Cancer and Reproductive Harm.
 ⚠️ **AVERTISSEMENT:** Peut Causer le Cancer et des Dommages au Système Reproducteur.
 ⚠️ **ADVERTENCIA:** Cáncer y Daño Reproductivo.
www.p65warnings.ca.gov PN120214

¹ Replacement Hose Kits include two (2) hoses, four (4) hose adaptors and four (4) hose clamps.

PLM FILTER SYSTEMS

REPLACEMENT PARTS FOR SYSTEMS MANUFACTURED 2009 AND BEYOND



Note: System shown with 155333P Base and OptiFlo® Pump

CALIFORNIA PROPOSITION 65 WARNING
 ⚠️ **WARNING:** Cancer and Reproductive Harm.
 ⚠️ **AVERTISSEMENT:** Peut Causer le Cancer et des Dommages au Système Reproducteur.
 ⚠️ **ADVERTENCIA:** Cáncer y Daño Reproductivo.
www.p65warnings.ca.gov PK20171A

Item	Part No.	Description	US List	Can. List
PLM FILTER SYSTEMS 2009 AND BEYOND				
1	15060-0000T	Pressure Gauge	66.47	79.87
2	25010-0200	Air Relief Valve Assembly	27.56	33.12
3	27001-0020S	Tank Shell Upper Half	459.47	552.10
4	27001-0054S	Posi-Lok Ring	306.80	368.65
5	27001-0061S	Body O-Ring	80.05	96.19
6	24800-0121	Air Bleed Assembly	26.64	32.01
7	27002-0100S	Filter Module - PLM100	407.87	490.10
7	27002-0150S	Filter Module - PLM150	605.45	727.51
8	27001-0009S	Tank Shell Lower Half	780.52	937.87
9	27001-0051	Safety Latch	21.59	25.94
10	27001-0022	1-1/2 in. NPT Plug	4.28	5.14
11	24900-0510	Adapter Fitting	41.68	50.08
12	27001-0130S	Spring Check Valve	33.29	40.00
13	U78-820P3	2 in. to 1-1/2 in. Pipe Reducer	19.75	23.73
14	155331P	Systems Base (ABG/JWP)	297.68	357.69
14	155333P	Systems Base (OptiFlo)	143.99	173.02
14	155333CP	Systems Base, CSA (OptiFlo)	143.98	173.01
15	155403	Pump to Filter Hose Assembly (JWP)	74.23	89.19
15	155374	Pump to Filter Assembly (OptiFlo) ²	74.23	89.19
15	155765	Pump to Filter Assembly (OptiFlo) ³	62.00	74.50
16		OptiFlo Pump		
17	710009	Base Hardware Kit	25.15	30.22
18	354571	O-Ring, Union (Opti-Flo)	5.39	6.48
18	U9-226Z	O-Ring, Union (JWP)	4.91	5.90
NOT SHOWN				
	155151	Kit, Flex Hose, 6 ft. ¹	151.09	181.55
	155005	Kit, Flex Hose, 12 ft. ¹	199.40	239.60

¹ Replacement Hose Kits include two (2) hoses, four (4) hose adaptors and four (4) hose clamps.

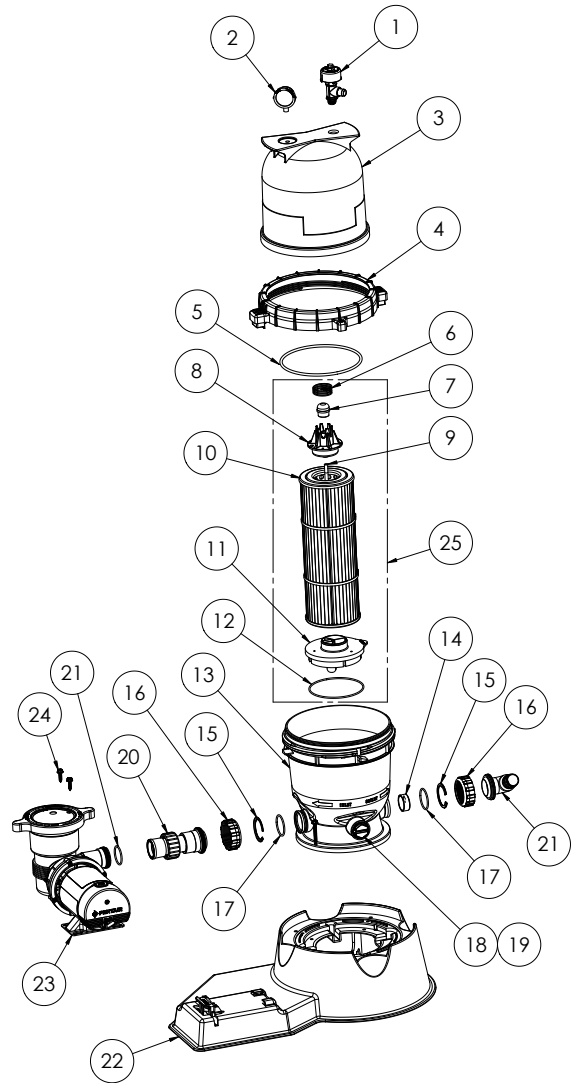
² When replacement OptiFlo pump is used on base 155333P and 155333CP.

³ When replacement OptiFlo pump is used on base 155331P.

EASYSYSTEM™ FILTER SYSTEMS

REPLACEMENT PARTS

Item	Part No.	Description	US List	Can. List
EASYSYSTEM FILTER SYSTEMS				
1	98209800	High Flow Manual Relief Valve	52.99	63.67
2	190058Z	Pressure Gauge	13.45	16.16
3	178561	Lid, Almond	230.57	277.05
4	59052900	Locking Ring Assy	151.74	182.33
5	87300400Z	Body O-Ring	14.97	17.99
6	178616	Compression Spring	9.97	11.98
7	190106Z	Air Bleeder	41.31	49.64
8	178626	Center Core Top, EC	28.15	33.83
9	U37-3/8P	Air Bleeder Tube, EC60	CALL	CALL
9	U37-3/8P	Air Bleeder Tube, EC90	CALL	CALL
10	178757	Cartridge Element, EC60	131.24	157.70
10	178656	Cartridge Element, EC90	CALL	CALL
11	178627	Center Core Bottom, EC	24.59	29.55
12	071422	O-Ring, Center Core	10.70	12.86
13	178562	Tank Bottom, EC60	436.51	524.51
13	178563	Tank Bottom, EC90	556.29	668.44
14	51516100	Check Valve Kit	61.53	73.93
15	39104500	C-Clip Union Nut	2.91	3.50
16	98212200	Union Nut	16.77	20.15
17	071426	O-Ring Union	2.47	2.97
18	86202000	Drain Cap with O-Ring	29.44	35.38
19	51005000	O-Ring Drain Cap	10.70	12.86
20	155372	Pump to Filter Assembly (OptiFlo®) - comes with O-ring (354571)	85.83	103.13
21	354571	O-Ring Union	5.39	6.48
22	155333P	Systems Base	143.99	173.02
23		OptiFlo Pump		
24	710009	Base Hardware Kit	25.15	30.22
25 ¹	196060	Element Retro Kit, EC60	210.93	253.45
25 ¹	196060	Element Retro Kit, EC90	210.93	253.45
NOT SHOWN				
	155151	Flex Hose Kit (6 ft.) ²	151.09	181.55
	155005	Flex Hose Kit (12 ft.) ²	199.40	239.60



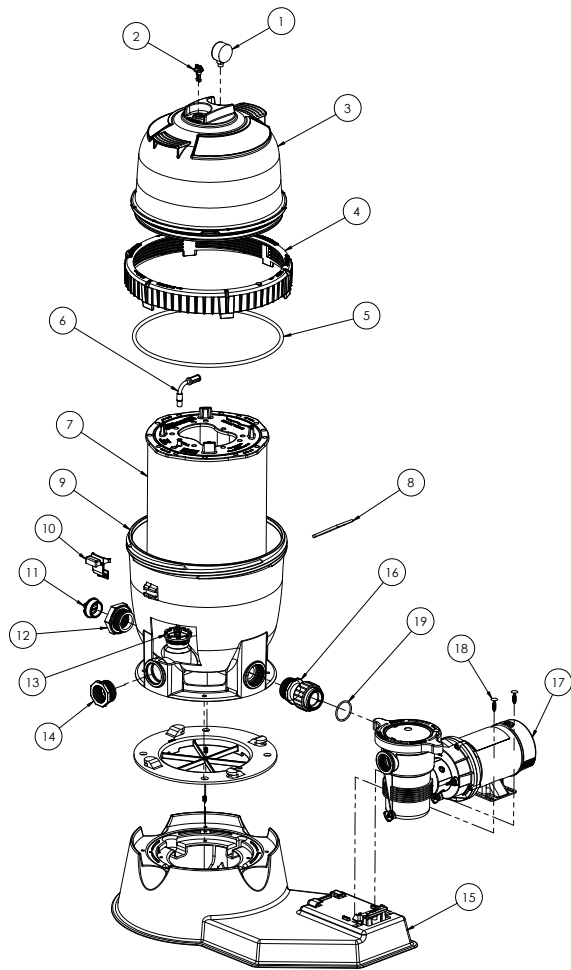
¹ Item 25 includes items 6 through 12. Item 25 replaces the Center Core, Cartridge Element, and Air Bleeder Sock Kit on filters manufactured before 2014.

² Replacement Hose Kits include two (2) hoses, four (4) hose adapters and four (4) hose clamps.

CALIFORNIA PROPOSITION 65 WARNING
 ⚠️ **WARNING:** Cancer and Reproductive Harm.
 ⚠️ **AVERTISSEMENT:** Peut Causer le Cancer et des Dommages au Système Reproducteur.
 ⚠️ **ADVERTENCIA:** Cáncer y Daño Reproductivo.
www.p65warnings.ca.gov PNE0018A

PLD FILTER SYSTEMS

REPLACEMENT PARTS FOR SYSTEMS MANUFACTURED 2009 AND BEYOND



Note: System shown with 155333P Base and OptiFlo® Pump

Item	Part No.	Description	US List	Can. List
PLD FILTER SYSTEMS 2009 AND BEYOND				
1	15060-0000T	Pressure Gauge	66.47	79.87
2	25010-0200	Air Relief Valve Assembly	27.56	33.12
3	27001-0020S	Tank Shell Upper Half	459.47	552.10
4	27001-0054S	Posi-Lok Ring	306.80	368.65
5	27001-0061S	Body O-Ring	80.05	96.19
6	24800-0120	Air Bleed Assembly	32.06	38.52
7	27002-0030S	Filter Module - PLD50	511.71	614.87
8	27001-0011	Flapper Valve	24.09	28.95
9	27001-0009S	Tank Shell Lower Half	780.52	937.87
10	27001-0051	Safety Latch	21.59	25.94
11	27001-0022	1-1/2 in. NPT Plug	4.28	5.14
12	24900-0510	Adapter Fitting	41.68	50.08
13	27001-0130S	Spring Check Valve	33.29	40.00
14	U78-820P3	2 in. to 1-1/2 in. Pipe Reducer	19.75	23.73
15	155333P	Systems Base (ABG/JWP)	297.68	357.69
15	155333P	Systems Base (OptiFlo)	143.99	173.02
15	155333CP	Systems Base, CSA (OptiFlo)	143.98	173.01
16	155403	Pump to Filter Hose Assembly (JWP)	74.23	89.19
16	155374	Pump to Filter Assembly (OptiFlo) ²	74.23	89.19
16	155765	Pump to Filter Assembly (OptiFlo) ³	62.00	74.50
17		OptiFlo Pump		
18	710009	Base Hardware Kit	25.15	30.22
19	354571	O-Ring, Union	5.39	6.48
NOT SHOWN				
	155151	Kit, Flex Hose, 6 ft. ¹	151.09	181.55
	155005	Kit, Flex Hose, 12 ft. ¹	199.40	239.60

CALIFORNIA PROPOSITION 65 WARNING
 ⚠️ **WARNING:** Cancer and Reproductive Harm.
 ⚠️ **AVERTISSEMENT:** Peut Causer le Cancer et des Dommages au Système Reproducteur.
 ⚠️ **ADVERTENCIA:** Cáncer y Daño Reproductivo.
www.p65warnings.ca.gov

¹ Replacement Hose Kits include two (2) hoses, four (4) hose adapters and four (4) hose clamps.

² When replacement OptiFlo pump is used on base 155333P and 155333CP.

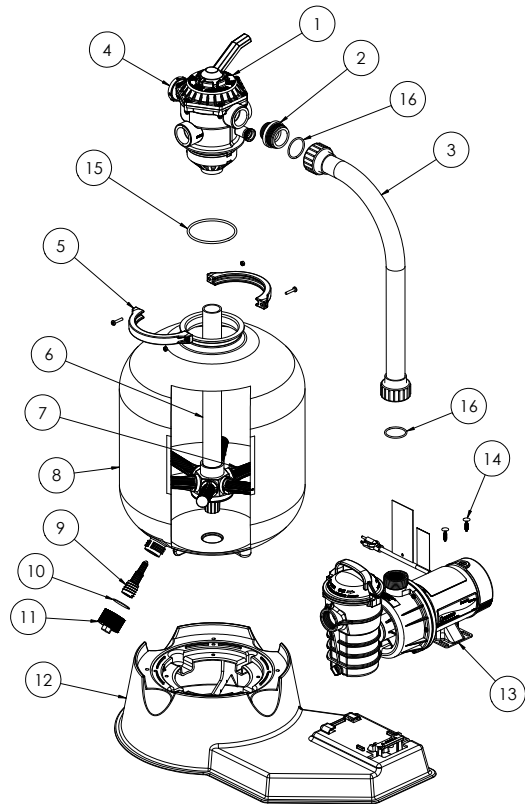
³ When replacement OptiFlo pump is used on base 155331P.

SAND DOLLAR® FILTER SYSTEMS

REPLACEMENT PARTS FOR SYSTEMS MANUFACTURED 2009 AND BEYOND

Item	Part No.	Description	US List	Can. List
SAND DOLLAR FILTER SYSTEMS 2009 AND BEYOND				
1	262506	Valve, 1-1/2 Inch, 6-Way	CALL	CALL
2	354588	Adaptor, NPT to Buttress	30.99	37.24
3	155709	Pump to Filter Assembly (Dynamo to SD35)	94.75	113.85
3	155710	Pump to Filter Assembly (Dynamo to SD40)	99.07	119.04
3	155711	Pump to Filter Assembly (Dynamo to SD60)	104.32	125.35
4	190059Z	Pressure Gauge	CALL	CALL
5	152165	Clamp Assembly	37.82	45.44
6	152229	Piping Assembly – SD35	187.73	225.58
6	152228	Piping Assembly – SD40	173.32	208.26
6	152227	Piping Assembly – SD60	201.49	242.11
7	150084	Lateral – SD 35 & SD 40	10.42	12.52
7	150085	Lateral – SD60	13.10	15.74
8	145339	Tank w/ Drain – SD35	432.02	519.12
8	145341	Tank w/ Drain – SD40	573.17	688.72
8	145343	Tank w/ Drain – SD60	793.55	953.53
9	154711Z	Sand Drain	25.57	30.72
10	154715	Gasket (Sand Drain)	8.68	10.43
11	154712Z	Drain Cap	CALL	CALL
12	155333P	Systems Base	143.99	173.02
12	155333CP	Systems Base, CSA Pump	143.98	173.01
13		OptiFlo® Pump		
14	710009	Base Hardware Kit	25.15	30.22
15	272541	O-Ring Valve Body	12.35	14.84
16	354571	O-Ring, Union	5.39	6.48
NOT SHOWN				
	155151	Kit, Flex Hose, 6 ft. ¹	151.09	181.55
	155005	Kit, Flex Hose, 12 ft. ¹	199.40	239.60

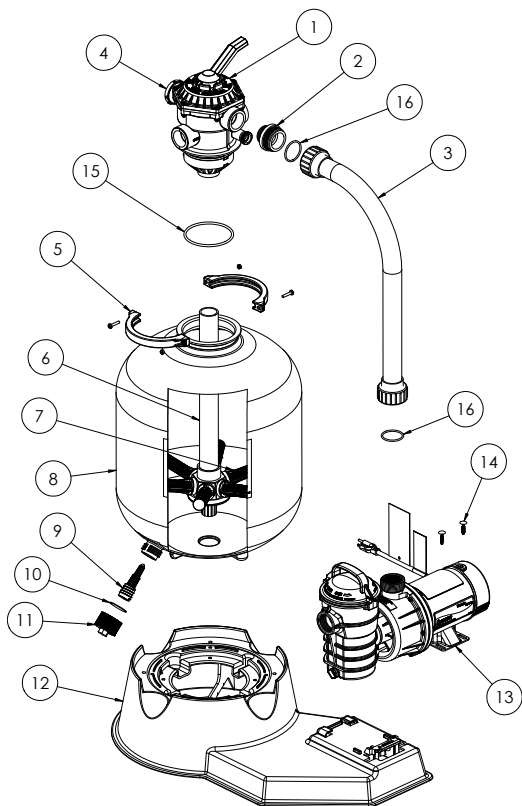
¹ Replacement Hose Kits include two (2) hoses, four (4) hose adaptors and four (4) hose clamps.



CALIFORNIA PROPOSITION 65 WARNING
 ⚠️ **WARNING:** Cancer and Reproductive Harm.
 ⚠️ **AVERTISSEMENT:** Peut Causer le Cancer et des Dommages au Système Reproducteur.
 ⚠️ **ADVERTENCIA:** Cáncer y Daño Reproductivo.
www.p65warnings.ca.gov P65019-A

CRISTAL-FLO™ II FILTER SYSTEMS

REPLACEMENT PARTS FOR SYSTEMS MANUFACTURED 2009 AND BEYOND



Item	Product	Description	US List	Can. List
CRISTAL-FLO II FILTER SYSTEMS 2009 AND BEYOND				
1	262506	Valve, 1-1/2 Inch, 6-Way	CALL	CALL
2	354588	Adaptor, NPT to Buttress	30.99	37.24
3	155726	Pump to Filter Assy (JWP/ABG to 16 in. Tank)	94.75	113.85
3	155727	Pump to Filter Assy (JWP/ABG to 19 in. Tank)	99.07	119.04
3	155728	Pump to Filter Assy (JWP/ABG to 22 in. Tank)	104.32	125.35
3	155709	Pump to Filter Assy (Dynamo/OptiFlo® to 16 in. Tank)	94.75	113.85
3	155710	Pump to Filter Assy (Dynamo/OptiFlo to 19 in. Tank)	99.07	119.04
3	155711	Pump to Filter Assy (Dynamo/OptiFlo to 22 in. Tank)	104.32	125.35
4	190059Z	Pressure Gauge	66.35	79.73
5	152165	Clamp Assembly	37.82	45.44
6	152229	Piping Assembly – 16 in. Tank	187.73	225.58
6	152228	Piping Assembly – 19 in. Tank	173.32	208.26
6	152227	Piping Assembly – 22 in. Tank	201.49	242.11
7	150084	Lateral – 16 in. & 19 in. Tanks	10.42	12.52
7	150085	Lateral – 22 in. Tanks	13.10	15.74
8	145364	Tank w/ Drain – 16 in. Tank	414.05	497.52
8	145365	Tank w/ Drain – 19 in. Tank	549.25	659.98
8	145366	Tank w/ Drain – 22 in. Tank	760.49	913.80
9	154711Z	Sand Drain	25.57	30.72
10	154715	Gasket (Sand Drain)	8.68	10.43
11	154712Z	Drain Cap	46.09	55.38
12	155333P	Systems Base	143.99	173.02
12	155333CP	Systems Base, CSA Pump	143.98	173.01
13		OptiFlo Pump		
14	710009	Base Hardware Kit	25.15	30.22
15	272541	O-Ring Valve Body	12.35	14.84
16	354571	O-Ring, Union	5.39	6.48
NOT SHOWN				
	155151	Kit, Flex Hose, 6 ft. ¹	151.09	181.55
	155005	Kit, Flex Hose, 12 ft. ¹	199.40	239.60
	155767	Conn Kit, Pump to Filter All sizes	51.72	62.15

¹ Replacement hose kits include (2) hoses, (4) hose adapters and (4) hose clamps.

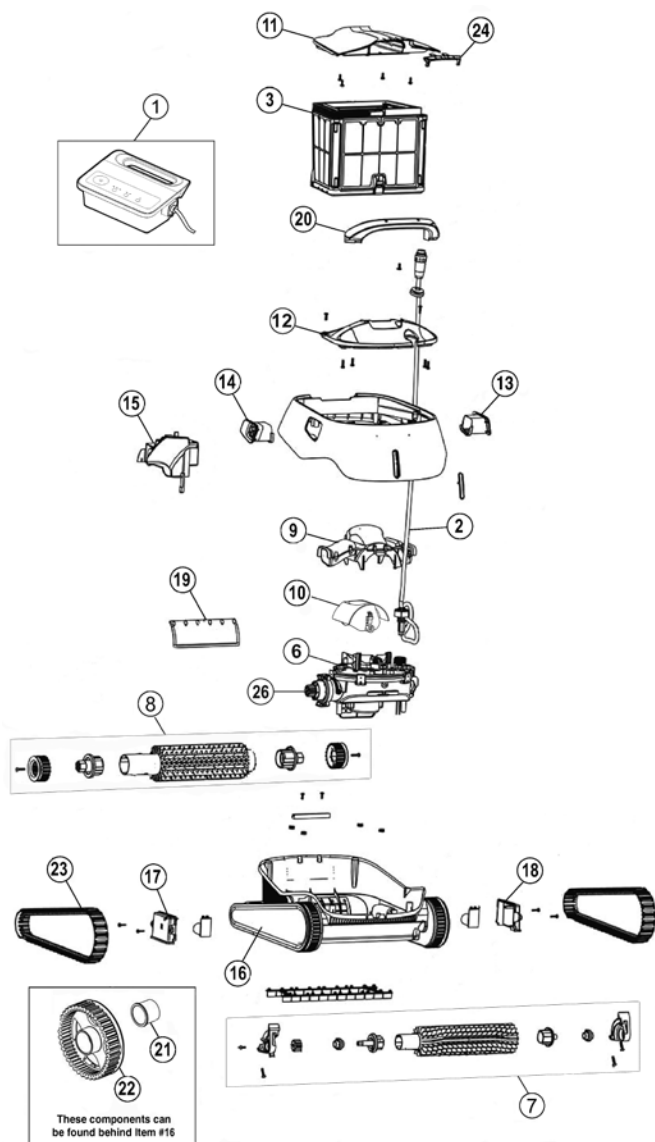
CALIFORNIA PROPOSITION 65 WARNING
 ⚠️ **WARNING:** Cancer and Reproductive Harm.
 ⚠️ **AVERTISSEMENT:** Peut Causer le Cancer et des Dommages au Système Reproducteur.
 ⚠️ **ADVERTENCIA:** Cáncer y Daño Reproductivo.
www.p65warnings.ca.gov P8 201514

AUTOMATIC POOL CLEANER PARTS

Product Catalog 2024

PENTAIR PROWLER® 930, 930W/PENTAIR WARRIOR® SI

CLEANER REPLACEMENT PARTS



CALIFORNIA PROPOSITION 65 WARNING

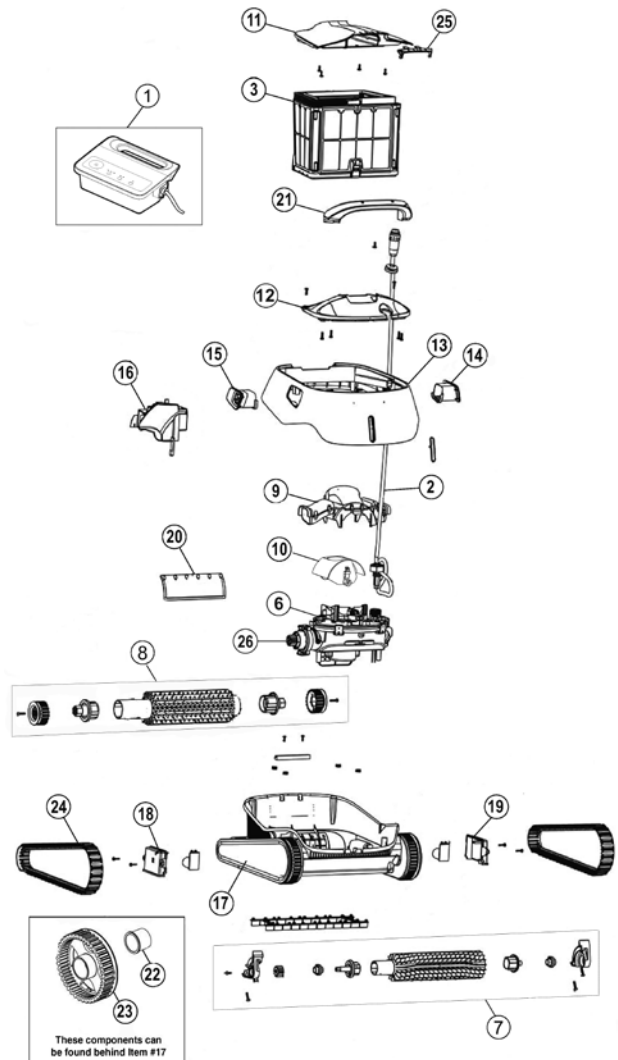
⚠ **WARNING:** Cancer and Reproductive Harm.
 ⚠ **AVERTISSEMENT:** Peut Causer le Cancer et des Dommages au Système Reproducteur.
 ⚠ **ADVERTENCIA:** Cáncer y Daño Reproductivo.
www.p65warnings.ca.gov

Item	Part No.	Description	US List	Can. List
PROWLER 930/WARRIOR SI				
1	360400	Power Supply (930 & SI)	734.74	882.86
1	360541	Power Supply (930W)	869.10	1044.31
2	360446	Communication Cable	619.28	744.13
3	360507	Outer Filter Basket	544.93	654.79
6	360365	Motor Unit	1215.20	1460.18
7	360366	Front Brush Assembly	18.91	22.72
8	360367	Rear Brush Assembly	31.86	38.28
9	360370	Manifold Assembly	26.47	31.81
10	360371	Impeller Cover	12.42	14.92
11	360447	Filter Cover, Prowler 930	46.84	56.28
11	360506	Filter Cover, Warrior SI	58.59	70.40
12	360375	Intermediate Cover	26.73	32.12
13	360377	Left Grill, Prowler 930	8.48	10.19
13	360502	Left Grill, Warrior SI	19.52	23.46
14	360378	Right Grill, Prowler 930	8.48	10.19
14	360503	Right Grill, Warrior SI	19.52	23.46
15	360379	Internal Float	7.56	9.08
16	360380	Side Panel	27.39	32.91
17	360382	Bypass Cover, Left	7.56	9.08
18	360383	Bypass Cover, Right	7.56	9.08
19	360384	Rapid Drain Flap	15.12	18.17
20	360385	Handle Assembly, Prowler 930	44.96	54.02
20	360504	Handle Assembly, Warrior SI	58.59	70.40
21	360388	Front Brush Bushing	18.91	22.72
22	360372	Front Wheel	18.91	22.72
23	360342	Track	53.02	63.71
24	360373	Latch, Prowler 930	22.38	26.89
24	360500	Latch, Warrior SI	19.52	23.46
26	360547	Motor Gear	18.75	CALL
NOT SHOWN				
	360445	Inner Filter Basket	164.16	197.25
	360363	Cartridge Filter Kit	270.82	325.42
	360364	Net Filter Kit	145.84	175.24
	360340	Impeller	22.76	27.35
	360170	Cleaner Caddy	CALL	CALL
	360381	Rear Wheel	7.56	9.08
	360039	Prowler Tester Power Supply	93.37	112.19
	360518	Prowler 900s Dealer Service Pack	CALL	CALL

PENTAIR PROWLER® 920 / WARRIOR® SE

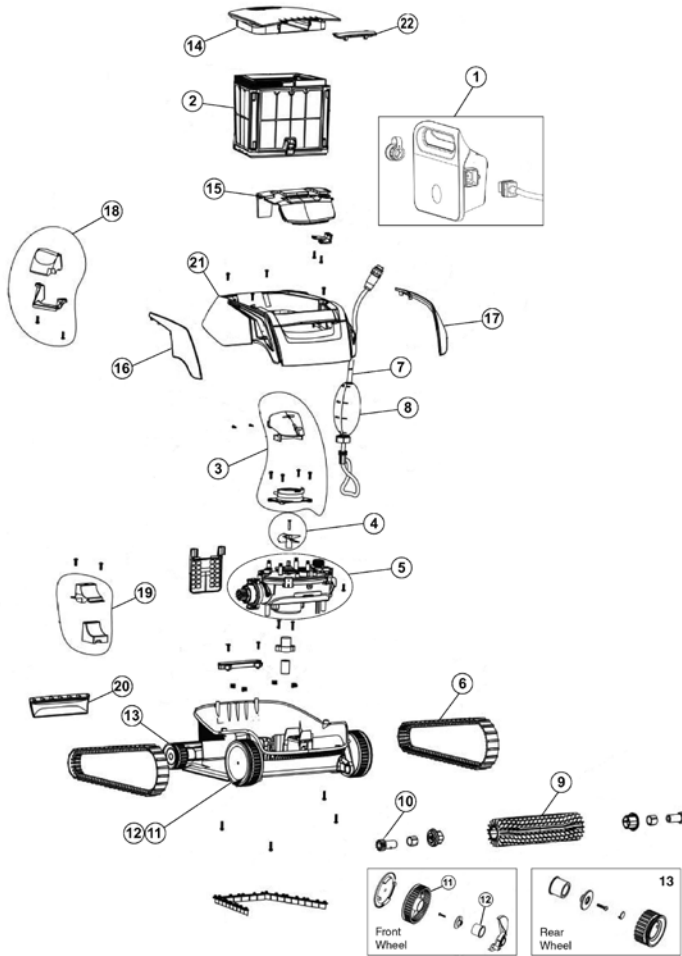
CLEANER REPLACEMENT PARTS

Item	Part No.	Description	US List	Can. List
PROWLER 920/WARRIOR SE				
1	360400	Power Supply	734.74	882.86
2	360499	Communication Cable	386.55	464.48
3	360362	Filter Basket	379.13	455.56
6	360365	Motor Unit	1215.20	1460.18
7	360366	Front Brush Assembly	18.91	22.72
8	360367	Rear Brush Assembly	31.86	38.28
9	360370	Manifold Assembly	26.47	31.81
10	360371	Impeller Cover	12.42	14.92
11	360374	Filter Cover, Prowler 920	38.13	45.82
11	360501	Filter Cover, Warrior SE	58.59	70.40
12	360375	Intermediate Cover	26.73	32.12
13	360376	External Housing	101.94	122.49
14	360377	Left Grill, Prowler 920	8.48	10.19
14	360502	Left Grill, Warrior SE	19.52	23.46
15	360378	Right Grill, Prowler 920	8.48	10.19
15	360503	Right Grill, Warrior SE	19.52	23.46
16	360379	Internal Float	7.56	9.08
17	360380	Side Panel	27.39	32.91
18	360382	Bypass Cover, Right	7.56	9.08
19	360383	Bypass Cover, Left	7.56	9.08
20	360384	Rapid Drain Flap	15.12	18.17
21	360385	Handle Assembly, Prowler 920	44.96	54.02
21	360504	Handle Assembly, Warrior SE	58.59	70.40
22	360388	Front Wheel Bushing	18.91	22.72
23	360372	Front Wheel	18.91	22.72
24	360342	Track	53.02	63.71
25	360373	Latch, Prowler 920	22.38	26.89
25	360500	Latch, Warrior SE	19.52	23.46
26	360547	Motor Gear	18.75	CALL
NOT SHOWN				
	360340	Impeller	22.76	27.35
	360363	Cartridge Filter Kit	270.82	325.42
	360364	Net Filter Kit	145.84	175.24
	360381	Rear Wheel	7.56	9.08
	360039	Prowler Tester Power Supply	93.37	112.19
	360518	Prowler 900s Dealer Service Pack	CALL	CALL



PENTAIR PROWLER® 910 / WARRIOR SL

CLEANER REPLACEMENT PARTS



Item	Part No.	Description	US List	Can. List
PROWLER 910/WARRIOR SL				
1	360337	Power Supply	710.84	854.15
2	360496	Filter Assembly	214.76	258.06
3	360339	Impeller Cover	18.99	22.82
4	360340	Impeller	22.76	27.35
5	360341	Motor Unit	850.94	1022.49
6	360342	Track	53.02	63.71
7	360343	Communication Cable	138.26	166.13
8	360344	Cable Float	26.47	31.81
9	360345	Active Brush	21.60	25.95
10	360346	Brush Mounting	15.12	18.17
11	360347	Front Wheel	7.56	9.08
12	360388	Front Wheel Bushing	18.91	22.72
13	360348	Rear Wheel Assembly	29.00	34.85
14	360349	Filter Cover, Prowler 910	75.79	91.07
14	360521	Filter Cover, Warrior SL	90.82	109.13
15	360350	Intermediate Cove	11.34	13.63
16	360351	Side Cover, Right	11.34	13.63
17	360352	Side Cover, Left	11.34	13.63
18	360354	Internal Top Float and Housing	7.56	9.08
19	360355	Internal Bottom Float and Housing	7.56	9.08
20	360356	Float Rubber Cover	11.34	13.63
21	360358	External Housing, Prowler 910	60.66	72.89
21	360498	External Housing, Warrior SL	97.60	117.28
22	360359	Latch	22.38	26.89
NOT SHOWN				
	360039	Prowler Tester Power Supply	93.37	112.19
	360518	Prowler 900s Dealer Service Pack	CALL	CALL

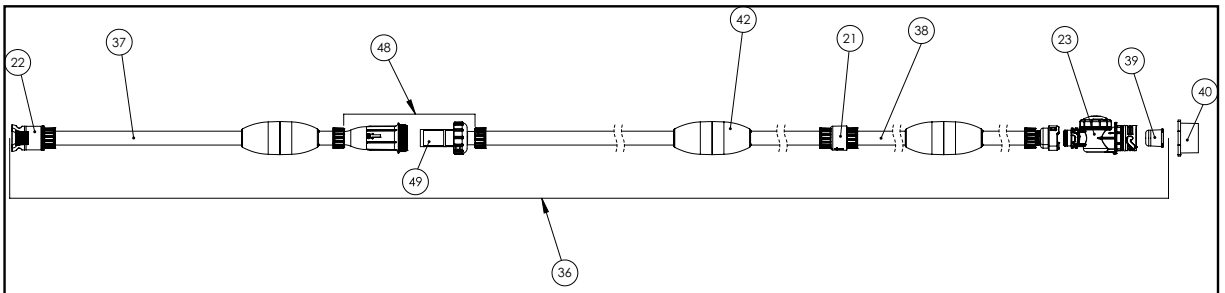
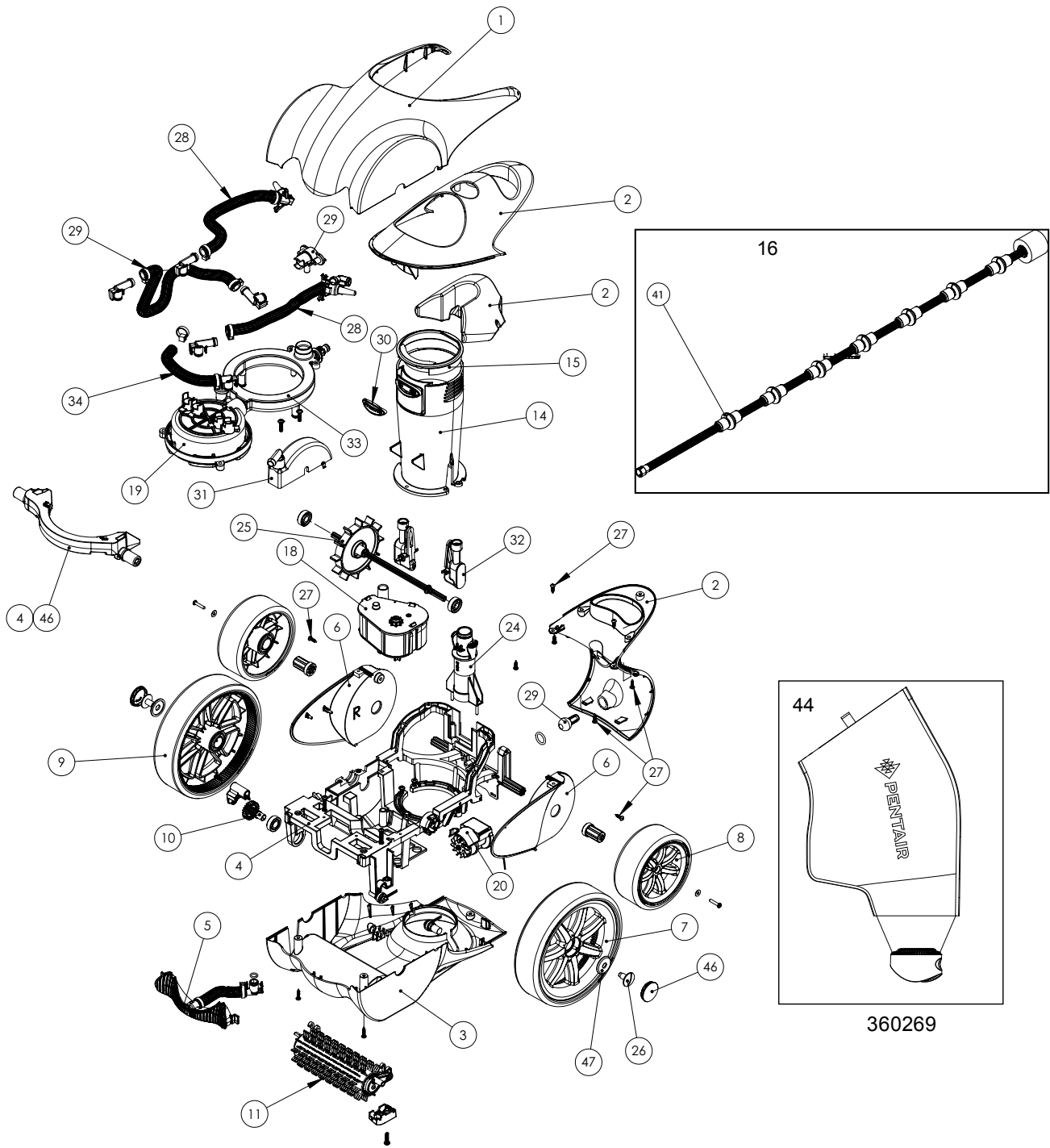
CALIFORNIA PROPOSITION 65 WARNING

⚠️ **WARNING:** Cancer and Reproductive Harm.
 ⚠️ **AVERTISSEMENT:** Peut Causer le Cancer et des Dommages au Système Reproducteur.
 ⚠️ **ADVERTENCIA:** Cáncer y Daño Reproductivo.

www.p65warnings.ca.gov
PA2017A

PENTAIR RACER® PRESSURE SIDE CLEANER

CLEANER REPLACEMENT PARTS



PENTAIR RACER® PRESSURE SIDE CLEANER (CONT'D)

CLEANER REPLACEMENT PARTS

Item	Part No.	Description	US List	Can. List
RACER REPLACEMENT PARTS				
1	360229	Top Front Cover Kit	61.80	74.26
2	360230	Rear Cover Kit	89.55	107.60
3	360231	Bottom Cover Kit	30.88	37.11
4	360391	Chassis Kit w/Tie Bar	92.43	111.06
5	360233	Front Grill Kit	26.68	32.06
6	360234	Side Covers Kit	35.79	43.01
7	360235	Large Wheel Kit	67.92	81.61
8	360236	Small Wheel Kit	97.56	117.23
9	360237	Large Tires Kit	71.45	85.85
10	360238	Scrubber Gear Kit	20.93	25.15
11	360239	Scrubber Kit	97.10	116.68
12*	360240	Debris Bag Kit (w/o collar), hook and loop fastener	70.35	84.53
13*	360241	Debris Bag Collar Kit	18.60	22.35
14	360242	Vacuum Tube Kit	54.16	65.08
15	360243	Debris Valve Kit	9.24	11.10
16	360244	Sweep Hose Kit	83.36	100.17
17	360245	Sweep Hose Scrubber Kit	20.81	25.01
18	360246	Gear Box Kit	64.98	78.08
19	360247	Timer Valve Kit	111.84	134.39
20	360248	LED Kit	241.54	290.23
21	360249	Feedline Swivel Kit (incl. (swivel -1) (Mender Nut - 2)	77.95	93.66
22	360250	Feedline Quick Connector to cleaner Kit (mender nut, swivel and connector)	38.46	46.21
23	360251	Feedline Wall Connector Kit (wall fitting w/2 O-rings)	54.56	65.56
24	360252	Feed Mast Kit (feed tube, oring & 2 screws)	14.74	17.71
25	360253	Drive Shaft Kit (drive shaft & 2 bearings)	34.99	42.04
26	LLC55PMB	Wheel Screw Kit	7.65	9.19
27	360255	Screw Kit (11 1/2", 4 5/8", 9 machine & 2 1")	16.87	20.27
28	360256	Turn Jet Hose Kit (R & L hose assembly)	46.29	55.62
29	360257	Rear Thrust Jet Hose Kit (thrust jet assembly & 2 5/8" screws)	31.67	38.05
30	360258	Rubber Button Kit (rubber button)	2.22	2.67
31	360414	Turbine Kit	31.26	37.56
32	360260	Venturi manifold Kit	23.98	28.81
33	360261	Water Management Kit	42.04	50.52
34	360262	Turbine Hose Kit	17.07	20.51

Item	Part No.	Description	US List	Can. List
35	360263	See Racer Tune-Up Kit below	247.00	296.80
36	360264	Feed Line Hose Kit Complete	514.49	618.21
37	360265	Soft Feed Line Hose Kit 10'	145.24	174.52
38	360266	Hard Feed Line Hose Kit 10'	157.18	188.87
39	E24	Debris Screen	15.82	19.01
40	LL23PM	Threaded Wall Adapter	15.17	18.23
41	EB10G	Sweep Hose Wear Ring	20.00	24.03
42	360270	Feed Line Float	CALL	CALL
43*	360268	Feed Line O-Ring Kit (1 - 017, 1 - 020, 6 - 011, 1 - 012, 1 - 027 & 1 - 220)	11.91	14.31
44	360269	Debris Bag w/ Mechanical Lock	CALL	CALL
45*	360274	Wheel Hump Insert Kit	29.81	35.82
46	360434	Axle Kit	54.39	65.36
47	EC64	Wheel Washer Kit	9.36	11.25
48	360392	Inline Filter Kit	63.04	75.75
49	360437	Replacement Screen Cartridge	7.79	9.36

INCLUDED IN RACER TUNE-UP KIT

35	360263	Kit Includes: Bag (1), Driveshaft (1), Wheel Bearings (4), Drive-shaft Bearings (2), Scrubber Bearing (1), Large Tires (2), Scrubber (1), Small Wheel (2), Needle Bearing (2), Wheel Screws (2), 1/2" Screws (2), Hub-caps (2)	247.00	296.80
----	--------	---	--------	--------

NOT SHOWN

360320	Quick Disconnect Hose Connector Kit	6.23	7.49
360318	Sweep Tail Quick Connect	4.84	5.82

Note: (*) Not shown

¹ If cleaner was manufactured before 01/15/16, replacement of Item #33 360261 Water Management Tub will be required

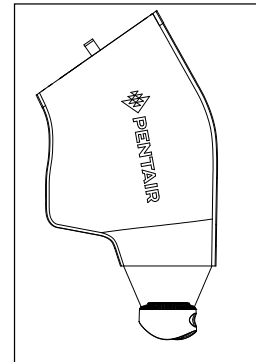
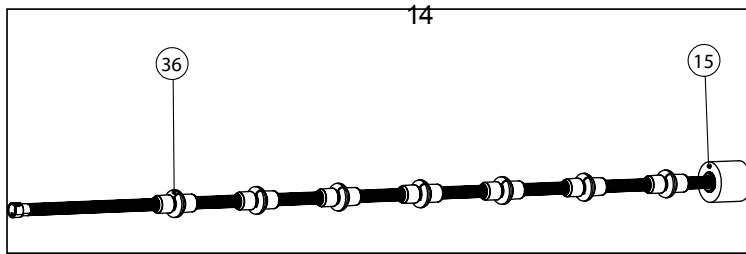
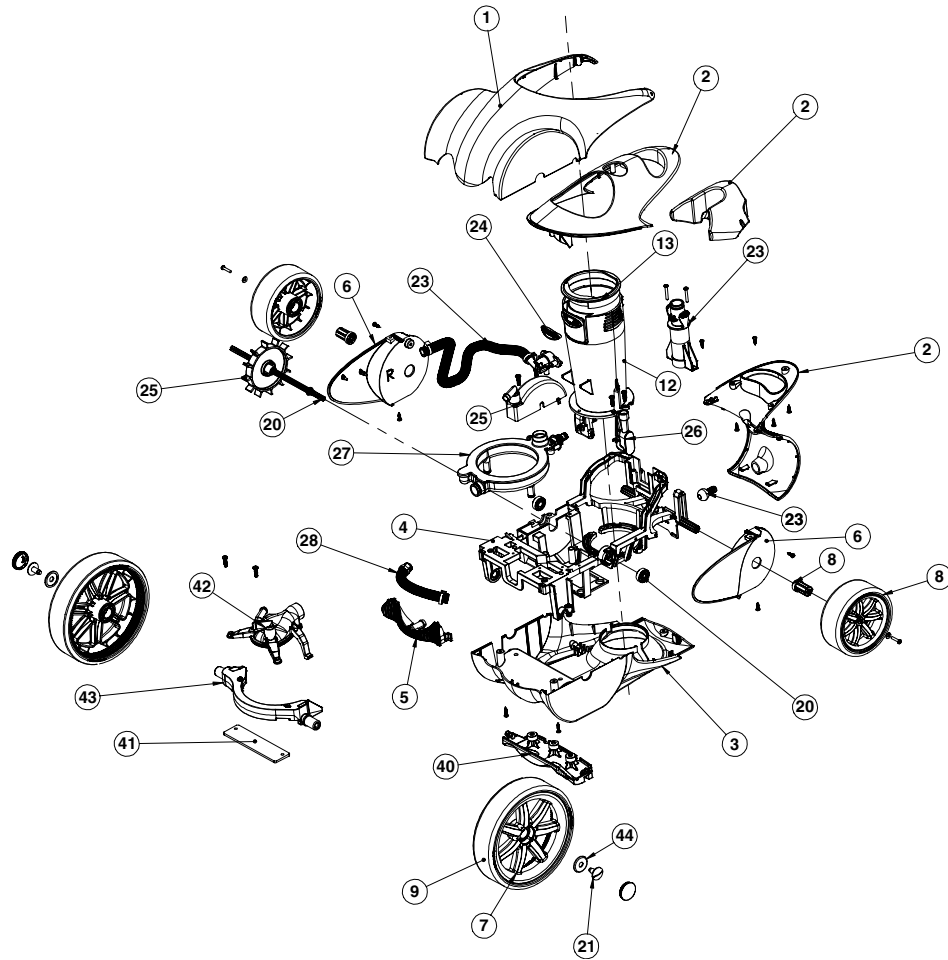
CALIFORNIA PROPOSITION 65 WARNING

WARNING: Cancer and Reproductive Harm.
AVERTISSEMENT: Peut Causer le Cancer et des Dommages au Systeme Reproducteur.
ADVERTENCIA: Cáncer y Daño Reproductivo.

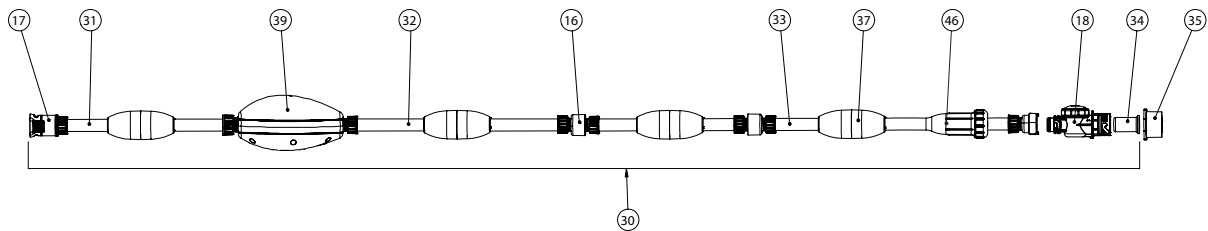
www.p65warnings.ca.gov. PA20071A

PENTAIR RACER® LS PRESSURE SIDE CLEANER

CLEANER REPLACEMENT PARTS



360241



CALIFORNIA PROPOSITION 65 WARNING

▲ **WARNING:** Cancer and Reproductive Harm.
 ▲ **AVERTISSEMENT:** Peut Causer le Cancer et des Dommages au Système Reproducteur.
 ▲ **ADVERTENCIA:** Cáncer y Daño Reproductivo.
www.p65warnings.ca.gov

PENTAIR RACER® LS PRESSURE SIDE CLEANER (CONT'D)

CLEANER REPLACEMENT PARTS

Item	Part No.	Description	US List	Can List
RACER LS REPLACEMENT PARTS				
1	360422	Top Front Cover Kit	61.58	73.99
2	360425	Rear Cover Kit	60.35	72.52
3	360424	Bottom Cover Kit	23.62	28.38
4	360391	Chassis Kit	92.43	111.06
5	360426	Grill Kit	8.15	9.79
6	360423	Side Covers Kit	38.24	45.95
7	360235	Large Wheel Kit	67.92	81.61
8	360236	Small Wheel Kit	97.56	117.23
9	360237	Large Tires Kit	71.45	85.85
10*	360240	Debris Bag Kit (w/o collar), hook and loop fastener	70.35	84.53
11	360241	Debris Bag Collar Kit	18.60	22.35
12	360242	Vacuum Tube Kit	54.16	65.08
13	360243	Debris Valve Kit	9.24	11.10
14	360244	Sweep Hose Kit	83.36	100.17
15	360245	Sweep Hose Scrubber Kit	20.81	25.01
16	360249	Feedline Swivel Kit	77.95	93.66
17	360250	Feedline Quick Connector Kit	38.46	46.21
18	360251	Feedline Wall Connector Kit	54.56	65.56
19	360252	Feedline Connector Kit	14.74	17.71
20	360253	Drive Shaft Kit	34.99	42.04
21	LLC55PMB	Wheel Screw Kit	7.65	9.19
22*	360255	Screw Kit	16.87	20.27
23	360419	Thrust Hose Kit	19.82	23.82
24	360258	Rubber Button Kit	2.22	2.67
25	360414	Turbine Housing Kit	31.26	37.56
26	360260	Venturi Manifold Kit	23.98	28.81
27	360416	Water Management Kit	20.85	25.05
28	360420	Turbine Hose Kit	9.87	11.86
29	360417	Tune Up Kit	219.80	264.11
30	360431	Hose Assy	535.45	643.40
31	360429	Leader Hose, 2.5 Ft.	58.00	69.69
32	360430	Leader Hose 7.5 Ft.	92.26	110.86
33	360266	Hard Feedline Hose Kit, 10 Ft.	157.18	188.87
34	E24	Debris Screen	15.82	19.01
35	LL23PM	Threaded Wall Adapter	15.17	18.23
36	EB10G	Sweep Hose Wear Ring	20.00	24.03
37	360270	Feed Line Float	CALL	CALL
38*	360268	Feed Line O-Ring Kit	11.91	14.31

Item	Part No.	Description	US List	Can List
39	360428	Backup Valve Kit	139.25	167.32
40	360421	Scrubber Cover Kit	32.51	39.06
41	360418	SS Weight Kit	15.12	18.17
42	360415	Manifold Kit	64.86	77.94
43	360434	Axle Replacement Kit	54.39	65.36
44	EC64	Wheel Washer Kit	9.36	11.25
45*	360436	Sweep Hose Cap	13.03	15.66
46	360392	In-Line Filter Assembly	63.04	75.75
47*	360437	Replacement In-line Filter Screen Kit	7.79	9.36
*	360320	Quick Disconnect Hose Connector Kit	6.23	7.49
*	360318	Sweep Tail Quick Connect	4.84	5.82

INCLUDED IN RACER LS TUNE-UP KIT

29	360417	Kit Includes: Bag (1), Driveshaft (1), Wheel Bearings (4), Driveshaft Bearings (2), Scrubber Bearing (1), Large Tires (2), Scrubber (1), Small Wheel (2), Needle Bearing (2), Wheel Screws (2), 1/2" Screws (2), Hubcaps (2)	219.80	264.11
----	--------	---	--------	--------

Note: (*) Not shown

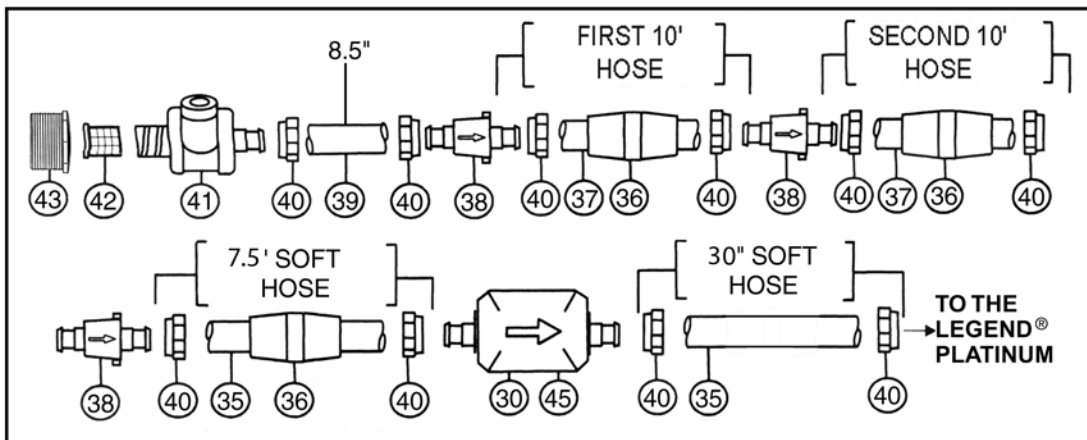
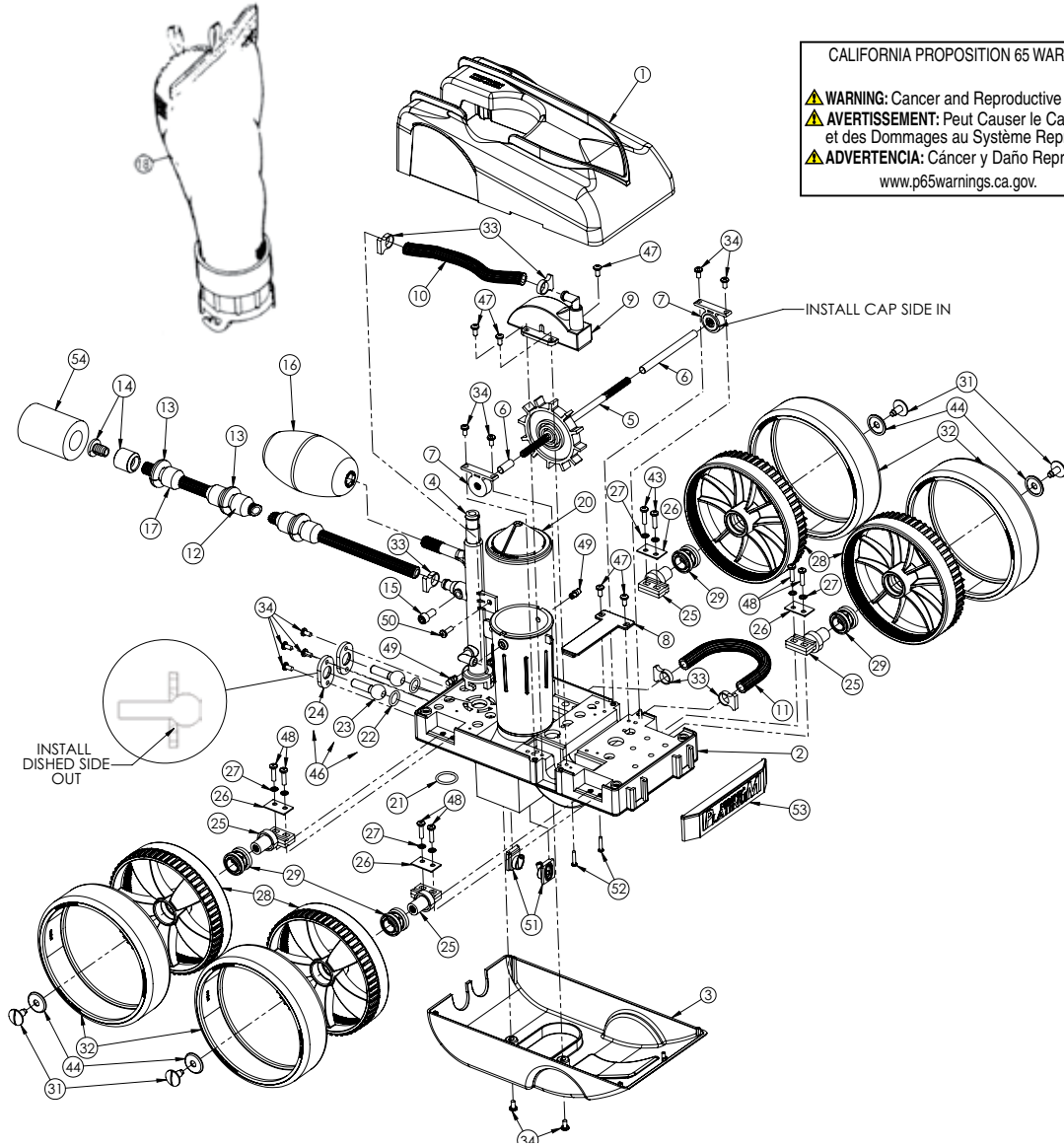
CALIFORNIA PROPOSITION 65 WARNING

▲ **WARNING:** Cancer and Reproductive Harm.
▲ **AVERTISSEMENT:** Peut Causer le Cancer et des Dommages au Système Reproducteur.
▲ **ADVERTENCIA:** Cáncer y Daño Reproductivo.

www.p65warnings.ca.gov. PA620174A

KREEPY KRAULY® PLATINUM™

CLEANER REPLACEMENT PARTS - 2012 MODEL



KREEPY KRAULY® PLATINUM™ (CONT'D)

CLEANER REPLACEMENT PARTS - 2012 MODEL

Item	Part No.	Qty.	Description	US List	Can. List
PLATINUM REPLACEMENT PARTS					
1	LLU5PM	1	Top Cover - Gray	189.76	228.02
2	LLU145N	1	Main Frame - White	2093.70	2515.79
2	LLU145NG	1	Main Frame - Gray	CALL	CALL
3	EU10N	1	Bottom Cover - White	106.70	128.21
3	LLU10NG	1	Bottom Cover - Gray	106.70	128.21
4	LLU6	1	Feed Mast with O-Ring - White	74.54	89.57
4	LLU6G	1	Feed Mast with O-Ring - Gray	90.60	108.86
5	EC86	1	Turbine Drive Shaft - Complete	58.22	69.96
6	EC83	1	Turbine Spacers	4.19	5.03
7	EC80	2	Turbine Bearings - Gray	56.97	68.46
8	EA40	1	Turbine Shaft Shield - White	12.82	15.40
8	LLA40G	1	Turbine Shaft - Gray	CALL	CALL
9	EC110	1	Turbine Shaft w/ Elbow - White	21.26	25.55
9	LLC110PM	1	Turbine Cover w/ Elbow - Gray	CALL	CALL
10	EX120	1	Turbine Cover Hose - 9 in. White	CALL	CALL
10	LLX120	1	Turbine Cover Hose - 9 in. - Gray	CALL	CALL
11	EC120	1	Venturi Jet - 7/3/4 in. - White	3.03	3.64
11	LLC120G	1	Venturi Jet - 7/3/4 in. - White	4.19	5.03
12	EB5L	1	Sweep Hose Complete - White	56.71	68.14
12	LLB5G	1	Sweep Hose Complete - Gray	83.70	100.57
13	EB10G	5	Sweep Hose - Wear Ring	20.00	24.03
14	EB25	1	Sweep Hose -Jet w/ Collar - White	6.00	7.21
14	LLB25PM	1	Sweep Hose - Jet w/ Collar - Gray	12.42	14.92
15	EB20	1	Sweep Hose Adj. Screw - White	4.86	5.84
15	LLB20G	1	Sweep Hose Adj. Screw - Gray	CALL	CALL
16	EA20	1	Ballast Float - White	CALL	CALL
16	LLA20G	1	Ballast Float - Gray	13.76	16.53
17	EH07	4	Sweep Hose - Hose Sleeve - White	7.80	9.37
17	LLH07PM	4	Sweep Hose - Hose Sleeve - Gray	10.57	12.70
18	EU15	1	Coarse Mesh Bag - Blue/White Collar	80.60	96.85
18	EU15G	1	Coarse Mesh Bag - Blue/Gray Collar	81.96	98.48
18	EU16	1	Fine Mesh Bag - Velcro Brand Fastner	63.26	76.01
18	EU16G	1	Fine Mesh Bag - Velcro Brand Fastner - Gray	71.99	86.50
19	360002	1	Fine Mesh Bag - White Collar	81.77	98.25
19	360009	1	Fine Mesh Bag - Gray Collar	81.78	98.27
20	EU9	1	Debris Valve	5.90	7.09
21	EU7	2	O-Ring for Feed Mast	2.55	3.06
22	E18	2	O-Ring for Thrust Jet	4.39	5.28
24	EC135	2	Thrust Jet Plates - White	8.56	10.29
24	LLC135G	2	Thrust Jet Plates - Gray	18.10	21.75
25	EC65	4	Axle - Large Wheels	8.01	9.62
26	EC70	8	Axle Plate	3.24	3.89
27	EC45	4	Axle - Lock Washer	5.20	6.25
28	370406Z	4	Wheel w/out Bearings - Gray	64.93	78.02
29	EC60	2	Wheel Bearings Only - White	31.47	37.81
30	E10	1	Back-Up Valve - White	155.74	187.14
30 *	LL10PM	1	Back-Up Valve - Gray	160.21	192.51
31	MC55G	5	Wheel Screw - Gray	CALL	CALL
32	370405Z	1	Wheel - Rubber Tire - Black	41.52	49.89
33	EB15	5	Hose Clamp	4.48	5.38

Item	Part No.	Qty.	Description	US List	Can. List
34	EC40	8	Screw	4.83	5.80
35	LLD50	1	Feed Hose - Clear soft 10 ft.	CALL	CALL
35 *	LLD50PM	1	Feed Hose - Gray soft 10 ft.	84.06	101.01
36	ED10P	10	Float For Feed Hose - White	11.03	13.25
36 *	LLD10PM	10	Float For Feed Hose - Gray	13.57	16.31
37	LLD45	2	Feed Hose - 10 ft. - White	47.47	57.04
37 *	LLD45PM	2	Feed Hose - 10 ft. - Gray	107.82	129.56
38	ED05	2	Swivel - Feed Hose - White	24.24	29.13
38 *	LLD05PM	2	Swivel - Feed Hose - Gray	35.36	42.49
39	LLU1	1	Adapter Hose 8 1/2 in. - White	8.56	10.29
39	LLU1PM	1	Adapter Hose 8 1/2 in. - Gray	9.60	11.54
40	ED15	8	Mender Nut - plastic - White	12.67	15.22
40 *	LLD15PM	8	Mender Nut - plastic - Gray	7.79	9.36
41 *	LLW22PM	1	Wall Fitting - Gray	80.30	96.49
41	EW22	1	Wall Fitting - White	58.07	69.78
41	LL25PM	1	Pressure Relief Valve - Gray	23.56	28.31
41	E25	1	Pressure Relief Valve - White	22.76	27.35
42	E24	1	Screen - Wall Fitting	15.82	19.01
43	LL23PM	1	Quick Disconnect Adapter - Gray	15.17	18.23
43	E23	1	Quick Disconnect Adapter - White	7.65	9.19
44	EC64	2	Wheel - Plastic Washer	9.36	11.25
45	EG15	1	Gears - for Back-Up Valve	132.97	159.78
46	360127	1	Thrust Jet Repair Kit includes: (White) E18, EC130, EC135	CALL	CALL
46	360128	1	Thrust Jet Repair Kit includes: (Gray) E18, EC130G, LLC135G	CALL	CALL
47	EA30	5	Screw for EA40 or LLA40G and EC110 or LLC110PM	3.54	4.25
48	EU76	8	Axle Bolt	5.15	6.19
49	EU147	2	Snap Fit Vac Tube Posts - White	9.43	11.33
49	LLU147G	2	Snap Fit Vac Tube Posts - Gray	10.16	12.21
50	EU79	1	Nut & Bolt - Feed Mast to Vac Tube	9.09	10.92
51	EU80	2	Venturi Jet - White	7.53	9.05
51	LLU8G	2	Venturi Jet - Gray	22.87	27.48
52	EU80	2	Screw - Cover to Frame	7.53	9.05
53	LLU81PM	1	Front Bumper - White	38.67	46.47
53	LLU81PMG	1	Front Bumper - Gray	46.15	55.45
54	370017	1	Sweep Hose - Scrubber	4.96	5.96
NOT SHOWN					
	JVP8		Pressure Stick w/o Gauge	48.46	58.23
	15060-0000T		Pressure Gauge for JVP8	66.47	79.87
	LL209		Complete Hose Kit, White	519.59	624.34
	LL209PMG		Complete Hose Kit, Gray	948.96	1140.27

* Recommended for stock.

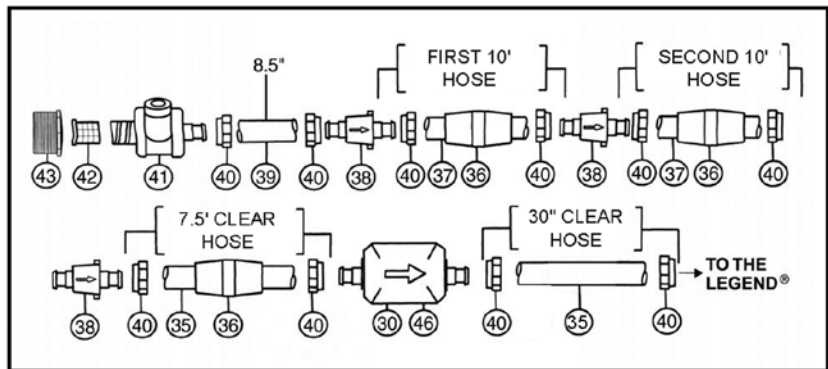
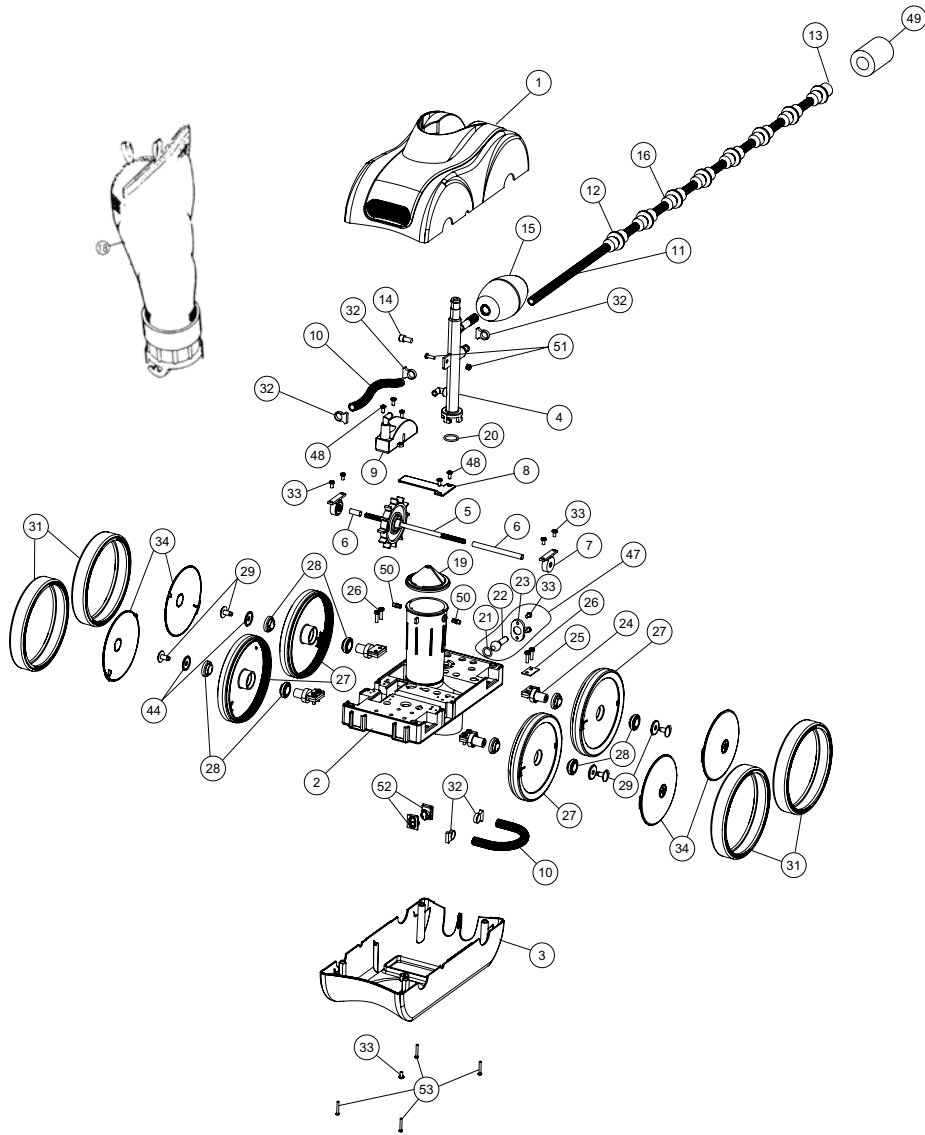
CALIFORNIA PROPOSITION 65 WARNING

⚠ **WARNING:** Cancer and Reproductive Harm.
⚠ **AVERTISSEMENT:** Peut Causer le Cancer et des Dommages au Système Reproducteur.
⚠ **ADVERTENCIA:** Cáncer y Daño Reproductivo.

www.p65warnings.ca.gov
P65007A

KREEPY KRAULY® LEGEND®

LL505G AND LL505GG CLEANER REPLACEMENT PARTS



CALIFORNIA PROPOSITION 65 WARNING

⚠ **WARNING:** Cancer and Reproductive Harm.
 ⚠ **AVERTISSEMENT:** Peut Causer le Cancer et des Dommages au Système Reproducteur.
 ⚠ **ADVERTENCIA:** Cáncer y Daño Reproductivo.
www.p65warnings.ca.gov

KREEPY KRAULY® LEGEND® (CONT'D)

LL505G AND LL505GG CLEANER REPLACEMENT PARTS

Item	Part No.	Qty.	Description	US List	Can List
LEGEND 4 WHEEL REPLACEMENT PARTS					
1	360003	1	Top Cover	140.26	168.54
2	LLU145N	1	Main Frame	2093.70	2515.79
2	360010	1	Main Frame - Gray	1650.80	1983.60
3	360004	1	Bottom Cover	102.59	123.27
3	360011	1	Bottom Cover - Gray	102.63	123.32
4	LLU6	1	Feed Mast w/ O-Ring - White	74.54	89.57
4	LLU6G	1	Feed Mast w/ O-Ring - Gray	90.60	108.86
5	EC86	1	Turbine Drive Shaft - Complete	58.22	69.96
6	EC83	2	Turbine Spacers	4.19	5.03
7	EC80	2	Turbine Bearings	56.97	68.46
8	EA40	1	Turbine Shaft Shield	12.82	15.40
9	EC110	1	Turbine Cover w/ Elbows	21.26	25.55
10	EC120	2	Turbine/Venturi Hose 7-3/4 in. length	3.03	3.64
10	LLC120G	2	Turbine/Venturi Hose 7-3/4 in. length - Gray	4.19	5.03
11	EB5L	1	Sweep Hose - Complete	56.71	68.14
11	LLB5G	1	Sweep Hose - Complete - Gray	83.70	100.57
12	EB10	9	Sweep Hose - Wear Ring	19.99	24.02
13	EB25	1	Sweep Hose - Jet w/ Collar	6.00	7.21
13	LLB25PM	1	Sweep Hose - Jet w/ Collar - Gray	12.42	14.92
14	370198	1	Sweep Hose - Adjustment Screw	4.60	5.53
15	EA20	1	Ballast Float	9.48	11.39
15	LLA20G	1	Ballast Float - Gray	13.76	16.53
16	EH07	1	Sweep Hose - Hose Sleeve	7.80	9.37
16	LLH07PM	4	Sweep Hose - Hose Sleeve - Gray	10.57	12.70
17	EU15	1	Coarse Mesh Bag - Blue (Optional - not shown)	80.60	96.85
17	EU15G	1	Coarse Mesh Bag - Blue/Gray Collar (Optional - not shown)	81.96	98.48
18	360002	1	Fine Mesh Bag - Mechanical Lock	81.77	98.25
18	360009	1	Fine Mesh Bag - Gray - Mechanical Lock	81.78	98.27
18	EU16	1	Fine Mesh Bag - Velcro Brand Fastener	63.26	76.01
18	EU16G	1	Fine Mesh Bag - Velcro Brand Fastener - Gray	71.99	86.50
19	EU9	1	Debris Valve	5.90	7.09
20	EU7	1	O-Ring for Feed Mast	2.55	3.06
21	E18	1	O-Ring for Thrust Jet	4.39	5.28
22	EC130	1	Thrust Jet	20.12	24.18
23	EC135	1	Thrust Jet - Plate	8.56	10.29
23	LLC135G	1	Thrust Jet - Plate - Gray	18.10	21.75
24	EC65	4	Axle - Large Wheels	8.01	9.62
25	EC70	4	Axle Plate	3.24	3.89
26	370258Z	8	Axle Screw w/ Lock Washer	7.83	9.41
27	360006	4	Wheel w/out Bearings	24.82	29.82
28	EC60	8	Wheel Bearings - Only	31.47	37.81
29	EC55	4	Wheel Screw Plastic	15.93	19.14
29	LLC55PM	4	Wheel Screw Plastic - Gray	17.29	20.78
30	E10	1	Back-up Valve	155.74	187.14
30	LL10PM	1	Back-up Valve - Gray	160.21	192.51
31	360007	4	Wheel - Rubber Tire	20.44	24.56
31	360012	4	Wheel - Gray Tire	20.42	24.54
32	EB15	5	Hose Clamp	4.48	5.38
33	EC40	7	Screw	4.83	5.80

Item	Part No.	Qty.	Description	US List	Can List
34	360005	4	Hub Cap	7.30	8.77
34	360013	4	Hub Cap - Gray	7.30	8.77
35	LD50	1	Feed Hose - Soft - 10 ft.	CALL	CALL
35	LLD50PM	1	Feed Hose - Gray Soft - 10 ft.	84.06	101.01
36	ED10P	10	Float - Feed Hose	11.03	13.25
36	LLD10PM	10	Float - Feed Hose - Gray	13.57	16.31
37	LD45	2	Feed Hose - White - 10 ft.	49.08	58.97
37	LLD45PM	2	Feed Hose - Gray - 10 ft.	107.82	129.56
38	ED05	2	Swivel - Feed Hose	24.24	29.13
38	LLD05PM	2	Swivel - Feed Hose - Gray	35.36	42.49
39	LLU1	1	Adapter Hose - White 8-1/2 in.	8.56	10.29
39	LLU1PM	1	Adapter Hose - White 8-1/2 in. - Gray	9.60	11.54
40	ED15	8	Mender Nut - Plastic - Feed Hose	12.67	15.22
40	LLD15PM	8	Mender Nut - Plastic - Feed Hose - Gray	7.79	9.36
41	EW22	1	Wall Fitting Complete	58.07	69.78
41	LLW22PM	1	Wall Fitting - Gray Complete	80.30	96.49
41	E25	1	Pressure Relief Valve - White	22.76	27.35
41	LL25PM	1	Pressure Relief Valve - Gray	23.56	28.31
42	E24	1	Screen - Wall Fitting	15.82	19.01
43	E23	1	Quick Disconnect Adapter	7.65	9.19
43	LL23PM	1	Quick Disconnect Adapter - Gray	15.17	18.23
44	EC64	4	Wheel - Plastic Washer	9.36	11.25
-	EH09C	1	Sweep Hose Weight (Optional - not shown)	24.81	29.81
46	EG15	1	Gears - for Back-Up Valve	132.97	159.78
47	EC131	1	Thrust Jet Repair Kit - Includes: EC130, EC135 and E18	10.40	12.50
47	360014	1	Thrust Jet Repair Kit - Includes: EC130, LLC135 and E19	37.00	44.46
48	EA30	5	Screw for EA40 and EC110	3.54	4.25
49	370017	1	Sweep Hose - Scrubber	4.96	5.96
50	EU147	2	Snap Fit Vac Tube Posts	9.43	11.33
50	LLU147G	2	Snap Fit Vac Tube Posts - Gray	10.16	12.21
51	EU79	1	Nut & Bolt - Feed Mast to Vac Tube	9.09	10.92
52	LLU8	2	Venturi Jets	18.68	22.45
52	LLU8G	2	Venturi Jets - Gray	22.87	27.48
53	EU80	4	Screw - Top and Bottom Cover	7.53	9.05

ACCESSORIES

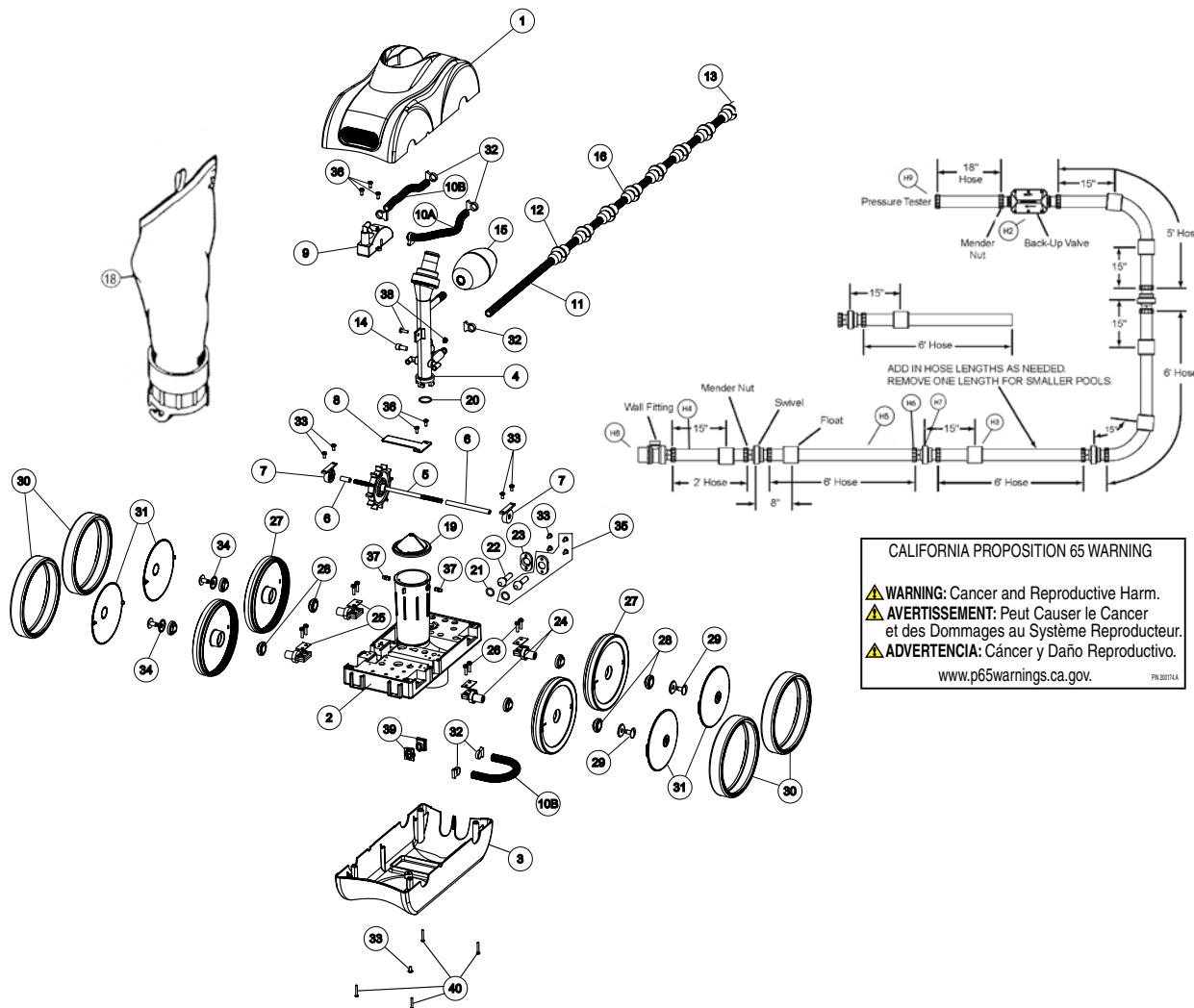
	EH09C	1	Sweep Hose Weight (Optional)	24.81	29.81
	LL209	1	Legend Hose Kit	519.59	624.34
	370017		Sweep Hose Scrubber	4.96	5.96
	JVP8		Pressure Stick w/o Gauge	48.46	58.23
	15060-0000T		Pressure Gauge	66.47	79.87
	EU13		Step Deflector	122.76	147.51

CALIFORNIA PROPOSITION 65 WARNING

⚠️ WARNING: Cancer and Reproductive Harm.
⚠️ AVERTISSEMENT: Peut Causer le Cancer
 et des Dommages au Système Reproducteur.
⚠️ ADVERTENCIA: Cáncer y Daño Reproductivo.
www.p65warnings.ca.gov

KREEPY KRAULY® LEGEND® II

LX5000G AND LX5000GG CLEANER REPLACEMENT PARTS



CALIFORNIA PROPOSITION 65 WARNING

⚠️ **WARNING:** Cancer and Reproductive Harm.
 ⚠️ **AVERTISSEMENT:** Peut Causer le Cancer et des Dommages au Système Reproducteur.
 ⚠️ **ADVERTENCIA:** Cáncer y Daño Reproductivo.

www.p65warnings.ca.gov. P650714

Item	Part No.	Qty.	Description	US List	Can. List
KREEPY KRAULY LEGEND II REPLACEMENT PARTS					
1	360003	1	Top Cover	140.26	168.54
2	LXU145N	1	Main Frame	CALL	CALL
2	360016	1	Main Frame Gray	1907.80	2292.41
3	360004	1	Bottom Cover	102.59	123.27
3	360011	1	Bottom Cover Gray	102.63	123.32
4	LXU6	1	Feed Mast w/ O-Ring & Swivel Gray	80.08	96.22
4	360017	1	Feed Mast w/ O-Ring & Swivel	84.51	101.55
5	EC86	1	Turbine Drive Shaft - Complete	58.22	69.96
6	EC83	2	Turbine Spacers	4.19	5.03
7	EC80	2	Turbine Bearings	56.97	68.46
8	EA40	1	Turbine Shaft Shield	12.82	15.40
9	LXC110	1	Turbine Cover w/Elbows	37.24	44.75
10A & B	EC120	2 & 1	Turbine/Venturi Hose 7-3/4 in. length	3.03	3.64
10A & B	LLC120G	2 & 1	Turbine/Venturi Hose 7-3/4 in. length - Gray	4.19	5.03

Item	Part No.	Qty.	Description	US List	Can. List
11	EB5L	1	Sweep Hose - Complete	56.71	68.14
11	LLB5G	1	Sweep Hose - Complete - Gray	83.70	100.57
12	EB10	9	Sweep Hose - Wear Ring	19.99	24.02
13	EB25	1	Sweep Hose - Jet w/Collar	6.00	7.21
13	LLB25PM	1	Sweep Hose - Jet w/Collar - Gray	12.42	14.92
14	370198	1	Sweep Hose Adjustment Screw	4.60	5.53
15	EA20	1	Ballast Float	9.48	11.39
15	LLA20G	1	Ballast Float - Gray	13.76	16.53
16	EH07	4	Sweep Hose - Hose Sleeve	7.80	9.37
16	LLH07PM	4	Sweep Hose - Hose Sleeve - Gray	10.57	12.70
17	EU15	1	Coarse Mesh Bag-Blue (Optional - not shown)	80.60	96.85
17	EU15G	1	Coarse Mesh Bag - Blue/Gray Collar (Optional - not shown)	81.96	98.48

KREEPY KRAULY® LEGEND® II (CONT'D)

LX5000G AND LX5000GG CLEANER REPLACEMENT PARTS

Item	Part No.	Qty.	Description	US List	Can. List
KREEPY KRAULY LEGEND II REPLACEMENT PARTS					
18	360002	1	Fine Mesh Bag - Mechanical Lock	81.77	98.25
18	360009	1	Fine Mesh Bag Gray - Mechanical Lock	81.78	98.27
18	EU16	1	Fine Mesh Bag - Velcro Brand Fastener	63.26	76.01
18	EU16G	1	Fine Mesh Bag - Velcro Brand Fastener - Gray	71.99	86.50
19	EU9	1	Debris Valve	5.90	7.09
20	EU7	1	O-ring for Feed Mast	2.55	3.06
21	E18	1	O-ring for Thrust Jet	4.39	5.28
22	EC130	1	Thrust Jet	20.12	24.18
23	EC135	1	Thrust Jet - Plate	8.56	10.29
23	LLC135G	1	Thrust Jet - Plate - Gray	18.10	21.75
24	EC65	4	Axle - Large Wheels	8.01	9.62
25	EC70	4	Axle Plate	3.24	3.89
26	370258Z	8	Axle Screw w/ Lock Washer	7.83	9.41
27	360006	4	Wheel w/o Bearings	24.82	29.82
28	EC60	8	Wheel Bearings - Only	31.47	37.81
29	EC55	4	Wheel Screw - Plastic	15.93	19.14
29	LLC55PM	4	Wheel Screw - Plastic - Gray	17.29	20.78
30	360007	4	Wheel - Rubber Tire	20.44	24.56
30	360012	4	Wheel - Gray Tire	20.42	24.54
31	360005	4	Hub Cap	7.30	8.77
31	360013	4	Hub Cap - Gray	7.30	8.77
32	EB15	7	Hose Clamp	4.48	5.38
33	EC40	7	Screw	4.83	5.80
34	EC64	4	Wheel - Plastic Washer	9.36	11.25
35	EC131	1	Thrust Jet Repair Kit, includes: EC130, EC135 and E18	10.40	12.50
35	360014	1	Thrust Jet Repair Kit - Gray, includes: EC130, LLC135 and E19	37.00	44.46
36	EA30	5	Screw for EA40 and LXC110	3.54	4.25
37	EU147	2	Snap Fit Vac Tube Posts	9.43	11.33
37	LLU147G	2	Snap Fit Vac Tube Posts - Gray	10.16	12.21
38	EU79	1	Nut & Bolt - Feed Mast to Vac Tube	9.09	10.92
39	LXU8	2	Venturi Jets	32.74	39.34
40	EU80	4	Screw - Top and Bottom Cover	7.53	9.05
41	370017	1	Sweep Hose - Scrubber	4.96	5.96
-	EH09C	1	Sweep Hose Weight (Optional - not shown)	24.81	29.81

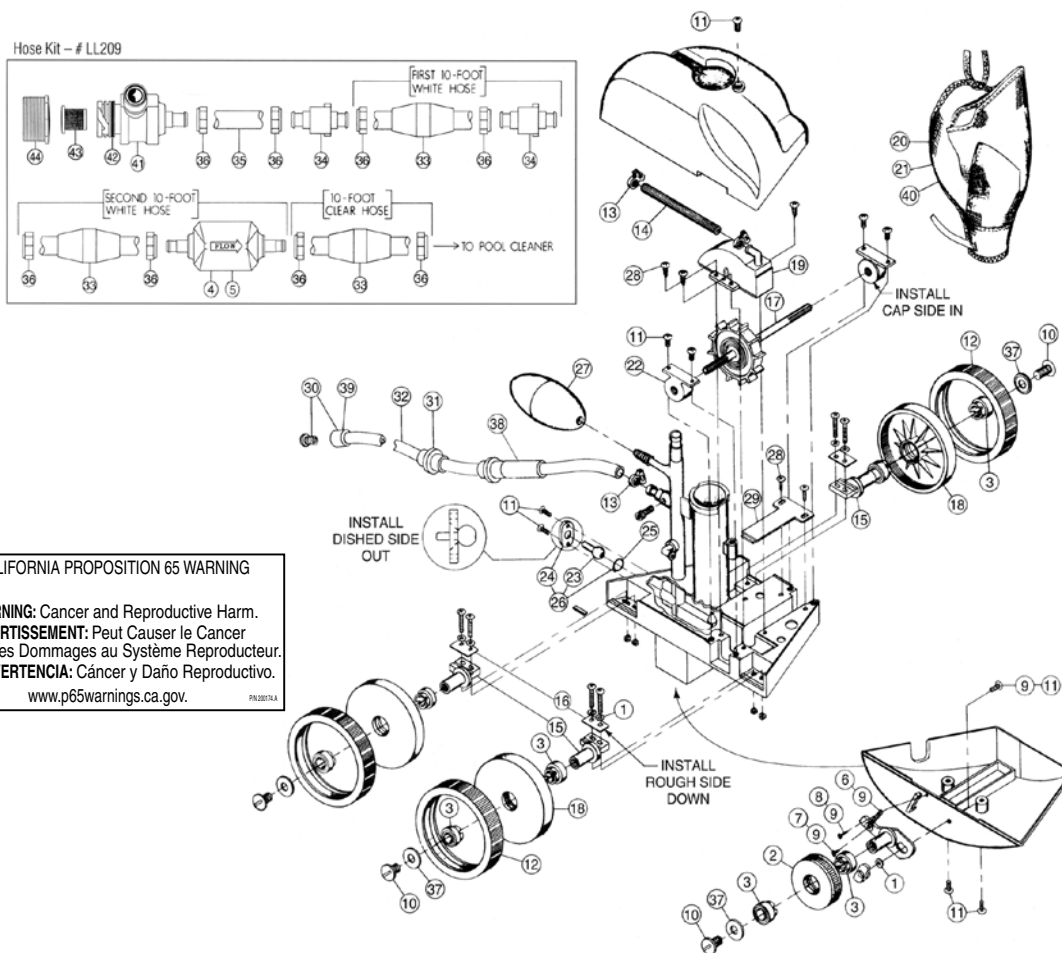
Item	Part No.	Qty.	Description	US List	Can. List
LX10 REPLACEMENT PARTS					
H2	LX10	1	Back-Up Valve - Low Pressure	160.26	192.57
H2	360018	1	Back-Up Valve - Low Pressure - Gray	156.42	187.95
H2	E15	6	Back-Up Valve - Screw Housing Body	8.29	9.96
Inside H2	E13	1	Back-Up Valve - Housing O-Ring	2.55	3.06
Inside H2	E14	1	Back-Up Valve - O-Ring Gear Assembly	2.55	3.06
Inside H2	LX16	1	Back-Up Valve - Gear Assembly	132.97	159.78
H3	LXD10	7	Feed Hose Float - White	9.83	11.81
H3	360019	7	Feed Hose Float - Gray	24.38	29.30
H4	LX18	1	Feed Hose - White - 2 ft. Section	17.79	21.38
H4	360021	1	Feed Hose - Gray - 2 ft. Section	17.79	21.38
H5	LX17	4	Feed Hose - White - 6 ft. Section	40.35	48.48
H5	360020	4	Feed Hose - Gray - 6 ft. Section	49.30	59.24
H6	LX20	12	Feed Hose Mender - White w/ O-ring #0252	9.84	11.82
H6	360022	12	Feed Hose Mender - Gray w/ O-ring #0253	21.21	25.49
H7	LX19	4	Feed Hose Swivel - White	31.47	37.81
H7	360023	4	Feed Hose Swivel - Gray	78.99	94.91
H8	LXW22	1	Wall Fitting Complete - White	48.79	58.63
H8	360024	1	Wall Fitting Complete - Gray	57.18	68.71
Inside H8	E23	1	Wall Fitting Adapter - White	7.65	9.19
Inside H8	LL23PM	1	Wall Fitting Adapter - Gray	15.17	18.23
Inside H8	E21	2pk	Wall Fitting O-ring	6.18	7.43
Inside H8	E24	1	Wall Fitting Screen	15.82	19.01
Inside H8	LX25	1	Wall Fitting - Valve Assembly - White	22.87	27.48
Inside H8	360025	1	Wall Fitting - Valve Assembly - Gray	49.11	59.01
H9	LX26	1	Pressure Tester	34.55	41.52
ACCESSORIES					
	EH09C	1	Sweep Hose Weight (optional)	24.81	29.81
	LX509		Feed Hose Complete - Gray	CALL	CALL
	LX209		Feed hose Complete - White	773.03	928.87

CALIFORNIA PROPOSITION 65 WARNING

⚠️ **WARNING:** Cancer and Reproductive Harm.
 ⚠️ **AVERTISSEMENT:** Peut Causer le Cancer et des Dommages au Système Reproducteur.
 ⚠️ **ADVERTENCIA:** Cáncer y Daño Reproductivo.

www.p65warnings.ca.gov. PK320714

PENTAIR REPLACEMENT PARTS FOR POLARIS® POOL CLEANERS



CALIFORNIA PROPOSITION 65 WARNING
 ⚠️ **WARNING:** Cancer and Reproductive Harm.
 ⚠️ **AVERTISSEMENT:** Peut Causer le Cancer et des Dommages au Système Reproducteur.
 ⚠️ **ADVERTENCIA:** Cáncer y Daño Reproductivo.
www.p65warnings.ca.gov

Item	Pentair Part No.	Polaris Part No.	Qty.	Description	US List	Can. List
REPLACEMENT PARTS FOR POLARIS						
1	EC45	C45	5	Lock Washer for LC36	5.20	6.25
2	EC16	C16		Small Wheel - Swing Axle	14.82	17.81
3	EC60	C60	2	Ball Bearing	31.47	37.81
4	E10	G52		Back-up Valve	155.74	187.14
5	EG15	N/A		Gear Assembly - B/U Valve	132.97	159.78
6	EC25	C25	2	Spring for LC36	4.39	5.28
7	EC30	C30	5	Screw for EC25 to Axle	3.54	4.25
8	EC32	C32	5	Screw for EC25 to Body	3.54	4.25
9	EC36H	N/A		Hardware Kit For LC36	CALL	CALL
10	EC55	C55	5	Wheel Screw	15.93	19.14
11	EC40	C40	10	Screw for A5/A10/C36/C80/C130	4.83	5.80
12	EC10	C10		Tire for LC6	27.23	32.72
13	EB15	B15	2	Clamp for Sweep Hose	4.48	5.38
14	EC120	C120		Hose for EC110, 7-3/4 in. Length	3.03	3.64

Item	Pentair Part No.	Polaris Part No.	Qty.	Description	US List	Can. List
15	EC65	C65		Axle - Large (Rear)	8.01	9.62
16	EC70	C70		Axle Plate	3.24	3.89
17	EC86	C86		Drive Shaft - Assembled	58.22	69.96
18	LC6	C6		Wheel - Large	24.59	29.55
19	EC110	C110		Turbine Cover w/ Elbow	21.26	25.55
20	LA16	A16		Sand/Silt Bag	51.73	62.16
21	LA15	A15		Leaf Bag	80.60	96.85
22	EC80	C80	2	Ball Bearings - Turbine	56.97	68.46
23	EC130	N/A	2	Thrust Jet	20.12	24.18
24	EC135	N/A	2	Jet Plate	8.56	10.29
25	E18	N/A	2	O-Ring for EC130	4.39	5.28
26	EC131	C131		Thrust Jet Repair Kit	10.40	12.50
27	EA20	A20		Ballast Float (White)	9.48	11.39
28	EA30	A30	5	Screw for EA40	3.54	4.25
29	EA40	A40		Turbine Shaft Shield	12.82	15.40
30	EB25	B25		Sweep Hose Jet with Collar	6.00	7.21

PENTAIR REPLACEMENT PARTS (CONT'D)

FOR POLARIS® POOL CLEANERS

Item	Pentair Part No.	Polaris Part No.	Qty.	Description	US List	Can. List
REPLACEMENT PARTS FOR POLARIS						
31	EB10	B10	5	Wear Ring	19.99	24.02
32	EB5L	B5		Sweep Hose - Complete	56.71	68.14
33	ED10P	D10		Float for Feed Hoses	11.03	13.25
34	ED05	D20		Swivel Feed Hose	24.24	29.13
35	LLU1	N/A		Adapter Hose - White 8-1/2 in.	8.56	10.29
36	ED15	D15	2	Mender Nut	12.67	15.22
37	EC64	C64	2	Wheel Washer	9.36	11.25
38	EH09C	B2		Wheel Sweep Hose	24.81	29.81
39	LB03	N/A		Collar Hose Jet	4.68	5.62
40	LG45	G45	4	Disposable Sand/Silt Bag	CALL	CALL
41	EW22	9-100-9001		Wall Fitting - Complete	58.07	69.78
42	E21		2	O-Ring for EW22 Wall Fitting	6.18	7.43
43	E24			Screen for Wall Fitting	15.82	19.01
44	E23	6-500-00		Wall Fitting Quick Disconnect Adapter	7.65	9.19
	LD24	D24	4	O-Ring for LD22 & LD23	3.43	4.12
TUNE-UP KIT - L205P						
	L205P	A49		Kit includes	352.17	423.17
	LC6	C6	3	Wheel Large	24.59	29.55
	EC60	C60	4	Ball Bearing - 2-Pk	31.47	37.81
	EC10	C10	3	Rubber Tire	27.23	32.72
	EC65	C65	3	Axle - Large (Rear)	8.01	9.62
	EC16	C16	1	Small Wheel - Swing Axle	14.82	17.81
	EC80	C80	1	Ball Bearings - Turbine - 2-Pk	56.97	68.46
	EC86	C86	1	Turbine Shaft	58.22	69.96
	EC55	C55	1	Wheel Screw - 5-Pk	15.93	19.14
NOT SHOWN						
	JVP8			Pressure Stick w/o Gauge	66.47	79.87
	15060-0000T			Pressure Gauge for JVP8	25.24	30.33
	LC36		1	Axle Swing with T-Bracket	74.86	89.95
	353020	P17	1	Quick Disc Hose Kit, Pump	4.96	5.96
	370017	9-100-3105	1	Sweep Hose, Scrubber - (380/360/280/180)	59.52	71.52
	370024	K16	1	Bag Conversion Kit, w/ Bag - All Purpose	58.34	70.10
	370025	9-100-1014	1	Bag Conversion Kit, w/ Bag - All Purpose (380/360)	47.83	57.47
	370058	N/A	1	UWF Installation Tool	11.22	13.48
	370059	N/A	1	Bag Adaptor - (380/360) ¹	12.71	15.27
	370060	N/A	1	Bag Adaptor - (280) ¹	13.67	16.43
	370073	6-504-00	1	Filter Screen, UWF/QD - (380/360/280/180)	8.52	10.24
	370112	D23	1	Quick Disc Plug NPTM, Plastic	CALL	CALL
	370161	C66	1	Axle LG Wheel - (280/180)	23.84	28.65
	370163	D26	1	Quick Disc FEM, Plastic	16.45	19.77
	370165	G9	1	Coupling, 1-1/2 NPTF X 3/4 in. NPTM - (380/280/180)	CALL	CALL
	370168	P5	1	Volute, Booster Pump	36.15	43.44
	370169	9-100-1132	1	Drive Train Gear Kit (380/360)	43.37	52.11
	370170	9-100-1139	1	Axle Block Kit, Front & Rear - (380/360)	42.11	50.60

Item	Pentair Part No.	Polaris Part No.	Qty.	Description	US List	Can. List
	370171	9-100-1103	1	Turbine Wheel with Bearing (380/360)	23.36	28.07
	370173	9-100-7003	1	Feed Pipe w/o Timer - (380)	CALL	CALL
	370174	P15	1	Impeller 3/4 HP, Pump	CALL	CALL
	370176	9-100-1114	1	Hub Cap - (380/360/340)	2.31	2.78
	370177	9-100-3135	1	Collar, Bag Tie - (360)	5.19	6.24
	370178	9-100-1008	1	Wheel, Double-Side - (380/360)	24.81	29.81
	370179	9-100-1116	1	Wheel, Single-Side - (380/360)	20.26	24.34
	370180	9-100-1007	1	Transfer Pulley Drive Shaft Assy. - (380/360)	37.97	45.62
	370184	K15	1	Leaf Bag - (280) ²	80.60	96.85
	370185	9-100-1012	1	Leaf Bag - (380/360) ³	80.60	96.85
	370186	9-100-5107	2	E-Clip SS - (380/360)	2.06	2.48
	370187	P20	1	Plug 1/8 in. NPTM, Pump	3.89	4.67
	370189	9-100-3103	1	Feed Hose 1FT - (360)	7.58	9.11
	370198	B20	1	Adj Screw Sweep Hose - (380/360/280/180)	4.60	5.53
	E25	9-100-9002	1	Pressure Relief Valve - (380/280/180)	22.76	27.35
	EC83	C83	1	Turbine Shaft Tube - (280/180)	4.19	5.03
	EH07	N/A	4	Sweep Hose, Sleeves	7.80	9.37
	LA115	P65	2	Bolt SS, Stand to Bracket And Motor	5.44	6.54
	LA125	P25	2	Nut/Bolt SS For Volute to Bracket	5.23	6.28
	LA45	A45	1	Float Arm Repair Kit - (180)	33.71	40.51
	LBB91001108	9-100-1108	2	Wheel Bearing - (380/360/340)	14.82	17.81
	LC115	C115	2	Elbow for Turbine Cvr or Feed Mast Tube	12.67	15.22
	LC36	C36	1	Swing Axle Kit (280/180)	25.24	30.33
	LD45	D45	1	Feed Hose, 10 ft. Wht - (380/280/180)	49.08	58.97
	LD50	D50	1	Leader Feed Hose Cir 10 ft. - (380/280/180)	CALL	CALL
	LL209	G5	1	Feed Hose Compl, with Back-Up Valve	519.59	624.34
	LX10	9-100-1200	1	Back-Up Valve - (360)	160.26	192.57
	LX17	9-100-3102	1	Feed Hose 6Ft - (360)	40.35	48.48
	LX19	9-100-3002	1	Swivel Hose - (360)	31.47	37.81
	LX20	9-100-3109	2	Hose Nut - (360)	9.84	11.82
	LXW22	9-100-3006 9-100-3009	1	Quick Disconnect UWF with Pressure Relief Valve - (360)	48.79	58.63
	370239	P133	4	Quick Connect Fittings for Booster Pump	48.62	58.42

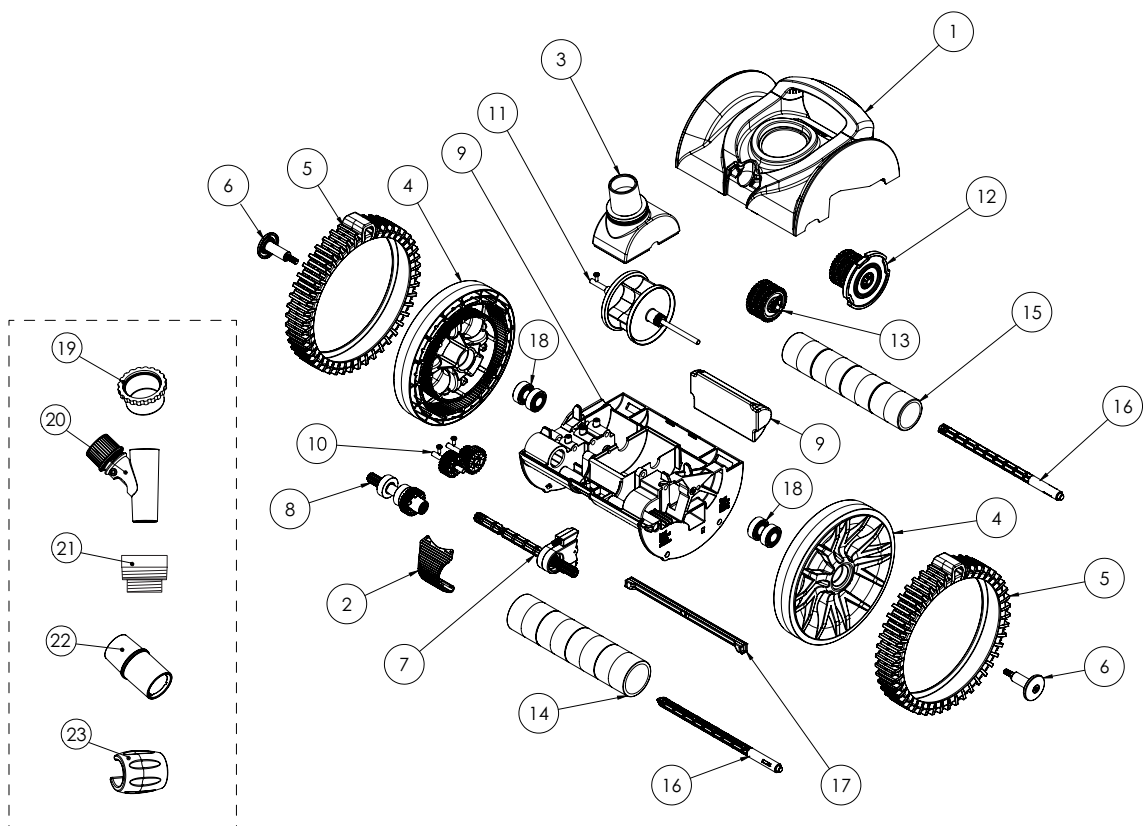
¹ Required to adapt Pentair Bag to 380/360 Includes Debris Valve.

² Requires Bag Conversion Kit 370060 on initial replacement conversion kit.

³ Requires Bag 370059 on initial replacement.

Note: These parts are manufactured by Pentair Water Pool and Spa, Inc. as replacements for designated Zodiac Pool Systems, Inc. ("Zodiac") products. Polaris® is a registered trademark of Zodiac.

PENTAIR REBEL® CLEANER REPLACEMENT PARTS

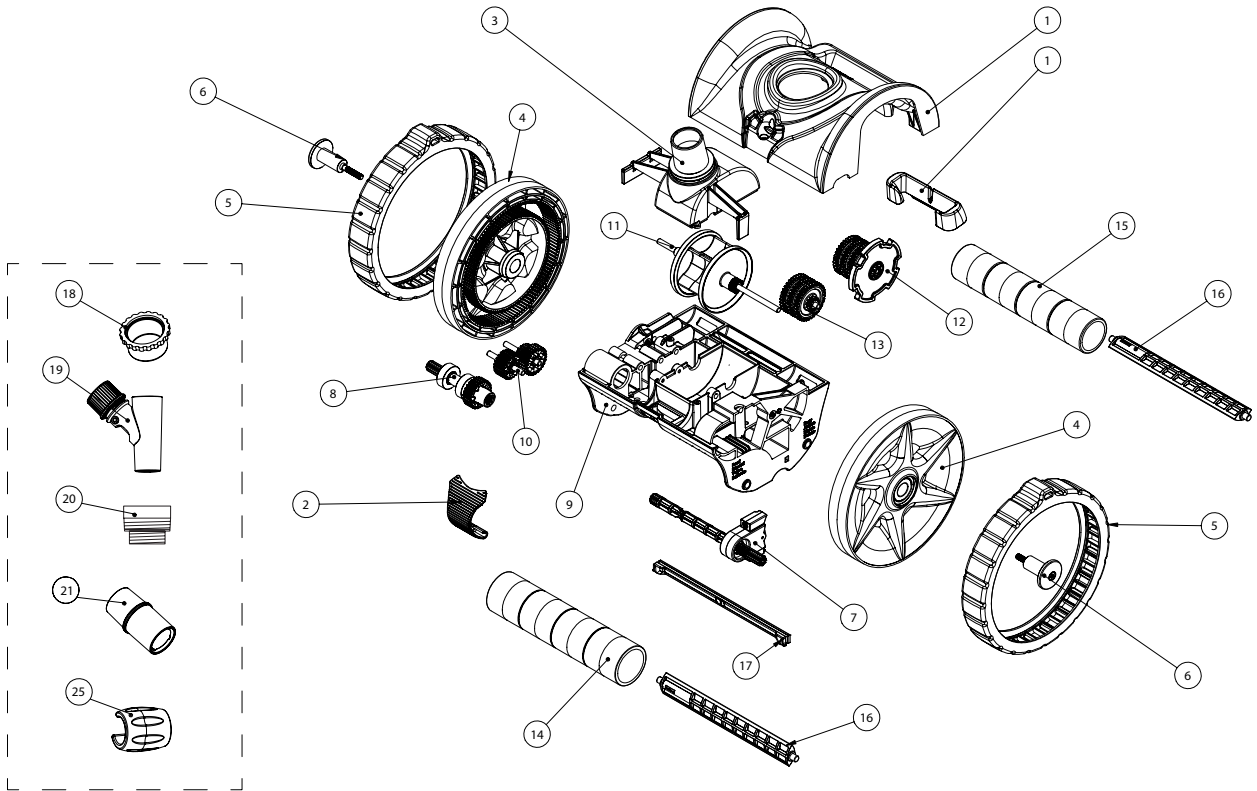


Item	Part No.	Qty.	Description	US List	Can. List
PENTAIR REBEL REPLACEMENT PARTS					
1	360477	1	Top Cover Kit	89.71	107.80
2	360284	1	Buckle Kit	11.93	14.34
3	360453	1	Swivel Kit	41.79	50.21
4	360480	1	Wheel Kit	78.05	93.78
5	360482	1	Tire Kit	105.32	126.55
6	360483	1	Wheel Hub Kit	31.36	37.68
7	360289	1	Left Drive Kit	54.64	65.66
8	360290	1	Right Drive Kit	62.48	75.08
9	360485	1	Chassis Kit	113.24	136.07
10	360292	1	Drive Gear Kit	17.67	21.23
11	360293	1	Turbine Kit	45.90	55.15
12	360294	1	Cam Kit	23.55	28.30
13	360295	1	Cam Gear Kit	23.55	28.30
14	360296	1	Front Roller Kit	54.64	65.66
15	360297	1	Rear Roller Kit	46.99	56.46
16	360487	1	Roller Bar Kit	39.18	47.08
17	360299	1	Wear Bar Kit	CALL	CALL
18	360492	1	Bearing Kit	40.99	49.25
19	41200-0211	1	Valve Cap	CALL	CALL

Item	Part No.	Qty.	Description	US List	Can. List
20	412-0213	1	Regulator Valve	CALL	CALL
21	K12079	1	Threaded Compression Adaptor	16.16	19.42
22	41200-0212	1	Flow Gauge	42.48	51.04
23	360300	1	Hose Float	CALL	CALL
NOT SHOWN					
	GW9530	1	Vacuum Line Door	80.61	96.86
	41201-0236	2	Eyeball Diverter	0.69	0.83
	K12465	1	Hose Protector	12.14	14.59
	K01213	1	Hose Set	350.12	420.70
	360488	1	Leader Hose Replacement	66.35	79.73
	360490		Large Hump Tire	111.25	133.68
	360491		Long Run Cam	CALL	CALL
	360517		Rebel Cleaner Tune-Up Kit (includes items 4, 5, 6, 7 8 & 18)	217.97	261.91

PENTAIR REBEL® 2018 AND EARLIER MODELS

CLEANER REPLACEMENT PARTS



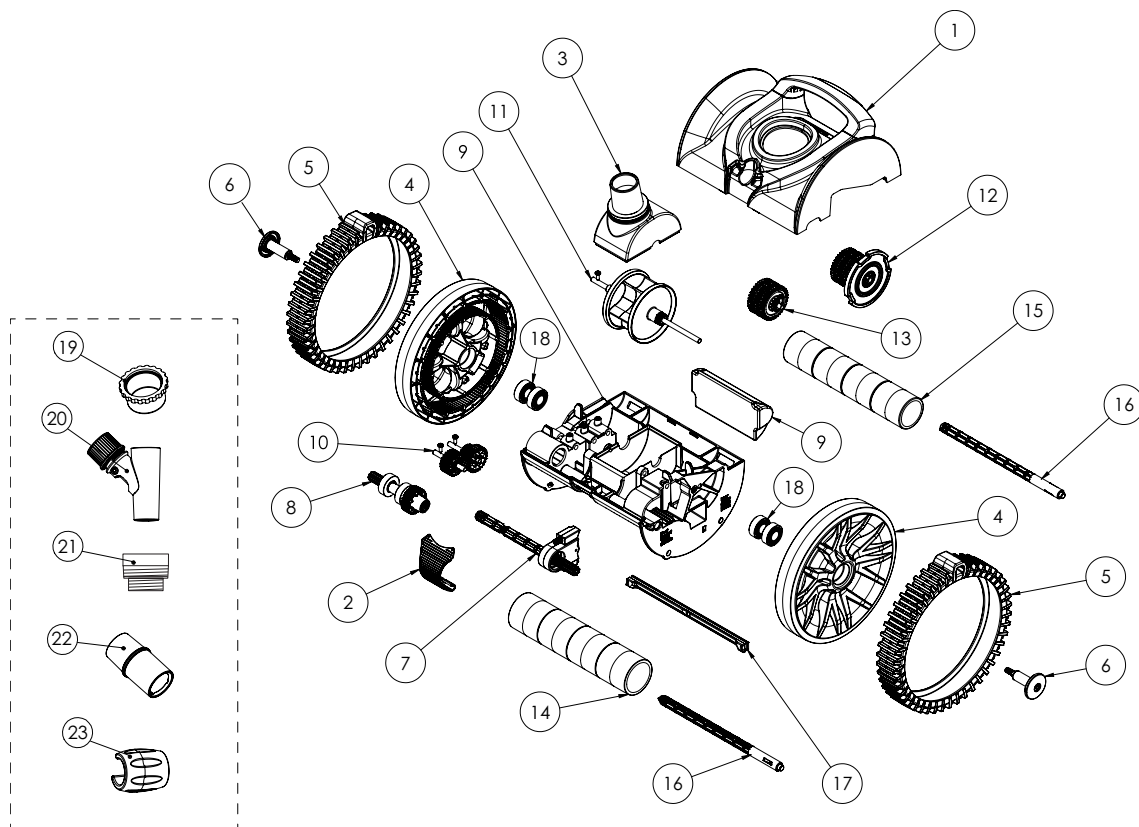
Item	Part No.	Qty.	Description	US List	Can. List
PENTAIR REBEL REPLACEMENT PARTS					
1	360283	1	Top Cover Kit	89.71	107.80
2	360284	1	Buckle Kit	11.93	14.34
3	360285	1	Swivel Kit	CALL	CALL
4	360286	1	Wheel Kit	78.07	93.81
5	360287	1	Tire Kit	105.34	126.58
6	360288	1	Wheel Hub Kit	31.36	37.68
7	360289	1	Left Drive Kit	54.64	65.66
8	360290	1	Right Drive Kit	62.48	75.08
9	360291	1	Bottom Cover Kit	214.09	257.25
10	360292	1	Drive Gear Kit	17.67	21.23
11	360293	1	Turbine Kit	45.90	55.15
12	360294	1	Cam Kit	23.55	28.30
13	360295	1	Cam Gear Kit	23.55	28.30
14	360296	1	Front Roller Kit	54.64	65.66
15	360297	1	Rear Roller Kit	46.99	56.46
16	360298	1	Roller Bar Kit	39.19	47.09
17	360299	1	Wear Bar Kit	CALL	CALL

Item	Part No.	Qty.	Description	US List	Can. List
18	41200-0211	1	Valve Cap	CALL	CALL
19	41200-0213	1	Regulator Valve	83.70	100.57
20	K12079	1	Threaded Compression Adaptor	16.16	19.42
21	41200-0212	1	Flow Gauge	42.48	51.04
25	360300	1	Hose Float	CALL	CALL
NOT SHOWN					
22	GW9530	1	Vacuum Line Door	80.61	96.86
23	41201-0236	2	Eyeball Diverter	0.69	0.83
24	K12465	1	Hose Protector	12.14	14.59
26	K01213	1	Hose Set	350.12	420.70
27	GW7911	1	Leader Hose	19.95	23.97
	360326		Large Hump Tire	111.24	133.67
	360327		Long Run Cam	39.11	46.99
	360516		Rebel Tune-Up Kit (includes items 4, 5, 6, 7 & 8)	217.97	261.91

CALIFORNIA PROPOSITION 65 WARNING
 ⚠️ WARNING: Cancer and Reproductive Harm.
 ⚠️ AVERTISSEMENT: Peut Causer le Cancer
 et des Dommages au Système Reproducteur.
 ⚠️ ADVERTENCIA: Cáncer y Daño Reproductivo.
www.p65warnings.ca.gov

KREEPY KRAULY® WARRIOR®

CLEANER REPLACEMENT PARTS



Item	Part No.	Qty.	Description	US List	Can. List
KREEPY KRAULY WARRIOR REPLACEMENT PARTS					
1	360478	1	Top Cover Kit	CALL	CALL
2	360305	1	Buckle Kit	19.88	23.89
3	360453	1	Swivel Kit	41.79	50.21
4	360481	1	Wheel Kit	CALL	CALL
5	360482	1	Tire Kit	105.32	126.55
6	360483	1	Wheel Hub Kit	31.36	37.68
7	360289	1	Left Drive Kit	54.64	65.66
8	360290	1	Right Drive Kit	62.48	75.08
9	360485	1	Chassis Kit	113.24	136.07
10	360292	1	Drive Gear Kit	17.67	21.23
11	360293	1	Turbine Kit	45.90	55.15
12	360294	1	Cam Kit	23.55	28.30
13	360295	1	Cam Gear Kit	23.55	28.30
14	360296	1	Front Roller Kit	54.64	65.66
15	360297	1	Rear Roller Kit	46.99	56.46
16	360487	1	Roller Bar Kit	39.18	47.08
17	360299	1	Wear Bar Kit	CALL	CALL
18	360492	1	Bearing Kit	40.99	49.25

Item	Part No.	Qty.	Description	US List	Can. List
19	41200-0211	1	Valve Cap	CALL	CALL
20	41200-0213	1	Regulator Valve	83.70	100.57
21	K12079	1	Threaded Compression Adaptor	16.16	19.42
22	41200-0212	1	Flow Gauge	42.48	51.04
23	360317	1	Hose Float	39.89	47.93
NOT SHOWN					
	GW9530	1	Vacuum Line Door	80.61	96.86
	41201-0236	2	Eyeball Diverter	0.69	0.83
	K12465	1	Hose Protector	12.14	14.59
	360309	1	Hose Set	342.77	411.87
	360489	1	Leader Hose	CALL	CALL
	360490	1	Large Hump Tire	111.25	133.68
	360491	1	Long Run Cam	CALL	CALL
	360535	1	Warrior Tune-Up Kit (includes 4, 5, 6, 7, 8, & 18)	217.97	261.91

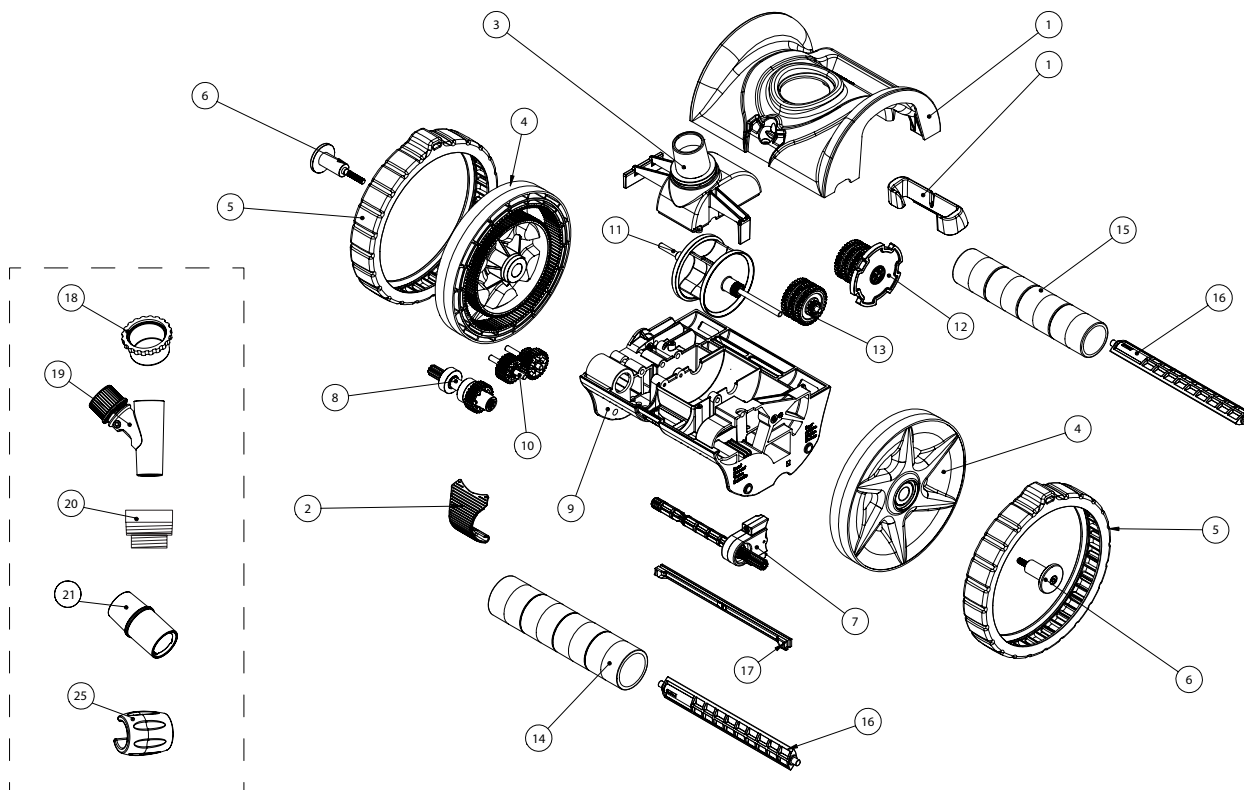
CALIFORNIA PROPOSITION 65 WARNING

⚠️ **WARNING:** Cancer and Reproductive Harm.
 ⚠️ **AVERTISSEMENT:** Peut Causer le Cancer et des Dommages au Système Reproducteur.
 ⚠️ **ADVERTENCIA:** Cáncer y Daño Reproductivo.

www.p65warnings.ca.gov
PH.201714

KREEPY KRAULY® WARRIOR® 2018 AND EARLIER MODELS

CLEANER REPLACEMENT PARTS



Item	Part No.	Qty.	Description	US List	Can. List
KREEPY KRAULY WARRIOR REPLACEMENT PARTS					
1	360304	1	Top Cover Kit	90.80	109.11
2	360305	1	Buckle Kit	19.88	23.89
3	360285	1	Swivel Kit	CALL	CALL
4	360306	1	Wheel Kit	39.25	47.16
5	360287	1	Tire Kit	105.34	126.58
6	360288	1	Wheel Hub Kit	31.36	37.68
7	360289	1	Left Drive Kit	54.64	65.66
8	360290	1	Right Drive Kit	62.48	75.08
9	360291	1	Bottom Cover Kit	214.09	257.25
10	360292	1	Drive Gear Kit	17.67	21.23
11	360293	1	Turbine Kit	45.90	55.15
12	360294	1	Cam Kit	23.55	28.30
13	360295	1	Cam Gear Kit	23.55	28.30
14	360296	1	Front Roller Kit	54.64	65.66
15	360297	1	Rear Roller Kit	46.99	56.46
16	360298	1	Roller Bar Kit	39.19	47.09
17	360299	1	Wear Bar Kit	CALL	CALL

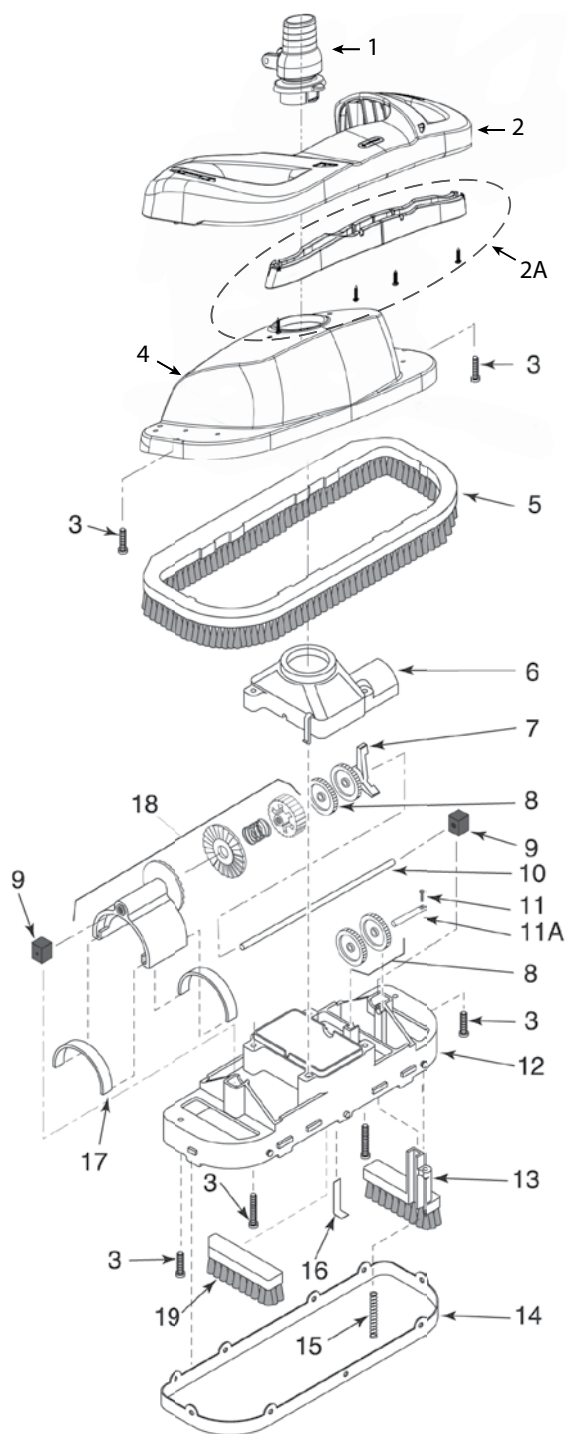
Item	Part No.	Qty.	Description	US List	Can. List
18	41200-0213	1	Regulator Valve Kit	83.70	100.57
20	K12079	1	Threaded Compression Adaptor	16.16	19.42
21	41200-0212	1	Flow Gauge	42.48	51.04
25	360317	1	Hose Float	39.89	47.93
NOT SHOWN					
22	GW9530	1	Vacuum Line Door	80.61	96.86
23	41201-0236	2	Eyeball Diverter	0.69	0.83
24	K12465	1	Hose Protector	12.14	14.59
26	360309	1	Hose Set	342.77	411.87
27	360308	1	Leader Hose	CALL	CALL
	360326		Large Hump Tire	111.24	133.67
	360327		Long Run Cam	39.11	46.99
	360534		Warrior Tune-Up Kit (Includes items 4, 5, 6, 7, & 8)	217.97	261.91

CALIFORNIA PROPOSITION 65 WARNING
 ⚠️ WARNING: Cancer and Reproductive Harm.
 ⚠️ AVERTISSEMENT: Peut Causer le Cancer et des Dommages au Système Reproducteur.
 ⚠️ ADVERTENCIA: Cáncer y Daño Reproductivo.
www.p65warnings.ca.gov

PENTAIR DORADO®

CLEANER REPLACEMENT PARTS

Item	Part No.	Description	US List	Can. List
DORADO REPLACEMENT PARTS				
1	GW9012	Swivel Assembly	39.74	47.75
2	360152	Bumper	68.27	82.03
2A	360154	Bumper Insert Kit (Includes Bumper Inserts & 4 Bumper Insert Screws)	33.75	40.55
3	GW9504	Screw Kit (6 short, 2 long)	18.66	22.42
4	360153	Shroud	50.41	60.57
5	GW9505	Brush Ring	145.90	175.31
6	GW9506	Oscillator Chamber Cap	62.04	74.55
7	GW9507	Cam Kit (2 & 3 Leg Cams)	43.78	52.61
8	GW9509	Idler Gear Kit (Includes 3 Gears)	43.44	52.20
9	GW9512	Block Kit (Includes 2 Blocks)	24.22	29.10
10	GW9513	Long Gear Shaft (Stainless Steel)	62.02	74.52
11		Set Screw #4 Self Tapping Not Available Separately		
11A	GW9536	Shaft Kit, Stainless Steel (Includes Set Screw)	22.18	26.65
12	GW9535	Lower Body ¹	156.27	187.77
13	GW9517	Lift Brush	49.64	59.65
14	GW9508	Vacuum Skirt	35.06	42.13
15	GW9522	Lift Brush Spring	15.93	19.14
16	GW9523	Ratchet Tab (Stainless Steel)	14.28	17.16
17	GW9004	Oscillator Seal Kit (Includes 2 Seals)	19.53	23.47
18	GW9503	Oscillator Assembly Kit (Includes Key #17) (Ratchet Assembly not sold separately)	201.60	242.24
19	GW9013	Center Brush Kit (Set of 2)	56.27	67.61
NOT SHOWN				
	41200-0131	Hose Kit, 12 sections, each 4 ft. in length	CALL	CALL
	41200-0200	Vacuum Regulator	CALL	CALL
	41200-0211	Vacuum Regulator Cap	CALL	CALL
	GW9015	Reducer Cone	31.36	37.68
	GW9019	Unidapt Handle	16.49	19.81
	GW9530	Vac Port Fitting	80.61	96.86
	41200-0210	Flow Gauge	CALL	CALL



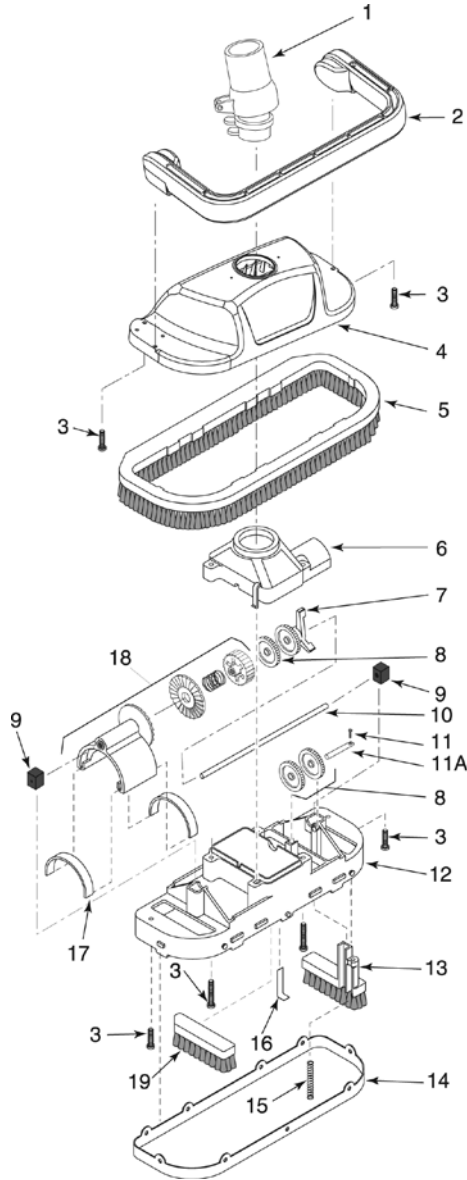
¹ Includes Item Nos. 6, 11A, 13, 15, 16, two idler gears and 2-arm cams

CALIFORNIA PROPOSITION 65 WARNING

⚠ **WARNING:** Cancer and Reproductive Harm.
 ⚠ **AVERTISSEMENT:** Peut Causer le Cancer et des Dommages au Système Reproducteur.
 ⚠ **ADVERTENCIA:** Cáncer y Daño Reproductivo.
www.p65warnings.ca.gov

KREEPY KRAULY® GREAT WHITE®

CLEANER REPLACEMENT PARTS



Item	Part No.	Description		
GREAT WHITE REPLACEMENT PARTS				
1	GW9012	Swivel Assembly	39.74	47.75
2	360227	Bumper	120.43	144.71
3	GW9504	Screw Kit (6 short, 2 long)	18.66	22.42
4	GW9501	Shroud	213.92	257.05
5	GW9505	Brush Ring Kit (Includes Vacuum Skirt)	145.90	175.31
6	GW9506	Oscillator Chamber Cap	62.04	74.55
7	GW9507	Cam Kit (2 & 3 Leg Cams)	43.78	52.61
8	GW9509	Idler Gear Kit (Includes 3 Gears)	43.44	52.20
9	GW9512	Block Kit (Includes 2 Blocks)	24.22	29.10
10	GW9513	Long Gear Shaft (Stainless Steel)	62.02	74.52
11		Shaft Mounting Screw (included in Part No. 11A)	CALL	CALL
11A	GW9536	Shaft Kit - Includes Part No. 11	22.18	26.65
12	GW9535	Lower Body	156.27	187.77
13	GW9517	Lift Brush	49.64	59.65
14	GW9508	Vacuum Skirt	35.06	42.13
15	GW9522	Lift Brush Spring	15.93	19.14
16	GW9523	Ratchet Tab (Stainless Steel)	14.28	17.16
17	GW9004	Oscillator Seal Kit (Includes 2 Seals)	19.53	23.47
18	GW9503	Oscillator Assembly Kit (Includes Item #17, Ratchet Ass'y not sold separately)	201.60	242.24
19	GW9013	Center Brush Kit (Set of 2)	56.27	67.61
NOT SHOWN				
	GW9527	Ratchet Tab Service Kit	24.45	29.38
	41200-0213	Vacuum Regulator and Cap	83.70	100.57
	GW9015	Reducer Cone	31.36	37.68
	GW9019	Unidapt Handle	16.49	19.81
	GW9530	Vac Port Fitting	80.61	96.86
	41200-0212	Flow Gauge	42.48	51.04
	41200-0130	Hose Sectional Kit with Leader, 40 ft.	353.48	424.74
	41200-0133	Hose, bulk pack 20, 1-1/2 in. M/F sections	483.77	581.30
	41200-0134	Hose bulk pack 12, leader sections	326.43	392.24
	360394	Replacement Leader Hose	70.42	84.62
	77705-0200	Accessory Pkg. includes: GW9012, 41200-0213, GW9015, GW9019, GW9530, 41200-0212	121.88	146.45

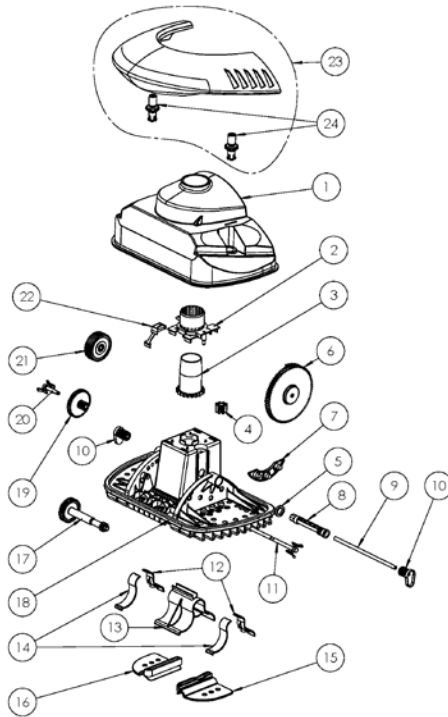
CALIFORNIA PROPOSITION 65 WARNING

⚠️ **WARNING:** Cancer and Reproductive Harm.
 ⚠️ **AVERTISSEMENT:** Peut Causer le Cancer et des Dommages au Système Reproducteur.
 ⚠️ **ADVERTENCIA:** Cáncer y Daño Reproductivo.

www.p65warnings.ca.gov
PK2017A

KREEPY KRAULY® SANDSHARK™

CLEANER REPLACEMENT PARTS



CALIFORNIA PROPOSITION 65 WARNING
 ⚠️ **WARNING:** Cancer and Reproductive Harm.
 ⚠️ **AVERTISSEMENT:** Peut Causer le Cancer et des Dommages au Système Reproducteur.
 ⚠️ **ADVERTENCIA:** Cáncer y Daño Reproductivo.
www.p65warnings.ca.gov PH 201714A

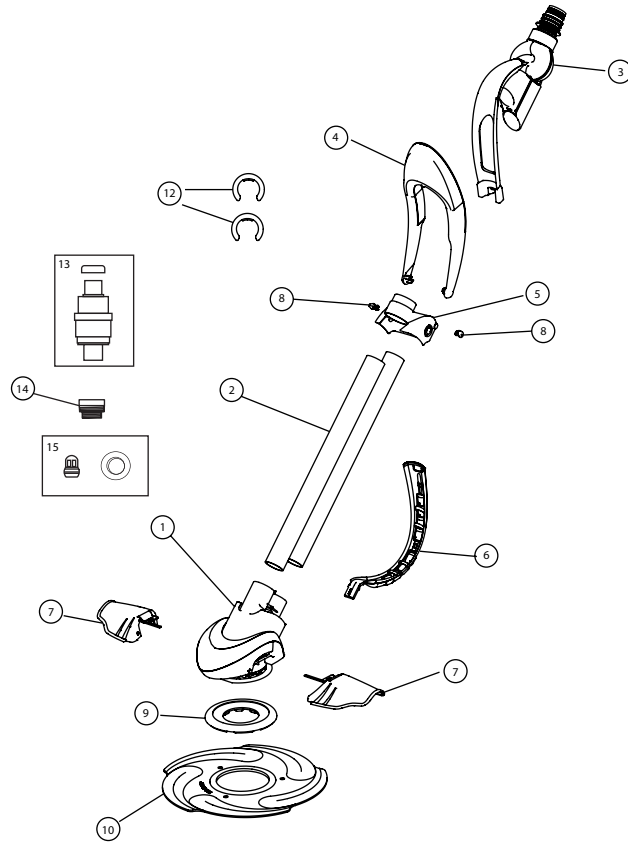
Product on page 21.

Item	Part No.	Qty.	Description	US List	Can. List
STEERING KIT (Incl. Item #'s 2,3,4, 24)					
	GW7910		Steering Kit (Incl. Key Nos. 2, 3, 4 & 22)	35.26	42.37
2		1	Swivel Housing		
3			Swivel		
4			Swivel Sprocket		
22			Clutch Clip		
CLUTCH KIT (Includes Item #'s 5, 8, 21)					
	GW7503		Clutch Kit (Incl. Key Nos. 5, 8 & 21)	59.49	71.48
5		1	Oscillator Sleeve Bushing		
8		1	Oscillator Sleeve		
21		1	Clutch Assembly		
GEAR KIT (Includes Item #'s 6, 10, 11, 17, 19, 20)					
	GW7504		Gear Kit (Incl. Key Nos. 6, 10, 11, 17, 19 & 20)	122.32	146.98
6		1	Large steering Drive Assembly		
10		2	Shaft Plug		
11		1	Long Sprocket Clip		
17		1	Drive Shaft assembly		
19		1	Center Sprocket		
20		1	Short Sprocket Clip		
OSCILLATOR KIT (Includes Item #'s 12, 13, 14)					
	GW7912		Oscillator Kit (Incl. Key Nos. 12, 13 & 14)	36.94	44.39
12		2	Small Sliding Seal		
13		1	Oscillator		
14		2	Large Sliding Seal		

Item	Part No.	Qty.	Description	US List	Can. List
SEAL FLAP KIT (Includes Item #'s 15, 16)					
	GW7913		Seal Flap Kit (Incl. Key Nos. 15 & 16)	33.38	40.11
15		1	Right Seal Flap		
16		1	Left seal Flap		
ACCESSORY KIT					
	GW7901		Accessory Kit (Not shown)	223.30	268.32
		1	Regulator		
		1	Regulator cap		
		2	Hose Weight		
		1	Flow gage		
		1	Reducer Cone		
		2	Eyeball Diverter		
		1	Vac Port Fitting		
SANDSHARK PARTS					
1	GW7903	1	Outer Housing	28.97	34.81
9	41201-0213	1	Shaft - Stainless Steel	15.45	18.56
18	41201-0242W	1	Chassis with Pad	219.40	263.63
23	GW7902	1	Bumper with flex snaps	119.80	143.95
24	GW7904		Flex Snaps Kit	27.67	33.25
NOT SHOWN					
	GW7911	1	Short Leader Hose	19.95	23.97
	GW7907	25	Suction Hose, 1 Meter segment	595.02	714.98
	41200-0213		Regulator Kit334	83.70	100.57
	41200-0209		Flow Gauge (yellow)	CALL	CALL
	GW9015		Reducer Cone (velve)	31.36	37.68
	K12454		Hose Weight	27.20	32.68

KREEPY KRAULY® - 2013 MODEL

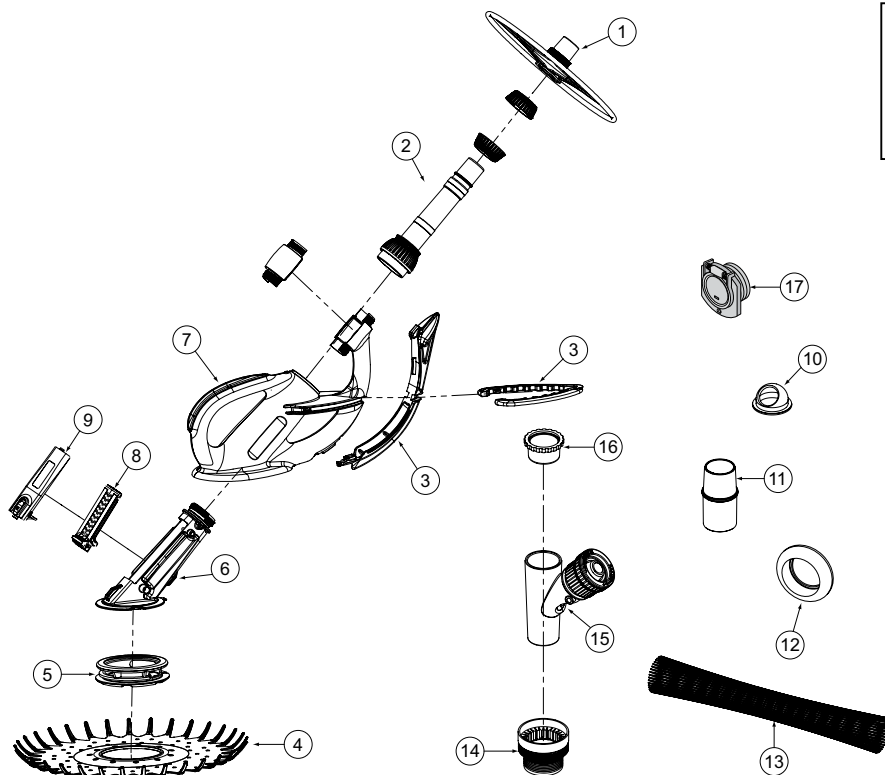
CLEANER REPLACEMENT PARTS



CALIFORNIA PROPOSITION 65 WARNING
 ⚠️ WARNING: Cancer and Reproductive Harm.
 ⚠️ AVERTISSEMENT: Peut Causer le Cancer et des Dommages au Système Reproducteur.
 ⚠️ ADVERTENCIA: Cáncer y Daño Reproductivo.
www.p65warnings.ca.gov P1630174A

Item	Part No.	Description	US List	Can. List
KREEPY KRAULY REPLACEMENT PARTS				
1	370500Z	Main Body Motor Housing	496.26	596.31
2	370486Z	Drive Tube (contains 1 tube)	33.48	40.23
3	370496Z	Swivel Assembly	98.81	118.73
4	370497Z	Dive Float	112.27	134.90
5	370498Z	Weight Holder (includes dive float restrictor set)	37.95	45.60
6	370499Z	Bumper Assembly	53.87	64.73
7	370492Z	Wing Set	65.13	78.26
8	370482Z	Dive Float Restrictor Set (contains 2)	17.03	20.46
9	K12059	Foot Pad	51.89	62.35
10	370478Z	Flat Seal	174.94	210.21
11	370483Z	Pleated Seal (not shown)	174.94	210.21
12	370494Z	Hose Weight (contains 2)	27.99	33.63
13	K12004	Automatic Regulator Valve and Valve Cap Kit	132.87	159.66
14	K12079	Threaded Compression Adaptor	16.16	19.42
15	K121680	Eyeball Diverter and Outer Ring	14.48	17.40
NOT SHOWN				
	370524	40" - 20pc male/female hose set	550.11	661.01
	370533	32" - 12pc male/female hose set	278.92	335.15
	370521	40" - 12pc male/female hose set	347.58	417.65
	370536Z	4" female/female hose	CALL	CALL

KREEPY KRAULY® KRUISER™ 2012 MODEL CLEANER REPLACEMENT PARTS



CALIFORNIA PROPOSITION 65 WARNING

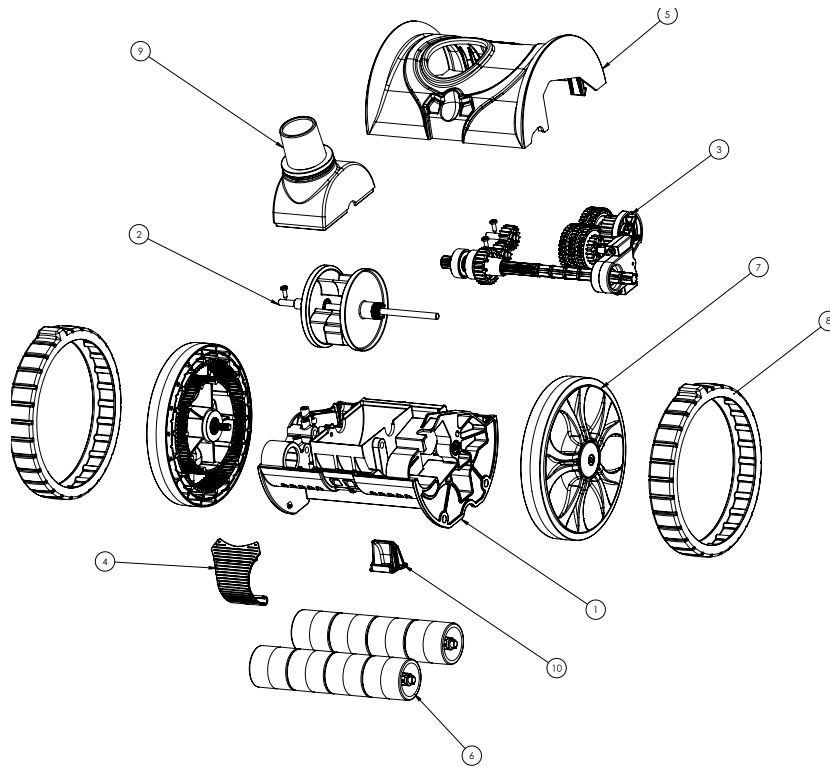
⚠ **WARNING:** Cancer and Reproductive Harm.
 ⚠ **AVERTISSEMENT:** Peut Causer le Cancer et des Dommages au Système Reproducteur.
 ⚠ **ADVERTENCIA:** Cáncer y Daño Reproductivo.

www.p65warnings.ca.gov
PH 201114A

Item	Part No.	Description	US List	Can. List
KREEPY KRUISER PARTS				
1	K12458	Kruiser Deflector Wheel	37.12	44.60
2	K12444	Kruiser Swivel Kit	133.19	160.04
3	K12451	Kruiser Bumper Kit (Horizontal & Vertical)	75.99	91.31
4	K12442	Kruiser 18 in. Vacuum Seal Kit	101.02	121.39
5	K12450	Kruiser Foot Pad Kit	30.52	36.67
6	K12443	Kruiser Internal Kit	111.99	134.57
7	K12441	Kruiser External Housing Kit	198.60	238.64
8	K12415	Kruiser Silent Flapper Kit	49.66	59.67
9	K12412	Kruiser Lid and Lock Kit	26.96	32.40
10	41201-0236	Eyeball Diverter	0.69	0.83
11	41200-0212	Flow Gauge	42.48	51.04
12	370494Z	Hose Weight	27.99	33.63
13	K12465	Hose Protector	12.14	14.59
14	K12079	Threaded Compression Adapter	16.16	19.42
15	41200-0214	Regulator Valve (Adjustable) and Regulator Cap	132.87	159.66
17	K12500	Safety Vac-Lock Fitting	93.61	112.48
NOT SHOWN				
	K01213	Hose Kit (12 M/F Sections)	350.12	420.70

PENTAIR 'LIL REBEL™

CLEANER REPLACEMENT PARTS



Item	Part No.	Qty.	Description	US List	Can. List
PENTAIR LIL REBEL REPLACEMENT PARTS					
1	360458	1	Bottom Cover Kit	182.18	218.91
2	360460	1	Turbine Kit	52.84	63.49
3	360462	1	Drivetrain Kit	160.70	193.10
4	360452	1	Buckle Kit	31.04	37.30
5	360451	1	Top Cover Kit	70.44	84.64
6	360463	1	Roller Kit	111.72	134.24
7	360454	1	Wheel Kit	122.45	147.14
8	360455	1	Tire Kit	67.02	80.53
9	360453	1	Swivel Kit	41.79	50.21

Item	Part No.	Qty.	Description	US List	Can. List
OPTIONAL					
10	360468	1	Inlet Insert Kit	21.99	26.42
	360465	1	Flow Gauge	16.36	19.66
	41201-0236	1	Eyeball Diverter	0.69	0.83
	K70079	1	Threaded Compression Adapter	CALL	CALL
NOT SHOWN					
	360467	1	Hose Set	170.18	204.49
	360308	1	Leader Hose	CALL	CALL
	41200-0200	1	Regulator Valve	CALL	CALL
	GW9015	1	Reducer Cone	31.36	37.68
	360466	1	Hose Float	48.67	58.48

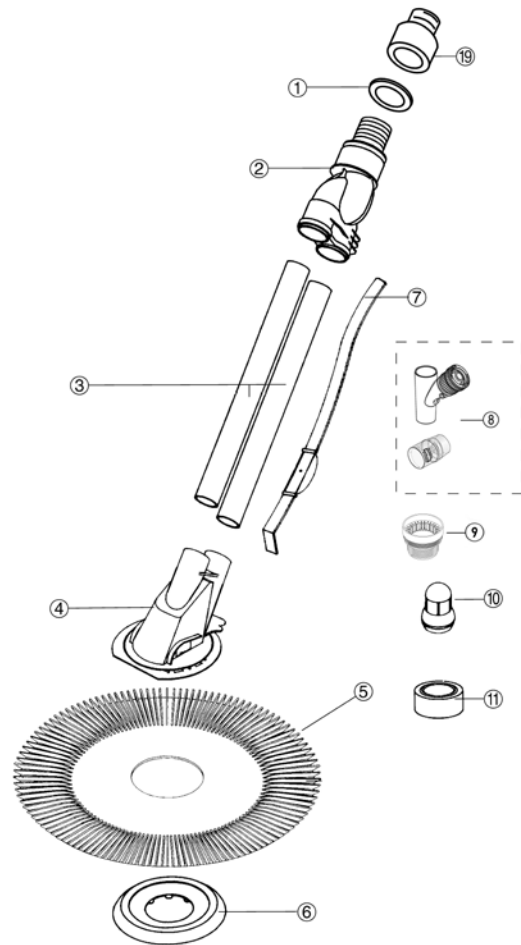
CALIFORNIA PROPOSITION 65 WARNING

⚠️ **WARNING:** Cancer and Reproductive Harm.
 ⚠️ **AVERTISSEMENT:** Peut Causer le Cancer et des Dommages au Système Reproducteur.
 ⚠️ **ADVERTENCIA:** Cáncer y Daño Reproductivo.

www.p65warnings.ca.gov PN 2007RA

KREEPY KRAULY® E-Z VAC® CLEANER REPLACEMENT PARTS

Item	Part No.	Description	US List	Can. List
E-Z VAC REPLACEMENT PARTS				
1	K12087	Bearing Washer	9.34	11.22
2	K12653	Swivel Head Assembly	89.28	107.28
3	K12654	Drive Tube Top/Bottom (1)	22.01	26.45
4	K12650	Main Body (Excludes Flapper)	444.46	534.06
5	K12651	Aboveground Seal	181.81	218.46
6	K12059	Foot Pad	51.89	62.35
7	K12655	Bumper Strap with weight	63.46	76.25
8	41200-0214	Regulator Valve	132.87	159.66
9	K12079	Threaded Compression Adapter	16.16	19.42
10	K121680	Eyeball Diverter	14.48	17.40
11	K12657	Hose Weight	44.71	53.72
12	K121683	Eyeball Diverter Outer Ring	8.74	10.50
13	K12649	Baffle Plate (not interchangeable with Kreepy Krauly inground)	19.95	23.97
14	K121620	Wire Diverter	39.70	47.70
18	K21241B	4 in. Female/Female Blue Hose Connector	14.13	16.98
18	K21241	4 in. Female/Female Hose Connector (White)	15.78	18.96
19	K12653C	Swivel Cone and Bearing Washer	13.45	16.16



K50659 Complete Hose Assembly - Blue (After 3-16-10)

(12 Sections Male/Female)

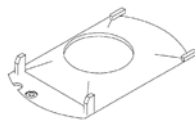
(32 ft. total length)

- 11 Sections Male/Female Hose
- 1 Section Female/Female Hose

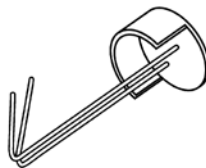
K121683
Eyeball Diverter
Outer Ring



K12649
Baffle Plate



K121620
Wire Diverter



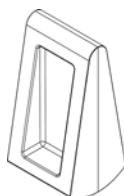
K12142B
Vacuum Line
Valve Kit



K21241B
3" Female/Female Blue
Hose Connector
K21241(White)



K70081
Flow Valve/Flapper - Teal



K12041
Cone Adapter 1-1/4"-2"
Optional

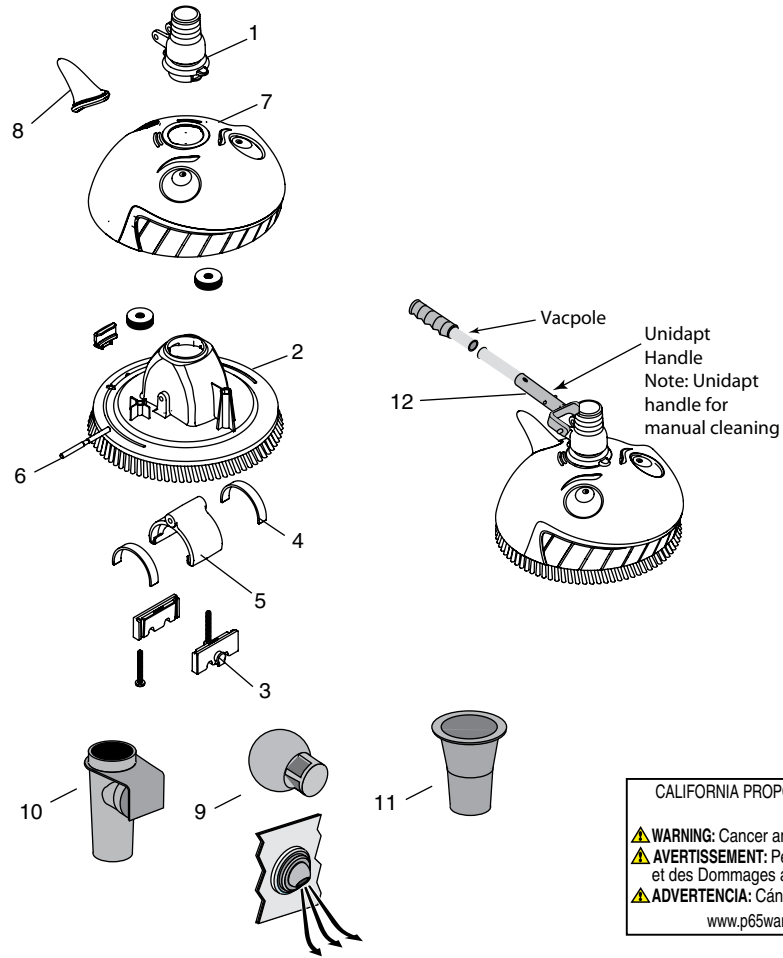


CALIFORNIA PROPOSITION 65 WARNING

⚠️ **WARNING:** Cancer and Reproductive Harm.
 ⚠️ **AVERTISSEMENT:** Peut Causer le Cancer et des Dommages au Système Reproducteur.
 ⚠️ **ADVERTENCIA:** Cáncer y Daño Reproductivo.
www.p65warnings.ca.gov

KREEPY KRAULY® 'LIL SHARK™ - 2013 MODEL

CLEANER REPLACEMENT PARTS



CALIFORNIA PROPOSITION 65 WARNING
 ⚠️ **WARNING:** Cancer and Reproductive Harm.
 ⚠️ **AVERTISSEMENT:** Peut Causer le Cancer et des Dommages au Système Reproducteur.
 ⚠️ **ADVERTENCIA:** Cáncer y Daño Reproductivo.
 www.p65warnings.ca.gov. PR2017A

Item	Part No.	Qty.	Description	US List	Can. List
LIL SHARK REPLACEMENT PARTS					
1	GW9012	1	Swivel Assembly	39.74	47.75
2	*	1	Pool Cleaner Body (with Bristles)		
3	41100-0027	1	Oscillator Impact Bumper (Pkg of 2)	17.51	21.04
4	GW9004	1	Oscillator Seals (Pkg of 2)	19.53	23.47
5	GW9003	1	Oscillator Kit (Includes Seals)	120.43	144.71
6	GW9002	1	Axle Shaft	28.38	34.10
7	371514Z	1	Cover Kit	56.16	67.48
8	371508Z	1	Fin Kit	5.98	7.19
9	GW9014	1	Flow Director	30.54	36.70
10	GW9016	1	Vacuum Regulator	87.82	105.52
11	GW9015	1	Reducer Cone	31.36	37.68
12	GW9019	1	Unidapt Handle	16.49	19.81
NOT SHOWN					
	371526Z	1	Replacement Hose Kit	194.65	233.89

AUTOMATION PARTS

Product Catalog 2024

INTELLICENTER® CONTROL SYSTEM REPLACEMENT PARTS

Part No.	Description	US List	Can. List
CIRCUIT BOARD REPLACEMENT PARTS			
523050	i5P Replacement Outdoor Control Panel Circuit Board with Faceplate for Common Load Center/Common Power Center	1812.71	2178.15
523051	i5X Expansion Replacement Circuit Board with Faceplate for Common Load Center/Common Power Center	2216.42	2663.25
521936Z	i5PS Personality Card Circuit Board (expansion card that slide connects to the i5P main board - replacement or upgrading a system)	CALL	CALL
521977Z	i8P Personality Card Circuit Board (expansion card that slide connects to the i5P main board - replacement or upgrading a system)	CALL	CALL
521968Z	i8PS Personality Card Circuit Board (expansion card that slide connects to the i5P main board - replacement or upgrading a system)	CALL	CALL
521993Z	i10P Personality Card Circuit Board (expansion card that slide connects to the i5P main board - replacement or upgrading a system)	CALL	CALL
521873Z	i10PS Personality Card Circuit Board (expansion card that slide connects to the i5P main board - replacement or upgrading a system)	CALL	CALL
523029Z	i10D Personality Card Circuit Board (expansion card that slide connects to the i5P main board - replacement or upgrading a system)	CALL	CALL
522997Z	i10X Expansion Card Circuit Board (expansion card that slide connects to the i5X main board - replacement or upgrading a system)	3327.75	3998.62
WIRELESS REPLACEMENT PARTS			
522051	Wireless Remote (replacement remote only)	CALL	CALL
522052	Charging Cradle plus Transformer	CALL	CALL
522053Z	Wireless Wall Mounting Kit with Hardware (included in every IntelliCenter Wireless Remote Kit - allows remote to hang on a wall like an indoor control panel - no charging provided while hanging on wall, wireless remote must be placed on charging cradle periodically to charge)	CALL	CALL
520830Z	Wireless Transformer (for wireless remote charging cradle)	CALL	CALL
520244	Transceiver Enclosure with Mounting Hardware (does not contain the transceiver circuit board)	132.70	159.45
522054	Battery for Wireless Remote (with flat door)	CALL	CALL
521984Z	Wireless Transceiver Circuit Board (for use in 520244)	CALL	CALL
522056Z	Wireless Transceiver Circuit Board plus Enclosure with Mounting Hardware (includes both 520244 and 521984Z)	CALL	CALL
523355	Wireless Remote Repeater Kit (used when longer range is required for the IntelliCenter wireless remote)	CALL	CALL
523434	900 MHz Wireless Ethernet Link	CALL	CALL
523557	900 MHz Wireless Ethernet Link Kit (includes PoE module and Ethernet cables)	929.96	1117.44
544425	Cable POE/Ethernet High Power Wireless Bundle	CALL	CALL
MISCELLANEOUS REPLACEMENT PARTS			
522978Z	Battery for Indoor Control Panel and Outdoor Control Panel	54.84	65.90
522102Z	System Transformer	CALL	CALL
523345	Circuit Breaker Kit: 4-Amp Breaker	CALL	CALL
523346	Circuit Breaker Kit: 5-Amp Breaker	CALL	CALL
522004Z	Bezel Faceplate for Common Load Center/Common Power Center (with overlay)	CALL	CALL
522005Z	Faceplate for Load Center/Power Center, IT/ET OCP Upgrade	CALL	CALL
522062Z	Legacy Transformer for Upgrades to IntelliCenter 24VAC 18VAC	228.89	275.03
523342Z	Legacy Transformer Bracket for Upgrades to IntelliCenter	71.52	85.94
520199	1000 ft. cable, four conductor, 22 AWG, White	Call	Call



IntelliCenter Wireless Control Panel
P/N 522036



IntelliCenter
Mobile Interface



Controller Options

INTELLITOUCH® AUTOMATION REPLACEMENT PARTS

Part No.	Description	US List	Can. List
NEW INTELLITOUCH AUTOMATION REPLACEMENT PARTS			
521227	Replacement Load Center Door	423.47	508.84
521057Z	New Load Center 150A 10 Circuit Breaker Base	422.24	507.36
521233	Load Center System Transformer, after change date	315.34	378.91
521051Z	New Load Center High Voltage Cover Panel Dead Front	211.70	254.38
521078Z	New Power Center High Voltage Cover Panel	208.43	250.45
521081Z	Door Latch	101.56	122.03
521228	New OCP Bezel, i5+3, i7, i9+3	143.17	172.03
521229	New OCP Bezel, i10+3D	174.89	210.15
521230	New OCP Bezel, i5+3S, i9+3S	154.86	186.08
521231	New OCP Bezel, i5x, i10x	174.89	210.15
521441	IntelliChlor System Transformer, after change date	443.29	532.66
520151Z	Kit Bkt Mtg LC & PC	154.99	186.24
520724	Pwr Cable For IntelliChlor SCG Systems	170.52	204.90
521218	New Load Center IntelliChlor SCG Surge Board PCBA	545.61	655.60
8520031Z	Repl. Circuit Breaker (3 Amp)	69.43	83.43
521142Z	New Load Center Resettable 12A 50V Scg Circuit Breaker	101.56	122.03
8023304	4-Pin Com Port Connector	CALL	CALL
522101	Solar Temperature Sensor (black)	CALL	CALL
RLYHTR	Heater Relay Repair Kit	236.33	283.97
520106	Relay Kit, 20 Amp	166.50	200.07
RCS1	Spa Jets Switch, Wall Mount, Single Gang Plate	292.57	351.55
CRALX	Adapter, 1 Relay Controlled By 2 Circuits	253.58	304.70
520199	1000 ft. cable, four conductor, 22 AWG, White	Call	Call
INTELLITOUCH AUTOMATION REPLACEMENT PARTS			
520287	Circuit Board, Universal Outdoor Controller (Mother Board)	2162.70	2598.70
520265	Circuit Board, i5+3 Personality	CALL	CALL
520266	Circuit Board, i7+3 Personality	CALL	CALL
520267	Circuit Board, i9+3 Personality	CALL	CALL
520296Z	Circuit Board, i5+3S Personality	CALL	CALL
520078Z	Circuit Board, i9+3S Personality	CALL	CALL
520077Z	Circuit Board, i10+3D Personality	CALL	CALL
520080Z	Circuit Board, i5X Personality	CALL	CALL
520079Z	Circuit Board, i10X Personality	CALL	CALL
520273	Cover Plate, IntelliTouch Indoor Control Panel, White	104.64	125.74
520276	Mounting Sheaves, IntelliTouch Indoor Control Panel	34.84	41.86
520277	Mounting Hardware, IntelliTouch Indoor Control Panel	32.92	39.56
520281	Breaker Base, IntelliTouch Load Center 4/8 Position	CALL	CALL
8520031Z	Repl. Circuit Breaker (3 Amp)	69.43	83.43
520342	Replacement System Transformer Assembly, IntelliTouch	CALL	CALL
520272	Water Temp Sensor 10k Ohm, 20' Length	124.35	149.42
520405	IntelliTouch Load Center Replacement Door	CALL	CALL

Part No.	Description	US List	Can. List
BAT3	Battery, 3-Volt Lithium	27.43	32.96
520119Z	Old LC High Voltage Cover Panel	104.46	125.52
9321004	Clamp For Water Temperature Sensor	CALL	CALL
520108	Terminal Screw 4 Wire (Green)	32.80	39.41
520343	iS10 Mounting Kit	103.08	123.86
520062	Control Panel Bezel, i5+3, i7, i9+3	CALL	CALL
520303	Control Panel Bezel, i10+3D	174.89	210.15
520304	Control Panel Bezel, i5+3S, i9+3S	166.49	200.05
520302	Control Panel Bezel, i5x, i10x	CALL	CALL
520498	Touch Panel, ACC ITC35	CALL	CALL
520499	Tablet, ACC ITC45	CALL	CALL
8023304	4-Pin Com Port Connector	CALL	CALL
WIRELESS REMOTE REPLACEMENT PARTS			
523434	ScreenLogic Wireless Connect Kit	CALL	CALL
520341	Wireless Remote Antenna Only, before change date/pre version ____	CALL	CALL
520217	Wireless Remote Antenna Only, after change date/pre version ____	CALL	CALL
520244	MobileTouch I & II Transceiver Enclosure with Mounting Hardware	132.70	159.45
520946Z	Wireless Remote Antenna and Transceiver Complete Kit, works with all versions	764.06	918.09
520830Z	MobileTouch II Transformer with Cord	CALL	CALL
520834Z	MobileTouch II Charging Cradle	269.35	323.65
520815Z	MobileTouch II Battery & Door	544.21	653.92
520191	MobileTouch I Transformer with Cord	66.58	80.00
520217	Antenna For Mobiletouch 1 Transceiver	CALL	CALL
520907	MobileTouch II Wireless Remote Replacement	CALL	CALL
520946Z	Mobiletouch II Transceiver Circuit Board With Attached Antenna	764.06	918.09
8520031Z	Repl. Circuit Breaker (3 Amp)	69.43	83.43
INTELLITOUCH AUTOMATION LABELS			
520658	Indoor Control Panel Labels (Qty. 10)	176.42	211.99
520283	Outdoor Panel Labels (Qty. 10)	246.49	296.18
521227	New Load Center Door w/ET & IT Labels (Qty. 10)	423.47	508.84
520344	iS10 Label Set (Qty. 10)	264.10	317.34
522082	iS4 Label Set (Qty. 10) - New Style	66.60	80.03
520173	iS4 Label Set (Qty. 10) - Old Style	CALL	CALL

CALIFORNIA PROPOSITION 65 WARNING

⚠️ **WARNING:** Cancer and Reproductive Harm.
 ⚠️ **AVERTISSEMENT:** Peut Causer le Cancer et des Dommages au Système Reproducteur.
 ⚠️ **ADVERTENCIA:** Cáncer y Daño Reproductivo.

www.p65warnings.ca.gov. P190215A

EASYTOUCH® & EASYTOUCH PL4/PSL4 CONTROL SYSTEMS REPLACEMENT PARTS

Part No.	Description	US List	Can. List
NEW EASYTOUCH CONTROL SYSTEMS REPLACEMENT PARTS			
521227	Replacement Load Center Door	423.47	508.84
521057Z	Load Center 125A 8 Circuit Breaker (size), after change date 2011	422.24	507.36
521232	Fold-down Bezel Replacement, after change date 2011	141.06	169.50
521051Z	Load Center, High Voltage Cover Panel (size), after change date 2011	211.70	254.38
521233	Load Center System Transformer, after change date 2011	315.34	378.91
521218	IntelliChlor CG Board, after change date 2011	545.61	655.60
521142Z	Fuse, CG IntelliChlor 12A-50V Resettable Circuit Breaker, after change date 2011	101.56	122.03
521441	IntelliChlor System Transformer, after change date 2011	443.29	532.66
520151Z *	Mounting Bracket Kit for (LC & PC RPLC), all Load Centers	154.99	186.24
521081Z *	Door Latch Assy (RPLC), all Load Centers	101.56	122.03
8520031 *	Internal Circuit Breaker Assy, all Load Centers	CALL	CALL
8023304 *	4-Pin Com Port Connector	CALL	CALL
520724	IntelliChlor Cell/PCBA Power Cable For IntelliChlor SCG Systems	170.52	204.90
520946Z *	EasyTouch Transceiver Circuit Board with Attached Antenna	764.06	918.09
520691	Wireless Control Only, 4 Aux.	CALL	CALL
520692	Wireless Control Only, 8 Aux	CALL	CALL
520546	Wireless Control Complete w/Antenna & Transceiver	CALL	CALL
520547	Wireless Control Complete w/Antenna & Transceiver	CALL	CALL
522101 *	Solar Temperature Sensor (black)	CALL	CALL
RLYHTR *	Relay, Heater Repair Kit, includes RLY Replacement Relay with board connection wire	236.33	283.97
520106 *	Relay Kit, 20 Amp	166.50	200.07
RCS1 *	Spa Jets Switch, Wall Mount, Single Gang Plate	292.57	351.55
CRALX *	Adapter, 1 Relay Controlled By 2 Circuits	CALL	CALL
520199	1000 ft. cable, four conductor, 22 AWG, White	Call	Call

EASYTOUCH CONTROL SYSTEMS REPLACEMENT PARTS			
523434	ScreenLogic Wireless Connect Kit	CALL	CALL
520217	Antenna, EasyTouch Transceiver Module	CALL	CALL
520595	IntelliChlor Replacement Unions (Contains 2 O-Rings, 2 Couplers, 2 Nuts)	66.72	80.17
520655	Replacement Load Center Door (size), before change date 2011	CALL	CALL
520656	Load Center 150A 10 Circuit Breaker (size), before change date 2011	141.06	169.50
520652	Indoor Control Panel Backplate with Connectors Attached	49.33	59.27
520660	Laptop Trainer	CALL	CALL
520653	Load Center System Transformer, before change date 2011	529.30	636.01
520657	Motherboard With 8 Aux Pool/Spa Combo	1686.95	2027.04

Part No.	Description	US List	Can. List
520659	Motherboard With 4 Aux Pool/Spa Combo	1122.29	1348.54
520711	Motherboard 8 Aux (Single Body)	1686.95	2027.04
520712	Motherboard 4 Aux (Single Body)	1122.29	1348.54
520722	IntelliChlor System Transformer, before change date 2011	443.28	532.65
520723	IntelliChlor CG Board, before change date 2011	545.60	655.59
520724	IntelliChlor Cell/PCBA Power Cable For IntelliChlor SCG Systems	170.52	204.90
520714Z	Fuse, CG IntelliChlor 10A Resettable Circuit Breaker, before change date 2011	51.40	61.76
8520031Z *	Fuse, Control 3A Resettable Circuit Breaker	69.43	83.43
8023304 *	4-Pin Com Port Connector	CALL	CALL

LABELS			
520658 *	Indoor Control (Qty. 10)	176.42	211.99
520658 *	Wireless Remote (Qty. 10)	176.42	211.99
520283 *	Outdoor Panel Labels (Qty.10)	246.49	296.18
521227	Replacement Load Center Door (size), before change date 2011	423.47	508.84
520658 *	Indoor Control Panel & Wireless Remote Features Label (Set Of 10)	176.42	211.99
520124	Quicktouch I Labels (Qty. 10), before change date 2011	139.53	167.66

SCREW TERMINALS, CIRCUIT BOARD PLUG-IN TYPE, EASYTOUCH			
8023302 *	Comport, 2 Position	CALL	CALL
8023304 *	Comport, 4 Position	CALL	CALL
8023306 *	Comport, 6 Position	CALL	CALL
8023308 *	Comport, 8 Position	CALL	CALL
8023310 *	Comport, 10 Position	40.91	49.16
8023312 *	Comport, 12 Position	44.59	53.58

EASYTOUCH PL4/PSL4			
522523	PL4 OCP replacement PCBA	CALL	CALL
522524	PSL4 OCP replacement PCBA	CALL	CALL
522525	PL4/PSL4 OCP replacement Control Panel bezel	CALL	CALL
522526	EasyTouch PL4/PSL4 Wireless remote replacement	CALL	CALL

* Also parts for EasyTouch PL4/PLS4

CALIFORNIA PROPOSITION 65 WARNING

▲ **WARNING:** Cancer and Reproductive Harm.
▲ **AVERTISSEMENT:** Peut Causer le Cancer et des Dommages au Système Reproducteur.
▲ **ADVERTENCIA:** Cáncer y Daño Reproductivo.

www.p65warnings.ca.gov. PS.2017.14

SUNTOUCH® AND SOLARTOUCH® CONTROL SYSTEMS REPLACEMENT PARTS

Part No.	Description	US List	Can. List
SUNTOUCH CONTROL SYSTEMS REPLACEMENT PARTS			
520940Z	SunTouch Solar Circuit Board	582.32	699.72
520645Z	SunTouch Pool/Spa Circuit Board	582.32	699.72
520941Z	SunTouch Single Body Circuit Board	582.32	699.72
520814Z	Kit Door Enclosure Small	170.59	204.98
520272	Water Temp Sensor 10k, ___ Length	124.35	149.42
520841Z	Kit SunTouch Transformer	229.38	275.62
522101	Solar Temperature Sensor (Black)	CALL	CALL

Part No.	Description	US List	Can. List
SUNTOUCH CONTROL SYSTEMS REPLACEMENT PARTS (CONT'D)			
520942Z	Circuit Breaker	52.93	63.60
SOLARTOUCH CONTROL SYSTEMS REPLACEMENT PARTS			
521605	Power Circuit Board Assembly (Bottom Of Enclosure)	485.69	583.61
521604	Control Panel Replacement Board Assembly (Bezel And Circuit Board)	387.56	465.69
521516	SolarTouch Door Replacement	68.62	82.45
522101	Solar TempSensor, 10k, ___ Length	CALL	CALL

CALIFORNIA PROPOSITION 65 WARNING
 ⚠️ **WARNING:** Cancer and Reproductive Harm.
 ⚠️ **AVERTISSEMENT:** Peut Causer le Cancer et des Dommages au Système Reproducteur.
 ⚠️ **ADVERTENCIA:** Cáncer y Daño Reproductivo.
www.p65warnings.ca.gov PR 2011-14

Product on pages 41–42.

COMPOOL® CONTROL SYSTEM REPLACEMENT PARTS

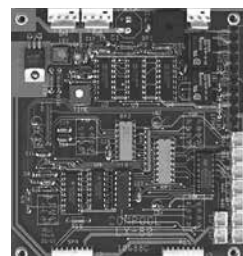


Part No.	Description	US List	Can. List
CABLE CONNECTORS & ADAPTORS			
6CONDTEST	Test Cable, (6-Conductor)	19.29	23.18
520001	Adaptor 6-Conductor Flat To Multiple-Pair Cable	65.55	78.76
520008	Splice 26-22 AWG Weather-Proof (100 Qty Per Bag)	113.59	136.49
CON6	Connectors For 6-Conductor Flat Cable (4 Qty)	25.91	31.13
9987013	Crimping Tool 6 Pin RJ-11 Telephone-Type Connector	97.63	117.31
8761047	Cable, PC Board Harness, 2 Cond. Red/Black W/Plugs	18.62	22.37
SCREW TERMINALS, CIRCUIT BOARD PLUG-IN TYPE, INTELLITOUCH			
8023302	Comport, 2 Position	CALL	CALL
8023304	Comport, 4 Position	CALL	CALL
8023306	Comport, 6 Position	CALL	CALL
8023308	Comport, 8 Position	CALL	CALL
8023310	Comport, 10 Position	40.91	49.16
8023312	Comport, 12 Position	44.59	53.58
BATTERIES, CIRCUIT BREAKERS, SURGE SUPPRESSORS			
AI101	Surge Suppressor (115V)	636.89	765.29
AI201	Surge Suppressor (230V)	636.89	765.29
BAT3	Battery, 3-Volt Lithium	27.43	32.96
CB3	Circuit Breaker (3 Amp)	48.26	57.99
FREEZE PROTECTION SENSORS (NOT FOR USE WITH CP3800 FAMILY)			
FPSAUX	Auxiliary Pump Freeze Sensor	CALL	CALL
FPSC	Filter Pump Freeze Sensor	CALL	CALL
EQUIPMENT IDENTIFICATION LABELS			
LBL100	Label Set For CP100 Indoor Control Panel	CALL	CALL
520124	Label Set For QuickTouch Wireless Remote	139.53	167.66
520173	Label Set For is4 Spa-Side Remote	CALL	CALL
LBL3800	Label Set For Indoor Control Panel CP3800 Family	64.95	78.04

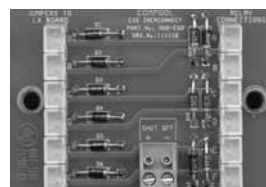
COMPOOL® CONTROL SYSTEM REPLACEMENT PARTS (CONT'D)

Part No.	Description	US List	Can. List
POWER CENTER HARDWARE (BLACK PLASTIC ENCLOSURE)			
LXLATCH	Latch, For Door	97.48	117.13
LXLID2	Lid, Latching Enclosure	172.02	206.70
LXPIN	Hinge Pins For Interior Faceplate, Set Of 2	32.93	39.57
ENCLLX	Enclosure For Power Center	447.50	537.72
FKNOBG	Thermostat Knob	34.45	41.40
520006	Dead Panel, High Voltage	158.06	189.92
9541143	Enclosure - CP3** Cover/Base/Doors	39.85	47.88
POWER CENTER (BLACK PLASTIC ENCLOSURE)			
LX820	Emergency Shut-Off Controller/Power Center	CALL	CALL
LOAD CENTER HARDWARE (ALMOND STEEL ENCLOSURE)			
520005	Latch For Cover Enclosure—For Load Center	46.50	55.87
520006	Dead Panel, High Voltage	158.06	189.92
CIRCUIT BOARDS FOR INDOOR CONTROL PANELS			
PCCP100	Circuit Board For CP100 #11057	CALL	CALL
CIRCUIT BOARDS FOR POWER CENTERS AND RF RECEIVERS			
MODESO	Module For ESO-2 Emergency Shut-Off Switch #11111	493.47	592.95
PCLX80	Circuit Board For LX80 #10688	963.75	1158.04
PCLX820	Circuit Board For LX820 #10853	550.74	661.77
RELAYS AND RELAY ACCESSORIES			
RLYHTR	Heater Relay Repair Kit	236.33	283.97
RLYLX	Relay Kit, 20 Amp	209.80	252.10
RLYLX3HP	Additional 25 Amp, 3 HP Power Relay (For Auxiliary Equipment)	281.73	338.53
RLYLXD	Relay Kit For 2-Speed Pump	327.79	393.87
RLYNC	Relay Kit 20 Amp (DPDT) For Special Applications Only	209.80	252.10
RLYSC	Relay Kit For LX220 & LX820, 20 Amp	190.15	228.48
RLYSC3HP	25 Amp, 3 HP Power Relay For LX220 And LX820 Systems	264.10	317.34
RYALX	Adapter, 2 Relays Controlled By 1 Circuit	109.39	131.44
CRALX	Adapter, 1 Relay Controlled By 2 Circuits	253.58	304.70
520403	Dual Heater Relay Kit	308.92	371.20
OUTDOOR REMOTES FOR CP3800 FAMILY OR SYSTEMS (FULL FUNCTION)			
520345	is10 for CP3800 Family Includes 6Cond Adapter1	CALL	CALL
SWITCHES			
6010102	On/Off Switch for CP30 Remote Panel, 2 Position	69.95	84.05
6010103	On/Off/On Switch For CP30 Remote Panel, 3 Position	69.95	84.05
ESO2	Shut-Off Switch with Alarm, Double Gang Plate	550.74	661.77
RCS1	Spa Jets Switch, Wall Mount, Single Gang Plate	292.57	351.55

CALIFORNIA PROPOSITION 65 WARNING
 ⚠️ **WARNING:** Cancer and Reproductive Harm.
 ⚠️ **AVERTISSEMENT:** Peut Causer le Cancer et des Dommages au Système Reproducteur.
 ⚠️ **ADVERTENCIA:** Cáncer y Daño Reproductivo.
www.p65warnings.ca.gov PR30371A



PCLX80



MODESO



RLYLXD



RLYLX



ESO2



RLYHTR



RLYSC

COMPOOL® CONTROL SYSTEM REPLACEMENT PARTS



6870002



TMRLX



XFM1BK



XFM3BK



XFM20

CALIFORNIA PROPOSITION 65 WARNING
 ⚠️ WARNING: Cancer and Reproductive Harm.
 ⚠️ AVERTISSEMENT: Peut Causer le Cancer et des Dommages au Système Reproducteur.
 ⚠️ ADVERTENCIA: Cáncer y Daño Reproductivo.
www.p65warnings.ca.gov PR 2017-14

Part No.	Description	US List	Can. List
SPA-SIDE AND WIRELESS REMOTES			
520173	Label Set, Pack Of 10 For is4 Spa-Side Remote	CALL	CALL
520124	Label Set, Pack Of 10 For QuickTouch Wireless	139.53	167.66
TELEPHONE REMOTE CONTROL (FOR CP3800 FAMILY)			
6870002	Module For Telephone Remote Control	CALL	CALL
TIMERS			
TMRLX	Timer, 24 Hour Mechanical	229.39	275.64
TEMPERATURE SENSORS			
TS5L	Temp Sensor Linear (Red & Green Wires) Compool	136.96	164.57
520272	Water Temp Sensor 10k, ___ Length	124.35	149.42
9142109	O-Ring, 5/16 In. for Temperature Sensor	6.59	7.92
9321004	Clamp for Water Temperature Sensor	CALL	CALL
VALVE ACTUATORS AND PARTS			
263045	CVA-24T Valve Actuator, 24 Volt AC, 180 Degree Rotation	CALL	CALL
263044	CVA-24Y Valve Actuator, 24 Volt AC, 120 Degree Rotation	CALL	CALL
263043	CVA-24L Valve Actuator, 24 Volt AC, 90 Degree Rotation	CALL	CALL
270078	Circuit Board w/Selector Switch	139.46	167.58
270077	Gear Set for CVA-24; Set Of 3	87.35	104.96
4231033	Motor For CVA-24	330.39	397.00
CVASCR	Mounting Screws (4) For CVA-24 To Compool Valve	27.43	32.96
CVASCRJ	Mounting Screws (4) For CVA-24 To Pacfab Valve	27.43	32.96
520010Z	Micro-Switch Set (2) With Levers & Screws For CVA-24	126.39	151.87
SK5V	Shaft Coupling CVA-24 To Ortega Valve	73.69	88.55
OVA2	Adapter Kit, CVA-24T To Ortega Valve, 2 In.	159.43	191.57
TRANSFORMERS			
XFM1BK	Transformer Assembly For LX20, LX30, LX36 & LX80	393.44	472.76
XFM3BK	Transformer Assembly For CP3800 Family	393.44	472.76
XFM20	Transformer Assembly For LX120, LX220, LX420 & LX820	206.53	248.17

SPACOMMAND® SPA-SIDE REMOTE REPLACEMENT PARTS



521500

521501

521502

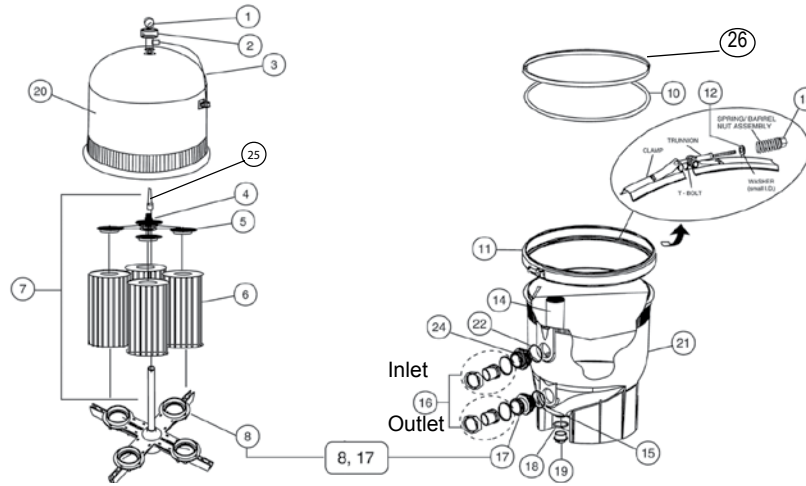
Part No.	Description	US List	Can. List
SPACOMMAND SPA-SIDE REMOTE			
521500	SpaCommand Replacement Plastics Kit	101.56	122.03
521501	SpaCommand Replacement 150 Ft. Cable	208.43	250.45
521502	SpaCommand Replacement 250 Ft. Cable	315.34	378.91
521852	SpaCommand Replacement Control Only (White)	1448.08	1740.01
521853	SpaCommand Replacement Control Only (Black)	1448.08	1740.01
SPACOMMAND LABELS			
521503	SpaCommand Labels White (Qty. 1)	154.99	186.24
521504	SpaCommand Labels Black (Qty. 1)	154.99	186.24
522500	SpaCommand Labels White (Qty. 5)	CALL	CALL
522501	SpaCommand Labels Black (Qty. 5)	CALL	CALL

FILTER PARTS

Product Catalog 2024

CLEAN & CLEAR® PLUS FILTERS

REPLACEMENT PARTS FOR FIBERGLASS REINFORCED POLYPROPYLENE TANK



Item	Part No.	Description	US List	Can. List
CLEAN & CLEAR PLUS FILTERS				
1	190058Z	Gauge, pressure, 1/4 in.	13.45	16.16
2	98209800	High Flow manual air relief valve, HFMARV	52.99	63.67
4	178616	Spring, compression ²	9.97	11.98
5	170026	Manifold, top assembly, 240 sq. ft. ²	122.45	147.14
5	170027	Manifold, top assembly, 320, 420 & 520 sq. ft. ²	115.56	138.86
6	R173572	Cartridge element, 240 sq. ft., 4 req.	157.24	188.94
6	R173573	Cartridge element, 320 sq. ft., 4 req.	201.08	241.62
6	R173576	Cartridge, 420 sq. ft., 4 req. ²	246.69	296.42
6	R173578	Cartridge, 520 sq. ft., 4 req. ²	282.75	339.75
6	179133	CNC Plus 240 Cartridge (4/pk)	341.26	410.06
6	179134	CNC Plus 320 Cartridge (4/pk)	436.04	523.95
6	179135	CNC Plus 420 Cartridge (4/pk)	492.94	592.32
6	179136	CNC Plus 520 Cartridge (4/pk)	625.64	751.77
7	170030	Air bleed tube assembly, 240 sq. ft.	70.04	84.16
7	55028500	Air bleed tube assembly, 360, 420 sq. ft. ¹	CALL	CALL
7	170029	Air bleed tube assembly, 320 sq. ft. ²	71.04	85.36
7	170028	Air bleed tube assembly, 420 sq. ft. ²	72.21	86.77
7	55028400	Air bleed tube assembly, 500 sq. ft. ¹	CALL	CALL
7	178583	Air bleed tube assembly, 520 sq. ft. ²	70.04	84.16
8	170035	Manifold, bottom/pipe assembly, outlet ³	330.26	396.84
8	170040	Manifold, bottom ⁴	92.00	110.55
10	39010200Z	O-ring, clamp	86.28	103.67
11	190003	Clamp kit, tension control	493.21	592.64
12	53006300Z	Washer, .325 i.d. for filter clamp	6.86	8.24
12	195610	Washer, sm. i.d.	10.43	12.53
13	53108900Z	Spring/barrel nut assembly	73.69	88.55
14	190039	Baffle, bulkhead assembly ²	150.71	181.09
15	86006900Z	O-ring, bulkhead, lower	CALL	CALL
16	98960311	Bulkhead union, set ¹	98.83	118.75
16	271096	Bulkhead adapter kit, 2 in. O.D. white	94.27	113.27
16	270004	Bulkhead adapter kit, 2 in. O.D. black	99.60	119.68

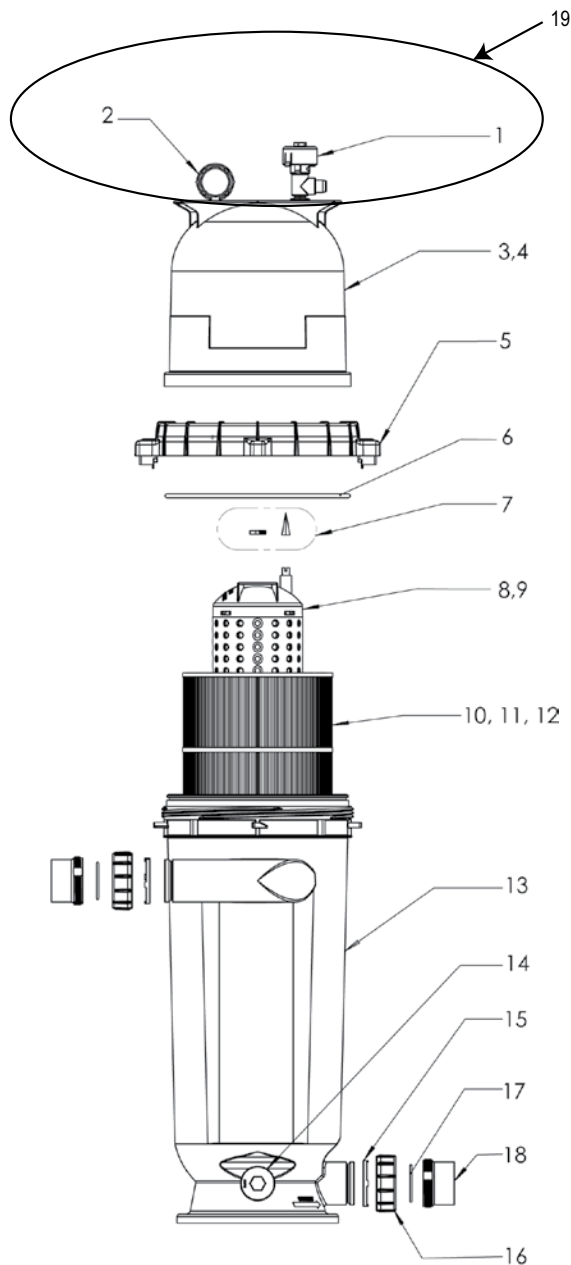
Item	Part No.	Description	US List	Can. List
16	270100	Bulkhead union kit, 2 in. I.D. Black	103.26	124.08
16	274426	Bulkhead adapter kit, 2-1/2 in. x 2 in. I.D. White	CALL	CALL
17	170035	Pipe assembly, outlet/manifold, bottom (includes bulkhead 178575 and O-rings 86006900Z & 3544571) ²	330.26	396.84
18	86300500	Drain cap gasket ¹	7.83	9.41
18	51005000Z	O-ring for drain plug ²	CALL	CALL
18	191474Z	O-ring for drain plug ⁸	CALL	CALL
19	51516200	Drain cap ¹	38.00	45.66
19	86202000	Plug, 1-1/2 in. drain with O-ring ²	29.44	35.38
19	190030Z	Cap plug ⁸	46.11	55.41
20	170023	Tank, lid assembly, 240 sq. ft.	368.86	443.22
20	170024	Tank, lid assembly, 320 sq. ft.	449.19	539.75
20	178581	Tank, lid assembly, 420 sq. ft. ²	513.36	616.85
20	178550	Tank, lid assembly, 500 sq. ft. ¹	CALL	CALL
20	178582	Tank, lid assembly, 520 sq. ft. ²	604.77	726.69
21	178578	Tank, bottom assembly ²	835.41	1003.83
22	192320	O-ring, bulkhead, upper ²	5.85	7.03
22	86006900Z	O-ring, bulkhead, upper & lower ^{1,7}	CALL	CALL
23	195339	SS back-up ring ⁵	112.18	134.80
24	194801	Bulkhead, 2-3/8, 8 buttress thread ²	CALL	CALL
25	190106Z	Air Screen	41.31	49.64
26	195339	RNG Backup Ring SS	112.18	134.80
NOT SHOWN				
	192019	Drain plug wrench	76.83	92.32
	178708	Parts Bag - includes warranty card, instructions, and items 1, 2, and 16.	150.54	180.89

¹ Used on filters manufactured before 11/98.
² Used on filters manufactured after 11/98.
³ Used on filters manufactured between 11/98 thru 12/00.
⁴ Used on filters manufactured after 12/00.
⁵ Used on filters manufactured after 3/03.
⁶ Used on filters manufactured between 3/03, thru 7/1/03.
⁷ Used on filters manufactured after 10/04.
⁸ Used on filters manufactured after 5/21/05.

CLEAN & CLEAR® RP FILTERS

REPLACEMENT PARTS FOR FIBERGLASS REINFORCED POLYPROPYLENE TANK

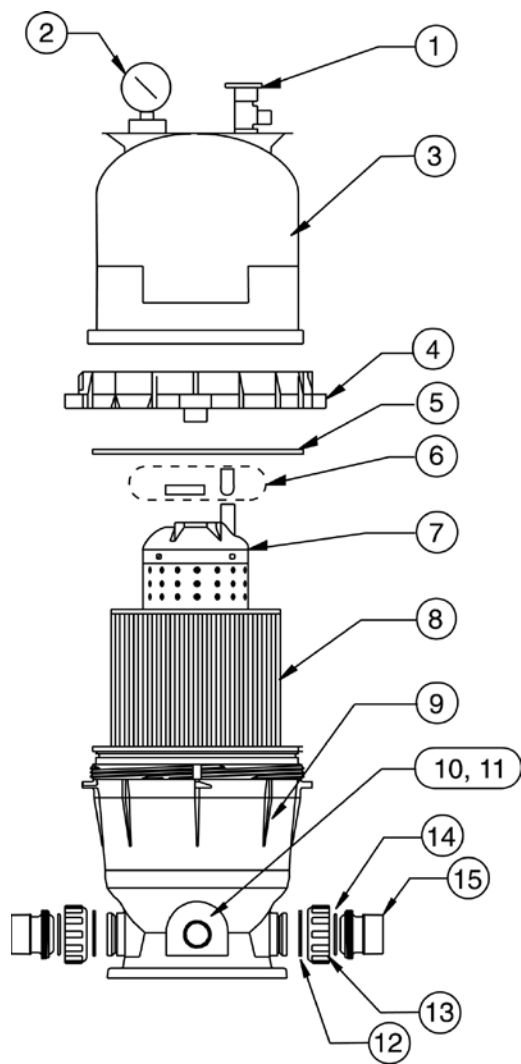
Item	Part No.	Description	US List	Can. List
CLEAN & CLEAR RP FILTERS				
1	98209800	High flow manual air relief valve	52.99	63.67
2	190058Z	Pressure gauge	13.45	16.16
3	178548Z	Lid, 100 sq. ft. filter	230.57	277.05
4	178546Z	Lid, 150, 200 sq. ft. filter	230.57	277.05
5	59052900Z	Locking ring assembly	CALL	CALL
6	87300400Z	Body O-ring	14.97	17.99
7	59016200	Air bleed sock kit	20.31	24.40
8	59053700	Center core, 100 sq. ft. filter	211.37	253.98
9	59053800	Center core, 150, 200 sq. ft. filter	323.92	389.22
10	R173215	Cartridge element, 100 sq. ft. filter	223.63	268.71
11	R173216	Cartridge element, 150 sq. ft. filter	294.64	354.04
12	R173217	Cartridge element, 200 sq. ft. filter	367.74	441.88
13	178731Z	Tank bottom	535.93	643.97
14	154712Z	Drain cap assembly	46.09	55.38
14	191474Z	O-ring	CALL	CALL
14	190030Z	Drain Cap Plug	46.11	55.41
15	178732Z	Union nut "C" clip	11.88	14.28
16	U11-200PSZ	Union nut	16.77	20.15
17	178746Z	Union diamond seal	6.42	7.71
18	178733Z	Union, threaded half	68.08	81.80
19	170096	Air relief kit	140.64	168.99
NOT SHOWN				
	154715Z	Drain cap gasket	CALL	CALL



CALIFORNIA PROPOSITION 65 WARNING
 ⚠️ **WARNING:** Cancer and Reproductive Harm.
 ⚠️ **AVERTISSEMENT:** Peut Causer le Cancer et des Dommages au Système Reproducteur.
 ⚠️ **ADVERTENCIA:** Cáncer y Daño Reproductivo.
www.p65warnings.ca.gov PN 200754

CLEAN & CLEAR® / PREDATOR™ FILTERS

REPLACEMENT PARTS FOR FIBERGLASS REINFORCED POLYPROPYLENE TANK



Item	Part No.	Description	US List	Can. List
CLEAN & CLEAR / PREDATOR FILTERS				
1	98209800	High Flow manual air relief valve	52.99	63.67
2	190058Z	Gauge, pressure	13.45	16.16
3	178553	Lid, 50, 100 sq. ft., almond	247.29	297.14
3	178561	Lid, 75, 150, 200 sq. ft., almond	230.57	277.05
4	59052900Z	Locking ring assembly	CALL	CALL
5	87300400Z	Body O-ring	14.97	17.99
6	59016200	Air bleed sock kit	20.31	24.40
7	59053500	Center core 50 sq. ft.	179.87	216.13
7	59053600	Center core 75 sq. ft.	181.31	217.86
7	59053700	Center core 100 sq. ft.	211.37	253.98
7	59053800	Center core 150, 200 sq. ft.	323.92	389.22
8	R173213	Cartridge element 50 sq. ft.	140.71	169.08
8	R173214	Cartridge element 75 sq. ft.	182.32	219.08
8	R173215	Cartridge element 100 sq. ft.	223.63	268.71
8	R173216	Cartridge element 150 sq. ft.	294.64	354.04
8	R173217	Cartridge element 200 sq. ft.	367.74	441.88
9	178562	Bottom 50 sq. ft., almond	436.51	524.51
9	178554	Bottom 75 sq. ft., almond	433.84	521.30
9	178563	Bottom 100 sq. ft., almond	556.29	668.44
9	178560	Bottom 150, 200 sq. ft., almond	543.11	652.60
10	51516200	Drain cap ¹	38.00	45.66
10	86202000	Plug, 1-1/2 in. drain, w/ O-ring ²	29.44	35.38
11	86300500	Drain cap gasket ¹	7.83	9.41
11	51005000Z	O-ring, drain cap ²	CALL	CALL
12	39104500Z	Union nut "C" clip	CALL	CALL
13	98212200Z	Union nut	CALL	CALL
14	071426Z	O-ring, union	CALL	CALL
15	79304600Z	Body, swivel	CALL	CALL

¹ Used on filters manufactured before 11/98.

² Used on filters manufactured after 11/98.

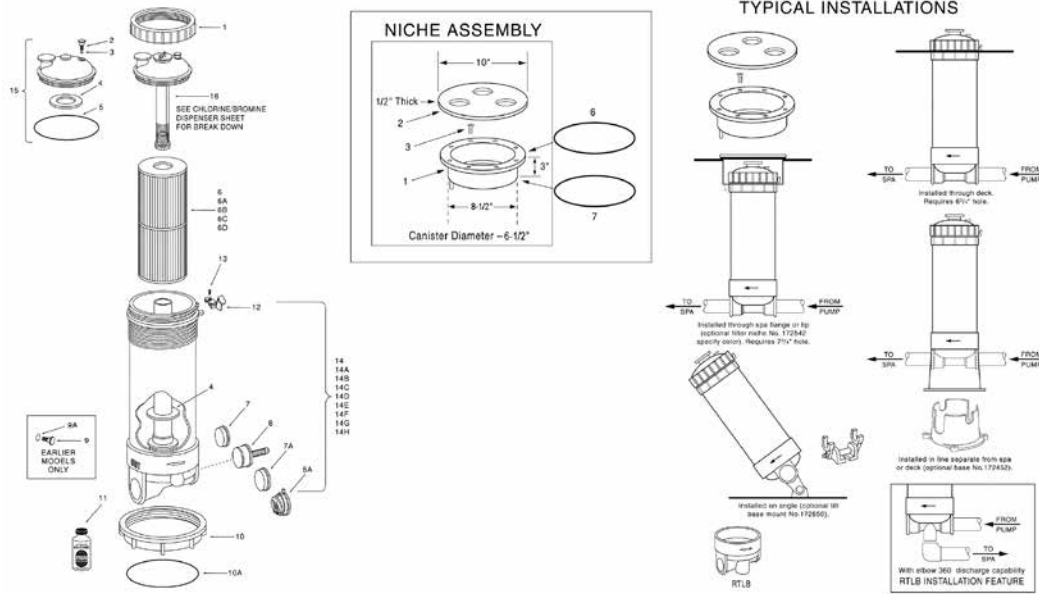
CALIFORNIA PROPOSITION 65 WARNING

⚠ **WARNING:** Cancer and Reproductive Harm.
 ⚠ **AVERTISSEMENT:** Peut Causer le Cancer et des Dommages au Système Reproducteur.
 ⚠ **ADVERTENCIA:** Cáncer y Daño Reproductivo.

www.p65warnings.ca.gov. PN:20174A

DYNAMIC® FILTER SERIES II & III RTL/RCF

REPLACEMENT PARTS



Item	Part No.	Qty.	Description	US List	Can. List
TOP LOAD IN LINE CARTRIDGE FILTER MODEL RTL/RCF 1-1/2 IN. & 2 IN. HIGH FLOW					
1	R172214	1	Lock ring	27.08	32.54
2	R172224XZ	1	Air vent valve	8.82	10.60
3	R172221Z	1	O-ring for air vent valve	2.24	2.69
4	R172222Z	2	Gasket, cartridge	4.27	5.13
5	R172223Z	1	O-ring lid to housing	5.45	6.55
6	R173428	1	25 sq. ft. cartridge, 6 oz. ¹	80.30	96.49
6A	R172327	1	25 sq. ft. cartridge, 3 oz. ¹	47.81	57.45
6B	R173434	1	50 sq. ft. cartridge ¹	101.85	122.38
6C	R173435	1	75 sq. ft. cartridge	125.58	150.90
6D	R172633	1	100 sq. ft. cartridge	145.73	175.11
7	R172225X	1	1-1/2 in. Plug to disable by-pass	2.30	2.76
7A	R172679	1	2 in. Plug to disable by-pass	9.07	10.90
8	R172226X	1	1-1/2 in. By-pass assembly	7.02	8.44
8A	R172684	1	2 in. By-pass assembly	15.31	18.40
8B	R172226XF	1	1-1/2 in. By-pass assembly, low flow	8.27	9.94
9	R172392	2	1/4 in. Access plug, earlier models	8.82	10.60
9A	R172393	2	Access plug O-ring, earlier models	8.82	10.60
10	R172370	1	Bottom locking flange	19.65	23.61
10A	R170070	Opt.	O-ring, locking flange	9.67	11.62
11	R172036Z	Opt.	Silicone lubricant	14.99	18.01
12	R172374	1	Lock spring	8.82	10.60
13	R172375	1	Lock screw	2.24	2.69
14	R172386	1	RTL/RCF-25 housing assembly 1-1/2 in., slip ²	135.88	163.27

Item	Part No.	Qty.	Description	US List	Can. List
14A	R172387	1	RTL/RCF-25 housing assembly 1-1/2 in., FPT ²	135.88	163.27
14B	R172388	1	RTL/RCF-50 housing assembly 1-1/2 in., slip ²	135.88	163.27
14C	R172389	1	RTL/RCF-50 housing assembly, 1-1/2 in., FPT ²	135.87	163.26
14E	R172421	1	RTL/RCF-25 housing assembly, 2 in. slip ²	129.36	155.44
14F	R172428	1	RTL/RCF-50 housing assembly, 2 in. slip ²	129.36	155.44
14G	R172638	1	RTL/RCF-75 housing assembly, 2 in. slip ²	144.50	173.63
14H	R172639	1	RTL/RCF-100 housing assembly, 2 in. slip ²	145.04	174.28
15	R172385	1	Lid assembly, complete	38.94	46.79
16	R172540	1	Chlorine/bromine dispenser, complete, RCF	112.33	134.98
RTL AND RCF NICHE ASSEMBLY (R172542)					
1	R172610DG	1	Niche only, dark grey	23.55	28.30
3	R172612	8	No. 10 x 3/4, SS flat head screw	2.24	2.69
4	R170072	Opt.	O-ring, niche to spa	10.69	12.85
5	R170070	Opt.	O-ring, filter to niche	9.67	11.62
NOT SHOWN					
	R172452	Opt.	Free standing base	18.90	22.71
	R170070	Opt.	O-ring, filter to niche	9.67	11.62
	R170072	Opt.	O-ring, niche to spa	10.69	12.85

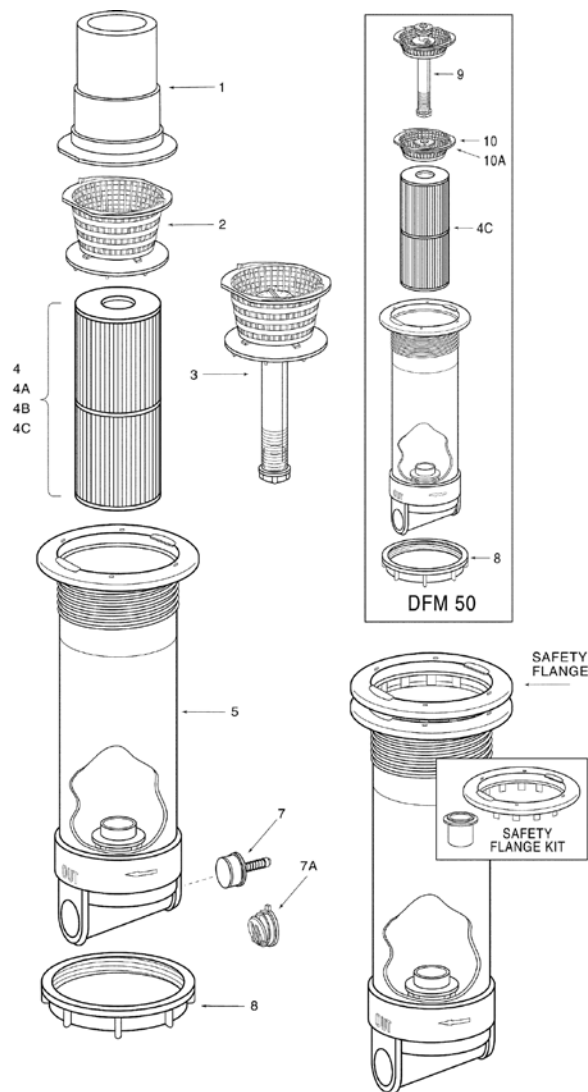
¹ All three cartridges are interchangeable.

² Only one applies to your filter, check model number when ordering.

Note: Specify color of cover and niche desired by adding letters after part no., as follows: SS (sterling silver), WH (white), BLK (black).

DYNAMIC® FILTER SERIES IV - DFM, DFML

REPLACEMENT PARTS



Item	Part No.	Qty.	Description	US List	Can. List
DFML 25C, 25, 35, 50 LILY PAD SKIM FILTER					
1	R172660	1	Lily skimmer float assembly	CALL	CALL
2	R172661	1	Lily basket w/ restrictor assembly	22.81	27.41
3	R172662	1	Lily chemical dispenser w/ basket and restrictor assembly	CALL	CALL
4A	R172327	1	Cartridge, 25 sq. ft., 13-1/4	47.81	57.45
4B	R173431	1	Cartridge, 35 sq. ft., 9-1/4	82.79	99.48
4C	R173434	1	Cartridge, 50 sq. ft., 13-1/4	101.85	122.38
5	R172665X	1	Housing only DFML-25 WH compact w/safety flange	155.93	187.37
7	R172682	1	2 in. By-pass assembly	11.64	13.99
8	R172370	1	Bottom locking flange	19.65	23.61
DFM 50 LOW PROFILE, NO WEIR					
9	R172562	1	Chemical dispenser w/ short basket	92.35	110.97
10	R22113	1	Basket assembly, short	9.50	11.42
10A	R172686	Opt	Basket short w/ restrictor assembly	23.58	28.33

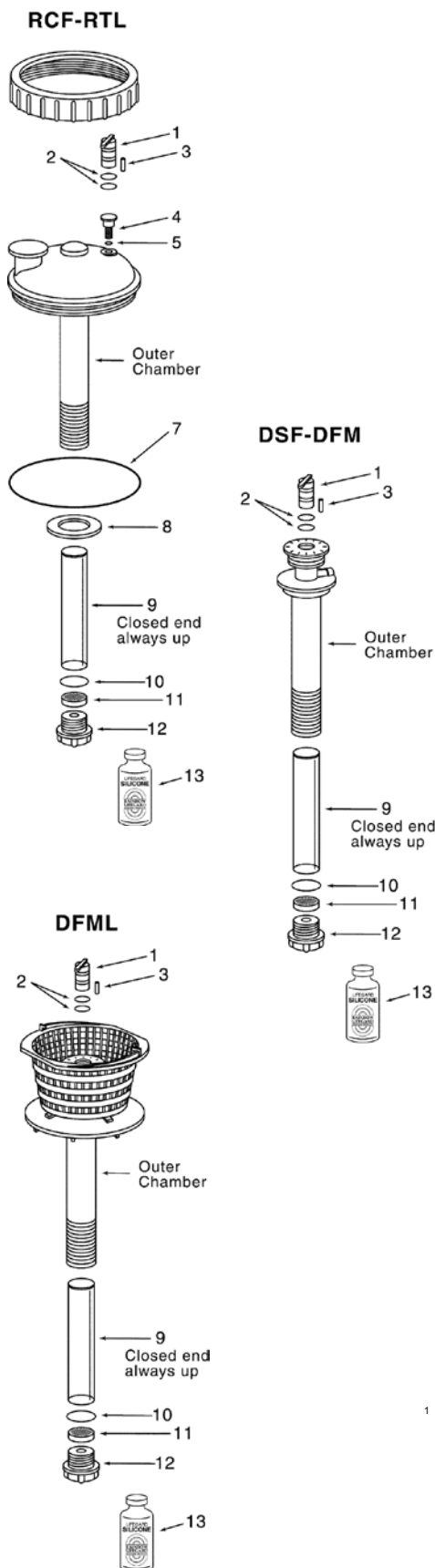
CALIFORNIA PROPOSITION 65 WARNING

⚠ **WARNING:** Cancer and Reproductive Harm.
 ⚠ **AVERTISSEMENT:** Peut Causer le Cancer et des Dommages au Système Reproducteur.
 ⚠ **ADVERTENCIA:** Cáncer y Daño Reproductivo.

www.p65warnings.ca.gov. P650714

DYNAMIC® FILTER SERIES CHLORINE/BROMINE DISPENSERS

REPLACEMENT PARTS



Item	Part No.	Qty.	Description	US List	Can. List
CHLORINE/BROMINE DISPENSER (R172540/R172540F FOR RCF-RTL)					
1	R172399	1	Control valve stem	8.82	10.60
2	R33017	2	O-ring, control valve	0.59	0.71
3	R18854	1	Stop pin	2.30	2.76
4	R172224XZ	1	Air vent valve	8.82	10.60
5	R172221Z	1	O-ring for air vent valve	2.24	2.69
6	R172400	1	Inlet screen ¹	2.30	2.76
7	R172223Z	1	O-ring lid to housing	5.45	6.55
8	R172222Z	1	Gasket, cartridge	4.27	5.13
9	R172457	1	Replacement inner chamber	11.80	14.18
10	R172451	1	O-ring, check valve	2.24	2.69
11	R172401	1	Screen, check valve ¹	2.30	2.76
12	R172406	1	Check valve assembly	CALL	CALL
13	R172036Z	Opt.	Silicone lubricant	14.99	18.01
CHLORINE/BROMINE DISPENSER (R172560 FOR DSF-DFM)					
1	R172399	1	Control valve stem	8.82	10.60
2	R33017	2	O-ring, control valve	0.59	0.71
3	R18854	1	Stop pin	2.30	2.76
6	R172400	1	Inlet screen ¹	2.30	2.76
9	R172457	1	Replacement inner chamber	11.80	14.18
10	R172451	1	O-ring, check valve	2.24	2.69
11	R172401	1	Screen, check valve ¹	2.30	2.76
12	R172406	1	Check valve assembly	CALL	CALL
13	R172036Z	Opt.	Silicone lubricant	14.99	18.01
CHLORINE/BROMINE DISPENSER WITH BASKET (R172662 FOR DFML)					
1	R172399	1	Control valve stem	8.82	10.60
2	R33017	2	O-ring, control valve	0.59	0.71
3	R18854	1	Stop pin	2.30	2.76
6	R172400	1	Inlet screen ¹	2.30	2.76
9	R172457	1	Replacement inner chamber	11.80	14.18
10	R172451	1	O-ring, check valve	2.24	2.69
11	R172401	1	Screen, check valve ¹	2.30	2.76
12	R172406	1	Check valve assembly	CALL	CALL
13	R172036Z	Opt.	Silicone lubricant	14.99	18.01

¹ Item No. 6 and No. 11 screens are snapped into place and can easily be removed for cleaning or replacement.

CALIFORNIA PROPOSITION 65 WARNING
 ⚠️ **WARNING:** Cancer and Reproductive Harm.
 ⚠️ **AVERTISSEMENT:** Peut Causer le Cancer et des Dommages au Système Reproducteur.
 ⚠️ **ADVERTENCIA:** Cáncer y Daño Reproductivo.
www.p65warnings.ca.gov PH 202114

SYSTEM:3[®] MODULAR MEDIA FILTERS

SM SERIES REPLACEMENT PARTS



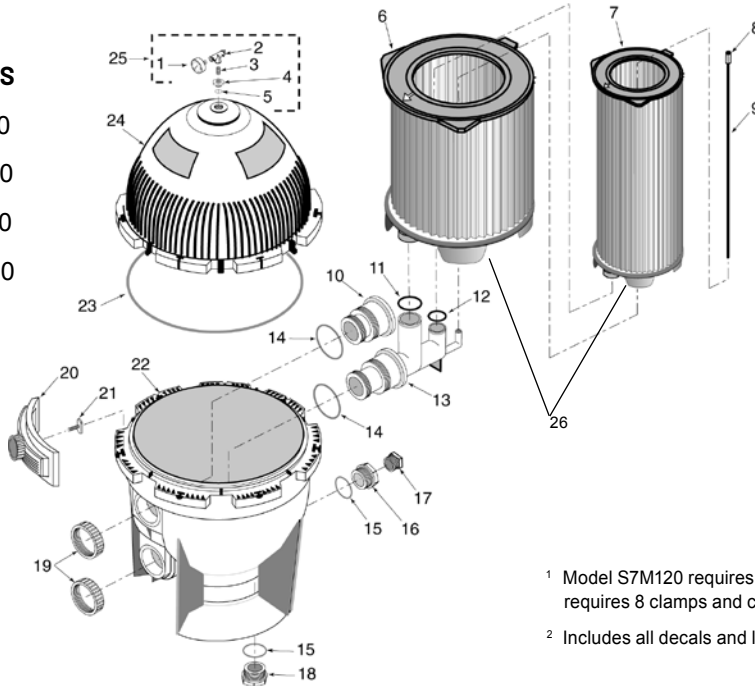
MODELS

S7M120

S7M400

S8M150

S8M500



CALIFORNIA PROPOSITION 65 WARNING
 ⚠️ **WARNING:** Cancer and Reproductive Harm.
 ⚠️ **AVERTISSEMENT:** Peut Causer le Cancer et des Dommages au Système Reproducteur.
 ⚠️ **ADVERTENCIA:** Cáncer y Daño Reproductivo.
www.p65warnings.ca.gov P192027A

¹ Model S7M120 requires 7 clamps and clamp bolts. Model S8M 150 requires 8 clamps and clamp bolts.

² Includes all decals and labels.

Item	Part No.	Description	US List	Can. List
SYSTEM:3 MODULAR MEDIA FILTERS				
1	33600-0023T	2 in. Gauge	69.39	83.38
2	154689Z	Air Release Valve	44.04	52.92
3	35202-0959	Nipple	20.35	24.45
4	24900-0504	Adapter Bushing	27.10	32.56
5	35505-1423	O-Ring	2.91	3.50
6	25022-0201S	Large Cartridge (S7M120, 21 in. Filter)	773.80	929.80
6	25022-0224S	Large Cartridge (S7M400, 21 in. Filter)	1059.04	1272.54
6	25022-0203S	Large Cartridge (S8M150, 25 in. Filter)	1049.09	1260.59
6	25022-0225S	Large Cartridge (S8M500, 25 in. Filter)	1083.82	1302.32
7	25021-0200S	Small Cartridge (S7M120)	389.40	467.90
7	25021-0223S	Small Cartridge (S7M400)	431.56	518.56
7	25021-0202S	Small Cartridge (S8M150)	644.81	774.80
7	25021-0224S	Small Cartridge (S8M500)	778.75	935.75
8	WC8-126Z	Air Bleed Filter	22.28	26.77
9	25021-0003Z	Air Bleed Tube	CALL	CALL
10	25021-0101	Baffle and Bulkhead Fitting	103.43	124.28
11	35505-1428	O-Ring	8.39	10.08
12	35505-1429Z	O-Ring	CALL	CALL
13	25021-0100	Elbow and Bulkhead Assembly	154.06	185.12
14	35505-1425	O-Ring	22.43	26.95
15	35505-1424	O-Ring	13.45	16.16
16	24900-0509	Adapter Fitting	41.68	50.08
17	27001-0022	1-1/2 in. NPT Plug	4.28	5.14
18	24900-0503	Drain Plug	41.47	49.83

Item	Part No.	Description	US List	Can. List
19	24752-0050	Bulkhead Retaining Nut	35.82	43.04
20	24850-0200	Clamp Assembly ¹	189.65	227.88
21	24850-0010	Clamp Bolt ¹	45.92	55.18
22	24850-0102S	Lower Tank Half, 21 in. Filter	1622.19	1949.22
22	24851-0103S	Lower Tank Half, 25 in. Filter	1832.86	2202.36
23	24850-0008Z	Cord Ring, 21 in. Filter	CALL	CALL
23	24850-0009	Cord Ring, 25 in. Filter	106.39	127.84
24	24851-9000	Upper Tank Half Kit, 21 in. Filter ²	1452.68	1745.54
24	24851-9001	Upper Tank Half Kit, 25 in. Filter ²	1786.83	2147.05
25	24850-0105	Valve & Gauge Assembly (Includes #1, 2, 3, 4, 5)	145.19	174.46
26	170145	S7M120 Inner/Outer Cartridge Pack	778.84	935.85
26	170146	S7M400 Inner/Outer Cartridge Pack	1070.89	1286.78
26	170147	S8M150 Inner/Outer Cartridge Pack	1265.59	1520.73
26	170148	S8M500 Inner/Outer Cartridge Pack	1655.01	1988.66

NOT SHOWN				
	24850-0016	Clamp Retaining Ring ¹	9.76	11.73
	U11-196PSZ	Adapter Union 2 in. Slip	13.86	16.65
	U11-200PSZ	Union Collar 2 in.	16.77	20.15
	PKG 188Z	2 in. Slip 1/2 Union Kit	46.96	56.43
	U9-362Z	O-Ring	CALL	CALL
	25021-0021	Modular media Conversion Kit (Includes #10, 11, 12, 13, 14, 19. Must also purchase item 6 and 7 separately)	464.65	558.32

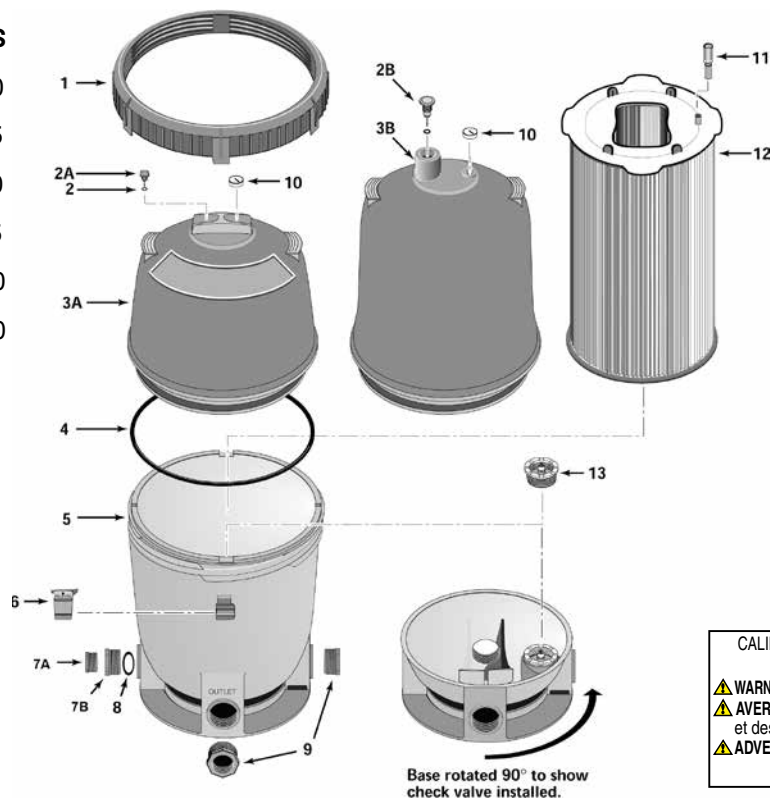
SYSTEM:2™ MODULAR MEDIA FILTERS

PLM SERIES REPLACEMENT PARTS



MODELS

- PLM100
- PLM125
- PLM150
- PLM175
- PLM200
- PLM300



CALIFORNIA PROPOSITION 65 WARNING
 ⚠️ WARNING: Cancer and Reproductive Harm.
 ⚠️ AVERTISSEMENT: Peut Causer le Cancer et des Dommages au Système Reproducteur.
 ⚠️ ADVERTENCIA: Cáncer y Daño Reproductivo.
www.p65warnings.ca.gov PLM201714A

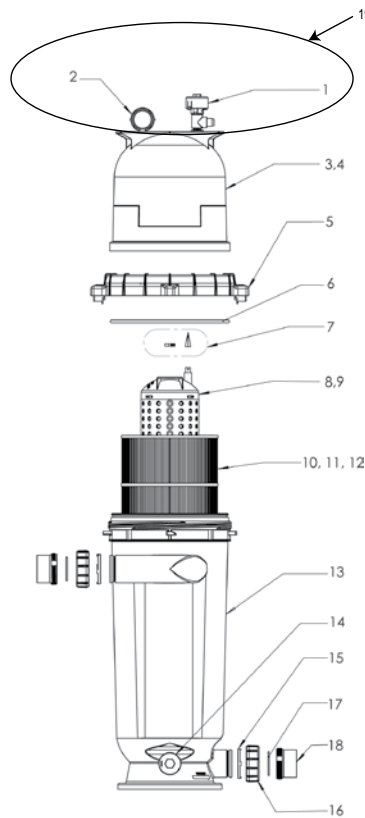
Item	Part No.	Description	US List	Can. List
SYSTEM:2 MODULAR MEDIA FILTERS				
1	27001-0054S	Posi-Lok™ ring	306.80	368.65
2	U9-359Z	O-ring	CALL	CALL
2A	25010-0200	Air release valve assy. w/ O-ring P/N U9-359Z	27.56	33.12
2B	24206-0103S	Air vent stem w/ O-ring P/N 35505-7439	15.64	18.79
3A	27001-0020S	Tank shell upper half ^{1,5} Models PLM100, PLM125, PLM150, PLM175, PLM200	459.47	552.10
3B	27001-0030S	Tank shell upper half ^{1,5} Model PLM300	722.73	868.43
4	27001-0061S	Cord-ring	80.05	96.19
4	27001-0060S	Cord-ring (Pre 3/97) Models PLM100, PLM150	79.34	95.33
5	27001-0009S	Tank shell lower half ^{4,5}	780.52	937.87
6	27001-0051	Safety latch for ring	21.59	25.94
7A	27001-0022	1-1/2 in. NPT plug	4.28	5.14
7B	24900-0510	Adapter fitting	41.68	50.08
8	35505-1424	O-ring	13.45	16.16
9	U78-820P	2 in. x 1-1/2 in. Pipe reducer ²	19.77	23.76

Item	Part No.	Description	US List	Can. List
10	15060-0000T	Pressure gauge ³	66.47	79.87
11	24800-0121	Air bleed assembly	26.64	32.01
12	27002-0100S	Filter module - Model PLM100	407.87	490.10
12	27002-0125S	Filter module - Model PLM125	491.45	590.53
12	27002-0150S	Filter module - Model PLM150	605.45	727.51
12	27002-0175S	Filter module - Model PLM175	681.42	818.79
12	27002-0200S	Filter module - Model PLM200	759.99	913.20
12	27002-0300S	Filter module - Model PLM300	977.83	1174.96
13	27001-0130S	Spring check valve ²	33.29	40.00
NOT SHOWN				
	33455-1050	Spring check valve gasket	5.98	7.19

¹ Includes all decals and labels.
² Optional Equipment.
³ Shipped in accessory package.
⁴ Includes 24900-0510 adapter fitting, 27001-0051 safety latch, & 27001-0054 Posi-Lok™ ring.
⁵ Filters manufactured before 2005 should also purchase a top and bottom.

POSI-CLEAR™ RP FILTERS

PXC SERIES REPLACEMENT PARTS

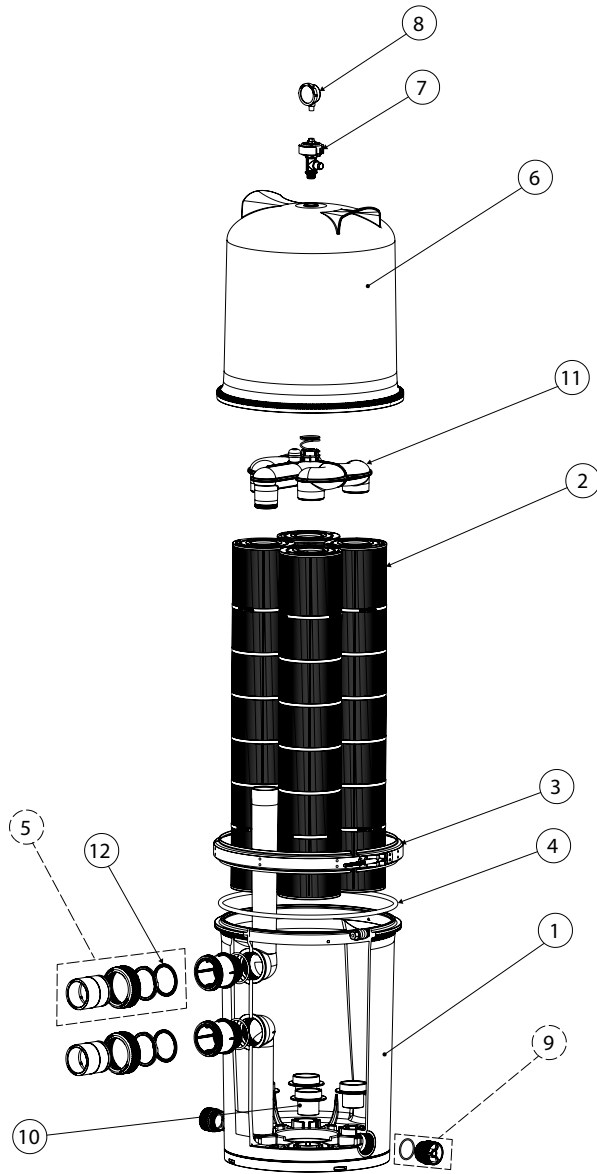


CALIFORNIA PROPOSITION 65 WARNING
 ⚠️ **WARNING:** Cancer and Reproductive Harm.
 ⚠️ **AVERTISSEMENT:** Peut Causer le Cancer et des Dommages au Système Reproducteur.
 ⚠️ **ADVERTENCIA:** Cáncer y Daño Reproductivo.
www.p65warnings.ca.gov P182017A

Item	Part No.	Description	US List	Can. List
POSI-CLEAR RP FILTERS				
1	98209800	High flow manual air relief valve	52.99	63.67
2	190058Z	Pressure gauge	13.45	16.16
3	59053001Z	Lid, 100 sq. ft. filter	247.29	297.14
4	178745Z	Lid, 150, 200 sq. ft. filter	230.57	277.05
5	59052900Z	Locking ring assembly	CALL	CALL
6	87300400Z	Body O-ring	14.97	17.99
7	59016200	Air bleed sock kit	20.31	24.40
8	59053700	Center core, 100 sq. ft. filter	211.37	253.98
9	59053800	Center core, 150, 200 sq. ft. filter	323.92	389.22
10	R173215	Cartridge element, 100 sq. ft. filter	223.63	268.71
11	R173216	Cartridge element, 150 sq. ft. filter	294.64	354.04
12	R173217	Cartridge element, 200 sq. ft. filter	367.74	441.88
13	178743Z	Tank bottom	535.93	643.97
14	190030Z	Drain	46.11	55.41
14	191474Z	O-ring	CALL	CALL
15	178732Z	Union nut "C" clip	11.88	14.28
16	U11-200PSZ	Union nut	16.77	20.15
17	178746Z	Union diamond seal	6.42	7.71
18	178733Z	Union, threaded half	68.08	81.80
19	170097	Air Relief Parts Kits	140.64	168.99

FULLFLOXF®

HIGH EFFICIENCY FILTERS REPLACEMENT PARTS



Item	Part No.	Description	US List	Can. List
FULLFLOXF Q-SERIES				
1*	175403	Tank Bottom	2550.10	3064.20
2	178750z	Filter Cartridge (Qty 4)	354.64	426.14
3	190003	Clamp Ring Assembly	493.21	592.64
4	39010200z	O-ring, Tank	86.28	103.67
5	178829	Bulkhead Kit (Qty 2)	40.56	48.74
6	178833	Tank Lid	CALL	CALL
7	98209800	Manual Air Relief Valve	52.99	63.67
8	190058z	Pressure Gauge	13.45	16.16
9	178816	Drain Plug Kit	CALL	CALL
10	178697z	Support Pipe (Qty 4)	26.40	31.72
11	178838	Top Manifold Kit	142.91	171.72
12	410016z	Diamond Seal Kit	18.28	21.97
NOT SHOWN				
—	178840	Anchor Clamp Kit	60.66	72.89

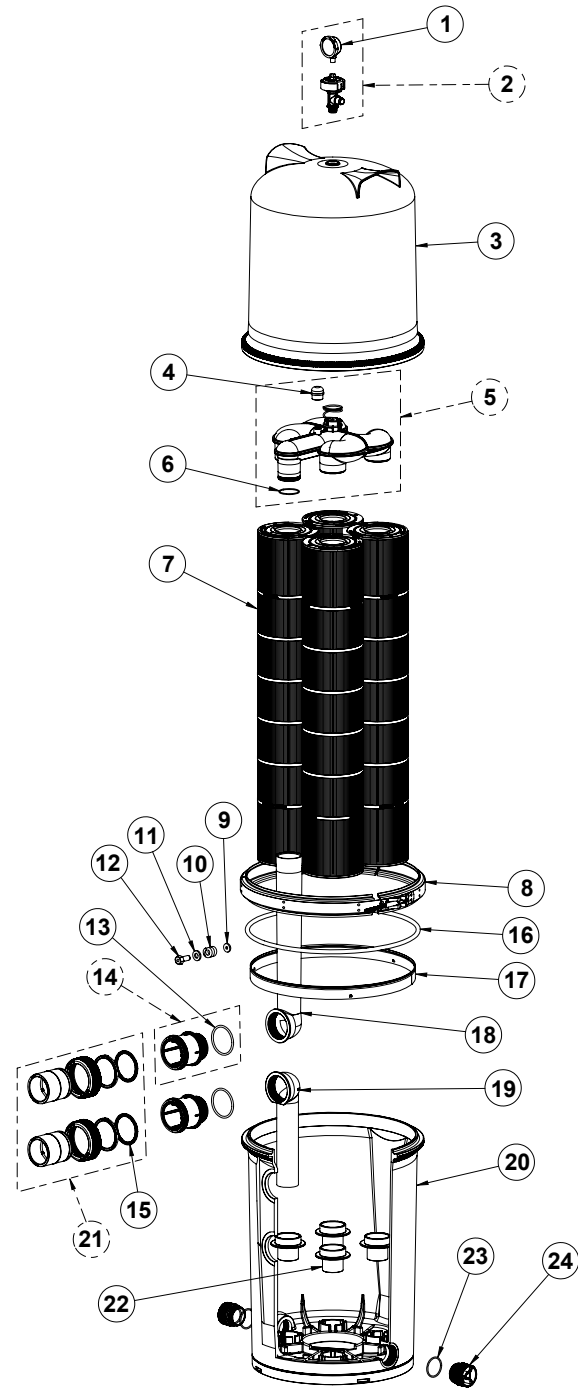
(*) - Tank Bottom (item #1) includes items 5 and 9.

FULLFLOXF®

HIGH EFFICIENCY FILTERS REPLACEMENT PARTS

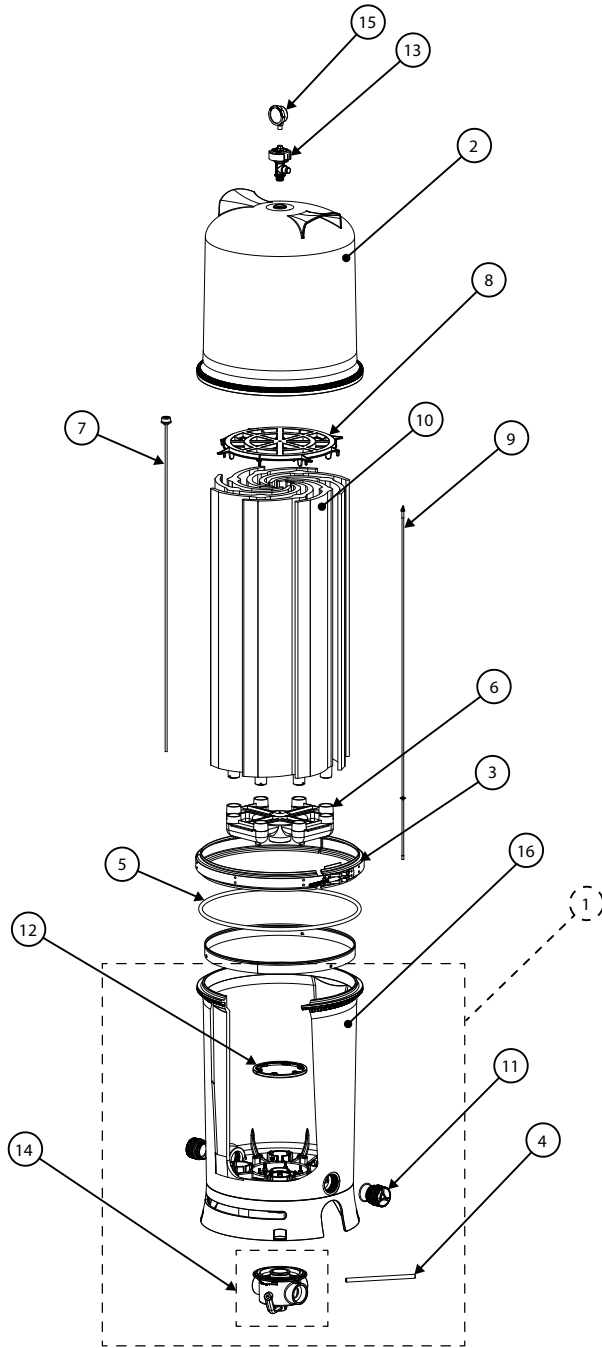
Item	Part No.	Description	US List	Can. List
FULLFLOXF C-SERIES				
1	190058z	Pressure Gauge	13.45	16.16
2	98209800	Manual Air Relief Valve	52.99	63.67
3	178810	Tank Lid	CALL	CALL
4	190106z	Air Bleed Screen Cap	41.31	49.64
5	178838	Top Manifold Kit	142.91	171.72
6	192323Z	O-ring, Manifold	CALL	CALL
7	170102	Filter Cartridge (Qty 4)	317.55	381.57
8	190003	Clamp Ring Assembly	493.21	592.64
9	195610	Clamp Washer, Small	10.43	12.53
10	195612	Clamp Spring	36.88	44.32
11	195611	Clamp Washer, Large	11.22	13.48
12	194997	Clamp Barrel Nut	CALL	CALL
13	R170055	O-ring, Bulkhead (Qty 2)	8.82	10.60
14	178829	Bulkhead Kit (Qty 2)	40.56	48.74
15	410016z	Diamond Seal Kit	18.28	21.97
16	39010200z	O-ring, Tank	86.28	103.67
17	195339	Backup Ring	112.18	134.80
18	178691z	Pipe Outlet	88.98	106.92
19	198249z	Pipe Inlet	47.28	56.81
20*	178830	Tank Bottom	2554.83	3069.88
21	410020z	Union Kit	CALL	CALL
22	178697z	Support Pipe (Qty 4)	26.40	31.72
23	273062Z	O-ring, Drain (Qty 2)	CALL	CALL
24	178816	Drain Plug (Qty 2)	CALL	CALL
NOT SHOWN				
—	178840	Anchor Clamp Kit	60.66	72.89

(*) - Tank Bottom (item #20) includes items 14, 17, 18, 19 and 24



FULLFLOXF®

HIGH EFFICIENCY FILTERS REPLACEMENT PARTS

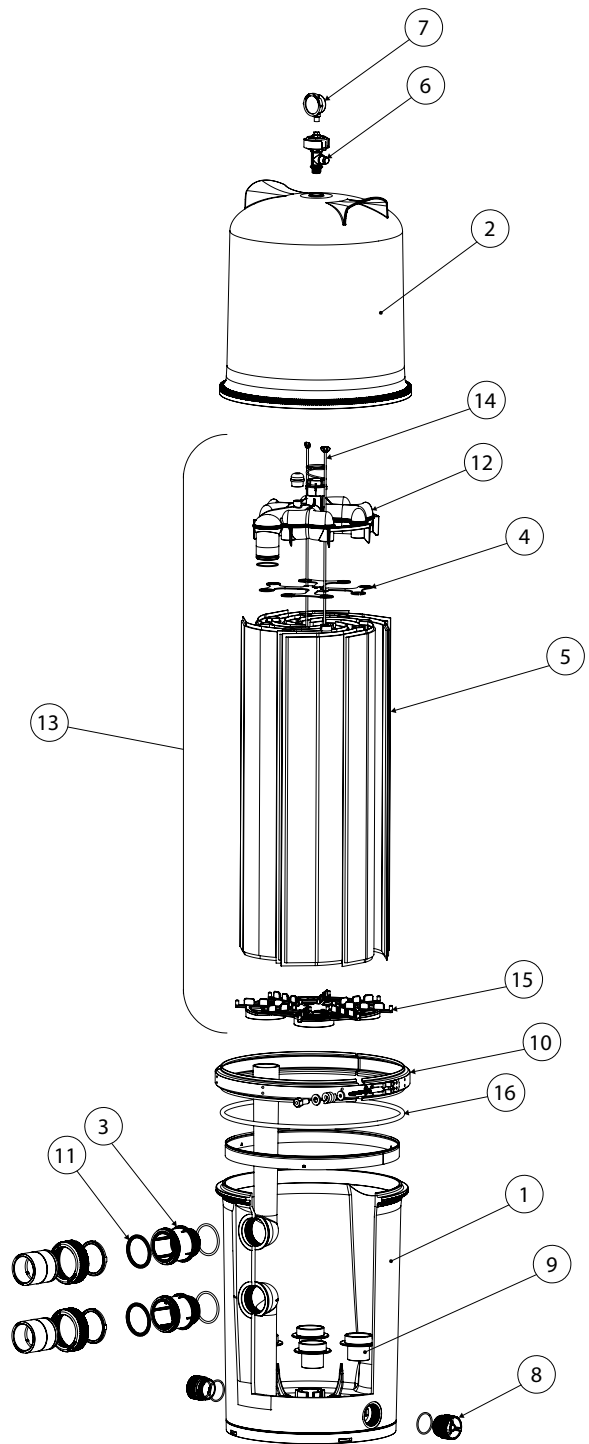


Item	Part No.	Description	US List	Can. List
FULLFLOXF FV-SERIES				
1	178815	Tank Bottom Assembly	CALL	CALL
2	178810	Tank Lid	CALL	CALL
3	190003	Clamp Ring Assembly	493.21	592.64
4	178817	Valve Handle	CALL	CALL
5	39010200z	O-ring, Tank	86.28	103.67
6	178827	Bottom Manifold with Vent Tube	CALL	CALL
7	178814	Center Rod and Washer	CALL	CALL
8	071019Z	Holding Wheel	53.59	64.39
9	178818	Air Bleed Tube	CALL	CALL
10	074926	Grid Element (Qty 8)	92.90	111.63
11	178816	Drain Plug and O-ring	CALL	CALL
12	178820	Ring Compression Kit	CALL	CALL
13	98209800	Manual Air Relief Valve	52.99	63.67
14	178828	Backwash Valve Assembly	CALL	CALL
15	190058z	Pressure Gauge	13.45	16.16
16	178821	Tank Bottom	CALL	CALL
NOT SHOWN				
—	178840	Anchor Clamp Kit	60.66	72.89
—	073370	Rotor and Seal	225.41	270.85

FULLFLOXF®

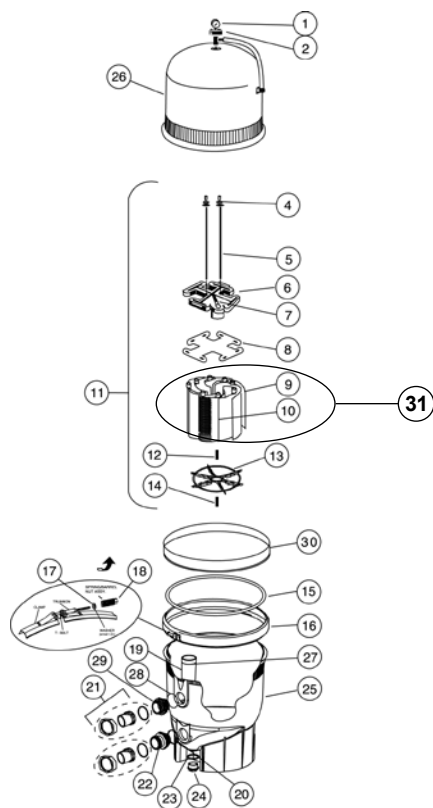
HIGH EFFICIENCY FILTERS REPLACEMENT PARTS

Item	Part No.	Description	US List	Can. List
FULLFLOXF F-SERIES				
1	176203	Tank Bottom	2543.04	3055.72
2	178810	Tank Lid	CALL	CALL
3	178829	Bulkhead Kit (Qty 2)	40.56	48.74
4	59003600	Filter Grid Assembly (Qty 7)	85.54	102.78
5	59003500	Filter Grid	88.78	106.68
6	98209800	Manual Air Relief Valve	52.99	63.67
7	190058z	Pressure Gauge	13.45	16.16
8	178816	Drain Plug (Qty 2)	CALL	CALL
9	178697z	Support Pipe (Qty 4)	26.40	31.72
10	190003	Clamp Ring Assembly	493.21	592.64
11	410016z	Diamond Seal Kit	18.28	21.97
12	178200	Top Manifold	181.62	218.23
13	178903	Element Grid Assembly	1121.99	1348.18
14	173703	Tie Rod	84.54	101.58
15	198245z	Grid Locator	144.78	173.97
16	39010200z	O-ring, Tank	86.28	103.67
NOT SHOWN				
—	196052	Parts Kit	CALL	CALL
—	178840	Anchor Clamp Kit	60.66	72.89



FNS® PLUS FILTERS

REPLACEMENT PARTS FOR VERTICAL GRID FILTERS



Item	Part No.	Description	US List	Can. List
FNS PLUS FILTERS				
1	190058Z	Gauge, pressure	13.45	16.16
2	98209800	High Flow manual air relief valve, HFMARV	52.99	63.67
4	071404Z	Wing nut	21.92	26.34
5	59000800	Tie rod, 24 sq. ft. filter	56.75	68.19
5	59001500	Tie rod, 36 sq. ft. filter	60.72	72.96
5	59002100	Tie rod, 48 sq. ft. filter	CALL	CALL
5	59002700	Tie rod, 60 sq. ft. filter	66.32	79.69
6	59023700	Manifold, top w/air bleed	228.99	275.15
7	190092	Internal ail bleed assembly Pre 10/09 - porous white material After 10/09 - stainless steel mesh	41.53	49.90
8	98725800	Template, filter	11.87	14.26
9	59001100	Grid, lg. 12 in., 24 sq. ft. filter, 7 req.	CALL	CALL
9	59001800	Grid, lg. 18 in., 36 sq. ft. filter, 7 req.	CALL	CALL
9	59002400	Grid, lg. 24 in., 48 sq. ft. filter, 7 req.	53.42	64.19
9	59003000	Grid, lg. 30 in., 60 sq. ft. filter, 7 req.	66.77	80.23
10	59001000	Grid, sm. 12 in., 24 sq. ft. filter, 1 req.	36.95	44.40
10	59002300	Grid, sm. 24 in., 48 sq. ft. filter, 1 req.	CALL	CALL
10	59002900	Grid, sm. 30 in., 60 sq. ft. filter, 1 req.	CALL	CALL
10	59001700	Grid, sm. 18 in., 36 sq. ft. filter, 1 req.	45.35	54.49
11	59023800	Assembly, element grid, complete, 24 sq. ft. filter	678.49	815.27
11	59023500	Assembly, element grid, complete, 36 sq. ft. filter	604.87	726.81

Item	Part No.	Description	US List	Can. List
FNS PLUS FILTERS				
11	59023400	Assembly, element grid, complete, - 48 sq. ft. filter	685.42	823.60
11	59023300	Assembly, element grid, complete, - 60 sq. ft. filter	725.90	872.24
12	98211400	Nut, 1/4-20, plated brass	3.93	4.72
13	59000500	Spider, grid locator	122.45	147.14
14	58001000	Nut, lock, hex, nylon	3.19	3.83
15	39010200Z	O-ring, tank clamp, .470 O.D.	86.28	103.67
16	190003	Clamp, kit	493.21	592.64
17	195610	Washer, .325 i.d. for filter clamp	10.43	12.53
18	53108900Z	Spring/barrel nut assembly	73.69	88.55
19	190034	Assembly, standpipe, outlet, 24 sq. ft. filter, 4-3/8 in. tall	99.60	119.68
19	190035	Assembly, standpipe, outlet, 36 sq. ft. filter, 10-3/8 in. tall	106.76	128.28
19	190036	Assembly, standpipe, outlet, 48 sq. ft. filter, 16-3/8 in. tall	123.49	148.39
19	190037	Assembly, standpipe, outlet, 60 sq. ft. filter, 22-3/8 in. tall	116.34	139.79
20	86006900Z	O-ring, bulkhead	CALL	CALL
21	271096	Bulkhead union, set (Optional)	94.27	113.27
21	270100	Valve Adapter Kit, 2 in. Black (Optional)	103.26	124.08
22	190043	Assembly, pipe, inlet, includes bulkhead	165.34	198.67
23	51005000Z	O-ring for drain plug	CALL	CALL
23	191474Z	O-ring for drain plug ³	CALL	CALL
24	86202000	Plug, 1-1/2 in. drain, w/ O-ring	29.44	35.38
24	190030Z	Cap drain ³	46.11	55.41
25	170015	Tank bottom, assembly, 24 sq. ft. filter	786.19	944.69
25	170016	Tank bottom, assembly, 36 sq. ft. filter	779.81	937.02
25	170017	Tank bottom, assembly, 48 sq. ft. filter	787.47	946.22
25	170018	Tank bottom, assembly, 60 sq. ft. filter	791.07	950.55
26	170019	Tank lid, 24 sq. ft. filter	365.59	439.29
26	170020	Tank lid, 36 sq. ft. filter	445.40	535.19
26	170021	Tank lid, 48 sq. ft. filter	539.27	647.99
26	170022	Tank lid, 60 sq. ft. filter	628.93	755.72
27	59000600	O-ring, bulkhead	CALL	CALL
28	192320	O-ring 2-137 Buna N 70SH ¹	5.85	7.03
28	86006900Z	O-ring bulkhead ²	CALL	CALL
29	190141	Bulkhead Kit, 2 in. w/ O-ring ²	164.62	197.81
30	195339	SS back-up ring ⁴	112.18	134.80
31	198080	24 Grid Element Pack (7 large, 1 small)	265.41	318.92
31	198081	36 Grid Element Pack (7 large, 1 small)	303.35	364.51
31	198082	48 Grid Element Pack (7 large, 1 small)	398.16	478.43
31	198083	60 Grid Element Pack (7 large, 1 small)	436.04	523.95
NOT SHOWN				
	192019	Wrench, drain plug	76.83	92.32
	196019	Parts Bag (Includes warranty card, instruction book, and items 1 and 2)	106.53	128.01

¹ Used on filters manufactured before 10/04.

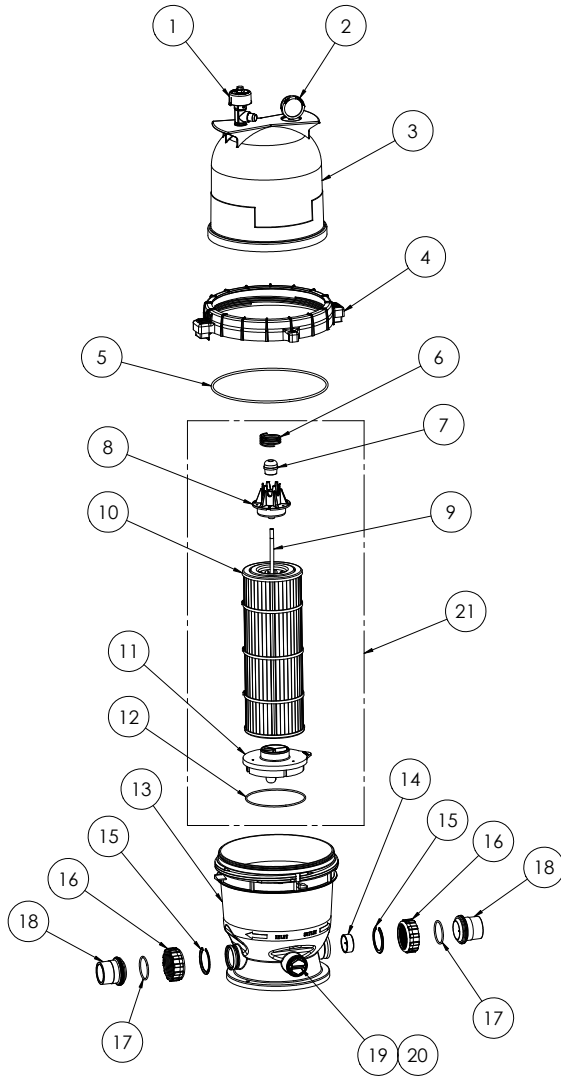
³ Used on filters manufactured after 5/21/05.

² Used on filters manufactured after 10/04.

⁴ Used on filters manufactured after 2/03.

EASYSOON™ D.E. FILTERS

REPLACEMENT PARTS



Item	Part No.	Description	US List	Can. List
EASYSOON FILTER SYSTEMS				
1	98209800	High Flow Manual Air Relief Valve	52.99	63.67
2	190058Z	Pressure Gauge	13.45	16.16
3	178561	Lid, Almond	230.57	277.05
4	59052900Z	Locking Ring Assy	CALL	CALL
5	87300400Z	Body O-Ring	14.97	17.99
6	178616	Compression Spring	9.97	11.98
7	190106Z	Air Bleeder	41.31	49.64
8	178626	Center Core Top, EC	28.15	33.83
9	U37-3/8P	Air Bleeder Tube, EC60	CALL	CALL
9	U37-3/8P	Air Bleeder Tube, EC90	CALL	CALL
10	178757	Cartridge Element, EC60	131.24	157.70
10	178656	Cartridge Element, EC90	CALL	CALL
11	178627	Center Core Bottom, EC	24.59	29.55
12	071422	O-Ring, Center Core	10.70	12.86
13	178562	Tank Bottom, EC60	436.51	524.51
13	178563	Tank Bottom, EC90	556.29	668.44
14	51516100	Check Valve Kit	61.53	73.93
15	39104500Z	C-Clip (Union Nut)	CALL	CALL
16	98212200Z	Union Nut	CALL	CALL
17	071426Z	O-Ring, Union	CALL	CALL
18	79304600Z	Body Swivel	CALL	CALL
19	86202000	Drain Cap with O-Ring	29.44	35.38
20	51005000Z	O-Ring Drain Cap	CALL	CALL
21 ¹	196060	Element Retro Kit, EC60	210.93	253.45
21 ¹	196090	Element Retro Kit, EC90	304.68	366.10
NOT SHOWN				
	155151	Flex Hose Kit (6 ft.) *	151.09	181.55
	155005	Flex Hose Kit (12 ft.) *	199.40	239.60

CALIFORNIA PROPOSITION 65 WARNING

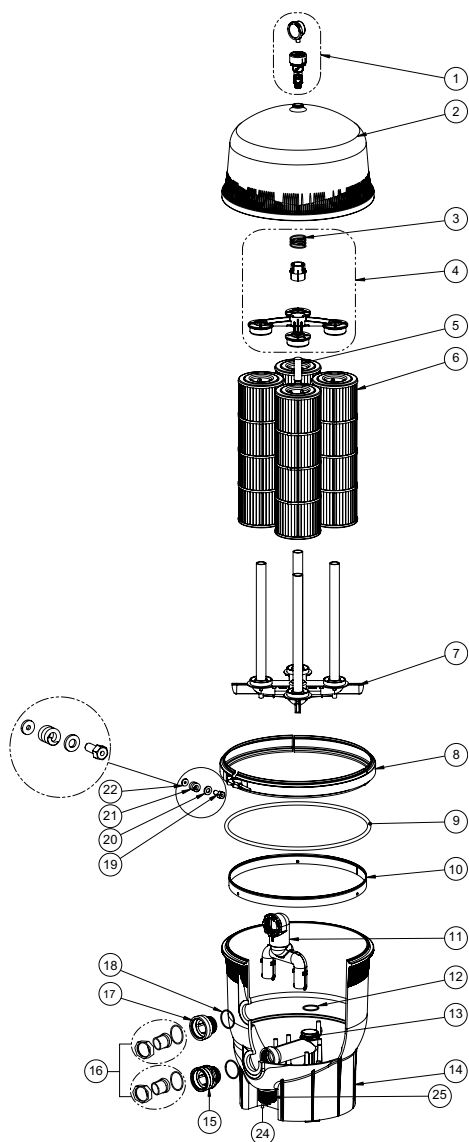
⚠ **WARNING:** Cancer and Reproductive Harm.
 ⚠ **AVERTISSEMENT:** Peut Causer le Cancer et des Dommages au Système Reproducteur.
 ⚠ **ADVERTENCIA:** Cáncer y Daño Reproductivo.
www.p65warnings.ca.gov

¹ Item 21 includes items 6 through 12. Item 21 replaces the Center Core, Cartridge Element, and Air Bleeder Sock Kit on filters manufactured before 2014.

* Replacement Hose Kits include two (2) hoses, four (4) hose adapters and four (4) hose clamps.

QUAD D.E.® FILTERS

REPLACEMENT PARTS



Item	Part No.	Description	US List	Can. List
QUAD D.E. FILTERS				
1	98209800	Assy. Manual air relief valve	52.99	63.67
2	170024	Lid, Quad 60	449.19	539.75
2	178581	Lid, Quad 80	513.36	616.85
2	178582	Lid, Quad 100	604.77	726.69
3	178616	Spring compression	9.97	11.98
4	170026	Manifold top assembly	122.45	147.14
5	170029	Air bleeder assy., Quad 60	71.04	85.36
5	170028	Air bleeder assy., Quad 80	72.21	86.77
5	178583	Air bleeder assy., Quad 100	70.04	84.16
6	178656	Cartridge, Quad 100 *	CALL	CALL
6	178655	Cartridge, Quad 80 *	CALL	CALL
6	178654	Cartridge, Quad 60 *	CALL	CALL
7	170059	Manifold assy. Bottom	255.60	307.13
8	190003	Kit Clamp Band	493.21	592.64
9	39010200Z	O-ring RPM tank clamp	86.28	103.67
10	195339	Ring back-up - FNS Pls	112.18	134.80
11	196024S	Divertor Assembly, Retro Kit	150.68	181.06
12	354571Z	O-ring	CALL	CALL
13	170036	Pipe outlet - RPM fltr	144.64	173.80
14	195999	Bottom tank w/ drain plug 7-1/2 in.	870.95	1046.53
15	178575	Bulkhead bottom	CALL	CALL
16	178711	Parts Bag - includes warranty card, instruction Book, Adapter Kit (270100) and Pressure Gauge (190058Z)	153.18	184.06
17	194801	Bulkhead - 2-3/8-8 butt	CALL	CALL
18	86006900Z	O-ring 2-329 bulkhead RPM	CALL	CALL
19	194997	Nut - Spl	CALL	CALL
20	195611	Washer - lg id	11.22	13.48
21	195612	Spring	36.88	44.32
22	195610	Washer - sm id	10.43	12.53
24	191474Z	O-ring for Drain Plug	CALL	CALL
25	190030Z	Cap Drain	46.11	55.41
NOT SHOWN				
*	190106Z	Repl. Screen Cap for Air Bleeder Assy.	41.31	49.64
	274426	Adapter Kit - 2-1/2 in. x 2 in.	CALL	CALL

CALIFORNIA PROPOSITION 65 WARNING

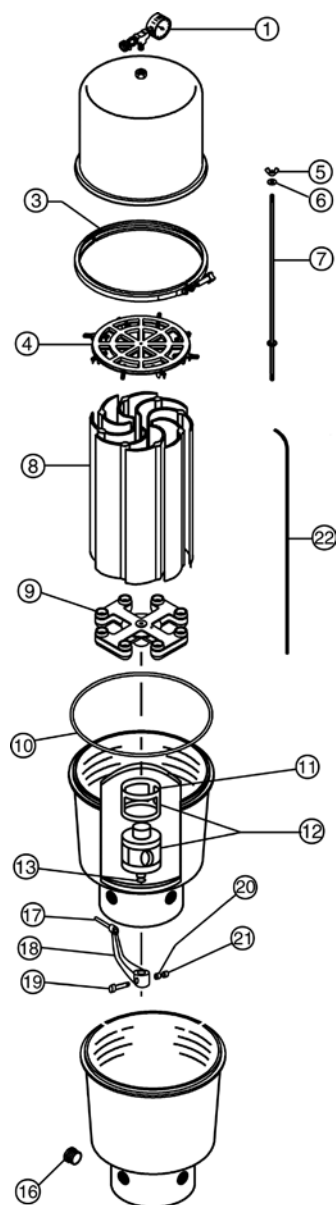
⚠ **WARNING:** Cancer and Reproductive Harm.
 ⚠ **AVERTISSEMENT:** Peut Causer le Cancer et des Dommages au Système Reproducteur.
 ⚠ **ADVERTENCIA:** Cáncer y Daño Reproductivo.

www.p65warnings.ca.gov

SM & SMBW 4000 SERIES™ FILTERS

REPLACEMENT PARTS FOR SHEET MOLDED FILTERS

Item	Part No.	Description	US List	Can. List
SM & SMBW 4000 SERIES FILTERS				
1	073027	Complete gauge assembly includes: ³	171.93	206.59
	98209800	Hi Flow Air Relief ⁴	52.99	63.67
	190058Z	Gauge, 1/4 in., 60 lbs.	13.45	16.16
	071390	Nipple, plastic, 1/4 in.	9.97	11.98
3	197020	Clamp ring assembly	522.09	627.34
3	071136Z	Knob clamping band ¹	35.63	42.81
4	071019Z	Holding wheel 4024, 4036, 4048	53.59	64.39
4	197120	Holding wheel 4060	61.02	73.32
5	071404Z	Nut wing, 1/4 in. 20 SS	21.92	26.34
6	072173	Washer 5/16 in. i.d. x 3/4 in. o.d.	2.73	3.28
7	072870	Center rod SM/SMBW 4024 21 in.	67.31	80.88
7	072869	Center rod SM/SMBW 4036 27 in.	59.26	71.21
7	072880	Center rod SM/SMBW 4048 33 in.	61.20	73.54
7	072867	Center rod SM/SMBW 4060 39 in.	64.71	77.76
8	074922	Element 4024 12 in., 8 req.	39.55	47.52
8	074923	Element 4036 18 in., 8 req.	52.66	63.28
8	074924	Element 4048 24 in., 8 req.	66.06	79.38
8	074925	Element 4060 30 in., 8 req.	79.31	95.30
9	073270Z	Manifold 2000/4000 series 8 holes	42.25	50.77
10	071439	O-ring, 4000 series lid	CALL	CALL
11	071720	Seal BW valve rotor tapered	29.73	35.72
12	073370	Rotor valve Noryl w/ seal, includes No. 11 & 13	225.41	270.85
13	JV18	O-ring 2113	1.65	1.98
16	071559	Plug PVC 2 in., SM only	15.44	18.55
17	190026	Handle SMBW rotor SS	49.66	59.67
18	070971	Handle extension BW, brass	213.42	256.45
19	070979	Handle stud bolt SS, 1/4-20 x 1-3/4 in.	CALL	CALL
20	072172	Washer lock, 1/4 in. SS	0.38	0.46
21	071406Z	Nut, 1/4-20 SS hex	12.37	14.86
22	075279	Vent tube 1/4 in., 46 in. all models	20.81	25.01



¹ Used on filters manufactured before 1998.

² Used on filters manufactured after 1998.

³ Used on filters manufactured before 1999.

⁴ Used on filters manufactured after 1999.

Did you know that...if you order a tapered rotor seal and attempt to install it into a straight sided casting, the seal will be cut. If you install a straight seal in a tapered casting, the valve will leak. The tapered seal can be identified by a mark on each of the vertical legs signifying the top of the seal. Since the straight seals are not directional, they have no marks on the vertical legs. The tapered seal P/N is 071720. The straight seal P/N is 071719, which we no longer manufacture. Both 2000/4000 series filters with backwash now use the same Noryl rotor and the tapered seal. The product number for the rotor and seal assembly P/N is 073370. Tapered castings have a letter "T" stamped into the underside of the middle, pump port. Don't confuse this with a letter "T" in felt pen, which means the assembly has been pressure tested.

CALIFORNIA PROPOSITION 65 WARNING

⚠ **WARNING:** Cancer and Reproductive Harm.
 ⚠ **AVERTISSEMENT:** Peut Causer le Cancer et des Dommages au Système Reproducteur.
 ⚠ **ADVERTENCIA:** Cáncer y Daño Reproductivo.

www.p65warnings.ca.gov. FR 2015/4

SYSTEM:2™ MODULAR D.E. FILTERS

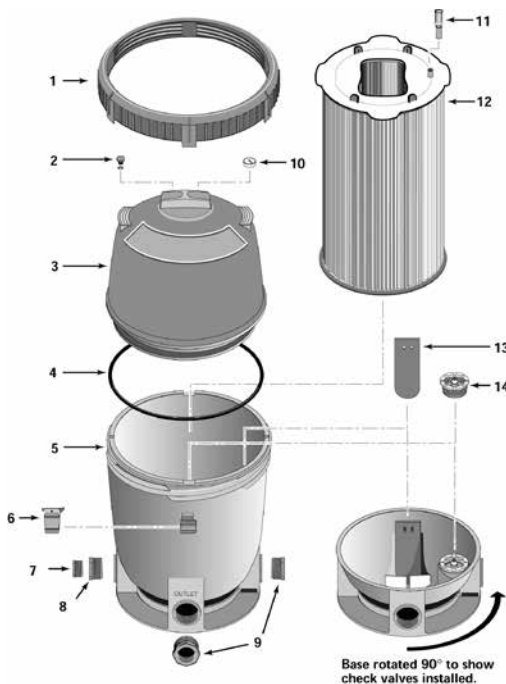
PLD SERIES REPLACEMENT PARTS



MODELS

PLD50 - DE

PLD70 - DE



CALIFORNIA PROPOSITION 65 WARNING
 ⚠️ **WARNING:** Cancer and Reproductive Harm.
 ⚠️ **AVERTISSEMENT:** Peut Causer le Cancer et des Dommages au Système Reproducteur.
 ⚠️ **ADVERTENCIA:** Cáncer y Daño Reproductivo.
www.p65warnings.ca.gov PR201714

Item	Part No.	Description	US List	Can. List
SYSTEM:2 MODULAR D.E. FILTERS				
1	27001-0054S	Posi-Lok® ring	306.80	368.65
2	25010-0200	Air release valve assembly	27.56	33.12
3	27001-0020S	Tank shell upper half 1,5	459.47	552.10
4	27001-0061S	Cord-ring	80.05	96.19
4	27001-0060S	Cord-ring (Pre 3/97), PLD50	79.34	95.33
5	27001-0009S	Tank shell lower half w/ ring 4,5	780.52	937.87
6	27001-0051	Safety latch for ring	21.59	25.94
7A	27001-0022	1-1/2 in. NPT plug w/ O-Ring	4.28	5.14
7B	24900-0509	Adapter fitting (Pre 10/03)	41.68	50.08
7B	24900-0510	Adapter fitting	41.68	50.08
9	U78-820P	2 in. x 1-1/2 in. Pipe reducer 2	19.77	23.76
10	15060-0000T	Pressure gauge 3	66.47	79.87
11	24800-0120	Air bleed assembly	32.06	38.52
12	27002-0030S	Filter module, PLD50	511.71	614.87
12	27002-0036S	Filter module, PLD70	595.30	715.31
13	27001-0011	Flapper valve	24.09	28.95
14	27001-0130S	Spring check valve 2	33.29	40.00
NOT SHOWN				
	33455-1050	Spring check valve gasket	5.98	7.19

¹ Includes all decals and labels.

² Optional Equipment.

³ Shipped in accessory package.

⁴ Includes 27001-0051 safety latch, & 27001-0054 Posi-Lok ring™ ring.

⁵ Filters made before 2005 should replace the top and bottom together.

SYSTEM:2™ MODULAR D.E. FILTERS

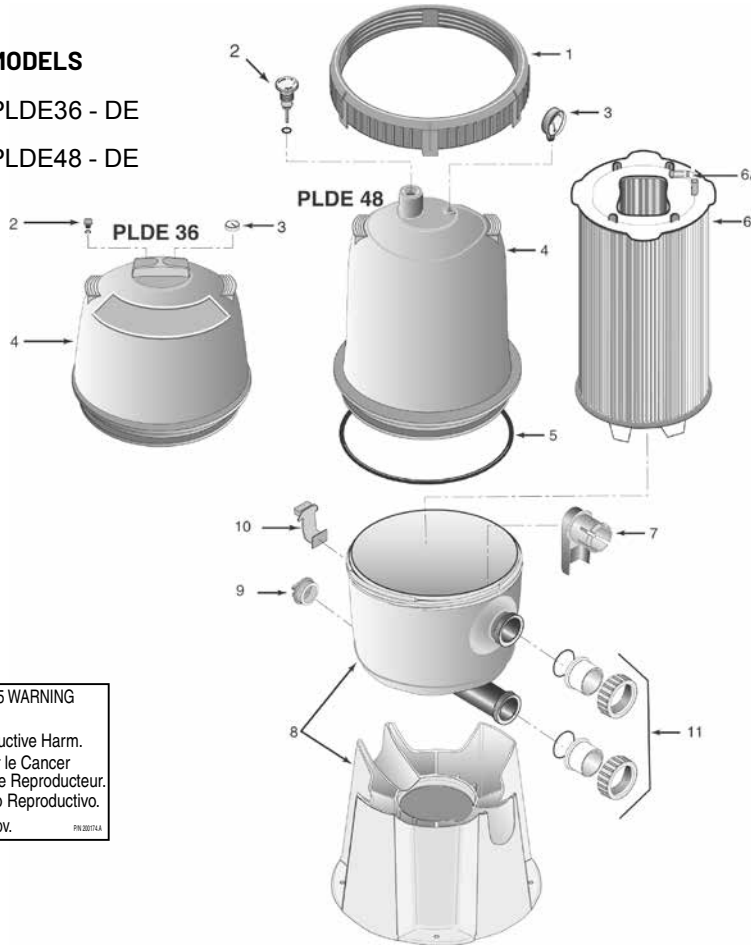
PLDE SERIES REPLACEMENT PARTS



MODELS

PLDE36 - DE

PLDE48 - DE



CALIFORNIA PROPOSITION 65 WARNING
 ⚠️ **WARNING:** Cancer and Reproductive Harm.
 ⚠️ **AVERTISSEMENT:** Peut Causer le Cancer et des Dommages au Système Reproducteur.
 ⚠️ **ADVERTENCIA:** Cáncer y Daño Reproductivo.
www.p65warnings.ca.gov P8-201514

Item	Part No.	Description	US List	Can. List
SYSTEM:2 MODULAR D.E. FILTERS				
1	27001-0054S	Posi-Lok® Ring	306.80	368.65
2	25010-0200	Air Release Valve with O-ring, PLDE36	27.56	33.12
2	24206-0103S	Air Release Valve with O-ring, PLDE48	15.64	18.79
3	15060-0000T	Pressure Gauge	66.47	79.87
4	27001-0020S	Tank Upper Half with Air Relief Valve, PLDE36 ²	459.47	552.10
4	27001-0030S	Tank Upper Half with Air Relief Valve, PLDE48 ²	722.73	868.43
5	27001-0061S	Tank O-Ring	80.05	96.19
6	27002-0036S	Filter Module, PLDE36	595.30	715.31
6	27002-0048S	Filter Module, PLDE48	747.30	897.96
6A	24800-0120	Air Bleed Assembly	32.06	38.52
7	27001-0015S	Diverter	43.97	52.83
8	27001-0016S	Tank Lower Half & Support Base ^{1,2}	388.84	467.23
9	27001-0022	Drain Plug	4.28	5.14
10	27001-0051	Safety Latch	21.59	25.94
11	PKG 188Z	2 in. Union Adapter Package (includes 2)	46.96	56.43

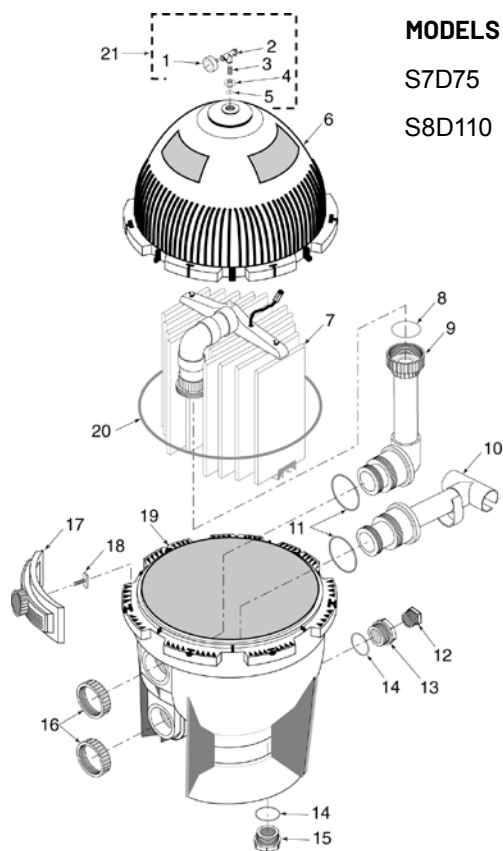
¹ Includes Item Nos. 7, 8, 9, 10.

² Filters manufactured before 2005 should replace the top and bottom together.



SYSTEM:3® D.E. FILTERS

SD SERIES REPLACEMENT PARTS



MODELS

S7D75

S8D110

Item	Part No.	Description	US List	Can. List
SYSTEM:3 D.E. FILTERS				
1	33600-0023T	2 in. Gauge	69.39	83.38
2	154689Z	Air Release Valve	44.04	52.92
3	35202-0959	Nipple	20.35	24.45
4	24900-0504	Adapter Bushing	27.10	32.56
5	35505-1423	O-Ring	2.91	3.50
6	24851-9000	Upper Tank Shell Kit, S7D75	1452.68	1745.54
6	24851-9001	Upper Tank Shell Kit, S8D110	1786.83	2147.05
7	23900-1220S	Filter Assembly, S7D75	1756.78	2110.95
7	23900-1221S	Filter Assembly, S8D110	2270.53	2728.27
8	U9-362Z	O-Ring	CALL	CALL
9	23911-0102	Outlet Assembly	203.22	244.19
10	23911-0100	Inlet Assembly, S7D75	149.60	179.76
10	23911-0101	Inlet Assembly, S8D110	151.72	182.31
11	35505-1425	O-Ring	22.43	26.95
12	27001-0022	1-1/2 in. NPT Plug	4.28	5.14
13	24900-0509	Adapter Fitting	41.68	50.08
14	35505-1424	O-Ring	13.45	16.16
15	24900-0503	Drain Plug	41.47	49.83
16	24752-0050	Bulkhead Retaining Nut	35.82	43.04
17	24850-0200	Clamp Assembly ¹	189.65	227.88
18	24850-0010	Clamp Bolt ¹	45.92	55.18
19	24850-0102S	Lower Tank Shell, S7D75	1622.19	1949.22
19	24851-0103S	Lower Tank Shell, S8D110	1832.86	2202.36
20	24850-0008Z	Cord Ring, S7D75	CALL	CALL
20	24850-0009	Cord Ring, S8D110	106.39	127.84
21	24850-0105	Valve & Gauge Assembly (Includes #8, 9, 11, 16)	145.19	174.46
NOT SHOWN				
	24850-0016	Clamp Retaining Ring	9.76	11.73
	25021-1021	System3 DE Conversion Kit (Includes #8, 9, 10, 11, 16) - S7D75 - should also purchase item #7 separately.	497.69	598.02
	25021-1025	System3 DE Conversion Kit (Includes #8, 9, 10, 11, 16) - S8D110 - should also purchase item #7 separately.	497.69	598.02

CALIFORNIA PROPOSITION 65 WARNING

⚠ **WARNING:** Cancer and Reproductive Harm.
 ⚠ **AVERTISSEMENT:** Peut Causer le Cancer et des Dommages au Système Reproducteur.
 ⚠ **ADVERTENCIA:** Cáncer y Daño Reproductivo.
www.p65warnings.ca.gov PN 20151A

¹ Model S7D75 uses seven (7) clamps and bolts; Model S8D110 uses eight (8).

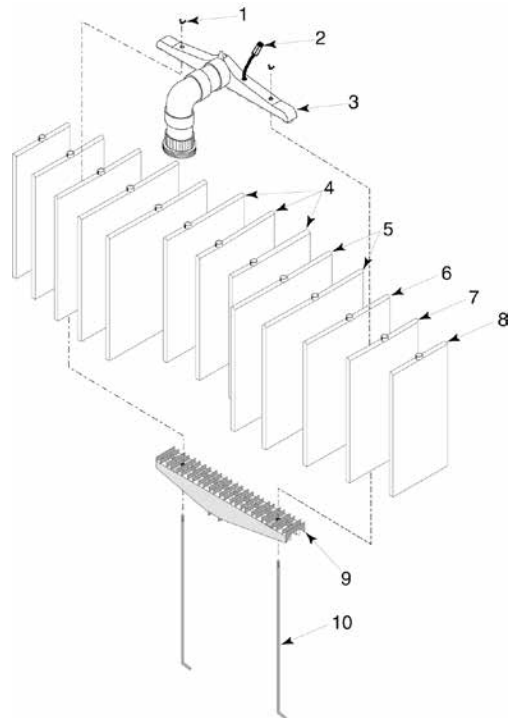
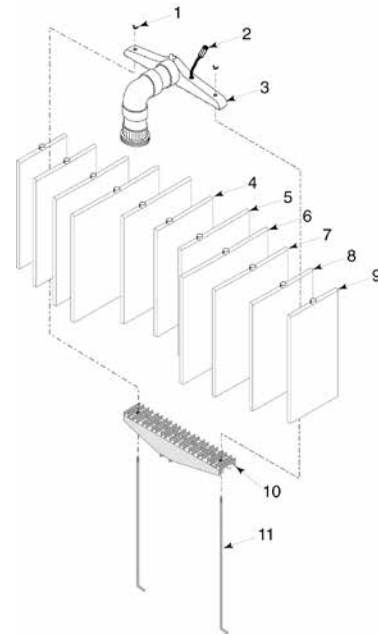
SYSTEM:3® D.E. FILTER ELEMENT ASSEMBLIES

SD SERIES REPLACEMENT PARTS



Item	Part No.	Description	US List	Can. List
FILTER ELEMENT ASSEMBLY FOR S7D75				
1	35402-0074Z	Wing Nut (2 req.)	22.23	26.71
2	24800-0120	Air Bleed Assembly	32.06	38.52
3	24800-0100	Manifold	264.62	317.97
4	23900-1171	Covered Element 12-7/16 in. (1 req.)	104.85	125.99
5	23900-1170	Covered Element 13-13/16 in. (2 req.)	106.66	128.16
6	23900-0033	Covered Element 16-1/2 in. (2 req.)	114.71	137.84
7	23900-1174	Covered Element 15-3/16 in. (2 req.)	110.50	132.78
8	23900-1175	Covered Element 12-7/16 in. (2 req.)	104.85	125.99
9	23900-1173	Covered Element 9-11/16 in. (2 req.)	96.80	116.31
10	23900-0350	Element Grid Support	70.51	84.72
11	23900-0039	Rod (2 req.)	54.91	65.98

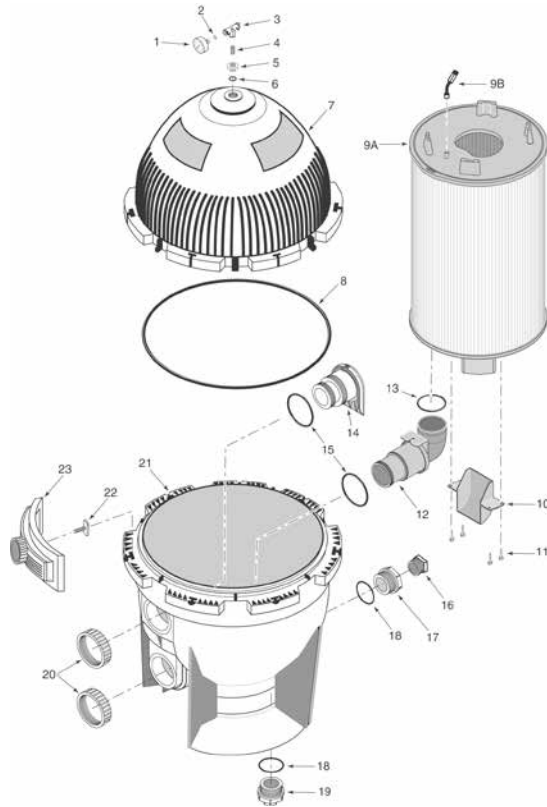
FILTER ELEMENT ASSEMBLY FOR S8D110				
1	35402-0074Z	Wing Nut (2 req.)	22.23	26.71
2	24800-0120	Air Bleed Assembly	32.06	38.52
3	24801-0101	Manifold	273.02	328.06
4	23900-1172	Covered Element 16-1/2 in. (3 req.)	137.88	165.68
5	23900-0144	Covered Element 19-5/16 in. (4 req.)	201.08	241.62
6	23900-0033	Covered Element 16-1/2 in. (2 req.)	114.71	137.84
7	23900-1174	Covered Element 15-3/16 in. (2 req.)	110.50	132.78
8	23900-0032	Covered Element 11 in. (2 req.)	96.26	115.67
9	23901-0350	Element Grid Support	75.01	90.13
10	23900-0039	Rod (2 req.)	54.91	65.98



CALIFORNIA PROPOSITION 65 WARNING
 ⚠️ **WARNING:** Cancer and Reproductive Harm.
 ⚠️ **AVERTISSEMENT:** Peut Causer le Cancer et des Dommages au Système Reproducteur.
 ⚠️ **ADVERTENCIA:** Cáncer y Daño Reproductivo.
www.p65warnings.ca.gov FR230714

SYSTEM:3® MODULAR D.E. FILTERS

SMD SERIES REPLACEMENT PARTS



Item	Part No.	Description	US List	Can. List
SYSTEM:3 MODULAR D.E. FILTERS				
1	33600-0023T	2 in. Gauge	69.39	83.38
3	154689Z	Air Release Valve	44.04	52.92
4	35202-0959	Close Nipple, 1/4 in.	20.35	24.45
5	24900-0504	Adapter Bushing	27.10	32.56
6	35505-1423	O-Ring	2.91	3.50
7	24851-9000	Upper Tank Shell Kit ¹	1452.68	1745.54
8	24850-0008Z	Tank O-Ring	CALL	CALL
9A	25023-0160S	Replacement Module	917.04	1101.92
9A	25023-0172S	Replacement Module	1519.91	1826.32
9B	24800-0120	Air Bleed Assembly ²	32.06	38.52
10	23910-0013S	Baffle Kit (with Screws) ²	52.00	62.48
11	37207-0728	Baffle Screws ²	CALL	CALL
12	23910-0100S	Elbow and Bulkhead Assembly ³	182.07	218.78
13	35505-7438	O-Ring	14.06	16.89
14	23910-0101S	Deflector and Bulkhead Assembly	121.38	145.85
15	35505-1425	O-Ring	22.43	26.95
16	27001-0022	1-1/2 in. Plug with O-Ring	4.28	5.14
17	24900-0509	Adapter Fitting	41.68	50.08
18	35505-1424	O-Ring	13.45	16.16
19	24900-0503	Drain Plug	41.47	49.83
20	24752-0050	Bulkhead Retaining Nut	35.82	43.04
21	24850-0102S	Lower Tank Shell	1622.19	1949.22
22	24850-0010	Clamp Bolt	45.92	55.18
23	24850-0200	Clamp Assembly	189.65	227.88
NOT SHOWN				
	23910-1100S	System:3 Modular DE Conversion Kit (Includes Key #'s 12, 13, 14, 15, 16) - must also buy Item 9A separately	277.48	333.42

¹ Includes all decals and labels.

² Included with Key No. 9A Replacement Module.

³ Includes O-Ring (Key No. 13).

CALIFORNIA PROPOSITION 65 WARNING

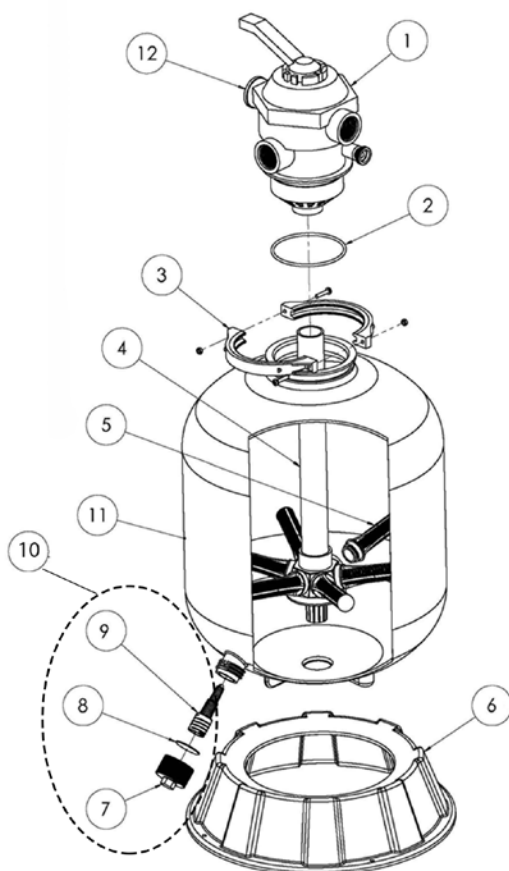
▲ **WARNING:** Cancer and Reproductive Harm.
▲ **AVERTISSEMENT:** Peut Causer le Cancer et des Dommages au Système Reproducteur.
▲ **ADVERTENCIA:** Cáncer y Daño Reproductivo.

www.p65warnings.ca.gov

PB/2011A

SAND DOLLAR® FILTERS

REPLACEMENT PARTS FOR BLOW MOLDED FILTERS



Item	Part No.	Description	US List	Can. List
SAND DOLLAR SAND FILTERS				
1	262506	Valve 1-1/2 in. 6-way	CALL	CALL
1	263085	Valve 2 in.	CALL	CALL
1	262525	Valve 2 in. with unions	CALL	CALL
2	272541Z	O-ring valve body	CALL	CALL
3	152165	Assembly, plastic clamp 2 piece	37.82	45.44
4	155504	Piping assembly SD35, dim D = 16 in.	75.58	90.82
4	152229	Pipe assembly SD35 ²	187.73	225.58
4	155062	Piping assembly SD40, dim D = 20-1/8 in.	73.22	87.98
4	152228	Pipe assembly SD40 ²	173.32	208.26
4	155532	Piping assembly SD60, dim D = 25-1/4 in.	183.05	219.95
4	152227	Pipe assembly SD60 ²	201.49	242.11
4	152000	Pipe assembly, SD70	200.49	240.91
4	152226	Pipe assembly SD80	157.96	189.80
4	152238	Pipe assembly SD80 2 in.	168.91	202.96

CALIFORNIA PROPOSITION 65 WARNING

⚠ **WARNING:** Cancer and Reproductive Harm.
 ⚠ **AVERTISSEMENT:** Peut Causer le Cancer et des Dommages au Système Reproducteur.
 ⚠ **ADVERTENCIA:** Cáncer y Daño Reproductivo.

www.p65warnings.ca.gov
PH 201714

SAND DOLLAR® FILTERS

REPLACEMENT PARTS FOR BLOW MOLDED FILTERS

Item	Part No.	Description	US List	Can. List
SAND DOLLAR SAND FILTERS				
5	155007	Lateral 5, 11/32 in. long, almond, SD35, 8 req.	11.05	13.28
5	152290Z	Lateral 6, 11/16 in. long, almond, SD40/SD60, 8 req.	11.59	13.93
5	150084	Lateral, SD35, SD40, black ²	10.42	12.52
5	150085	Lateral XLong, SD60, SD70, SD80, black ²	13.10	15.74
5	150088	Lateral, ClearPro 6 req	163.87	196.91
6	154926	Foot, SD35	151.21	181.69
6	154520	Foot, SD40, SD60, SD70, & SD80 ¹	155.86	187.28
7	154712Z	Drain Cap	46.09	55.38
8	154715Z	Gasket	CALL	CALL
9	154711Z	Drain	25.57	30.72
10	150055	Complete Drain Assembly	78.31	94.10
11	145339	Tank with drain SD35, almond	432.02	519.12
11	145341	Tank with drain SD40, almond	573.17	688.72
11	145343	Tank with drain SD60, almond	793.55	953.53
11	145368	Tank with drain SD70, almond	920.64	1106.24
11	145334	Tank with drain SD80, almond	1127.78	1355.14
12	190059Z	Gauge, pressure	66.35	79.73
NOT SHOWN				
	272569	Kit Union for 2 in. Valve	CALL	CALL
	150119	Kit Union for 1-1/2 in. Valve	115.21	138.44

¹ Used on filters manufactured before 2/02.

² Filters manufactured after 10/04.

CALIFORNIA PROPOSITION 65 WARNING

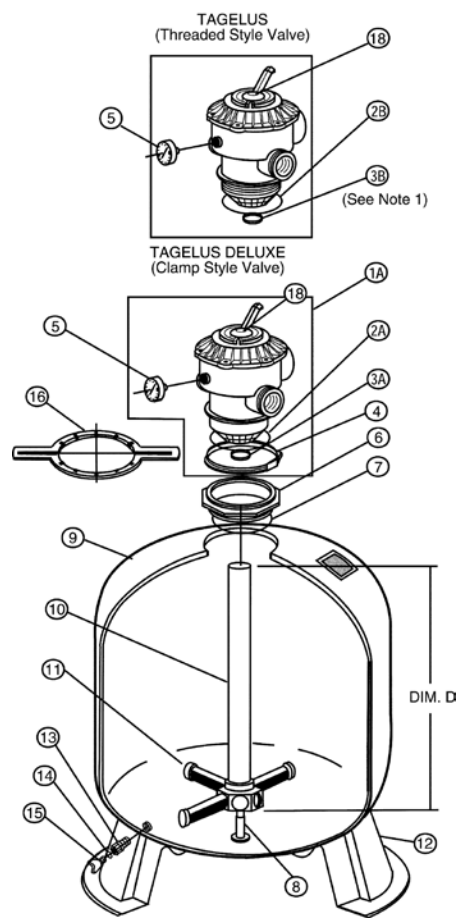
⚠ **WARNING:** Cancer and Reproductive Harm.
⚠ **AVERTISSEMENT:** Peut Causer le Cancer et des Dommages au Système Reproducteur.
⚠ **ADVERTENCIA:** Cáncer y Daño Reproductivo.

www.p65warnings.ca.gov
P65019-A

TAGELUS® FILTERS

REPLACEMENT PARTS FOR FIBERGLASS FILTERS

Item	Part No.	Description	US List	Can. List
TAGELUS FILTERS WITH THD. & CLAMP VALVES				
1A	262506	Valve, 1-1/2 in. 6-way clamp style ^{1, 4, 6, 8, 10}	CALL	CALL
1A	261185	Valve, 2 in. 6-way clamp style ^{11A, 11B}	CALL	CALL
1A	262525	Valve, 2 in. for TA60 with unions	CALL	CALL
1B	261124	Valve, 1-1/2 in. 6-way "V" thread -TA, ¹⁷	CALL	CALL
2A	272541Z	O-ring valve body, 3/16 in. x 4-3/4 in. i.d. ^{2, 4, 6, 8, 10}	CALL	CALL
2A	275333	O-ring valve body, 3/16 in. x 6-1/2 in. i.d. ^{11A, 11B}	10.50	12.62
2B	154493Z	O-ring valve body, .157 in. x 5.75 in. i.d. ^{1, 3, 5, 7, 9}	CALL	CALL
3A	355330Z	O-ring standup, 1/8 in. x 2-3/8 in. i.d. ^{11A, 11B}	CALL	CALL
3B	155064	O-ring standup, 1/8 in. x 1-7/8 in. i.d. ^{1, 3, 5, 7, 9, 12}	1.85	2.22
4	152165	Clamp, 6-1/2 in. dia. SS, plastic ^{2, 4, 6, 8, 10}	37.82	45.44
4	152130	Clamp, 8.35 in. dia. ^{11A, 11B}	160.36	192.69
4	152175	Plastic Clamp TA100	163.04	195.91
5	190059Z	Gauge back mount pressure	66.35	79.73
6	152520Z	Adapter, Quad Seal	166.33	199.86
6	155225	Adapter, 6 in. "V" thread ^{2, 6, 8, 10, 15, 19}	58.74	70.58
6	154521	Adapter, 8-1/2 in. btr. thread ^{11A, 11B}	104.42	125.47
7	152517	O-ring valve adptr., 1/8 in. x 6-1/4 in. i.d. ^{2, 4, 6, 8, 10}	6.64	7.98
7	355619Z	O-ring valve adptr., 3/16 in. x 7-3/4 in. i.d. ^{11A, 11B}	16.72	20.09
7	152516	Quad Seal	8.18	9.83
8	155002	Stabilizer, center pipe (TA100 Only)	31.15	37.43
9	155276	Tank & ft. assembly w/ valve adptr. ^{6, 13, 18, 19}	1620.97	1947.76
9	155269	Tank & ft. assembly w/ valve adptr. ^{10, 13, 18, 19}	1824.25	2192.02
9	155324	Tank & ft. assembly w/ valve adptr. ^{11A, 11B, 13, 18, 19}	2621.46	3149.95
9	155342	Tank & ft. assembly btr. thread style ^{5, 16, 17}	1574.72	1892.18
9	155358	Tank & ft. assembly btr. thread style ^{9, 16, 17}	1301.84	1564.29
10	155060	Piping assembly, (dim. D = 12-7/8 in.) ^{1, 2}	68.72	82.57
10	153455	Piping assembly, (dim. D = 14-7/8 in.) ^{3, 4}	72.21	86.77
10	155061	Piping assembly, (dim. D = 17-3/4 in.) ^{5, 6}	71.86	86.35
10	155062	Piping assembly, (dim. D = 19-7/8 in.) ^{7, 8}	73.22	87.98
10	155063	Piping assembly, (dim. D = 22-5/8 in.) ^{9, 10}	74.53	89.56
10	155340	Piping assembly, less hub, (dim. D = 27-1/4 in.) ^{11A, 11B}	69.44	83.44
10	155323	Piping assembly, w/ hub, (dim. D = 27-1/4 in.) ^{11A, 11B}	155.94	187.38
10	155299	Piping assembly, w/ hub, w/ 1/4 turn lateral ^{10, 20}	73.82	88.70
10	152237	Piping assembly, w/ hub, TA60 2 in.	163.52	196.49



Detail A., after 12/1/91
6 in. btr. Thread.



Detail B., before 12/1/91
6 in. "V" Thread.

TAGELUS® FILTERS (CONT'D)

REPLACEMENT PARTS FOR FIBERGLASS FILTERS

Item	Part No.	Description	US List	Can. List
TAGELUS FILTERS WITH THREAD & CLAMP VALVES				
11	155007	Lateral, 5-11/32 in. long, 8 req. ^{1, 2, 3, 4}	11.05	13.28
11	152290Z	Lateral, 6-11/16 in. long, 8 req. ^{5, 9, 6, 10}	11.59	13.93
11	152202Z	Lateral, 9-1/8 in. long ^{11A, 11B}	17.53	21.06
11	150085	Lateral, 1/4 turn, 6 req. ^{7, 8, 10, 20}	13.10	15.74
11	150088	Lateral, ClearPro - 6 req	163.87	196.91
12	154926	Foot tank ^{3, 5, 7, 9, 4, 6, 8, 10}	151.21	181.69
12	154596	Foot tank ^{11A, 14}	229.66	275.96
13	154698	Spigot, 3/4 in. NPT sand drain ^{2, 4, 6, 8, 10}	40.29	48.41
13	152220Z	Spigot, 2 in. NPT sand drain ^{11A} (Left-hand thread)	68.22	81.97
14	192115Z	O-ring drain plug, 1/16 in. x 1/2 in. i.d.	3.90	4.69
14	154871Z	2 in. drain cap (1-1/2 in. threads) ^{11A, 11B}	CALL	CALL
15	357161Z	Plug, 1/4 in. NPT drain	7.80	9.37
16	154512Z	Wrench, 6-1/2 in. across flats ^{2, 6, 8, 10}	CALL	CALL
16	151608	Wrench, 9 in. across flats ¹⁴	CALL	CALL
18	272599Z	Label top mount valve	CALL	CALL
19	274494Z	Sand drain O-ring TA100	6.22	7.47
20	152220Z	Drain assy for TA100/TR100/TR140	68.22	81.97
NOT SHOWN				
	154402	Tape ft. mounting, ¹⁻¹⁰	9.97	11.98
	154407	Tape ft. mounting, ^{11A, 11B}	13.67	16.43
	155051	Sand guide only ^{11A, 11B}	11.01	13.23
	150119	Union Kit 1-1/2 in. Valve	115.21	138.44
	272569	Union Kit 2 in. Valve for TA 60D 2" only	CALL	CALL

¹ TA 30
² TA 30D
³ TA 35
⁴ TA 35D
⁵ TA 40
⁶ TA 40D
⁷ TA 50
⁸ TA 50D
⁹ TA 60
¹⁰ TA 60D
^{11A} TA 100
^{11B} TA 100D

¹² Item 3A O-ring, standpipe is used on model TA100D Filters only. Item 3B O-ring, standpipe is used on Tagelus Filter models TA30, 40, 50, 60, manufactured before April, 1993. Item 3B is not used on Tagelus Clamp Filter models TA30D, 35D, 40D, 50D, 60D or on any Tagelus models manufactured after April, 1993.

¹³ Tagelus Clamp Filter models tank & ft. assembly have valve adptr., Item 6 factory installed.

¹⁴ Replacement of tank ft. requires the use of mounting tape. See part number listed.
¹⁵ Lubricate O-ring liberally w/ silicone lubricant and tighten to following spec: TA30D, 35D, 40D, 50D, 60D. Handtight plus 1/4 turn min. TA100 D Handtight plus 3/4 turn min.
¹⁶ Tagelus Filter models TA30, 35, 40, 50, 60 manufactured after Nov. 1, 1991 were manufactured w/a btr. thread top opening and utilize a btr. style valve which is black in color. A change was made to the port arrangement in April, 1993 which will require that minor changes be made to the valve plumbing connections when replacing valves on filters manufactured between Nov. 1991 and Mar. 1993. DO NOT ATTEMPT TO INTERCHANGE THREAD TYPES.
¹⁷ Tagelus Filter models TA30, 40, 50, 60 manufactured before Nov. 1, 1991 were manufactured w/a "V" thread style valve that is white or brown in color. These valves may be replaced only w/ "V" thread style valve P/N 261124, see Detail B. DO NOT ATTEMPT TO INTERCHANGE THREAD TYPES.

¹⁸ Tagelus Clamp Filter models TA30D, 35D, 40D, 50D, 60D manufactured after Nov. 1, 1991 were manufactured w/a btr. thread top opening and utilize a btr. thread valve adptr. P/N 154555, see Detail A. DO NOT ATTEMPT TO INTERCHANGE THREAD TYPES.
¹⁹ Tagelus Clamp Filter models TA30D, 40D, 50D, 60D manufactured before Nov. 1, 1991 were manufactured w/a "V" thread top opening and utilize a "V" thread valve adptr. P/N 155225, see Detail B. DO NOT ATTEMPT TO INTERCHANGE THREAD TYPES.
²⁰ TA60D Filters manufactured after June 1, 2007 have new 1/4 turn laterals.

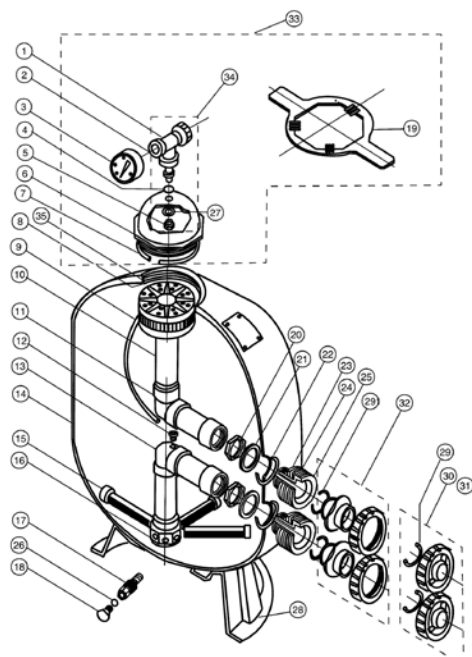
CALIFORNIA PROPOSITION 65 WARNING

▲ **WARNING:** Cancer and Reproductive Harm.
▲ **AVERTISSEMENT:** Peut Causer le Cancer et des Dommages au Système Reproducteur.
▲ **ADVERTENCIA:** Cáncer y Daño Reproductivo.

www.p65warnings.ca.gov. PR020114

TRITON® II FILTERS

REPLACEMENT PARTS FOR FIBERGLASS FILTERS



Item	Part No.	Description	US List	Can. List
TRITON II SAND FILTERS				
1	154689Z	Air bleeder/tee assembly ¹³	44.04	52.92
2	154700	Adapter, brass air bleeder ¹³	18.28	21.97
3	190059Z	Gauge, back mount pressure ¹³	66.35	79.73
4	154661	O-ring, air bleeder adapter ¹³	2.73	3.28
5	154664	Nut, 3/8 in., 16 SS ¹³	2.65	3.18
6	152519Z		166.33	199.86
6	154559	Closure 6 in. "V" thread, black, see Detail B ¹³	85.13	102.29
7	154493Z	O-ring closure, 6 in., white ¹³	CALL	CALL
7	152516	Quad Seal	8.18	9.83
8	154578Z	Strainer air relief, 1/4 in. ³	CALL	CALL
8	150035Z	Strainer air relief, 3/8 in. ⁴	CALL	CALL
9	154435	Tube air relief TR40 ³	25.43	30.56
9	150039	Tube air relief TR40 ⁴	29.90	35.93
9	154436	Tube air relief TR50/60 ³	25.43	30.56
9	150040	Tube air relief TR50/60 ⁴	29.90	35.93
9	154437	Tube air relief TR100 ³	27.69	33.27
9	150041	Tube air relief TR100 ⁴	23.55	28.30
9	154438	Tube air relief TR140 ³	35.81	43.03
9	150042	Tube air relief TR140 ⁴	21.92	26.34
10	154598	Diffuser assembly TR40/50	79.49	95.52
10	154599	Diffuser assembly TR60	79.49	95.52
10	154462	Diffuser assembly TR100	79.49	95.52
10	154906	Diffuser assembly TR140	81.83	98.33
11	154803	Piping assembly upper TR40	89.28	107.28

Item	Part No.	Description	US List	Can. List
11	156814	Piping assembly upper TR50	71.48	85.89
11	154533	Piping assembly upper TR60	68.96	82.86
11	154426	Piping assembly upper TR100	119.57	143.68
11	154500	Piping assembly upper TR140	75.42	90.62
12	154441	Connector air relief tube ³	CALL	CALL
12	150036	Connector air relief tube ⁴	2.36	2.84
13	154801	Piping assembly lower TR40	107.69	129.40
13	156816	Piping assembly lower TR50	85.43	102.65
13	154805	Piping assembly lower TR60	83.16	99.93
13	155284	Piping assembly lower TR60 ¹⁴	139.40	167.50
13	154807	Piping assembly lower TR/ PF100	85.52	102.76
13	154489	Piping assembly lower TR140	88.15	105.92
14	154636	Tank & ft. assembly TR40, 6 in. btr. thd., Almond, Detail A	1545.93	1857.59
14	154638	Tank & ft. assembly TR60, 6 in. btr. thd., Almond, Detail A	1770.29	2127.18
14	154639	Tank & ft. assembly TR100, 8-1/2 in. btr. thd., Almond, Detail A	2472.23	2970.63
14	154640	Tank & ft. assembly TR140, 8-1/2 in. btr. thd., Almond, Detail A	3637.15	4370.40

CALIFORNIA PROPOSITION 65 WARNING

▲ **WARNING:** Cancer and Reproductive Harm.
 ▲ **AVERTISSEMENT:** Peut Causer le Cancer et des Dommages au Système Reproducteur.
 ▲ **ADVERTENCIA:** Cáncer y Daño Reproductivo.

www.p65warnings.ca.gov
FR202314

TRITON® II FILTERS (CONT'D)

REPLACEMENT PARTS FOR FIBERGLASS

Item	Part No.	Description	US List	Can. List
TRITON II SAND FILTERS				
14	156224	Tank & ft. assembly TR100HD btr. thread, black HD	2737.10	3288.90
15	152290Z	Lateral, 6-11/16 in. L TR40/50/60, 8 req.	11.59	13.93
15	150085	Lateral TR60 Gray. 1/4 turn ¹⁴	13.10	15.74
15	152202Z	Lateral, 9-1/8 in. L TR100, 8 req. ⁶	17.53	21.06
15	154540Z	Lateral, 12 in. L TR140, 8 req.	31.78	38.19
15	150088	Lateral, ClearPro	163.87	196.91
16	154763	Hub lateral TR40/50/60	48.60	58.40
16	155753	Hub lateral, ClearPro- 6 req ¹⁴	66.57	79.99
16	154453	Hub lateral TR100/140	162.76	195.57
17	154698	Spigot, 3/4 in. NPT sand drain ⁸	40.29	48.41
18	357161Z	Plug, 1/4 in. NPT drain ⁸	7.80	9.37
18	U178-920PZ	Drain Plug Assy	7.80	9.37
19	154512Z	Wrench, 6 in. closure ¹³	CALL	CALL
19	154510	Wrench closure aluminum, 6 in. ¹³	298.69	358.91
20	154412Z	Locknut, 2 in. internal, 2 req.	CALL	CALL
21	154416	Spacer, 2 in. internal, 2 req.	22.11	26.57
22	154492Z	O-ring, 2 in. bulkhead, 2 req.	CALL	CALL
23	154408	Spacer, 2 in. external, 2 req.	CALL	CALL
24	154538Z	Gasket, 2 in. bulkhead, 2 req.	CALL	CALL
25	154405	Bulkhead, 2 in., 2 req.	CALL	CALL
26	192115Z	O-ring drain plug ⁸	3.90	4.69
27	154418	Washer, 3/8 in. SS ¹³	1.85	2.22
28	154926	Foot, 16 in. dia., TR40/50 ^{2, 11}	151.21	181.69
28	154520	Foot, 19 in. dia., TR60 ^{2, 11}	155.86	187.28
28	154596	Foot, 24 in. dia., TR100/140 ^{2, 11}	229.66	275.96
29	274494Z	O-ring valve adptr., 2 req.	6.22	7.47
30	271092	2 in. Thread adapter. kit ⁹	94.27	113.27
31	271094	1-1/2 in. Thread adapter. kit ⁹	94.27	113.27
32	271096	2 in. Slip adapter. kit ⁹	94.27	113.27
32	274426Z	Adapter Kit, 1-1/2 in. x 2 in.	75.26	90.43
33	155738	Kit closure, 8-1/2 in HD	374.97	450.56
33	154641	Kit closure, 6 in. btr. thread, black, Detail A ¹³	301.76	362.59
33	154697	Kit closure, 6 in. "V" thread, tan, Detail B ¹³	293.02	352.09
33	154856	Kit closure, 8-1/2 in. btr. thread, black ^{10, 13}	375.57	451.28
34	154687	Fitting package complete ^{12, 13}	74.69	89.75
35	154611	Spacer air vent strainer, 3-3/4 in., TR40	9.97	11.98
35	154612	Spacer air vent strainer, 4-1/2 in., TR50/60	9.97	11.98
35	154613	Spacer air vent strainer, 5-1/2 in., TR100	9.97	11.98
35	154614	Spacer air vent strainer, 5 in., TR140	9.97	11.98
NOT SHOWN				
	154402	Tape ft. mounting TR40/50/60, 3 req.	9.97	11.98
	154407	Tape ft. mounting TR100/140, 3 req.	13.67	16.43
	154714	Bulkhead Asy 2 IN TR (includes items 20, 21, 22, 23, 24, & 25)	236.86	284.61
	151602	Bulkhead wrench, 2 in.	440.25	529.00
	154714	Bulkhead kit include items 20-25	236.86	284.61
	151092	Aluminum wrench, 8-1/2 in.	722.34	867.96
	152220Z	Sand drain, 2 in. (used on TR100 and TR140) (Left-hand thread)	68.22	81.97
	154871Z	Cap thd., 1-1/2 in.	CALL	CALL
	274494Z	Sand drain O-ring TA100 (used on TR100 and TR140)	6.22	7.47

Filters manufactured after Dec 1, 1991 utilize a 6 in. btr. thread in the filter tank top opening and on the closure, see Detail A.

Filters manufactured before Dec 1, 1991 utilize a 6 in. "V" type thread, see Detail B.

6 in. closures in Detail A and B are NOT interchangeable.



Detail A after 12/1/91
6 in. btr. Thread.



Detail B before 12/1/91
6 in. "V" Thread.

- ¹ Used on filters manufactured before 2-89.
- ² Used on filters manufactured after 2-89.
- ³ All filters manufactured before 11-1-99.
- ⁴ Used on filters manufactured after 11-1-99.
- ⁵ Used on filters manufactured before 5-85.
- ⁶ Used on filters manufactured after 5-85.
- ⁷ Used on filters manufactured before 3-83.
- ⁸ Used on filters manufactured after 3-83.
- ⁹ For installations w/out valve, pair.
- ¹⁰ Used on all TR100 & 140 filters manufactured after 10-1-01.
- ¹¹ Replacement of tank foot requires the use of foot mounting tape. See P/N's.
- ¹² Fitting package includes items 1,2,4,5 and 27.
- ¹³ For individual parts for closure kit for TR100 and TR140 see replacement parts pages.
- ¹⁴ For TR60's built after 6-07.

CALIFORNIA PROPOSITION 65 WARNING

▲ **WARNING:** Cancer and Reproductive Harm.
▲ **AVERTISSEMENT:** Peut Causer le Cancer et des Dommages au Système Reproducteur.
▲ **ADVERTENCIA:** Cáncer y Daño Reproductivo.

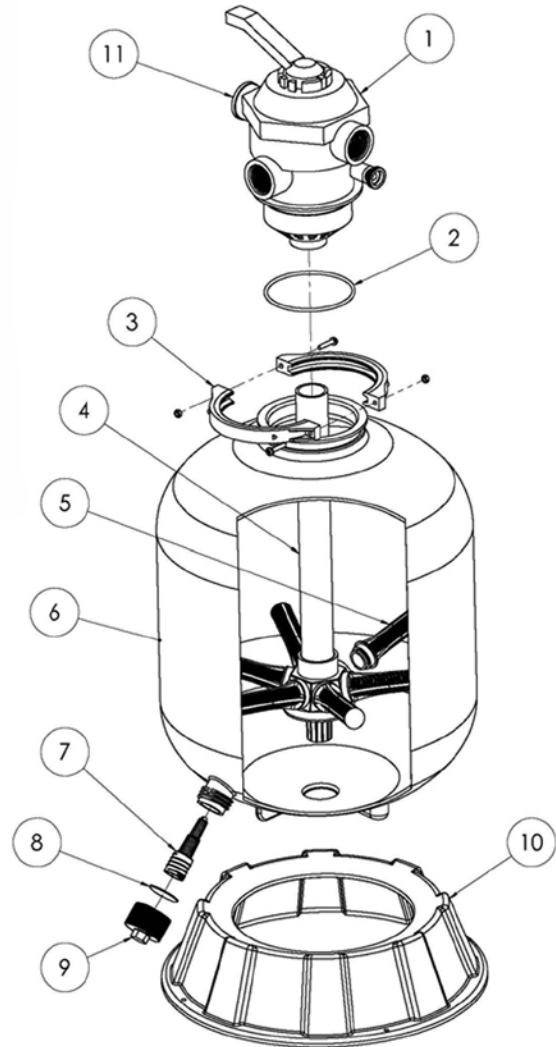
www.p65warnings.ca.gov
P65007A1

CRISTAL-FLO™ II HIGH-RATE SAND FILTERS

REPLACEMENT PARTS



Item	Part No.	Description	US List	Can. List
CRISTAL-FLO II HIGH-RATE SAND FILTERS				
1	262506	Valve, 1-1/2 in. 6-Way	CALL	CALL
1	262525	Valve, 2 in. with unions	CALL	CALL
2	272541Z	O-Ring Valve Body	CALL	CALL
3	152165	Clamp Assembly	37.82	45.44
4	152229	Piping Assembly – 16 in. Tank	187.73	225.58
4	152228	Piping Assembly – 19 in. Tank	173.32	208.26
4	152227	Piping Assembly – 22 in. Tank	201.49	242.11
4	152000	Piping Assembly – 24 in. Tank	200.49	240.91
4	152226	Piping Assembly – 26 in. Tank	157.96	189.80
4	152238	Piping Assembly – CFII 26 - 2 in.	168.91	202.96
5	150084	Lateral – 16 in. & 19 in. Tanks (6 req.)	10.42	12.52
5	150085	Lateral – 22 in., 24 in., & 26 in. Tanks (6 req.)	13.10	15.74
6	145364	Tank w/ Drain – 16 in. Tank	414.05	497.52
6	145365	Tank w/ Drain – 19 in. Tank	549.25	659.98
6	145366	Tank w/ Drain – 22 in. Tank	760.49	913.80
6	145369	Tank w/ Drain – 24 in. Tank	920.64	1106.24
6	145370	Assembled Tank w/ Drain – 26 in. Tank	1080.76	1298.64
7	154711Z	Sand Drain	25.57	30.72
8	154715Z	Gasket (Sand Drain)	CALL	CALL
9	154712Z	Drain Cap	46.09	55.38
10	154926	Foot, 16 in. Tank	151.21	181.69
10	154520	Foot, 19 in., 22 in., 24 in., & 26 in. Tanks	155.86	187.28
11	190059Z	Pressure Gauge	66.35	79.73
12	150055	Kit Drain Assy (Incl. #7, 8, 9)	78.31	94.10
NOT SHOWN				
	155151	Kit, Flex Hose, 6 ft.	151.09	181.55
	155005	Kit, Flex Hose, 12 ft.	199.40	239.60
	150119	Union Kit for 1-1/2 in. Valve	115.21	138.44
	272569	Union Kit for 2 in. Valve	CALL	CALL



CALIFORNIA PROPOSITION 65 WARNING

⚠ **WARNING:** Cancer and Reproductive Harm.
 ⚠ **AVERTISSEMENT:** Peut Causer le Cancer
 et des Dommages au Système Reproducteur.
 ⚠ **ADVERTENCIA:** Cáncer y Daño Reproductivo.

www.p65warnings.ca.gov. PR020174

SYSTEM:3® SAND FILTERS

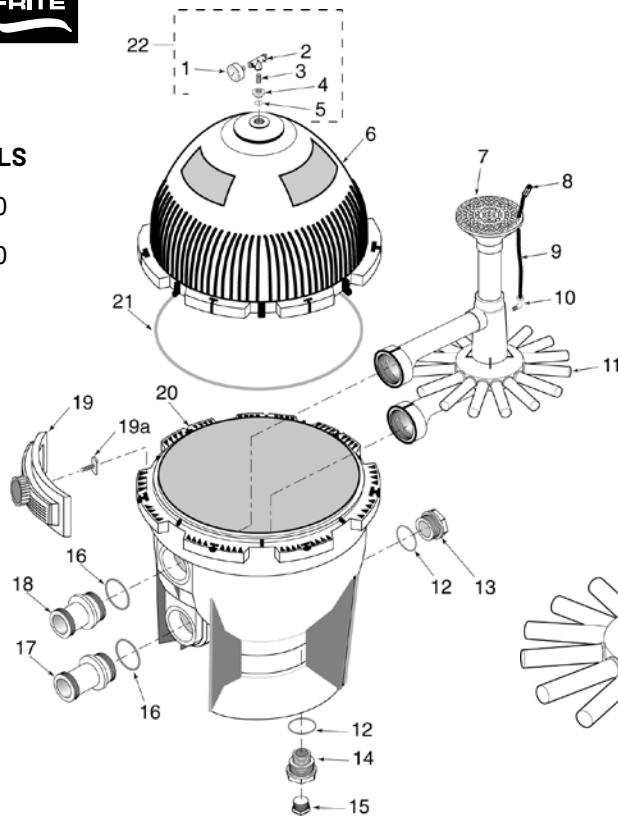
SS SERIES REPLACEMENT PARTS



MODELS

S7S50

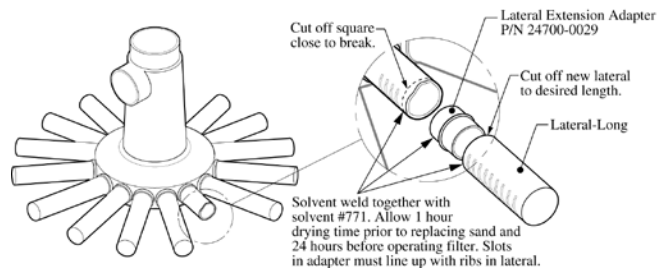
S8S70



Lateral repair procedure.

⚠ WARNING To avoid serious personal injury or property damage, follow cement manufacturer's instructions exactly.

CALIFORNIA PROPOSITION 65 WARNING
 ⚠ WARNING: Cancer and Reproductive Harm.
 ⚠ AVERTISSEMENT: Peut Causer le Cancer et des Dommages au Système Reproducteur.
 ⚠ ADVERTENCIA: Cáncer y Daño Reproductivo.
 www.p65warnings.ca.gov. P/N 201714



Item	Part No.	Description	US List	Can. List
SYSTEM:3 SAND FILTERS				
1	33600-0023T	2 in. Gauge	69.39	83.38
2	154689Z	Valve Assembly	44.04	52.92
•	U212-252DS	Brass Deluxe Air Bleed (optional)	CALL	CALL
3	35202-0959	Nipple	20.35	24.45
4	24900-0504	Adapter Bushing	27.10	32.56
5	35505-1423	O-Ring	2.91	3.50
6	24851-9000	Tank - Upper Half Kit ² - Model S7S50	1452.68	1745.54
6	24851-9001	Tank - Upper Half Kit ² - Model S8S70	1786.83	2147.05
7	24900-0100S	Collector - Assembly (Includes Laterals) - Model S7S50	935.54	1124.14
7	24901-0100S	Collector - Assembly (Includes Laterals) - Model S8S70	968.26	1163.46
8	WC8-126Z	Air Bleed Filter (Blue)	22.28	26.77
9	WC37-386P	Vent Tube	22.20	26.68
10	WC78-84P	Elbow - Male Parflex	18.27	21.95
11	24900-0002	Lateral - Model S7S50 (16 req.)	17.94	21.56
11	24901-0003	Lateral - Model S8S70 (16 req.)	20.36	24.46
12	35505-1424	O-Ring	13.45	16.16
13	24900-0503	Plug (Sand Removal)	41.47	49.83
14	24900-0505	Drain Fitting	38.03	45.70
15	27001-0022	1-1/2 in. NPT Plug	4.28	5.14
16	35505-1425	O-Ring	22.43	26.95
17	24900-0500	Tank Fitting	72.25	86.82

Item	Part No.	Description	US List	Can. List
SYSTEM:3 SAND FILTERS				
18	24900-0501	Tank Fitting	64.40	77.38
19	24850-0200	Clamp Assembly ³	189.65	227.88
19A	24850-0010	Clamp Bolt ³	45.92	55.18
20	24850-0104S	Tank - Lower Half - Model S7S50	1622.20	1949.24
20	24851-0105S	Tank - Lower Half - Model S8S70	1832.86	2202.36
21	24850-0008Z	Cord Ring - Model S7S50	CALL	CALL
21	24850-0009	Cord Ring - Model S8S70	106.39	127.84
22	24850-0105	Valve & Gauge Assembly (Includes #1, 2, 3, 4, 5)	145.19	174.46
NOT SHOWN				
	24700-0029	Lateral Extension Adapter ^{1,4}	9.74	11.70
	24850-0016	Clamp Retaining Ring ³	9.76	11.73
	25021-2021	System:3 Sand Conversion Kit #12,13,14,15,16,17,18) - Model S7S50 - Must also buy item # 7 separately	264.43	317.74
	25021-2025	System:3 Sand Conversion Kit #12,13,14,15,16,17,18) - Model S8S70 - Must also buy item # 7 separately	264.43	317.74

¹ Available for lateral repairs.

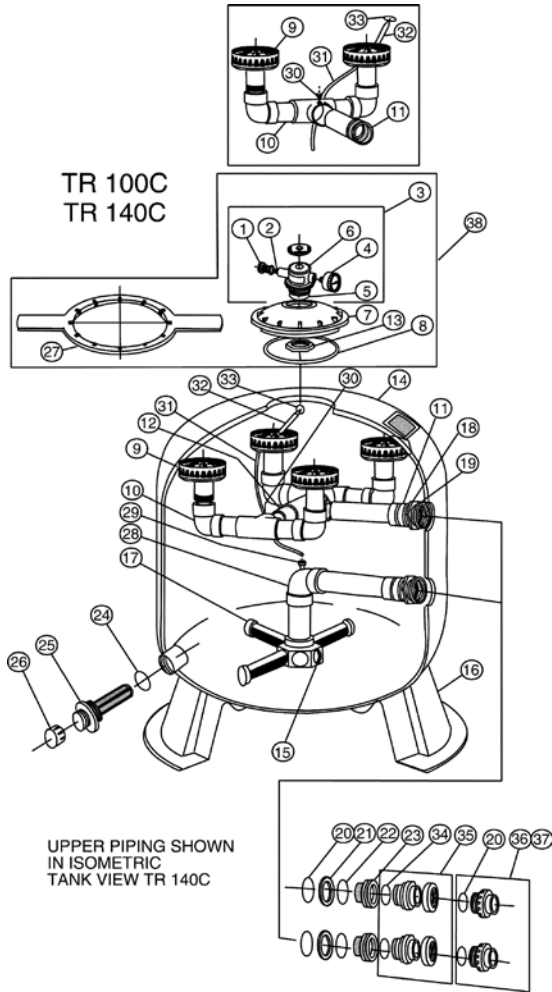
² Includes all decals and labels.

³ Model S7S50 uses seven clamps and bolts; Model S8S70 uses eight.

⁴ As required.

TR100C™ & TR140C™ FILTERS

REPLACEMENT PARTS FOR COMMERCIAL FIBERGLASS FILTERS



Item	Part No.	Description	US List	Can. List
TR100C & TR140C SAND FILTERS				
1	273512Z	Air bleeder w/ O-ring	CALL	CALL
2	273513Z	O-ring air bleeder screw	CALL	CALL
3	273564Z	Manual air relief body assembly	147.98	177.81
4	190059Z	Pressure gauge	66.35	79.73
5	274495	O-ring, 3/16 in. x 2-5/8 in. i.d.	2.18	2.62
6	273564Z	Valve body machined ARF	147.98	177.81
7	154575Z	Closure, 8-1/2 in. btr.	CALL	CALL
8	152509Z	Square ring 8-1/2 in.	11.33	13.61
9	154599	Diffuser Assembly	79.49	95.52
10	156355	Piping assembly upper TR100C, TR140C ¹	158.28	190.19
11	156344	Piping assembly upper inlet TR100C, TR140C	111.44	133.91
12	156354	Piping connecting assembly upper TR140C	125.70	151.04
13	154412Z	Nut, 2 in. internal	CALL	CALL

¹ Different quantities required for TR100C and TR140C Filters.

² Use on filters manufactured before 11-1-99.

³ Use on filters manufactured after 11-1-99.

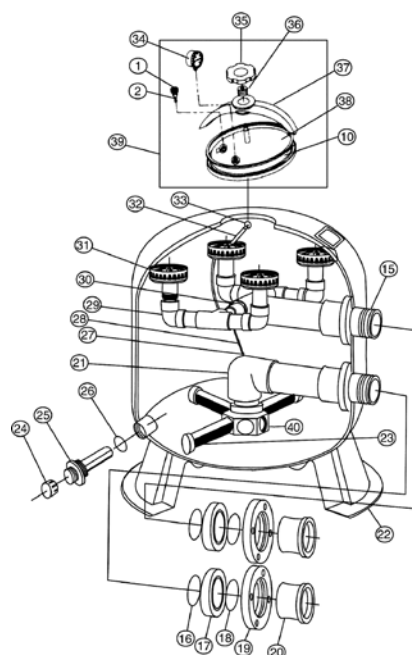
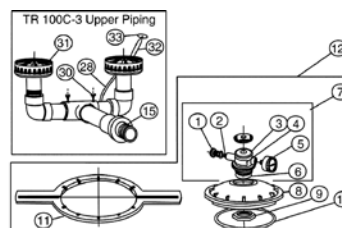
Item	Part No.	Description	US List	Can. List
TR100C & TR140C SAND FILTERS				
14	153430	Tank & ft. assembly TR100C, 8-1/2 in. btr. thd., black	2495.70	2998.83
14	153431	Tank & ft. assembly TR140C, 8-1/2 in. btr. thd., black	3637.15	4370.40
15	154453	Hub lateral TR100C/TR140C	162.76	195.57
16	154596	Foot, 24 in. dia. TR100C/TR140C	229.66	275.96
17	152202Z	Lateral, 9-1/8 in. TR100C, 8 req.	17.53	21.06
17	154540Z	Lateral, 12 in. TR140C, 8 req.	31.78	38.19
18	154412Z	Locknut, 2 in. internal	CALL	CALL
19	154416	Spacer, 2 in. internal	22.11	26.57
20	154492Z	O-ring, 2 in. bulkhead	CALL	CALL
21	154408	Spacer, 2 in. external	CALL	CALL
22	154538Z	Gasket, 2 in. bulkhead	CALL	CALL
23	154405	Bulkhead, 2 in.	CALL	CALL
24	274494Z	O-ring, 3/16 in. x 2-5/8 in. L.H. Thread	6.22	7.47
25	152220Z	2 in. sand drain (Left-hand thread)	68.22	81.97
26	154871Z	Cap thd., 1-1/2 in.	CALL	CALL
27	154527Z	Wrench, 8-1/2 in. closure	CALL	CALL
28	154807	Piping assembly lower TR100C	85.52	102.76
28	154489	Piping assembly lower TR140C	88.15	105.92
29	150036	Connector air relief tube ³	2.36	2.84
30	273071	Screw, No.14 18-8 TR100C ¹	2.65	3.18
31	154437	Tube air relief TR100C ²	27.69	33.27
31	150041	Tube air relief TR100C ³	23.55	28.30
31	154438	Tube air relief TR140C ²	35.81	43.03
31	150042	Tube air relief TR140C ³	21.92	26.34
32	154507	Spacer air vent strainer TR100C 6-3/4 in.	13.27	15.95
32	154508	Spacer air vent strainer TR140C 10-5/16 in.	17.22	20.69
33	154578Z	Strainer air relief ²	CALL	CALL
33	150035Z	Strainer air relief ³	CALL	CALL
34	274494Z	O-ring valve adapter	6.22	7.47
35	271096	2 in. slip adaptor kit for inst. w/o valve (pair)	94.27	113.27
35	274426Z	Adapter Kit, 2-1/2 in. x 2 in.	75.26	90.43
36	271092	2 in. thd. adaptor kit for inst. w/o valve (pair)	94.27	113.27
37	271094	1-1/2 in. thd. adaptor kit for inst. w/o valve (pair)	94.27	113.27
38	154856	Kit closure 8-1/2 in. btr. thd. blk.	375.57	451.28

TRITON® C-3 FILTERS

REPLACEMENT PARTS FOR FIBERGLASS FILTERS

Item	Part No.	Description	US List	Can. List
TRITON C & C-3 SAND FILTERS				
1	273512Z	Air bleeder with O-ring ^{2,3}	CALL	CALL
2	273513Z	O-ring air bleeder screw ²	CALL	CALL
3	273564Z	Valve body machined ²	147.98	177.81
4	272546	Label warning manual air relief ²	CALL	CALL
5	190059Z	Pressure gauge ²	66.35	79.73
6	152517	O-ring adapter, 6 in. ²	6.64	7.98
7	273564Z	Manual air relief assembly ²	147.98	177.81
8	154575Z	Closure 8-1/2 in. ²	CALL	CALL
9	154412Z	Locknut, 2 in. internal	CALL	CALL
10	152509Z	Square ring-closure ^{2,3}	11.33	13.61
11	154527Z	Wrench, 8-1/2 in. closure ²	CALL	CALL
12	154856	Kit, 8-1/2 in. closure butt thread ⁶	375.57	451.28
12	156842	Closure kit C3 with bulkhead gaskets ⁶	411.09	493.97
15	154007	Upper piping assembly TR 100C-3	228.63	274.72
15	154008	Upper piping assembly TR 140C-3	232.63	279.53
16	154005	O-ring parker 2-343, 2 req.	CALL	CALL
17	154002	Spacer, 3 in., 2 req.	95.31	114.52
18	154004	O-ring parker 2-342, 2 req.	9.97	11.98
19	154003	Flange, 3 in., 2 req.	119.83	143.99
20	154001	Adapter flange, 3 in., 2 req.	98.53	118.39
21	154009	Lower piping assembly TR 100C-3 (Hub not included - see item 40)	233.50	280.57
21	154010	Lower piping assembly TR 140C-3 (Hub not included - see item 40)	230.31	276.74
22	154596	Foot, 24 dia. TR 100C-3/140C-3	229.66	275.96
23	152202Z	Lateral, 9 in. TR 100C-3, 8 req.	17.53	21.06
23	154540Z	Lateral, 12 in. TR 140C-3, 8 req.	31.78	38.19
24	154871Z	Cap thd., 1-1/2 in.	CALL	CALL
25	152220Z	Sand drain, 2 in. (Left-hand thread)	68.22	81.97
26	274494Z	O-ring, 3/16 in. x 2-5/8 in. i.d., 2 req.	6.22	7.47
27	154441	Connector air relief tube	CALL	CALL
28	154437	Tube air relief TR100C-3 (23 in.) ⁴	27.69	33.27
28	151114	Tube air relief TR100C-3 ⁵	26.66	32.03
28	154438	Tube air relief TR140C-3 (27 in.) ⁴	35.81	43.03
28	151115	Tube air relief TR140C3 ⁵	34.44	41.38
29	154018	Diffuser piping assembly TR 140C-3, 2 req	313.31	376.47
30	273071	Screw, No.10-1-1/2 in. flathead phillips, 2 req.	2.65	3.18

Item	Part No.	Description	US List	Can. List
TRITON C & C-3 SAND FILTERS				
31	154599	Diffuser (2 req'd. for TR 100C-3), 2 req.	79.49	95.52
31	154599	Diffuser (4 req'd. for TR 140C-3), 4 req.	79.49	95.52
32	154507	Spacer TR 100C-3, 6-3/4 in.	13.27	15.95
32	154508	Spacer TR 140C-3, 10-5/16 in.	17.22	20.69
33	154578Z	Strainer air relief ⁴	CALL	CALL
33	150035Z	Strainer air relief ⁵	CALL	CALL
34	190058Z	Pressure gauge, 1/4 in. psi ³	13.45	16.16
35	154581	Knob TR oval ³	29.90	35.93
36	154582	Spring TR oval ³	70.11	84.24
37	154579	Bridge TR oval ³	166.62	200.21
38	154576	Closure oval ³	156.70	188.29
39	156841	Kit TR oval closure ^{1,3}	526.77	632.97
40	154016Z	Hub	CALL	CALL
NOT SHOWN				
154714		Bulkhead ASY 2 IN TR (includes items 20, 21, 22, 23, 24, & 25)	236.86	284.61
151600		Oval Bulkhead Wrench	819.37	984.55
151604		Oval Bulkhead Wrench	1081.55	1299.59
150096		3" Flange Gaskets	CALL	CALL
151092		Aluminum Wrench	722.34	867.96



¹ P/N 156841 includes items 1, 10, 34 thru 38.

² Used on filters manufactured before 3-97.

³ Used on filters manufactured after 3-97.

⁴ Used on filters manufactured before 11-99.

⁵ Used on filters manufactured after 11-99.

⁶ Used on filters manufactured after 4-15.

SCH 40 & 80 FOR TR100C, TR140C & TR100C-3, TR140C-3

TANDEM FILTER PIPING KITS FOR 2 IN. AND 3 IN. FILTERS

Item	Description	Schedule	Qty.
THE FOLLOWING ARE INCLUDED IN KITS FOR TR C FILTERS			
1	Flange VS, socket, 150 lb.	80	2
2	Flange VS, spigot, 150 lb.	80	6
3	Butterfly valve, Asahi SP		4
4	Hardware kit, valve/flange hardware (No. 1), Includes: 16-5/8 x 6 in. hex head bolts, 16-5/8 in. nuts, 32-5/8 in. washers		1
5	Socket reducer tee	40	4
6	2 in. Spigot x socket 45° str. elbow	40	4
7	2 in. Spigot female adapter, spigot x fipt	40	4
8	2 in. Valve adapter kit		2
9	Socket tee	40	1
10	90° Socket elbow	40	1
11	Socket reducer saddle	40	6
12	2 in. Flange one-piece socket, 150 lb.	80	2
SINGLE TANK 2 IN. ADDER KIT			
1	Socket reducer tee, 4 x 2	40	2
2	2 in. Spigot x socket 45° str. elbow	40	2
3	2 in. Spigot female adapter, spigot x fipt	40	2
4	2 in. Valve adapter kit		1
5	Socket reducer saddle, 4 x 2	40	3
6	2 in. Flange one-piece socket, 150 lb.	80	1
THE FOLLOWING ARE INCLUDED IN KITS FOR TR C-3 IN. FILTERS			
1	Flange VS, socket, 150 lb.	80	2
2	Flange VS, spigot, 150 lb.	80	6
3	Butterfly valve, Asahi SP		4
4	Hardware kit, valve/flange hardware (No.1), Includes: 16-5/8 x 6 in. hex head bolts, 16-5/8 in. nuts, 32-5/8 in. washers		1
5	Socket tee	40	5
6	3 in. Spigot x socket 45° str. elbow	40	4
7	Socket reducer saddle	40	3
8	2 in. Flange one-piece socket, 150 lb. solid	80	1
9	3 in. Flange VS, spigot, 150 lb.	80	4
10	3 in. Bolt pack, tank/flange hardware w/ gasket (No.4), Includes: 16-5/8 x 3-1/4 in. hex head bolts, 16-5/8 in. nuts, 32-5/8 in. washers		1
11	90° Socket elbow	40	1
SINGLE TANK 3 IN. ADDER KIT			
1	Socket reducer tee	40	2
2	3 in. Spigot x socket 45° str. elbow	40	2
3	Socket reducer saddle	40	3
4	2 in. Flange one-piece socket, 150 lb. solid	80	1
5	3 in. Flange VS, spigot, 150 lb.	80	2
6	3 in. Bolt pack, tank/flange hardware w/ gasket (No.5), Includes: 8-5/8 x 3-1/4 in. hex head bolts, 8-5/8 in. nuts, 16-5/8 in. washers		1

Please contact the Factory for Drawings and Sizing details on Plumbing kits for the Triton C & C-3 in. Filters.

Product on pages 93–94.

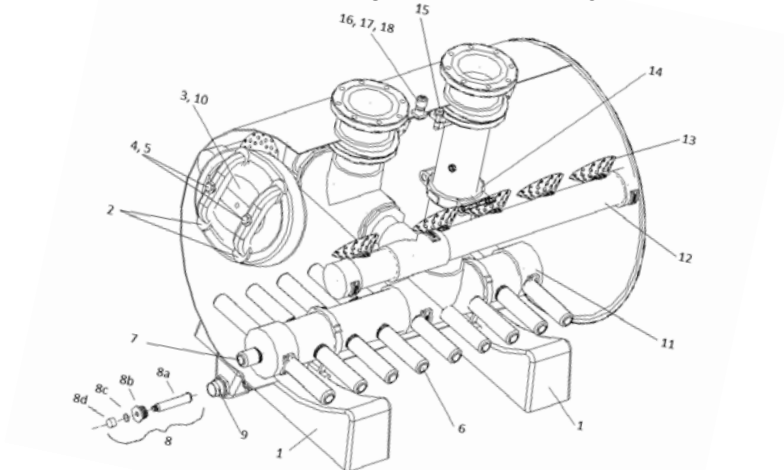
CALIFORNIA PROPOSITION 65 WARNING

▲ **WARNING:** Cancer and Reproductive Harm.
▲ **AVERTISSEMENT:** Peut Causer le Cancer et des Dommages au Système Reproducteur.
▲ **ADVERTENCIA:** Cáncer y Daño Reproductivo.

www.p65warnings.ca.gov
PH2017A

THS SERIES® HORIZONTAL SAND FILTER

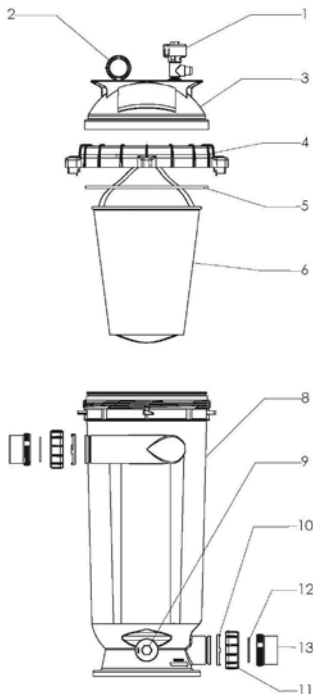
REPLACEMENT PARTS



THS SERIES® HORIZONTAL SAND FILTERS				
1	B4848BL-32	Tank Saddle, Black	All	2
2	B4856	Yoke, Manway	All	2
3	B4852A-N	Glass Filled Manway Cover, Black	All	1
4	94910	HHMB, 3/4 in. x 4 in., T316 S/S	All	2
5	B4860	3/4 in. Flat Washer, T316 S/S	All	2
6	B4804	10 in. Effluent Lateral	THS3461	14
			THS3484	20
			THS4272	18
			THS4284	24
7	B4803	3-1/2 in. Effluent Lateral	THS3461 - THS3484	2
			THS4272 - THS4296	3
8	B4980	Media Dump Assembly	All	1
8a	B4983	6 in. Lateral, 1/2 in. NPT	All	1
8b	B4982	1-1/2 in. Pipe Plug	All	1
8c	B4698	O-Ring	All	1
8d	B4984	1/2 in. Pipe Cap	All	1
9	B4981X	1-1/2 in. NPT Tank Adapter	All	1
10	B4951	Manway O-ring	All	1
11	**	Effluent Manifold without Laterals	**	1
12	**	Influent Manifold without Laterals	**	1
13	B4806	Shower Head Diffuser	THS3461	8
			THS3484	10
			THS4272	10
			THS4284	12
14	B4570	4 in. Grooved Coupling Assembly	THS3461 - THS3484	1
			THS4272 - THS4296	1
14	B4572	6 in. Grooved Coupling Assembly	THS4272 - THS4296	1
15	B4578	Automatic Air Relief Assembly	All	1
16	B4974BAN	1/2 in. Manual Air Relief Cap	All	1
17	B4970BAN	1/2 in. Threaded Nipple	All	1
18	B4979BAN	1/2 in. Bulkhead Fitting	All	1

SEPARATION TANK

REPLACEMENT PARTS

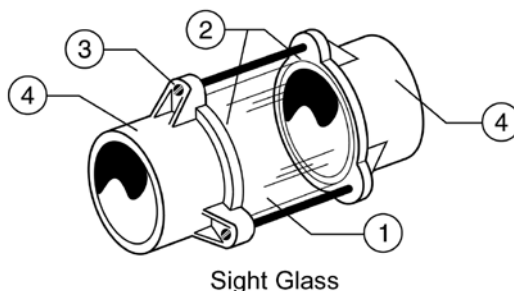


Item	Part No.	Description	US List	Can. List
SEPARATION TANK - SEP 48/72/96/144				
1	98209800	High Flow manual air relief valve	52.99	63.67
2	190058Z	Pressure Gauge	13.45	16.16
3	310010Z	Tank Lid	244.08	293.29
4	59052900Z	Locking Ring Assembly	CALL	CALL
5	87300400Z	Body O-Ring	14.97	17.99
6	170099	Separation Bag Retaining Ring	228.95	275.11
8	178731Z	Tank Bottom	535.93	643.97
9	154712Z	Drain Cap Assembly	46.09	55.38
10	178732Z	Union Nut "C" Clip	11.88	14.28
11	U11-200PSZ	Union Nut	16.77	20.15
12	178746Z	Union Diamond Seal	6.42	7.71
13	178733Z	Union, Threaded Half	68.08	81.80
	170099	Separation Bag (Not Shown)	228.95	275.11

Product on page 72.

SIGHT GLASS

REPLACEMENT PARTS FOR AMERICAN PRODUCTS MODELS



Sight Glass

Item	Part No.	Description	US List	Can. List
SIGHT GLASS				
2	51006100	Gasket, 2 req.	4.96	5.96
3	51006200	Bolt, 3 req.	CALL	CALL
4	51013200	Top and bottom ABS, 1-1/2 socket	CALL	CALL
NOT SHOWN				
	619312	Nut, 8-32, 3 req.	0.52	0.62

¹ Used on filters manufactured before 9-96.

² To upgrade sep. tanks manufactured after 9-96.

CALIFORNIA PROPOSITION 65 WARNING

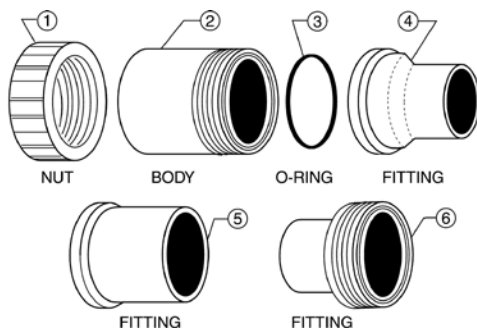
▲ **WARNING:** Cancer and Reproductive Harm.
▲ **AVERTISSEMENT:** Peut Causer le Cancer et des Dommages au Système Reproducteur.
▲ **ADVERTENCIA:** Cáncer y Daño Reproductivo.

www.p65warnings.ca.gov
PR020714

Product on page 95.

UNIONS

REPLACEMENT PARTS



Item	Part No.	Description	US List	Can. List
UNIONS				
1	51013011	Nut, black	41.53	49.90
2	87201911	Fitting, 2 in. slip ABS	CALL	CALL
3	51013500	O-ring	9.64	11.58
4	87202411	Body male, 1-1/2 in., ABS	30.33	36.44
5	87202211	Body, 1-1/2 in. slip x 2 in. male ABS	35.42	42.56

CALIFORNIA PROPOSITION 65 WARNING

⚠ **WARNING:** Cancer and Reproductive Harm.
 ⚠ **AVERTISSEMENT:** Peut Causer le Cancer et des Dommages au Système Reproducteur.
 ⚠ **ADVERTENCIA:** Cáncer y Daño Reproductivo.

www.p65warnings.ca.gov. PN 20251A

HEATERS & HEAT PUMPS PARTS

Product Catalog 2024

HEATER MASTER KITS

REPLACEMENT PARTS



Part No.	Description	Qty.	US List	Can. List
HEATER MASTER KIT - ALL				

	461100 HEATER MASTER KIT - ALL		1760.66	2115.61
Included in Kit	32850-0099	"Fireman's Switch Fuse (1.25 amps)"	3	
	U9-226Z	ORNG #2-226 70 DURO BUNA	2	
	472610Z	Membrane Pad (NA, LP Series)	1	
	476223	Ignition Control Module	1	
	42001-0053S	Thermistor	2	
	42001-0060S	Water Pressure Switch	1	
	42001-0061S	Air Flow Switch	1	
	42001-0063S	High Limit Switch	2	
	42001-0107S	Transformer, 115/230V	1	
	461105	Control Board Kit (NA, LP Series)	1	
	42002-0024S	Stack Flue Sensor	1	
	42002-0025S	Automatic Gas Shutoff Switch (AGS)	2	
	77707-0001	Manifold Bypass Valve Kit	1	
	77707-0010	"Thermal Regulator Kit (Incl. Spring, O-ring, Cap and Spring Clip)"	1	
	77707-0054	Igniter/Igniter Gasket Kit	1	



HEATER MASTER KIT - ELECTRICAL				
---------------------------------------	--	--	--	--

	461101 HEATER MASTER KIT - ELECTRICAL		765.51	919.84
Included in Kit	32850-0099	"Fireman's Switch Fuse (1.25 amps)"	3	
	42001-0053S	Thermistor	2	
	42001-0060S	Water Pressure Switch	1	
	42001-0061S	Air Flow Switch	1	
	42001-0063S	High Limit Switch	2	
	42002-0024S	Stack Flue Sensor	1	
	42002-0025S	Automatic Gas Shutoff Switch (AGS)	2	
	77707-0054	Igniter/Igniter Gasket Kit	1	



HEATER MASTER KIT - WATER				
----------------------------------	--	--	--	--

	461102 HEATER MASTER KIT - WATER		612.40	735.86
Included in Kit	42001-0053S	Thermistor	2	
	42001-0060S	Water Pressure Switch	1	
	42001-0063S	High Limit Switch	2	
	42002-0025S	Automatic Gas Shutoff Switch (AGS)	2	
	77707-0001	Manifold Bypass Valve Kit	1	
	77707-0010	"Thermal Regulator Kit (Incl. Spring, O-ring, Cap and Spring Clip)"	1	

*Compatible with Pentair MasterTemp® High Performance Heaters,
Sta-Rite Max-E-Therm® High Performance Heaters, Models 175/200/250/300/333/400.*

Not compatible with 125,000 BTU heater.

Save money by purchasing commonly used replacement parts in one handy, reusable hard case.
Conveniently refill by ordering individual parts.

ETi® 400 HEATER

REPLACEMENT PARTS

Item	Part No.	Description	US List	Can. List	Item	Part No.	Description	US List	Can. List
SYSTEM									
1	475978	Fan Control Board	221.30	265.91	35	475622	Vent Socket	130.15	156.39
2	475984	Membrane Pad	115.03	138.22	36	475623	TitanTough Heat Exchanger	6896.23	8286.51
3	475985	AGS 150 degree F	88.51	106.35	37	475624	Burner	CALL	CALL
4	475987	Air Pressure Switch	128.34	154.21	38	476000	Combustion Blower Replacement Kit	390.53	469.26
5	475996	Wire Harness	520.77	625.76	39	476001	Gas Control Valve Replacement Kit	CALL	CALL
6	475998	Thermal Fuse (white)	110.60	132.90	40	38404-4097S	3/4 in. Union	55.99	67.28
7	475601	Stack Flue Sensor (blue)	97.35	116.98	41	42001-0063S	High Limit Switch	97.35	116.98
8	476081Z	Gas Engine Spark Electrodes	201.60	242.24	42	U178-920PZ	Drain Plug	7.80	9.37
9	475982	Spark Electrodes Cables	190.32	228.69	43	476002	Manifold	559.86	672.73
10	475980	Condensate Assembly/Float Switch	354.07	425.45	44	476003	Manifold-Enclosure Fasteners	173.56	208.55
11	475615	HX and Chimney Gaskets	885.32	1063.80	45	476004	Hold Down Bracket Kit	86.76	104.25
12	475606	Heat Exchanger Screws	110.60	132.90	46	476072	Propane Gas Orifice Kit	177.03	212.72
13	475979	Assembly, Plug 120/240V	88.51	106.35	47	475975	Control Board	265.58	319.12
14	475603	Tridicator	132.77	159.54	48	475976	Ignition Control Module	354.07	425.45
15	475604	Gas and Air orifices (natural gas)	70.79	85.06	49	462023	Flame Sensor	CALL	CALL
16	475973	Heater Gasket Kit	398.35	478.66	50	476059	Burner Assembly	CALL	CALL
17	475971	Air Intake Kit	349.69	420.19	51	476101	Base Door Gas Side	243.00	291.99
18	475608	Gas Side Panel	216.97	260.71	52	476102	Base Door Control Side	243.00	291.99
19	475609	Water Manifold Panel	130.15	156.39	53	476106	Kit Heat Exchanger Union Adapters	390.53	469.26
20	475610	Control Board Panel	243.00	291.99	54	475777Z	Top Panel	CALL	CALL
21	475611	Latch Assembly	108.45	130.31		462054	Accessories and Documents Bundle	CALL	CALL
22	475612	Condensate Neutralizer Kit	386.27	464.14					
23	475613	Inlet Plumbing Assembly	737.75	886.48					
24	475614	Outlet Plumbing Assembly	564.15	677.88					
25	475617	Exhaust Assembly	125.82	151.19					
26	42001-0056S	Terminal Board	84.00	100.93					
27	32850-0099	Fireman's Switch Fuse (1.25 amps)	11.74	14.11					
28	42001-0053S	Thermistor, Water Sensor	124.34	149.41					
29	42001-0060S	Water Pressure Switch	128.49	154.39					
30	42001-0107S	Dual Voltage Transformer	106.18	127.59					
31	475618	Pressure Relief Valve	216.97	260.71					
32	475619	Control Cover	43.37	52.11					
33	475620	Vent Cap Exhaust	17.30	20.79					
34	475621	Water Bypass Assembly	56.37	67.73					

CALIFORNIA PROPOSITION 65 WARNING

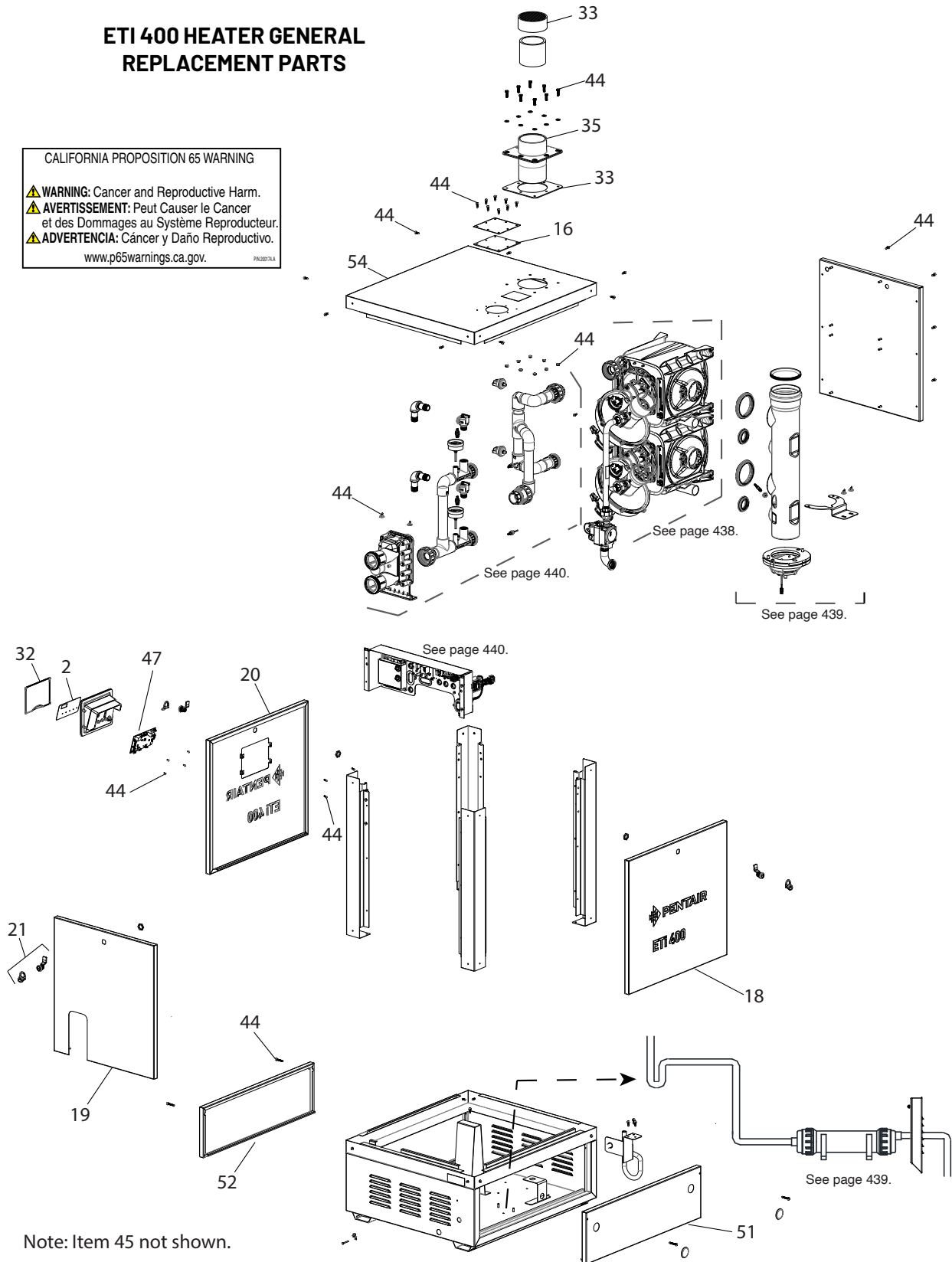
⚠️ **WARNING:** Cancer and Reproductive Harm.
 ⚠️ **AVERTISSEMENT:** Peut Causer le Cancer et des Dommages au Système Reproducteur.
 ⚠️ **ADVERTENCIA:** Cáncer y Daño Reproductivo.
www.p65warnings.ca.gov

ETi® 400 HEATER (CONT'D)

REPLACEMENT PARTS

ETI 400 HEATER GENERAL REPLACEMENT PARTS

CALIFORNIA PROPOSITION 65 WARNING
 ⚠️ **WARNING:** Cancer and Reproductive Harm.
 ⚠️ **AVERTISSEMENT:** Peut Causer le Cancer et des Dommages au Système Reproducteur.
 ⚠️ **ADVERTENCIA:** Cáncer y Daño Reproductivo.
 www.p65warnings.ca.gov. PK2017A



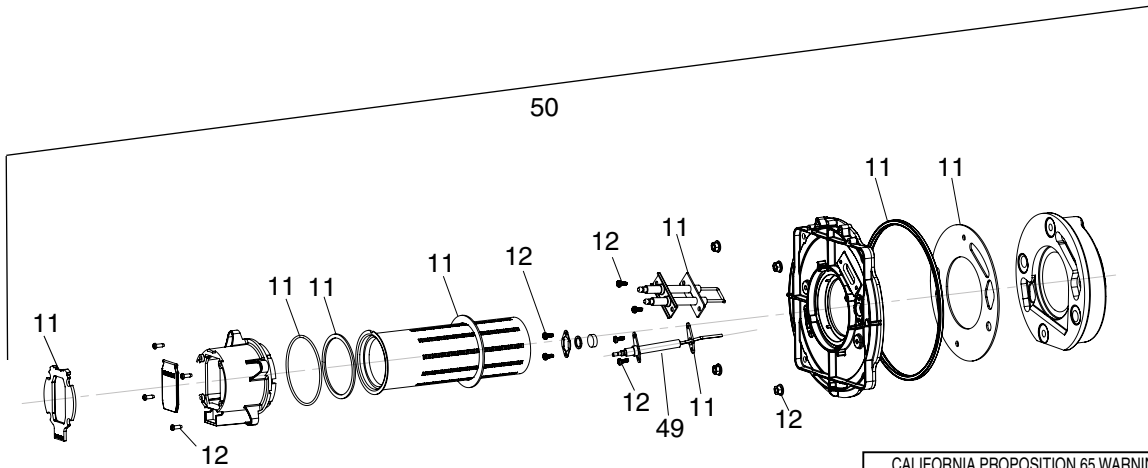
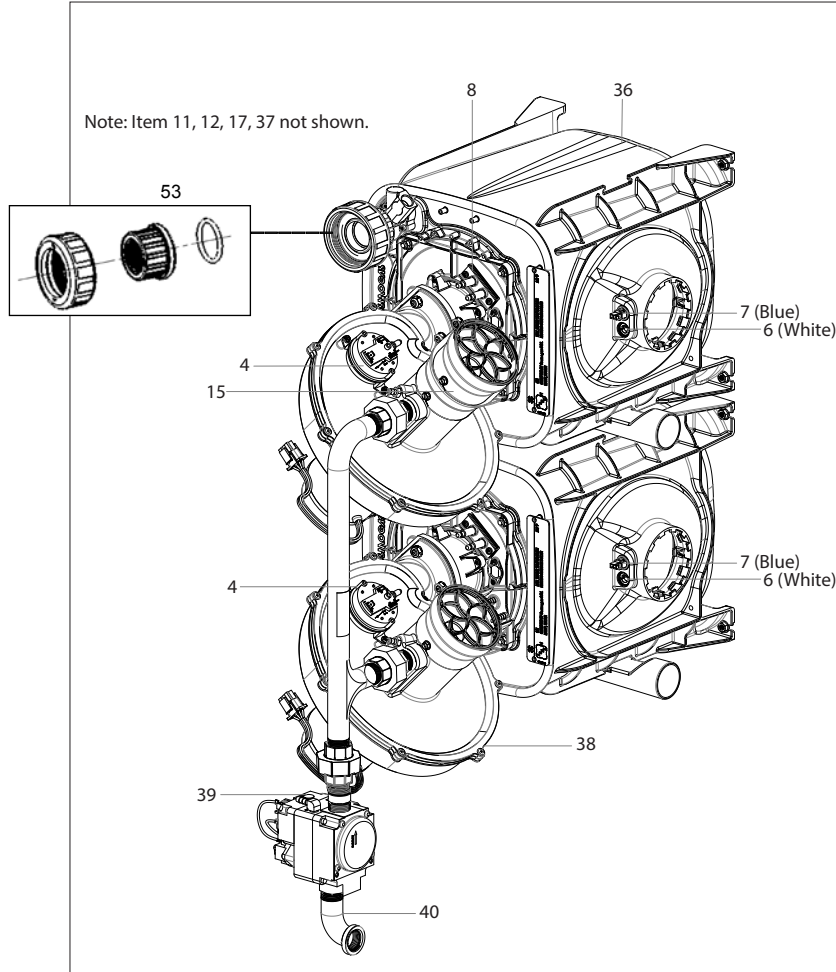
Note: Item 45 not shown.

Product on page 100–101.

ETi® 400 HEATER (CONT'D)

REPLACEMENT PARTS

BURNER SYSTEM REPLACEMENT PARTS



CALIFORNIA PROPOSITION 65 WARNING

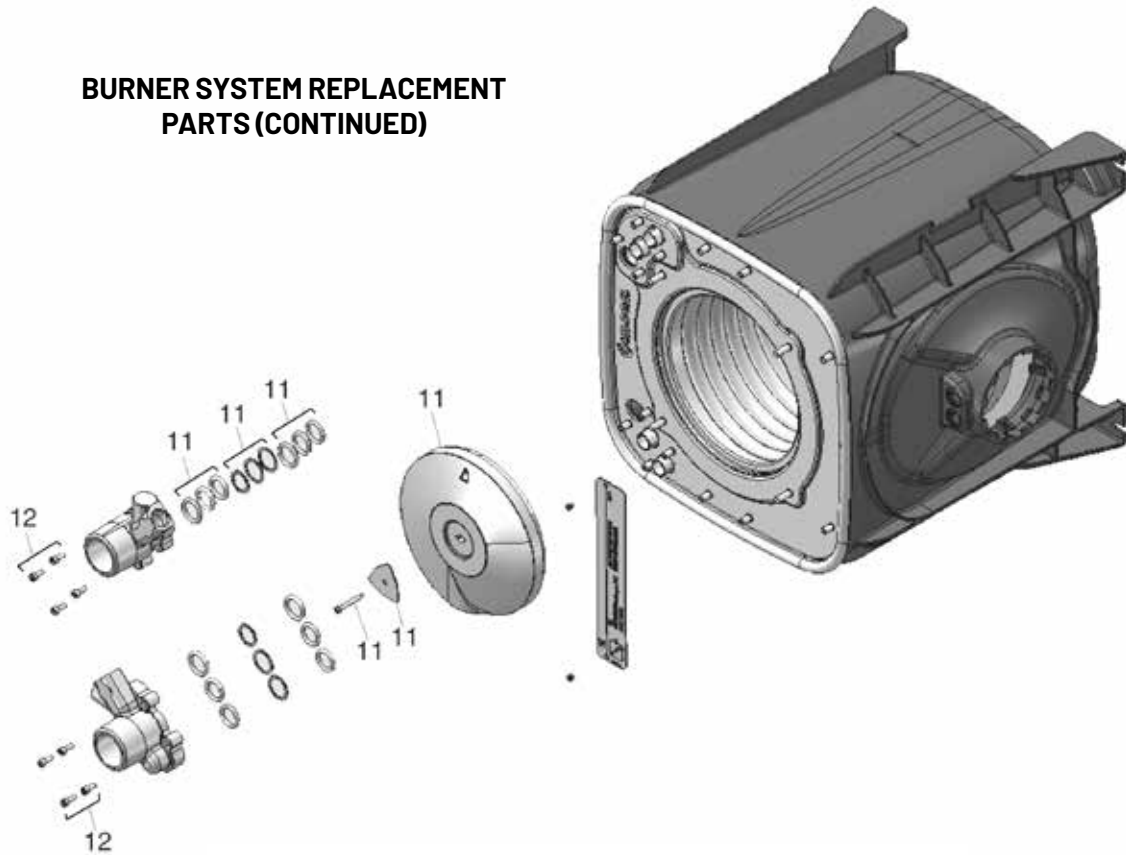
⚠ **WARNING:** Cancer and Reproductive Harm.
 ⚠ **AVERTISSEMENT:** Peut Causer le Cancer et des Dommages au Système Reproducteur.
 ⚠ **ADVERTENCIA:** Cáncer y Daño Reproductivo.

www.p65warnings.ca.gov. PH201714

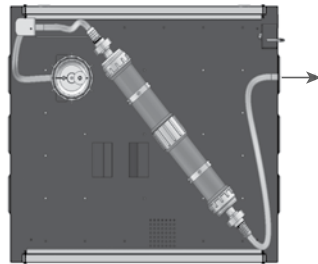
ETi® 400 HEATER (CONT'D)

REPLACEMENT PARTS

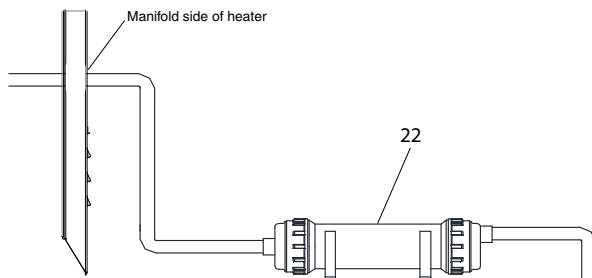
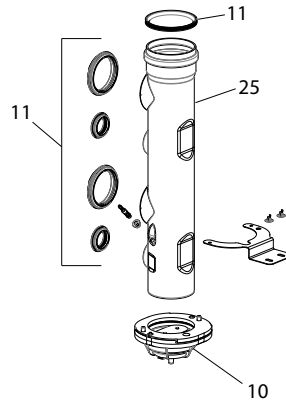
BURNER SYSTEM REPLACEMENT PARTS (CONTINUED)



ETI 400 HEATER CONDENSATE ASSEMBLY REPLACEMENT PARTS



Condensate Neutralizer Cartridge (Optional, P/N 475612 sold separately). The cartridge may be mounted to the base of the heater for an outdoor installation.



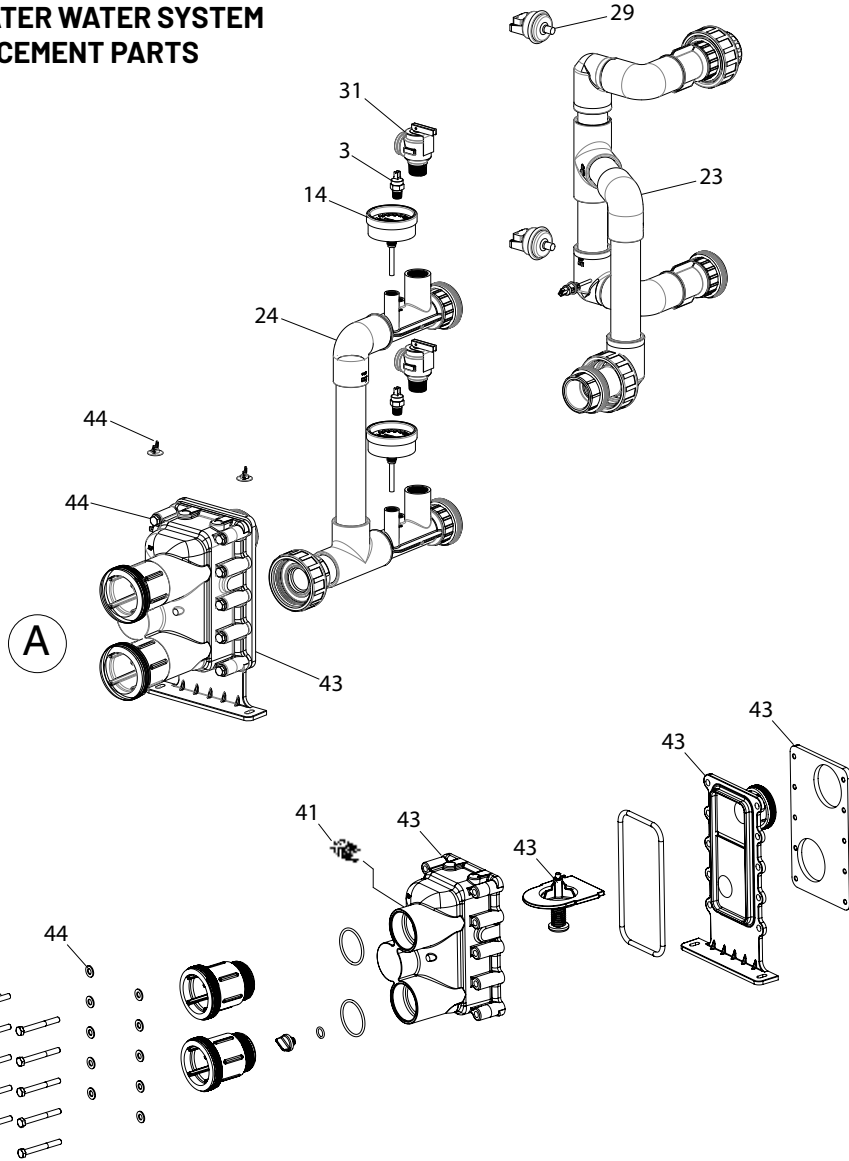
Condensate Neutralizer Cartridge (Optional, P/N 475612 sold separately). The cartridge may be mounted external to the heater for an indoor installation.

CALIFORNIA PROPOSITION 65 WARNING
 ⚠️ **WARNING:** Cancer and Reproductive Harm.
 ⚠️ **AVERTISSEMENT:** Peut Causer le Cancer et des Dommages au Système Reproducteur.
 ⚠️ **ADVERTENCIA:** Cáncer y Daño Reproductivo.
www.p65warnings.ca.gov

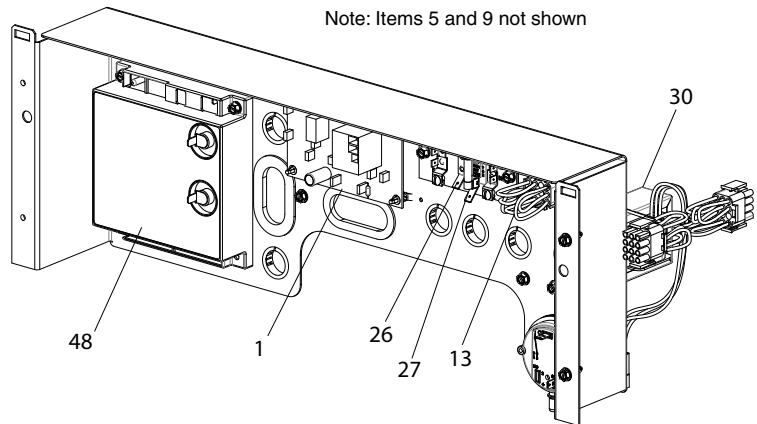
ETi® 400 HEATER (CONT'D)

REPLACEMENT PARTS

ETI 400 HEATER WATER SYSTEM REPLACEMENT PARTS



OPERATOR CONTROL PANEL ASSEMBLY REPLACEMENT PARTS



CALIFORNIA PROPOSITION 65 WARNING

⚠ **WARNING:** Cancer and Reproductive Harm.
 ⚠ **AVERTISSEMENT:** Peut Causer le Cancer
 et des Dommages au Système Reproducteur.
 ⚠ **ADVERTENCIA:** Cáncer y Daño Reproductivo.

www.p65warnings.ca.gov

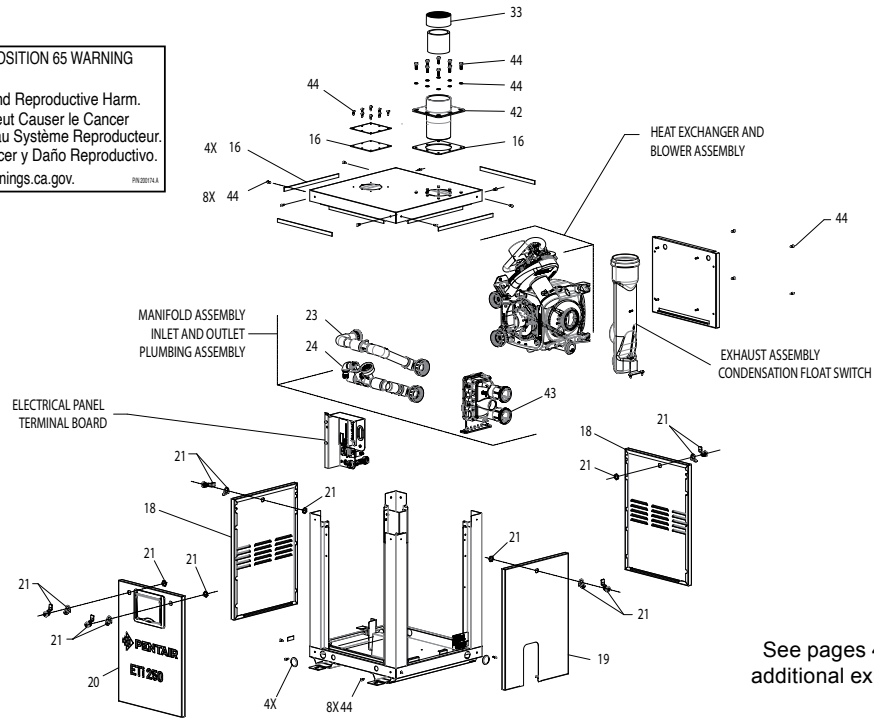
PH3287XA

Product on page 100–101.

ETi® 250

HIGH EFFICIENCY POOL AND SPA HEATER REPLACEMENT PARTS

CALIFORNIA PROPOSITION 65 WARNING
⚠ WARNING: Cancer and Reproductive Harm.
⚠ AVERTISSEMENT: Peut Causer le Cancer et des Dommages au Système Reproducteur.
⚠ ADVERTENCIA: Cáncer y Daño Reproductivo.
www.p65warnings.ca.gov



See pages 442–446 for additional exploded views.

Item	Part No.	Description	US List	Can. List
SYSTEM				
1	476384	Control Board	243.00	291.99
2	461106	Membrane Pad	215.67	259.15
3	475985	Automatic Gas Shut-Off Switch (AGS) 150°F	88.51	106.35
4	476365	Air Pressure Switch	215.27	258.67
5	475601	Stack Flue Sensor	97.35	116.98
6	476364	Wire Harness (not shown)	517.95	622.37
7	475998	Thermal Switch/Fuse	110.60	132.90
8	476081Z	Spark Electrode LP-NA	201.60	242.24
9	475982	Spark Electrodes Cables (not shown)	190.32	228.69
10	476366	Float Switch (KIT)	354.03	425.40
11	476367	Hx And Chimney Gaskets And Insulation	CALL	CALL
12	476417	Heat Exchanger Screw (KIT)	CALL	CALL
13	475979	Plug 120/240V	88.51	106.35
14	475603	Tridicator Gauge	132.77	159.54
15	476369	Natural Gas Orifices (KIT)	CALL	CALL
16	476419	Heater Gasket (KIT)	158.80	190.81
17	476371	Air Intake (KIT)	185.55	222.96
18	476372	Panel, Louver Door ETI-250	220.31	264.72
19	476374	Panel, Water Manifold Door, ETI 250	220.31	264.72
20	476373	Panel, Control Side Door, ETI 250	303.27	364.41
21	475611	Latch Assembly	108.45	130.31
22	476375	Condensate Neutralizer Cartridge (KIT)	252.73	303.68
23	476376	Inlet Plumbing Assembly (KIT)	678.08	814.78
24	476377	Outlet Plumbing Assembly (KIT)	678.08	814.78
25	476378	Exhaust Assembly (KIT)	486.39	584.45
26	42001-0056S	Terminal Board	84.00	100.93
27	32850-0099	Fireman's Switch Fuse (1.25 AMPS)	11.74	14.11
28	42001-0053S	Thermistor, Water Sensor	124.34	149.41

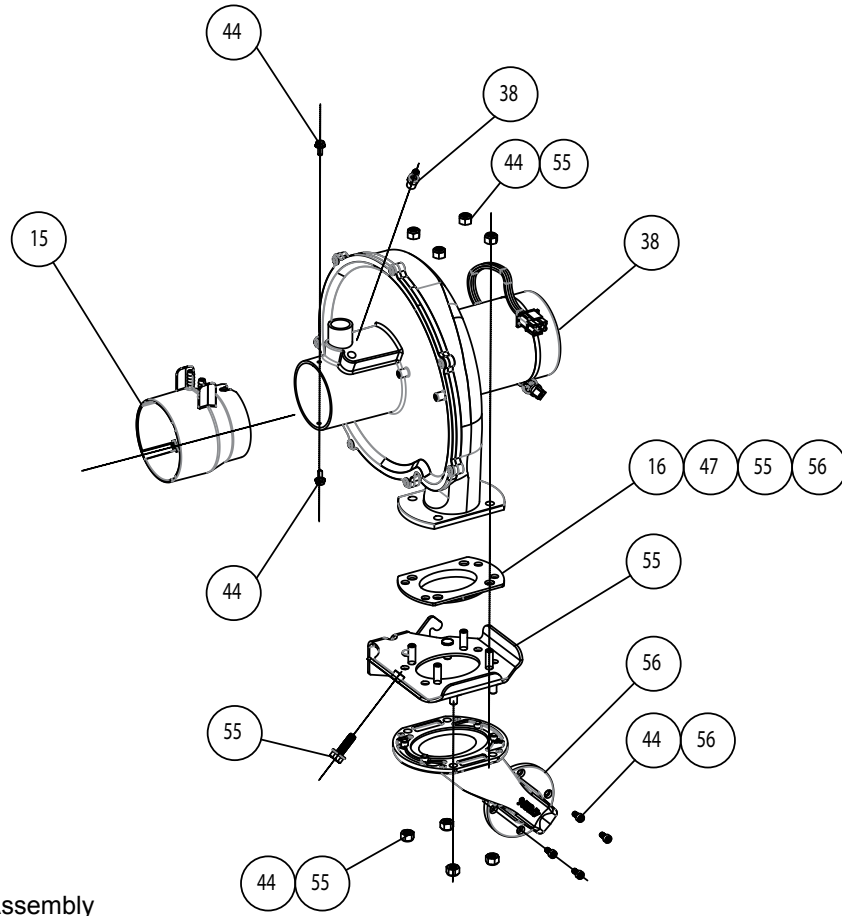
Item	Part No.	Description	US List	Can. List
29	42001-0060S	Water Pressure Switch	128.49	154.39
30	42001-0107S	Dual Voltage Transformer	106.18	127.59
31	475618	Pressure Relief Valve	216.97	260.71
32	475619	Control Cover	43.37	52.11
33	475620	Vent Cap Exhaust	17.30	20.79
34	476380	Water Bypass Assy (KIT)	56.07	67.37
35	475622	Vent Socket	130.15	156.39
36	476382	TitanTough Heat Exchanger	6896.22	8286.50
37	476383	Burner (KIT)	CALL	CALL
38	476000	Blower	390.53	469.26
39	476409	Gas Valve	682.60	820.21
40	38404-4097S	3/4" Union	55.99	67.28
41	42001-0063S	High Limit Switch	97.35	116.98
42	U178-920P	Drain plug	CALL	CALL
43	476381	Water Manifold Assembly (KIT)	559.87	672.74
44	476420	Manifold-Enclosure Fasteners	CALL	CALL
45	476368	Hold Down Bracket (KIT) (not shown)	CALL	CALL
46*	476370	Propane Conversion Orifices (KIT)	70.38	84.57
47	476421	Blower Gasket	28.33	34.04
48	476385	Ignition Control Module	384.96	462.57
49	462023	Flame Sensor	CALL	CALL
50	476386	Burner Assembly (KIT)	CALL	CALL
51	476389	Control Housing	142.77	171.55
52	461103	Inlet Brass Fitting	130.81	157.18
53	461104	Outlet Brass Fitting	130.81	157.18
54	476106	Heat Exchanger Union Adapter (KIT)	390.53	469.26
55	476400	Bracket, Air Manifold	CALL	CALL
56	476401	Air Manifold	CALL	CALL
57*	462057	High Altitude Conversion Kit	70.38	84.57
	462065	Accessories and Documents Bundle	CALL	CALL

Product on page 102–103.

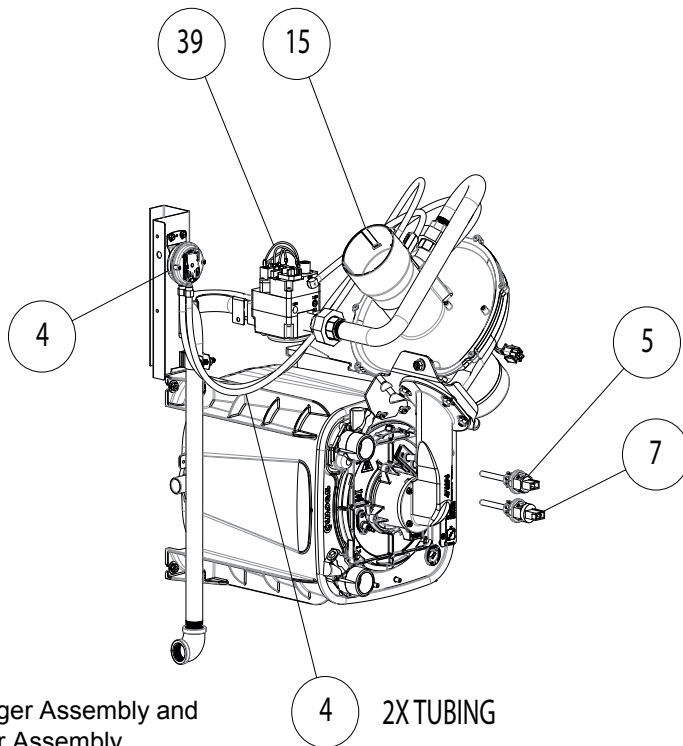
(* Refer to the installation and user guides of the ETi 250 High Altitude Installation Kit and/or ETi 250 Propane Conversion Kit to determine each kit's suitability for your specific installation.

ETi® 250 (CONT'D)

HIGH EFFICIENCY POOL AND SPA HEATER REPLACEMENT PARTS



Blower Assembly

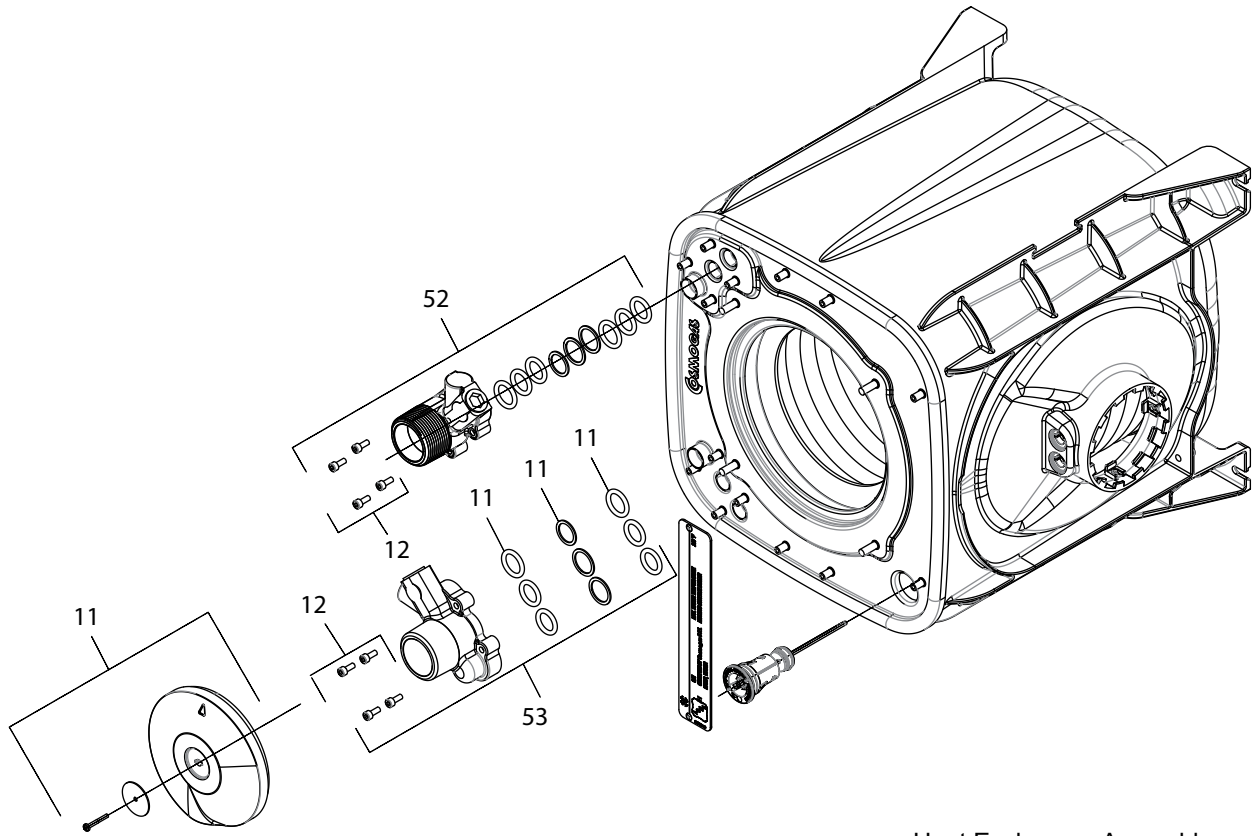


Heat Exchanger Assembly and Blower Assembly

CALIFORNIA PROPOSITION 65 WARNING
 ⚠️ **WARNING:** Cancer and Reproductive Harm.
 ⚠️ **AVERTISSEMENT:** Peut Causer le Cancer et des Dommages au Système Reproducteur.
 ⚠️ **ADVERTENCIA:** Cáncer y Daño Reproductivo.
www.p65warnings.ca.gov P652017-1

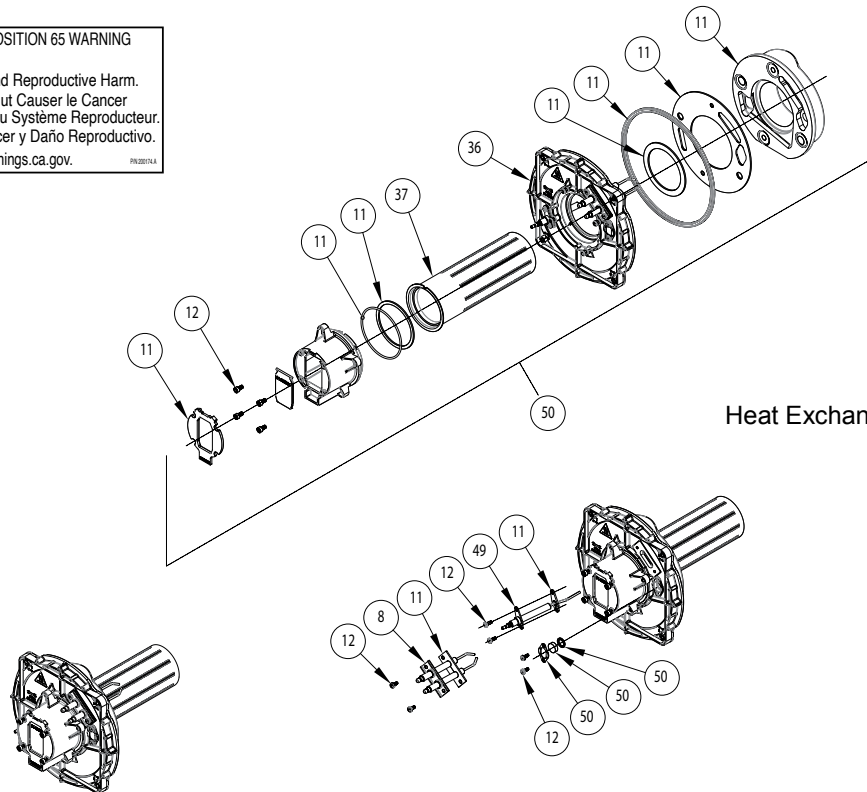
ETi® 250 (CONT'D)

HIGH EFFICIENCY POOL AND SPA HEATER REPLACEMENT PARTS



Heat Exchanger Assembly

CALIFORNIA PROPOSITION 65 WARNING
 ⚠️ **WARNING:** Cancer and Reproductive Harm.
 ⚠️ **AVERTISSEMENT:** Peut Causer le Cancer et des Dommages au Système Reproducteur.
 ⚠️ **ADVERTENCIA:** Cáncer y Daño Reproductivo.
 www.p65warnings.ca.gov. P182071-1

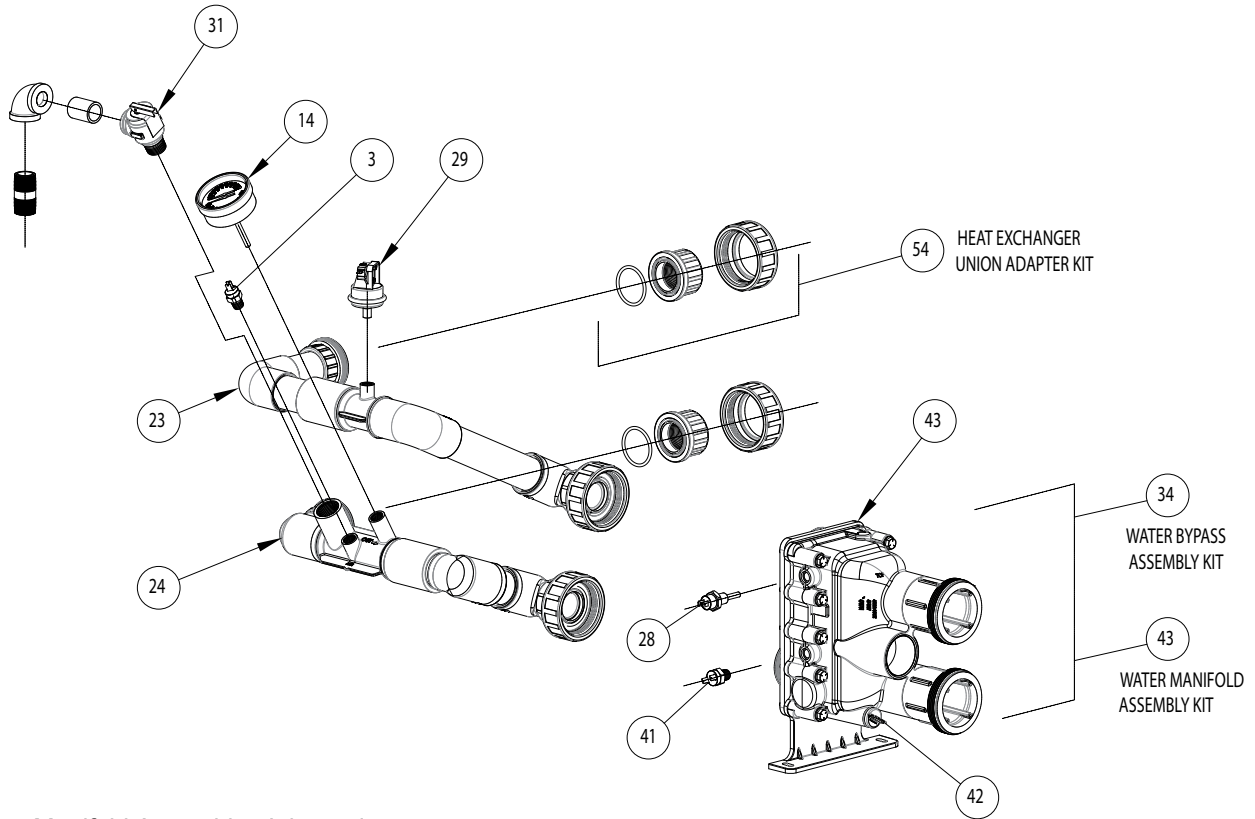


Heat Exchanger Assembly

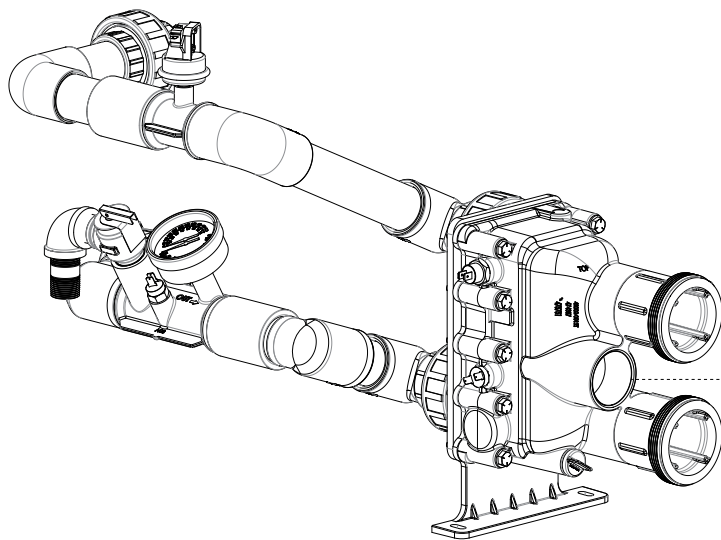
Product on page 102–103.

ETi® 250 (CONT'D)

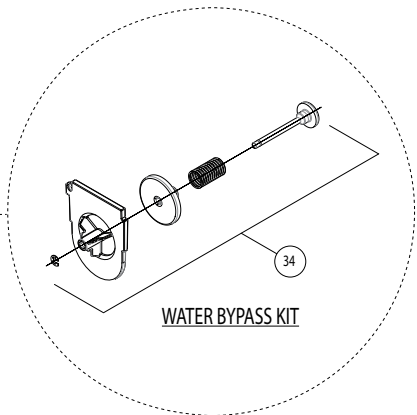
HIGH EFFICIENCY POOL AND SPA HEATER REPLACEMENT PARTS



Manifold Assembly - Inlet and Outlet Plumbing Assembly



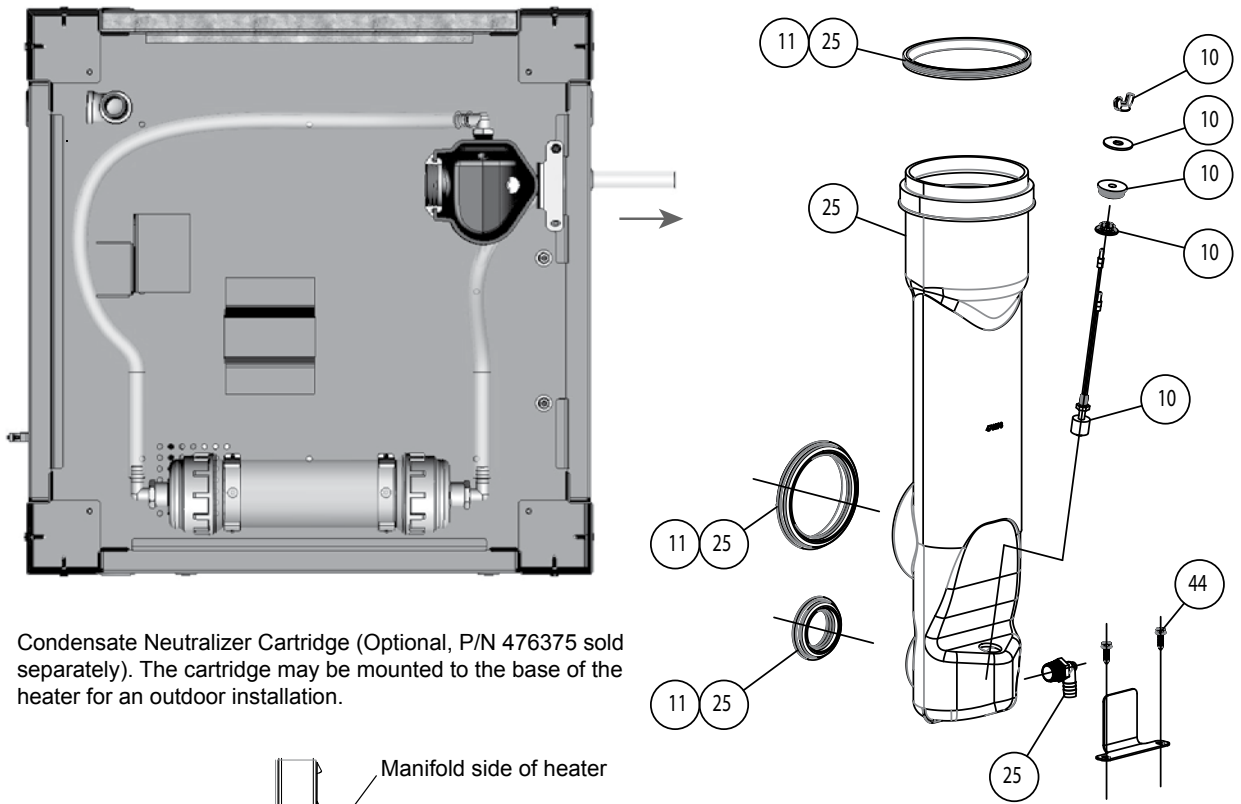
CALIFORNIA PROPOSITION 65 WARNING
 ⚠️ WARNING: Cancer and Reproductive Harm.
 ⚠️ AVERTISSEMENT: Peut Causer le Cancer et des Dommages au Système Reproducteur.
 ⚠️ ADVERTENCIA: Cáncer y Daño Reproductivo.
www.p65warnings.ca.gov P812017-1.1



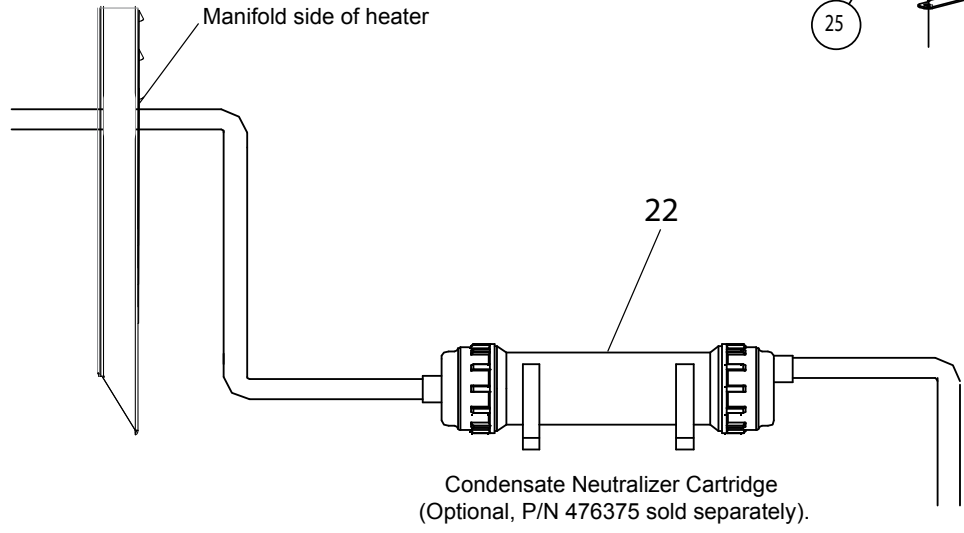
Manifold Assembly

ETi® 250 (CONT'D)

HIGH EFFICIENCY POOL AND SPA HEATER REPLACEMENT PARTS



Condensate Neutralizer Cartridge (Optional, P/N 476375 sold separately). The cartridge may be mounted to the base of the heater for an outdoor installation.



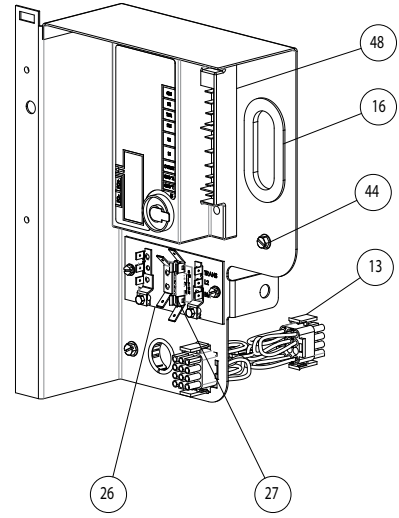
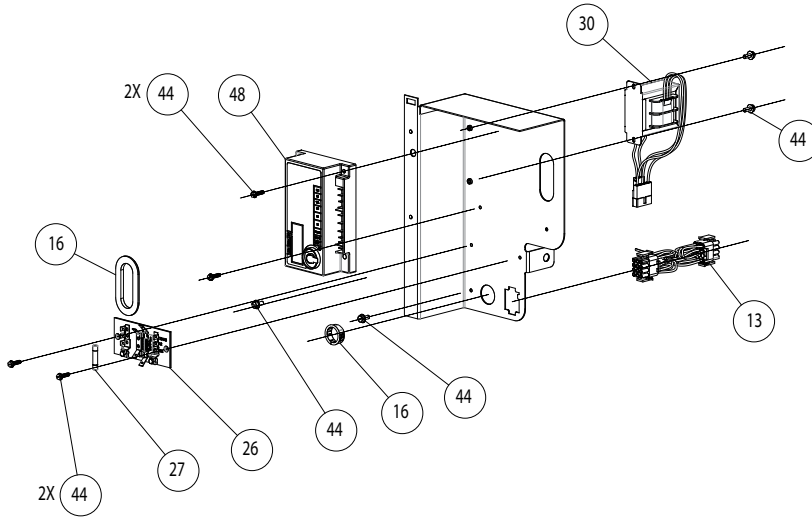
Condensate Neutralizer Cartridge (Optional, P/N 476375 sold separately).

Condensate Neutralizer Cartridge Assembly and Exhaust Assembly

CALIFORNIA PROPOSITION 65 WARNING
 ⚠️ **WARNING:** Cancer and Reproductive Harm.
 ⚠️ **AVERTISSEMENT:** Peut Causer le Cancer et des Dommages au Système Reproducteur.
 ⚠️ **ADVERTENCIA:** Cáncer y Daño Reproductivo.
www.p65warnings.ca.gov

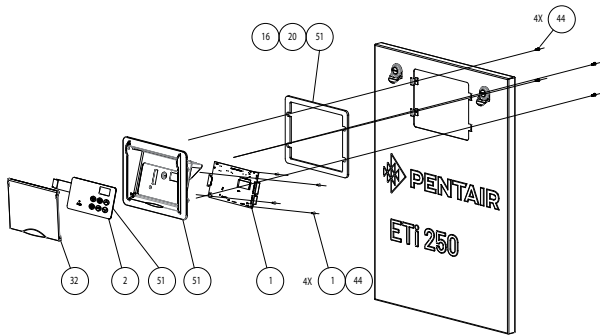
ETi® 250 (CONT'D)

HIGH EFFICIENCY POOL AND SPA HEATER REPLACEMENT PARTS

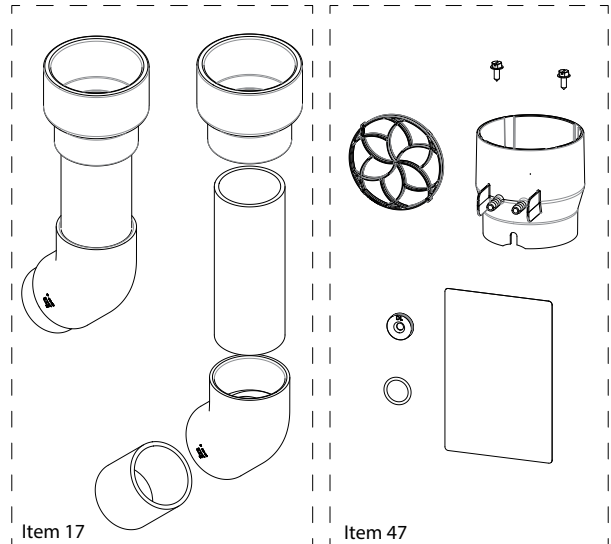


Electrical Panel

CALIFORNIA PROPOSITION 65 WARNING
 ⚠️ WARNING: Cancer and Reproductive Harm.
 ⚠️ AVERTISSEMENT: Peut Causer le Cancer et des Dommages au Système Reproducteur.
 ⚠️ ADVERTENCIA: Cáncer y Daño Reproductivo.
www.p65warnings.ca.gov PHS2017.1.1



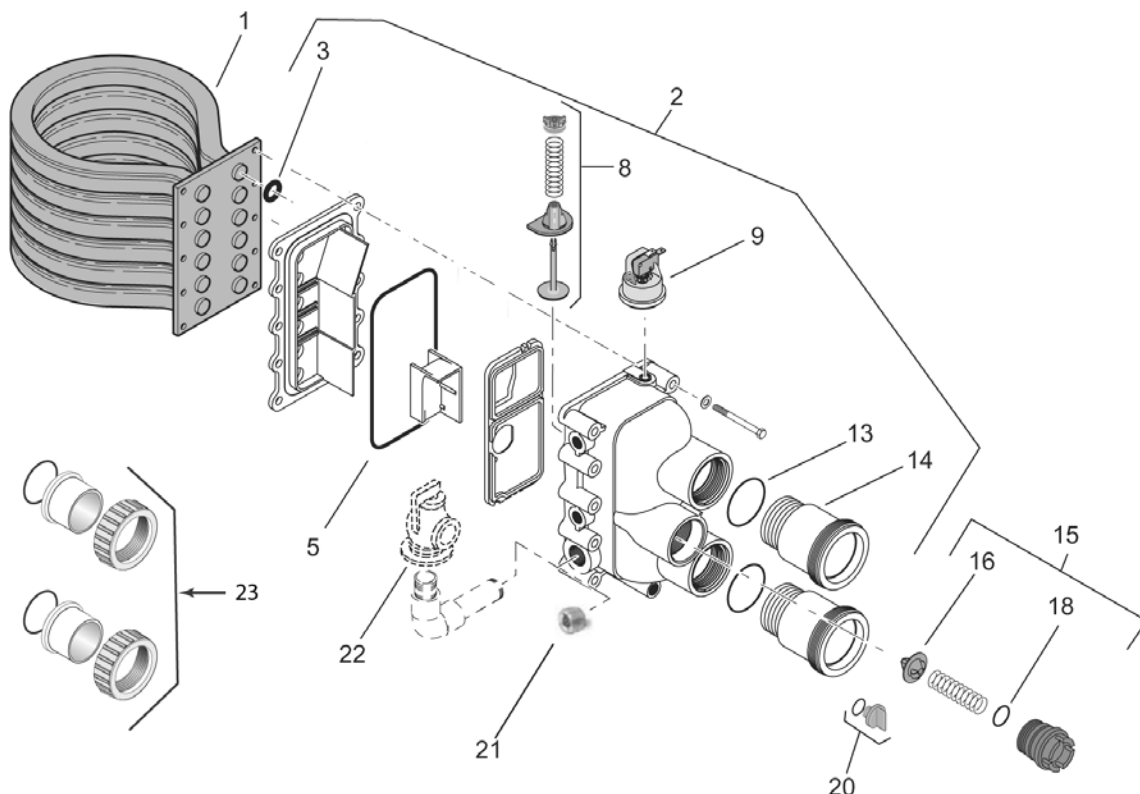
Control Panel Circuit Board Assembly and Side Panel



Intake Kit (#17) & Blower Gasket (#47)

MASTERTEMP® HEATER

WATER SYSTEM REPLACEMENT PARTS



Item	Part No.	Description	US List	Can. List
WATER SYSTEM				
1	474058	Tube Sheet Coil Assembly Kit (Includes Item No. 3) Models 175NA, 175LP, 200NA, 200LP ¹	1415.98	1701.44
1	474062	Tube Sheet Coil Assembly Kit (Includes Item No. 3) Model 200HDNA, 200HD-LP	2744.62	3297.94
1	474059	Tube Sheet Coil Assembly Kit (Includes Item No. 3) Models 250NA, 250LP ¹	1742.77	2094.11
1	474060	Tube Sheet Coil Assembly Kit (Includes Item No. 3) Models 300NA, 300LP ¹	1960.61	2355.87
1	474061	Tube Sheet Coil Assembly Kit (Includes Item No. 3) Models 400NA, 400LP ¹	2341.80	2813.91
1	474065	Tube Sheet Coil Assembly Kit (Includes Item No. 3) Models 400HDNA, 400HD-LP ¹	3539.95	4253.60
1	474063	Tube Sheet Coil Assembly Kit - HD Series - (Includes Item No. 3) Models 250HDNA, 250HD-LP ¹	2886.38	3468.27

¹ For Heaters Manufactured after 1/12/09 (New Tub Design).

Note: Kits include: O-Rings, Insulation, Igniter and Blower Gaskets.

CALIFORNIA PROPOSITION 65 WARNING

⚠️ **WARNING:** Cancer and Reproductive Harm.
 ⚠️ **AVERTISSEMENT:** Peut Causer le Cancer et des Dommages au Système Reproducteur.
 ⚠️ **ADVERTENCIA:** Cáncer y Daño Reproductivo.

www.p65warnings.ca.gov. P1820174

MASTERTEMP® HEATER (CONT'D)

WATER SYSTEM REPLACEMENT PARTS

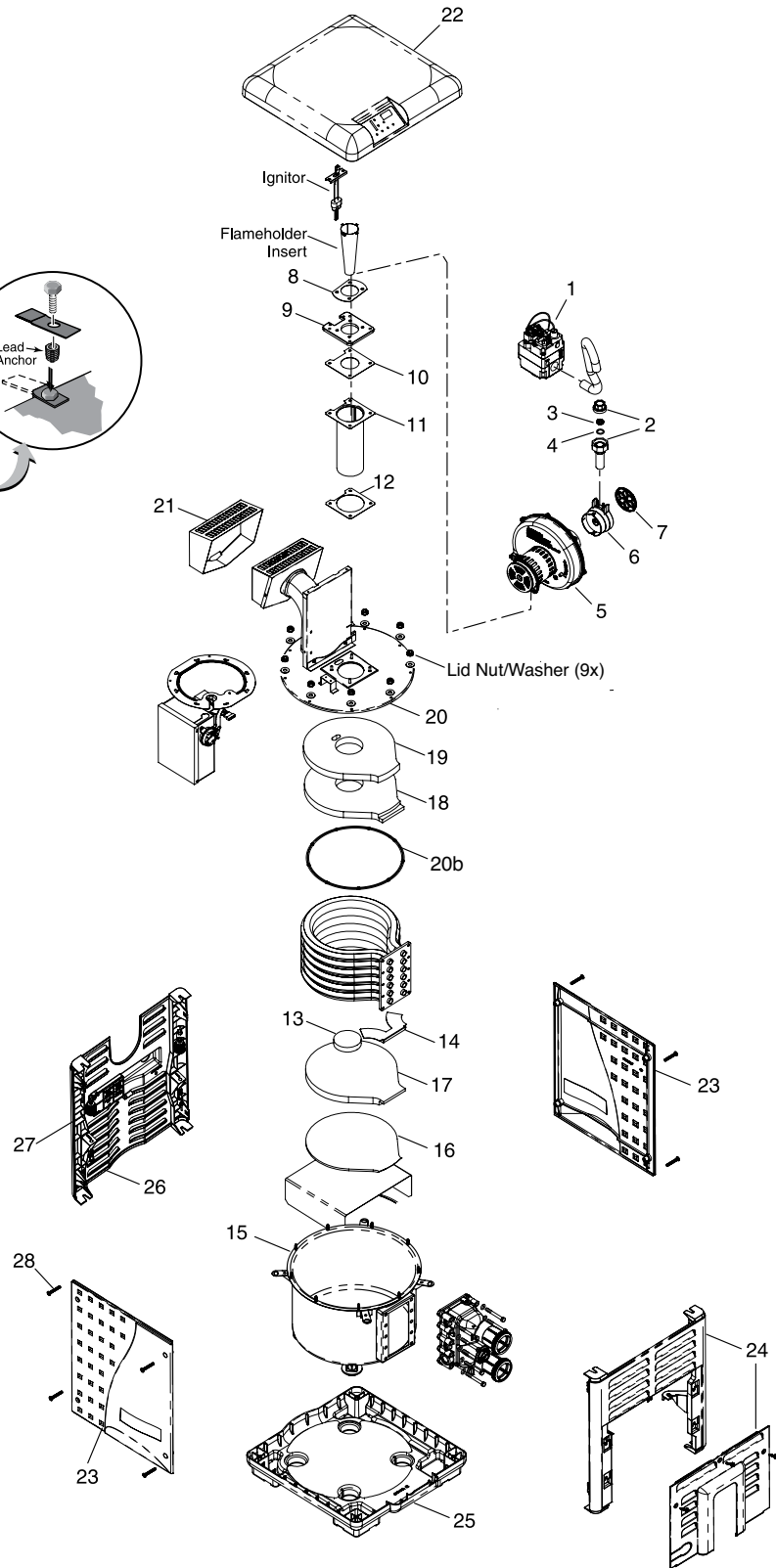
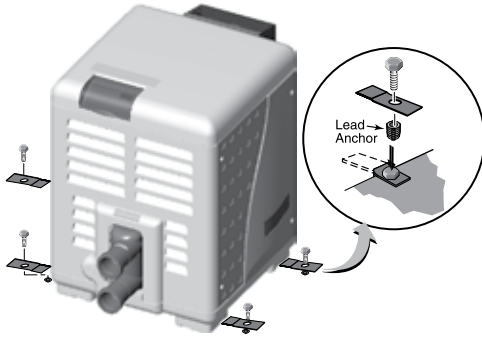
Item	Part No.	Description	US List	Can List
WATER SYSTEM				
2	77707-0014	Manifold Kit (Includes Item Nos. 3–14, 21, and Item Nos. 5–7 in “Electrical System” Models 175NA, 175LP, 200NA, 200LP)	1000.53	1202.24
2	460748	Manifold Kit (Includes Item Nos. 3–14, 21, and Item Nos. 5–7 in “Electrical System” Models 250NA, 250LP)	930.70	1118.33
2	77707-0015	Manifold Kit (Includes Item Nos. 3–14, 21, and Item Nos. 5–7 in “Electrical System” Models 300NA, 300LP)	1000.53	1202.24
2	77707-0016	Manifold Kit (Includes Item Nos. 3–14, 21, and Item Nos. 5–7 in “Electrical System” Models 400NA, 400LP)	1000.53	1202.24
2	474200	Basic Manifold Kit (Includes Item Nos. 3, 5, 10–14)	319.23	383.59
3	77707-0117	Coil/Tubesheet Sealing O-Ring Kit - Models 175NA, 175LP, 200NA, 200LP (6)	84.00	100.93
3	460749	Coil/Tubesheet Sealing O-Ring Kit - Models 250NA, 250LP (8)	84.00	100.93
3	77707-0118	Coil/Tubesheet Sealing O-Ring Kit - Models 300NA, 300LP (10)	84.00	100.93
3	77707-0119	Coil/Tubesheet Sealing O-Ring Kit - Models 400NA, 400LP (12)	84.00	100.93
8	77707-0001	Manifold Bypass Valve Kit	89.02	106.97
9	42001-0060S	Water Pressure Switch	128.49	154.39
9	473716Z	Water Pressure Switch (Old Header Design ASME) ⁴	CALL	CALL
13	U9-226Z	O-Ring	4.91	5.90
14	77707-0017	Connector Tube Kit (Includes 1 Connector Tube and 1 O-Ring)	85.38	102.59
15	77707-0010	Thermal Regulator Kit (Incl. Item Nos. 16, 17, 18, 19 and Spring Clip)	162.62	195.40
16	38000-0007S	Thermal Regulator (Includes Spring Clip)	112.03	134.62
18	35505-1313	Thermal Regulator Cap O-Ring	7.17	8.62
20	U178-920PZ	Drain Plug	7.80	9.37
21	U78-60ZPS	Zinc Plug 428-60 PS	9.89	11.88
22	473715Z	Pressure Relief Valve	245.51	295.00
23	PKG 188Z	2 in. Union Adapter Package (Includes 2)	46.96	56.43
	77707-0120	O-Ring Kit (Incl. Item Nos. 3, 5)	71.57	86.00
	461102	Pro Service Package - Water Parts (Includes items in a reusable hard case, 8, 9, 15, not shown, Thermistor (2), High Limit Switch (2), AGS Switch (2))	612.40	735.86
	462051	Accessories and Documents Bundle	CALL	CALL

ASME Heater Manufacture Date	Part No.	Description	US List	Can. List
ASME KITS				
11/16/13 to Present (New 9-Bolt Tub Design) (Includes Item No.s 13-19, 20b, Lid, Nut/Washer [9X] and Silicone Tube)	475669	Heat Exchanger Kit - 200 ASME	4085.89	4909.61
	474955	Heat Exchanger Kit - 250 ASME	4356.87	5235.21
	474954	Heat Exchanger Kit - 250 ASME HD	4672.61	5614.61
	474956	Heat Exchanger Kit - 400 ASME	4846.97	5824.12
	474953	Heat Exchanger Kit - 400 ASME HD	4913.59	5904.17
Prior to 10/2012 (Old Header Design)	460923	ASME Bypass Valve Kit (Old Header Design)	501.55	602.66
	461007	ASME Bypass Valve Tool Kit (Old Header Design)	298.31	358.45
	460924	Thermal Regulator Kit (includes Spring Clip, ASME, Old Header Design)	245.10	294.51
10/2012 to Present (New Header Design)	472648Z	Bypass Access Plug (ASME)	576.94	693.25
	77707-0001	Manifold Bypass Valve Kit ASME	89.02	106.97
	460925	ASME Pressure Relief Valve Kit	280.09	336.56

MASTERTEMP® HEATER (CONT'D)

BURNER SYSTEM REPLACEMENT PARTS

For Heater mounting bolts and clamps, purchase separately Bolt Down Bracket Kit, Part No. 460738.



CALIFORNIA PROPOSITION 65 WARNING
 ⚠️ **WARNING:** Cancer and Reproductive Harm.
 ⚠️ **AVERTISSEMENT:** Peut Causer le Cancer et des Dommages au Système Reproducteur.
 ⚠️ **ADVERTENCIA:** Cáncer y Daño Reproductivo.
www.p65warnings.ca.gov P98-2017-14

MASTERTEMP® HEATER (CONT'D)

BURNER SYSTEM REPLACEMENT PARTS

Item	Part No.	Description	US List	Can. List	Qty.
BURNER SYSTEM					
1	42001-0051S	Combination Gas Control Valve Kit	682.60	820.21	1
2	38404-4097S	3/4 in. Union	55.99	67.28	2
5	77707-0250	Air Blower Kit - Natural Gas Units (Models 175NA)	1290.62	1550.81	1
5	77707-0251	Air Blower Kit - Natural Gas Units (Models 200NA)	1290.65	1550.85	1
5	460743	Air Blower Kit - Natural Gas Units (Models 250NA)	1200.65	1442.70	1
5	460757	Air Blower Kit - Natural Gas Units (Models 300NA)	1200.62	1442.66	1
5	77707-0253	Air Blower Kit - Natural Gas Units (Models 400NA)	1290.65	1550.85	1
5	77707-0254	Air Blower Kit - Propane Units (Models 175LP, 200LP)	1290.65	1550.85	1
5	460744	Air Blower Kit - Propane Units (Models 250LP)	1200.62	1442.66	1
5	460758	Air Blower Kit - Propane Units (Models 300LP)	1200.62	1442.66	1
5	77707-0256	Air Blower Kit - Propane Units (Models 400LP)	1290.65	1550.85	1
6	See Item #7	Item #6 included in Item #7	CALL	CALL	
7	460798	Air Orifice Kit - Model 175 (Includes Item Nos. 6 and 7)	67.20	80.75	1
7	77707-0111	Air Orifice Kit - Model 200 (Includes Item Nos. 6 and 7)	102.79	123.51	1
7	460745	Air Orifice Kit - Model 250 (Includes Item Nos. 6 and 7)	95.57	114.84	1
7	460759	Air Orifice Kit - Model 300 (Includes Item Nos. 6 and 7)	95.57	114.84	1
7	77707-0113	Air Orifice Kit - Model 400 (Includes Item Nos. 6 and 7)	102.79	123.51	1
15	474957	One Piece Metal Chamber/Combustion Chamber Assembly ¹	662.37	795.90	1
20	474958	One Piece Metal Elbow/Combustion Chamber Cover Assembly ¹	754.10	906.13	1
20b	474952	Tub O-Ring Kit ¹	70.94	85.24	1
21	42002-0005S	Metal Vent Cover	205.45	246.87	1
22	42002-0034Z	Heater Top	548.07	658.56	1
23	42002-0039Z	Side Panel (Service Panel) with 4 clips and 4 screws	536.07	644.14	1
24	42002-0033Z	Side Panel (Manifold)	536.05	644.12	1
25	42002-0031Z	Heater Bottom	252.05	302.86	1
26	42002-0032Z	Side Panel (Flue Stack)	405.14	486.82	1
27	42002-0041Z	J Box Cover	28.00	33.64	1
28	474292	11 ea screws, 11 ea clips and 8 wing-nuts	34.99	42.04	
NOT SHOWN					
	461002	Gas Orifice Kit - NG, Model 175 (Incl. Item Nos. 3 and 4) *	85.45	102.68	1
	77707-0431	Gas Orifice Kit - NG, Model 200 (Incl. Item Nos. 3 and 4) *	85.45	102.68	1
	460739	Gas Orifice Kit - NG, Model 250 (Incl. Item Nos. 3 and 4) *	79.49	95.52	1
	460753	Gas Orifice Kit - NG, Model 300 (Incl. Item Nos. 3 and 4)	79.49	95.52	1
	77707-0411	Gas Orifice Kit - NG, Model 400 (Incl. Item Nos. 3 and 4) *	85.45	102.68	1
	460797	Gas Orifice Kit - Propane, Model 175 (Incl. Item Nos. 3 and 4) *	127.77	153.53	1
	77707-0461	Gas Orifice Kit - Propane, Model 200 (Incl. Item Nos. 3 and 4) *	85.45	102.68	1
	460740	Gas Orifice Kit - Propane, Model 250 (Incl. Item Nos. 3 and 4) *	79.49	95.52	1
	460754	Gas Orifice Kit - Propane, Model 300 (Incl. Item Nos. 3 and 4) *	79.49	95.52	1

Item	Part No.	Description	US List	Can. List	Qty.
	77707-0441	Gas Orifice Kit - Propane, Model 400 (Incl. Item Nos. 3 and 4) *	85.45	102.68	1
	460794	NG to Propane Conversion Kit Model 175 (Incl. Item Nos. 3 and 4) *	118.18	142.01	1
	77707-1461	NG to Propane Conversion Kit Model 200 (Incl. Item Nos. 3 and 4) *	88.35	106.16	1
	460741	NG to Propane Conversion Kit Model 250 (Incl. Item Nos. 3 and 4) *	82.17	98.74	1
	460755	NG to Propane Conversion Kit Model 300 (Incl. Item Nos. 3 and 4) *	82.17	98.74	1
	77707-1441	NG to Propane Conversion Kit Model 400 (Incl. Item Nos. 3 and 4) *	88.35	106.16	1
	460795	Propane to NG Conversion Kit Model 175 (Incl. Key Nos. 3 and 4) *	118.18	142.01	1
	77707-1431	Propane to NG Conversion Kit Model 200 (Incl. Key Nos. 3 and 4) *	88.35	106.16	1
	460742	Propane to NG Conversion Kit Model 250 (Incl. Key Nos. 3 and 4) *	82.17	98.74	1
	460756	Propane to NG Conversion Kit Model 300 (Incl. Key Nos. 3 and 4) *	82.17	98.74	1
	77707-1411	Propane to NG Conversion Kit Model 400 (Incl. Key Nos. 3 and 4) *	88.35	106.16	1
	77707-0011	Blower/Adapter Plate Gasket Kit (Includes Item Nos. 8, 9, 10, 12)	101.23	121.64	1
	77707-0202	Flameholder Kit - Model 175, Model 200 (Includes Item Nos. 10, 11, 12 & 13)	240.55	289.04	1
	460746	Flameholder Kit - Model 250 (Includes Item Nos. 10, 11, 12 & 13 and Flameholder insert)	223.75	268.86	1
	77707-0203	Flameholder Kit - Model 300 (Includes Item Nos. 10, 11, 12, 13 & Flameholder Insert)	270.61	325.16	1
	77707-0204	Flameholder Kit - Model 400 (Includes Item Nos. 10, 11, 12, 13 & Flameholder Insert)	315.70	379.35	1
	77707-0008	Insulation Kit (Includes Item Nos. 13, 14, 16, 17, 18, 19)	245.10	294.51	1
	42001-0074S	Lower Enclosure Insulation	86.08	103.43	1
	42001-0214S	Metal Vent Cover Assembly	CALL	CALL	1
	461063	Kit Gas Conversion NA to LP - MT125	94.58	113.65	1
	461100	Pro Service Package - Master Commonly replaced items in a reusable case	1760.66	2115.61	
	475265	Rodent Resistant Air Orifice Protection Cap	113.08	135.88	

* Not included with heater. Order separately.

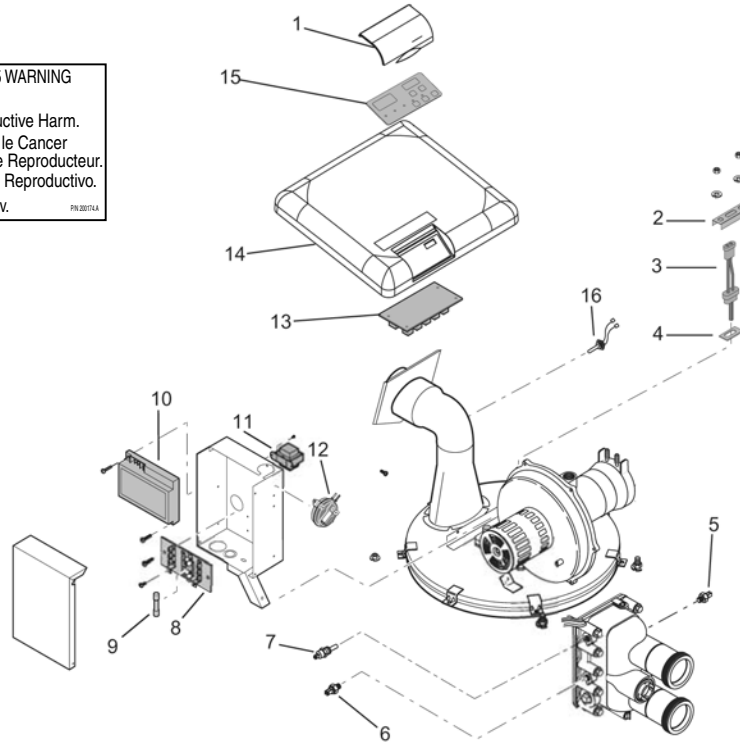
¹ For Heaters Manufactured After 11/16/13 (New 9-bolt lid tub design).

Note: Kits include Clamp Assembly, O-Ring, and Silicone Tube.

MASTERTEMP® HEATER (CONT'D)

ELECTRICAL SYSTEM REPLACEMENT PARTS

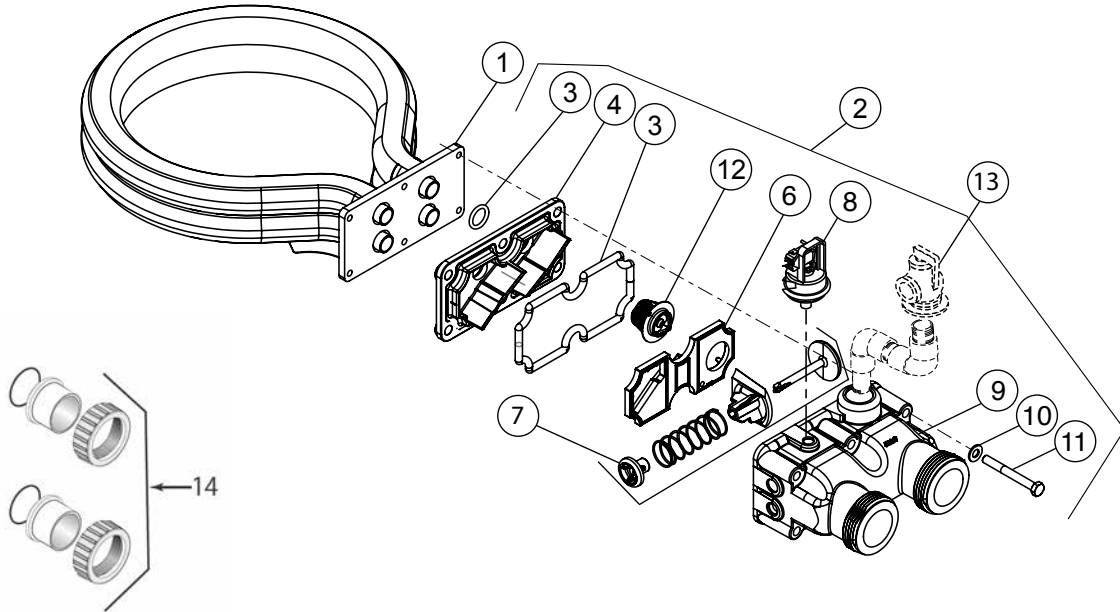
CALIFORNIA PROPOSITION 65 WARNING
 ⚠️ **WARNING:** Cancer and Reproductive Harm.
 ⚠️ **AVERTISSEMENT:** Peut Causer le Cancer et des Dommages au Système Reproducteur.
 ⚠️ **ADVERTENCIA:** Cáncer y Daño Reproductivo.
www.p65warnings.ca.gov PH 201714



Item	Part No.	Description	US List	Can. List
ELECTRICAL SYSTEM				
1	42002-0035Z	Heater Display Cover	84.00	100.93
2	42001-0030S	Igniter Bracket	84.00	100.93
3	77707-0054	Igniter/Igniter Gasket Kit, Incl. Item Nos. 3 and 4)	130.17	156.41
4	42001-0066S	Igniter Gasket	84.00	100.93
5	42002-0025S	Automatic Gas Shutoff Switch (AGS)	80.06	96.20
6	42001-0063S	High Limit Switch	97.35	116.98
7	42001-0053S	Thermistor	124.34	149.41
8	42001-0056S	Terminal Board	84.00	100.93
9	32850-0099	Fireman's Switch Fuse (1.25A, 1-1/4 in.)	11.74	14.11
10	476223	Ignition Control Module	522.00	627.24
11	42001-0107S	Transformer, 115/230V	106.18	127.59
12	42001-0061S	Air Flow Switch	215.29	258.69
13	461105	Control Board Kit (NA, LP Series)	988.32	1187.57
14	42002-0034Z	Heater, Top	548.07	658.56
15	472610Z	Five Button Membrane Keypad - for heaters made before 5/5/2021	215.69	259.17
15	461106	Six Button Membrane Keypad - For heaters made after 5/6/2021	215.67	259.15
16	42002-0024S	Stack Flue Sensor	187.09	224.81
NOT SHOWN				
	461107	Heater Wiring Harness -115/230V	517.98	622.40
	42001-0105S	120/240 Volt Plug Kit	84.00	100.93
	461101	Pro Service Package - Electrical System Parts (Includes items in a reusable hardcase, #3, #5 qty(2), #6 qty(2), #7 qty(2), #9 qty(3), #12, #16, not shown water pressure switch)	765.51	919.84

MASTERTEMP® 125 HEATER

WATER SYSTEM REPLACEMENT PARTS



Item	Part No.	Description	US List	Can. List
WATER SYSTEM				
1	474971	Tube Sheet Coil Assembly Kit - Includes Item #3. (NA, LP Series)	1414.76	1699.98
2	474972	Manifold Kit (Includes Item #3, #4, #5, #6, #7, #9, #10, & #11; Item #8 and #13 not included)	473.11	568.49
3	474973	Coil/Tubesheet Sealing O-Ring Kit	66.18	79.52
4	474405	Manifold Bottom Plate	CALL	CALL
6	474407	Manifold Baffle Plate	CALL	CALL
7	476198	Manifold Bypass Valve	51.05	61.34
8	42001-0060S	Water Pressure Switch	128.49	154.39
9		Manifold *		
10		5/16" Washer, S.S. *		
11		5/16 x 18 x 2-3/4" Hex Cap Screw *		
12	474989	Thermal Regulator	94.58	113.65
13	473715Z	Pressure Relief Valve (Recommended-Purchased Separately)	245.51	295.00
14	474974	Union 1-1/2" Kit	108.80	130.73

Note: Kits include: O-Rings, Insulation, Igniter and Blower Gaskets.

* Not available separately. See item #2.

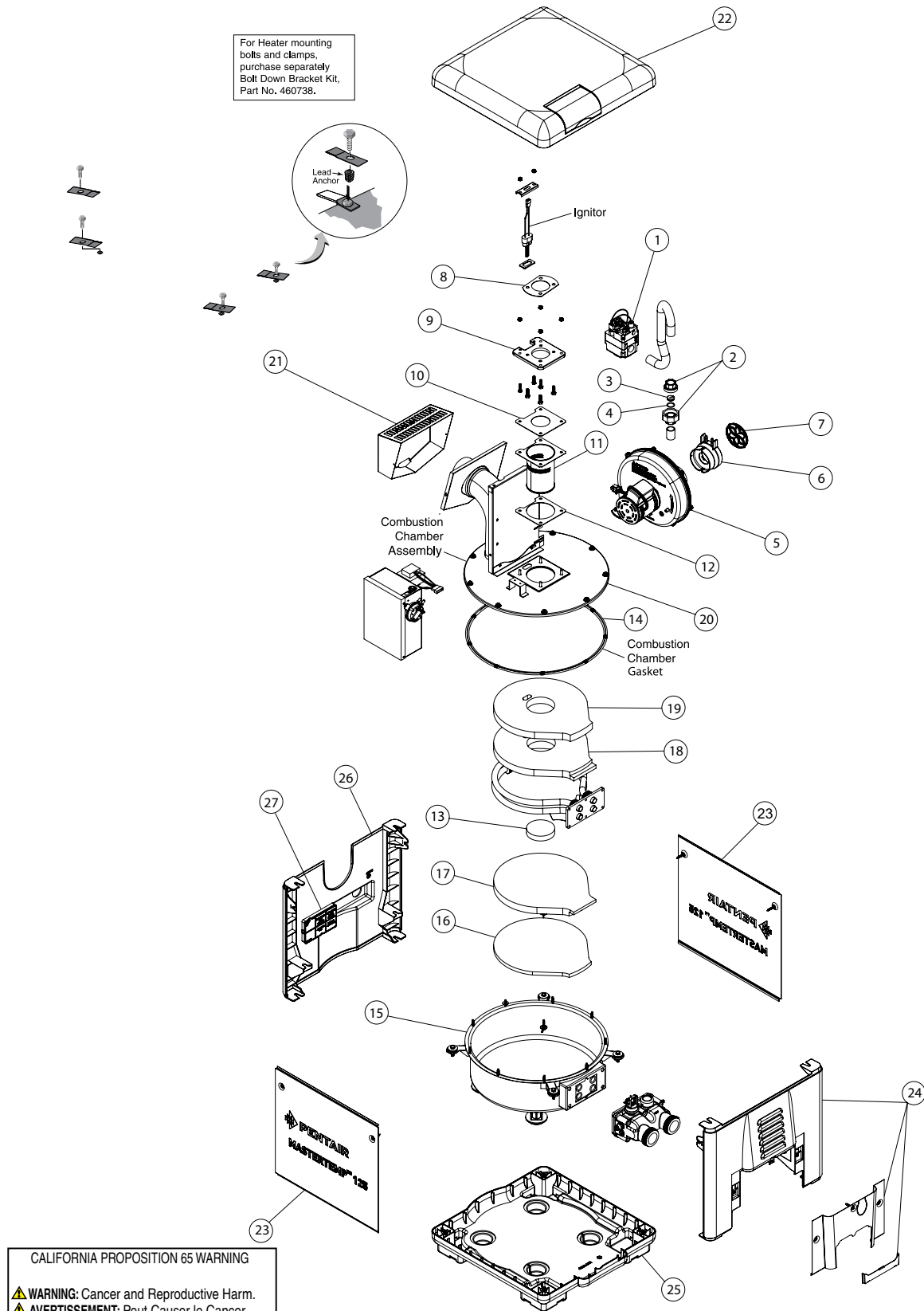
CALIFORNIA PROPOSITION 65 WARNING

⚠ **WARNING:** Cancer and Reproductive Harm.
 ⚠ **AVERTISSEMENT:** Peut Causer le Cancer et des Dommages au Système Reproducteur.
 ⚠ **ADVERTENCIA:** Cáncer y Daño Reproductivo.

www.p65warnings.ca.gov. PH20071A

MASTERTEMP® 125 HEATER (CONT'D)

BURNER SYSTEM REPLACEMENT PARTS



CALIFORNIA PROPOSITION 65 WARNING

⚠️ **WARNING:** Cancer and Reproductive Harm.
 ⚠️ **AVERTISSEMENT:** Peut Causer le Cancer et des Dommages au Système Reproducteur.
 ⚠️ **ADVERTENCIA:** Cáncer y Daño Reproductivo.
www.p65warnings.ca.gov

Product on page 106–107.

MASTERTEMP® 125 HEATER (CONT'D)

BURNER SYSTEM REPLACEMENT PARTS




Item	Part No.	Description	US List	Can. List	Qty.
BURNER SYSTEM					
1	42001-0051S	Combination Gas Control Valve Kit	682.60	820.21	1
2	38404-4097S	3/4 in. Union	55.99	67.28	2
5	474978	Air Blower Kit – Natural Gas	1182.91	1421.38	1
5	474977	Air Blower Kit - Propane	1182.91	1421.38	1
6	474979	Air Orifice Kit (Incl. Item Nos. 6, 7)	67.23	80.78	1
14	474952	Combustion Chamber Gasket Kit	70.94	85.24	1
15	474990	One Piece Metal Chamber/Combustion Chamber Assembly	615.14	739.15	1
20	474958	One Piece Metal Elbow/Combustion Chamber Cover Assembly, 9-Bolt	754.10	906.13	1
21	42002-0005S	Metal Vent Cover	205.45	246.87	1
22	42002-0034Z	Heater Top	548.07	658.56	1
23	474991	Side Panel (Service Panel)	189.22	227.37	1
24	474992	Side Panel (Manifold)	269.67	324.04	1
25	42002-0031Z	Heater Bottom	252.05	302.86	1
26	474993	Side Panel (Flue Stack)	222.32	267.14	1
27	42002-0041Z	J Box Cover	28.00	33.64	1
28	474292	11 ea clips, 11 ea screws, 8 wing nuts	34.99	42.04	1

Item	Part No.	Description	US List	Can. List	Qty.
NOT SHOWN					
	474981	Gas Orifice Kit - NG (Incl. Item Nos. 3 and 4) **	70.94	85.24	1
	474980	Gas Orifice Kit - Propane (Incl. Item Nos. 3 and 4) **	70.94	85.24	1
	461063	NG to Propane Conversion Kit (Incl. Item Nos. 3 and 4) **	94.58	113.65	1
	461062	Gas Orifice Kit - Propane to NG Conversion Kit (Incl. Item Nos. 3 and 4) **	CALL	CALL	1
	77707-0011	Blower/Adapter Plate Gasket Kit (Incl. Item Nos. 8, 9, 10, 12)	101.23	121.64	1
	474994	Flameholder Kit (Incl. Item Nos. 10, 11, 12, 13)	236.54	284.23	1
	77707-0008	Insulation Kit (Incl. Item Nos. 13, 14, 16, 17, 18, 19)	245.10	294.51	1
	474845	Direct Air Intake Duct Kit (MasterTemp 125)	421.56	506.55	1

* Not available separately.

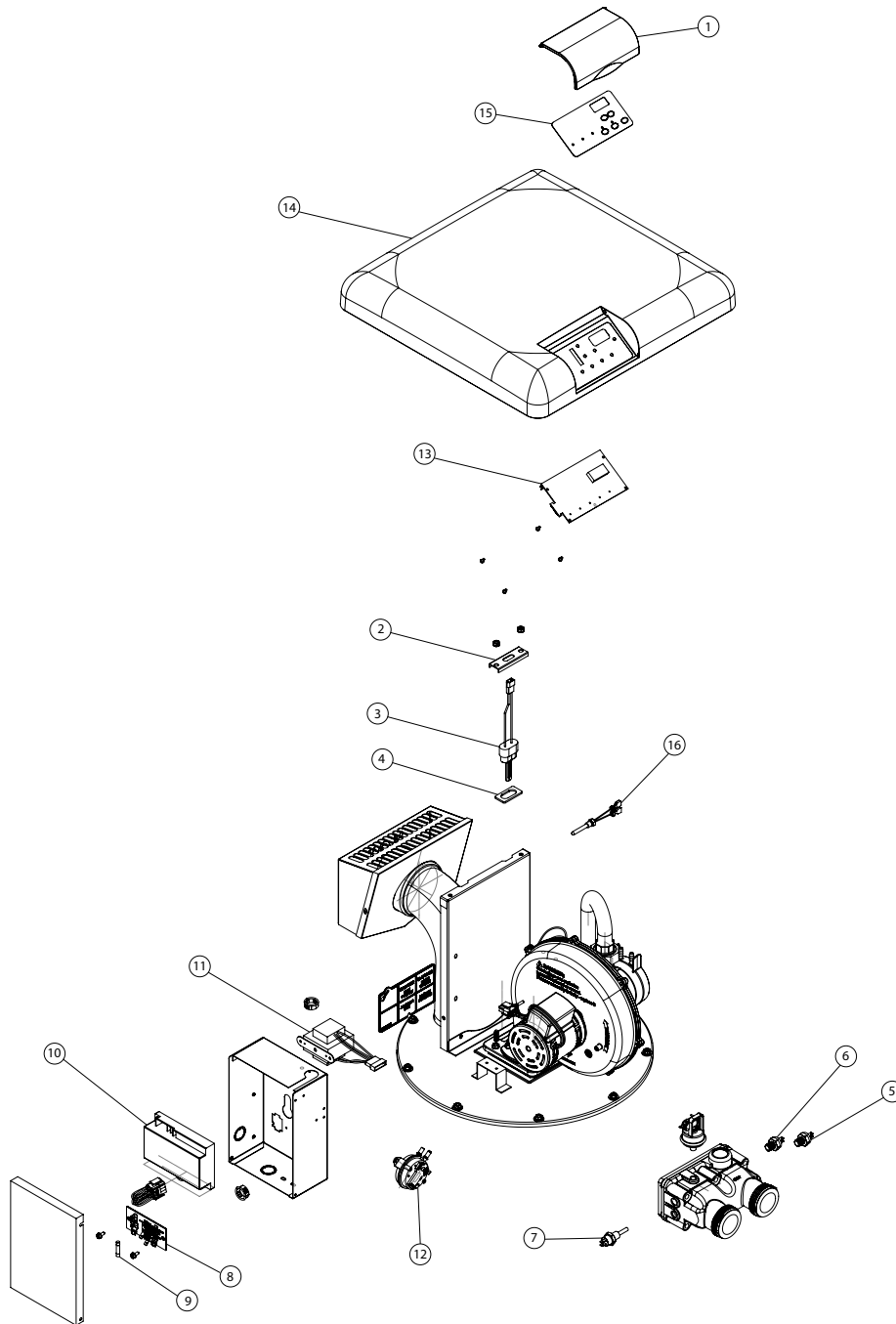
** Not included with heater. Order separately.

CALIFORNIA PROPOSITION 65 WARNING

 **WARNING:** Cancer and Reproductive Harm.
 **AVERTISSEMENT:** Peut Causer le Cancer et des Dommages au Système Reproducteur.
 **ADVERTENCIA:** Cáncer y Daño Reproductivo.
www.p65warnings.ca.gov

MASTERTEMP® 125 HEATER (CONT'D)

ELECTRICAL SYSTEM REPLACEMENT PARTS



Product on page 106–107.




CALIFORNIA PROPOSITION 65 WARNING
▲ WARNING: Cancer and Reproductive Harm.
▲ AVERTISSEMENT: Peut Causer le Cancer et des Dommages au Système Reproducteur.
▲ ADVERTENCIA: Cáncer y Daño Reproductivo.
www.p65warnings.ca.gov. P65-2017-14

MASTERTEMP® 125 HEATER (CONT'D)

ELECTRICAL SYSTEM REPLACEMENT PARTS

Item	Part No.	Description	US List	Can. List
ELECTRICAL SYSTEM				
1	42002-0035Z	Heater Display Cover	84.00	100.93
2	42001-0030S	Igniter Bracket	84.00	100.93
3	77707-0054	Igniter/Igniter Gasket Kit, Incl. Item Nos. 3 and 4)	130.17	156.41
4	42001-0066S	Igniter Gasket	84.00	100.93
5	42002-0025S	Automatic Gas Shutoff Switch (AGS)	80.06	96.20
6	42001-0063S	High Limit Switch	97.35	116.98
7	42001-0053S	Thermistor	124.34	149.41
8	42001-0056S	Terminal Board	84.00	100.93
9	32850-0099	Fireman's Switch Fuse (1.25A, 1-1/4 in.)	11.74	14.11
10	476223	Ignition Control Module	522.00	627.24
11	42001-0107S	Transformer, 115/230V	106.18	127.59
12	42001-0061S	Air Flow Switch	215.29	258.69
13	461105	Control Board Kit (NA, LP Series)	988.32	1187.57
14	42002-0034Z	Heater, Top	548.07	658.56
15	472610Z	Five Button Membrane Keypad - for heaters made before 5/5/2021	215.69	259.17
15	461106	Six Button Membrane Keypad - For heaters made after 5/6/2021	215.67	259.15
16	42002-0024S	Stack Flue Sensor	187.09	224.81
NOT SHOWN				
	461107	Heater Wiring Harness -115/230V	517.98	622.40
	42001-0105S	120/240 Volt Plug Kit	84.00	100.93

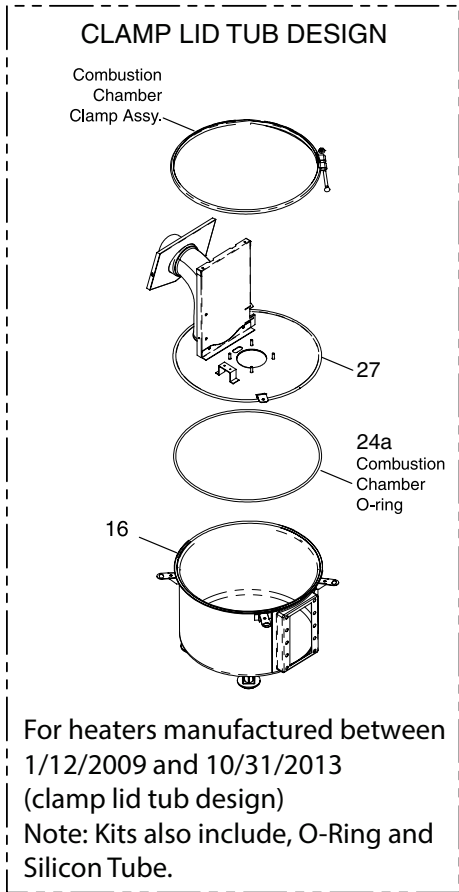
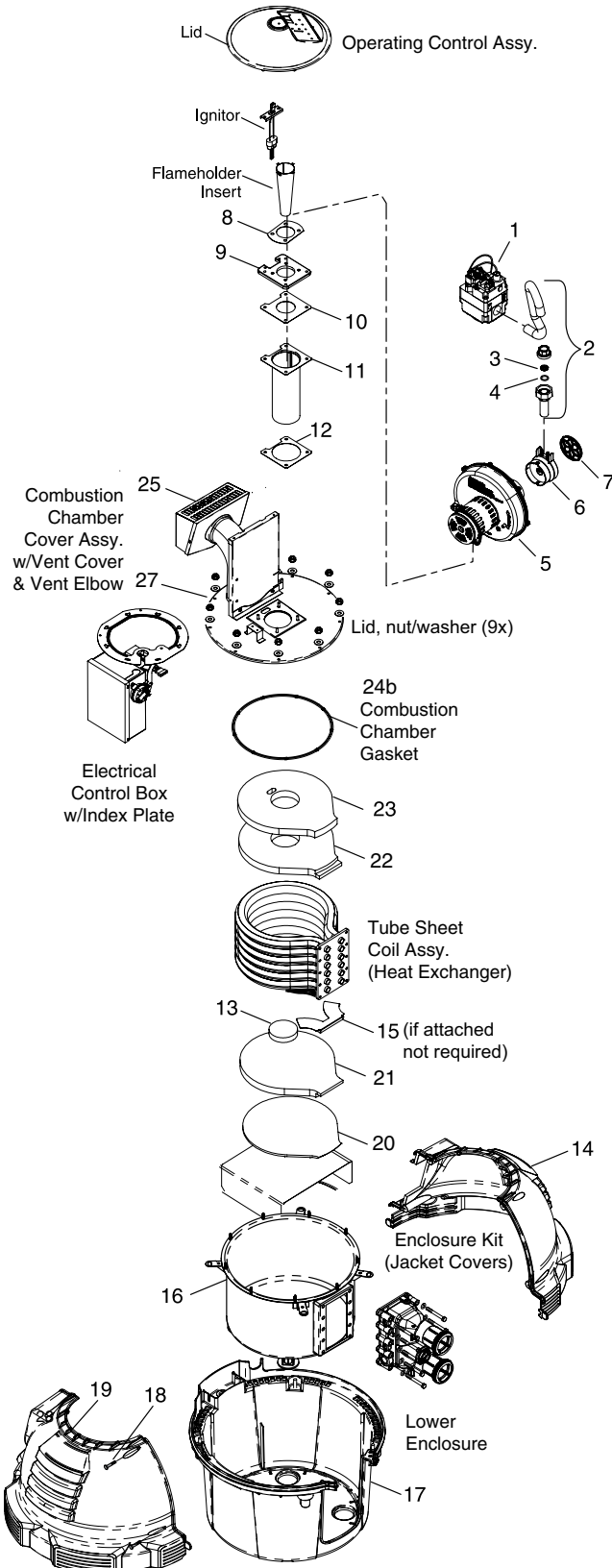
CALIFORNIA PROPOSITION 65 WARNING

 **WARNING:** Cancer and Reproductive Harm.
 **AVERTISSEMENT:** Peut Causer le Cancer et des Dommages au Système Reproducteur.
 **ADVERTENCIA:** Cáncer y Daño Reproductivo.
www.p65warnings.ca.gov

Product on page 106–107.

MAX-E-THERM® HEATER

BURNER SYSTEM REPLACEMENT PARTS



CALIFORNIA PROPOSITION 65 WARNING

⚠️ **WARNING:** Cancer and Reproductive Harm.

⚠️ **AVERTISSEMENT:** Peut Causer le Cancer et des Dommages au Système Reproducteur.

⚠️ **ADVERTENCIA:** Cáncer y Daño Reproductivo.

www.p65warnings.ca.gov. PK28171A

Product on page 108–109.

MAX-E-THERM® HEATER (CONT'D)

BURNER SYSTEM REPLACEMENT PARTS



Item	Part No.	Description	US List	Can. List
MAX-E-THERM BURNER SYSTEM				
1	42001-0051S	Combination Gas Control Valve Kit	682.60	820.21
2	38404-4097S	3/4 in. Union	55.99	67.28
5	77707-0251	Air Blower Kit, Natural - 200NA Model (Single Volt Blower Adapter Included)	1290.65	1550.85
5	77707-0252	Air Blower Kit, Natural - 333NA Model (Single Volt Blower Adapter Included)	1290.65	1550.85
5	77707-0253	Air Blower Kit, Natural - 400NA Model (Single Volt Blower Adapter Included)	1290.65	1550.85
5	77707-0254	Air Blower Kit, Propane - 200LP Model (Single Volt Blower Adapter Included)	1290.65	1550.85
5	77707-0255	Air Blower Kit, Propane - 333LP Model (Single Volt Blower Adapter Included)	1290.65	1550.85
5	77707-0256	Air Blower Kit, Propane - 400LP Model (Single Volt Blower Adapter Included)	1290.65	1550.85
14	77707-0002	Enclosure Kit, Upper Right-Hand	339.64	408.11
16	474095	One Piece Metal Chamber/Combustion Chamber Assembly ²	CALL	CALL
16	474957	One Piece Metal Chamber/Combustion Chamber Assembly ¹	662.37	795.90
17	42001-0001S	Lower Enclosure	827.57	994.41
19	77707-3200N	Enclosure Kit, Upper Left-Hand - Natural (200)	353.95	425.31
19	77707-3333N	Enclosure Kit, Upper Left-Hand - Natural (333)	353.95	425.31
19	77707-3400N	Enclosure Kit, Upper Left-Hand - Natural (400)	353.95	425.31
19	77707-3200L	Enclosure Kit, Upper Left-Hand - Propane (200)	353.95	425.31
19	77707-3333L	Enclosure Kit, Upper Left-Hand - Propane (333)	353.95	425.31
19	77707-3400L	Enclosure Kit, Upper Left-Hand - Propane (400)	CALL	CALL
24a	474201	Combustion Chamber O-Ring Kit ²	CALL	CALL
24b	474952	Combustion Chamber O-Ring Kit ¹	70.94	85.24
27	474094	One Piece Metal Elbow/Combustion Chamber Cover Assembly ²	CALL	CALL
27	474958	One Piece Metal Elbow/Combustion Chamber Cover Assembly ¹	754.10	906.13
28	42002-0005S	Metal Vent Cover	205.45	246.87
29	42001-0074S	Kit Lower Enclosure Insulation	86.08	103.43

Item	Part No.	Description	US List	Can. List
NOT SHOWN				
	77707-0431	Gas Orifice Kit - Natural - 200 Model (Incl. 3 & 4) *	85.45	102.68
	77707-0421	Gas Orifice Kit - Natural - 333 Model (Incl. 3 & 4) *	85.45	102.68
	77707-0411	Gas Orifice Kit - Natural - 400 Model (Incl. 3 & 4) *	85.45	102.68
	77707-0461	Gas Orifice Kit - Propane - 200 Model (Incl. 3 & 4) *	85.45	102.68
	77707-0451	Gas Orifice Kit - Propane - 333 Model (Incl. 3 & 4) *	85.45	102.68
	77707-0441	Gas Orifice Kit - Propane - 400 Model (Incl. 3 & 4) *	85.45	102.68
	77707-1461	NG to Propane Conversion Kit - 200 Model (Incl. 3 & 4) *	88.35	106.16
	77707-1451	NG to Propane Conversion Kit - 333 Model (Incl. 3 & 4) *	88.35	106.16
	77707-1441	NG to Propane Conversion Kit - 400 Model (Incl. 3 & 4) *	88.35	106.16
	77707-1431	Propane to NG Conversion Kit - 200 Model (Incl. 3 & 4) *	88.35	106.16
	77707-1421	Propane to NG Conversion Kit - 333 Model (Incl. 3 & 4) *	88.35	106.16
	77707-1411	Propane to NG Conversion Kit - 400 Model (Incl. 3 & 4) *	88.35	106.16
	77707-0111	Air Orifice Kit - (Incl. 6 & 7, 200 Model Only)	102.79	123.51
	77707-0112	Air Orifice Kit - (Incl. 6 & 7, 333 Model Only)	102.79	123.51
	77707-0113	Air Orifice Kit - (Incl. 6 & 7, 400 Model Only)	102.79	123.51
	77707-0011	Blower/Adapter Plate Gasket Kit - (Incl. 8, 9, 10, & 12)	101.23	121.64
	77707-0202	Flameholder Kit - 200 Model (Incl. 10, 11, 12 & 13)	240.55	289.04
	77707-0203	Flameholder Kit - 333 Model (Incl. 10, 11, 12, 13, & Flameholder Insert)	270.61	325.16
	77707-0204	Flameholder Kit - 400 Model (Incl. 10, 11, 12, 13, & Flameholder Insert)	315.70	379.35
	42001-0074S	Lower Enclosure Insulation	86.08	103.43
	77707-0008	Insulation Kit (Incl. 13, 15, 20, 21, 22, 23, 24, 25, 26)	245.10	294.51
	77707-0112	Air Orifice Kit 333 Model	102.79	123.51
	77707-0113	Air Orifice Kit 400 Model	102.79	123.51
	461100	Pro Service Package - Master Commonly replaced items in a reusable hardcase	1760.66	2115.61
	475265	Rodent Resistant Air Orifice Protection Cap	113.08	135.88
	42001-0085S	Bolt Down Kit	84.00	100.93

* Not included with heater. Order separately.

¹ For Heaters Manufactured after 11/16/13 (New 9-Bolt Lid Tub Design).

² For Heaters Manufactured after 1/12/09 (Clamp Lid Tub Design).

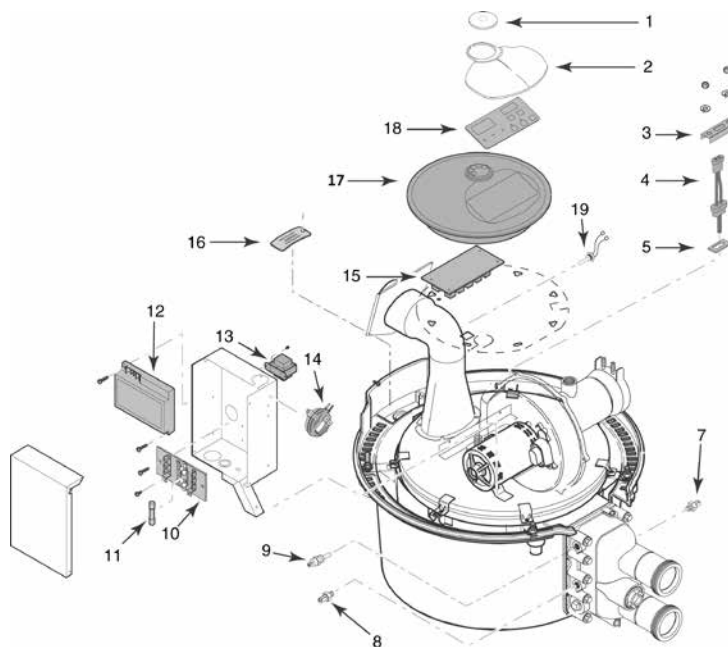
Note: Kits include Clamp assembly, O-ring and silicone tube.

CALIFORNIA PROPOSITION 65 WARNING

▲ **WARNING:** Cancer and Reproductive Harm.
 ▲ **AVERTISSEMENT:** Peut Causer le Cancer et des Dommages au Système Reproducteur.
 ▲ **ADVERTENCIA:** Cáncer y Daño Reproductivo.
www.p65warnings.ca.gov

MAX-E-THERM® HEATER

ELECTRICAL SYSTEM REPLACEMENT PARTS



Item	Part No.	Description	Qty.	US List	Can. List
MAX-E-THERM ELECTRICAL SYSTEM					
1	77707-0009	Display Cover Retainer Cap Kit, Cap and CPSC Warning Label	1	112.03	134.62
2	42001-0008S	Heater Display Cover	1	62.97	75.66
3	42001-0030S	Igniter Bracket	1	84.00	100.93
4	77707-0054	Igniter/Igniter Gasket Kit (Incl. Key Nos. 4 and 5)	1	130.17	156.41
5	42001-0066S	Igniter Gasket	1	84.00	100.93
7	42002-0025S	Automatic Gas Shutoff Switch (AGS)	1	80.06	96.20
8	42001-0063S	High Limit Switch	1	97.35	116.98
9	42001-0053S	Thermistor	1	124.34	149.41
10	42001-0056S	Terminal Board	1	84.00	100.93
11	32850-0099	Fireman's Switch Fuse (1.25A, 1-1/4 in.)	1	11.74	14.11
12	476223	Ignition Control Module	1	522.00	627.24
13	42001-0107S	Transformer, 115/230V	1	106.18	127.59
13	42001-0057S	Transformer 120/240V, Single Adapter Only*	1	100.26	120.47
14	42001-0061S	Air Flow Switch	1	215.29	258.69
15	461105	Control Board Kit (NA, LP Series)	1	988.32	1187.57
16	77707-0022	Junction Box Cover Kit	1	84.00	100.93

Item	Part No.	Description	Qty.	US List	Can. List
17	77707-0013	Enclosure for Control Board (Incl. #17, 18)	1	422.72	507.94
18	472610Z	Five Button Membrane Keypad - for heaters made before 5/5/2021	1	215.69	259.17
18	461106	Six Button Membrane Keypad - For heaters made after 5/6/2021	1	215.67	259.15
19	42002-0024S	Stack Flue Sensor	1	187.09	224.81
19b	42002-0009	Stack Flue Switch	1	CALL	CALL
NOT SHOWN					
	461107	Heater Wiring Harness - 115/230V	1	517.98	622.40
	42001-0105S	120/240 Volt Plug Kit	1	84.00	100.93
	42002-0009	Temp Probe		CALL	CALL
	42001-0057S	Transformer 120/240 (Dual and Single Adapter)	1	100.26	120.47
	42001-0247	Blower Adapter Dual/Single Volt	1	60.81	73.07
	461101	Pro Service Page - Electrical Parts (includes items in a reusable hardcase: 4, 7 qty (2), 8 qty (2), 9 qty (2), 11 qty (3), 14, 19, not shown water pressure switch)		765.51	919.84

CALIFORNIA PROPOSITION 65 WARNING

⚠ WARNING: Cancer and Reproductive Harm.
⚠ AVERTISSEMENT: Peut Causer le Cancer et des Dommages au Système Reproducteur.
⚠ ADVERTENCIA: Cáncer y Daño Reproductivo.
www.p65warnings.ca.gov

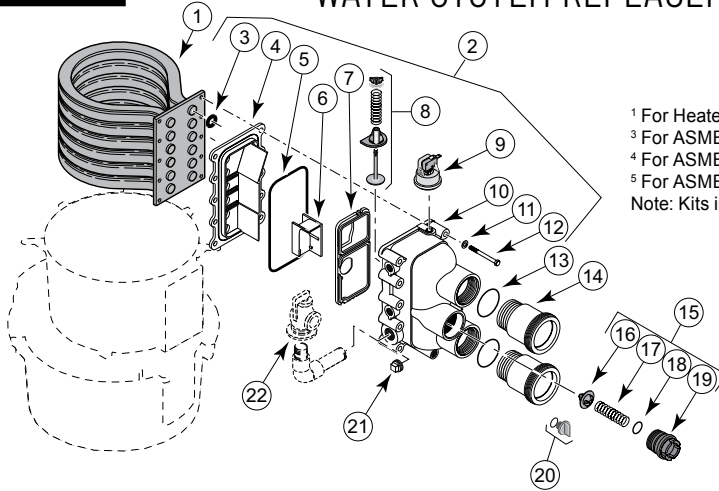
* For single voltage wire harness heaters prior to 2004.

Product on page 108–109.



MAX-E-THERM® HEATER

WATER SYSTEM REPLACEMENT PARTS



¹ For Heaters Manufactured after 1/12/09
³ For ASME Heaters Manufactured After 3/24/09 (Tub Design w/Clamp Ring).
⁴ For ASME Heaters Manufactured Prior to 10/2012 (Old Header Design).
⁵ For ASME Heaters Manufactured After 11/16/13 (New 9-Bolt Tub Design).
 Note: Kits include Clamp, O-rings, Insulation, Igniter and Blower Gaskets.

CALIFORNIA PROPOSITION 65 WARNING
 ⚠️ WARNING: Cancer and Reproductive Harm.
 ⚠️ AVERTISSEMENT: Peut Causer le Cancer et des Dommages au Système Reproducteur.
 ⚠️ ADVERTENCIA: Cáncer y Daño Reproductivo.
www.p65warnings.ca.gov PK 201714

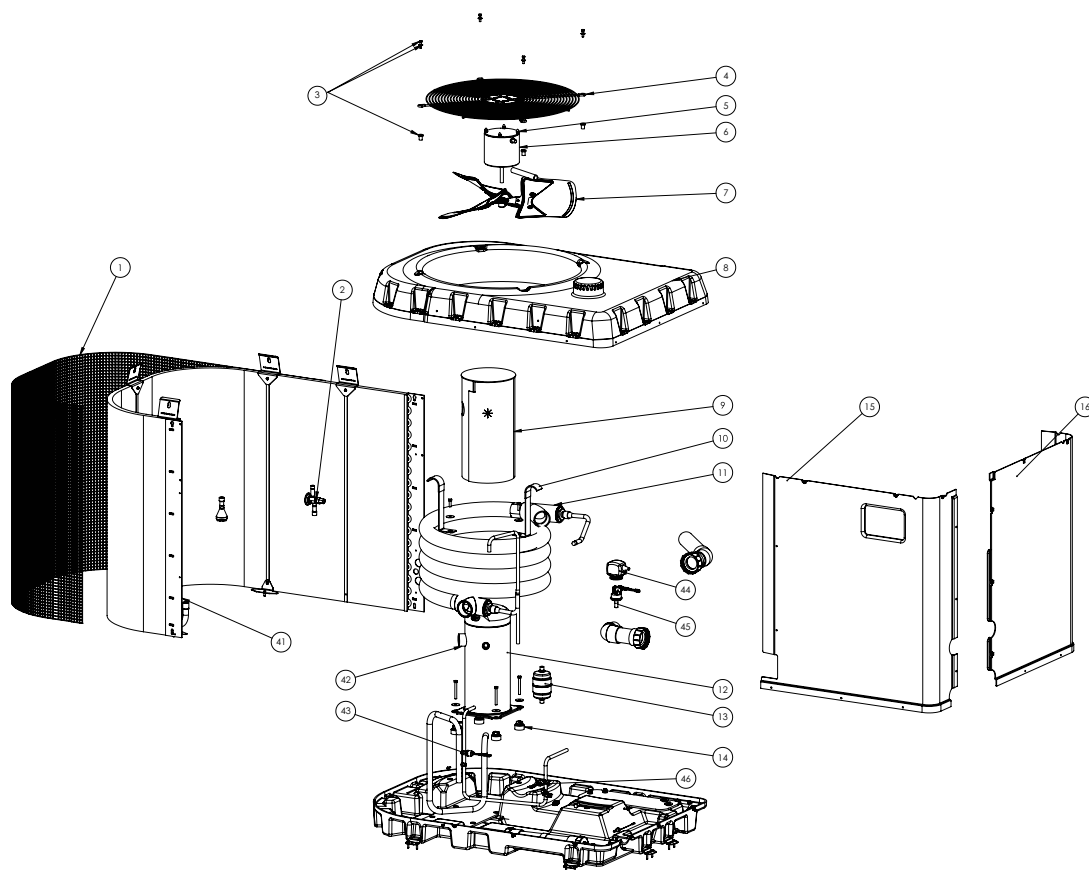
Item	Part No.	Description	US List	Can. List
MAX-E-THERM WATER SYSTEM				
1	474058	Tube Sheet Coil Assembly Kit (NA, LP Series) (Incl. No. 3) - 200 Models ¹	1415.98	1701.44
1	474060	Tube Sheet Coil Assembly Kit (NA, LP Series) (Incl. No. 3) - 333 Models ¹	1960.61	2355.87
1	474061	Tube Sheet Coil Assembly Kit (NA, LP Series) (Incl. No. 3) - 400 Models ¹	2341.80	2813.91
1	474062	Tube Sheet Coil Assembly Kit (HD Series) (Incl. No. 3) - 200 Models ¹	2744.62	3297.94
1	474064	Tube Sheet Coil Assembly Kit (HD Series) (Incl. No. 3) - 333 Models ¹	3213.18	3860.96
1	474065	Tube Sheet Coil Assembly Kit (HD Series) (Incl. No. 3) - 400 Models ¹	3539.95	4253.60
2	77707-0014	Manifold Kit (Incl. Nos. 3-14, 20-21, and 7-9 in "Electrical System" (Page 300) - 200 Models	1000.53	1202.24
2	77707-0015	Manifold Kit (Incl. Nos. 3-14, 20-21, and 7-9 in "Electrical System" (Page 300) - 333 Models	1000.53	1202.24
2	77707-0016	Manifold Kit (Incl. Nos. 3-14, 20-21, and 7-9 in "Electrical System" (Page 300) - 400 Models	1000.53	1202.24
2	474200	Basic Manifold Kit (Incl. Nos. 3, 10-14)	319.23	383.59
3	77707-0117	Coil/Tubesheet Sealing O-Ring Kit - 200 Model (6)	84.00	100.93
3	77707-0118	Coil/Tubesheet Sealing O-Ring Kit - 333 Model (10)	84.00	100.93
3	77707-0119	Coil/Tubesheet Sealing O-Ring Kit - 400 Model (12)	84.00	100.93
8	77707-0001	Manifold Bypass Valve Package	89.02	106.97
9	42001-0060S	Water Pressure Switch	128.49	154.39
13	U9-266	O-Ring	5.34	6.42

Item	Part No.	Description	US List	Can. List
14	77707-0017	Connector Tube Kit (Includes 1 Connector Tube and 1 O-Ring)	85.38	102.59
15	77707-0010	Thermal Regulator Kit (Incl. Key 16-19 and Spring Clip)	162.62	195.40
16	38000-0007S	Thermal Regulator (Includes Spring Clip)	112.03	134.62
18	35505-1313	Thermal Regulator Cap O-ring (O-ring only)	7.17	8.62
20	U178-920PZ	Drain Plug	7.80	9.37
21	U78-60ZPS	3/4 in. Pipe Plug	9.89	11.88
22	473715Z	Kit Pressure Relief Valve	245.51	295.00
23	PKG 188Z	2 in. Union Adapter Package (includes 2)	46.96	56.43
461102		Pro Service Package - Water System Parts (Includes items in reusable hard case; #8, #9, #15, not shown - Thermistor qty(2), High Limit Switch qty(2), AGS Switch qty(2))	612.40	735.86
462052		Accessories and Documents Bundle	CALL	CALL

ASME KITS				
	472648Z	Bypass Access Plug (Old Header Design ASME)	576.94	693.25
	77707-0120	O-Ring Kit (Incl. Nos. 3, 5)	71.57	86.00
	474096	Heat Exchanger Kit - 400 ASME ³	CALL	CALL
	474956	Heat Exchanger Kit ⁵ - 400 ASME	4846.97	5824.12
	460923	ASME Bypass Valve Kit ⁴ (Old Header Design)	501.55	602.66
	461007	ASME Bypass Valve Tool Kit ⁴ (Old Header Design)	298.31	358.45
	460924	Thermal Regulator Kit (incl. spring clip & install tools) (ASME) (Old Heater Design) ⁴	245.10	294.51
	460941	Heat Exchanger Kit - 250 ASME ²	CALL	CALL
	474097	Heat Exchanger Kit - 250 ASME ³	CALL	CALL

ULTRATEMP ETi® HEATER

HIGH PERFORMANCE HYBRID HEATER



Item	Part No.	Description	Qty.	US List	Can. List
ULTRATEMP 220 ETi REFRIGERATION SYSTEM					
1	473054Z	Coil Guard	1	282.78	339.79
2	476105Z	Thermostatic Expansion Valve	1	174.54	209.73
3	470441	Fan Guard Fastener Kit	1	11.95	14.36
4	473786	Fan Guard	1	239.42	287.69
5	470439	Nut, #10-32 SS Acorn	1	7.79	9.36
6	473785	Fan Motor with Acorn Nut Kit	1	584.25	702.03
7	473783	Fan Blade	1	275.35	330.86
8	475938Z	Hybrid Lid Almond	1	577.90	694.40
8	476068Z	Hybrid Lid Black	1	577.90	694.40
9	475230Z	Compressor Blanket	1	133.16	160.01
10	475948Z	Titanium Heat Exchanger Tie Down Bracket	1	56.25	67.59
11	475949	Titanium Heat Exchanger	1	CALL	CALL

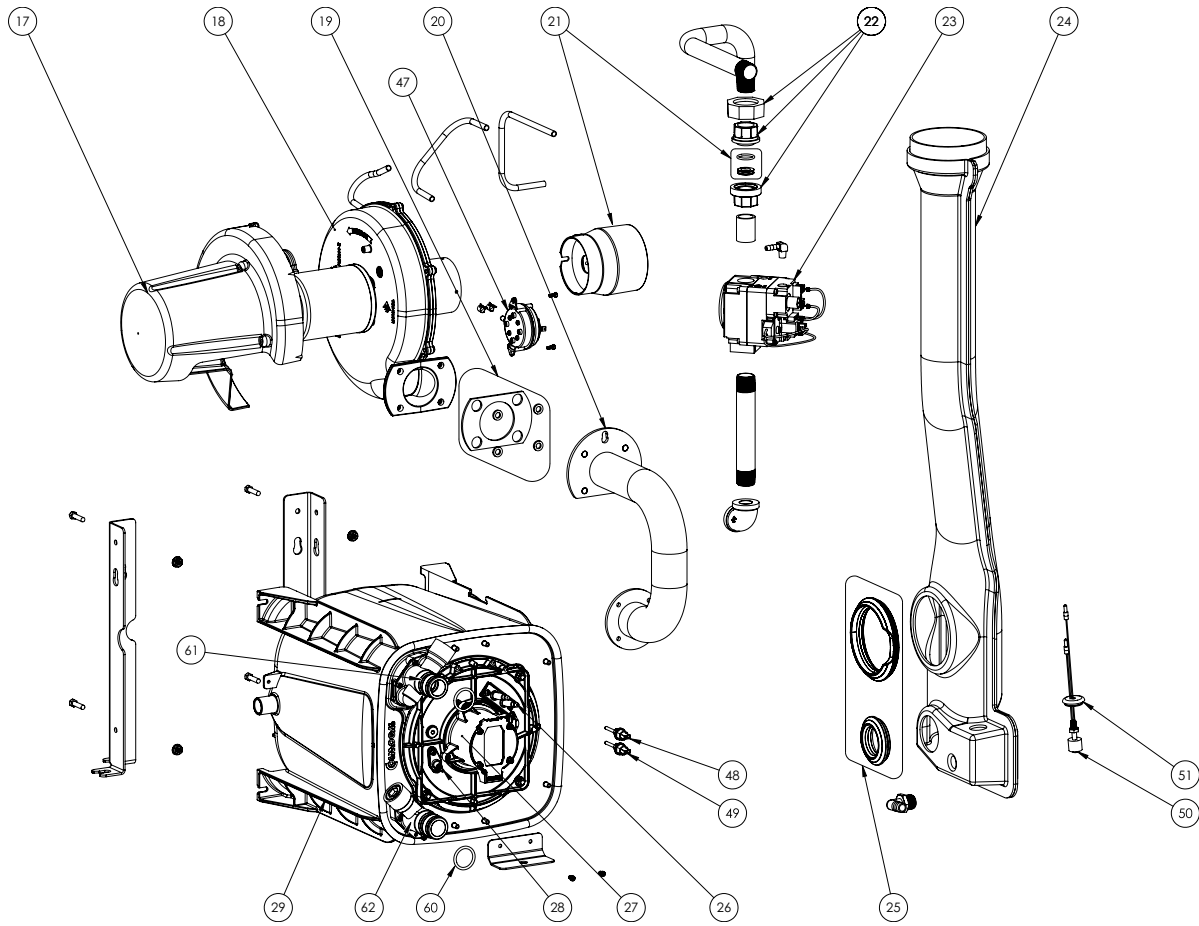
Item	Part No.	Description	Qty.	US List	Can. List
12	473735Z	Compressor, ZP70 (FG UNITS BUILT BEFORE 12/14/20)		3634.32	4367.00
12	476229Z	Compressor, ARA072KA (FG UNITS BUILT ON AND AFTER 12/14/20)		4094.72	4920.22
13	473121	Drier Single Direction	1	144.29	173.38
14	473736	Compressor Isolation Kit	1	41.86	50.30
15	475939	Control/HP Panel Almond		244.78	CALL
15	476069	Control/HP Panel Black		244.78	CALL
16	475940Z	Gas Panel Almond		352.94	424.09
16	476070Z	Gas Panel Black		352.94	424.09
*	472409	CoreMax Valve Core		15.90	CALL

* Not shown

CALIFORNIA PROPOSITION 65 WARNING
⚠ WARNING: Cancer and Reproductive Harm.
⚠ AVERTISSEMENT: Peut Causer le Cancer et des Dommages au Système Reproducteur.
⚠ ADVERTENCIA: Cáncer y Daño Reproductivo.
www.p65warnings.ca.gov

ULTRATEMP ETi® HEATER (CONT'D)

HIGH PERFORMANCE HYBRID HEATER



Item	Part No.	Description	Qty.	US List	Can. List
ULTRATEMP 220 ETi GAS SYSTEM					
17	475918Z	Blower Shield Cap	1	78.99	94.91
18	474285Z	Blower	1	386.27	464.14
19	475902Z	Air Manifold to Blower Gasket Kit	1	31.18	37.47
20	475899Z	Air Manifold	1	532.14	639.42
21		Orifice Kit, Natural Gas	1		
21		Orifice Kit, Propane	1		
22	38404-4097S	3/4 in. Union	1	55.99	67.28
23		Gas Valve	1		
24	475900Z	Exhaust	1	1143.09	1373.54
25	475877	Exhaust Gasket Kit (2 Pieces)	1	34.11	40.99
26	476081Z	Gas Engine Spark Electrodes	1	201.60	242.24
28	462023	Flame Sensor		67.37	CALL
61	462066	Kit Inlet Hybrid Exch		130.81	157.18
62	462067	Kit Outlet Hybrid Exch		130.81	157.18

Item	Part No.	Description	Qty.	US List	Can. List
ULTRATEMP 220 ETi GAS SYSTEM					
*	475615	Gas Heat Exchanger Gasket Service Kit	1	885.32	1063.80
*	475606	Gas Heat Exchanger Hardware Kit	1	110.60	132.90
*	475943	Pressure Relief Valve Kit	1	307.46	369.44
	475954Z	Condensate Neutralizer Kit		350.77	421.49

* Not shown

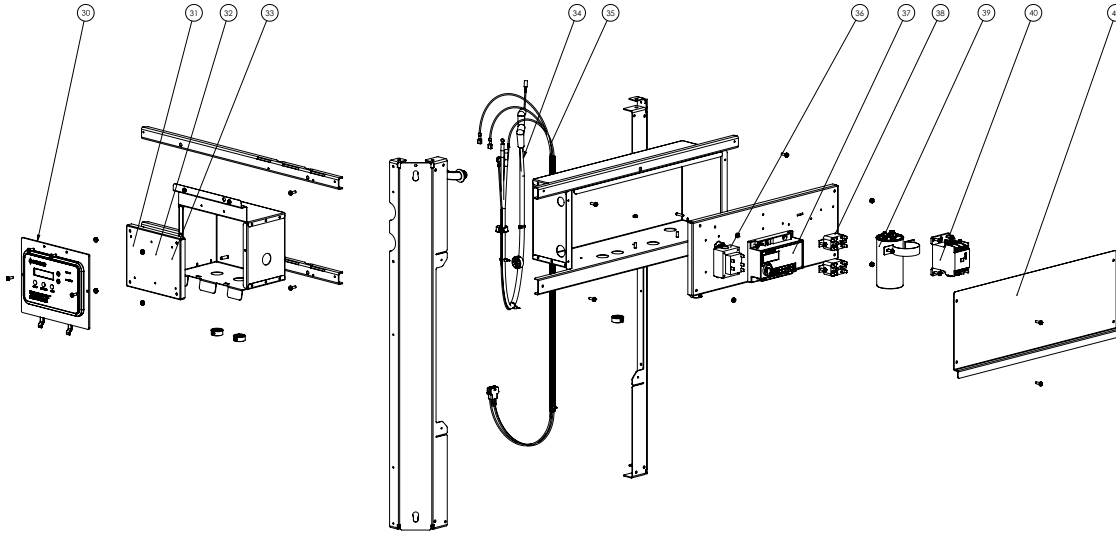
CALIFORNIA PROPOSITION 65 WARNING

⚠ **WARNING:** Cancer and Reproductive Harm.
 ⚠ **AVERTISSEMENT:** Peut Causer le Cancer et des Dommages au Système Reproducteur.
 ⚠ **ADVERTENCIA:** Cáncer y Daño Reproductivo.

www.p65warnings.ca.gov. PNL020174A

ULTRATEMP ETi® HEATER (CONT'D)

HIGH PERFORMANCE HYBRID HEATER



Item	Part No.	Description	Qty.	US List	Can. List
ULTRATEMP 220 ETi ELECTRICAL SYSTEM					
30	475957Z	Bezel, Control Board, and Label Kit	1	748.54	899.45
31	475928Z	Wire Harness, Gas Inputs	1	137.23	164.90
32	475929Z	Wire Harness, Heat Pump Inputs	1	78.99	94.91
33	475930Z	Wire Harness, Outputs	1	174.66	209.87
34	475926Z	Wire Harness, Spark Plugs (NG Units)	1	89.40	107.42
34	476450Z	Wire Harness, Spark Plugs (LP Units)		86.80	CALL
35	475931Z	Wire Harness, Gas Blower	1	27.03	32.48
36	473155	Transformer	1	246.97	296.76
37	475933Z	Ignition Control Module	1	790.12	949.41
38	473150	Relay, Fan and Gas	1	169.01	203.08
39	473731Z	Dual Capacitor with Bracket	1	131.09	CALL
40	473149	Contactor Compressor/ Input Power	1	262.42	315.32
41	475905Z	Cover Panel, High Voltage Box		127.99	153.79
42	474237	Compressor Harness Clip	1	13.01	15.63
43	473656	Switch, Low Refrigerant Pressure	1	174.35	209.50
44	473606	Water Pressure Switch Boot	1	10.09	12.12
45	475956Z	Water Pressure Switch	1	70.71	84.97

Item	Part No.	Description	Qty.	US List	Can. List
46	473744	Switch, High Refrigerant Pressure		142.33	171.02
47	475987	Air Pressure Switch		124.60	CALL
48	476118Z	Thermal Fuse		102.49	123.15
49	475601	Stack Flue Sensor		97.35	116.98
50	475901Z	Condensate Float Switch	1	41.62	50.01
51	475911Z	Condensate Float Switch Bushing	1	13.32	16.01
52	475941	Switch, Automatic Gas Shutoff, 140° F		58.18	69.91
53	475955Z	Switch, High Limit, 127° F		54.06	64.96
54	471566	Probe, Thermistor Water Temperature		81.89	98.40
*	475927Z	Wire Harness, High Voltage		87.33	104.94
*	475932Z	Compressor Harness, Hybrid (For ZP70 Compressor)		58.22	69.96
*	476234Z	Compressor Harness, Hybrid (For ARA072KA Compressor)		CALL	CALL

* Not shown

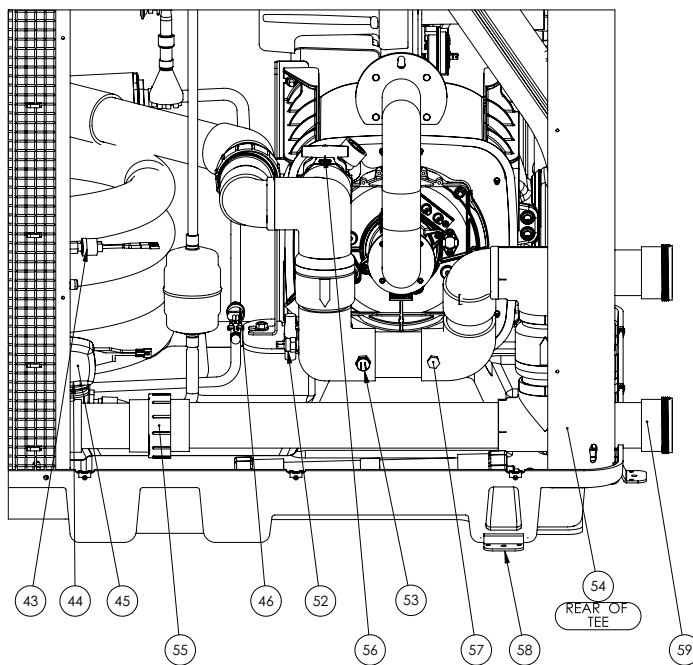
CALIFORNIA PROPOSITION 65 WARNING

▲ **WARNING:** Cancer and Reproductive Harm.
▲ **AVERTISSEMENT:** Peut Causer le Cancer et des Dommages au Système Reproducteur.
▲ **ADVERTENCIA:** Cáncer y Daño Reproductivo.

www.p65warnings.ca.gov
P/N 280174

ULTRATEMP ETi® HEATER (CONT'D)

HIGH PERFORMANCE HYBRID HEATER



CALIFORNIA PROPOSITION 65 WARNING
 ⚠️ **WARNING:** Cancer and Reproductive Harm.
 ⚠️ **AVERTISSEMENT:** Peut Causer le Cancer et des Dommages au Système Reproducteur.
 ⚠️ **ADVERTENCIA:** Cáncer y Daño Reproductivo.
www.p65warnings.ca.gov PK220174

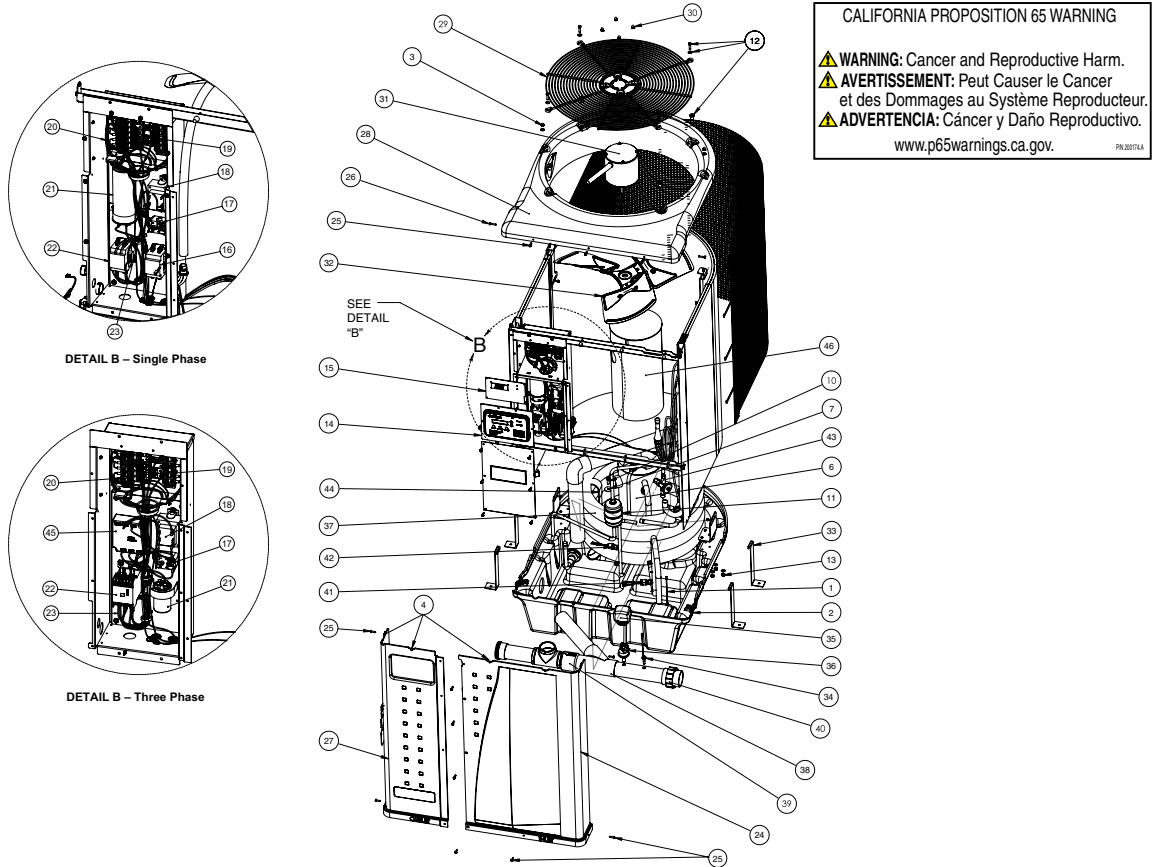
Item	Part No.	Description	Qty.	US List	Can. List
ULTRATEMP 220 ETi PLUMBING/MISC.					
	473665	Probe Thermistor, Defrost Sensor	1	66.56	79.98
55	473381	Union PVC 2in	1	42.50	51.07
	475953Z	QRC Clip	1	20.39	24.50
56	98218900	Drain Plug (1/4 NPT)	1	9.97	11.98
57	475950Z	Hurricane Tie Down Straps	1	74.87	89.96
58	476032Z	Water Management Assembly	1	1359.91	1634.07
59	475912Z	Gas Engine Brass Ftg O-ring, -215 Silicone	1	14.55	17.48
*	470284	Nut, J Clip (Base)	1	4.68	5.62
*	470281	Nut, U Clip (Panels)	1	3.90	4.69
*	470159	Panel Screws, Phillips, Almond	1	1.97	2.37
*	470161	Lid Bracket Scews, Square Drive, Almond	1	1.97	2.37
*	476036Z	Union/Tie Down Kit (Includes 8X Item 58 and 2X Item 55)	1	415.03	498.70
*	474198	Panel Screws, Phillips, Black		1.97	2.37
*	474197	Lid Bracket Screws, Square Drive, Black		1.97	2.37
*	475943	Pressure Relief Valve Kit		307.46	369.44
*	473381	Union 2 in x 2 in, with O-Ring		42.50	51.07

* Not shown

ULTRATEMP® HEAT PUMP

460833, 460863, 460928, 460929, 460930, 460931, 460932, 460933,
 460934, 460935, 460936, 460937, 460938, 460958, 460959, 460960, 460961,
 460962, 460963, 460964, 460965, 460967, 462032 & 462033

REPLACEMENT PARTS



CALIFORNIA PROPOSITION 65 WARNING
 ⚠ WARNING: Cancer and Reproductive Harm.
 ⚠ AVERTISSEMENT: Peut Causer le Cancer et des Dommages au Système Reproducteur.
 ⚠ ADVERTENCIA: Cáncer y Daño Reproductivo.
 www.p65warnings.ca.gov. PH200710A

Item	Part No.	Description	US List	Can. List
ULTRATEMP REPLACEMENT PARTS				
1	473665	PROBE THERMISTOR DEFROST SENSOR	66.56	79.98
2	470284	NUT, J-CLIP	4.68	5.62
3	473285	NUT, 1/4-20 SS ACORN	1.97	2.37
4	470281	NUT, U-CLIP	3.90	4.69
5	473732	WIRE HARNESS, COMPRESSOR (1PH-60HZ) (For ZP49, ZP61, ZP70, and ZP83 compressors)	147.50	177.24
5	476233	Wire Harness, Compressor (1PH-60HZ) (For ARA083KA, ARA072KA, ARA061KA, and ABG049KAC compressors)	147.50	177.24
5	474009	WIRE HARNESS, COMPRESSOR (1PH-50HZ)	153.94	184.97
5	474010	WIRE HARNESS, COMPRESSOR (3-PHASE MODELS)	153.25	184.15
6	473734Z	COMPRESSOR, SCROLL ZP83 (MODEL 120, 120HC, 140, 140 HC ONLY) FG UNITS BUILT BEFORE 12/21/20	4094.72	4920.22
6	473735Z	COMPRESSOR, SCROLL ZP70 (MODEL 110 ONLY) FG UNITS BUILT BEFORE 12/14/20	3634.32	4367.00
6	474011Z	COMPRESSOR, SCROLL ZP83 (3-PHASE MODEL 120C, 140C ONLY)	4057.11	4875.02
6	474241Z	COMPRESSOR, SCROLL ZP61 (MODEL 90 ONLY) FG UNITS BUILT BEFORE 1/6/21	3300.87	3966.33
6	474291Z	COMPRESSOR, SCROLL ZP49 (MODEL 70 ONLY) FG UNITS BUILT BEFORE 1/6/21	2815.46	3383.06
6	476230Z	COMPRESSOR, SCROLL ARA083KA (MODEL 120Q, 120HC, 140, 140 HC) FG UNITS BUILT ON AND AFTER 12/21/20 (ACTIVE DEFROST UNITS SWITCHED TO NEW COMPRESSOR ON 5/10/21)	3634.32	4367.00
6	476229Z	COMPRESSOR, SCROLL ARA072KA (MODEL 110 ONLY) FG UNITS BUILT ON AND AFTER 12/14/20	4094.72	4920.22
6	476228Z	COMPRESSOR, SCROLL ARA061KA (MODEL 90 ONLY) FG UNITS BUILT ON AND AFTER 1/6/21	2815.46	3383.06
6	476227Z	COMPRESSOR, SCROLL ABG049KAC (MODEL 70 ONLY) FG UNITS BUILT ON AND AFTER 1/6/21	3300.87	3966.33
7	473295	FENDER WASHER	1.97	2.37
8	473736	COMPRESSOR ISOLATION KIT, GROMMET AND SPACER 1 SET	41.86	50.30
9	473745	BOLT 5/16-18 x 2 in. SS	6.81	8.18
10	98219800	BOLT 5/16-18 x 1 in. SS	2.38	2.86
11	473121	DRIER (ALL MODELS EXCEPT 120HC, 140HC)	144.29	173.38
11	473139	DRIER (MODEL 120HC, 140HC)	428.71	515.14
12	470441	FAN GUARD FASTENER KIT	11.95	14.36

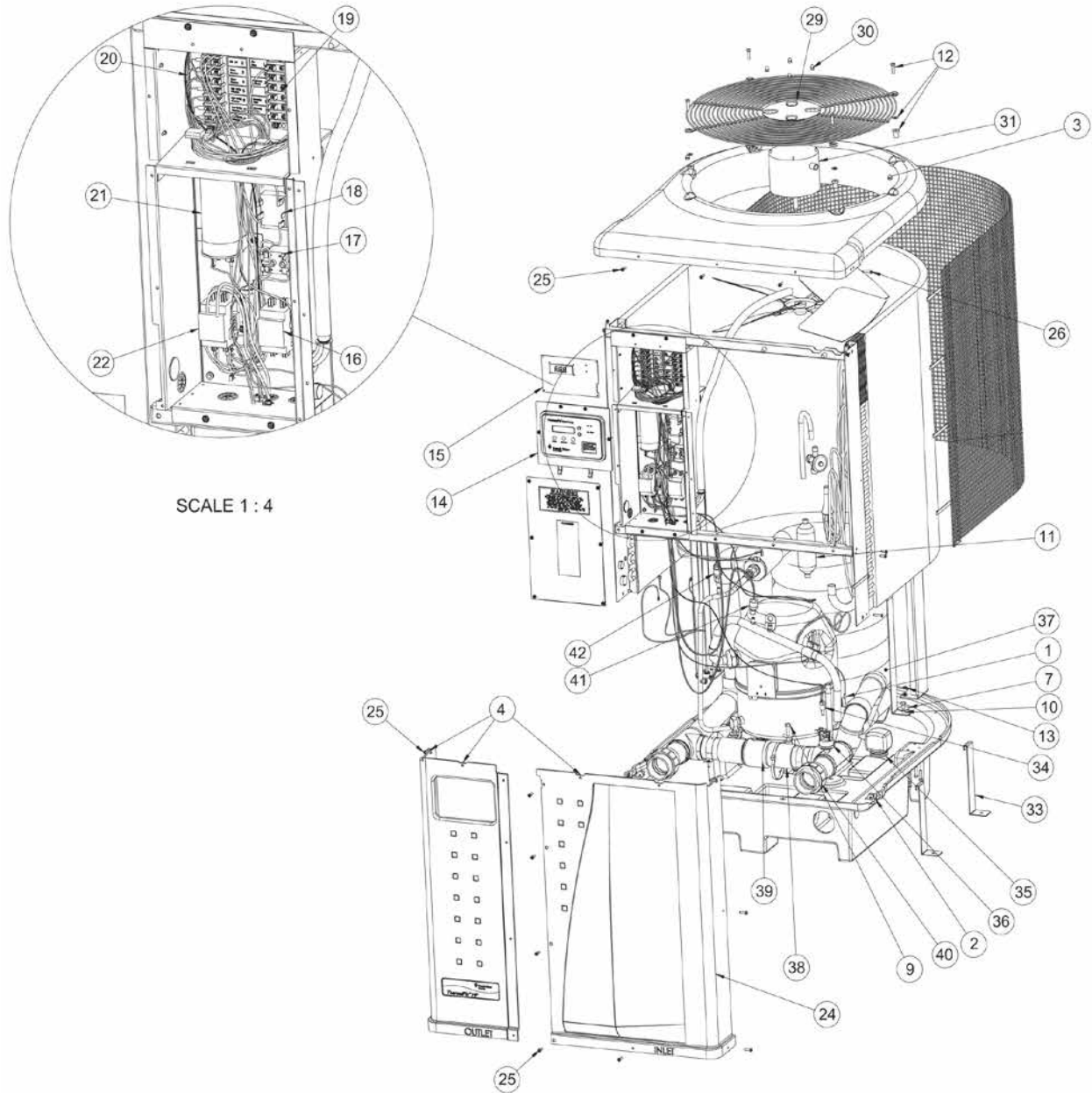
ULTRATEMP® HEAT PUMP (CONT'D)

Item	Part No.	Description	US List	Can. List	Item	Part No.	Description	US List	Can. List
13	071406	NUT, 1/4-20 HEX SS	CALL	CALL	32	475271Z	FAN BLADE (MODEL 120Q ONLY)	333.33	CALL
14/15	472734	BEZEL, CONTRL BOARD & LABEL KIT	665.75	799.97	33	470137	TIE DOWN BRACKET	30.13	36.20
16	473603Z	PUMP CONTACTOR AUTOHEAT REPLACEMENT KIT (MODEL 70, 90, 110, 120, 120 H/C, 140, 140H/C)	502.13	603.36	34	471566	PROBE THERMISTER - WATER TEMPERATURE	81.89	98.40
17	473150	FAN RELAY	169.01	203.08	35	473606	WATER PRESSURE SWITCH BOOT	10.09	12.12
17	474016	FAN RELAY (3PH-50HZ ONLY)	CALL	CALL	36	473605	WATER PRESSURE SWITCH	115.43	138.70
18	473155	TRANSFORMER	246.97	296.76	37	473992	TITANIUM HEAT EXCHANGER (FOR ALL MODELS BUILT PRIOR TO JAN 2017, EXCEPT MODELS 1001, 901, 90, 70)	4800.91	5768.77
18	473790	TRANSFORMER (3PH-50HZ ONLY)	260.94	313.55	37	472736	TITANIUM HEAT EXCHANGER (FOR MODELS 1001 & 90 ONLY, UNITS BUILT PRIOR TO JAN 2017)	4798.22	5765.54
19	473422	WIRE HARNESS TERMINAL BLOCK-FAN, COMPRESSOR	127.22	152.87	37	475193Z	TITANIUM HEAT EXCHANGER (FOR ALL MODELS EXCEPT 70, UNITS BUILT AFTER JAN 2017)	3534.72	4247.32
20	473315	WIRE HARNESS, TERMINAL BLOCK-SENSORS	155.33	186.64	37	475219Z	TITANIUM HEAT EXCHANGER (FOR MODEL 70 ONLY, UNITS BUILT AFTER JAN 2017)	3326.80	3997.48
21	473731Z	CAPACITOR WITH BRACKET (MODEL 70, 90, 110, 120, 120Q, 120HC, 140, 140HC ONLY)	CALL	CALL	38	473774Z	WATER BYPASS MANIFOLD W/ 2 STREET ELBOWS (PRIOR TO JAN. 2017)	738.65	887.56
21	473154	CAPACITOR (3-PHASE MODEL 120C, 140C ONLY)	91.19	109.57	38	475176Z	WATER MANIFOLD BYPASS KIT	530.19	637.08
21	470146	CAPACITOR (MODEL 100I)	125.50	150.80	39	R172305	WATER BYPASS CHECK VALVE	CALL	CALL
22	473149	CONTACTOR, HEAT PUMP (ALL SINGLE PHASE MODELS PRIOR TO 12/2014)	262.42	315.32	40	473381	UNION PVC 2 in.	42.50	51.07
22	473778	CONTACTOR, HEAT PUMP (3-PHASE MODELS; ALL SINGLE PHASE MODELS POST 2014)	673.05	808.74	41	473656	SWITCH, LOW PRESSURE	174.35	209.50
23	473423	WIRE HARNESS, MAIN (ALL SINGLE PHASE MODELS PRIOR TO 12/2014)	123.19	148.03	42	473744	SWITCH, HIGH PRESSURE	142.33	171.02
23	475112	WIRE HARNESS, MAIN (ALL SINGLE PHASE MODELS)	123.17	148.00	43	473787	THERMOSTATIC EXPANSION VALVE (MODEL 120, 120C, 120Q, 90I)	375.29	450.95
23	474021	WIRE HARNESS, MAIN (3-PHASE MODEL 120C, 140C ONLY)	224.32	269.54	43	473999	THERMOSTATIC EXPANSION VALVE (MODEL 120HC, 110)	375.29	450.95
23	474031	WIRE HARNESS, MAIN (3-PHASE MODEL 90I ONLY)	234.84	282.18	43	474248	THERMOSTATIC EXPANSION VALVE (MODEL 100I)	375.28	450.94
24	473742	PANEL, FRONT RIGHT, 36 in. ALMD.	359.58	432.07	43	474242	THERMOSTATIC EXPANSION VALVE (MODEL 70, 90)	CALL	CALL
24	474194	PANEL, FRONT RIGHT, 36 in. BLACK	359.58	432.07	43	474327	THERMOSTATIC EXPANSION VALVE (MODELS 140, 140HC)	377.04	453.05
24	473431	PANEL, FRONT RIGHT (MODEL 100I ONLY)	351.18	421.98	44	473772	TITANIUM WATER COIL TIE DOWN STRAP (1 ON ALL MODELS EXCEPT MODEL 90I) (PRIOR TO JAN. 2017)	78.23	94.00
24	473412	PANEL, FRONT RIGHT (MODEL 70, 90, 90I ONLY)	308.32	370.48	44	473789	TITANIUM WATER COIL TIE DOWN STRAP (1 ON ALL MODELS EXCEPT MODELS 90, 90I & 100I) (PRIOR TO JAN. 2017)	119.32	143.37
24	474265	PANEL, FRONT RIGHT (MODEL 70 BLACK, 90 BLACK)	CALL	CALL	44	475194	TITANIUM WATER COIL TIE DOWN, RIGHT SIDE	42.43	50.98
25	470159	SCREW #10 x .75 in. PAN HEAD PHILLIPS, ALMOND HEAD	1.97	2.37	44	475195	TITANIUM WATER COIL TIE DOWN, LEFT SIDE	42.43	50.98
25	474198	SCREW #10 x .75 in. PAN HEAD PHILLIPS, BLACK HEAD	1.97	2.37	45	474089	PHASE MONITOR	376.51	452.41
26	470161	SCREW #10 x 1 in. BUTTON HEAD TORX, ALMOND HEAD	1.97	2.37	46	475231Z	COMPRESSOR BLANKET	CALL	CALL
26	474197	SCREW #10 x 1 in. BUTTON HEAD TORX, BLACK HEAD	1.97	2.37	NOT SHOWN				
27	473755	PANEL, FRONT LEFT, W/ DECAL	380.38	457.06	473135		REVERSING VALVE (Model 120HC, 140HC) HEAT COOL ONLY	CALL	CALL
27	474196	PANEL, FRONT LEFT, W/ DECAL, 36 in. BLACK	380.38	457.06	473432		REVERSING SOLENOID (Model 120HC, 140HC) HEAT COOL ONLY	317.43	381.42
27	474202	PANEL, FRONT LEFT, W/ DECAL (MODEL 100I ONLY), 36 in.	370.93	445.71	474270Z		TITANIUM COIL WATER SIDE REPAIR KIT (FOR HEAT EXCHANGER BUILT PRIOR TO JAN. 2017)	145.63	174.99
27	474203	PANEL, FRONT LEFT, W/ DECAL (MODEL 70, 90, AND 90I ONLY)	349.03	419.39	474237		COMPRESSOR HARNESS CLIP	13.01	15.63
27	474267	PANEL, FRONT LEFT, W/ DECAL, 24 in. BLACK	349.01	419.37	461030Z		WATER UNION & TIE DOWN KIT	110.94	133.31
28	473773	HP TOP, ALMOND	651.15	782.42	474321		3 IN. RECEIVER (MODEL 140, 140HC)	353.47	424.73
28	474193	HP TOP, BLACK	651.15	782.42	473054Z		COIL GUARD	282.78	339.79
28	475273	HP TOP, ALMOND (MODEL 120Q ONLY)	651.12	782.39	475232		MALE HOSE BARB 5/8" X 1/2" NPT	8.49	10.20
28	475274	HP TOP, BLACK (MODEL 120Q ONLY)	651.12	782.39	472409		COREMAX VALVE CORE	CALL	CALL
29	473786	GUARD, FAN	239.42	287.69	071426		O-RING FOR UNION	2.47	2.97
30	470439	NUT, #10-32 SS ACORN	7.79	9.36	476422Z		HARD START CAPACITOR KIT	CALL	CALL
31	473785	FAN MOTOR W/ ACORN NUT KIT	584.25	702.03	476352Z		Bracket, Top (For Model 120Q only)	64.10	77.02
31	474030Z	FAN MOTOR W/ ACORN NUT KIT (MODEL 90I ONLY)	808.86	971.93					
31	474323Z	FAN MOTOR W/ACORN NUT KIT (MODEL 140 & 140HC ONLY)	612.44	735.91					
32	473783Z	FAN BLADE (60 Hz)	277.78	CALL					
32	474230	FAN BLADE (50 Hz)	275.35	330.86					
32	474322Z	FAN BLADE (MODELS 140 & 140HC ONLY)	333.33	CALL					

THERMALFLO™ HEAT PUMP TITANIUM

460912, 460913, 460914, 460915, & 460922

REPLACEMENT PARTS



CALIFORNIA PROPOSITION 65 WARNING

⚠ **WARNING:** Cancer and Reproductive Harm.
⚠ **AVERTISSEMENT:** Peut Causer le Cancer
et des Dommages au Système Reproducteur.
⚠ **ADVERTENCIA:** Cáncer y Daño Reproductivo.
www.p65warnings.ca.gov

PH 201514

THERMALFLO™ HEAT PUMP TITANIUM (CONT'D)

REPLACEMENT PARTS

Item	Part No.	Description	US List	Can. List	Item	Part No.	Description	US List	Can. List
THERMALFLO HP TITANIUM									
1	473665	Probe Thermister Defrost Sensor	66.56	79.98	25	470159	Screw #10 x 3/4 in. Pan Head Phillips, Almond Head	1.97	2.37
2	470284	Nut, J-Clip	4.68	5.62	26	470161	Screw #10 x 1 in. Button Head Torx, Almond Head	1.97	2.37
3	473285	Nut, 1/4-20 SS Acorn	1.97	2.37	29	473368	Guard, Fan	174.11	209.21
4	470281	Nut, U-Clip	3.90	4.69	30	470439	Nut, 10-32 SS Acorn	7.79	9.36
7	473295	Fender Washer	1.97	2.37	31	470289	Fan Motor w/ Acorn nut Kit	442.52	531.73
9	473294	Bolt 5/16-18 x 1-3/4 in. SS	1.97	2.37	33	470137	Tie Down Bracket	30.13	36.20
10	98219800	Bolt 5/16-18 x 1 in. SS	2.38	2.86	34	471566	Probe Thermister - Water Temperature	81.89	98.40
11	473121	Drier (Model # 500, 700, 900, 1200)	144.29	173.38	35	473606	Water Pressure Switch Boot	10.09	12.12
11	473139	Drier, Reversible (Model # 1200R)	428.71	515.14	36	473605	Water Pressure Switch	115.43	138.70
12	470441	Fan Guard Fastener Kit	11.95	14.36	37	472736	Titanium Heat Exchanger (Model# 700, 900, 1200, 1200R)	4798.22	5765.54
13	071406	Nut, 1/4-20 Hex SS	CALL	CALL	38	473774Z	Water Bypass Manifold ¹	738.65	887.56
14	473693	Bezel, Control Board w/ Label	266.30	319.99	39	R172305	Water Bypass Check Valve	CALL	CALL
15	472734	Control Board Assembly	665.75	799.97	40	473381	Union PVC 2 in.	42.50	51.07
16	473603	Pump Contactor AutoHeat	90.32	108.53	41	473656	Switch, Low Pressure	174.35	209.50
17	473150	Fan Relay	169.01	203.08	42	473655	Switch, High Pressure	174.35	209.50
18	473155	Transformer	246.97	296.76	NOT SHOWN				
19	473422	Wire Harness Terminal Block - Fan, Compressor	127.22	152.87	473135	Reversing Valve (Model # 1200R)	CALL	CALL	
20	473315	Wire Harness, Terminal Block - Sensors	155.33	186.64	473432	Reversing Solenoid (Model # 1200R) ²	317.43	381.42	
21	470146	Capacitor	125.50	150.80	473034	RotoLock Lo Side with Gasket	137.48	165.20	
22	473149	Contactor, Heat Pump	262.42	315.32	473035	RotoLock Hi Side with Gasket	137.48	165.20	
24	473412	Panel, Front Right (Model# 500, 700)	308.32	370.48					
24	473431	Panel, Front Right (Model# 900, 1200, 1200R)	351.18	421.98					

¹ For units manufactured after 7/1/09.

² For units manufactured after 2005.
(Use PN 473136 for units manufactured before 2005).

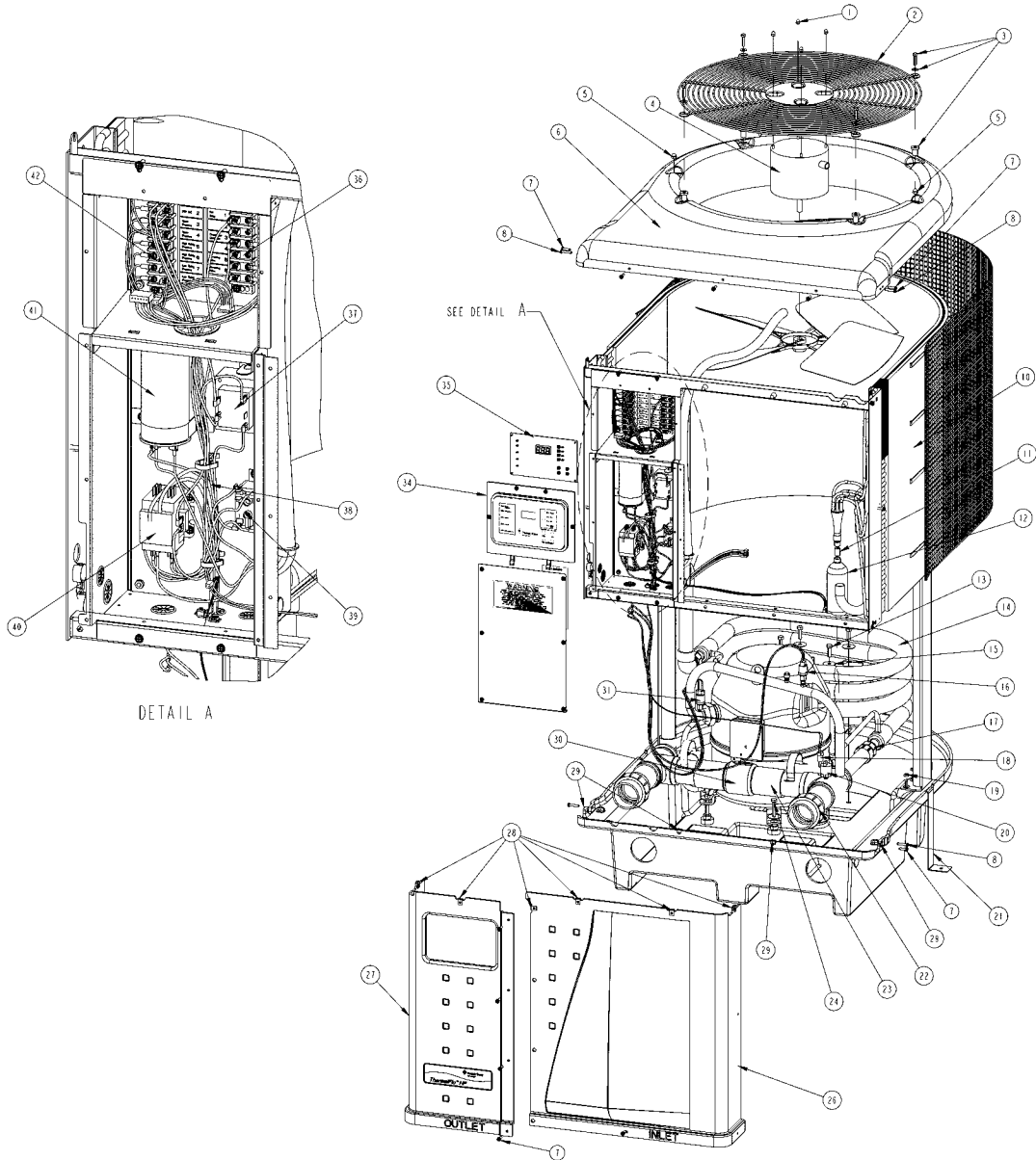
CALIFORNIA PROPOSITION 65 WARNING

⚠ **WARNING:** Cancer and Reproductive Harm.
 ⚠ **AVERTISSEMENT:** Peut Causer le Cancer et des Dommages au Système Reproducteur.
 ⚠ **ADVERTENCIA:** Cáncer y Daño Reproductivo.
www.p65warnings.ca.gov

THERMALFLO™ HEAT PUMP

460812, 460813, 460814, 460815, & 460822

REPLACEMENT PARTS



CALIFORNIA PROPOSITION 65 WARNING

⚠ **WARNING:** Cancer and Reproductive Harm.
 ⚠ **AVERTISSEMENT:** Peut Causer le Cancer et des Dommages au Système Reproducteur.
 ⚠ **ADVERTENCIA:** Cáncer y Daño Reproductivo.
www.p65warnings.ca.gov

PK2017LA

THERMALFLO™ HEAT PUMP (CONT'D)

REPLACEMENT PARTS

Item	Part No.	Description	US List	Can. List
THERMALFLO HP				
1	470439	Nut, 10-32 SS acorn ²	7.79	9.36
2	473368	Fan guard	174.11	209.21
3	470441	Fastener kit, fan guard, 1 set	11.95	14.36
4	470289	Fan motor w/ acorn nuts	442.52	531.73
5	473285	Nut, 1/4-20 SS acorn	1.97	2.37
6	473134	Top	959.64	1153.10
7	470159	Screw, 10 x 3/4 in. pan head phillips, almond head	1.97	2.37
8	470161	Screw, No.10 x 1 in. button head torx, almond head	1.97	2.37
11	473144	Orifice, reversing, Model No. 1200R	77.68	93.34
11	473145	Orifice, Model No. 500, 700, 900, 1200, 1200C	77.72	93.39
12	473121	Drier, Model No. 500, 700, 900, 1200, 1200C	144.29	173.38
12	473139	Drier, reversible, Model No. 1200R	428.71	515.14
13	98219800	Bolt 5/16-18 x 1 in., SS	2.38	2.86
14	473416	Coil, water, Model No. 500	2674.45	3213.62
14	473417	Coil, water, Model No. 700, 900, 1200, 1200R, 1200C	3200.71	3845.97
15	473295	Washer, fender	1.97	2.37
16	473175	Switch, low pressure	173.67	208.68
17	473116	Compression fitting, water line, Model No. 500	43.64	52.44
17	473117	Compression fitting, water line, Model No. 700, 900, 1200, 1200R, 1200C	27.51	33.06
18	471566	Probe, Thermistor	81.89	98.40
19	071406	Nut, 1/4-20 hex SS	CALL	CALL
20	473605	Switch, water pressure	115.43	138.70
21	470137	Bracket, tie down	30.13	36.20
22	473381	Union, 2 in. PVC	42.50	51.07
23	473320	Manifold, water bypass w/ hartford loop, Model No. 700, 900, 1200, 1200R, 1200C	CALL	CALL
23	473424	Manifold, water bypass w/ hartford loop, Model No. 500	CALL	CALL

Item	Part No.	Description	US List	Can. List
24	473294	Bolt 5/16-18 x 1-3/4 4 in. SS	1.97	2.37
26	473412	Panel, front right, Model No. 500, 700	308.32	370.48
26	473431	Panel, front right, Model No. 900, 1200, 1200R, 1200C	351.18	421.98
27	470419	Panel, front left, w/ decal, Model No. 500, 700	CALL	CALL
27	470434	Panel, front left, w/ decal, Model No. 900, 1200, 1200R, 1200C	CALL	CALL
28	470281	Nut, U-clip	3.90	4.69
29	470284	Nut, J-clip	4.68	5.62
30	R172305	Valve, check	CALL	CALL
31	473172	Switch, high pressure	173.67	208.68
34	473693	Bezel, control board w/ label	266.30	319.99
35	472734	Control board assembly	665.75	799.97
36	473422	Wire harness, fan & compressor terminal block	127.22	152.87
37	473155	Transformer	246.97	296.76
38	473423	Wire harness, main	123.19	148.03
39	473150	Relay, fan	169.01	203.08
40	473149	Contacto	262.42	315.32
41	470146	Capacitor	125.50	150.80
42	473315	Wire harness, sensor terminal block	155.33	186.64
NOT SHOWN				
	473606	Rubber boot cover for water pressure switch	10.09	12.12
	473135	Reversing valve w/ coil, Model No. 1200R	CALL	CALL
	473136	Solenoid, reversing, Model No. 1200R ¹	CALL	CALL
	473432	Coil for reversing valve ²	317.43	381.42
	473035	RotoLock Hi Side with Gasket	137.48	165.20
	473034	RotoLock Lo Side with Gasket	137.48	165.20

¹ For unit manufactured before 9-1-05.

² For units manufactured after 9-1-05.

CALIFORNIA PROPOSITION 65 WARNING

⚠ **WARNING:** Cancer and Reproductive Harm.
 ⚠ **AVERTISSEMENT:** Peut Causer le Cancer et des Dommages au Système Reproducteur.
 ⚠ **ADVERTENCIA:** Cáncer y Daño Reproductivo.
www.p65warnings.ca.gov

PH200714A

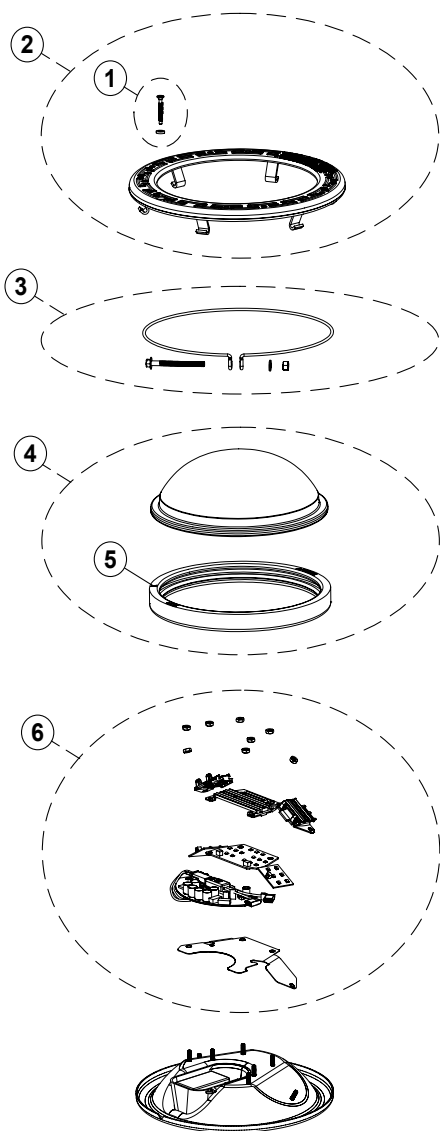
LIGHTING PARTS

Product Catalog 2024

INTELLIBRITE® ARCHITECTURAL SERIES

12V POOL LIGHTING REPLACEMENT PARTS

Item	Part No.	Description	US List	Can. List
INTELLIBRITE ARCHITECTURAL SERIES 12V POOL & SPA LIGHTING				
1	79104800z	Pilot Screw, Brass	6.94	8.34
1	619355z	Pilot Screw, Stainless	6.94	8.34
2	79110600	Face Ring Kit	163.78	196.80
3	79111000	Wire Clamp Kit	97.76	117.47
4	602168	Lens Kit	CALL	CALL
5	620400z	Gasket	78.16	93.92
6	618091z	LED Board Kit, 300W White	CALL	CALL
6	618090z	LED Board Kit, 500W White	CALL	CALL
6	618092z	LED Board Kit, Color	CALL	CALL
6	618137z	LED Board Kit, RGB/Royal Blue	CALL	CALL
6	618135z	LED Board Kit, Warm White	CALL	CALL
6	618136z	LED Board Kit, Turtle	CALL	CALL
—	618085	Fuse Assembly	CALL	CALL
—	See Below	Light Assembly	CALL	CALL



Model	Watts	Cord Length
WHITE LIGHT ASSEMBLY		
602143	300W	30 ft. (9.2 m)
602144	300W	50 ft. (15.2 m)
602145	300W	100 ft. (30.5 m)
602146	300W	150 ft. (45.7 m)
602139	500W	30 ft. (9.2 m)
602140	500W	50 ft. (15.2 m)
602141	500W	100 ft. (30.5 m)
602142	500W	150 ft. (45.7 m)

Model	Cord Length
WARM WHITE / TURTLE LIGHT ASSEMBLY	
602147	30 ft. (9.2 m)
602148	50 ft. (15.2 m)
602149	100 ft. (30.5 m)
602150	150 ft. (45.7 m)
602236 (Turtle)	150 ft. (45.7 m)

Model	Cord Length
COLOR LIGHT ASSEMBLY	
602151	30 ft. (9.2 m)
602152	50 ft. (15.2 m)
602153	100 ft. (30.5 m)
602154	150 ft. (45.7 m)

CALIFORNIA PROPOSITION 65 WARNING

⚠ **WARNING:** Cancer and Reproductive Harm.
 ⚠ **AVERTISSEMENT:** Peut Causer le Cancer et des Dommages au Système Reproducteur.
 ⚠ **ADVERTENCIA:** Cáncer y Daño Reproductivo.
www.p65warnings.ca.gov

Product on page 172–173.

INTELLIBRITE® ARCHITECTURAL SERIES

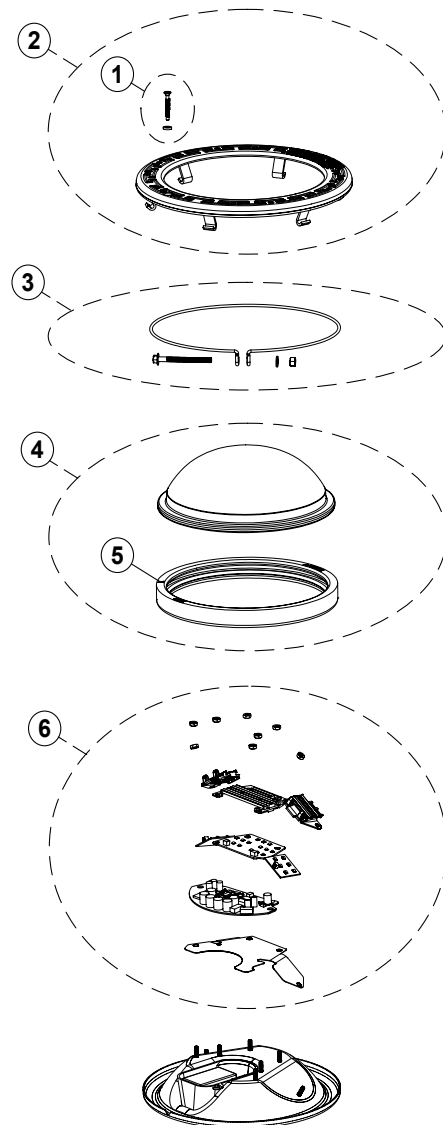
120V POOL LIGHTING REPLACEMENT PARTS

Item	Part No.	Description	US List	Can. List
INTELLIBRITE ARCHITECTURAL SERIES 120V POOL & SPA LIGHTING				
1	79104800z	Pilot Screw, Brass	6.94	8.34
1	619355z	Pilot Screw, Stainless	6.94	8.34
2	79110600	Face Ring Kit	163.78	196.80
3	79111000	Wire Clamp Kit	97.76	117.47
4	602168	Lens Kit	CALL	CALL
5	620400z	Gasket	78.16	93.92
6	618091z	LED Board Kit, 300W White	CALL	CALL
6	618090z	LED Board Kit, 500W White	CALL	CALL
6	618092z	LED Board Kit, Color	CALL	CALL
6	618137z	LED Board Kit, RGB/Royal Blue	CALL	CALL
6	618135z	LED Board Kit, Warm White	CALL	CALL
6	618136z	LED Board Kit, Turtle	CALL	CALL
—	See Below	Light Assembly	CALL	CALL

Model	Watts	Cord Length
WHITE LIGHT ASSEMBLY		
602181	300W	30 ft. (9.2 m)
602182	300W	50 ft. (15.2 m)
602183	300W	100 ft. (30.5 m)
602184	300W	150 ft. (45.7 m)
602207	300W	250 ft. (76.2 m)
602177	500W	30 ft. (9.2 m)
602178	500W	50 ft. (15.2 m)
602179	500W	100 ft. (30.5 m)
602180	500W	150 ft. (45.7 m)
602208	500W	250 ft. (76.2 m)

Model	Cord Length
WARM WHITE / TURTLE LIGHT ASSEMBLY	
602189	30 ft. (9.2 m)
602190	50 ft. (15.2 m)
602191	100 ft. (30.5 m)
602192	150 ft. (45.7 m)
602221	250 ft. (76.2 m)
602223 (Turtle)	150 ft. (45.7 m)

Model	Cord Length
COLOR LIGHT ASSEMBLY	
602185	30 ft. (9.2 m)
602186	50 ft. (15.2 m)
602187	100 ft. (30.5 m)
602188	150 ft. (45.7 m)
602206	250 ft. (76.2 m)



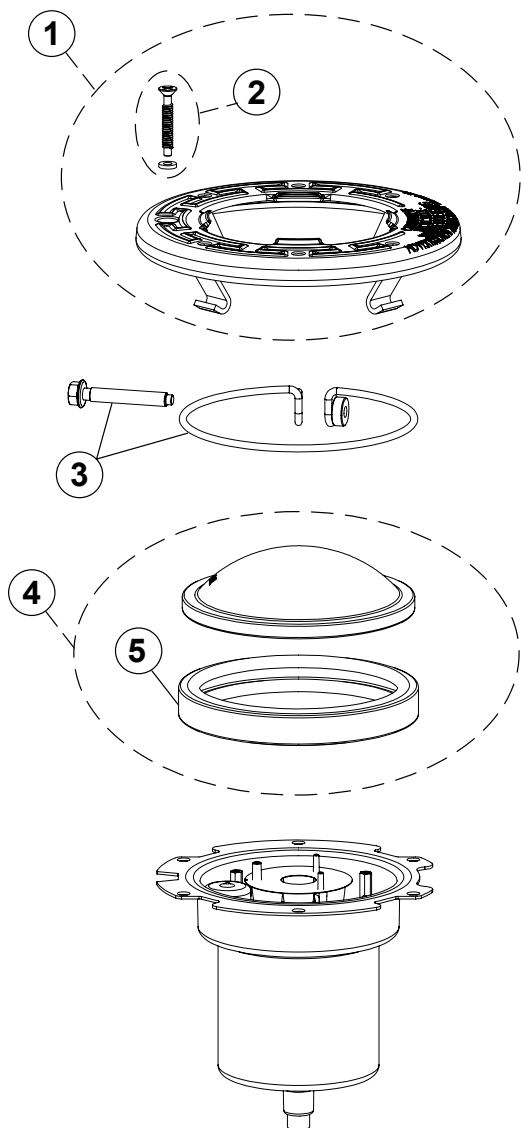
CALIFORNIA PROPOSITION 65 WARNING
 ⚠️ **WARNING:** Cancer and Reproductive Harm.
 ⚠️ **AVERTISSEMENT:** Peut Causer le Cancer et des Dommages au Système Reproducteur.
 ⚠️ **ADVERTENCIA:** Cáncer y Daño Reproductivo.
www.p65warnings.ca.gov PK020174A

Product on page 172–173.

INTELLIBRITE® ARCHITECTURAL SERIES

12V SPA LIGHTING REPLACEMENT PARTS

Item	Part No.	Description	US List	Can. List
INTELLIBRITE ARCHITECTURAL SERIES 12V POOL & SPA LIGHTING				
1	79111600	Face Ring Kit	134.10	161.13
2	9104800z	Pilot Screw, Brass	CALL	CALL
2	619355z	Pilot Screw, Stainless	6.94	8.34
3	79210400	Wire Clamp Kit	33.94	40.78
4	602176	Lens Kit	CALL	CALL
5	79108600z	Gasket Kit	52.96	63.64
—	See Below	Light Assembly	CALL	CALL



Model	Cord Length
WHITE LIGHT ASSEMBLY	
618015	30 ft. (9.2 m)
618016	50 ft. (15.2 m)
618017	100 ft. (30.5 m)
618018	150 ft. (45.7 m)

Model	Cord Length
WARM WHITE / TURTLE LIGHT ASSEMBLY	
602238	30 ft. (9.2 m)
602239	50 ft. (15.2 m)
602240	100 ft. (30.5 m)
602241	150 ft. (45.7 m)
602242 (Turtle)	150 ft. (45.7 m)

Model	Cord Length
COLOR LIGHT ASSEMBLY	
602197	30 ft. (9.2 m)
602198	50 ft. (15.2 m)
602199	100 ft. (30.5 m)
602200	150 ft. (45.7 m)
602248 (Royal Blue)	150 ft. (45.7 m)

CALIFORNIA PROPOSITION 65 WARNING

⚠ **WARNING:** Cancer and Reproductive Harm.
 ⚠ **AVERTISSEMENT:** Peut Causer le Cancer et des Dommages au Système Reproducteur.
 ⚠ **ADVERTENCIA:** Cáncer y Daño Reproductivo.

www.p65warnings.ca.gov
PAZ2015A

INTELLIBRITE® ARCHITECTURAL SERIES

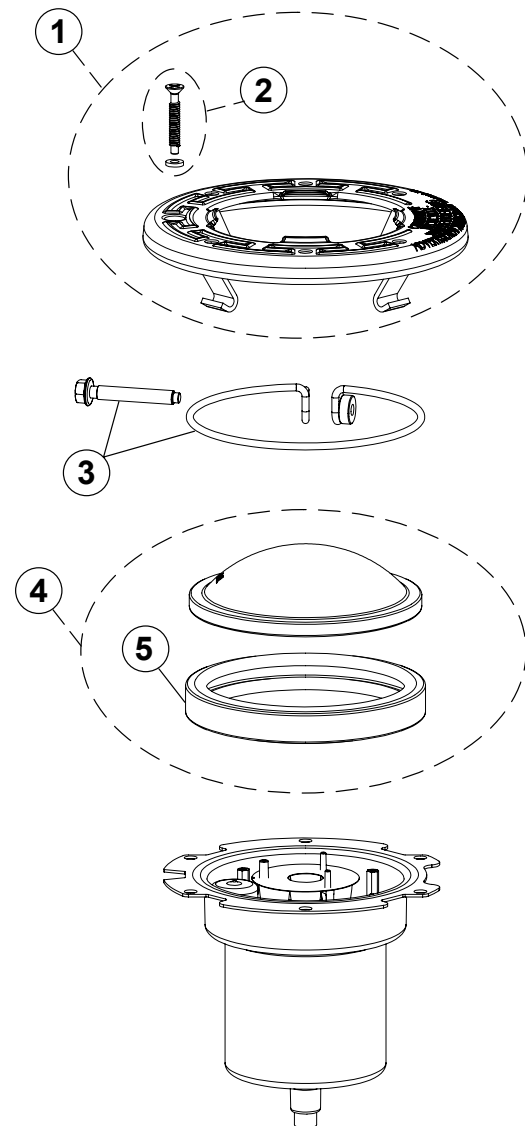
120V SPA LIGHTING REPLACEMENT PARTS

Item	Part No.	Description	US List	Can. List
INTELLIBRITE ARCHITECTURAL SERIES 12V POOL & SPA LIGHTING				
1	79111600	Face Ring Kit	134.10	161.13
2	79104800z	Pilot Screw, Brass	6.94	8.34
2	619355z	Pilot Screw, Stainless	6.94	8.34
3	79210400	Wire Clamp Kit	33.94	40.78
4	602176	Lens Kit	CALL	CALL
5	79108600z	Gasket Kit	52.96	63.64
—	See Below	Light Assembly	CALL	CALL

Model	Cord Length
WHITE LIGHT ASSEMBLY	
602193	30 ft. (9.2 m)
602194	50 ft. (15.2 m)
602195	100 ft. (30.5 m)
602196	150 ft. (45.7 m)
602209	250 ft. (76.2 m)

Model	Cord Length
WARM WHITE / TURTLE LIGHT ASSEMBLY	
602225	30 ft. (9.2 m)
602226	50 ft. (15.2 m)
602227	100 ft. (30.5 m)
602228	150 ft. (45.7 m)
602229	250 ft. (76.2 m)
602231 (Turtle)	150 ft. (45.7 m)

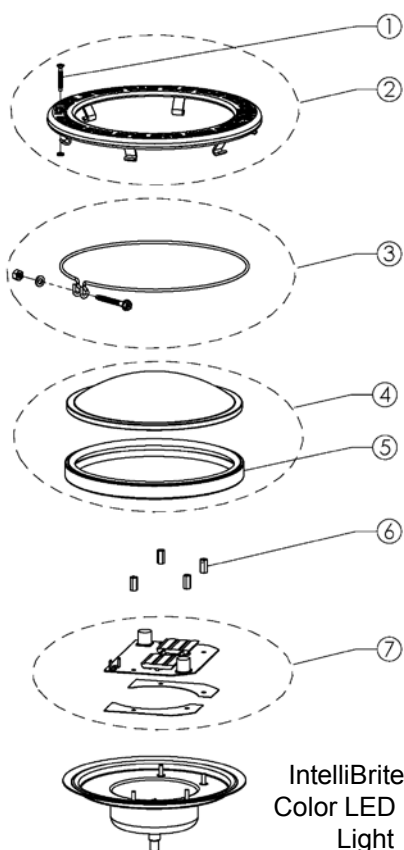
Model	Cord Length
COLOR LIGHT ASSEMBLY	
602201	30 ft. (9.2 m)
602202	50 ft. (15.2 m)
602203	100 ft. (30.5 m)
602204	150 ft. (45.7 m)
602205	250 ft. (76.2 m)
602249 (Royal Blue)	150 ft. (45.7 m)



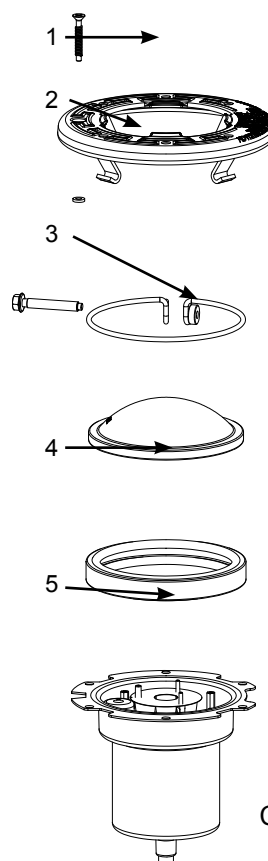
CALIFORNIA PROPOSITION 65 WARNING
 ⚠️ **WARNING:** Cancer and Reproductive Harm.
 ⚠️ **AVERTISSEMENT:** Peut Causer le Cancer et des Dommages au Système Reproducteur.
 ⚠️ **ADVERTENCIA:** Cáncer y Daño Reproductivo.
www.p65warnings.ca.gov PR020124A

INTELLIBRITE® 5G COLOR LED LIGHTS

2ND GENERATION AFTER 2009 REPLACEMENT PARTS



IntelliBrite 5g
Color LED Pool
Light



IntelliBrite 5g
Color LED Spa
Light

CALIFORNIA PROPOSITION 65 WARNING

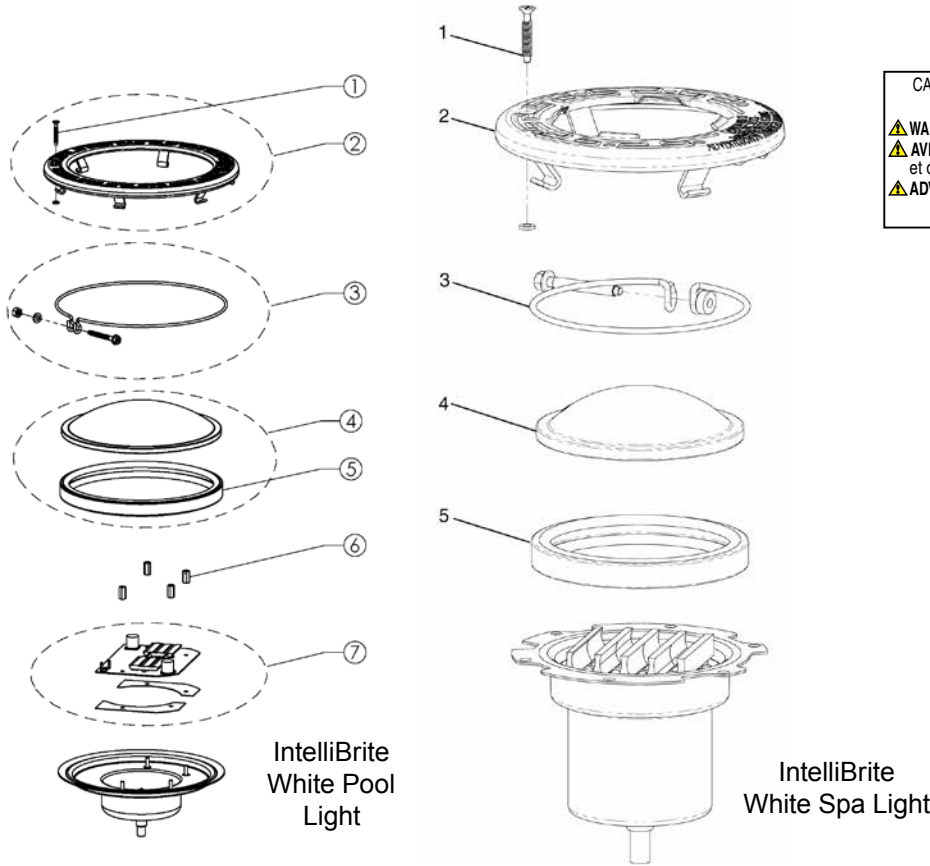
⚠ **WARNING:** Cancer and Reproductive Harm.
 ⚠ **AVERTISSEMENT:** Peut Causer le Cancer et des Dommages au Système Reproducteur.
 ⚠ **ADVERTENCIA:** Cáncer y Daño Reproductivo.
www.p65warnings.ca.gov

Item	Part No.	Description	US List	Can. List
INTELLIBRITE 5g COLOR LED POOL LIGHT				
	620276	Replacement fuse for 12V only lights	36.31	43.63
1	79104800Z	Pilot screw with captive gum washer, brass	6.94	8.34
1	619355Z	Pilot screw with captive gum washer, SS	6.94	8.34
2	79110600	Face ring assembly, SS	163.78	196.80
3	79111000	Uni-tension wire clamp assembly	97.76	117.47
4	619864Z	Lens and gasket assembly, tempered	137.38	165.08
5	620400Z	Gasket, 8-3/8 in. diameter, silicone	78.16	93.92
6	620141	Nut, retaining	CALL	CALL
7	619818Z	Light engine kit, color 2nd generation	1258.81	1512.59
1	79104800Z	Pilot Screw, with captive gum washer, brass	6.94	8.34
1	619355Z	Pilot screw with captive gum washer, SS	6.94	8.34
2	79111600	Face ring assembly, SS	134.10	161.13
3	79210400	Uni-tension wire clamp assembly w/ welded nut	33.94	40.78
4	640046	Lens and gasket assembly, tempered	123.34	148.21
5	79108600	Gasket, white, silicone	CALL	CALL

Note: IntelliBrite Spa light has no user serviceable parts inside.

INTELLIBRITE® 5G WHITE LED LIGHTS

2ND GENERATION AFTER 2010 REPLACEMENT PARTS

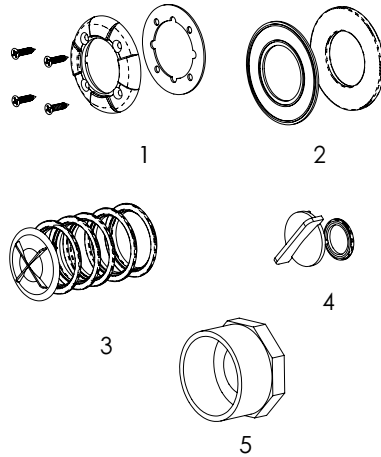


Item	Part No.	Description	US List	Can. List
INTELLIBRITE WHITE LED POOL LIGHTS				
	620276	Replacement fuse for 12V only lights (For lights built after Oct. 2015)	36.31	43.63
1	79104800Z	Pilot screw with captive gum washer, brass	CALL	CALL
1	619355Z	Pilot screw with captive gum washer, SS	6.94	8.34
1	600095	Face ring, clamp, and gasket kit	165.61	199.00
2	79110600	Face ring assembly, SS	163.78	196.80
3	79111000	Uni-tension wire clamp assembly	97.76	117.47
4	619864Z	Lens and gasket assembly, tempered	137.38	165.08
5	620400Z	Gasket, 8-3/8 in. diameter, silicone	78.16	93.92
6	620141	Nut, retaining	CALL	CALL
	619875Z	IntelliBrite 5g white LED 300w replacement engine	956.73	1149.61
	619916Z	IntelliBrite 5g white LED 400w replacement engine	988.78	1188.12
	619917Z	IntelliBrite 5g white LED 500w engine	1063.64	1278.07
INTELLIBRITE WHITE LED SPA LIGHTS				
1	79104800Z	Pilot Screw, with captive gum washer, brass	6.94	8.34
1	619355Z	Pilot screw with captive gum washer, SS	6.94	8.34
2	79111600	Face ring assembly, S/S	134.10	161.13
3	79210400	Uni-tension wire clamp assembly w/ welded nut	33.94	40.78
	640046	Lens Kit (includes items 4 and 5)	123.34	148.21
5	79108600	Gasket, white, silicone	CALL	CALL

Note: IntelliBrite Spa light has no user serviceable parts inside.

GLOBRITE® WHITE AND COLOR LED LIGHTS

REPLACEMENT PARTS

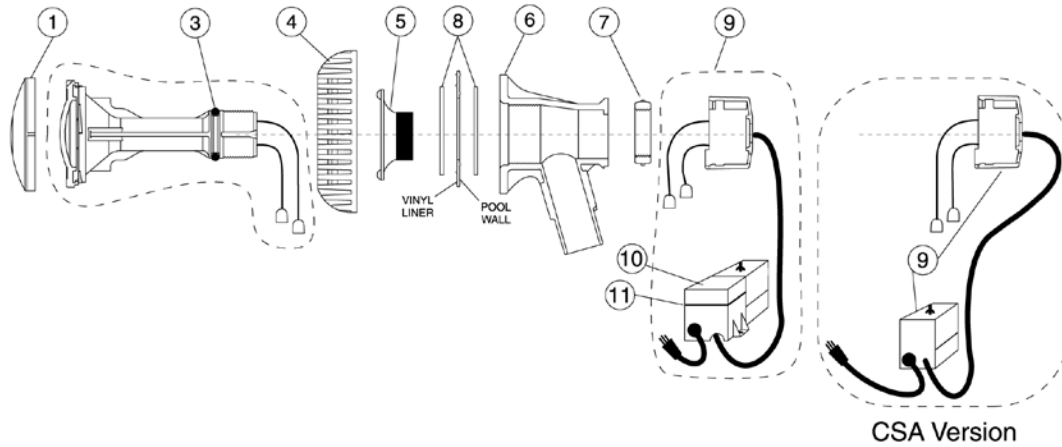


Item	Part No.	Description	US List	Can. List
GLOBRITE LED LIGHTS				
1	620054	GloBrite vinyl replacement kit (Gasket, Screws, Face Plate in White, Blue and Grey)	57.92	69.60
2	620055	GloBrite fiberglass replacement kit (washer, gasket)	38.53	46.30
3	620056	GloBrite gunite/concrete niche color ring replacement kit (color rings, plastic cover)	57.92	69.60
4	620057	GloBrite O-ring replacement kit (GloBrite O-ring, insertion tool, O-ring lubricant)	48.25	57.98
5	620058	GloBrite nut replacement kit (fiberglass/vinyl nut)	57.92	69.60
	602138	White Faceplate Kit (12 screws, 3 gaskets, 3 faceplates)	57.92	69.60
	602137	Gray Faceplate Kit (12 screws, 3 gaskets, 3 faceplates)	57.92	69.60
	602136	Blue Faceplate Kit (12 screws, 3 gaskets, 3 faceplates)	57.92	69.60

Product on pages 176–177.

AQUALUMINATOR® / QUASAR LIGHTS

REPLACEMENT PARTS



Item	Part No.	Description	US List	Can. List
AQUALUMINATOR / QUASAR				
1	619551	Plastic lens cover kit	27.91	33.54
1	619518	Lens Luxury Green	CALL	CALL
1	79123401	Lens Luxury Blue	11.74	14.11
3	79116900	O-ring	9.55	11.48
4	79102800Z	Flow director	66.94	80.44
5	79118300Z	Wall flange, threaded	130.61	156.94
6	79126900	Fitting body	119.34	143.40
7	79116600	Nut	27.83	33.44
8	79116800	Gasket, 2 req.	22.02	26.46
9	83000000	Transformer assembly with cord and cap	409.13	491.61
9	79103502	Transformer assembly with cord and cap, Canada only	503.01	604.42
10	619552	J-Box assembly	55.83	67.09
11	79401000	J-Box gasket	12.72	15.28
11	79110700	Spacer, mounting	13.93	16.74

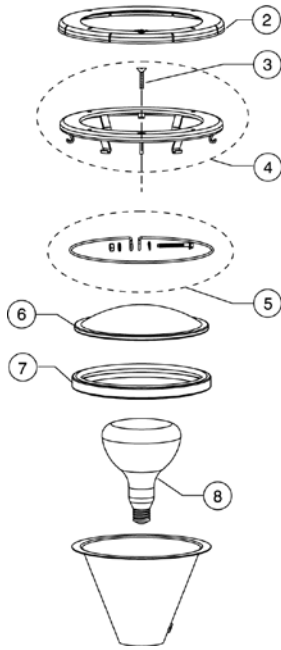
CALIFORNIA PROPOSITION 65 WARNING

⚠️ **WARNING:** Cancer and Reproductive Harm.
 ⚠️ **AVERTISSEMENT:** Peut Causer le Cancer et des Dommages au Système Reproducteur.
 ⚠️ **ADVERTENCIA:** Cáncer y Daño Reproductivo.

www.p65warnings.ca.gov
PR2017A1

AMERLITE®

LIGHTS REPLACEMENT PARTS

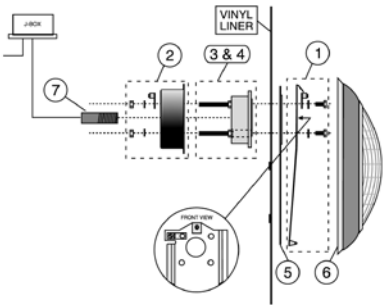


Item	Part No.	Description	US List	Can. List
AMERLITE LIGHTS				
2	79212165	Face ring, lg. plastic, SS only, grey	17.96	21.58
2	79212111	Face ring, lg. plastic, SS only, black	17.96	21.58
3	79104800Z	Pilot screw with captive gum washer, brass	6.94	8.34
3	619355Z	Pilot screw with captive gum washer, SS	6.94	8.34
4	79110600	Face ring assembly, SS	163.78	196.80
5	79111000	Uni-tension wire clamp assembly	97.76	117.47
6	79100100	Lens, clear 8-3/8 in. dia., tempered	CALL	CALL
6	79100200	Lens, medium blue 8-3/8 in. dia., tempered	139.62	167.77
7	79101600Z	Gasket for 8-3/8 in. lens	49.68	59.70
8	79102100	Floodlamp, medium base, 500 watt, 120 Volt	CALL	CALL
8	79102200	Floodlamp, medium base, 400 watt, 120 Volt	CALL	CALL

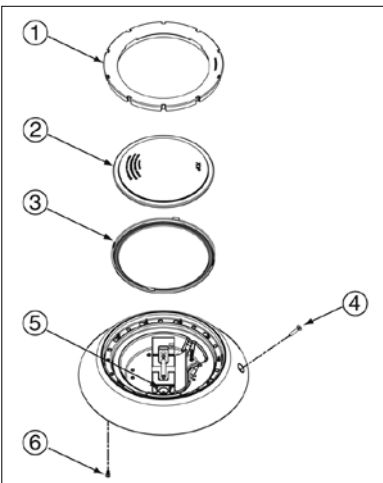
Product on page 179–180.

AQUALUMIN® III LIGHTS

REPLACEMENT PARTS



Item	Part No.	Description	US List	Can. List
AQUALUMIN III LIGHTS				
1	619547	Wall mounting bracket assembly	178.77	214.81
2	619548	Metal bracket cup assembly	75.93	91.24
3	619549	Mounting hub 3/4 in. assembly	143.02	171.85
4	619550	Mounting hub 1 in. assembly	143.02	171.85
5	78872600	Mounting spacer ¹	CALL	CALL
6	619617Z	Housing spacer	39.74	47.75
7	86001800	Nipple, 1 in.	42.79	51.42



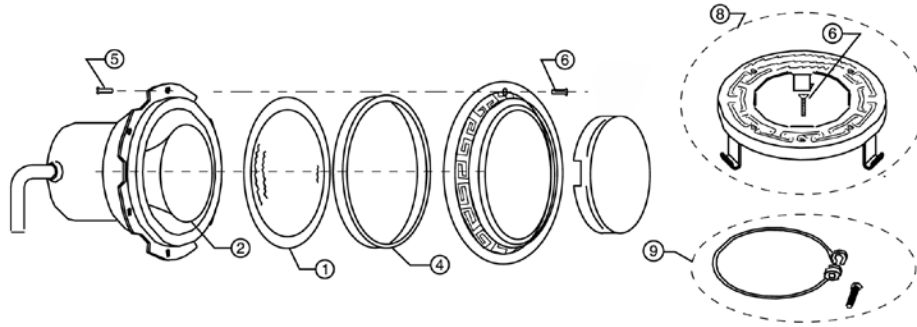
LIGHT ASSEMBLY PARTS				
1	619601	Face Ring, White	CALL	CALL
3	619599Z	Gasket Lens Replacement	39.74	47.75
4	78889900	Captive Screw	5.47	6.57
6	619792	Sealing screws (10 required)	0.58	0.70
NOT SHOWN				
	600140	Kwik change lens set (set of 3)	CALL	CALL
	600141	Lens Replacement Kit	CALL	CALL

CALIFORNIA PROPOSITION 65 WARNING

⚠ **WARNING:** Cancer and Reproductive Harm.
 ⚠ **AVERTISSEMENT:** Peut Causer le Cancer et des Dommages au Système Reproducteur.
 ⚠ **ADVERTENCIA:** Cáncer y Daño Reproductivo.
www.p65warnings.ca.gov

SPABRITE® / AQUALIGHT® - LIGHTS

REPLACEMENT PARTS



Item	Part No.	Description	US List	Can. List
SPABRITE / AQUALIGHT - LIGHTS				
1	79107800	Lens, clear, 4 in. dia., tempered	CALL	CALL
2	79113800Z	250 watt Halogen Quartz screw base, (AquaLight) ²	CALL	CALL
4	79108500Z	Gasket for 4 in. dia. lens, off white, (SpaBrite)	23.53	28.27
4	79108600	Gasket, white, silicone 100 watt, 250 watt, (AquaLight)	CALL	CALL
5	98208600	Screw, SS 10-24 x 3/8 in., 6 req., chrome-brass	CALL	CALL
6	79104800Z	Pilot screw with captive gum washer, brass	6.94	8.34
6	619355Z	Pilot screw with captive gum washer, SS	6.94	8.34
8	79111600	Face ring assembly, SS	134.10	161.13
9	79210400	Uni-tension wire assembly SS w/ welded nut	33.94	40.78

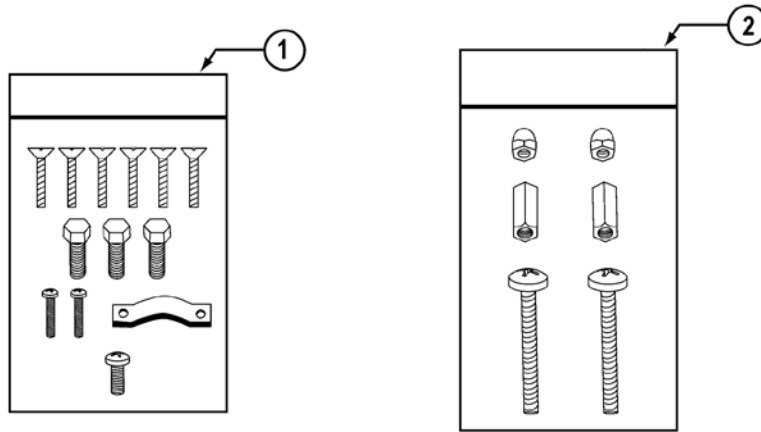
¹ Used on lights manufactured after 5-91.

² Used on lights manufactured after 1-98.

CALIFORNIA PROPOSITION 65 WARNING
 ⚠️ **WARNING:** Cancer and Reproductive Harm.
 ⚠️ **AVERTISSEMENT:** Peut Causer le Cancer et des Dommages au Système Reproducteur.
 ⚠️ **ADVERTENCIA:** Cáncer y Daño Reproductivo.
www.p65warnings.ca.gov PH.201714A

FOUNTAIN FIXTURES

REPLACEMENT PARTS



Item	Part No.	Description	US List	Can. List
FOUNTAIN FIXTURES				
1	570004	Fountain fixture screw kit	26.81	32.21
2	570011	Fountain niche mount screw kit	17.92	21.53

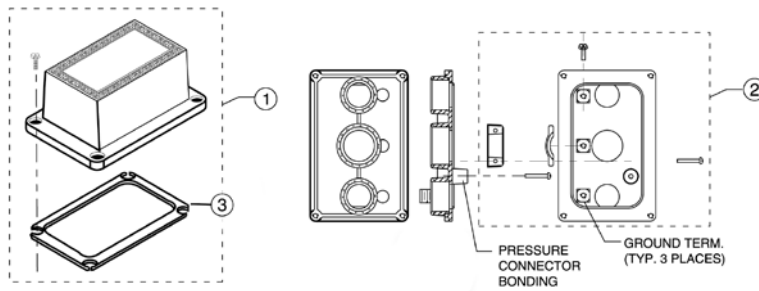
CALIFORNIA PROPOSITION 65 WARNING

⚠️ **WARNING:** Cancer and Reproductive Harm.
 ⚠️ **AVERTISSEMENT:** Peut Causer le Cancer et des Dommages au Système Reproducteur.
 ⚠️ **ADVERTENCIA:** Cáncer y Daño Reproductivo.
www.p65warnings.ca.gov

Product on page 181.

JUNCTION BOXES

REPLACEMENT PARTS



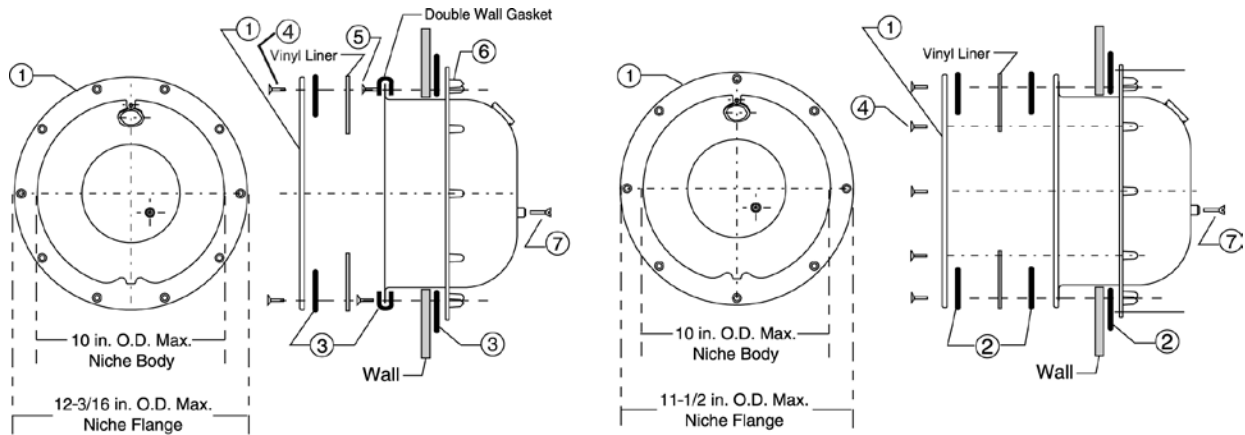
Item	Part No.	Description	US List	Can. List
JUNCTION BOXES				
1	619553	Lexan J-Box cover kit	78.99	94.91
2	79301800	1/2 in. J-Box screw kit	CALL	CALL
2	79301900	3/4 in. J-Box screw kit (also for 1 in.)	CALL	CALL
3	79300600	Gasket	13.09	15.73

CALIFORNIA PROPOSITION 65 WARNING

⚠️ **WARNING:** Cancer and Reproductive Harm.
 ⚠️ **AVERTISSEMENT:** Peut Causer le Cancer et des Dommages au Système Reproducteur.
 ⚠️ **ADVERTENCIA:** Cáncer y Daño Reproductivo.
www.p65warnings.ca.gov

PENTAIR LARGE STAINLESS STEEL NICHES

REPLACEMENT PARTS



Standard 10 Hole Pattern
for vinyl or fiberglass

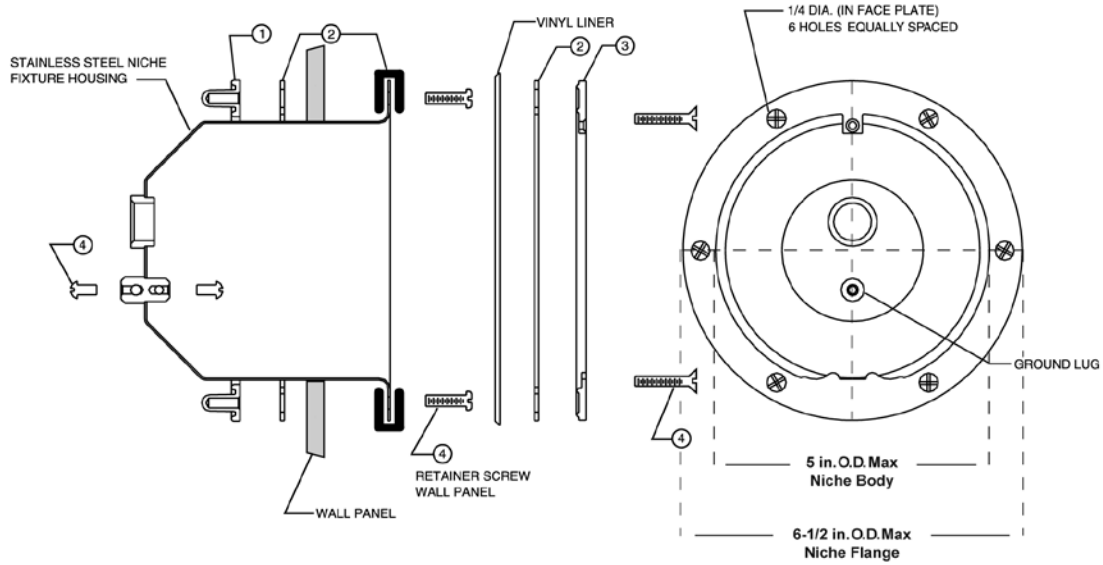
American 8 Hole Pattern

Item	Part No.	Description	US List	Can. List
PENTAIR LARGE STAINLESS STEEL NICHES				
1	79200100	Liner-sealing ring, American 8 hole	225.71	271.21
1	79200200	Liner-sealing ring, std. 10 hole	192.16	230.90
2	79200300	Gasket, set, American 8 hole pattern	73.84	88.73
3	79200700	Gasket, set, std. 10 hole pattern, w/ double wall gasket	136.11	163.55
4	98202600	Screw, sealing 1/4-20 x 1 in. Phillips flat head	CALL	CALL
4	98202700	Screw, sealing 1/4-20 x 1-1/4 in. Phillips flat head	CALL	CALL
5	98204200	Screw, retainer, fillister head, 12-24 x 3/4 in.	2.94	3.53
6	634595	Back-up ring, std. 10 hole pattern	170.85	205.29
7	98204400	Screw, grounding 10-24 x 1/2 in.	3.68	4.42
NOT SHOWN				
	79211600Z	Plaster ring, for gunite niche, pool	85.48	102.71
	79205100	Screw kit, niche, American 8 hole	54.48	65.46
	79205200	Screw kit, niche, American 8 hole, extra long	54.48	65.46
	79205300	Screw kit, niche, std. 10 hole, 1 in.	CALL	CALL
	79205400	Screw kit, niche, std. 10 hole, 1-1/4 in.	CALL	CALL
	79226300	Screw kit, niche, std. 10 hole, 1-3/8 in.	CALL	CALL
	79200400	Gasket, set, std. 10 hole, w/o double wall gasket	97.20	116.80
	60028300	Bonding Lug Potting Sealant	CALL	CALL

CALIFORNIA PROPOSITION 65 WARNING
 ⚠️ **WARNING:** Cancer and Reproductive Harm.
 ⚠️ **AVERTISSEMENT:** Peut Causer le Cancer et des Dommages au Système Reproducteur.
 ⚠️ **ADVERTENCIA:** Cáncer y Daño Reproductivo.
www.p65warnings.ca.gov PN 201514

PENTAIR SMALL STAINLESS STEEL NICHES

REPLACEMENT PARTS



Item	Part No.	Description	US List	Can. List
PENTAIR SMALL STAINLESS STEEL NICHES				
1	79205600	Back-up ring	72.44	87.04
2	79207900	Gasket set, small niche, w/ double wall gasket	136.11	163.55
2	79204603	Gasket set, small niche, w/o double wall gasket	29.62	35.59
3	79206000	Sealing ring	120.82	145.18
4	79205500	Screw kit	CALL	CALL
NOT SHOWN				
	79203200	Plaster ring, for gunite niche, spa	CALL	CALL
	60028300	Bonding Lug Potting Sealant	CALL	CALL

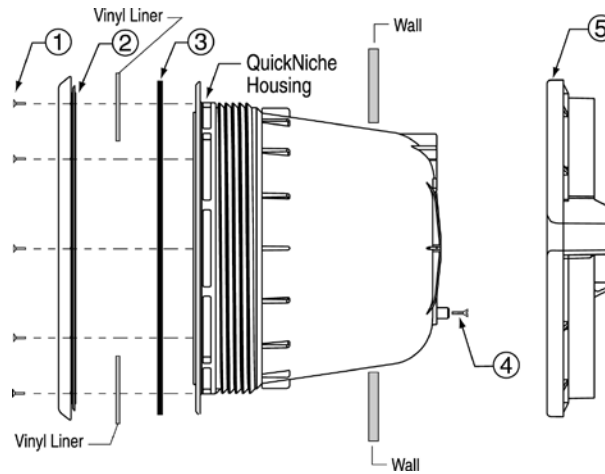
CALIFORNIA PROPOSITION 65 WARNING

⚠ **WARNING:** Cancer and Reproductive Harm.
 ⚠ **AVERTISSEMENT:** Peut Causer le Cancer et des Dommages au Système Reproducteur.
 ⚠ **ADVERTENCIA:** Cáncer y Daño Reproductivo.

www.p65warnings.ca.gov

QUICKNICHE™ VINYL LINER NICHE

REPLACEMENT PARTS



QuickNiche

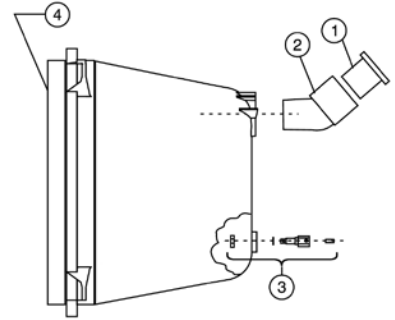
Item	Part No.	Description	US List	Can. List
QUICKNICHE				
1	630056	Screw kit, QuickNiche, 10 hole	CALL	CALL
2	630017	Sealing ring w/ gasket	CALL	CALL
3	630025	Gasket	CALL	CALL
4	990010	Screw, bonding 10-24 x 7/16 in.	2.36	2.84
5	630016	Lock ring	CALL	CALL
NOT SHOWN				
	619555	Bonding lug kit	40.24	48.35
	630022	Screw, pilot	CALL	CALL
	630023	Silicone packet DC 732 clear	25.28	30.38
	630047	Repair Kit for QuickNiche	73.37	88.16
	60028300	Bonding Lug Potting Sealant	CALL	CALL

CALIFORNIA PROPOSITION 65 WARNING
 ⚠️ **WARNING:** Cancer and Reproductive Harm.
 ⚠️ **AVERTISSEMENT:** Peut Causer le Cancer et des Dommages au Système Reproducteur.
 ⚠️ **ADVERTENCIA:** Cáncer y Daño Reproductivo.
www.p65warnings.ca.gov P65B0744

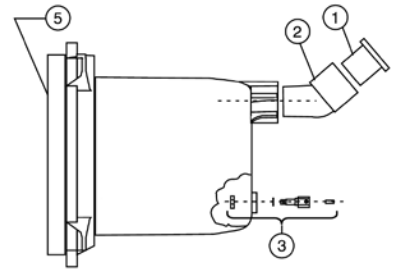
PLASTIC CONCRETE NICHES

REPLACEMENT PARTS

Item	Part No.	Description	US List	Can. List
PLASTIC CONCRETE NICHES				
1	619477	1 in. x 3/4 in. reducer	22.26	26.75
2	619476	45 deg. angle adapter	25.63	30.80
3	619555	Bonding lug kit	40.24	48.35
4	79206500	Large metal insert	CALL	CALL
5	79206300	Small metal insert	CALL	CALL
NOT SHOWN				
	990010	Screw, bonding 10-24 x 7/16 in.	2.36	2.84
	670044	Cord seal grommet kit, Qty 3	35.20	42.30
	670040	Cord seal cap	14.82	17.81
	60028300	Bonding Lug Potting Sealant	CALL	CALL



Large Plastic Niche



Small Plastic Niche

CALIFORNIA PROPOSITION 65 WARNING

⚠ **WARNING:** Cancer and Reproductive Harm.
 ⚠ **AVERTISSEMENT:** Peut Causer le Cancer et des Dommages au Système Reproducteur.
 ⚠ **ADVERTENCIA:** Cáncer y Daño Reproductivo.

www.p65warnings.ca.gov
P65019A

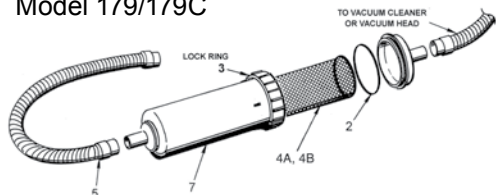
MAINTENANCE & SAFETY EQUIPMENT

Product Catalog 2024

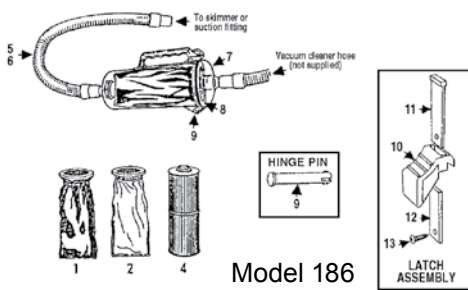
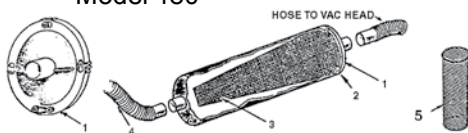
LEAF TRAPS - MODELS 179/179C, 180 & 186

REPLACEMENT PARTS

Model 179/179C



Model 180



Model 186



360476

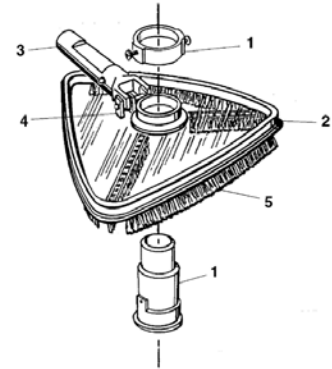
CALIFORNIA PROPOSITION 65 WARNING
 ⚠️ **WARNING:** Cancer and Reproductive Harm.
 ⚠️ **AVERTISSEMENT:** Peut Causer le Cancer et des Dommages au Système Reproducteur.
 ⚠️ **ADVERTENCIA:** Cáncer y Daño Reproductivo.
www.p65warnings.ca.gov PH 201514

Item	Part No.	Description	US List	Can.List
Model 179/179C				
2	R172223Z	O-ring No. 360	5.45	6.55
3	R172214	Lock ring	27.08	32.54
4	R211516	Std. mesh bag No. 179	20.72	24.90
4A	R211536	Canvas bag No. 179 and No. 186	58.01	69.70
4B	R211518	Sand/silt bag No. 179 and No. 186	41.00	49.27
5	R211256	3 ft. Flexible vacuum hose	35.84	43.07
Product No. : R211016				
Model No. : 180				
Description: Leaf Trap				
1	R211206	Lid No. 171	20.55	24.69
2	R18608	O-ring No. 256	13.36	16.05
3	R211216	Std. mesh bag No. 180	17.15	20.61
4	R211256	3 ft. flexible vacuum hose	35.84	43.07
Product No. : R211084 R211086 R211092 R211094				
Model No. : 186-A 186-B 186-C 186-D				
Description: Leaf Trap Leaf Trap Leaf Trap Leaf Trap				
1	R211516	Std. mesh bag No. 179	20.72	24.90
2	R211536	Canvas bag No. 179, No. 186	58.01	69.70
2A	R211518	Sand/silt bag	41.00	49.27
4	R172653	25 sq. ft. cartridge w/ plug	65.46	78.66
4A	R172654	50 sq. ft. cartridge w/ plug	113.53	136.42
5	R211256	3 ft. of 1-1/2 in. vacuum hose	35.84	43.07
6	R211260	3 ft. of 2 in. vacuum hose	51.03	61.32
7	R18650	Lid only 1-1/2 in.	44.00	52.87
7A	R18651	Lid only 2 in.	47.09	56.58
8	R172223Z	O-Ring	5.45	6.55
9	R18654	Hinge pin	2.24	2.69
10	R18648	Latch handle	8.82	10.60
11	R18655	Spring latch	2.24	2.69
12	R18656	Retainer spring latch	2.24	2.69
13	R01045	Screw No. 6 x 1/2 in.	2.24	2.69
13	R211600	Latch & O-ring kit (includes No. 8 through No. 13)	14.51	17.44
14	R18680	2 in. Canister & handle only	156.00	187.45
14A	R18682	1-1/2 in. Canister & handle only	156.00	187.45
Product No: 360476 Leaf Trap				
1	371208	Main body	77.89	93.59
2	371252	Lid	38.94	46.79
3	371253	Rubber seal	27.25	32.74
4	371254	Clasp	38.94	46.79
5	371255	Internal basket	38.94	46.79

CLEAR VIEW VACUUM - MODEL 196

REPLACEMENT PARTS

Item	Part No.	Description	US List	Can. List
Product No. : R201032 R201034				
Model No. : 196 196LW				
Description: CLEAR VIEW VACUUM				
1	R03183	Swivel hose connector parts kit	16.48	19.80
2	R03132	Vinyl replacement bumper	8.80	10.57
3	R201476	No. 192 Snap adapt handle	7.80	9.37
4	R03101Z	2-1/4 in. connecting pin	3.09	3.71
5	R201540	Replacement brushes	25.32	30.42



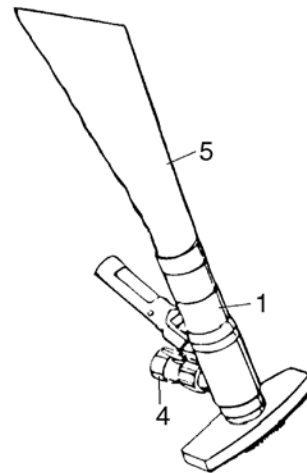
CALIFORNIA PROPOSITION 65 WARNING
 ⚠️ **WARNING:** Cancer and Reproductive Harm.
 ⚠️ **AVERTISSEMENT:** Peut Causer le Cancer et des Dommages au Système Reproducteur.
 ⚠️ **ADVERTENCIA:** Cáncer y Daño Reproductivo.
www.p65warnings.ca.gov PN320194

Product on page 206.

MINI VAC - MODEL 204

REPLACEMENT PARTS

Item	Part No.	Description	US List	Can. List
Product No. : R201146				
Model No. : 204				
Description: MINI VAC®				
5	R201696	Replacement bag	12.94	15.55
5A	R201718	Replacement bags, 2 per bubble pack	31.60	37.97
Opt.	R201716	Silt socks, 3 per bubble pack	13.60	16.34

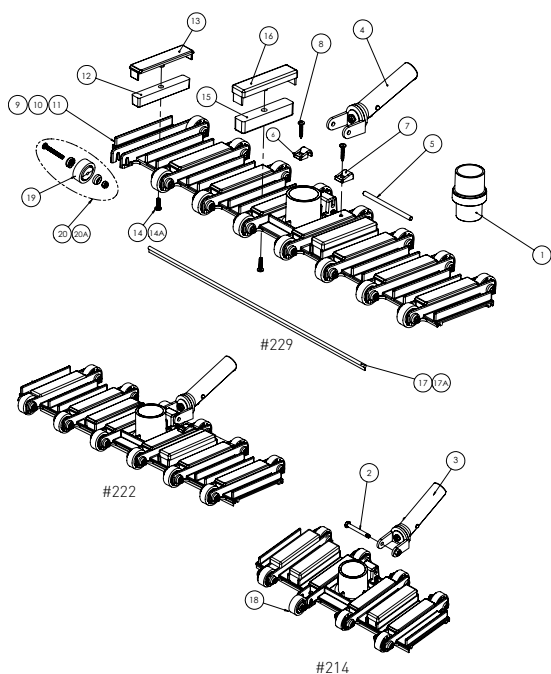


CALIFORNIA PROPOSITION 65 WARNING
 ⚠️ **WARNING:** Cancer and Reproductive Harm.
 ⚠️ **AVERTISSEMENT:** Peut Causer le Cancer et des Dommages au Système Reproducteur.
 ⚠️ **ADVERTENCIA:** Cáncer y Daño Reproductivo.
www.p65warnings.ca.gov PN320194

Product on page 208.

PROVAC® VACUUM - MODEL 214R, 222R, 214, 222, 229

REPLACEMENT PARTS



Item	Part No.	Description	US List	Can. List
Product No. : R201270 R201276 R201286 R201290 R201296				
Model No. : 214R 214 222 222R 229				
Description: PROVAC FLEXIBLE VACUUM				
1	R201566	Hose swivel adapter	6.70	8.05
2	R201496	Stainless steel nut & bolt for handle (No. 214, No. 214R & No. 222R)	2.80	3.36
3	R201476	No. 192 Snap-adapt handle (No. 214R, No. 222R)	7.80	9.37
4	R201408	No. 152 Metal swivel handle (No. 214, No. 222 & No. 229)	50.25	60.38
5	R03161	Stainless steel shaft (No. 222 & No. 229)	10.08	12.11
6	R03087	Left shaft retainer	2.24	2.69
7	R03088	Right shaft retainer	2.24	2.69
8	R01023	Screw, shaft retainer	2.24	2.69
9	R03152	Flexible body only (No. 214)	12.58	15.12
10	R03153	Flexible body only (No. 222)	36.54	43.91
11	R03154	Flexible body only (No. 229)	44.23	53.15
12	R02006	Lead only	9.07	10.90
13	R03128	Lead cover only	2.30	2.76
14	R01074	Screw, lead cover 5/8 in.	CALL	CALL
14A	R01075	Screw, lead cover 3/4 in.	2.24	2.69
15	R02009	Lead, large only	18.86	22.66
16	R03160	Lead cover, large only	8.82	10.60
17	R201776	White flex strip, short leg, 5 ft. bubble pack	10.10	12.14
17A	R201778	Blue flex strip, long leg, 5 ft. bubble pack	12.98	15.60
18	R03021Z	No. 174 Solid plastic wheel (No. 214R, No. 222R)	2.79	3.35
19	R201557Z	No. 175 Ball bearing polyurethane wheel	11.45	13.76
20	R201456	Axle assembly, does not include wheel (No. 214R, No. 222R)	4.75	5.71
20A	R201458	Axle assembly, does not include wheel (No. 214, No. 222, No. 229)	2.20	2.64

CALIFORNIA PROPOSITION 65 WARNING

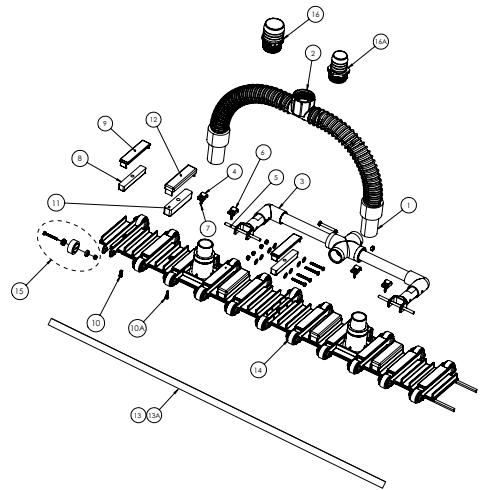
⚠ **WARNING:** Cancer and Reproductive Harm.
 ⚠ **AVERTISSEMENT:** Peut Causer le Cancer et des Dommages au Système Reproducteur.
 ⚠ **ADVERTENCIA:** Cáncer y Daño Reproductivo.
www.p65warnings.ca.gov

PK20175.A

SUPER PROVAC® VACUUM - MODEL 241

REPLACEMENT PARTS

Item	Part No.	Description	US List	Can. List
Product No. : R201298				
Model No. : 241				
Description: SUPER PROVAC FLEXIBLE VACUUM				
1	R201566	Hose swivel adapter	6.70	8.05
2	R201756	Manifold assembly	92.34	110.96
3	R201780	Handle joining assembly	131.17	157.61
4	R03087	Left shaft retainer	2.24	2.69
5	R03161	SS shaft	10.08	12.11
6	R03088	Right shaft retainer	2.24	2.69
7	R01023	Screws, shaft retainer	2.24	2.69
8	R02006	Lead only	9.07	10.90
9	R03128	Lead cover only	2.30	2.76
10	R01074	Screws, lead cover 5/8 in.	CALL	CALL
10A	R01075	Screws, lead cover 3/4 in.	2.24	2.69
11	R02009	Lead, large only	18.86	22.66
12	R03160	Lead cover, large only	8.82	10.60
13	R201776	White flex strip, short leg, 5 ft. bubble pack	10.10	12.14
13A	R201778	Blue flex strip, long leg, 5 ft. bubble pack	12.98	15.60
14	R201557Z	No. 175 Ball bearing polyurethane wheel	11.45	13.76
15	R201458	Axle assembly, does not include wheel	2.20	2.64
16	R03120	2 in. Insert male adapter	32.09	38.56
16A	R03121	1-1/2 in. Insert male adapter	11.20	13.46



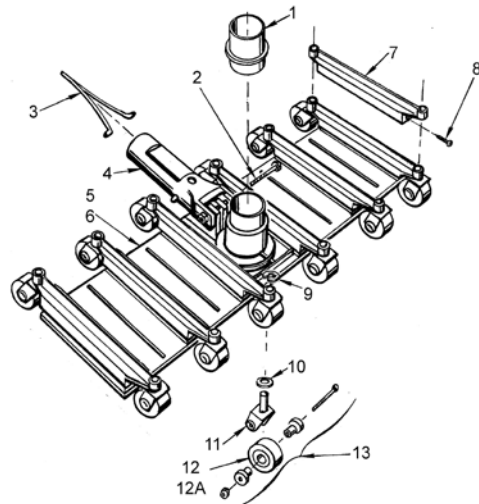
CALIFORNIA PROPOSITION 65 WARNING
 ⚠️ **WARNING:** Cancer and Reproductive Harm.
 ⚠️ **AVERTISSEMENT:** Peut Causer le Cancer et des Dommages au Système Reproducteur.
 ⚠️ **ADVERTENCIA:** Cáncer y Daño Reproductivo.
www.p65warnings.ca.gov PH 202173A

Product on page 207.

SWIVEL WHEEL FLEXIBLE VACUUMS - MODELS 250, 252

REPLACEMENT PARTS

Item	Part No.	Description	US List	Can. List
Product No. : R201126 R201136				
Model No. : 250 252				
Description: SWIVEL WHEEL FLEXIBLE VACUUM				
1	R201566	Hose swivel adapter	6.70	8.05
2	R201496	SS bolt and nut for handle	2.80	3.36
3	R22001Z	Spring clip w/High Performance Acetal Resin No. 170	2.93	3.52
4	R201476	Snap adapt handle w/ delrin clip No. 192	7.80	9.37
5	R03012	Flexible base 19 in. model No. 250	53.42	64.19
6	R03013	Flexible base 14 in. model No. 252	CALL	CALL
7	R03032	Caster support No. 265 ¹	8.82	10.60
8	R01023	Lead retainer screw ¹	2.24	2.69
9	R03058	SS retainer clip No. 267 ¹	8.82	10.60
10	R201626	Wheel adjustment washers No. 266 ¹	3.69	4.43
11	R03026	Swivel caster No. 263 ¹	8.82	10.60
12	R03021Z	Solid plastic wheel model No. 252 ¹	2.79	3.35
12A	R03022	Solid polyurethane wheel model No. 250 ¹	5.53	6.64
13	R201606	Axle assembly (less wheel) No. 264 ¹	4.95	5.95
13	R201500	No. 250 Replacement kit, (4 each) No. 177 wheels, No. 263 casters, No. 264 axle assembly, No. 267 clips, bubble pack card	32.73	39.33
13	R201451	No. 250 Replacement kit, (4 each) No. 174 wheels, No. 263 casters, No. 264 axle assembly, No. 267 clips, bubble pack card	22.19	26.66



¹ Parts fit Model No. 215 Swivel wheel commercial vacuum.

CALIFORNIA PROPOSITION 65 WARNING
 ⚠️ **WARNING:** Cancer and Reproductive Harm.
 ⚠️ **AVERTISSEMENT:** Peut Causer le Cancer et des Dommages au Système Reproducteur.
 ⚠️ **ADVERTENCIA:** Cáncer y Daño Reproductivo.
www.p65warnings.ca.gov PH 202174A

Product on page 207.

VACUUM HEAD PARTS



Product No.	Model No.	Description	Pack Qty.	Carton Wt. (Lbs.)
WHEELS				
174 SOLID MOLDED WHEEL FITS ALL VACUUMS 1-3/8 IN. WHITE WITH 3/8 IN. HOLE				
R03021Z	174	Molded wheel	1	
R201426	174	4 per card, bubble pack	12	2
177 POLYURETHANE DELUXE WHEEL 1-3/8 IN. TRANSLUCENT WITH 3/8 IN. HOLE				
R03022	177	Wheel	1	
R201446	177	4 per card, bubble pack	12	2
175 BALL BEARING WHEEL 1-3/8 IN. DIAMETER WITH 3/8 IN. HOLE, LONG WEARING POLYURETHANE WHEEL WITH DELRIN® INNER RACE AND STAINLESS STEEL BALLS				
R201557Z	175	Ball bearing	1	
R201558	175	4 per card, bubble pack	12	2
178 AXLE ASSEMBLY FOR No. 188, No. 200, No. 201, No. 188-20, No. 214R AND No. 222R				
R201456	178	Axle assembly	1	
R201466	178	4 sets per card, bubble pack	12	2
176 AXLE ASSEMBLY. FOR No. 203				
R201470	176	Axle assembly	1	
R201472	176	4 sets per card, bubble pack	12	2
REPLACEMENT KITS				
R201498	203	Replacement kit, No. 174 wheels, No. 176 axle assembly (4 each) bubble pack	12	
R201500	250	Replacement kit, (4 each) No. 177 wheels, No. 263 casters, No. 264 axle assembly, No. 267 clips, bubble pack	12	
R201451	252	Replacement kit, (4 each) No. 174 wheels, No. 263 casters, No. 264 axle assembly, No. 267 clips, bubble pack	12	
152 METAL SWIVEL VACUUM HANDLE. POLISHED CHROME FINISH. SNAP-ADAPT. FITS MOST VACS.				
R201408	152	Metal swivel handle	1	
R201409	152	1 per card, bubble pack.	12	
FLEX STRIPS FOR PROVAC MODELS				
R201776		White, bubble pack	12	
R201778		Blue, bubble pack	12	

Product No.	Model No.	Description	Pack Qty.	Carton Wt. (Lbs.)
154 METAL ONE PIECE HANDLE. POLISHED CHROME FINISH. SNAP-ADAPT. FITS MOST VACS.				
R201421	154	Metal handle	1	
R201420	154	1 per card, bubble pack	12	
192 SNAP-ADAPT HANDLE. TOUGH ABS WITH DELRIN® SPRING CLIP. FITS ALL VACS AND TELEPOLES.				
R201476	192	Snap adapt handle	1	
R201486	192	1 per card, bubble pack	12	2
R201492	192	With 2-1/4 in. pin, bubble pack	12	2
R201490	192	With 1-3/4 in. pin, bubble pack	12	2
170 DELRIN SPRING CLIP				
R22001Z	170	170 Spring clip	1	
R201556	170	3 per card, bubble pack	12	2
190 STAINLESS STEEL NUT & BOLT.				
R201496	190	For handle mounting	1	
HANDLE CONNECTION PINS				
R03086		1-3/4 in. long, For No. 193 Vac, No. 615	1	
R03101Z		2-1/4 in. long, For No. 185, No. 196, No. 198, No. 201, No. 203	1	
STAINLESS STEEL SPRING				
R03099		For No. 198, No. 201, No. 203	1	
MANIFOLD ASSEMBLY				
R201756		For No. 207, No. 215, No. 241	1	
HANDLE JOINING ASSEMBLY				
R201766		For No. 207, No. 215	1	
R201780		For No. 241	1	
REPLACEMENT BRUSHES				
R201526	193R	For No. 193, bubble pack	7	4
R201536	194R/195R	For No. 194 and No. 195, bubble pack	12	4
R201540	196R	For No. 196, bubble pack	12	
R201302	198R	For No. 198, bubble pack	12	4
PROVAC II WHEELS				
200086		Replacement Wheel Kit (4 per kit)		

CALIFORNIA PROPOSITION 65 WARNING

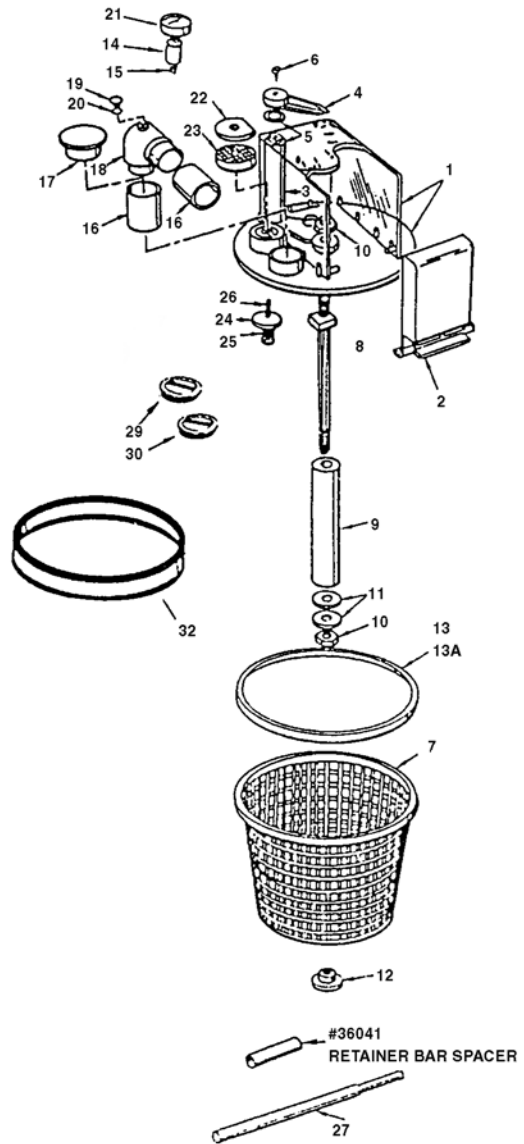
⚠️ **WARNING:** Cancer and Reproductive Harm.
 ⚠️ **AVERTISSEMENT:** Peut Causer le Cancer et des Dommages au Système Reproducteur.
 ⚠️ **ADVERTENCIA:** Cáncer y Daño Reproductivo.

www.p65warnings.ca.gov. PN 2017A

VAC-MATE® VACUUM/SKIMMER

REPLACEMENT PARTS

Item	Part No.	Qty.	Description	US List	Can. List
Product No. : R211100 Description: MULTIFUNCTION VACUUM SKIMMER ATTACHMENT					
1	R36026	1	Top housing & plate assembly (large) R211100	92.50	111.15
2	R36027	1	Weir assembly	8.80	10.57
3	R36028	1	Control shaft assembly	8.80	10.57
4	R36013	1	Control handle	8.82	10.60
5	R36022	2	Thrust washer	2.24	2.69
6	R01045	1	Control handle screw	2.24	2.69
7	R36009	1	Debris basket only R211100	20.31	24.40
8	R36017	1	Basket shaft R211100-5 1/2 in.	8.82	10.60
9	R36003	1	Lead weight	12.36	14.85
10	R01066	2	Hex nut 3/8-16	2.24	2.69
11	R36016	2	Spacer washer	2.30	2.76
12	R36024	1	Knob	8.82	10.60
13	R36002	1	Gasket, large, fits R36009 basket	8.34	10.02
13A	R36025	1	Gasket, Hayward style basket	8.36	10.05
14	R172204	1	Coupling, vacuum gauge R211101	CALL	CALL
15	R172050	1	Nipple, vacuum gauge R211101	CALL	CALL
16	R36030Z	2	Cuff	8.80	10.57
17	R36019	1	Cap plug	8.82	10.60
18	R36031	1	90° elbow	11.63	13.97
19	R172392	1	Plug 1/4 in. MPT	8.82	10.60
20	R172393	1	O-ring for R172392 plug	8.82	10.60
21	R36006	1	Vacuum gauge	57.11	68.62
22	R36023	1	Anti-Vortex plate	8.82	10.60
23	R36020	1	By-pass screen	8.82	10.60
24	R36018	1	Disc, by-pass	8.82	10.60
25	R36004	1	Spring, by-pass	8.82	10.60
26	R36021	1	Adjustment screw	2.24	2.69
27	R36033	1	Retainer bar, long, R211100	11.00	13.22
29	R22011	1	Threaded plug 2 in.	7.21	8.66
30	R22010Z	1	Threaded plug 1-1/2 in.	6.36	7.64
32	R36046	2	Gasket, Baker Hydro ring	9.12	10.96



CALIFORNIA PROPOSITION 65 WARNING
 ⚠️ WARNING: Cancer and Reproductive Harm.
 ⚠️ AVERTISSEMENT: Peut Causer le Cancer et des Dommages au Système Reproducteur.
 ⚠️ ADVERTENCIA: Cáncer y Daño Reproductivo.
www.p65warnings.ca.gov P#202174

PUMP PARTS

Product Catalog 2024

INTELLIFLO® & INTELLIPRO® PUMP DRIVE PART NUMBER HISTORY

REPLACEMENT PARTS

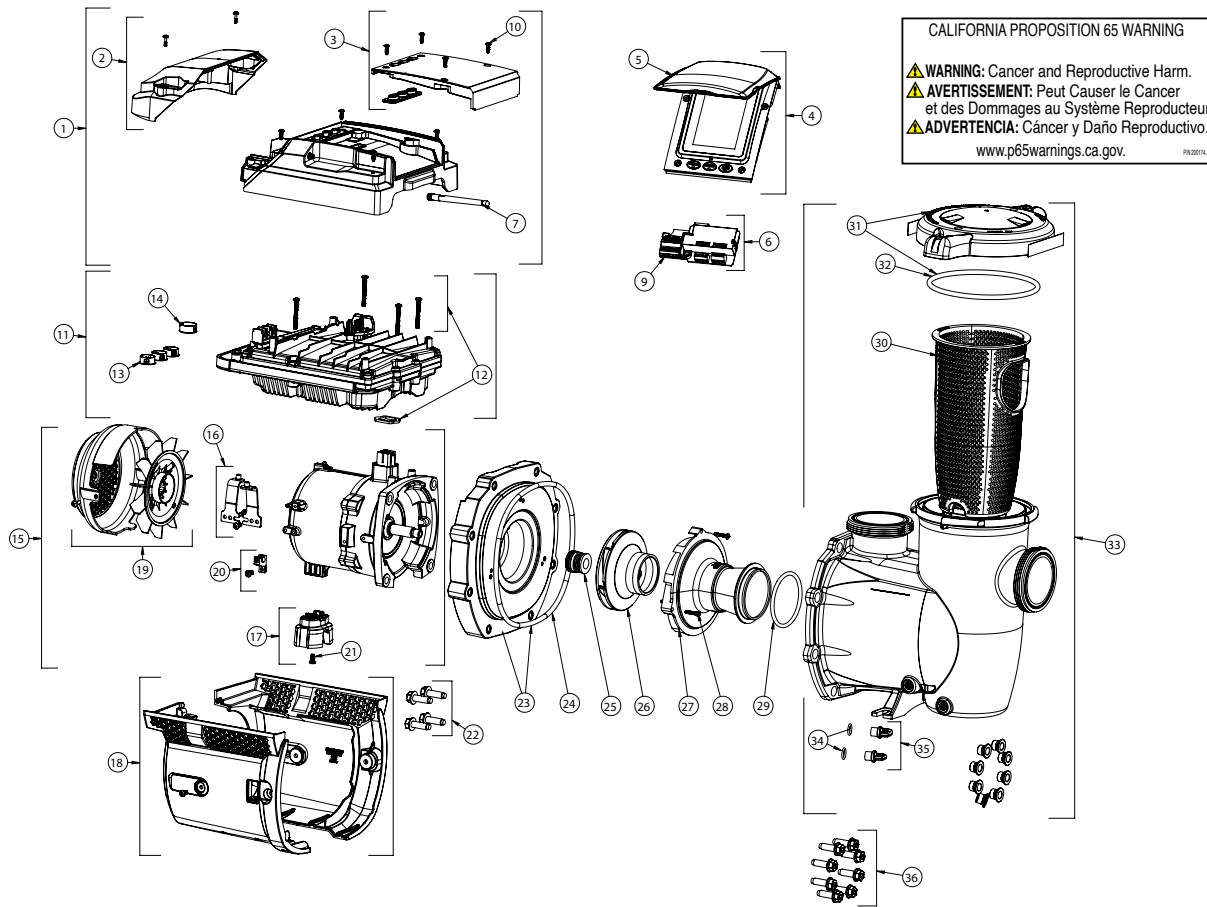
NOTE: The table below lists original drive kit part numbers and active replacement parts for the IntelliFlo and IntelliPro family pump product lines.

Pump Part No.	Pump Name	Pump Obsolete?	Original Drive Kit	Original Drive Available?	Current Drive Part No.	Current Keypad Part No.	Current Drive Kit
IntelliFlo Family Pump Product Line							
011008	IntelliFlo i1 <i>original</i>	Yes	353251	No	356878Z	357527Z	356879Z
011009	IntelliFlo i2 <i>original</i>	Yes	353251	No	356878Z	357527Z	356879Z
011018	IntelliFlo VS <i>original</i>	Yes	353251	No	356878Z	357527Z	356879Z
011017	IntelliFlo VS+SRVS <i>original</i>	Yes	351021	No	356910Z	357527Z	356911Z
011012	IntelliFlo VF	Yes	350721	No	356880Z	357527Z	356944Z
011059	IntelliFlo i1	No	356879Z	Yes	356878Z	357527Z	356879Z
011060	IntelliFlo i2	No	356879Z	Yes	356878Z	357527Z	356879Z
011055	IntelliFlo 2 VST	Yes	356879Z	Yes	356878Z	357527Z	356879Z
011028	IntelliFlo VS	No	356879Z	Yes	356878Z	357527Z	356879Z
011057	IntelliFlo VS+SVRS	No	356911Z	Yes	356910Z	357527Z	356911Z
011056	IntelliFlo VSF	No	356922Z	Yes	356944Z	357527Z	356971Z
022005	IntelliFloXF VS <i>original</i>	Yes	353251	No	356878Z	357527Z	356879Z
022055	IntelliFloXF VS	No	356879Z	Yes	356878Z	357527Z	356879Z
022056	IntelliFloXF VSF	No	357521Z	Yes	356896Z	357527Z	357521Z
IntelliPro Family Pump Product Line							
P6E6VS4H-209L	IntelliPro VS	No	353252	No	356892Z	358527Z	356893Z
P6E6XS4H-209L	IntelliPro VS+SVRS <i>original</i>	Yes	353250	No	356912Z	358527Z	356913Z
013001	IntelliPro 2 VST	Yes	356893Z	Yes	356892Z	358527Z	356893Z
013002	IntelliPro VS+SVRS	No	356913Z	Yes	356912Z	358527Z	356913Z
013004	IntelliPro VSF	No	353141Z	Yes	356657Z	358527Z	353141Z
023005	IntelliProXF VS <i>original</i>	Yes	353252	No	356892Z	358527Z	356893Z
023055	IntelliProXF VS	No	356893Z	Yes	356892Z	358527Z	356893Z
023056	IntelliProXF VSF	No	352032Z	Yes	356898Z	358527Z	352032Z

CALIFORNIA PROPOSITION 65 WARNING
 ⚠️ **WARNING:** Cancer and Reproductive Harm.
 ⚠️ **AVERTISSEMENT:** Peut Causer le Cancer et des Dommages au Système Reproducteur.
 ⚠️ **ADVERTENCIA:** Cáncer y Daño Reproductivo.
www.p65warnings.ca.gov P650174-1

INTELLIFLO3®

VARIABLE SPEED AND FLOW POOL PUMP REPLACEMENT PARTS



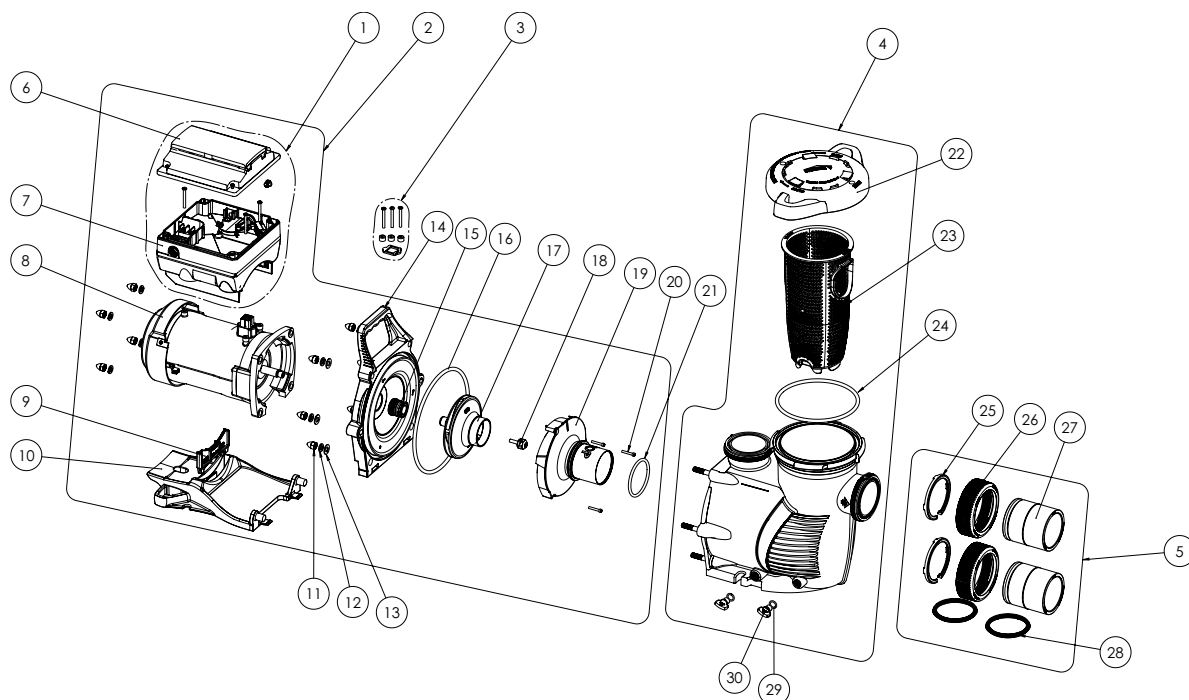
CALIFORNIA PROPOSITION 65 WARNING
 ⚠️ WARNING: Cancer and Reproductive Harm.
 ⚠️ AVERTISSEMENT: Peut Causer le Cancer et des Dommages au Système Reproducteur.
 ⚠️ ADVERTENCIA: Cáncer y Daño Reproductivo.
 www.p65warnings.ca.gov. P422071.1

Item	Part No.	Description	US List	Can. List
SYSTEM				
1	356214z	Drive Cover Assembly	415.89	499.73
2	356096z	Field Wiring Compartment Kit	41.59	49.97
3	356101z	Blank Controller Kit	41.11	49.40
4	356159z	Touchscreen Controller Kit	600.83	721.96
5	356099z	Touchscreen Lid	31.45	37.79
6	356365z	Relay Control Board Kit	358.78	431.11
7	356226z	Antenna	17.19	20.66
—	8023304	4-Pin Connector, RS-485	CALL	CALL
9	8023306	6-Pin Connector, Relay Control Board	CALL	CALL
10	356215z	Controller Screw (x4)	6.41	7.70
11	356163z	Drive and Drive Hardware Kit	1759.53	2114.25
12	357865	Drive Hardware Kit	19.20	23.07
13	356219z	7/8" Plug, Drive (x3)	7.45	8.95
14	356320z	1" Bushing, Low Voltage, Drive	7.45	8.95
15	356165s	Motor Kit	1279.66	1537.64
16	356167z	Motor Bracket Kit	16.00	19.23
17	356149z	Motor Foot Kit	11.20	13.46
18	357869	Motor Shroud Kit	95.97	115.32
19	357866z	Motor Fan Kit	63.99	76.89
20	356166z	Bonding Lug	14.19	17.05

Item	Part No.	Description	US List	Can. List
21	356221z	Motor Foot Screw	4.46	5.36
22	074165z	Motor Bolts (x4)	17.91	21.52
23	356091z	Seal Plate Kit	143.96	172.98
24	356173z	Seal Plate O-ring	11.51	13.83
25	356210s	Shaft Seal	49.29	59.23
26	356177z	Impeller	79.97	96.09
27	356156z	Diffuser	79.97	96.09
28	356213z	Diffuser Screws (x3)	10.87	13.06
29	356190z	Diffuser O-ring	5.95	7.15
30	400007z	Strainer Basket	53.43	64.20
31	356172z	Lid Assembly	89.57	107.63
32	356189z	Lid O-ring	26.87	32.29
33	356175z	Strainer Pot Kit	399.90	480.52
34	192115z	Drain Plug O-ring (x2)	3.90	4.69
35	071131z	Drain Plug and O-ring (x2)	9.51	11.43
36	074164z	Seal Plate-to-Strainer Pot Bolts (x8)	29.87	35.89
NOT SHOWN				
—	357872	Seal Kit	35.76	42.97
—	410028	2" / 2.5" Union Kit	84.77	101.86
—	410029	3" Union Kit	94.96	114.10
—	410016z	Union O-ring - Diamond Seal	18.28	21.97
—	357833z	Riser Plate Kit - Thin (A/B Base)	57.59	69.20

INTELLIFLOX[®] VSF PUMP INTELLIFLOX[®] VS PUMP - AFTER AUGUST 2015

REPLACEMENT PARTS



Item	Part No.	Description	US List	Can. List
INTELLIFLO PUMP				
1	357521Z	Drive Kit (VSF model)	CALL	CALL
1	356879Z	Drive Kit (VS model)	2207.96	2653.08
2	400655Z	Power End Kit (VS model)	3984.88	4788.23
3	355685	Drive Hardware Kit	167.05	200.73
4	400000	Wet End Assembly	485.54	583.42
5	410020	Union Kit w/o Tap	221.19	265.78
6	357527Z	Keypad Assembly Kit	527.74	634.13
7	356896Z	Drive (VSF model)	CALL	CALL
7	356878Z	Drive (VS model)	CALL	CALL
8	350305S	Motor	CALL	CALL
9	070929	Motor Support Insert	29.73	35.72
10	400004Z	Motor Base	59.26	71.21
11	071413	Acorn Nut (Qty. 10)	1.87	2.25
12	U43-12SS	Lock Washer (Qty. 10)	4.14	4.97
13	072184	Flat Washer (Qty. 6)	2.38	2.86
14	400002	Seal Plate	320.90	385.59
15	17351-0101S	Mechanical Seal	40.29	48.41
16	351446Z	Seal Plate O-Ring	CALL	CALL
17	400015Z	Impeller assembly (includes screw and washer)	195.58	235.01
18	37337-6080	Impeller Screw, Plastic-Head (pumps mfg. before 10/7/19)	29.74	35.74
18	356073	Impeller Screw, Metal-Head (pumps mfg. after 10/7/19)	11.64	13.99
19	400010	Diffuser	140.43	168.74

Item	Part No.	Description	US List	Can. List
20	353323	Diffuser Screws	5.06	6.08
21	350336Z	Diffuser O-Ring	CALL	CALL
22	400006	Lid/Locking Ring Assembly	85.44	102.66
23	400007Z	Strainer Basket	53.43	64.20
24	35505-1440Z	Lid/Locking Ring O-Ring	CALL	CALL
25	410001	2.5" C-Clip Locking Ring (Qty. 2)	10.83	13.01
26	411000	2.5" Union Nut (Qty. 2)	29.72	35.71
27	410002	2.5" Union Adapter w/o Tap (Qty. 2)	51.26	61.59
28	410016Z	2.5" Diamond Seal Kit (Qty. 2)	18.28	21.97
29	192115Z	Drain Plug O-Ring (Qty. 2)	3.90	4.69
30	071131Z	Drain Plug (2 req.)	9.51	11.43

NOT SHOWN				
	356904Z	Keypad Relocation Kit	114.71	137.84
	400031Z	Seal Plate w/Mech Seal	310.77	373.42
	350122Z	50 Ft. Communication Cable	CALL	CALL
	352401	Motor Fan Kit	268.24	322.32
	072172	Impeller screw washer	0.38	0.46

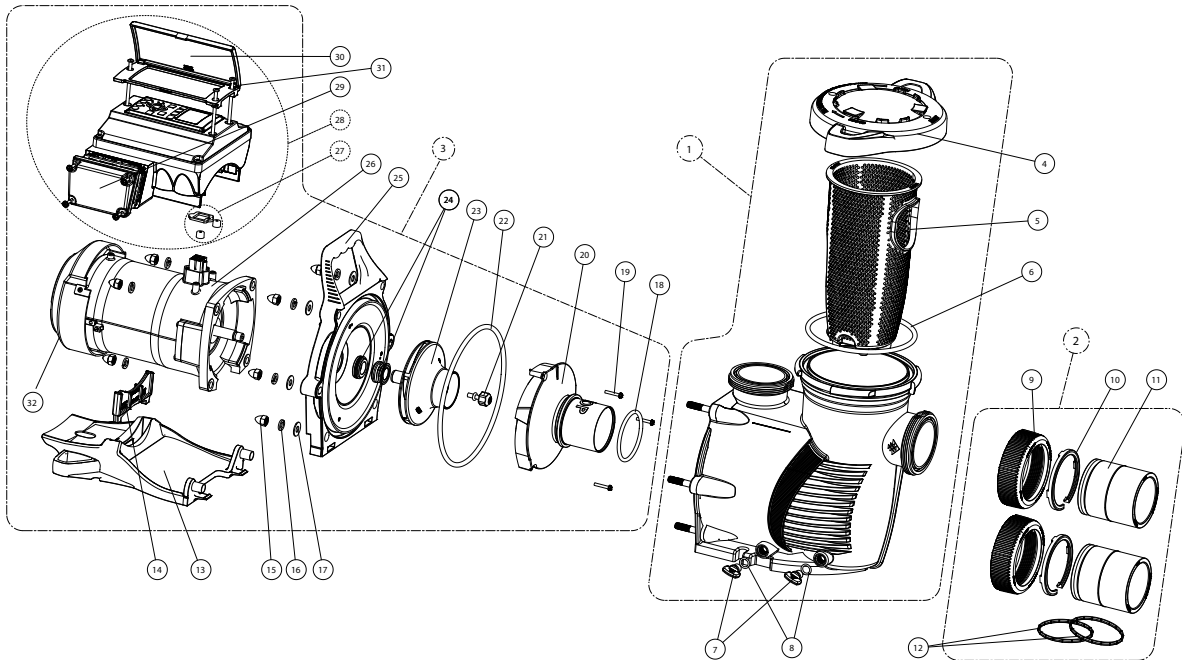
CALIFORNIA PROPOSITION 65 WARNING

⚠ **WARNING:** Cancer and Reproductive Harm.
 ⚠ **AVERTISSEMENT:** Peut Causer le Cancer et des Dommages au Système Reproducteur.
 ⚠ **ADVERTENCIA:** Cáncer y Daño Reproductivo.

www.p65warnings.ca.gov

INTELLIFLOXF® VARIABLE SPEED PUMP - BEFORE AUGUST 2015

REPLACEMENT PARTS



Item	Part No.	Description	US List	Can. List
INTELLIFLOXF PUMP				
1	400000	Wet End Assembly	485.54	583.42
2	410020	Union Kit	221.19	265.78
3	400605Z	Power End Assy w/ Drive & Motor	CALL	CALL
4	400006	Lid/Locking Ring Assy	85.44	102.66
5	400007Z	XF Series Replacement Basket	53.43	64.20
6	35505-1440Z	Lid/Locking Ring O-Ring	CALL	CALL
7	071131Z	Drain Plug (2 req.)	9.51	11.43
8	192115Z	Drain Plug O-ring (2 req.)	3.90	4.69
9	411000	2.5 in. Union Nut	29.72	35.71
10	410001	2.5 in. C-Clip Locking Ring	10.83	13.01
11	410002	2.5 in. Union Adapter	51.26	61.59
12	410016Z	2.5 in. Seal Kit - (Includes 2)	18.28	21.97
13	400004Z	Motor Base	59.26	71.21
14	357160	Motor Support Insert- Black	29.73	35.72
15	071413	Acorn Nut (each)	1.87	2.25
16	U43-12SS	Split Lock Washer (each)	4.14	4.97
17	072184	Flat Washer (each)	2.38	2.86
18	350336Z	Diffuser O-ring	CALL	CALL
19	353323	Diffuser Screw	5.06	6.08
20	400010	Diffuser	140.43	168.74

Item	Part No.	Description	US List	Can. List
21	37337-6080	Impeller Screw, Plastic-Head (pumps mfg. before 10/7/19)	29.74	35.74
22	351446Z	Seal Plate O-Ring	CALL	CALL
23	400015Z	Impeller assembly (includes screw and washer)	195.58	235.01
24	17351-0101S	Mechanical Seal Assembly	40.29	48.41
25	400002	Seal Plate	320.90	385.59
26	350105S	Motor Kit	CALL	CALL
27	350612	Drive Hardware and Gasket Kit (includes item #31)	167.05	200.73
28	356879Z	Variable Speed Drive Assy Kit	2207.96	2653.08
29	350621	Field Wiring Comp Kit w/ Gasket	31.36	37.68
30	350601	Control Cover Assy Kit (incl. item #27) ¹	334.66	402.13
30	400100	Control Cover Assy Kit (incl. item #27) ²	334.66	402.13
31	350107	Screw 10-24 x 3-1/4 in. PH MS 18-8SS (Qty. 3)	6.47	7.77
32	352401	Motor Fan Kit (contains Fan, Shroud, Hardware)	268.24	322.32
NOT SHOWN				
400031Z		Seal Plate Kit w/ Mech Seal	310.77	373.42
400012		Riser Plate XF to Challenger	102.52	123.19
350122Z		50 Ft. Communication Cable	CALL	CALL

¹ Used on pumps manufactured before 12/23/13

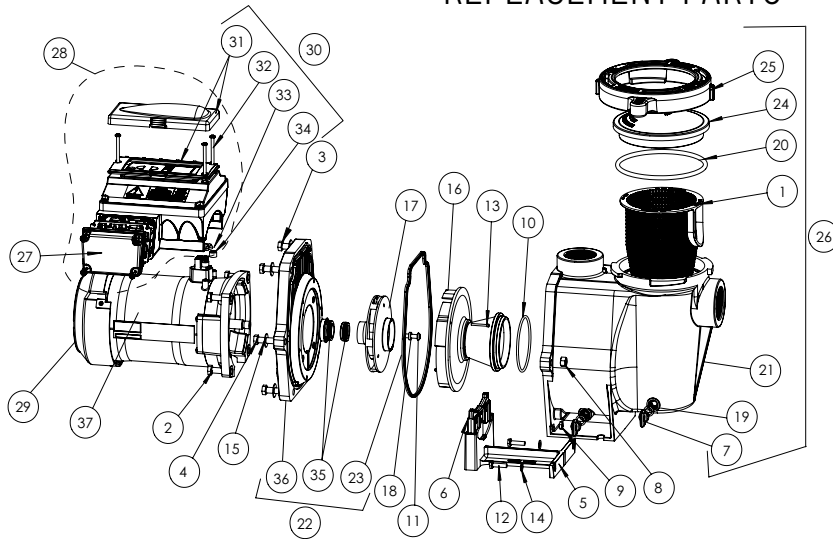
² Used on pumps manufactured after 12/23/13 to present

CALIFORNIA PROPOSITION 65 WARNING

⚠ **WARNING:** Cancer and Reproductive Harm.
 ⚠ **AVERTISSEMENT:** Peut Causer le Cancer et des Dommages au Système Reproducteur.
 ⚠ **ADVERTENCIA:** Cáncer y Daño Reproductivo.

www.p65warnings.ca.gov

INTELLIFLO® VF PUMP REPLACEMENT PARTS



CALIFORNIA PROPOSITION 65 WARNING
 ⚠️ **WARNING:** Cancer and Reproductive Harm.
 ⚠️ **AVERTISSEMENT:** Peut Causer le Cancer et des Dommages au Système Reproducteur.
 ⚠️ **ADVERTENCIA:** Cáncer y Daño Reproductivo.
 www.p65warnings.ca.gov. P650074A

Item	Part No.	Description	US List	Can. List
INTELLIFLO VF PUMP				
1	070387Z	Basket WF	25.85	31.06
2	070429Z	Bolt, 3/8-16 X 7/8 SS Hex Head 18-8, 4 req.	4.86	5.84
3	070430Z	Bolt, 3/8-16 x 1-1/4 hex cap 18-8 S/S, 4 req.	CALL	CALL
4	070431	Bolt, 3/8-16 x 2 hex cap 18-8 S/S, 2 req.	4.25	5.11
5	070927	Foot WF, pump motor support, almond	59.26	71.21
6	070929	Foot insert WF pump, almond	29.73	35.72
7	071131Z	Plug drain WFE, almond, (2 req.)	9.51	11.43
8	071403	Nut, 3/8-16 brass nickel plated, 2 req.	CALL	CALL
9	071406Z	Nut, 1/4-20 hex S/S, 2 req.	12.37	14.86
10	355227Z	O-ring #238, 3.484 x .139, buna N 70	5.04	6.06
11	071652Z	Screw, 1/4, 20 x 1 LH phillips pan MS 18-8 S/S, 1 req.	4.86	5.84
12	071657Z	Screw, 1/4-20 x 1 in. hex cap 18-8 S/S, 2 req.	4.86	5.84
13	071660Z	Screw set, 4-40 x 1-1/8 WFE sckt cap 18-8 S/S, 2 req.	5.04	6.06
14	072183	Washer, flat 1/4 x 5/8 20GA thick 18-8 S/S, 2 req.	2.38	2.86
15	072184	Washer, 3/8 ID x 7/8 OD .05 thick 18-8 S/S, 6 req.	2.38	2.86
16	072928Z	Diffuser assembly, black	58.37	70.14
17	073131Z	Impeller, IntelliFlo	CALL	CALL
18	075713Z	Rubber washer, WFE pump, 1 req.	CALL	CALL
19	192115Z	O-ring 112, .487 x .103 buna -N 70, 2 req.	3.90	4.69
20	350013Z	O-ring lid CH/WF 2-436, 1 req.	5.83	7.01
21	350015Z	Housing WFE, almond	CALL	CALL
22	350202	Seal plate kit, almond w/ gasket (Items 23, 35, 36)	311.21	373.95
23	357100Z	Black Gasket for Seal plate	9.97	11.98
23	357102Z	Almond Gasket for Seal plate	CALL	CALL
24	357151Z	Lid, see thru WF.	45.21	54.32
24	357156	Lid, Chemical Resistant	104.66	125.76
25	357199Z	Clamp cam & ramp WF, almond	CALL	CALL
26	357243	Pot WF assy., almond (contains 1, 7 (qty. 2), 19 (qty. 2), 20, 21, 24, 25	738.09	886.89

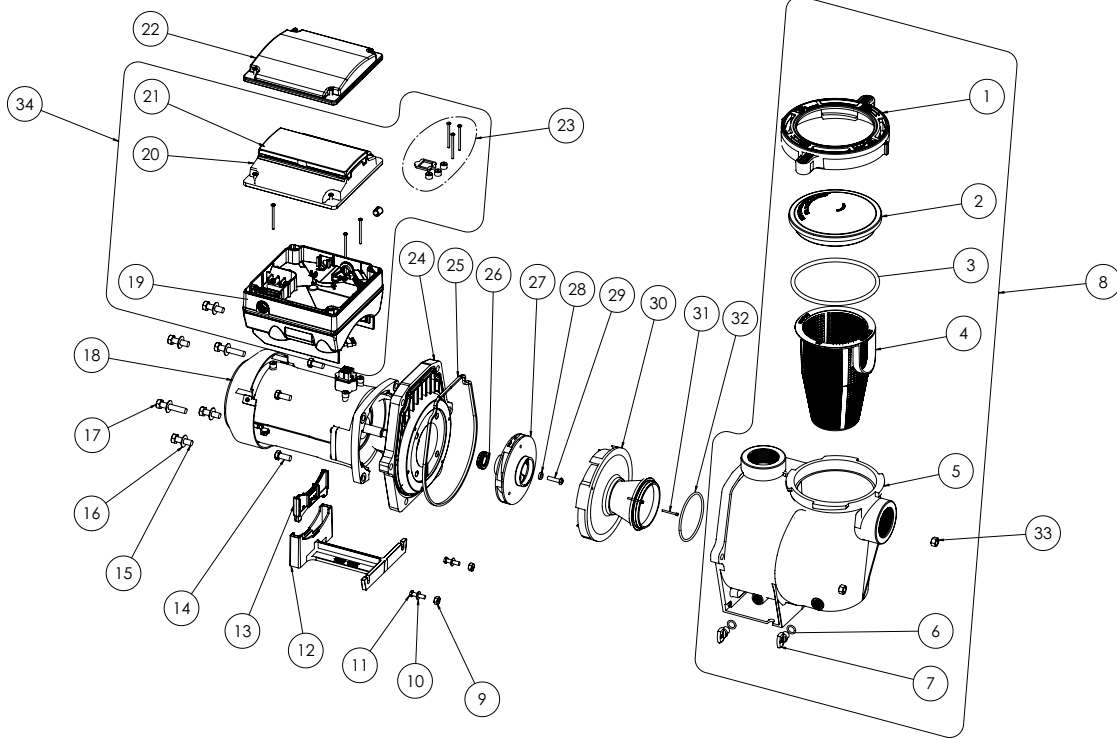
Item	Part No.	Description	US List	Can. List
27	350621	Junction Box Cover - Almond	31.36	37.68
28	350721	Drive IntelliFlo VF assy. kit, almond (contains drive VF, control cover assy.)	CALL	CALL
29	352401	Motor fan kit, almond (contains fan, shroud, hardware).	268.24	322.32
30	350601	Drive Control Cover assembly kit, almond (contains drive lid, screws, spacer caps, items 31, 32 (qty. 3), 33, 34 (qty. 3) ¹	334.66	402.13
30	400100	Drive Control Cover assembly kit, almond (contains drive lid, screws, spacer caps, items 31, 32 (qty. 3), 33, 34 (qty. 3) ²	334.66	402.13
31	350082	Control cover assembly (not sold individually - order item assy. kit item #30)	CALL	CALL
32	350107	Screw 10-24 x 3/4 in. PH MS 18-8 s/s (qty. 3)	6.47	7.77
33	350108	IntelliFlo drive gasket	13.44	16.15
34	350142	Spacer cap (qty. 3)	46.98	56.45
35	071734S	Seal Kit	46.83	56.27
	071732S	Mechanical Seal (ozone/salt resistant)	39.23	47.14
36	074564Z	Seal Plate - Almond	167.99	201.86
37	350105S	Motor VFD 3.2KW PMSM replacement, almond	CALL	CALL
NOT SHOWN				
	070112	Power end IntelliFlo VF (Contains items 2 (qty. 4), 10, 11, 13, 15, 16, 17, 18, 19, 22, 28, 37)	CALL	CALL
	350122Z	50 ft. Communication Cable	CALL	CALL
	357149	Almond Volute/Seal plate Replacement Kit (Items 1, 7 (Qty 2), 19 (Qty 2), 20, 21, 22, 23, 24, 25)	464.12	557.69
	350612	Hardware/gasket assy. kit (contains 3 screws, 3 spacer caps and drive gasket)	167.05	200.73
	357603	Union Kit (contains 2 complete unions for one pump, not included with pump).	172.60	207.40
	356198	WhisperFlo/IntelliFlo Quick Kit (includes 36, 32, 25, 6(x2), 3, and 28)	51.68	62.10
	350199	Seal Plate Kit (ozone/salt resistant)	303.94	365.21

¹ Used on pumps manufactured before 12/28/11

² Used on pumps manufactured after 12/28/11

INTELLIFLO® VSF PUMP/INTELLIFLO 2 VST PUMP INTELLIFLO VS PUMP - AFTER 2018

REPLACEMENT PARTS

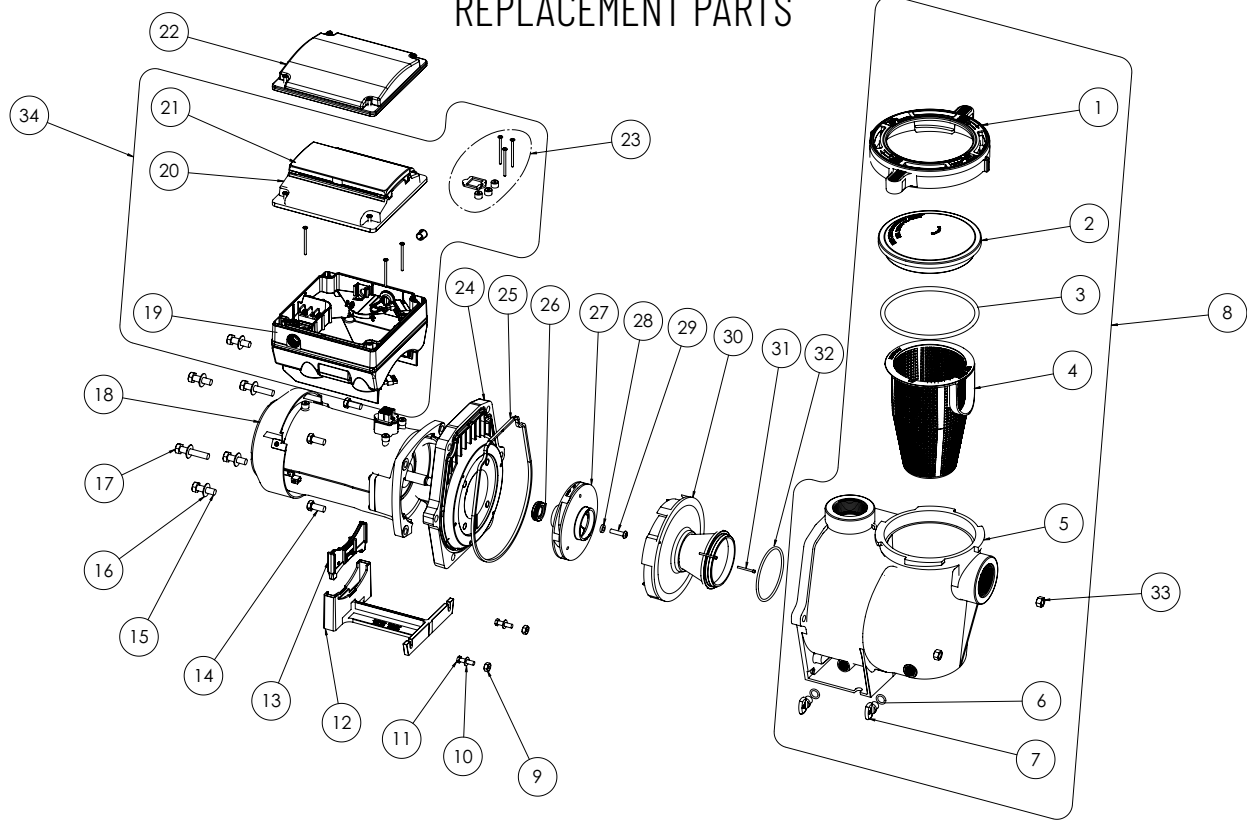


Item	Part No.	Description	US List	Can. List
INTELLIFLO PUMP				
1	357199Z	Clamp, Cam and Ramp	CALL	CALL
2	357151Z	See-through Lid	45.21	54.32
3	350013Z	Lid O-Ring	5.83	7.01
4	070387Z	Strainer Basket	25.85	31.06
5	350015Z	Volute WF	CALL	CALL
6	192115Z	O-Ring 112 for Drain Plug (Qty 2)	3.90	4.69
7	071131Z	Drain Plug WF (2 req.)	9.51	11.43
8	357243	Volute Kit (Contains items #1-7)	738.09	886.89
9	071406Z	Nut 1/4-20 Hex SS (Qty 2)	12.37	14.86
10	072183	Washer, Flat 1/4" ID x 5/8" OD (Qty 2)	2.38	2.86
11	071657Z	Screw 1/4-20 x 1" Hex Cap SS, 2 req.	4.86	5.84
12	070927	Foot WF	59.26	71.21
13	070929	Foot Insert WFE Pump Motor Support	29.73	35.72
14	070429Z	Bolt, 3/8-16 X 7/8 SS Hex Head 18-8, 4 req.	4.86	5.84
15	072184	Washer, Flat 3/8" ID x 7/8 OD (Qty 6)	2.38	2.86
16	070430Z	Bolt, Hex Head 3/8-16 x 1.25" (Qty 4)	CALL	CALL
17	070431	Bolt, Hex Head 3/8-16 x 2" (Qty 2)	4.25	5.11
18	350305S	Motor, 3.2 kW 10 Pole	CALL	CALL
19	356880Z	Drive (VSF model) (pumps mfg. before 10/2020)	CALL	CALL
19	356944Z	Drive (VSF model) (pumps mfg. after 10/2020)	CALL	CALL
19	356878Z	Drive (2VST and VS models)	CALL	CALL
20	357527Z	Keypad Assembly Kit (Contains item #21)	527.74	634.13
21	400100	Keypad Cover	334.66	402.13
22	356904Z	Keypad Relocation Kit (Contains Keypad Relocation cable and Blank Drive Cover)	114.71	137.84

Item	Part No.	Description	US List	Can. List
23	355685	Drive Hardware Kit (Contains Drive Screws, Drive Gasket and Screw Caps)	167.05	200.73
24	074564Z	Seal Plate	167.99	201.86
25	357100Z	Seal Plate Gasket	9.97	11.98
26	071734S	Mechanical Seal	46.83	56.27
26	071732S	Mechanical Seal (ozone/salt resistant)	39.23	47.14
27	073131Z	Impeller (pumps mfg. before 10/2020)	CALL	CALL
27	356237	Impeller (pumps mfg. after 10/2020)	CALL	CALL
28	075713Z	Rubber Washer, Impeller Set Screw	CALL	CALL
29	071652Z	Impeller Set Screw 1/4-20 LH Thread	4.86	5.84
30	072928Z	Diffuser (pumps mfg. before 10/2020)	58.37	70.14
30	356238	Diffuser (pumps mfg. after 10/2020)	CALL	CALL
31	071660Z	Diffuser Set Screw 4-40 x 1-1/8, 2 req.	5.04	6.06
32	355227Z	Diffuser O-Ring	5.04	6.06
33	071403	Nut 3/8" Brass, Nickel Plated (Qty 2)	CALL	CALL
34	356922Z	Drive Kit (VSF model) (Incl. Items #19-23)	2207.96	2653.08
34	356971Z	Drive Kit (VSF Model mfg. after 11/20) (Incl. items #19-23)"	CALL	CALL
34	356879Z	Drive Kit (2VST and VS models) (Incl. Items #19-23)	2207.96	2653.08
NOT SHOWN				
	350122Z	50 Ft. Communication Cable	CALL	CALL
	350202	Seal Plate Kit w/Mechanical Seal (Incl. Items #24, 25 and 26)	311.21	373.95
	354044	Power End - (2VST and VS models)	3690.48	4434.48
	356198	WhisperFlo/IntelliFlo Quick Kit (includes 26, 32, 25, 6(x2), 3 and 28)	51.68	62.10
	357603	Union Kit (Incl. 2 complete unions for 1 pump - Not included with pump)	172.60	207.40
	350199	Seal Plate Kit (Ozone/Salt resistant)	303.94	365.21
	352401	Motor Fan Kit	268.24	322.32

INTELLIFLO® VS+SVRS PUMP - AFTER JUNE 2016

REPLACEMENT PARTS



Item	Part No.	Description	US List	Can. List
INTELLIFLO VS+SVRS PUMP				
1	357199Z	Clamp, Cam and Ramp	CALL	CALL
2	357151Z	See-through Lid	45.21	54.32
3	350013Z	Lid O-Ring	5.83	7.01
4	070387Z	Strainer Basket	25.85	31.06
5	350015Z	Volute WF	CALL	CALL
6	192115Z	O-Ring 112 for Drain Plug (Qty 2)	3.90	4.69
7	071131Z	Drain Plug WF (2 req.)	9.51	11.43
8	357243	Volute Kit (Contains items #1-7)	738.09	886.89
9	071406Z	Nut 1/4-20 Hex SS (Qty 2)	12.37	14.86
10	072183	Washer, Flat 1/4" ID x 5/8" OD (Qty 2)	2.38	2.86
11	071657Z	Screw 1/4-20 x 1" Hex Cap SS, 2 req.	4.86	5.84
12	070927	Foot WF	59.26	71.21
13	070929	Foot Insert WFE Pump Motor Support	29.73	35.72
14	070429Z	Bolt, 3/8-16 X 7/8 SS Hex Head 18-8, 4 req.	4.86	5.84
15	072184	Washer, Flat 3/8" ID x 7/8 OD (Qty 6)	2.38	2.86
16	070430Z	Bolt, Hex Head 3/8-16 x 1.25" (Qty 4)	CALL	CALL
17	070431	Bolt, Hex Head 3/8-16 x 2" (Qty 2)	4.25	5.11
18	350305S	Motor, 3.2 kW 10 Pole	CALL	CALL
19	356910Z	Drive	CALL	CALL
20	357527Z	Keypad Assembly Kit (Contains item #21)	527.74	634.13
21	400100	Keypad Cover	334.66	402.13
22	356904Z	Keypad Relocation Kit (Contains Keypad Relocation cable and Blank Drive Cover)	114.71	137.84

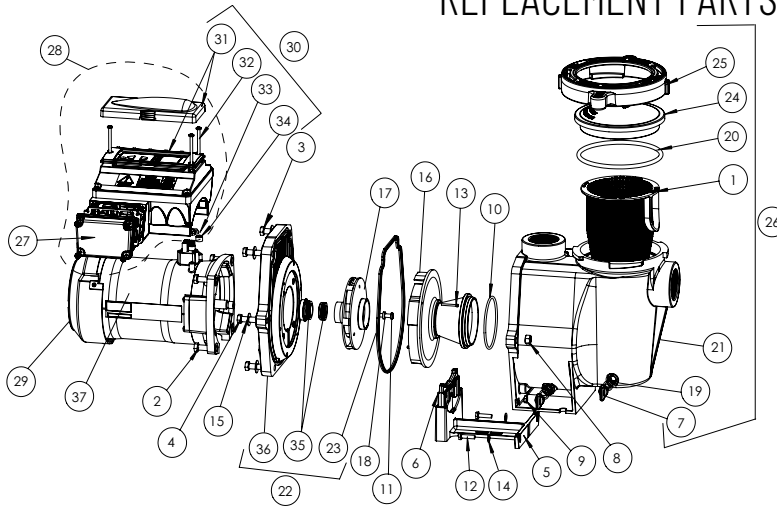
Item	Part No.	Description	US List	Can. List
23	355685	Drive Hardware Kit (Contains Drive Screws, Drive Gasket and Screw Caps)	167.05	200.73
24	074564Z	Seal Plate	167.99	201.86
25	357100Z	Seal Plate Gasket	9.97	11.98
26	071734S	Mechanical Seal	46.83	56.27
26	071732S	Mechanical Seal (ozone/salt resistant)	39.23	47.14
27	073131Z	Impeller (pumps mfg. before 10/2020)	CALL	CALL
27	356237	Impeller (pumps mfg. after 10/2020)	CALL	CALL
28	075713Z	Rubber Washer, Impeller Set Screw	CALL	CALL
29	071652Z	Impeller Set Screw 1/4-20 LH Thread	4.86	5.84
30	072928Z	Diffuser (pumps mfg. before 10/2020)	58.37	70.14
30	072928Z	Diffuser (pumps mfg. after 10/2020)	58.37	70.14
31	071660Z	Diffuser Set Screw 4-40 x 1-1/8, 2 req.	5.04	6.06
32	355227Z	Diffuser O-Ring	5.04	6.06
33	071403	Nut 3/8" Brass, Nickel Plated (Qty 2)	CALL	CALL
34	356911Z	Drive Kit (Incl. Items #19-23)	CALL	CALL
NOT SHOWN				
	350122Z	50 Ft. Communication Cable	CALL	CALL
	350202	Seal Plate Kit w/Mechanical Seal (Incl. Items #24, 25 and 26)	311.21	373.95
	357603	Union Kit (Incl. 2 complete unions for 1 pump - Not included with pump)	172.60	207.40
	356198	Whisper/IntelliFlo Quick Kit (Includes 26, 32, 25, 6(x2), 2 and 28)	51.68	62.10
	350199	Seal Plate Kit (Ozone/Salt resistant)	303.94	365.21
	352401	Motor Fan Kit	268.24	322.32

CALIFORNIA PROPOSITION 65 WARNING

⚠ **WARNING:** Cancer and Reproductive Harm.
 ⚠ **AVERTISSEMENT:** Peut Causer le Cancer et des Dommages au Système Reproducteur.
 ⚠ **ADVERTENCIA:** Cáncer y Daño Reproductivo.
www.p65warnings.ca.gov

INTELLIFLO® VARIABLE SPEED PUMP- BEFORE 2019 INTELLIFLO VS+SVRS PUMP - BEFORE JUNE 2016

REPLACEMENT PARTS



CALIFORNIA PROPOSITION 65 WARNING
 ⚠ WARNING: Cancer and Reproductive Harm.
 ⚠ AVERTISSEMENT: Peut Causer le Cancer et des Dommages au Système Reproducteur.
 ⚠ ADVERTENCIA: Cáncer y Daño Reproductivo.
 www.p65warnings.ca.gov. FN202171A

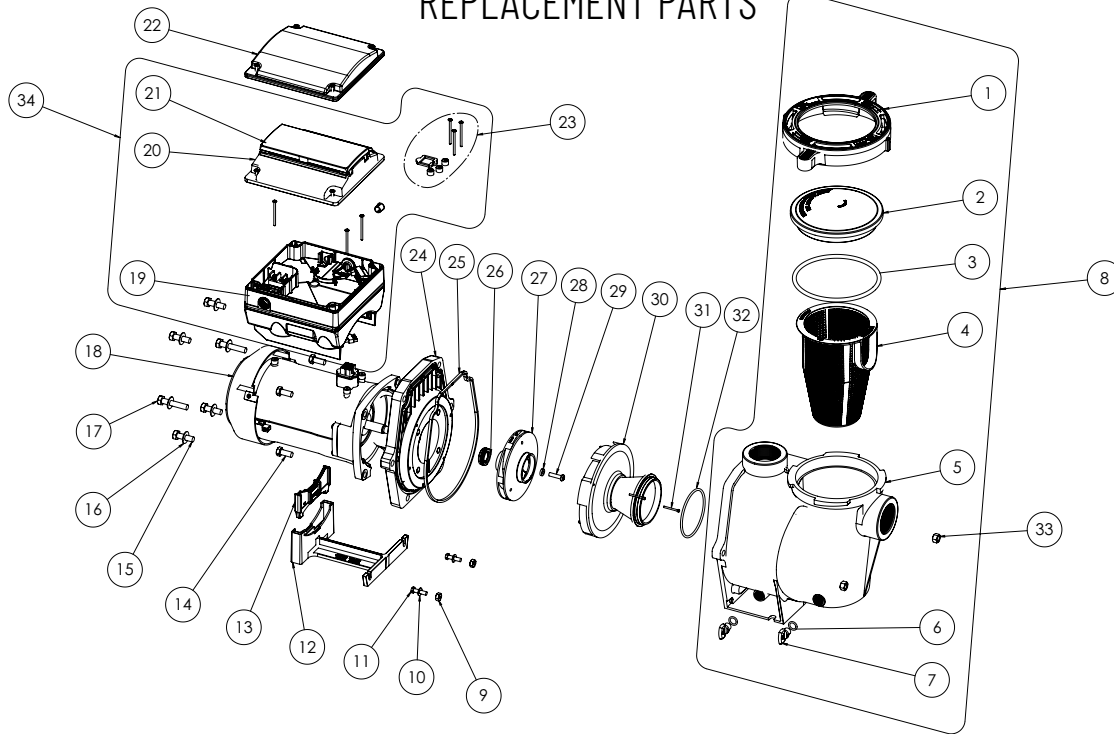
Item	Part No.	Description	US List	Can. List
INTELLIFLO VARIABLE SPEED & INTELLIFLO VS+SVRS				
1	070387Z	Basket WF	25.85	31.06
2	070429Z	Bolt, 3/8-16 X 7/8 SS Hex Head 18-8, 4 req.	4.86	5.84
3	070430Z	Bolt, 3/8-16 x 1-1/4 hex cap 18-8 S/S, 4 req.	CALL	CALL
4	070431	Bolt, 3/8-16 x 2 hex cap 18-8 S/S, 2 req.	4.25	5.11
5	070927	Foot WF, pump motor support, almond	59.26	71.21
6	070929	Foot insert WF pump, almond	29.73	35.72
7	071131Z	Plug drain WFE, almond, (2 req.)	9.51	11.43
8	071403	Nut, 3/8-16 brass nickel plated, 2 req.	CALL	CALL
9	071406Z	Nut, 1/4-20 hex S/S, 2 req.	12.37	14.86
10	355227Z	O-ring #238, 3.484 x .139, buna N 70	5.04	6.06
11	071652Z	Screw, 1/4, 20 x 1 LH phillips pan MS 18-8 S/S, 1 req.	4.86	5.84
12	071657Z	Screw, 1/4-20 x 1 in. hex cap 18-8 S/S, 2 req.	4.86	5.84
13	071660Z	Screw set, 4-40 x 1-1/8 WFE sckt cap 18-8 S/S, 2 req.	5.04	6.06
14	072183	Washer, flat 1/4 x 5/8 20GA thick 18-8 S/S, 2 req.	2.38	2.86
15	072184	Washer, 3/8 ID x 7/8 OD .05 thick 18-8 S/S, 6 req.	2.38	2.86
16	072928Z	Diffuser assembly, black	58.37	70.14
17	073131Z	Impeller, IntelliFlo	CALL	CALL
18	075713Z	Rubber washer, WFE pump, 1 req.	CALL	CALL
19	192115Z	O-ring 112, .487 x .103 buna -N 70, 2 req.	3.90	4.69
20	350013Z	O-ring lid CH/WF 2-436, 1 req.	5.83	7.01
21	350015Z	Housing WFE, almond	CALL	CALL
22	350202	Seal plate kit, almond w/ gasket (Items 23, 35, 36)	311.21	373.95
23	357100Z	Black Gasket for Seal plate	9.97	11.98
23	357102Z	Almond Gasket for Seal plate	CALL	CALL
24	357151Z	Lid, see thru WF.	45.21	54.32
24	357156	Lid, Chemical Resistant	104.66	125.76
25	357199Z	Clamp cam & ramp WF, almond	CALL	CALL
26	357243	Pot WF assy., almond (contains 1, 7 (qty. 2), 19 (qty. 2), 20, 21, 24, 25	738.09	886.89
27	350621	Junction Box Cover - Almond	31.36	37.68
28	356879Z	IntelliFlo Variable Speed Drive Kit - Contains Drive and Control Cover Assy. (VS only)	2207.96	2653.08

Item	Part No.	Description	US List	Can. List
28	351021	IntelliFlo VS+SVRS Drive Kit ¹ - Contains Drive and Control Cover Assy. (SVRS drive)	CALL	CALL
29	352401	Motor fan kit, almond (contains fan, shroud, hardware).	268.24	322.32
30	350601	Drive Control Cover assembly kit ² , almond (contains drive lid, screws, spacer caps, items 31, 32 (qty. 3), 33, 34 (qty. 3))	334.66	402.13
30	400100	Drive Control Cover assembly kit ³ , almond (contains drive lid, screws, spacer caps, items 31, 32, (qty.3), 33, 34 (qty. 3))	334.66	402.13
31	350082	Control cover assembly (not sold individually - order assy. kit item #30)	CALL	CALL
32	350107	Screw 10-24 x 3 1/4 in. PH MS 18-8 s/s (qty. 3)	6.47	7.77
33	350108	IntelliFlo drive gasket	13.44	16.15
34	350142	Spacer cap (qty. 3)	46.98	56.45
35	071734S	Seal Kit	46.83	56.27
35	071732S	Mechanical Seal (ozone/salt resistant)	39.23	47.14
36	074564Z	Seal Plate - Almond	167.99	201.86
37	350105S	Motor VFD 3.2KW PMSM replacement, almond	CALL	CALL
NOT SHOWN				
	070118	Power end IntelliFlo Variable Speed (Contains items 2, 10, 11, 13, 15, 16, 17, 18, 19, 22, 28)	CALL	CALL
	350122Z	50 ft. Communication Cable	CALL	CALL
	357149	Almond Volute/Seal plate Replacement Kit (Items 1, 7 (Qty 2), 19 (Qty 2), 20, 21, 22, 23, 24, 25)	464.12	557.69
	350612	Hardware/gasket assy. kit (contains 3 screws, 3 spacer caps and drive gasket)	167.05	200.73
	357603	Union Kit (contains 2 complete unions for one pump, not included with pump).	172.60	207.40
	356198	WhisperFlo/IntelliFlo Quick Kit (includes 35, 10, 18, 23, 20, 19(x2))	51.68	62.10
	350199	Seal Plate Kit (ozone/salt resistant)	303.94	365.21

¹ Contact factory for IntelliFlo VS+SVRS2
² Used on pumps manufactured before 12/23/13
³ Used on pumps manufactured after 12/23/13 to present

INTELLIFLO® i1 + i2 VARIABLE SPEED PUMP - AFTER APRIL 2016

REPLACEMENT PARTS



Item	Part No.	Description	US List	Can. List
INTELLIFLOXFP PUMP				
1	357199Z	Clamp, Cam and Ramp	CALL	CALL
2	357151Z	See-through Lid	45.21	54.32
3	350013Z	Lid O-Ring	5.83	7.01
4	070387Z	Strainer Basket	25.85	31.06
5	350015Z	Volute WF	CALL	CALL
6	192115Z	O-Ring 112 for Drain Plug (Qty 2)	3.90	4.69
7	071131Z	Drain Plug WF (2 req.)	9.51	11.43
8	357243	Volute Kit (Contains items #1-7)	738.09	886.89
9	071406Z	Nut 1/4-20 Hex SS (Qty 2)	12.37	14.86
10	072183	Washer, Flat 1/4" ID x 5/8" OD (Qty 2)	2.38	2.86
11	071657Z	Screw 1/4-20 x 1" Hex Cap SS, 2 req.	4.86	5.84
12	070927	Foot WF	59.26	71.21
13	070929	Foot Insert WFE Pump Motor Support	29.73	35.72
14	070429Z	Bolt, 3/8-16 X 7/8 SS Hex Head 18-8, 4 req.	4.86	5.84
15	072184	Washer, Flat 3/8" ID x 7/8 OD (Qty 6)	2.38	2.86
16	070430Z	Bolt, Hex Head 3/8-16 x 1.25" (Qty 4)	CALL	CALL
17	070431	Bolt, Hex Head 3/8-16 x 2" (Qty 2)	4.25	5.11
18	350305S	Motor, 3.2 kW 10 Pole	CALL	CALL
19	356878Z	Drive, Variable Speed	CALL	CALL
20	357527Z	Keypad Assembly Kit (Contains item #21)	527.74	634.13
21	400100	Keypad Cover	334.66	402.13
22	356904Z	Keypad Relocation Kit (Contains Keypad Relocation cable and Blank Drive Cover)	114.71	137.84
23	355685	Drive Hardware Kit (Contains Drive Screws, Drive Gasket and Screw Caps)	167.05	200.73
24	074564Z	Seal Plate	167.99	201.86

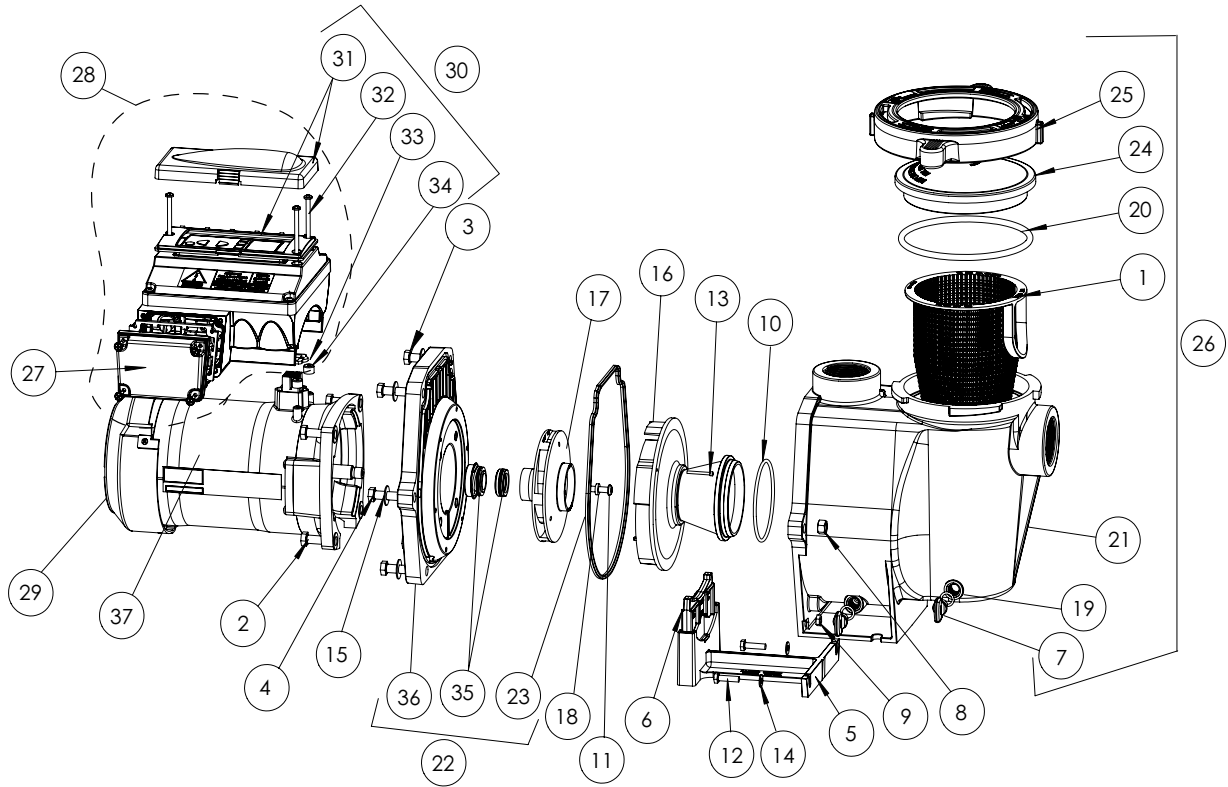
Item	Part No.	Description	US List	Can. List
25	357100Z	Seal Plate Gasket	9.97	11.98
26	071734S	Mechanical Seal	46.83	56.27
	071732S	Mechanical Seal (ozone/salt resistant)	39.23	47.14
27	073128Z	Impeller, i1 Pump	CALL	CALL
27	073131A	Impeller, i2 Pump	148.38	178.29
28	075713Z	Rubber Washer, Impeller Set Screw	CALL	CALL
29	071652Z	Impeller Set Screw 1/4-20 LH Thread	4.86	5.84
30	072930	Diffuser, i1 Pump	117.48	141.16
30	072927Z	Diffuser, i2 Pump	117.48	141.16
31	071660Z	Diffuser Set Screw 4-40 x 1-1/8, 2 req.	5.04	6.06
32	355227Z	Diffuser O-Ring	5.04	6.06
33	071403	Nut 3/8" Brass, Nickel Plated (Qty 2)	CALL	CALL
34	356879Z	Drive Kit (Incl. Items #19-23)	2207.96	2653.08
NOT SHOWN				
	350122Z	50 Ft. Communication Cable	CALL	CALL
	350202	Seal Plate Kit w/Mechanical Seal (Incl. Items #24, 25 and 26)	311.21	373.95
	357603	Union Kit (Incl. 2 complete unions for 1 pump - Not included with pump)	172.60	207.40
	356198	WhisperFlo/IntelliFlo Quick Kit (includes 26, 32, 25, 6(x2), 3 and 28)	51.68	62.10
	350199	Seal Plate Kit (Ozone/Salt resistant)	303.94	365.21
	352401	Motor Fan Kit	268.24	322.32

CALIFORNIA PROPOSITION 65 WARNING

⚠ **WARNING:** Cancer and Reproductive Harm.
 ⚠ **AVERTISSEMENT:** Peut Causer le Cancer et des Dommages au Système Reproducteur.
 ⚠ **ADVERTENCIA:** Cáncer y Daño Reproductivo.
www.p65warnings.ca.gov

PH2016A

INTELLIFLO® i1 VARIABLE SPEED PUMP - BEFORE APRIL 2016 REPLACEMENT PARTS



CALIFORNIA PROPOSITION 65 WARNING
 ⚠️ **WARNING:** Cancer and Reproductive Harm.
 ⚠️ **AVERTISSEMENT:** Peut Causer le Cancer et des Dommages au Système Reproducteur.
 ⚠️ **ADVERTENCIA:** Cáncer y Daño Reproductivo.
www.p65warnings.ca.gov

INTELLIFLO® i1 VARIABLE SPEED PUMP - BEFORE APRIL 2016

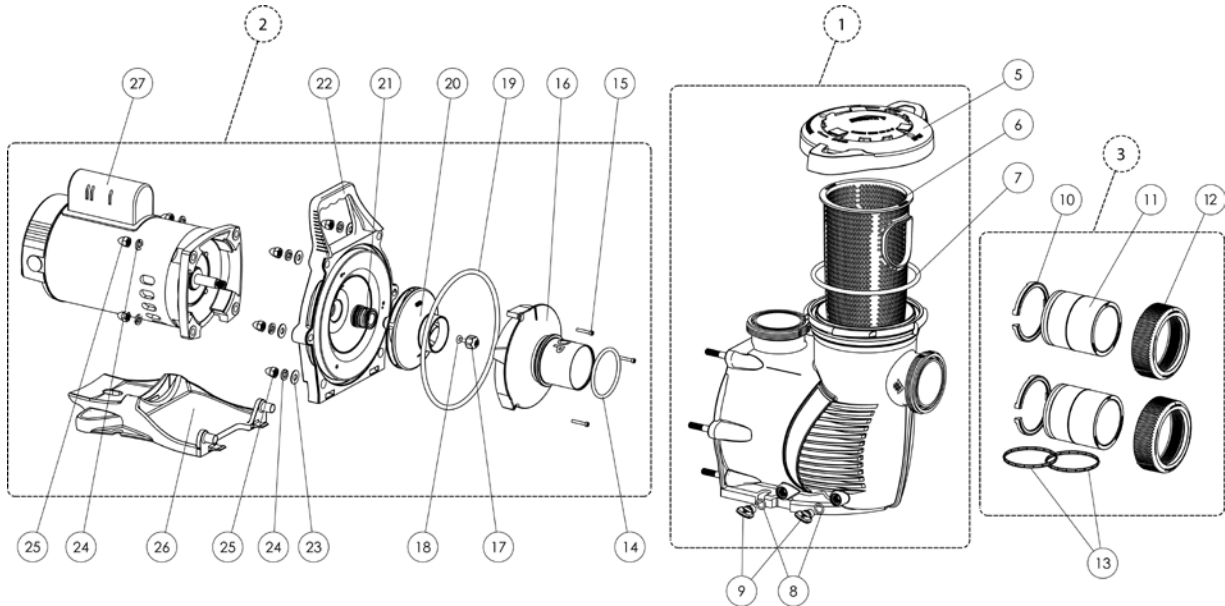
REPLACEMENT PARTS

Item	Part No.	Description	US List	Can. List
INTELLIFLO i1 VARIABLE SPEED PUMP				
1	070387Z	Basket WF	25.85	31.06
2	070429Z	Bolt, 3/8-16 X 7/8 SS Hex Head 18-8, 4 req.	4.86	5.84
3	070430Z	Bolt, 3/8-16 x 1-1/4 hex cap 18-8 S/S, 4 req.	CALL	CALL
4	070431	Bolt, 3/8-16 x 2 hex cap 18-8 S/S, 2 req.	4.25	5.11
5	070927	Foot WF, pump motor support, almond	59.26	71.21
6	070929	Foot insert WF pump, almond	29.73	35.72
7	071131Z	Plug drain WFE, almond, (2 req.)	9.51	11.43
8	071403	Nut, 3/8-16 brass nickel plated, 2 req.	CALL	CALL
9	071406Z	Nut, 1/4-20 hex S/S, 2 req.	12.37	14.86
10	355227Z	O-ring #238, 3.484 x .139, buna N 70	5.04	6.06
11	071652Z	Screw, 1/4, 20 x 1 LH phillips pan MS 18-8 S/S, 1 req.	4.86	5.84
12	071657Z	Screw, 1/4-20 x 1 in. hex cap 18-8 S/S, 2 req.	4.86	5.84
13	071660Z	Screw set, 4-40 x 1-1/8 WFE sckt cap 18-8 S/S, 2 req.	5.04	6.06
14	072183	Washer, flat 1/4 x 5/8 20GA thick 18-8 S/S, 2 req.	2.38	2.86
15	072184	Washer, 3/8 ID x 7/8 OD .05 thick 18-8 S/S, 6 req.	2.38	2.86
16	072930	Diffuser assembly	117.48	141.16
17	073128Z	Impeller, 1 HP	CALL	CALL
18	075713Z	Rubber washer, WFE pump, 1 req.	CALL	CALL
19	192115Z	O-ring 112, .487 x .103 buna -N 70, 2 req.	3.90	4.69
20	350013Z	O-ring lid CH/WF 2-436, 1 req.	5.83	7.01
21	350015Z	Housing WFE, almond	CALL	CALL
22	350202	Seal plate kit, almond w/ gasket (Items 23, 35, 36)	311.21	373.95
23	357100Z	Black Gasket for Seal plate	9.97	11.98
24	357151Z	Lid, see thru WF.	45.21	54.32
24	357156	Lid, Chemical Resistant	104.66	125.76
25	357199Z	Clamp cam & ramp WF, almond	CALL	CALL
26	357243	Pot WF assy., almond (contains 1, 7 (qty. 2), 19 (qty. 2), 20, 21, 24, 25)	738.09	886.89
27	350621	Junction Box Cover - Almond	31.36	37.68
28	356879Z	IntelliFlo Variable Speed Drive Kit - Contains Drive and Control Cover Assy.	2207.96	2653.08
29	352401	Motor fan kit, almond (contains fan, shroud, hardware).	268.24	322.32

Item	Part No.	Description	US List	Can. List
30	350601	Drive Control Cover assembly kit, almond (contains drive lid, screws, spacer caps, items 31, 32 (qty. 3), 33, 34 (qty. 3))	334.66	402.13
31	350082	Control cover assembly (Not sold individually - order assy kit item 30)	CALL	CALL
32	350107	Screw 10-24 x 3/4 in. PH MS 18-8 s/s (qty. 3)	6.47	7.77
33	350108	IntelliFlo drive gasket	13.44	16.15
34	350142	Spacer cap (qty. 3)	46.98	56.45
35	071734S	Seal Kit	46.83	56.27
35	071732S	Mechanical Seal (ozone/salt resistant)	39.23	47.14
36	074564Z	Seal Plate - Almond	167.99	201.86
37	350105S	Motor VFD 3.2KW PMSM replacement, almond	CALL	CALL
NOT SHOWN				
	070119	Power end IntelliFlo Variable Speed (Contains items 2 (qty. 4), 10, 11, 13, 15, 16, 17, 18, 19, 22, 28, 37)	CALL	CALL
	350122Z	50 ft. Communication Cable	CALL	CALL
	357149	Almond Volute/Seal plate Replacement Kit (Items 1, 7 (Qty 2), 19 (Qty 2), 20, 21, 22, 23, 24, 25)	464.12	557.69
	350612	Hardware/gasket assy. kit (contains 3 screws, 3 spacer caps and drive gasket)	167.05	200.73
	356198	WhisperFlo/IntelliFlo Quick Kit (includes 35, 10, 18, 23, 20, 19(x2))	51.68	62.10
	357603	Union Kit (contains 2 complete unions for one pump, not included with pump).	172.60	207.40
	350201	Seal plate kit without gasket (Items 35 and 36)	CALL	CALL
	350199	Seal Plate Kit (ozone/salt resistant)	303.94	365.21

WHISPERFLOXF® PUMP

REPLACEMENT PARTS



Item	Part No.	Description	US List	Can. List
WHISPERFLO XF PUMP				
1	400000	Wet End Assembly	485.54	583.42
2	See chart on next page	Power End Assembly		
3	410020	Union Kit Without Tap	221.19	265.78
5	400006	Lid/Locking Ring Assembly	85.44	102.66
6	400007Z	XF Series Replacement Basket	53.43	64.20
7	35505-1440Z	Lid/Locking Ring O-Ring	CALL	CALL
8	192115Z	Drain Plug O-Ring	3.90	4.69
9	071131Z	Drain Plug (2 req.)	9.51	11.43
10	410001	2.5 in. C-Clip Locking Ring	10.83	13.01
11	410002	2.5 in. Union Adapter without Tap	51.26	61.59
12	411000	2.5 in. Union Nut	29.72	35.71
13	410016Z	2.5 in. Seal Kit - (Includes two)	18.28	21.97
14	350336Z	Diffuser O-Ring	CALL	CALL
15	353323	Diffuser Screw	5.06	6.08
16	See chart on next page	Diffuser		
17	37337-6080	Impeller Screw, Plastic Head (pumps mfg. before 10/7/2019)	29.74	35.74
17	356073	Impeller Screw, Metal-Head (pumps mfg. after 10/7/19)	11.64	13.99
18	072172	Impeller screw washer	0.38	0.46

Item	Part No.	Description	US List	Can. List
19	351446Z	Seal Plate O-Ring	CALL	CALL
20	See chart on next page	Impeller Assembly (includes screw and washer)		
21	17351-0101S	Mechanical Seal Assembly	40.29	48.41
22	400002	Seal Plate	320.90	385.59
23	072184	Flat Washer	2.38	2.86
24	U43-12SS	Split Lock Washer	4.14	4.97
25	071413	Acorn Nut	1.87	2.25
26	400004Z	Motor Base	59.26	71.21
27	See chart on next page	Motors		
NOT SHOWN				
	400030Z	Hardware and Orings Kit	97.10	116.68
	400031Z	Seal Plate Kit w/ Mechanical Seal	310.77	373.42
	400012	Riser Plate XF to Challenger	102.52	123.19
	400013Z	Motor End Cap and Screw	40.15	48.24
	357923Z	Fan Guard Kit TEFC/Super-Duty	CALL	CALL

CALIFORNIA PROPOSITION 65 WARNING

⚠ **WARNING:** Cancer and Reproductive Harm.
 ⚠ **AVERTISSEMENT:** Peut Causer le Cancer et des Dommages au Système Reproducteur.
 ⚠ **ADVERTENCIA:** Cáncer y Daño Reproductivo.

www.p65warnings.ca.gov. P652017A

WHISPERFLOXF[®] PUMP (CONT'D)

REPLACEMENT PARTS

Item	Part No.	Description	US List	Can. List
IMPELLERS				
20	400020Z	XFET-8	180.49	216.88
20	400015Z	XFET-12	195.58	235.01
20	400023Z	XFET-20	210.59	253.04
20	400020Z	XF-8	180.49	216.88
20	400015Z	XF-12	195.58	235.01
20	400020Z	XFE-8	180.49	216.88
20	400015Z	XFE-12	195.58	235.01
20	400023Z	XFE-20	210.59	253.04
20	400020Z	XFDS-8	CALL	CALL
20	400015Z	XFDS-12	CALL	CALL
20	400020Z	XFDS-30	CALL	CALL
20	400020Z	XF-30	180.49	216.88
20	400020Z	XFE-30	180.49	216.88
20	400020Z	XFJ-8	180.49	216.88
20	400015Z	XFJ-12	195.58	235.01
20	400023Z	XFJ-20	210.59	253.04
20	400020Z	XFK-8	180.49	216.88
20	400015Z	XFK-12	195.58	235.01
20	400023Z	XFK-20	210.59	253.04
MOTORS				
27	354815S	2hp 1-Phase TEFC 208-230V	873.51	1049.61
27	354817S	3hp 1-Phase TEFC 208-230V	1141.45	1371.57
27	354819S	5hp 1-Phase TEFC 208-230V	1424.58	1711.78
27	355026S	2hp Standard E 230V	CALL	CALL
27	355014S	2hp High Eff 208-230V	CALL	CALL
27	355016S	3hp High Eff 208-230V	CALL	CALL
27	353317S	5hp High Eff 208-230V	CALL	CALL
27	359526S	2hp 2 Speed 230V	CALL	CALL
27	353316S	3hp 2 Speed 230V	CALL	CALL
27	359526S	2.5hp Uprated 2 Speed 230V	CALL	CALL
27	355026S	2.5hp Uprated Standard E 230V	CALL	CALL
27	355014S	2.5hp Uprated High E 208-230V	CALL	CALL
27	354809S	2hp 3 Phase 208-230-460V	CALL	CALL
27	354811S	3hp 3 Phase 208-230-460V	CALL	CALL
27	354813S	5hp 3 Phase 208-230-460V	CALL	CALL

Item	Part No.	Description	US List	Can. List
DIFFUSERS				
16	400010	XFET-8	140.43	168.74
16	400010	XFET-12	140.43	168.74
16	400011Z	XFET-20	151.57	182.13
16	400010	XF-8	140.43	168.74
16	400010	XF-12	140.43	168.74
16	400010	XFE-8	140.43	168.74
16	400010	XFE-12	140.43	168.74
16	400011Z	XFE-20	151.57	182.13
16	400010	XFDS-8	140.43	168.74
16	400010	XFDS-12	140.43	168.74
16	400010	XFDS-30	140.43	168.74
16	400010	XF-30	140.43	168.74
16	400010	XFE-30	140.43	168.74
16	400010	XFJ-8	140.43	168.74
16	400010	XFJ-12	140.43	168.74
16	400011Z	XFJ-20	151.57	182.13
16	400010	XFK-8	140.43	168.74
16	400010	XFK-12	140.43	168.74
16	400011Z	XFK-20	151.57	182.13
POWER ENDS				
2	400632Z	2hp 1-Phase TEFC 208-230V	1928.01	2316.70
2	400633Z	3hp 1-Phase TEFC 208-230V	2314.06	2780.57
2	400634Z	5hp 1-Phase TEFC 208-230V	2498.40	3002.08
2	400612Z	2hp Standard E 230V	1773.66	2131.23
2	400611Z	5hp High Eff 208-230V	2334.96	2805.69
2	400612Z	2.5hp Uprated Standard E 230V	1773.66	2131.23
2	400617Z	2hp 3 Phase 208-230-460V	1854.83	2228.76
2	400618Z	3hp 3 Phase 208-230-460V	1978.23	2377.04
2	400619Z	5hp 3 Phase 208-230-460V	2283.43	2743.77

Note: Pumps and replacement motors that are single speed and one (1) Total HP or greater cannot be sold, offered for sale, or installed in a residential pool for filtration use in California, Title 20 CCR sections 1601-1609.

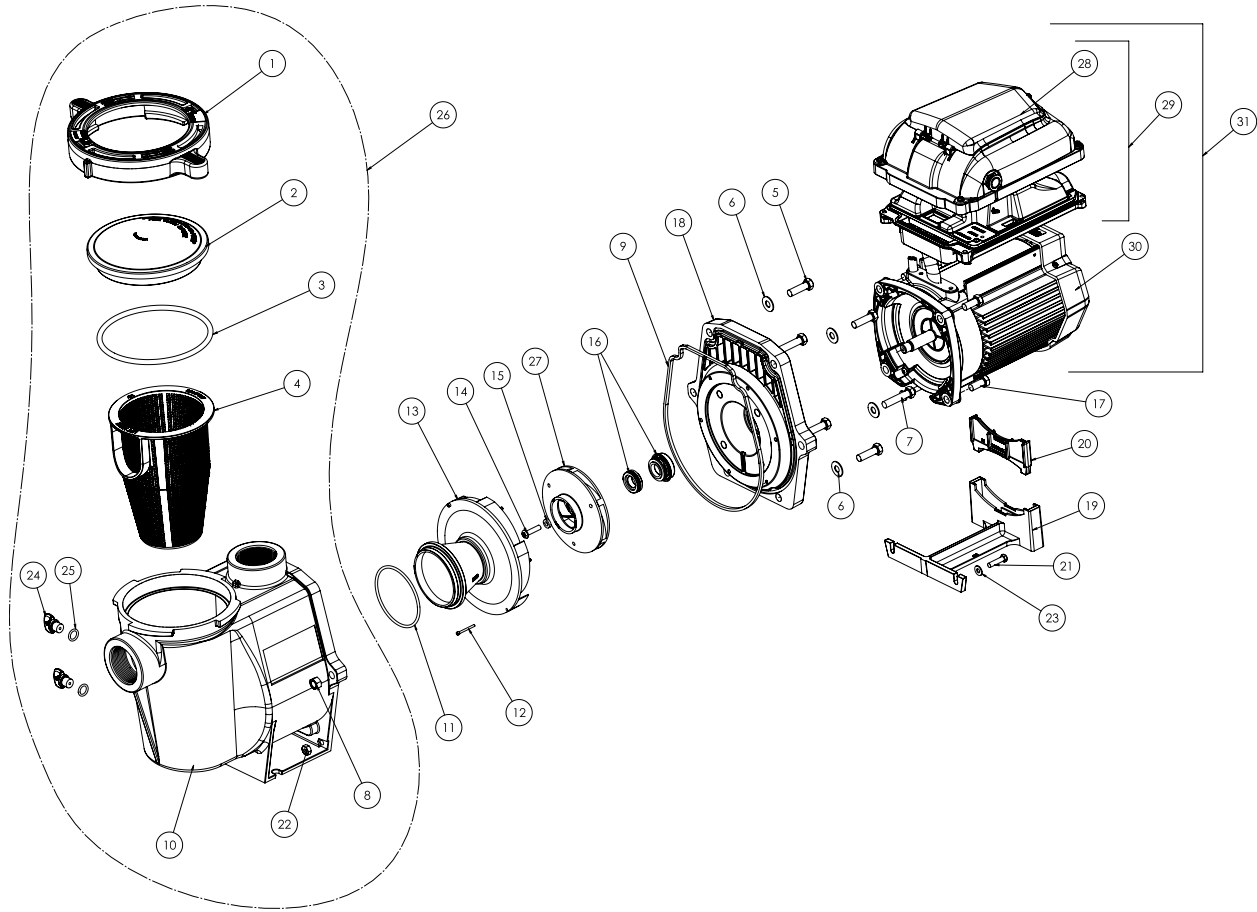
CALIFORNIA PROPOSITION 65 WARNING

WARNING: Cancer and Reproductive Harm.
AVERTISSEMENT: Peut Causer le Cancer et des Dommages au Système Reproducteur.
ADVERTENCIA: Cáncer y Daño Reproductivo.

www.p65warnings.ca.gov
PN20101A

WHISPERFLO® VST

REPLACEMENT PARTS

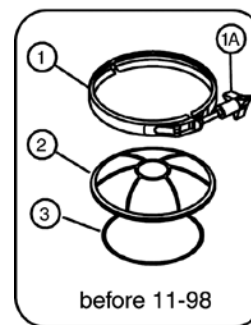
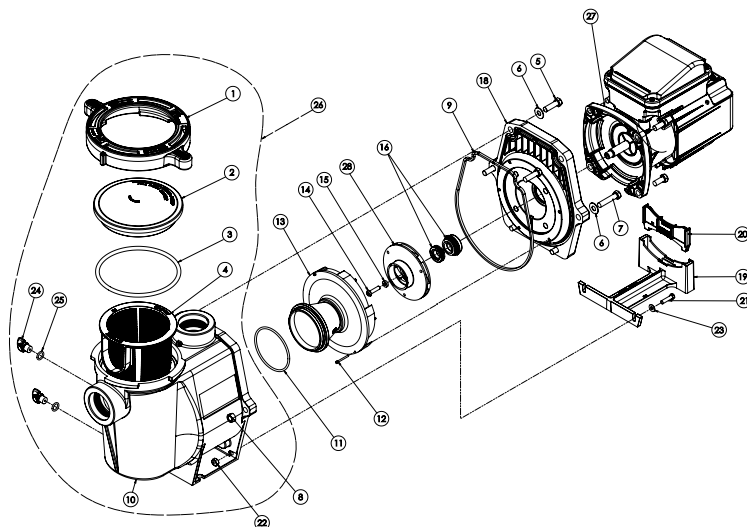


Item	Part No.	Description	US List	Can. List
WHISPERFLO VST				
1	357199Z	Lid Clamp	CALL	CALL
2	357151Z	Lid	45.21	54.32
2	357156	Lid, Chemical Resistant	104.66	125.76
3	350013z	O-ring, Lid	5.83	7.01
4	070387z	Strainer Basket	25.85	31.06
5	070430Z	Bolt, 3/8 - 16 x 1-1/4 Hex Head. SS, 4 Req.	CALL	CALL
6	072184	Washer, 3/8 x 7/8 O.D. SS, 6 Req.	2.38	2.86
7	070431	Bolt, 3/8 - 16 x 2 Hex Head. SS, 2 Req.	4.25	5.11
8	071403	Nut, 3/8, 16 Hex Head, 2 Req.	CALL	CALL
9	357100z	Gasket, Seal Plate	9.97	11.98
10	350015Z	Strainer Pot	CALL	CALL
11	355227z	O-ring, Diffuser	5.04	6.06
12	071660z	Screw, Diffuser, 2 Req.	5.04	6.06
13	072927z	Diffuser	117.48	141.16
14	071652z	Impeller Screw, 1/4 - 20 x 1 in., LH, Phillips	4.86	5.84
15	075713Z	Washer, Impeller Screw	CALL	CALL
16	071734s	Shaft Seal, PA-7 w/ Ceramic Seat, PS1000	46.83	56.27
16	071732s	Shaft Seal, Ozone/Salt Resistant	39.23	47.14
17	070429z	Bolt, Motor/Seal Plate, 4 Req.	4.86	5.84
18	350202	Seal Plate Kit (Shaft Seal installed) (Incl. Items 9, 16 & 18)	311.21	373.95

Item	Part No.	Description	US List	Can. List
19	070927	Motor Foot	59.26	71.21
20	070929	Insert, Motor Foot	29.73	35.72
21	071657z	Screw, Motor Foot, 2 Req.	4.86	5.84
22	071406Z	Nut, Motor Foot, 2 Req.	12.37	14.86
23	072183	Washer, Motor Foot, 2 Req.	2.38	2.86
24	071131z	Drain Plug, 2 Req.	9.51	11.43
25	192115	O-ring, Drain Plug, 2 Req.	CALL	CALL
26	357149	Strainer Pot/Seal Plate Kit, (Incl. Items: 1-4, 9, 10, 16, 18, 24, and 25)	464.12	557.69
27	073130Z	Impeller	CALL	CALL
28	356279	Drive Cover	485.35	583.20
29	356282	Drive Kit	1327.11	1594.66
30	356286s	Motor	894.85	1075.25
31	356289s	Motor/Drive Assembly	CALL	CALL
NOT SHOWN				
	075455	Fluid Assembly, (Incl. All Items EXCEPT 31)	CALL	CALL
	357243	Strainer Pot Assembly, (Incl. Items 1-4, 10, 24 and 25)	738.09	886.89
	356324z	RS-485 Automation Wiring Kit	116.13	139.54
	357923z	Motor Fan Guard Kit	CALL	CALL

Product on pages 226–227.

WHISPERFLO® PUMP REPLACEMENT PARTS



CALIFORNIA PROPOSITION 65 WARNING
 ⚠️ **WARNING:** Cancer and Reproductive Harm.
 ⚠️ **AVERTISSEMENT:** Peut Causer le Cancer et des Dommages au Système Reproducteur.
 ⚠️ **ADVERTENCIA:** Cáncer y Daño Reproductivo.
www.p65warnings.ca.gov PWD0514

Item	Part No.	Description	US List	Can. List
WHISPERFLO PUMPS				
1	070711	Clamp band assembly, SS, WF/AQ ⁵ (old style)	136.46	163.97
1	357150	Clamp, Cam & Ramp™, plastic, black, WF ⁷	73.69	88.55
1	357199Z	Clamp, Cam & Ramp, plastic, almond, WF ⁸	CALL	CALL
1A	071136Z	Knob, only ⁵	35.63	42.81
2	070795	Cover, clear, AQ/WFE pump ⁵ (old style)	77.16	92.72
2	357151Z	Cover, clear, WFE pump ⁶	45.21	54.32
2	357156	Cover, chemical resistant Cam & Ramp	104.66	125.76
3	071422	O-ring, AQ/WFE cover ⁵	10.70	12.86
3	350013Z	O-ring, WFE cover ⁶	5.83	7.01
4	070387Z	Basket	25.85	31.06
5	070430Z	Bolt, 3/8, 16 x 1-1/4 hex hd. SS, 4 req.	CALL	CALL
6	072184	Washer, 3/8 x 13/16 o.d. SS, 6 req.	2.38	2.86
7	070431	Bolt, 3/8, 16 x 1-3/4 hex hd. SS, 2 req.	4.25	5.11
8	071403	Nut, 3/8, 16 hex hd., 2 req.	CALL	CALL
9	071445	O-ring parker No.2-265, WFE pump ^{1,4}	26.65	32.02
9	357100Z	Black Gasket for Seal Plate ¹⁴	9.97	11.98
9	357102Z	Almond Gasket for Seal Plate ¹⁵	CALL	CALL
10	357149	Volute & Sealplate, Almond Replacement Kit ⁶	464.12	557.69
10	350015Z	Volute, almond	CALL	CALL
10	357157	Volute, black	352.73	423.84
11	355227Z	O-ring parker No.2-238, WFE pump	5.04	6.06
12	071660Z	Set screw, 4-40 x 1-1/8 WFE, 2 req.	5.04	6.06
13	072928Z	Diffuser assembly, WFE-12, 3 HP; WFK-12, 3HP models	58.37	70.14
13	072927Z	Diffuser assembly, WFE-2-8, 1/2 HP - 2-1/2 HP	117.48	141.16
14	071652Z	Set screw, 1/4, 20 x 1 lh. phillips	4.86	5.84

Item	Part No.	Description	US List	Can. List
15	075713Z	Rubber washer, WFE pump	CALL	CALL
16	071734S	Seal PA-7 w/ ceramic seat, PS1000	46.83	56.27
16	071732S	Mechanical Seal (ozone/salt resistant)	39.23	47.14
17	070429Z	Bolt, 3/8-16 X 7/8 SS Hex Head 18-8, 4 req.	4.86	5.84
18	350202	Seal Plate Kit, Almond with Gasket (Includes Mechanical Seal Installed and Seal Plate Gasket) Items 9, 16 & 18	311.21	373.95
18	350101	Seal Plate Kit WFE Black (Includes Mechanical Seal installed) Items 16 & 18	CALL	CALL
19	070927	Foot, WFE-4 pump, almond	59.26	71.21
19	357159	Foot, black ⁹	59.26	71.21
20	070929	Foot insert, WFE pump, almond	29.73	35.72
20	357160	Foot insert, WFE pump, black ⁹	29.73	35.72
21	071657Z	Screw, 1/4, 20 x 1 in. hh. SS, 2 req.	4.86	5.84
22	071406Z	Nut, 1/4, 20 hex. hd. SS, 2 req.	12.37	14.86
23	072183	Washer, flat 1/4 x 5/8, 2 req.	2.38	2.86
24	071131Z	Knob plug drain, almond (2 req.)	9.51	11.43
24	357161Z	Knob plug drain, 2 req., black ⁹	7.80	9.37
25	192115Z	O-Ring drain plug, 2 req.	3.90	4.69
26	357149	Almond Volute/Seal plate kit ⁶ (Includes items 1-4, 9, 10, 16, 18, 24, 25.)	464.12	557.69
MOTORS				
27	356363S	1.1 THP Motor	671.26	806.59
27	354803S	3/4 HP, 1SP, TEFC	CALL	CALL
27	354821S	1 HP, 1SP, TEFC, WFET- 4	622.43	747.91
27	354823S	1-1/2 HP, 1SP, TEFC, WFET- 6	733.14	880.94
27	354815S	2 HP, 1SP, TEFC, WFET- 8	873.51	1049.61
27	354817S	3 HP, 1SP, TEFC, WFET- 12	1141.45	1371.57
27	355008S	3/4 HP, 1SP, WFE- 2, 3 & 24	CALL	CALL
27	355010S	1 HP, 1SP, WFE- 4 & 26	CALL	CALL
27	355012S	1-1/2 HP, 1SP, WFE- 6 & 28	CALL	CALL
27	355014S	2 HP, 1SP, WFE-8 & 30	CALL	CALL

Note: Pumps and replacement motors that are single speed and one (1) Total HP or greater cannot be sold, offered for sale, or installed in a residential pool for filtration use in California, Title 20 CCR sections 1601-1609.

Product on pages 228-229.

WHISPERFLO® PUMP (CONT'D)

REPLACEMENT PARTS

Item	Part No.	Description	US List	Can. List
MOTORS				
27	355016S	3 HP, 1SP, WFE-12,	CALL	CALL
27	350088S	3/4 HP, 2 sp, WFDS-3	CALL	CALL
27	356630S	1 HP, 2 sp., WFDS-4 & 26 ¹¹	CALL	CALL
27	071320S	1-1/2 HP, 2 sp., WFDS-6 & 28 ¹¹	CALL	CALL
27	071321S	2 HP, 2 sp., WFDS-8 & 30 ¹¹	CALL	CALL
27	355018S	1/2 HP, 1SP, WF-2, 23	CALL	CALL
27	355020S	3/4 HP, 1SP, WF-3, 24	CALL	CALL
27	355022S	1 HP, 1SP, WF-4, 26	CALL	CALL
27	355024S	1-1/2 1SP, HP, WF-6, 28	CALL	CALL
27	355026S	2 HP, 1SP, WF-8, 30	CALL	CALL
27	355002S	1/2 HP, 3PH, 1SP	CALL	CALL
27	354805S	1 HP, 3PH, 1SP, WFK-4	664.45	798.40
27	354807S	1.5 HP, 3PH, 1SP, WFK-6	826.13	992.68
27	354809S	2 HP, 3PH, 1SP, WFK-8	921.65	1107.45
27	354811S	3 HP, 3PH, 1SP, WFK-12	1115.65	1340.57
IMPELLERS				
28	073126	Impeller (WF-2, WF-23, WFE-2, WFK-2,)	154.26	185.36
28	073127Z	Impeller (WFE-3, WFE-24, WF-3, WF-24, WFK-3, WFDS-3, WFDS-24)	CALL	CALL
28	073128Z	Impeller (WFE-4, WFE-26, WF-4, WF-26, WFK-4, WFDS-4, WFDS-26)	CALL	CALL
28	073129Z	Impeller (WF-6, WF-28, WFE-6, WFE-28, WFK-6, WFDS-6, WFDS-28)	CALL	CALL
28	073130Z	Impeller (WF-8, WF-30, WFE-8, WFE-30, WFK-8, WFDS-8, WFDS-30)	CALL	CALL
28	073131Z	Impeller (WFE-12, WF-12, WFK-12)	CALL	CALL
POWER END SUBASSY. INCLUDES ITEMS No. 12 THRU 18, 27, 28 , CONT.				
	075145	WFDS-3, WFDS-24	CALL	CALL
	075136	WFE-2	CALL	CALL
	075138	WFE-4, WFE-26 ³	CALL	CALL
	075139	WFE-6, WFE-28 ³	CALL	CALL
	075140	WFE-8, WFE-30 ³	CALL	CALL
	075141	WFE-12 ³	CALL	CALL
	075142	WFDS-4, WFDS-26 ¹¹	CALL	CALL
	075143	WFDS-6, WFDS-28 ¹¹	CALL	CALL
	075144	WFDS-8, WFDS-30 ¹¹	CALL	CALL
	075253	WF-4, WF-26 ¹⁰	CALL	CALL
	075255	WF-8, WF-30 ¹⁰	CALL	CALL

Item	Part No.	Description	US List	Can. List
FLUID ENDS-ALL PARTS, W/O MOTOR				
	075452	WFE-3 fluid end, 3/4 HP	CALL	CALL
	075453	WFE-4 fluid end, 1 HP	CALL	CALL
	075454	WFE-6 fluid end, 1-1/2 HP	CALL	CALL
	075455	WFE-8 fluid end, 2 HP	CALL	CALL
	075456	WFE-12 fluid end, 3 HP	CALL	CALL
NOT SHOWN				
	79129900	2-Speed Toggle Switch with Mounting plate	75.42	90.62
	350202	Seal Plate Kit: Seal plate (almond), Gasket (black), with installed Seal (Includes items 9, 16, & 18)	311.21	373.95
	350203	Seal Plate Kit: Seal plate (black), Gasket (black), with installed Seal (Includes items 9, 16, & 18)	311.21	373.95
	356198	WhisperFlo/IntelliFlo Quick Kit (includes 16, 9, 11, 3, 145, 25(x2))	51.68	62.10
	357243	Pot Assembly, Almond NPT. (Includes items 1-4, 10, 24 (qty. 2), 25 (qty. 2))	738.09	886.89
	357244	Pot Assembly, Black NPT. (Includes items 1-4, 10, 24 (qty. 2), 25 (qty. 2))	738.09	886.89
	355002S	Motor for Pump 340061	CALL	CALL
	400013Z	ODP Motor End Cap and Screw	40.15	48.24
	357923Z	Fan Guard Kit TEFC/Super-Duty	CALL	CALL
	350199	Seal Plate Kit (ozone/salt resistant)	303.94	365.21

- ¹ Used on pumps manufactured before 6-94.
- ² Used on pumps manufactured after 6-94.
- ³ Energy efficient single phase.
- ⁴ Pumps manufactured before 11-98 require a volute replacement kit (357149) when replacing items No.9-gasket, No.10-volute, or No.18-seal plate. This kit will update the pump to the new configuration using the "Cam and Ramp" lid design.
- ⁵ Used on pumps manufactured before 11-98.
- ⁶ Used on pumps manufactured after 11-98. Includes items 1-4, 9, 10, 16, 18, 24, 25.
- ⁷ Used on pumps manufactured between 11-98 thru 12-17-99.
- ⁸ Used on pumps manufactured after 12-17-99.
- ⁹ CSA/CUL (only) for Canada.
- ¹⁰ Standard efficiency, single phase.
- ¹¹ Two Speed, single phase.
- ¹² Includes items 16 & 18.
- ¹⁴ 2-1-08 to present.
- ¹⁵ 1-31-08 and prior.

Note: Pumps and replacement motors that are single speed and one (1) Total HP or greater cannot be sold, offered for sale, or installed in a residential pool for filtration use in California, Title 20 CCR sections 1601-1609.

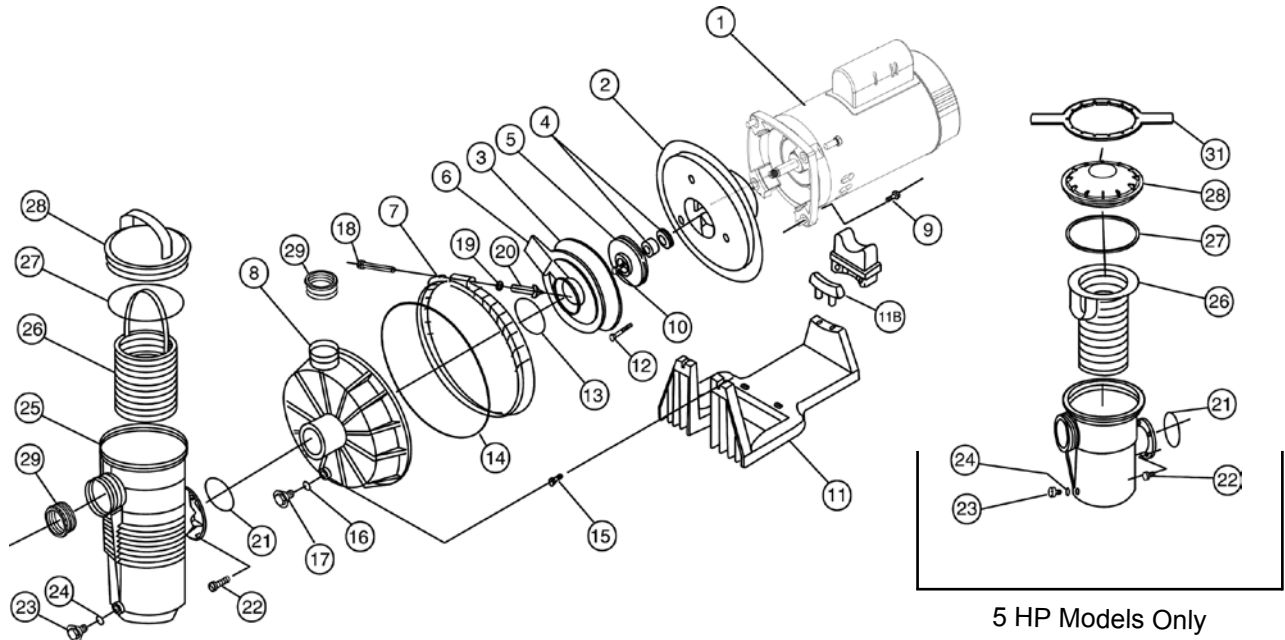
CALIFORNIA PROPOSITION 65 WARNING

⚠ **WARNING:** Cancer and Reproductive Harm.
⚠ **AVERTISSEMENT:** Peut Causer le Cancer et des Dommages au Système Reproducteur.
⚠ **ADVERTENCIA:** Cáncer y Daño Reproductivo.

www.p65warnings.ca.gov. P65019A

CHALLENGER® HIGH FLOW PUMP

REPLACEMENT PARTS



5 HP Models Only

Item	Part No.	Description	US List	Can. List
CHALLENGER HIGH FLOW PUMP MOTORS				
1	354804S	3/4HP, 1SP,1PH, TEFC, 115/208-230	CALL	CALL
1	354822S	1HP, 1SP,1PH, TEFC, 115/208-230	622.43	747.91
1	354824S	1-1/2HP, 1SP,1PH, TEFC, 208-230	733.14	880.94
1	354816S	2HP, 1SP,1PH, TEFC, 208-230	873.51	1049.61
1	355019S	1/2F, 3/4A std. sq. fig., 115/208-230	CALL	CALL
1	355021S	3/4F, 1A std. sq. fig., 115/208-230	CALL	CALL
1	355023S	1F, 1-1/2A std. sq. fig., 115/208-230	CALL	CALL
1	355025S	1-1/2F, 2A std. sq. fig., 115/208-230	CALL	CALL
1	355027S	2F, 2-1/2A std. sq. fig., 208-230	CALL	CALL
1	355034S	3F std. sq. fig. 230 only	CALL	CALL
1	355009S	3/4FE, 1AE sq. fig. 115/208-230	CALL	CALL
1	355011S	1FE, 1-1/2AE sq. fig. 115/208-230	CALL	CALL
1	355013S	1-1/2FE, 2AE sq. fig. 208-230	CALL	CALL
1	355015S	2FE, 2-1/2AE sq. fig. 208-230	CALL	CALL
1	355017S	3FE, 1 ph sq. fig. 208-230	CALL	CALL
1	353319S	5FE, 1 ph, 5 HP, 208-230	CALL	CALL
1	355375S	3/4F, 1A std. sq. fig. 2 sp. 115 only, 28 lbs.	CALL	CALL
1	355232S	3/4F, 1A std. sq. fig. 2 sp. 230 only	CALL	CALL
1	355376S	1F, 1-1/2A std. sq. fig. 2 sp. 230 only	CALL	CALL
1	355377S	1-1/2F, 2A std. sq. fig. 2 sp. 230 only	CALL	CALL

Item	Part No.	Description	US List	Can. List
1	355378S	2F, 2-1/2A std. sq. fig. 2 sp. 230 only	CALL	CALL
2	355004Z	Plate, seal - black	CALL	CALL
3	355028	Plate, mounting 1/2F, 3/4F, 3/4A, 1A	36.59	43.97
3	355078	Plate, mounting 1F, 1-1/2F, 1-1/2A, 2A	23.02	27.66
3	355095	Plate, mounting 2F, 2-1/2A	39.76	47.78
3	355495	Plate, mounting 5F	21.27	25.56
4	354545S	Seal, 5/8 in. mechanical	44.23	53.15
	356210S	Seal, mechanical (ozone/salt resistant)	49.29	59.23
5	355043	Impeller, 1/2F, 3/4A	84.10	101.05
5	355067Z	Impeller, 3/4F, 1A	CALL	CALL
5	355074Z	Impeller, 1F, 1-1/2A	CALL	CALL
5	355086Z	Impeller, 1-1/2F, 2A	CALL	CALL
5	355093	Impeller, 2F, 2-1/2A	88.97	106.91
5	355068	Impeller, 3F 50 Hz/5F 60 Hz	85.78	103.07
6	355029	Diffuser, 1/2F, 3/4F, 3/4A, 1A	62.48	75.08
6	355077	Diffuser, 1F, 1-1/2F, 1-1/2A, 2A	62.48	75.08
6	355094	Diffuser, 2F, 2-1/2A	66.97	80.47
6	355069	Diffuser, 3F, 50 Hz/5F 60 Hz	57.77	69.42
7	354629	Band clamp assembly, complete	122.90	147.68

Note: Pumps and replacement motors that are single speed and one (1) Total HP or greater cannot be sold, offered for sale, or installed in a residential pool for filtration use in California, Title 20 CCR sections 1601-1609.

CALIFORNIA PROPOSITION 65 WARNING
 ⚠️ **WARNING:** Cancer and Reproductive Harm.
 ⚠️ **AVERTISSEMENT:** Peut Causer le Cancer et des Dommages au Système Reproducteur.
 ⚠️ **ADVERTENCIA:** Cáncer y Daño Reproductivo.
www.p65warnings.ca.gov

Replacement baskets on page 194.

CHALLENGER® HIGH FLOW PUMP (CONT'D)

REPLACEMENT PARTS

Item	Part No.	Description	US List	Can. List
CHALLENGER HIGH FLOW PUMPS				
8	355468Z	Housing, front, black ⁴	CALL	CALL
8	355469	Housing, front, almond ⁴	229.15	275.35
9	070429Z	Bolt, 3/8-16 X 7/8 SS Hex Head 18-8, 4 req.	4.86	5.84
10	355389Z	Screw, impeller locking	CALL	CALL
11	355305	Base, pump ¹	76.45	91.86
11B	355385	Adapter, 5-5/8 in. dia. motor ²	19.53	23.47
12	355334Z	Screw, No.8, 32 hex wsh. hd., 3 req.	4.86	5.84
13	355030Z	O-ring, diffuser (all except 5 HP)	14.49	17.41
13	355331Z	O-ring diffuser, 5 HP only	4.86	5.84
14	355329Z	O-ring, front housing	25.95	31.18
15	355335	Screw, 5/16, 18 x 1/2 in. SS hex hd., 2 req.	2.38	2.86
16	192115Z	O-ring, drain plug	3.90	4.69
17	357161Z	Plug, 1/4 in. drain	7.80	9.37
18	152060	Bolt, 5/16, 18 x 4 in. carriage ²	16.56	19.90
19	072173	Washer, 5/16 in. SS flat	2.73	3.28
20	174882	Knob (fits clamp w/ removable bolt only)	54.34	65.29
20	175025	Knob (fits clamp w/ captured T-bolt only)	54.34	65.29
21	355330Z	O-ring, strainer pot flange	CALL	CALL
22	354265	Screw, 5/16, 18 hex wsh. hd., 4 req.	3.31	3.98
23	357161Z	Plug, 1/4 in. drain	7.80	9.37
24	192115Z	O-ring, drain plug	3.90	4.69
25	355300Z	Strainer, pot, black ³	CALL	CALL
26	355318Z	Basket, plastic strainer	63.40	76.18
26	355441	Basket, SS Strainer (3F Only)	292.08	350.96
26	355901	Basket, SS strainer, 5F	633.13	760.77
27	350013Z	O-ring, lid	5.83	7.01
27	152509Z	Square ring, 8-1/2 in. (5 HP only)	11.33	13.61
28	355301Z	Lid, strainer pot	CALL	CALL
28	354112	Lid, strainer pot, chemical resistant	99.48	119.54
28	355902	Lid, strainer pot, 5F, clear	115.37	138.63
28	355914	Lid, strainer pot, 5F, black, chemical resistant	97.06	116.63
29	552377	Bushing, reducer 1/2F, 3/4F, 3/4A, 1A, 2 req.	22.11	26.57
31	154527Z	Wrench, 8-1/2 in.	CALL	CALL

Item	Part No.	Description	US List	Can. List
POWER END ASSEMBLIES (INCLUDES ITEMS 1-6, 9, 12 AND 13)				
	355637	CF-N1-3/4F, 1A std., 115/208-230	CALL	CALL
	355984	CF-N1-3/4FE, 1AE 115/208-230	CALL	CALL
	355639	CF-N1-1-1/2FE, 2AE 208-230	CALL	CALL
	355986	CF-N1-2FE, 2-1/2AE 208-230	CALL	CALL
	355641	CF-N2-1F, 1-1/2A 2 sp. std., 230 only	CALL	CALL
	345211	CFII-N1-5FE, power end	CALL	CALL
NOT SHOWN				
	355309	Union kit	169.33	203.47
	356199	Challenger Quick Kit (includes 4, 13, 14, 21, 27, 16, 24)	56.41	67.78
	357391	Pot Assembly, Black with SS basket (3F Only) Includes items 23-28	1065.38	1280.16
	359507	Pot Assembly, Black with plastic bracket (all models except 3F and 5F) Includes items 23-28.	398.77	479.16
	401014Z	Motor End Cap and Screw	40.15	48.24
	357924Z	Fan Guard Kit TEFC/Super-Duty	CALL	CALL

- ¹ Pump base (item 11) includes dual radius motor support adapter (item 11B) which fits both 5-5/8 in. & 6-1/2 in. dia. motors.
- ² Item 18, carriage bolt is a replacement part for old style clamp band assembly (item 7).
- ³ Includes items 23 & 24.
- ⁴ Includes items 16 & 17.

Note: Challenger booster pumps consist of 1-20.

Note: Challenger pumps consist of all items except No.15.

Note: When ordering replacement motor, give all information on motor name plate.

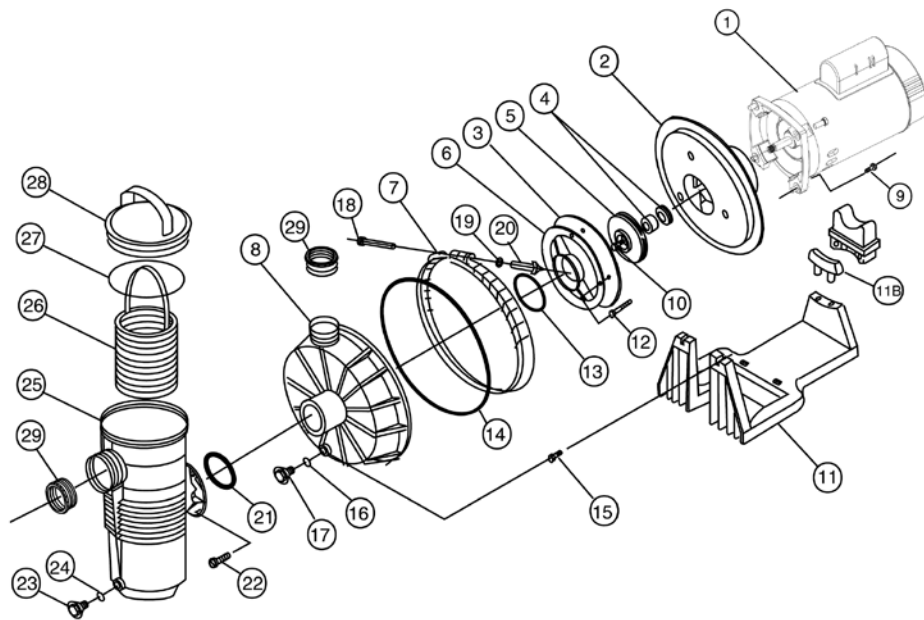
Note: Pumps and replacement motors that are single speed and one (1) Total HP or greater cannot be sold, offered for sale, or installed in a residential pool for filtration use in California, Title 20 CCR sections 1601-1609.

CALIFORNIA PROPOSITION 65 WARNING

WARNING: Cancer and Reproductive Harm.
AVERTISSEMENT: Peut Causer le Cancer et des Dommages au Système Reproducteur.
ADVERTENCIA: Cáncer y Daño Reproductivo.

www.p65warnings.ca.gov
PR030716A

CHALLENGER® HIGH PRESSURE PUMP REPLACEMENT PARTS



Item	Part No.	Description	US List	Can. List
CHALLENGER HIGH PRESSURE PUMP MOTORS				
1	354804S	3/4HP, 1SP,1PH, TEFC, 115/208-230	CALL	CALL
1	354822S	1HP, 1SP,1PH, TEFC, 115/208-230	622.43	747.91
1	354824S	1-1/2HP, 1SP,1PH, TEFC, 208-230	733.14	880.94
1	354816S	2HP, 1SP,1PH, TEFC, 208-230	873.51	1049.61
1	354818S	3HP, 1SP, 1PH, TEFC, 208-230	1141.45	1371.57
1	355019S	1/2F, 3/4A std. sq. fig., 115/208-230	CALL	CALL
1	355021S	3/4F, 1A std. sq. fig., 115/208-230	CALL	CALL
1	355023S	1F, 1-1/2A std. sq. fig., 115/208-230	CALL	CALL
1	355025S	1-1/2F, 2A std. sq. fig., 115/208-230	CALL	CALL
1	355027S	2F, 2-1/2A std. sq. fig., 208-230	CALL	CALL
1	355034S	3F std. sq. fig. 230 only	CALL	CALL
1	355009S	3/4FE, 1AE sq. fig. 115/208-230	CALL	CALL
1	355011S	1FE, 1-1/2AE sq. fig. 115/208-230	CALL	CALL
1	355013S	1-1/2FE, 2AE sq. fig. 208-230	CALL	CALL
1	355015S	2FE, 2-1/2AE sq. fig. 208-230	CALL	CALL
1	355017S	3FE, 1 ph sq. fig. 208-230	CALL	CALL
1	353319S	5FE, 1 ph, 5 HP, 208-230	CALL	CALL
1	355375S	3/4F, 1A std. sq. fig. 2 sp. 115 only, 28 lbs.	CALL	CALL
1	355232S	3/4F, 1A std. sq. fig. 2 sp. 230 only	CALL	CALL
1	355376S	1F, 1-1/2A std. sq. fig. 2 sp. 230 only	CALL	CALL
1	355377S	1-1/2F, 2A std. sq. fig. 2 sp. 230 only	CALL	CALL
1	355378S	2F, 2-1/2A std. sq. fig. 2 sp. 230 only	CALL	CALL
1	354806S	1 HP, 3 ph sq. fig. 208-230/460	664.45	798.40
1	354808S	1-1/2 HP, 3 ph sq. fig. 208-230/460	826.13	992.68
1	354810S	2 HP, 3 ph sq. fig. 208-230/460	921.65	1107.45
1	354812S	3HP, 3 ph sq. fig. 208-230/460	1115.65	1340.57
1	354814S	5HP, 3 ph, sq. fig. 208-230/460	1356.15	1629.55
2	355004Z	Plate, seal - black	CALL	CALL

Item	Part No.	Description	US List	Can. List
3	355384	Plate, mounting 1/2F, 3/4A	46.89	56.34
3	355317	Plate, mount 3/4F thru 3F, 1A thru 2-1/2A	23.02	27.66
4	354545S	Seal, 5/8 in. mechanical PS 200	44.23	53.15
	356210S	Seal, mechanical (ozone/salt resistant)	49.29	59.23
5	355147	Impeller, 1/2F, 3/4A	84.10	101.05
5	355187	Impeller, 3/4F, 1A	85.78	103.07
5	355369Z	Impeller, 1F, 1-1/2A	CALL	CALL
5	355315Z	Impeller, 1-1/2F, 2A	CALL	CALL
5	355604Z	Impeller, 2F, 2-1/2A ¹	CALL	CALL
5	355544	Impeller, 3F	114.13	137.14
6	355148	Diffuser, 1/2F, 3/4A	51.25	61.58
6	355188Z	Diffuser, 3/4F, 1F, 1A, 11/2A	CALL	CALL
6	355270Z	Diffuser, 1-1/2F, 2A	CALL	CALL
6	355545Z	Diffuser, 3F, 2.5A, 2F ²	CALL	CALL
7	355320	Band, clamp assembly complete	133.90	160.89
8	355468Z	Housing, front, black	CALL	CALL
8	355469	Housing, front, almond	229.15	275.35
9	070429Z	Bolt, 3/8-16 X 7/8 SS Hex Head 18-8, 4 req.	4.86	5.84
10	355389Z	Screw, imp. locking	CALL	CALL
11	355305	Base, pump ³	76.45	91.86
11B	355385	Adapter, 5-5/8 in. dia. motor ⁴	19.53	23.47
12	355334Z	Screw, 8-32 x 1 in. SS hex wsh. hd., 3 req.	4.86	5.84
13	355331Z	O-ring, diffuser	4.86	5.84

CALIFORNIA PROPOSITION 65 WARNING
 ⚠️ WARNING: Cancer and Reproductive Harm.
 ⚠️ AVERTISSEMENT: Peut Causer le Cancer et des Dommages au Système Reproducteur.
 ⚠️ ADVERTENCIA: Cáncer y Daño Reproductivo.
www.p65warnings.ca.gov

CHALLENGER® HIGH PRESSURE PUMP (CONT'D)

REPLACEMENT PARTS

Item	Part No.	Description	US List	Can. List
CHALLENGER HIGH PRESSURE PUMPS				
14	355329Z	O-ring, front housing	25.95	31.18
15	355335	Screw, 5/16 in., 18 x 1/2 in. SS hex wsh. hd., 2 req.	2.38	2.86
16	192115Z	O-ring, drain plug	3.90	4.69
17	357161Z	Plug, 1/4 in. drain	7.80	9.37
18	152060	Bolt, 5/16 in., 18 x 4 in. carriage ⁵	16.56	19.90
19	072173	Washer, 5/16 in. SS flat	2.73	3.28
20	174882	Knob (fits clamp w/ removable bolt only)	54.34	65.29
20	175025	Knob (fits clamp w/ captured t-bolt only)	54.34	65.29
21	355330Z	O-ring, strainer pot flange	CALL	CALL
22	354265	Screw, 5/16 in., 18 x 3/4 in. SS hex wsh. hd., 4 req.	3.31	3.98
23	357161Z	Plug, 1/4 in. drain	7.80	9.37
24	192115Z	O-ring, drain plug	3.90	4.69
25	355300Z	Pot strainer	CALL	CALL
26	355318Z	Basket, plastic strainer (all except 3F)	63.40	76.18
26	355441	Basket, SS strainer (3F only)	292.08	350.96
27	350013Z	O-ring, lid	5.83	7.01
28	355301Z	Lid, strainer pot	CALL	CALL
28	354112	Lid, strainer pot chemical resistant	99.48	119.54
29	552377	Bushing, reducer 1/2F, 3/4F, 3/4A, 1A	22.11	26.57
POWER END ASSEMBLIES (INCLUDES ITEMS 1-6, 9, 10, 12 AND 13)				
	355670	CH-N1-1/2F, 3/4A std. power end 115/208-230	CALL	CALL
	355671	CH-N1-3/4F, 1A std. power end 115/208-230	CALL	CALL
	355672	CH-N1-1F, 1-1/2A std. power end 115/208-230	CALL	CALL
	355669	CH-N1-11/2F, 2A std. power end 115/208-230	CALL	CALL
	355674	CH-N1-1FE, 1-1/2AE power end 115/208-230	CALL	CALL
	355675	CH-N1-1-1/2FE, 2AE power end 208-230	CALL	CALL
	355676	CH-N1-2FE, 2-1/2AE power end 208-230 ¹	CALL	CALL

Item	Part No.	Description	US List	Can. List
NOT SHOWN				
	355302	Housing booster pump	317.09	381.02
	355309	Union Kit	169.33	203.47
	357391	Pot Assembly, Black with SS basket (3F Only) Includes items 23-28	1065.38	1280.16
	359507	Pot Assembly, Black with plastic bracket (all models except 3F and 5F) Includes items 23-28.	398.77	479.16
	356199	Challenger Quick Kit (includes 4, 13, 14, 21, 27, 16, 24)	56.41	67.78
	401014Z	Motor End Cap and Screw	40.15	48.24
	357924Z	Fan Guard Kit TEFC/Super-Duty	CALL	CALL

¹ Used on 2F, 2-1/2A pumps built after 10-1-92.

² Used on 2F, 2-1/2A pumps built prior to 10-1-92. Must replace w/ both diffuser 355545Z & impeller 355604Z.

³ Pump base, (item 11) includes dual radius motor support adapter (item 11B), which fits both 5-5/8 in. & 6-1/2 in. dia. motors.

⁴ Item 11A motor support is a replacement part that fits only older style pump bases with rectangular opening.

⁵ Carriage bolt (item 18) fits prev. style clamp band assembly (item 7).

Note: Challenger booster pumps consist of items 1-20.

Note: Challenger pool pumps consist of all items except item 15.

Note: Pumps and replacement motors that are single speed and one (1) Total HP or greater cannot be sold, offered for sale, or installed in a residential pool for filtration use in California, Title 20 CCR sections 1601-1609.

CALIFORNIA PROPOSITION 65 WARNING

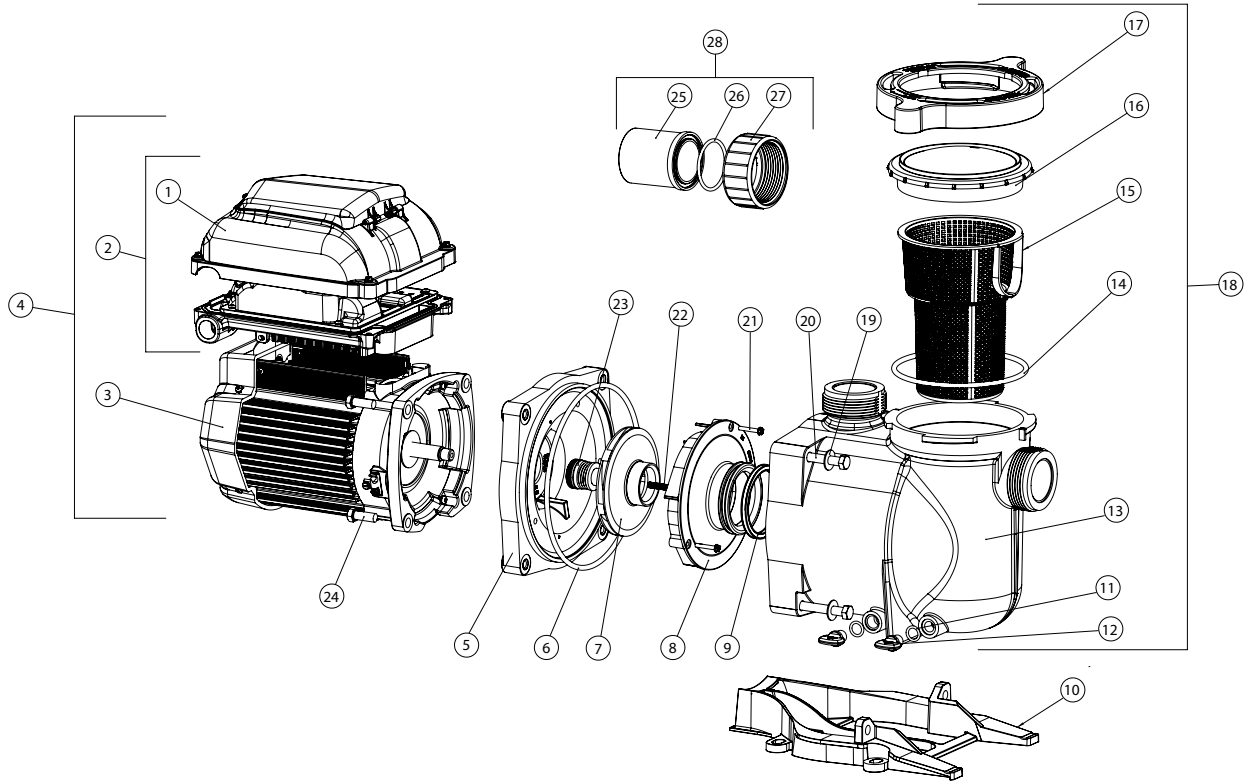
▲ **WARNING:** Cancer and Reproductive Harm.
▲ **AVERTISSEMENT:** Peut Causer le Cancer et des Dommages au Système Reproducteur.
▲ **ADVERTENCIA:** Cáncer y Daño Reproductivo.

www.p65warnings.ca.gov
P192017A

SUPERFLO® VS/VST VARIABLE SPEED PUMP- AFTER OCTOBER 2020

SUPERMAX® VS VARIABLE SPEED PUMP- AFTER OCTOBER 2020

REPLACEMENT PARTS



SUPERFLO® VS/VST VARIABLE SPEED PUMP- AFTER OCTOBER 2020

SUPERMAX® VS VARIABLE SPEED PUMP- AFTER OCTOBER 2020

REPLACEMENT PARTS

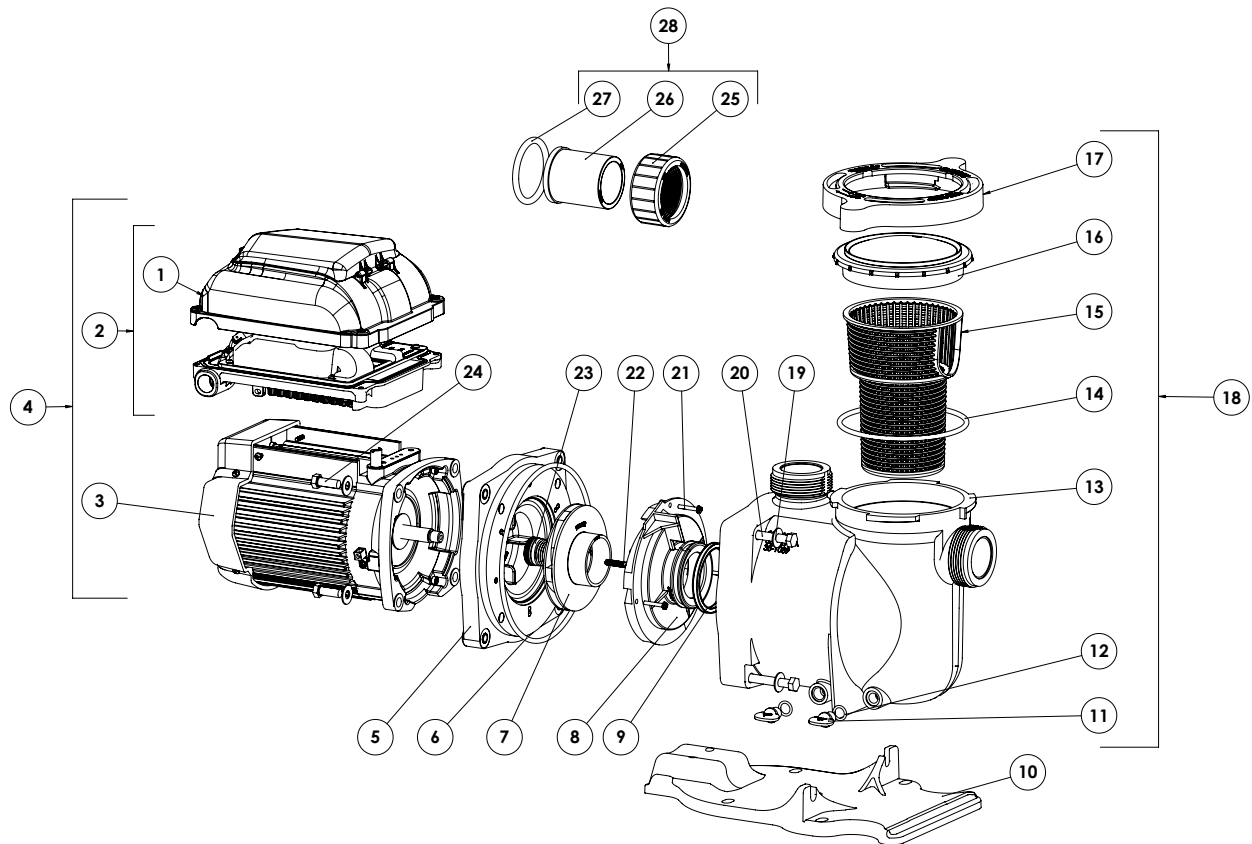
Item	Part No.	Description	US List	Can. List
SUPERFLO VS/VST & SUPERMAX VS VARIABLE SPEED PUMPS				
1	353123	Drive Cover, Almond	458.94	551.46
1	356279	Drive Cover (RS-485), Almond	485.35	583.20
1	356280	Drive Cover (RS-485), Black	485.35	583.20
2	356282	Drive Kit, (RS-485), Almond	1327.11	1594.66
2	356283	Drive Kit, (RS-485), Black	1327.11	1594.66
3	356286S	Motor TEFC, Almond	CALL	CALL
3	356287S	Motor TEFC, Black	CALL	CALL
4	356288S	Motor/Drive Assembly, Almond	CALL	CALL
4	356289S	Motor/Drive Assembly (RS-485), Almond	CALL	CALL
4	356290S	Motor/Drive Assembly (RS-485), Black	CALL	CALL
5	356071Z	Sealplate ⁴ , Almond	134.62	161.76
5	356072Z	Sealplate, Black	134.62	161.76
6	355619Z	Sealplate Gasket	16.72	20.09
7	C105-238PDCA	Impeller	124.42	149.50
8	355949Z	Diffuser	148.30	178.20
9	355331Z	Diffuser Seal	4.86	5.84
10	350094	Base, Almond	148.70	178.68
10	351094	Base, Black	148.72	178.70
11	071131Z	Drain Plug, Almond (2 req.)	9.51	11.43
11	357161Z	Drain Plug, Black (Qty. 2)	7.80	9.37
12	192115Z	O-Ring Drain Plug (Qty. 2)	3.90	4.69
13	350089Z	Strainer Pot, Almond	CALL	CALL
13	351089	Strainer Pot, Black	422.73	507.95
14	357255Z	Lid O-Ring	8.53	10.25
15	355667Z	Strainer Basket	CALL	CALL
16	350091Z	Lid	CALL	CALL
17	350090Z	Locking Ring, Almond	CALL	CALL
17	351090	Locking Ring, Black	62.53	75.14
18	353010	Strainer Pot Assembly, Almond (Includes Items 11-17)	624.26	750.11
18	353110	Strainer Pot Assembly, Black (Includes Items 11-17)	582.61	700.06
19	072184	Washer 3/8 In. SS, (Qty. 4)	2.38	2.86
20	355621	Bolt, Hex 3/8-16 X 2 1/4, (Qty. 4)	7.71	9.26
21	355334Z	Diffuser Screw (Qty. 3)	4.86	5.84
22	355389Z	Impeller Screw	CALL	CALL
23	17351-0101S	Shaft Seal	40.29	48.41
24	354290	Bolt, Hex, 3/8-16 (Qty. 4)	CALL	CALL
25	350093	Union Adapter, (Qty. 2)	28.10	33.76
26	6020018Z	Union Adapter O-ring (Qty. 2)	CALL	CALL
27	270141Z	Union Nut, Black (Qty. 2)	CALL	CALL
28	351157	SuperFlo/SuperMax Union Kit (includes items 25-27) (Qty 2)	130.75	157.11
*	356324Z	RS-485 Automation Wiring Kit, 25 ft.	116.13	139.54
*	357923Z	Motor Fan Guard Kit, TEFC Super-Duty, Almond	CALL	CALL
*	357924Z	Motor Fan Guard Kit, TEFC Super-Duty, Black	CALL	CALL

* Not Shown

SUPERFLO® VS/VST VARIABLE SPEED PUMP- BEFORE NOVEMBER 2020

SUPERMAX® VS VARIABLE SPEED PUMP- BEFORE NOVEMBER 2020

REPLACEMENT PARTS



SUPERFLO® VS/VST VARIABLE SPEED PUMP- BEFORE NOVEMBER 2020

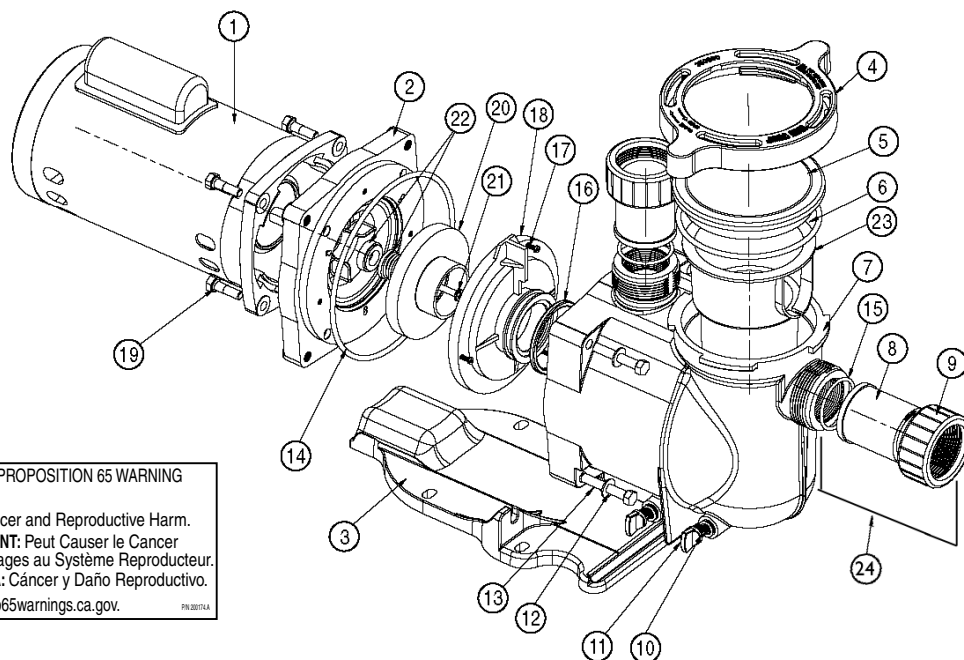
SUPERMAX® VS VARIABLE SPEED PUMP- BEFORE NOVEMBER 2020

REPLACEMENT PARTS

Item	Part No.	Description	US List	Can. List
SUPERFLO VS/VST & SUPERMAX VS VARIABLE SPEED PUMPS				
1	353123	Drive Cover, Almond	458.94	551.46
1	353124	Drive Cover, Black	458.94	551.46
2	353127	Drive Kit, Almond	1262.04	1516.47
2	353128	Drive Kit, Black	1262.04	1516.47
3	353134S	Motor, Almond	849.02	1020.18
3	353135S	Motor, Black	849.02	1020.18
4	353132S	Motor/Drive Assembly, Almond	CALL	CALL
4	353133S	Motor/Drive Assembly, Black	CALL	CALL
5	356012Z	Sealplate, Almond (Mfg. Before 06/17/19)	CALL	CALL
5	355612	Sealplate, Black (Mfg. Before 06/17/19)	134.63	161.77
5	356071Z	Sealplate, Almond (Mfg. After 06/17/19)	134.62	161.76
5	356072Z	Sealplate, Black (Mfg. After 06/17/19)	134.62	161.76
6	355619Z	Sealplate Gasket	16.72	20.09
7	355074Z	Impeller (Mfg. Before 06/17/19)	CALL	CALL
7	C105-238PDCA	Impeller (Mfg. After 06/17/19)	124.42	149.50
8	355618	Diffuser (Mfg. Before 06/17/19)	148.31	178.21
8	355949	Diffuser (Mfg. After 06/17/19)	CALL	CALL
9	355030Z	Diffuser Seal (Mfg. Before 06/17/19)	14.49	17.41
9	355331Z	Diffuser Seal (Mfg. After 06/17/19)	4.86	5.84
10	350094	Base, Almond	148.70	178.68
10	351094	Base, Black	148.72	178.70
11	071131Z	Drain Plug, Almond (2 req.)	9.51	11.43
11	357161Z	Drain Plug, Black (2 req.)	7.80	9.37
12	192115Z	O-Ring Drain Plug (Qty. 2)	3.90	4.69
13	350089Z	Strainer Pot, Almond	CALL	CALL
13	351089	Strainer Pot, Black	422.73	507.95
14	357255Z	Lid O-Ring	8.53	10.25
15	355667Z	Strainer Basket	CALL	CALL
16	350091Z	Lid	CALL	CALL
17	350090Z	Locking Ring, Almond	CALL	CALL
17	351090	Locking Ring, Black	62.53	75.14
18	353010	Strainer Pot Assembly, Almond (Includes Items 11-17)	624.26	750.11
18	353110	Strainer Pot Assembly, Black (Includes Items 11-17)	582.61	700.06
19	072184	Washer 3/8 In. SS, (Qty. 4)	2.38	2.86
20	355621	Bolt, Hex 3/8-16 X 2 1/4, (Qty. 4)	7.71	9.26
21	355334Z	Diffuser Screw (Qty. 3)	4.86	5.84
22	355389Z	Impeller Screw	CALL	CALL
23	354545S	Shaft Seal (Mfg. Before 06/17/19)	44.23	53.15
23	17351-0101S	Shaft Seal (Mfg. After 06/17/19)	40.29	48.41
24	354290	Bolt, Hex, 3/8-16 (Qty. 4)	CALL	CALL
25	350093	Union Adapter, (Qty. 2)	28.10	33.76
26	6020018Z	Union Adapter O-ring (Qty. 2)	CALL	CALL
27	270141Z	Union Nut, Black (Qty. 2)	CALL	CALL
28	351157	SuperFlo/SuperMax Union Kit (includes items 25-27) (Qty 2)	130.75	157.11
*	353129Z	Digital Input Wiring Kit, 25 ft.	CALL	CALL
*	357923Z	Motor Fan Guard Kit, TEFC Super-Duty, Almond	CALL	CALL
*	357924Z	Motor Fan Guard Kit, TEFC Super-Duty, Black	CALL	CALL

* Not Shown

SUPERFLO® PUMP REPLACEMENT PARTS



CALIFORNIA PROPOSITION 65 WARNING
 ⚠️ **WARNING:** Cancer and Reproductive Harm.
 ⚠️ **AVERTISSEMENT:** Peut Causer le Cancer et des Dommages au Système Reproducteur.
 ⚠️ **ADVERTENCIA:** Cáncer y Daño Reproductivo.
www.p65warnings.ca.gov P8 201514

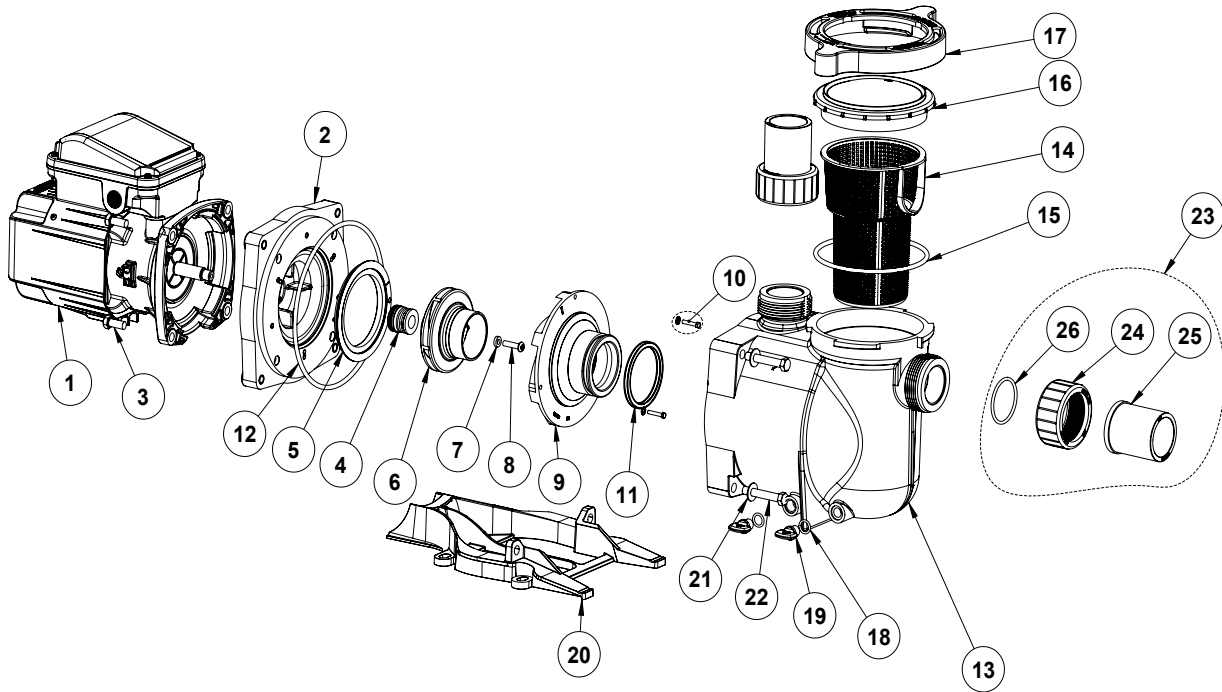
Item	Part No.	Description	US List	Can. List
SINGLE SPEED SUPERFLO MOTORS				
1	354803S	3/4 HP Motor, 1SP, 1PH, TEFC 115/208-230	CALL	CALL
1	354821S	1 HP Motor, 1SP, 1PH, TEFC 115/208-230	622.43	747.91
1	354823S	1-1/2 HP Motor, 1SP, 1PH, TEFC 208-230	733.14	880.94
1	354815S	2 HP Motor, 1SP, 1PH, TEFC 208-230	873.51	1049.61
1	355018S	1/2 HP Motor SQFL, 1 Speed, 1 phase, 115/208-230, 60 Hz, almond	CALL	CALL
1	355018S	3/4 HP Motor SQFL, 1 Speed, 1 phase, 115/208-230, 60 Hz, almond	CALL	CALL
1	355020S	1 HP Motor SQFL, 1 Speed, 1 phase, 115/208-230, 60 Hz, almond	CALL	CALL
1	355022S	1-1.2 HP Motor SQFL, 1 Speed, 1 phase, 115/208-230, 60 Hz, almond	CALL	CALL
1	355024S	2 HP Motor SQFL, 1 Speed, 1 phase, 6115/208-230, 60 Hz, almond	CALL	CALL
1	355026S	2-1/2 HP Motor SQFL, 1 Speed, 1 phase, 208-230, 60 Hz, almond	CALL	CALL
2 SPEED SUPERFLO MOTORS				
1	355003S	1 HP Motor SQFL, 2 Speed, 1 phase, 60 Hz	CALL	CALL
1	356630S	1-1/2 HP Motor SQFL, 2 Speed, 1 phase, 60 Hz	CALL	CALL
1	071320S	2 HP Motor SQFL, 2 Speed, 1 phase, 60 Hz	CALL	CALL
ENERGY EFFICIENT SUPERFLO MOTORS				
1	355008S	1/2 HP Motor SQFL, 1 Speed, 1 phase, 60 Hz, 115/208-230, almond	CALL	CALL
1	355008S	3/4 HP Motor SQFL, 1 Speed, 1 phase, 60 Hz, 115/208-230, almond	CALL	CALL
1	355008S	1 HP Motor SQFL, 1 Speed, 1 phase, 60 Hz, 115/208-230, almond	CALL	CALL
1	355010S	1.5 HP Motor SQFL, 1 Speed, 1 phase, 60 Hz, 115/208-230, almond	CALL	CALL
1	355012S	2 HP Motor SQFL, 1 Speed, 1 phase, 60 Hz, 208-230, almond	CALL	CALL
SUPERFLO PUMPS				
2	356012Z	Seal plate	CALL	CALL
3	350094	Base	148.70	178.68
4	350090Z	Clamp, Cam & Ramp®	CALL	CALL
5	350091Z	Lid	CALL	CALL
6	357255Z	O-ring, lid No. 2-357	8.53	10.25
7	350089Z	Volute	CALL	CALL
8	350093	Adaptor, 2 req.	28.10	33.76

Item	Part No.	Description	US List	Can. List
9	270141Z	Nut, 2 req.	CALL	CALL
10	192115Z	O-ring drain plug, 2 req.	3.90	4.69
11	071131Z	Drain plug, (2 req.)	9.51	11.43
12	355621	Screw, 3/4-16 x 2-1/4 Hex hd, 4 req.	7.71	9.26
13	072184	Washer, 3/8 in. SS, 4 req.	2.38	2.86
14	355619Z	O-ring, 1 req.	16.72	20.09
15	6020018Z	O-ring adaptor No.2-226, 2 req.	CALL	CALL
16	355030Z	Seal diffuser	14.49	17.41
17	355334Z	Screw, No.8-32 hex washer HD, 3 req.	4.86	5.84
22	354545S	Seal set	44.23	53.15
	356210S	Seal, mechanical, ozone/salt resistant	49.29	59.23
23	355667Z	Basket large	CALL	CALL
SUPERFLO DIFFUSERS				
18	355617	Diffuser, 1/2 HP	148.31	178.21
18	355617	Diffuser, 3/4 HP	148.31	178.21
18	355617	Diffuser, 1 HP	148.31	178.21
18	355618	Diffuser, 1-1/2 HP	148.31	178.21
18	355618	Diffuser, 2 HP	148.31	178.21
18	350170	Diffuser, 2-1/2 HP	146.07	175.52
19	U30-74SS	Hex head screw, 3/8, 16, 4 req.	6.76	8.12
SUPERFLO IMPELLERS				
20	355043	Impeller 1/2 HP	84.10	101.05
20	355043	Impeller 3/4 HP	84.10	101.05
20	355067Z	Impeller 1 HP	CALL	CALL
20	355074Z	Impeller 1-1/2 HP	CALL	CALL
20	355086Z	Impeller 2 HP	CALL	CALL
20	355093	Impeller 2-1/2 HP	88.97	106.91
21	355389Z	Screw, impeller locking	CALL	CALL
KITS				
24	351157	SuperFlo/SuperMax Union Kit, items 8, 9 & 15 (2 of each included)	130.75	157.11
NOT SHOWN				
	7912990	2-Speed Toggle Switch	75.42	90.62
	400013Z	Motor End Cap and Screw	40.15	48.24
	357923Z	Fan Guard Kit TEFC/Super-Duty	CALL	CALL
	356197	SuperFlo Quick Kit (includes 22, 14, 10(x2), 16, 6)	50.13	60.24

Note: Pumps and replacement motors that are single speed and one (1) Total HP or greater cannot be sold, offered for sale, or installed in a residential pool for filtration use in California, Title 20 CCR sections 1601-1609.

SUPERFLO® DOE PUMP

REPLACEMENT PARTS



Replacement Parts for Product #348190

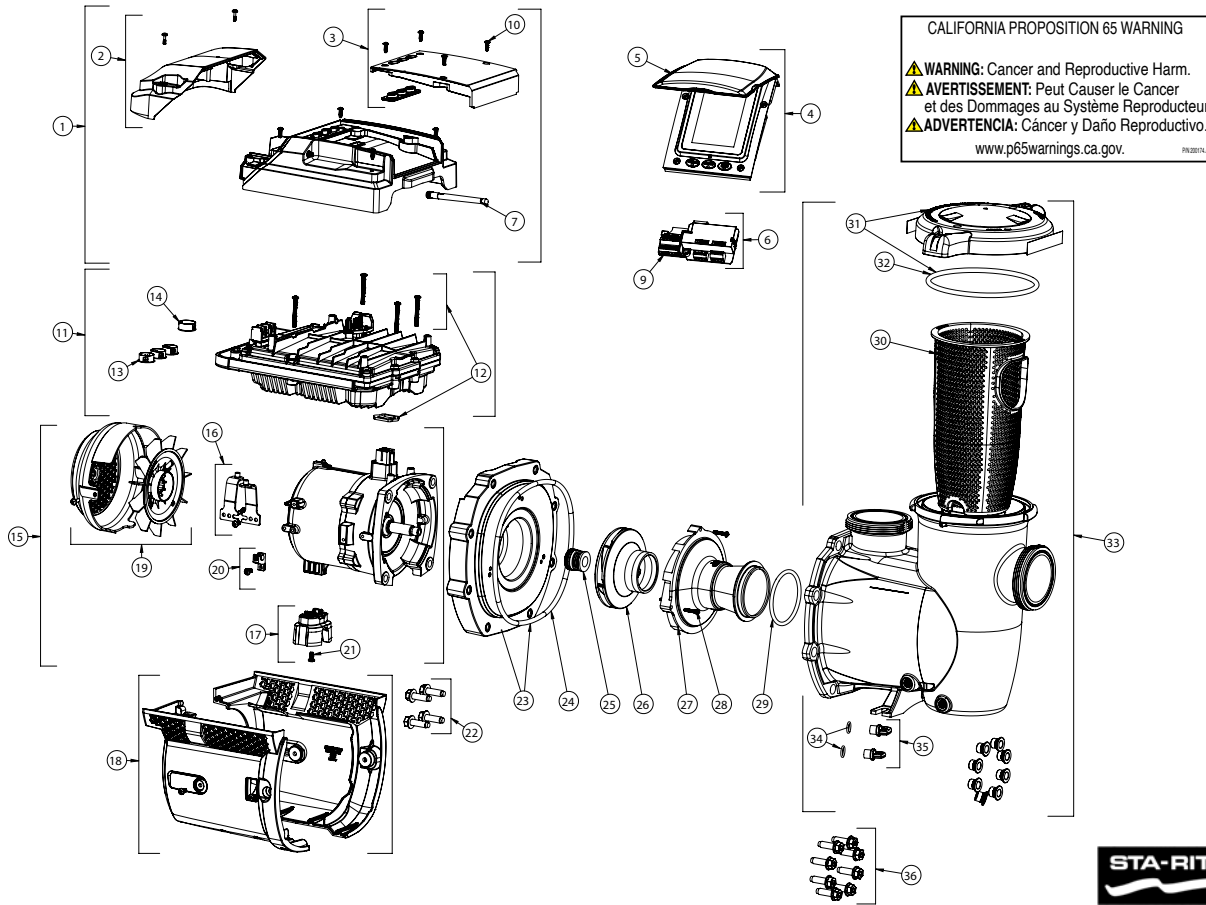
Item	Part No.	Description	US List	Can. List
DOE PUMP				
1	356363S	Motor	CALL	CALL
2	356012Z	Seal Plate	CALL	CALL
3	070249	Bolt, Motor (Qty. 4)	CALL	CALL
4	354545SS	Shaft Seal Set	CALL	CALL
5	356357Z	Hydraulic Isolator	36.29	43.61
6	356356Z	Impeller	90.70	108.99
7	075713Z	Washer, Impeller Screw	CALL	CALL
8	071652Z	Screw, Impeller	4.86	5.84
9	356358Z	Diffuser	141.50	170.03
10	356213Z	Screw, Diffuser #8-32 X 7/8" (Qty. 3)	10.87	13.06
11	355030	Diffuser Seal	CALL	CALL
12	355619	O-Ring, Seal Plate	CALL	CALL
13	350089Z	Strainer Pot	CALL	CALL
14	355667Z	Strainer Basket	CALL	CALL

Item	Part No.	Description	US List	Can. List
DOE PUMP				
15	357255	O-Ring, Lid	CALL	CALL
16	350091Z	Lid	CALL	CALL
17	350090Z	Locking Ring	CALL	CALL
18	192115Z	O-Ring, Drain Plug, (Qty. 2)	3.90	4.69
19	071131Z	Drain Plug (Qty. 2)	9.51	11.43
20	350094	Base	148.70	178.68
21	072184	Washer, Strainer Pot, (Qty. 4)	2.38	2.86
22	355621	Bolt, Strainer Pot (Qty. 4)	7.71	9.26
23	351157	Union Kit (Includes Items 24-26)	130.75	157.11
24	270141Z	Union Nut (Qty. 2)	CALL	CALL
25	350093	Union Adapter (Qty. 2)	28.10	33.76
26	6020018Z	Union O-Ring (Qty. 2)	CALL	CALL
-	357809	Motor Fan Guard	CALL	CALL

CALIFORNIA PROPOSITION 65 WARNING
 ⚠️ **WARNING:** Cancer and Reproductive Harm.
 ⚠️ **AVERTISSEMENT:** Peut Causer le Cancer et des Dommages au Système Reproducteur.
 ⚠️ **ADVERTENCIA:** Cáncer y Daño Reproductivo.
www.p65warnings.ca.gov P6500174A

INTELLIPRO3®

VARIABLE SPEED AND FLOW POOL PUMP REPLACEMENT PARTS



CALIFORNIA PROPOSITION 65 WARNING
 ⚠️ WARNING: Cancer and Reproductive Harm.
 ⚠️ AVERTISSEMENT: Peut Causer le Cancer et des Dommages au Système Reproducteur.
 ⚠️ ADVERTENCIA: Cáncer y Daño Reproductivo.
 www.p65warnings.ca.gov. P422071.1

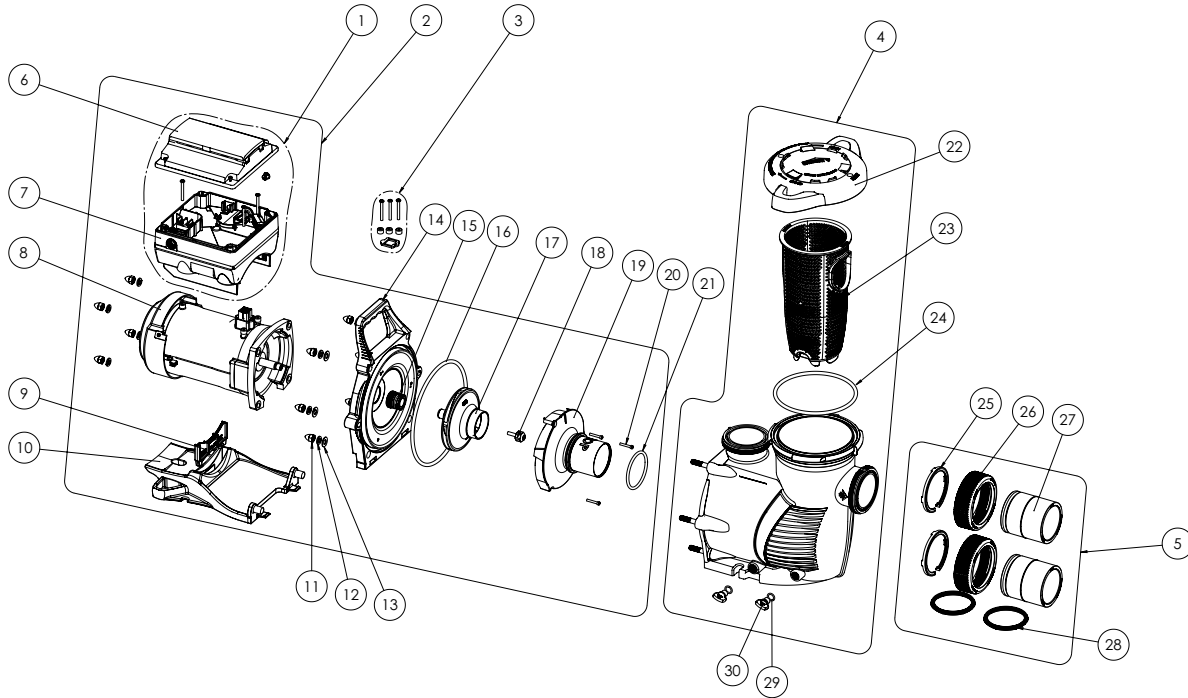


Item	Part No.	Description	US List	Can. List
SYSTEM				
1	356349z	Drive Cover Assembly	415.89	499.73
2	356337z	Field Wiring Compartment Kit	41.59	49.97
3	356338z	Blank Controller Kit	41.11	49.40
4	356348z	Touchscreen Controller Kit	600.83	721.96
5	356339z	Touchscreen Lid	31.45	37.79
6	356365z	Relay Control Board Kit	358.78	431.11
7	356226z	Antenna	17.19	20.66
—	8023304	4-Pin Connector, RS-485	CALL	CALL
9	8023306	6-Pin Connector, Relay Control Board	CALL	CALL
10	356215z	Controller Screw (x4)	6.41	7.70
11	356163z	Drive and Drive Hardware Kit	1759.53	2114.25
12	357865	Drive Hardware Kit	19.20	23.07
13	356219z	7/8" Plug, Drive (x3)	7.45	8.95
14	356320z	1" Bushing, Low Voltage, Drive	7.45	8.95
15	356165s	Motor Kit	1279.66	1537.64
16	356167z	Motor Bracket Kit	16.00	19.23
17	356341z	Motor Foot Kit	11.20	13.46
18	357870	Motor Shroud Kit	95.97	115.32
19	357866z	Motor Fan Kit	63.99	76.89
20	356166z	Bonding Lug	14.19	17.05

Item	Part No.	Description	US List	Can. List
21	356221z	Motor Foot Screw	4.46	5.36
22	074165z	Motor Bolts (x4)	17.91	21.52
23	356345z	Seal Plate Kit	143.96	172.98
24	356173z	Seal Plate O-ring	11.51	13.83
25	356210s	Shaft Seal	49.29	59.23
26	356177z	Impeller	79.97	96.09
27	356156z	Diffuser	79.97	96.09
28	356213z	Diffuser Screws (x3)	10.87	13.06
29	356190z	Diffuser O-ring	5.95	7.15
30	400007z	Strainer Basket	53.43	64.20
31	356368z	Lid Assembly	89.57	107.63
32	356189z	Lid O-ring	26.87	32.29
33	356347z	Strainer Pot Kit	399.90	480.52
34	192115z	Drain Plug O-ring (x2)	3.90	4.69
35	071131z	Drain Plug and O-ring (x2)	9.51	11.43
36	074164z	Seal Plate-to-Strainer Pot Bolts (x8)	29.87	35.89
NOT SHOWN				
—	357872	Seal Kit	35.76	42.97
—	410028	2" / 2.5" Union Kit	84.77	101.86
—	410029	3" Union Kit	94.96	114.10
—	410016z	Union O-ring - Diamond Seal	18.28	21.97
—	357833z	Riser Plate Kit - Thin (A/B Base)	57.59	69.20

INTELLIPROXF® VSF PUMP INTELLIPROXF VS PUMP - AFTER AUGUST 2015

REPLACEMENT PARTS



Item	Part No.	Description	US List	Can. List
INTELLIPROXF/INTELLIFLOXF VS PUMP				
1	352032Z	Drive Kit (VSF model)	CALL	CALL
1	356893Z	Drive Kit (VS model)	CALL	CALL
2	401655Z	Power End Kit (VS model)	3984.88	4788.23
3	355685	Drive Hardware Kit	167.05	200.73
4	401000	Wet End Assembly	485.54	583.42
5	410020	Union Kit w/o Tap	221.19	265.78
6	358527Z	Keypad Assembly Kit	527.74	634.13
7	356898Z	Drive (VSF model)	CALL	CALL
7	356892Z	Drive (VS model)	CALL	CALL
8	350306S	Motor	CALL	CALL
9	357160	Motor Support Insert	29.73	35.72
10	401004Z	Motor Base	59.26	71.21
11	071413	Acorn Nut (Qty. 10)	1.87	2.25
12	U43-12SS	Lock Washer (Qty. 10)	4.14	4.97
13	072184	Flat Washer (Qty. 6)	2.38	2.86
14	401002	Seal Plate	320.90	385.59
15	17351-0101S	Mechanical Seal	40.29	48.41
16	351446Z	Seal Plate O-Ring	CALL	CALL
17	400015Z	Impeller Assembly (includes screw and washer)	195.58	235.01
18	37337-6080	Impeller Screw, Plastic-Head (pumps mfg. before 10/7/2019)	29.74	35.74
18	356073	Impeller Screw, Metal-Head (pumps mfg. after 10/7/2019)	11.64	13.99
19	400010	Diffuser	140.43	168.74

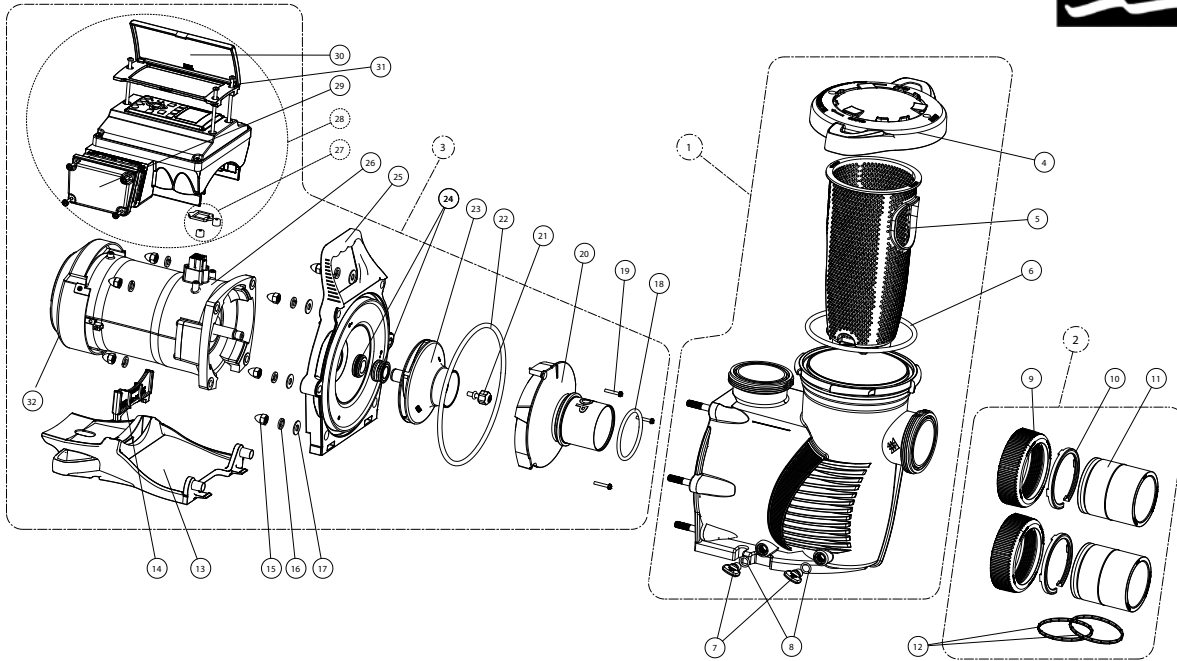
Item	Part No.	Description	US List	Can. List
20	353323	Diffuser Screws	5.06	6.08
21	350336Z	Diffuser O-Ring	CALL	CALL
22	401006	Lid/Locking Ring Assembly	85.44	102.66
23	400007Z	Strainer Basket	53.43	64.20
24	35505-1440Z	Lid/Locking Ring O-Ring	CALL	CALL
25	410001	2.5" C-Clip Locking Ring (Qty. 2)	10.83	13.01
26	411000	2.5" Union Nut (Qty. 2)	29.72	35.71
27	410002	2.5" Union Adapter w/o Tap (Qty. 2)	51.26	61.59
28	410016Z	2.5" Diamond Seal Kit (Qty. 2)	18.28	21.97
29	192115Z	Drain Plug O-Ring (Qty. 2)	3.90	4.69
30	357161Z	Drain Plug (Qty. 2)	7.80	9.37

NOT SHOWN				
	356905Z	Keypad Relocation Kit	114.71	137.84
	400032Z	Seal Plate w/Mech Seal	310.77	373.42
	350122Z	50 Ft. Communication Cable	CALL	CALL
	352501	Motor Fan Kit	268.24	322.32
	072172	Impeller Screw Washer	0.38	0.46

CALIFORNIA PROPOSITION 65 WARNING
⚠️ WARNING: Cancer and Reproductive Harm.
⚠️ AVERTISSEMENT: Peut Causer le Cancer et des Dommages au Système Reproducteur.
⚠️ ADVERTENCIA: Cáncer y Daño Reproductivo.
www.p65warnings.ca.gov

INTELLIPROXF® VARIABLE SPEED PUMP - BEFORE AUGUST 2015

REPLACEMENT PARTS



Item	Part No.	Description	US List	Can. List
INTELLIPRO XF PUMP				
1	401000	Wet End Assembly	485.54	583.42
2	410020	Union Kit Without Tap	221.19	265.78
3	401605Z	Power End Assy w/ Drive & Motor	CALL	CALL
4	401006	Lid/Locking Ring Assy	85.44	102.66
5	400007Z	XF Series Replacement Basket	53.43	64.20
6	35505-1440Z	Lid/Locking Ring O-Ring	CALL	CALL
7	357161Z	Drain Plug (2 req.)	7.80	9.37
8	192115Z	Drain Plug O-ring (2 req.)	3.90	4.69
9	411000	2.5 in. Union Nut	29.72	35.71
10	410001	2.5 in. C-Clip Locking Ring	10.83	13.01
11	410002	2.5 in. Union Adapter	51.26	61.59
12	410016Z	2.5 in. Diamond Seal Kit - (Includes two)	18.28	21.97
13	401004Z	Motor Base	59.26	71.21
14	357160	Motor Support Insert- Black	29.73	35.72
15	071413	Acorn Nut (each)	1.87	2.25
16	U43-12SS	Split Lock Washer (each)	4.14	4.97
17	072184	Flat Washer (each)	2.38	2.86
18	350336Z	Diffuser O-ring	CALL	CALL
19	353323	Diffuser Screw	5.06	6.08
20	400010	Diffuser	140.43	168.74
21	37337-6080	Impeller, Plastic-Head (pumps mfg. before 10/07/19)	29.74	35.74

Item	Part No.	Description	US List	Can. List
	356073	Impeller Screw, Metal-Head (pumps mfg. after 10/7/2019)	11.64	13.99
22	351446Z	Seal Plate O-Ring	CALL	CALL
23	400015Z	Impeller Assembly (includes screw and washer)	195.58	235.01
24	17351-0101S	Mechanical Seal Assembly	40.29	48.41
25	401002	Seal Plate	320.90	385.59
26	357294S	Motor Kit	CALL	CALL
27	350612	Drive Hardware and Gasket Kit (Incl. item # 31)	167.05	200.73
28	353252	Variable Speed Drive Assy Kit	CALL	CALL
29	353310	Field Wiring Comp Kit w/ Gasket	148.36	178.27
30	350701	Control Cover Assy Kit (incl. item #27) ¹	334.66	402.13
30	401100	Control Cover Assy Kit (incl. item #27) ²	334.66	402.13
31	350107	Screw 10-24 x 3-1/4 in. PH MS 18-8SS (Qty. 3)	6.47	7.77
32	352501	Motor Fan Kit (contains Fan, Shroud, Hardware)	268.24	322.32
NOT SHOWN				
	400032Z	Seal Plate Kit w/ Mech Seal	310.77	373.42
	400012	Riser Plate XF to Challenger	102.52	123.19
	350122Z	50 Ft. Communication Cable	CALL	CALL
	072172	Impeller Screw Washer	0.38	0.46

¹ Used on pumps manufactured before 7/2/13
² Used on pumps manufactured after 7/2/13 to present

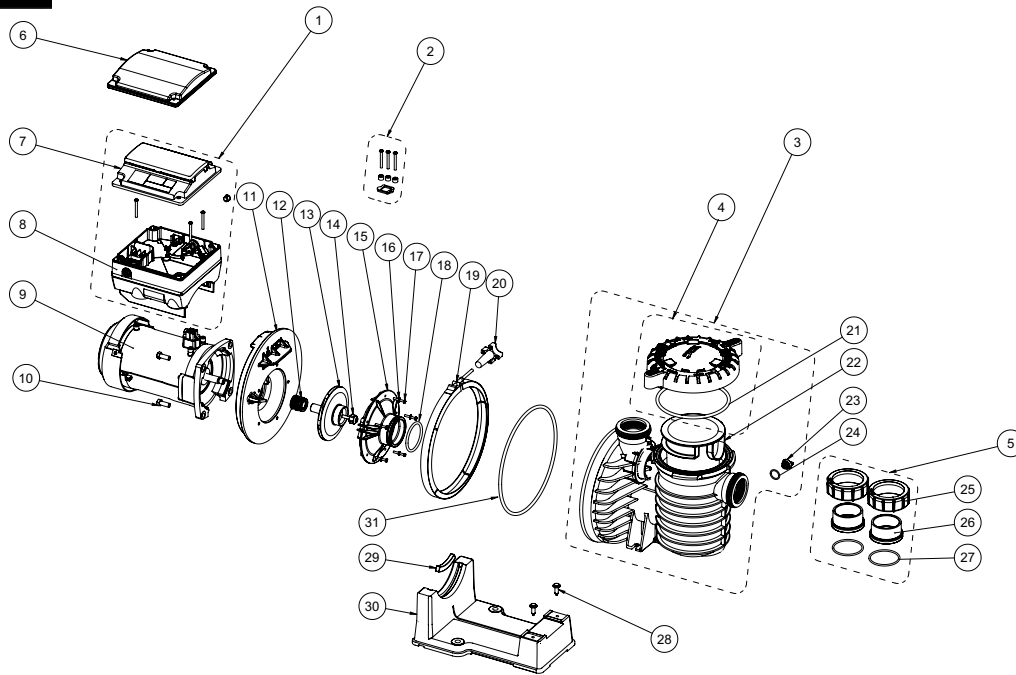
CALIFORNIA PROPOSITION 65 WARNING

⚠ **WARNING:** Cancer and Reproductive Harm.
 ⚠ **AVERTISSEMENT:** Peut Causer le Cancer et des Dommages au Système Reproducteur.
 ⚠ **ADVERTENCIA:** Cáncer y Daño Reproductivo.
www.p65warnings.ca.gov

INTELLIPRO® VSF PUMP/INTELLIPRO 2 VST PUMP INTELLIPRO VS PUMP - AFTER 2018



REPLACEMENT PARTS



Item	Part No.	Description	US List	Can. List
INTELLIPRO PUMP				
1	353141Z	Drive Kit w/Keypad (Includes Item #2, 7 and 8) (VSF model)	CALL	CALL
1	356893Z	Drive Kit w/Keypad (Includes Item #2, 7 and 8) (2VST and VS models)	CALL	CALL
2	355685	Drive Kit Hardware Kit (Includes Drive Screws, Drive Gasket and Screw Caps)	167.05	200.73
3	17307-0110S	Tank Body Assembly (Includes Trap Cover and Items #21-24)	479.32	575.95
4	17307-0111S	Trap Cover Assembly (Includes Trap Cover and Item #21)	108.40	130.25
5	42001-0402	2" Slip Union Half Kit (Includes Items #25-27)	60.58	72.79
6	356905Z	Keypad Relocation Kit (Includes Keypad Relocation Cable and Blank Drive Cover)	114.71	137.84
7	358527Z	Keypad Assembly Kit	527.74	634.13
8	356657Z	Drive (VSF model)	CALL	CALL
8	356892Z	Drive (2VST and VS models)	CALL	CALL
9	350306S	Motor 3.2 KW Ferrite Blk	CALL	CALL
10	070429Z	Bolt, 3/8-16 X 7/8 SS Hex Head 18-8, 4 req.	4.86	5.84
11	C103-194P	Seal Plate	109.87	132.02
12	17351-0101S	Shaft Seal, EPDM black	40.29	48.41
13	C105-238PLA	Impeller Assembly	129.33	155.40
14	37337-6080	Impeller Screw	29.74	35.74
15	C1-271PZ	Diffuser	CALL	CALL
16	U43-21SS	#8 Ext Tooth Washer (Qty. 5)	2.65	3.18
17	U30-922SS	Diffuser Screw	CALL	CALL

Item	Part No.	Description	US List	Can. List
18	U9-374Z	Diffuser O-Ring	8.37	10.06
18	357098Z	Diffuser O-Ring (Blue Coating)	8.89	10.68
19	C19-37AZ	V-Clamp	CALL	CALL
20	WC36-22Z	Clamp, Knob	CALL	CALL
21	35505-1440Z	Trap O-Ring, 6.90 O.D. 6.35 I.D.	CALL	CALL
22	C8-58PZ	Trap Basket	21.27	25.56
23	U78-920PZ	Drain Plug (Qty. 2)	CALL	CALL
24	U9-359Z	Drain Plug O-Ring (Qty. 2)	CALL	CALL
25	U11-200PSZ	Union Collar (Qty. 2)	16.77	20.15
26	U11-196PSZ	2" Slip Adapter (Qty. 2)	13.86	16.65
27	U9-362Z	O-Ring #2-231 (Qty. 2)	CALL	CALL
28	U30-918SS	Base Screw, 5/16-14 x 1 in. Lg. Hi-Lo Hex (Qty2)	7.61	9.14
29	C35-11	Motor Pad	4.96	5.96
30	C4-78P	Motor Base	70.03	84.15
31	U9-228AZ	Seal Plate O-Ring (Round)	15.08	18.12
31	357099Z	Seal Plate O-Ring (Square)	15.82	19.01

NOT SHOWN

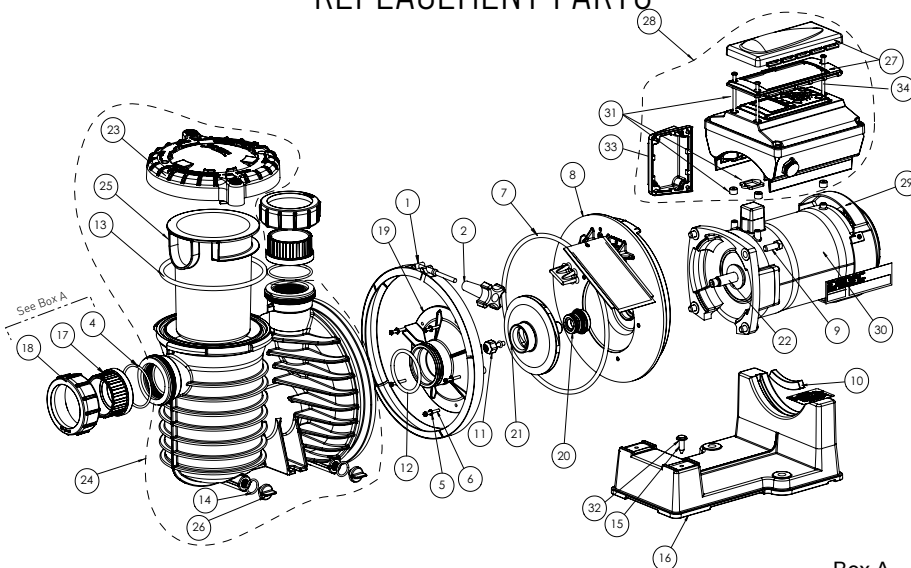
350122Z	50 Ft. Communication Cable	CALL	CALL
354045	Power End - IntelliPro 2 VST and VS	3690.48	4434.48
352501	Motor Fan Kit	268.24	322.32
356196	Max-E-Pro / IntelliPro Quick Kit (contains 31, 12, 18, 21, 24(x2))	46.44	55.80

CALIFORNIA PROPOSITION 65 WARNING

⚠ **WARNING:** Cancer and Reproductive Harm.
 ⚠ **AVERTISSEMENT:** Peut Causer le Cancer et des Dommages au Système Reproducteur.
 ⚠ **ADVERTENCIA:** Cáncer y Daño Reproductivo.
www.p65warnings.ca.gov

INTELLIPRO® VARIABLE SPEED PUMP-BEFORE 2019

REPLACEMENT PARTS



CALIFORNIA PROPOSITION 65 WARNING

⚠ **WARNING:** Cancer and Reproductive Harm.
 ⚠ **AVERTISSEMENT:** Peut Causer le Cancer et des Dommages au Système Reproducteur.
 ⚠ **ADVERTENCIA:** Cáncer y Daño Reproductivo.
www.p65warnings.ca.gov

Box A

For quick disconnect pipe connections, purchase separately:

PKG 188Z 2 in. Slip 1/2 Union Kit or
 Pkg. 189 2 in. NPT 1/2 Union Kit.

Includes 2 each:
 U11-200P Union Collar
 U9-362Z O-Ring
 U11-196P 2 in. Slip adapter or U11-199P 2 in. NPT adapter.

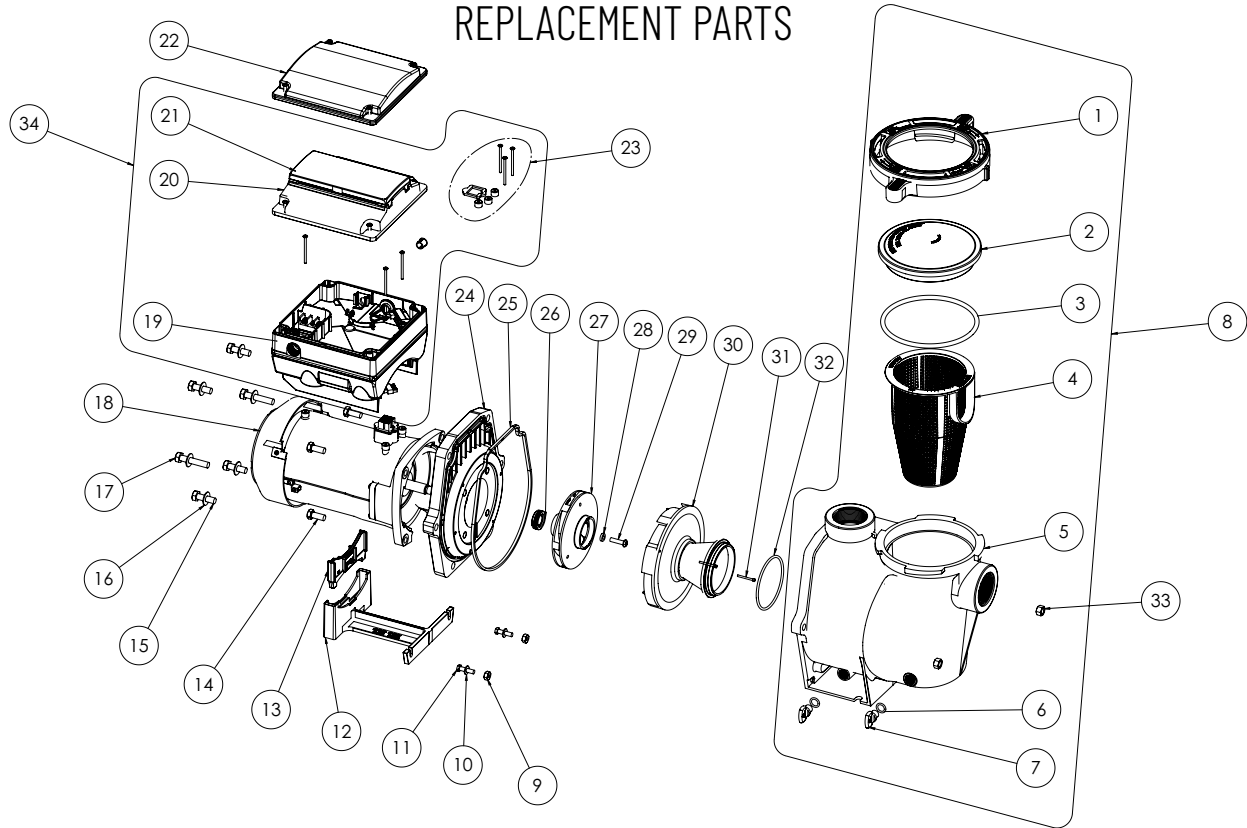
Item	Part No.	Description	US List	Can. List
INTELLIPRO VARIABLE SPEED PUMP				
1	C19-37AZ	V-Clamp	CALL	CALL
2	WC36-22Z	Clamp, Knob	CALL	CALL
3	350122Z	Cable 50ft 2 COND, IntelliFlo to IntelliTouch (Not Shown).	CALL	CALL
4	U9- 362	Orng #2- 231 buna N 70 DU	CALL	CALL
5	U43- 21SS	#8 Ext Tooth Wshr, 5 req.	CALL	CALL
6	U30- 922SS	Mach SCR HX HD 8- 32, 5 req.	CALL	CALL
7	U9-228AZ	Seal Plate O-Ring, (Round) 1 req.	15.08	18.12
7	357099Z	Seal Plate O-Ring, (Square) 1 req.	15.82	19.01
8	C103- 194P	Sealplate.	CALL	CALL
9	U30- 74SS	3/8-16 x 1 in. HX HD SS	CALL	CALL
10	C35- 11	Motor Pad	CALL	CALL
11	37337- 6080	Impeller Screw	CALL	CALL
12	U9-374Z	Diffuser O-Ring	8.37	10.06
12	357098Z	Diffuser O-Ring (Blue Coating)	8.89	10.68
13	35505-1440Z	O-Ring 6.90 O. D 6.35 I. D	CALL	CALL
14	U9- 359	ORNG #2 - 112 N674- 70 Drain Plug	CALL	CALL
15	U30-918SS	SCR 5/16-14 x 1 in. LG HI-LO Hex	7.61	9.14
16	C4-78P	Base	70.03	84.15
17	U11-196PSZ	Adaptor Union 2 in. Slip	13.86	16.65
18	U11-200PSZ	Collar Union 2 in.	16.77	20.15
19	C1-271PZ	Diffuser	CALL	CALL
20	17351-0101S ³	Shaft Seal, EPDM black	CALL	CALL
21	C105-238PLA	Imp. Assy. 3 Phase	129.33	155.40
22	17351-0009	Slinger. Pump Shaft 1/16 in.	2.91	3.50

Item	Part No.	Description	US List	Can. List
23	17307-0111S	Trap Cover Assy. (Contains: Trap Cover, Trap Ring and Cover O- Ring)	108.40	130.25
24	17307-0110S	Tank Body Assy. Max- E- Pro Pump SVC 18 (Trap Body, Basket, Drain Plugs and Trap Cover Assy.)	479.32	575.95
25	C8-58PZ	Trap Basket	21.27	25.56
26	U78-920PZ	Drain Plug	CALL	CALL
27	350701	Cover Control Assy. Kit, Black (Contains: Cover Assy., Hardware/ Gasket Kit, Inst.1)	334.66	402.13
27	401100	Cover Control Assy. Kit, Black (Contains: Cover Assy., 3 Screws, and 3 Spacer Caps) 2	334.66	402.13
28	353252	IntelliPro Variable Speed Drive Kit - Includes Drive and Control Cover Assy., Lid, Hardware/Gasket Kit	CALL	CALL
29	352501	Fan Motor Kit (Contains: Fan Shroud, Fan, Hardware)	268.24	322.32
30	357294S	Motor VFD 3.2KW PMSW, Black	CALL	CALL
31	350612	Hardware/Gasket Kit (Contains: 3 Screws, 3 Spacer Caps, and Drive Gasket)	167.05	200.73
32	U43-41SSZ	Washer 5/16 in.	3.93	4.72
33	353310	Field Wiring Compartment Kit w/ gasket	148.36	178.27
34	350107	Screw 10-24 x 3-1/4 in PH MS 18-8 SS (qty 3)	6.47	7.77
NOT SHOWN				
	070209	Power end IntelliPro Variable Speed (Contains items 5, 6, 7, 8, 11, 19, 20, 28 & 30)	CALL	CALL
	356196	Max-E-Pro/IntelliPro Quick Kit (contains 20,7, 21, 12, 13, 14(x2))	46.44	55.80

¹ Used on pumps manufactured before 7/3/13
² Used on pumps manufactured 7/3/13 and after
³ Used on pumps manufactured 7/15/14 to present

INTELLIPRO® VS+SVRS PUMP - AFTER JUNE 2016

REPLACEMENT PARTS



Item	Part No.	Description	US List	Can. List
INTELLIPRO VS+SVRS PUMP				
1	357150	Clamp, Cam and Ramp	73.69	88.55
2	357151Z	See-through Lid	45.21	54.32
3	350013Z	Lid O-Ring	5.83	7.01
4	070387Z	Strainer Basket	25.85	31.06
5	357157	Volute WF	352.73	423.84
6	192115Z	O-Ring 112 for Drain Plug (Qty 2)	3.90	4.69
7	357161Z	Drain Plug WF (Qty 2)	7.80	9.37
8	357244	Volute Kit (Contains items #1-7)	738.09	886.89
9	071406Z	Nut 1/4-20 Hex SS (Qty 2)	12.37	14.86
10	072183	Washer, Flat 1/4" ID x 5/8" OD (Qty 2)	2.38	2.86
11	071657Z	Screw 1/4-20 x 1" Hex Cap SS, 2 req.	4.86	5.84
12	357159	Foot WF	59.26	71.21
13	357160	Foot Insert WFE Pump Motor Support	29.73	35.72
14	070429Z	Bolt, 3/8-16 X 7/8 SS Hex Head 18-8, 4 req.	4.86	5.84
15	072184	Washer, Flat 3/8" ID x 7/8 OD (Qty 6)	2.38	2.86
16	070430Z	Bolt, Hex Head 3/8-16 x 1.25" (Qty 4)	CALL	CALL
17	070431	Bolt, Hex Head 3/8-16 x 2" (Qty 2)	4.25	5.11
18	350306S	Motor, 3.2 kW 10 Pole	CALL	CALL
19	356912Z	Drive, Variable Speed	CALL	CALL
20	358527Z	Keypad Assembly Kit (Contains item #21)	527.74	634.13
21	401100	Keypad Cover	334.66	402.13
22	356905Z	Keypad Relocation Kit (Contains Keypad Relocation cable and Blank Drive Cover)	114.71	137.84
23	355685	Drive Hardware Kit (Contains Drive Screws, Drive Gasket and Screw Caps)	167.05	200.73

Item	Part No.	Description	US List	Can. List
24	357158	Seal Plate	144.64	173.80
25	357100Z	Seal Plate Gasket	9.97	11.98
26	071734S	Mechanical Seal	46.83	56.27
26	071732S	Mechanical Seal (ozone/salt resistant)	39.23	47.14
27	073131Z	Impeller (pumps mfg. before 10/2020)	CALL	CALL
27	356237	Impeller (pumps mfg. after 10/2020)	CALL	CALL
28	075713Z	Rubber Washer, Impeller Set Screw	CALL	CALL
29	071652Z	Impeller Set Screw 1/4-20 LH Thread	4.86	5.84
30	072928Z	Diffuser (pumps mfg. before 10/2020)	58.37	70.14
30	356238	Diffuser (pumps mfg. after 10/2020)	CALL	CALL
31	071660Z	Diffuser Set Screw 4-40 x 1-1/8, 2 req.	5.04	6.06
32	355227Z	Diffuser O-Ring	5.04	6.06
33	071403	Nut 3/8" Brass, Nickel Plated (Qty 2)	CALL	CALL
34	356913Z	Drive Kit (Incl. Items #19-23)	CALL	CALL

NOT SHOWN

350122Z	50 Ft. Communication Cable	CALL	CALL
350203	Seal Plate Kit w/Mechanical Seal (Incl. Items #24, 25 and 26)	311.21	373.95
357603	Union Kit (Incl. 2 complete unions for 1 pump - Not included with pump)	172.60	207.40
356196	Max-E-Pro / IntelliPro Quick Kit (contains 25, 28, 32, 3, 26, 6(x2))	46.44	55.80
350198	Seal Plate Kit (Ozone/Salt resistant)	303.94	365.21
352501	Motor Fan Kit	268.24	322.32
356198	WhisperFlo/IntelliFlo Quick Kit (includes 26, 32, 25, 6(x2), 3 and 28)	51.68	62.10

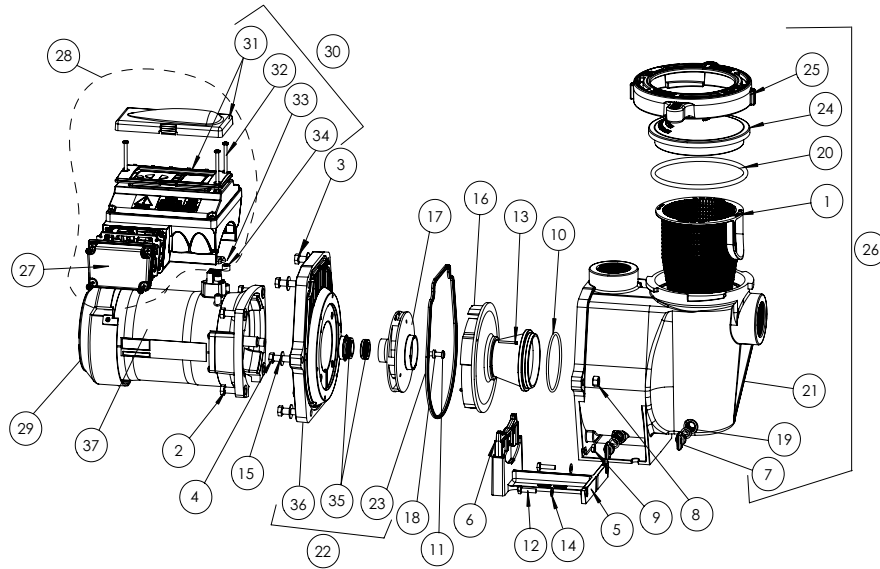
CALIFORNIA PROPOSITION 65 WARNING

⚠ WARNING: Cancer and Reproductive Harm.
⚠ AVERTISSEMENT: Peut Causer le Cancer et des Dommages au Système Reproducteur.
⚠ ADVERTENCIA: Cáncer y Daño Reproductivo.
www.p65warnings.ca.gov

Product on pages 236–237.

INTELLIPRO® VS+SVRS PUMP - BEFORE JUNE 2016

REPLACEMENT PARTS



Item	Part No.	Description	US List	Can. List
INTELLIPRO VS+SVRS PUMP				
1	070387Z	Basket WF	25.85	31.06
2	070429Z	Bolt, 3/8-16 X 7/8 SS Hex Head 18-8, 4 req.	4.86	5.84
3	070430Z	Bolt, 3/8-16 x 1-1/4 hex cap 18-8 S/S, 4 req.	CALL	CALL
4	070431	Bolt, 3/8-16 x 2 hex cap 18-8 S/S, 2 req.	4.25	5.11
5	357159	Foot WF, pump motor support, black	59.26	71.21
6	357160	Foot insert WF pump, black	29.73	35.72
7	357161Z	Plug drain WFE, black, 2 req.	7.80	9.37
8	071403	Nut, 3/8-16 brass nickel plated, 2 req.	CALL	CALL
9	071406Z	Nut, 1/4-20 hex S/S, 2 req.	12.37	14.86
10	355227Z	O-ring #238, 3.484 x .139, buna N 70	5.04	6.06
11	071652Z	Screw, 1/4, 20 x 1 LH phillips pan MS 18-8 S/S, 1 req.	4.86	5.84
12	071657Z	Screw, 1/4-20 x 1 in. hex cap 18-8 S/S, 2 req.	4.86	5.84
13	071660Z	Screw set, 4-40 x 5/8 WFE sckt cap 18-8 S/S, 2 req.	5.04	6.06
14	072183	Washer, flat 1/4 x 5/8 20GA thick 18-8 S/S, 2 req.	2.38	2.86
15	072184	Washer, 3/8 ID x 7/8 OD .05 thick 18-8 S/S, 6 req.	2.38	2.86
16	072928Z	Diffuser assembly, black	58.37	70.14
17	073131Z	Impeller, IntelliPro VS+SVRS	CALL	CALL
18	075713Z	Rubber washer, WFE pump, 1 req.	CALL	CALL
19	192115Z	O-ring 112, .487 x .103 buna -N 70, 2 req.	3.90	4.69
20	350013Z	O-ring lid CH/WF 2-436, 1 req.	5.83	7.01
21	357157	Housing WFE, black	352.73	423.84
22	350203	Seal plate kit, black w/ gasket (Items 23, 35, 36)	311.21	373.95
23	357100Z	Black Gasket for Seal plate	9.97	11.98
24	357151Z	Lid, see thru WF.	45.21	54.32
24	357156	Lid, Chemical Resistant	104.66	125.76
25	357150	Clamp cam & ramp WF, black	73.69	88.55

Item	Part No.	Description	US List	Can. List
26	357244	Pot WF assy., black (contains 1, 7 (qty. 2), 19 (qty. 2), 20, 21, 24, 25)	738.09	886.89
27	350310	Junction Box Cover - Black	31.36	37.68
28	353250	IntelliPro VS+SVRS Drive Kit - Contains Drive and Control Cover Assy.	CALL	CALL
29	352501	Motor fan kit, black (contains fan, shroud, hardware).	268.24	322.32
30	350701	Drive Control Cover assembly kit, black (contains drive lid, screws, spacer caps, items 31, 32 (qty. 3), 33, 34 (qty. 3) 1	334.66	402.13
30	401100	Drive Control Cover assembly kit, black (contains drive lid, screws, spacer caps, items 31, 32 (qty. 3), 33, 34 (qty. 3) 2	334.66	402.13
31	401101	Control cover assembly (not sold individually - order assy kit item 30)	CALL	CALL
32	350107	Screw 10-24 x 3/4 in. PH MS 18-8 s/s (qty. 3)	6.47	7.77
33	350108	IntelliPro drive gasket	13.44	16.15
34	350142	Spacer cap (qty. 3)	46.98	56.45
35	071734S	Seal Kit	46.83	56.27
36	357158	Seal Plate - black	144.64	173.80
37	357294S	Motor VFD 3.2KW PMSM replacement, black	CALL	CALL
NOT SHOWN				
	350122Z	50 ft. Communication Cable	CALL	CALL
	347910	Black Volute/Seal plate Replacement Kit (Items 1, 7 (qty. 2), 19 (Qty 2), 20, 21, 22, 23, 24, 25)	CALL	CALL
	350612	Hardware/gasket assy. kit (contains 3 screws, 3 spacer caps and drive gasket)	167.05	200.73
	357603	Union Kit (contains 2 complete unions for one pump, not included with pump).	172.60	207.40
	350101	Seal plate kit without gasket (Items 35 and 36)	CALL	CALL
	350198	Seal Plate Kit (ozone/salt resistant)	303.94	365.21

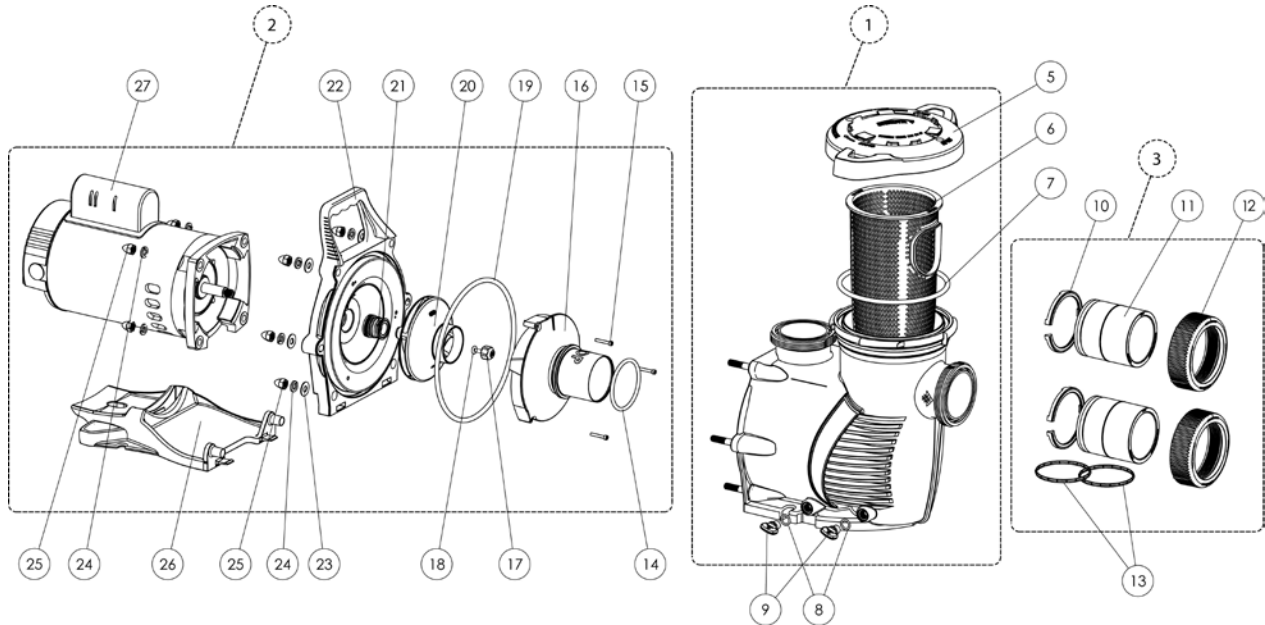
¹ Used on pumps manufactured before 3/20/2013

² Used on pumps manufactured after 3/20/2013

³ Contact factory for IntelliPro VS+SVRS

MAX-E-PROXF® SERIES PUMP

REPLACEMENT PARTS



Item	Part No.	Description	US List	Can. List
MAX-E-PRO XF PUMP				
1	401000	Wet End Assembly	485.54	583.42
2	See chart on next page	Power End Assembly		
3	410020	Union Kit Without Tap	221.19	265.78
5	401006	Lid/Locking Ring Assembly	85.44	102.66
6	400007Z	XF Series Replacement Basket	53.43	64.20
7	35505-1440Z	Lid/Locking Ring O-Ring	CALL	CALL
8	192115Z	Drain Plug O-Ring	3.90	4.69
9	357161Z	Drain Plug	7.80	9.37
10	410001	2.5 in. C-Clip Locking Ring	10.83	13.01
11	410002	2.5 in. Union Adapter without Tap	51.26	61.59
12	411000	2.5 in. Union Nut	29.72	35.71
13	410016Z	2.5 in. Seal Kit - (Includes two)	18.28	21.97
14	350336Z	Diffuser O-Ring	CALL	CALL
15	353323	Diffuser Screw	5.06	6.08
16	See chart on next page	Diffuser		
17	37337-6080	Impeller Screw, Plastic-Head (pumps mfg. before 10/7/2019)	29.74	35.74
17	356073	Impeller Screw, Metal-Head (pumps mfg. after 10/7/2019)	11.64	13.99
18	33455-1047	Impeller Reverse Screw O-Ring	CALL	CALL

Item	Part No.	Description	US List	Can. List
19	351446Z	Seal Plate O-Ring	CALL	CALL
20	See chart on next page	Impeller Assembly		
21	17351-0101S	Mechanical Seal Assembly	40.29	48.41
22	401002	Seal Plate	320.90	385.59
23	072184	Flat Washer	2.38	2.86
24	U43-12SS	Split Lock Washer	4.14	4.97
25	071413	Acorn Nut	1.87	2.25
26	401004Z	Motor Base	59.26	71.21
27	See chart on next page	Motor		
NOT SHOWN				
	400030Z	Hardware and O-Rings Kit	97.10	116.68
	400032Z	Seal Plate Kit w/ Mechanical Seal	310.77	373.42
	400012	Riser Plate XF to Challenger	102.52	123.19
	401014Z	Motor End Cap and Screw	40.15	48.24
	357924Z	Fan Guard Kit TEFC/Super-Duty	CALL	CALL

CALIFORNIA PROPOSITION 65 WARNING

⚠️ **WARNING:** Cancer and Reproductive Harm.
 ⚠️ **AVERTISSEMENT:** Peut Causer le Cancer et des Dommages au Système Reproducteur.
 ⚠️ **ADVERTENCIA:** Cáncer y Daño Reproductivo.
www.p65warnings.ca.gov

MAX-E-PROXF[®] SERIES PUMP (CONT'D)

REPLACEMENT PARTS



Item	Part No.	Description	US List	Can. List
IMPELLERS				
20	400020Z	XFET-8	180.49	216.88
20	400015Z	XFET-12	195.58	235.01
20	400023Z	XFET-20	210.59	253.04
20	400020Z	XF-8	180.49	216.88
20	400015Z	XF-12	CALL	CALL
20	400020Z	XFE-8	180.49	216.88
20	400015Z	XFE-12	CALL	CALL
20	400023Z	XFE-20	210.59	253.04
20	400020Z	XFDS-8	180.49	216.88
20	400015Z	XFDS-12	195.58	235.01
20	400020Z	XFDS-30	180.49	216.88
20	400020Z	XF-30	180.49	216.88
20	400020Z	XFE-30	180.49	216.88
20	400020Z	XFJ-8	180.49	216.88
20	400015Z	XFJ-12	195.58	235.01
20	400023Z	XFJ-20	210.59	253.04
20	400020Z	XFK-8	180.49	216.88
20	400015Z	XFK-12	195.58	235.01
20	400023Z	XFK-20	210.59	253.04

MOTORS				
27	354816S	2hp 1-Phase TEFC 208-230V	873.51	1049.61
27	354818S	3hp 1-Phase TEFC 208-230V	1141.45	1371.57
27	354820S	5hp 1-Phase TEFC 208-230V	1424.58	1711.78
27	355027S	2hp Standard E 230V	CALL	CALL
27	355034S	3hp Standard E 230V	CALL	CALL
27	355015S	2hp High Eff 208-230V	CALL	CALL
27	355017S	3hp High Eff 208-230V	CALL	CALL
27	353319S	5hp High Eff 208-230V	CALL	CALL
27	359527S	2hp 2 Speed 230V	CALL	CALL
27	353318S	3hp 2 Speed 230V	CALL	CALL
27	359527S	2.5hp Uprated 2 Speed 230V	CALL	CALL
27	355027S	2.5hp Uprated Standard E 230V	CALL	CALL
27	355015S	2.5hp Uprated High E 208-230V	CALL	CALL
27	354810S	2hp 3 Phase 208-230-460V	921.65	1107.45
27	354812S	3hp 3 Phase 208-230-460V	1115.65	1340.57
27	354814S	5hp 3 Phase 208-230-460V	1356.15	1629.55

Item	Part No.	Description	US List	Can. List
DIFFUSERS				
16	400010	XFET-8	140.43	168.74
16	400010	XFET-12	140.43	168.74
16	400011Z	XFET-20	151.57	182.13
16	400010	XF-8	140.43	168.74
16	400010	XF-12	140.43	168.74
16	400010	XFE-8	140.43	168.74
16	400010	XFE-12	140.43	168.74
16	400011Z	XFE-20	151.57	182.13
16	400010	XFDS-8	140.43	168.74
16	400010	XFDS-12	140.43	168.74
16	400010	XFDS-30	140.43	168.74
16	400010	XF-30	140.43	168.74
16	400010	XFE-30	140.43	168.74
16	400010	XFJ-8	140.43	168.74
16	400010	XFJ-12	140.43	168.74
16	400011Z	XFJ-20	151.57	182.13
16	400010	XFK-8	140.43	168.74
16	400010	XFK-12	140.43	168.74
16	400011Z	XFK-20	151.57	182.13

POWER ENDS				
2	401632Z	2hp 1-Phase TEFC 208-230V	1928.01	2316.70
2	401633Z	3hp 1-Phase TEFC 208-230V	2314.06	2780.57
2	401634Z	5hp 1-Phase TEFC 208-230V	2498.40	3002.08
2	401612Z	2hp Standard E 230V	1773.67	2131.24
2	401613Z	3hp Standard E 230V	1897.45	2279.98
2	401609Z	2hp High Eff 208-230V	1801.88	2165.14
2	401611Z	5hp High Eff 208-230V	2304.02	2768.51
2	401607Z	2hp 2 Speed 230V	1988.86	2389.81
2	401607Z	2.5hp Uprated 2 Speed 230V	1988.86	2389.81
2	401612Z	2.5hp Uprated Standard E 230V	1773.67	2131.24
2	401609Z	2.5hp Uprated High E 208-230V	1801.88	2165.14
2	401617Z	2hp 3 Phase 208-230-460V	CALL	CALL
2	401618Z	3hp 3 Phase 208-230-460V	CALL	CALL
2	401619Z	5hp 3 Phase 208-230-460V	CALL	CALL

Note: Pumps and replacement motors that are single speed and one (1) Total HP or greater cannot be sold, offered for sale, or installed in a residential pool for filtration use in California, Title 20 CCR sections 1601-1609.

CALIFORNIA PROPOSITION 65 WARNING

▲ **WARNING:** Cancer and Reproductive Harm.
▲ **AVERTISSEMENT:** Peut Causer le Cancer et des Dommages au Système Reproducteur.
▲ **ADVERTENCIA:** Cáncer y Daño Reproductivo.

www.p65warnings.ca.gov
P/N 201714

MAX-E-PRO® SERIES PUMP REPLACEMENT PARTS

Box A

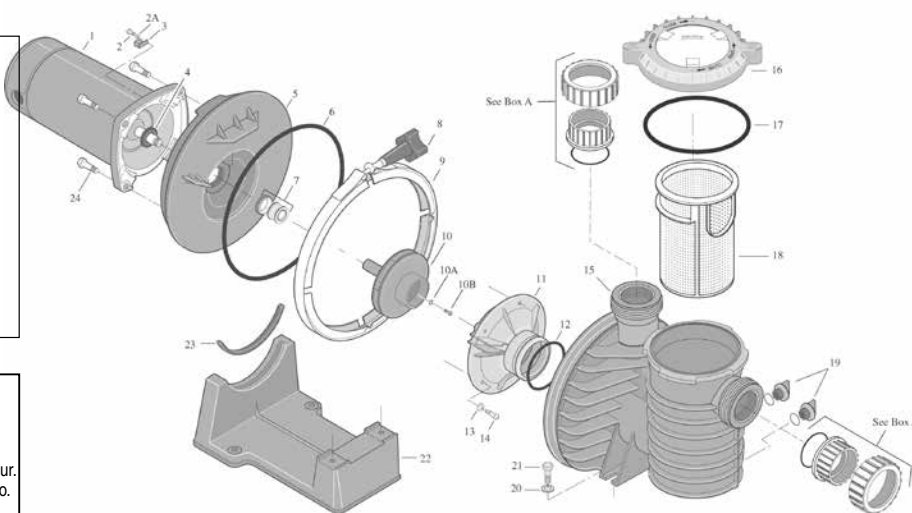
For quick disconnect pipe connections, purchase separately:
PKG 188Z 2 in. Slip 1/2 Union Kit or
Pkg. 189 2 in. NPT 1/2 Union Kit.

Includes 2 each:
U11-200P Union Collar
U9-362Z O-Ring

U11-196P 2 in. Slip adapter or
U11-199P 2 in. NPT adapter.

CALIFORNIA PROPOSITION 65 WARNING

⚠ **WARNING:** Cancer and Reproductive Harm.
⚠ **AVERTISSEMENT:** Peut Causer le Cancer
et des Dommages au Système Reproducteur.
⚠ **ADVERTENCIA:** Cáncer y Daño Reproductivo.
www.p65warnings.ca.gov



Model No.	HP	Motor No. (Item No. 1)	Impeller (Item No. 10)	Diffuser (Item No. 11)	Motor Base/Pad
1 PHASE 60 HZ PUMPS - TEFC 1-Speed					
348150	1	354822S	C105-238PBZ	C1-271P1Z	Note 6
348151	1-1/2	354824S	C105-238PDBAZ	C1-271PZ	Note 6
348152	2	354816S	C105-238PEBA	C1-271PZ	Note 6
348153	3	354818S	C105-238PLA	C1-271PZ	Note 6
1 PHASE 60 HZ PUMPS - 115/230 V 1-Speed					
P6E6C-204L	1/2	AE100CHL	C105-238PX	C1-271P1Z	Note 5
P6E6D-205L	3/4	AE100DHL	C105-238P	C1-271P1Z	Note 5
P6R6D-205L	3/4	355021S	C105-238P	C1-271P1Z	Note 6
P6E6E-206L	1	AE100EHL	C105-238PBZ	C1-271P1Z	Note 5
P6EA6E-205L	1	AE100ELL	C105-238P	C1-271P1Z	Note 5
P6RA6E-205L	1	355021S	C105-238P	C1-271P1Z	Note 6
P6R6E-206L	1	355023S	C105-238PBZ	C1-271P1Z	Note 6
P6EA6F-206L	1-1/2	AE100FLL	C105-238PBZ	C1-271P1Z	Note 5
P6RA6F-206L	1-1/2	355023S	C105-238PBZ	C1-271P1Z	Note 6
P6R6F-207L	1-1/2	355025S	C105-238PDBAZ	C1-271PZ	Note 6
1 PHASE 60 HZ PUMPS - 230V 1-Speed					
P6E6F-207L	1-1/2	AE100FHL	C105-238PDBAZ	C1-271PZ	Note 5
P6EAA6F-216L	1-3/4	AE100F5LL	C105238PDCA	C1-271PZ	Note 5
P6RAA6F-216L	1-3/4	A100F5LL	C105-238PDCA	C1-271PZ	Note 5
P6E6G-208L	2	AE100GHL	C105-238PEBA	C1-271PZ	Note 5
P6EA6G-207L	2	355025S	C105-238PDBAZ	C1-271PZ	Note 5
P6RA6G-207L	2	AE100GHL	C105-238PDBAZ	C1-271PZ	Note 6
P6R6G-208L	2	355027S	C105-238PEBA	C1-271PZ	Note 6
P6EAA6G-208L	2-1/2	AE100G5LL	C105-238PEBA	C1-271PZ	Note 5
P6E6H-209L	3	AE100HLL	C105-238PLA	C1-271PZ	Note 6
P6R6H-209L	3	355034S	C105-238PLA	C1-271PZ	Note 6

Note: Pumps and replacement motors that are single speed and one (1) Total HP or greater cannot be sold, offered for sale, or installed in a residential pool for filtration use in California, Title 20 CCR sections 1601-1609.

MAX-E-PRO® SERIES PUMP (CONT'D)

REPLACEMENT PARTS



Model No.	HP	Motor No. (Item No. 1)	Impeller (Item No. 10)	Diffuser (Item No. 11)	Motor Base/Pad
1 PHASE 60 HZ PUMPS - 2-Speed					
P6RA6YF-206L	1-1/2 (Hi Speed), 1/4 (Low Speed)	A100FLL-Y	C105-238PBA ³	C1-271P1Z	Note 5
P6RA6YG-207L	2 (Hi Speed), 1/3 (Low Speed)	AE100GLL-Y	17307-0116 ⁵ , C105-238PDBAZ	C1-271PZ	Note 5
3 PHASE 60 HZ PUMPS - 208-230/460 - TEFC					
345076	1	354806S	C105-238PBA ⁴	C1-271P1Z	Note 6
345077	1-1/2	354808S	C105-238PDBAZ ⁴	C1-271PZ	Note 6
345078	2	354810S	C105-238PEBA ⁴	C1-271PZ	Note 6
345079	3	354812S	C105-238PLA ⁴	C1-271PZ	Note 6
3 PHASE 60 HZ PUMPS - 200/400v 1 Speed					
P6R62D3-186	3/4	AP100DH2	C105-238A ⁴	C1-271P1Z	Note 5
P6R62E3-187	1	AP100EH2	C105-238PBA ³	C1-271P1Z	Note 5
P6R62F3-188	1-1/2	AP100FH2	C105-238PDBAZ ⁴	C1-271PZ	Note 5
P6R62G3-189	2	AP100GH2	C105-238PEBA ⁴	C1-271PZ	Note 5
3-Phase Models: - 575 Volts					
P6EA6D36-204	3/4	16502-0024S	C105-238PX ⁴ A	C1-271P1Z	Note 6
P6EA6E36-205	1	16503-0024S	C105-238P ⁴ A	C1-271P1Z	Note 6
P6EA6F36-206	1-1/2	62001-1019S	C105-238PBA ⁴	C1-271P1Z	Note 5
P6EA6G36-207	2	62003-2087	C105-238PDBAZ ⁴	C1-271PZ	Note 5

Item	Part No.	Description	US List	Can. List
MAX-E-PRO SERIES REPLACEMENT PARTS				
1	Chart	Motor		
2	U30-692SS	#10-32 x 1/2 in. Screw	3.14	3.77
2A	U43-22SS	Lock Washer	2.85	3.42
3	U17-568	Bonding Lug	CALL	CALL
4	17351-0009	Water Slinger	2.91	3.50
5	C203-194P	Seal Plate Kit (Incl. Part Nos. 6, 7)	258.28	310.35
6	U9-228AZ	O-Ring (Round)	15.08	18.12
6	357099Z	O-Ring (Square)	15.82	19.01
7	17351-0101S	Shaft Seal, EDPM black	40.29	48.41
8	WC36-22Z	Clamp Knob	CALL	CALL
9	C19-37AZ	Clamp	CALL	CALL
10	Chart	Impeller		
10A	35505-1426	Impeller Screw O-Ring	1.62	1.95
10B	Chart	Impeller Screw		
11	Chart	Diffuser		
12	U9-374Z	Diffuser O-Ring	8.37	10.06
12	357098Z	Diffuser O-Ring (Blue Coating)	8.89	10.68
13	U43-21SS	#8 Lock Washer	2.65	3.18
14	U30-542SSZ	Screw (w/ C1-271P1Z Diffuser)	CALL	CALL
15	17307-0110S	Tank Body Assembly ²	479.32	575.95
16	17307-0111S	Trap Cover Assembly ¹	108.40	130.25
17	35505-1440Z	Trap O-Ring	CALL	CALL

Item	Part No.	Description	US List	Can. List
18	C8-58PZ	Basket	21.27	25.56
19	U178-920PZ	1/4 in. NPT Drain Plug	7.80	9.37
19	U9-359Z	Drain Plug O-Ring	CALL	CALL
20	U43-41SSZ	Base Washer	3.93	4.72
21	U30-918SS	Base Screw	7.61	9.14
22	C4-78P	Base	70.03	84.15
22	C104-79P	Base w/ Motor Pad	71.67	86.12
23	C35-43	Motor Pad	8.39	10.08
23	C35-44	Motor Pad	12.39	14.89
24	U30-74SS	3/8-16 x 1 in. Hex Hd. Screw	6.76	8.12
	357924Z	Fan Guard Kit TEFC/Super-Duty	CALL	CALL
	356196	Max-E-Pro/IntelliPro Quick Kit (includes 6, 7, 10A, 12, 20(x2), 17)	46.44	55.80

- ¹ Includes Trap Cover, Trap Ring and Trap Cover O-Ring
- ² Includes Trap Body, Basket, Drain Plugs, and Trap Cover Assembly
- ³ Uses Key No. 10B Impeller Screw No. 37337-6080
- ⁴ Uses Key No. 10B Impeller Screw No. 37337-6081
- ⁵ Uses base C4-78P and motor pad C35-43
- ⁶ Uses base C104-79P and includes motor pad C35-44

Note: Pumps and replacement motors that are single speed and one (1) total HP or greater cannot be sold, offered for sale, or installed in a residential pool for filtration use in California, Title 20 CCR sections 1601-1609.

MAX-E-PRO® SERIES DOE PUMP REPLACEMENT PARTS

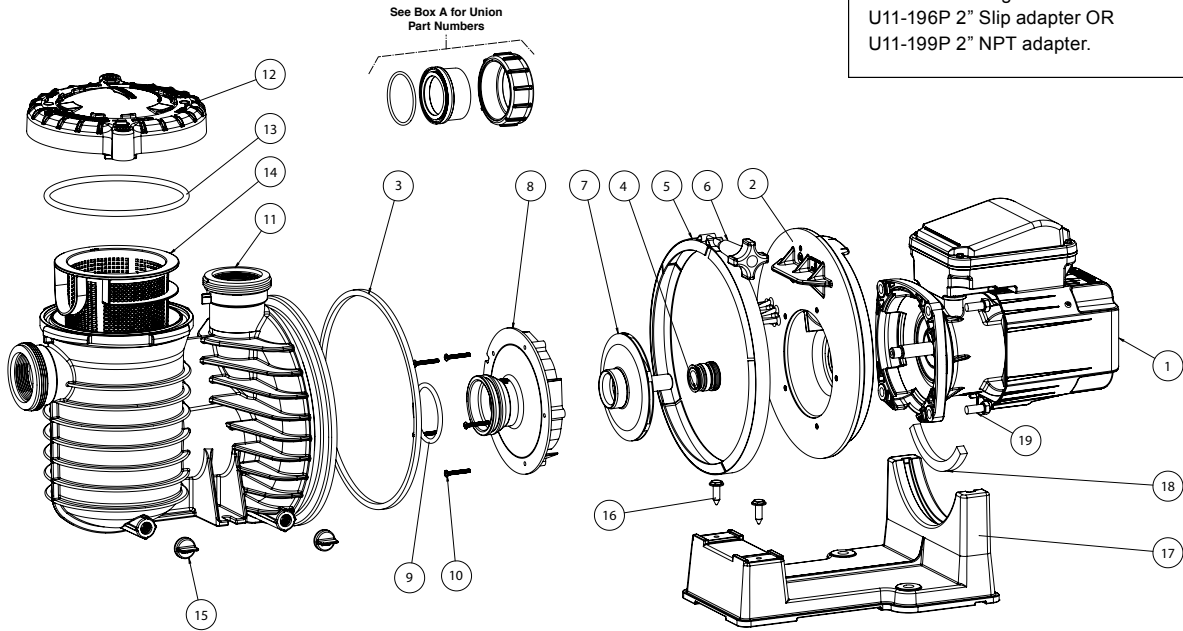


Box A

For quick disconnect pipe connections, purchase separately:
Pkg. 188 2" Slip 1/2 Union Kit or
Pkg. 189 2" NPT 1/2 Union Kit.

Kit Includes:

- U11-200P Union Collar
- U9-362Z O-Ring
- U11-196P 2" Slip adapter OR
- U11-199P 2" NPT adapter.



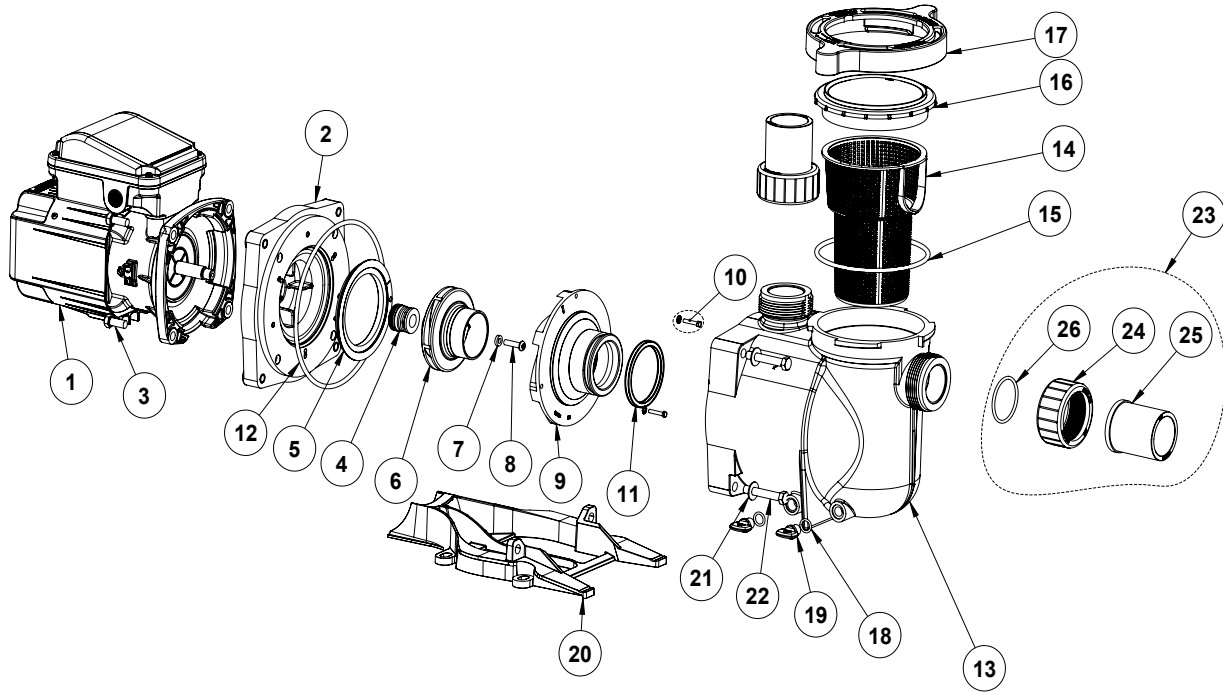
Replacement Parts for Product #348185

Item	Part No.	Description	US List	Can. List
MAX-E-PRO SERIES DOE REPLACEMENT PARTS				
1	356362S	Motor	671.26	806.59
2	C203-194P	Seal Plate Kit (Incl. Item# 3-4)	258.28	310.35
3	357099	Gasket, Seal Plate to Housing	CALL	CALL
4	17351-0101S	Shaft Seal	40.29	48.41
5	C19-37AZ	Band Clamp	CALL	CALL
6	WC36-22Z	Band Clamp Knob	CALL	CALL
7	C105-238PDOEZ	Impeller	127.00	152.60
8	356359Z	Diffuser	108.85	130.79
9	357098Z	Diffuser O-Ring (Blue Coating)	8.89	10.68
10	357841Z	Diffuser Screw Kit	10.87	13.06

Item	Part No.	Description	US List	Can. List
11	17307-0110S	Trap Body Assembly (Incl. Item# 12-15)	479.32	575.95
12	17307-0111S	Trap Cover Assembly (Incl. Item# 12-13)	108.40	130.25
13	35505-1440Z	Trap O-Ring	CALL	CALL
14	C8-58P	Basket	CALL	CALL
15	U178-920P	Drain Plug, 1/4" NPT (Qty. 2)	CALL	CALL
16	U30-918SS	Base Screw (Qty. 2)	7.61	9.14
17	C4-79P	Base	70.03	84.15
18	C35-43	Motor Pad	8.39	10.08
19	U30-74SS	Screw, 3/8-16 x 1" Hex Head (Qty. 4)	6.76	8.12
—	357810	Fan Guard Kit	CALL	CALL

SUPERMAX® DOE PUMP

REPLACEMENT PARTS



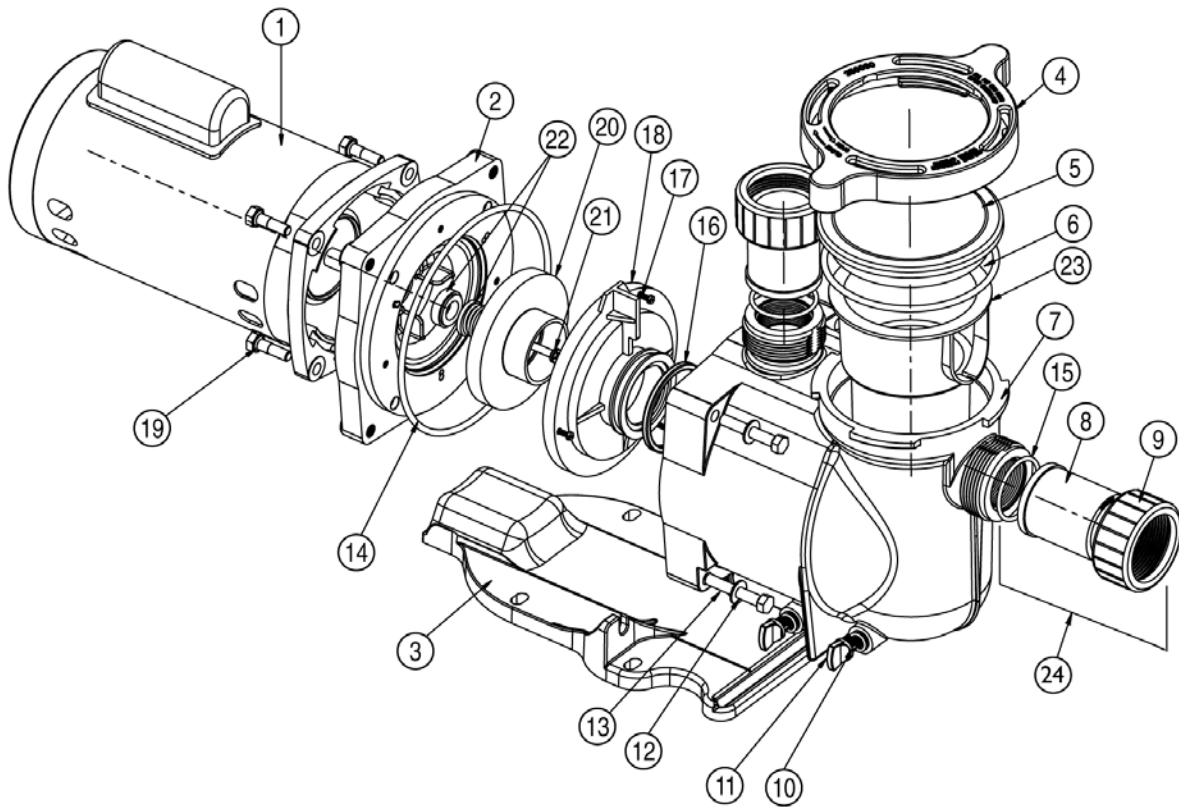
Replacement Parts for Product #348191

Item	Part No.	Description	US List	Can. List
SUPERMAX DOE PUMPS				
1	356362S	Motor	671.26	806.59
2	355612	Seal Plate	134.63	161.77
3	070249	Bolt, Motor (Qty. 4)	CALL	CALL
4	354545SS	Shaft Seal Set	CALL	CALL
5	356357Z	Hydraulic Isolator	36.29	43.61
6	356356Z	Impeller	90.70	108.99
7	075713Z	Washer, Impeller Screw	CALL	CALL
8	071652Z	Screw, Impeller	4.86	5.84
9	356358Z	Diffuser	141.50	170.03
10	356213Z	Screw, Diffuser #8-32 X 7/8" (Qty. 3)	10.87	13.06
11	355030	Diffuser Seal	CALL	CALL
12	355619	O-Ring, Seal Plate	CALL	CALL
13	351089	Strainer Pot	422.73	507.95

Item	Part No.	Description	US List	Can. List
14	355667Z	Strainer Basket	CALL	CALL
15	357255	O-Ring, Lid	CALL	CALL
16	350091Z	Lid	CALL	CALL
17	351090	Locking Ring	62.53	75.14
18	192115Z	O-Ring, Drain Plug, (Qty. 2)	3.90	4.69
19	357161Z	Drain Plug (Qty. 2)	7.80	9.37
20	351094	Base	148.72	178.70
21	072184	Washer, Strainer Pot, (Qty. 4)	2.38	2.86
22	355621	Bolt, Strainer Pot (Qty. 4)	7.71	9.26
23	351157	Union Kit (Includes Items 24-26)	130.75	157.11
24	270141Z	Union Nut (Qty. 2)	CALL	CALL
25	350093	Union Adapter (Qty. 2)	28.10	33.76
26	6020018Z	Union O-Ring (Qty. 2)	CALL	CALL
—	357810	Motor Fan Guard	CALL	CALL

SUPERMAX® PUMP

REPLACEMENT PARTS



Note: Pumps and replacement motors that are single speed and one (1) total HP or greater cannot be sold, offered for sale, or installed in a residential pool for filtration use in California, Title 20 CCR sections 1601-1609.

CALIFORNIA PROPOSITION 65 WARNING

⚠️ **WARNING:** Cancer and Reproductive Harm.
 ⚠️ **AVERTISSEMENT:** Peut Causer le Cancer et des Dommages au Système Reproducteur.
 ⚠️ **ADVERTENCIA:** Cáncer y Daño Reproductivo.

www.p65warnings.ca.gov

SUPERMAX® PUMP (CONT'D)

REPLACEMENT PARTS

Item	Part No.	Description	US List	Can. List
SINGLE SPEED SUPERMAX MOTORS				
1	354804S	3/4HP, 1SP, 1PH, TEFC, 115/208-230	CALL	CALL
1	354822S	1HP, 1SP, 1PH, TEFC, 115/208-230	622.43	747.91
1	354824S	1-1/2HP, 1SP, 1PH, TEFC, 208-230	733.14	880.94
1	354816S	2HP, 1SP, 1PH, TEFC, 208-230	873.51	1049.61
1	355019S	1/2 HP Motor, SQFL, 1 sp, 1 ph, 60 hz, 115/208-230, Black	CALL	CALL
1	355019S	3/4 HP Motor, SQFL, 1 sp, 1 ph, 60 hz, 115/208-230, Black	CALL	CALL
1	355021S	1 HP Motor, SQFL, 1 sp, 1 ph, 60 hz, 2115/208-230, Black	CALL	CALL
1	355023S	1-1/2 HP Motor, SQFL, 1 sp, 1 ph, 60 hz, 115/208-230, black	CALL	CALL
1	355025S	2 HP Motor, SQFL, 1 sp, 1 ph, 60 hz, 115/208-230, Black	CALL	CALL
1	355027S	2-1/2 HP Motor, SQFL, 1 sp, 1 ph, 60 hz, 208-230, Black	CALL	CALL
2 SPEED SUPERMAX MOTORS				
1	355232S	1 HP Motor, SQFL, 2 sp, 1 ph, 60 hz, 230V, Black	CALL	CALL
1	355376S	1-1/2 HP Motor, SQFL, 2 sp, 1 ph, 60 hz, 230V, Black	CALL	CALL
1	355377S	2 HP Motor, SQFL, 2 sp, 1 ph, 60 hz, 230V, Black	CALL	CALL
EFFICIENT SUPERMAX MOTORS				
1	355009S	1/2 HP Motor SQFL, 1 Speed, 1 phase, 60 Hz, 115/208-230, black	CALL	CALL
1	355009S	3/4 HP Motor SQFL, 1 Speed, 1 phase, 60 Hz, 115/208-230, black	CALL	CALL
1	355009S	1 HP Motor SQFL, 1 Speed, 1 phase, 60 Hz, 115/208-230, black	CALL	CALL
1	355011S	1.5 HP Motor SQFL, 1 Speed, 1 phase, 60 Hz, 115/208-230, black	CALL	CALL
1	355013S	2 HP Motor SQFL, 1 Speed, 1 phase, 60 Hz, 208-230, black	CALL	CALL
1	355015S	2.5 HP Motor SQFL, 1 Speed, 1 phase, 60 Hz, 208-230, black	CALL	CALL
SUPERMAX PUMPS				
2	355612	Seal Plate, Black	134.63	161.77
3	351094	Base, Black	148.72	178.70
4	351090	Clamp, Ramp & Cam, Black	62.53	75.14
5	350091Z	Lid	CALL	CALL
6	357255Z	O-ring, Lid #2-357	8.53	10.25
7	351089	Volute, Black	422.73	507.95

Item	Part No.	Description	US List	Can. List
8	350093	Adapter, 2 req.	28.10	33.76
9	270141Z	Nut, 2 req.	CALL	CALL
10	192115Z	O-Ring Drain Plug, 2 req.	3.90	4.69
11	357161Z	Drain Plug, 2 req.	7.80	9.37
12	355621	ScREW 3/4-16 x 2-1/4 HEX HD,4 req.	7.71	9.26
13	072184	Washer 3/8 in. S/S, 4 req.	2.38	2.86
14	355619Z	O-Ring Seal Bracket	16.72	20.09
15	6020018Z	O-Ring Adapter #2-226, 2 req.	CALL	CALL
16	355030Z	Seal Diffuser	14.49	17.41
17	355334Z	Screw #8-32 HEX Washer HD, 3 req.	4.86	5.84
22	354545S	Seal Set	44.23	53.15
	356210S	Seal, mechanical, ozone/salt resistant	49.29	59.23
23	355667Z	Basket, Large	CALL	CALL
24	351157	SuperMax Union Kit (includes 2 of Items 8, 9, & 15)	130.75	157.11
SUPERMAX DIFFUSERS				
18	355617	Diffuser, 1/2 HP	148.31	178.21
18	355617	Diffuser, 3/4 HP	148.31	178.21
18	355617	Diffuser, 1 HP	148.31	178.21
18	355618	Diffuser, 1-1/2 HP	148.31	178.21
18	355618	Diffuser, 2 HP	148.31	178.21
18	350170	Diffuser, 2-1/2 HP	146.07	175.52
19	070429Z	Bolt, 3/8-16 X 7/8 SS Hex Head 18-8, 4 req.	4.86	5.84
SUPERMAX IMPELLERS				
20	355043	Impeller 1/2 HP	84.10	101.05
20	355043	Impeller 3/4 HP	84.10	101.05
20	355067Z	Impeller 1 HP	CALL	CALL
20	355074Z	Impeller 1-1/2 HP	CALL	CALL
20	355086Z	Impeller 2 HP	CALL	CALL
20	355093	Impeller 2-1/2 HP	88.97	106.91
20	355067Z	Impeller 1 HP, 2-SPD	CALL	CALL
20	355074Z	Impeller 1-1/2 HP, 2-SPD	CALL	CALL
20	355086Z	Impeller 2 HP, 2-SPD	CALL	CALL
21	355389Z	Screw, Impeller Locking	CALL	CALL
NOT SHOWN				
	79129900	2-Speed Toggle Switch	75.42	90.62
	401014Z	Motor End Cap and Screw	40.15	48.24
	357924Z	Fan Guard Kit TEFC/Super-Duty	CALL	CALL

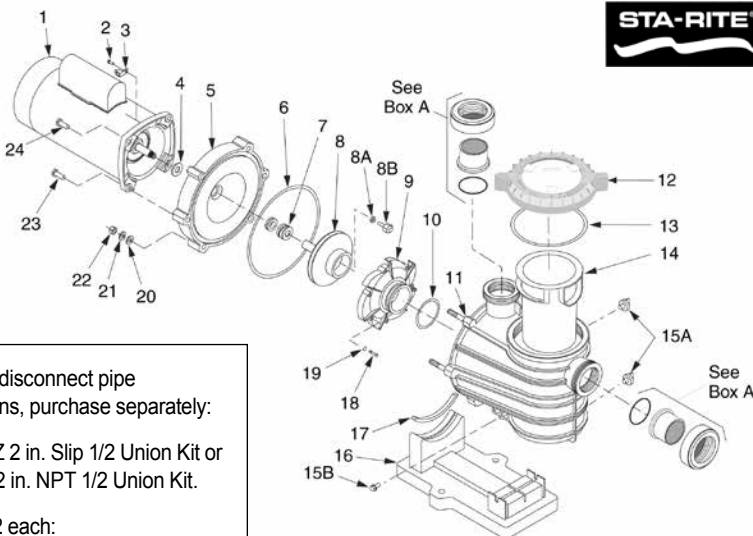
CALIFORNIA PROPOSITION 65 WARNING
 ⚠️ WARNING: Cancer and Reproductive Harm.
 ⚠️ AVERTISSEMENT: Peut Causer le Cancer et des Dommages au Système Reproducteur.
 ⚠️ ADVERTENCIA: Cáncer y Daño Reproductivo.
www.p65warnings.ca.gov

DYNA-PRO®/DYNA-PRO E PUMPS

1/2 THROUGH 2-1/2 HP MODELS, SINGLE SPEED AND TWO SPEED REPLACEMENT PARTS

Motor Chart

Model No.	HP	Motor No. (Key No. 1)
Single Speed 115/230/60/1		
MPRA6D-204L	3/4	A100DLL
MPRA6E-205L	1	A100ELL
MPRA6F-206L	1-1/2	A100FLL
MPEA6D-204L	3/4	AE100DLL
MPEA6E-205L	1	AE100ELL
MPEA6F-206L	1-1/2	AE100FLL
MPE6C-204L	1/2	AE100CHL
MPE6D-205L	3/4	AE100DHL
MPE6E-206L	1	AE100EHL
230/60/1		
MPRA6G-207L	2	A100GLL
MPEA6G-207L	2	AE100GLL
MPEAA6G-208L	2-1/2	AE100G5LL
MPE6F-207L	1-1/2	AE100FHL
MPE6G-208L	2	AE100GHL
Two Speed 230/60/1		
MPRA6YF-206L	1-1/2	A100FLL-Y
MPEA6YG-207L	2	AE100GLL-Y
MPEAA6YG-208L	2-1/2	AE100G5LL-Y
MPE6YF-207L	1-1/2	AE100GLL-Y
MPE6YG-208L	2	AE100G5LL-Y



Box A

For quick disconnect pipe connections, purchase separately:
 PKG 188Z 2 in. Slip 1/2 Union Kit or Pkg. 189 2 in. NPT 1/2 Union Kit.

Includes 2 each:
 U11-200P Union Collar
 U9-362Z O-Ring
 U11-196P 2 in. Slip adapter or U11-199P 2 in. NPT adapter.

CALIFORNIA PROPOSITION 65 WARNING
 ⚠️ **WARNING:** Cancer and Reproductive Harm.
 ⚠️ **AVERTISSEMENT:** Peut Causer le Cancer et des Dommages au Système Reproducteur.
 ⚠️ **ADVERTENCIA:** Cáncer y Daño Reproductivo.
www.p65warnings.ca.gov P8/2017A

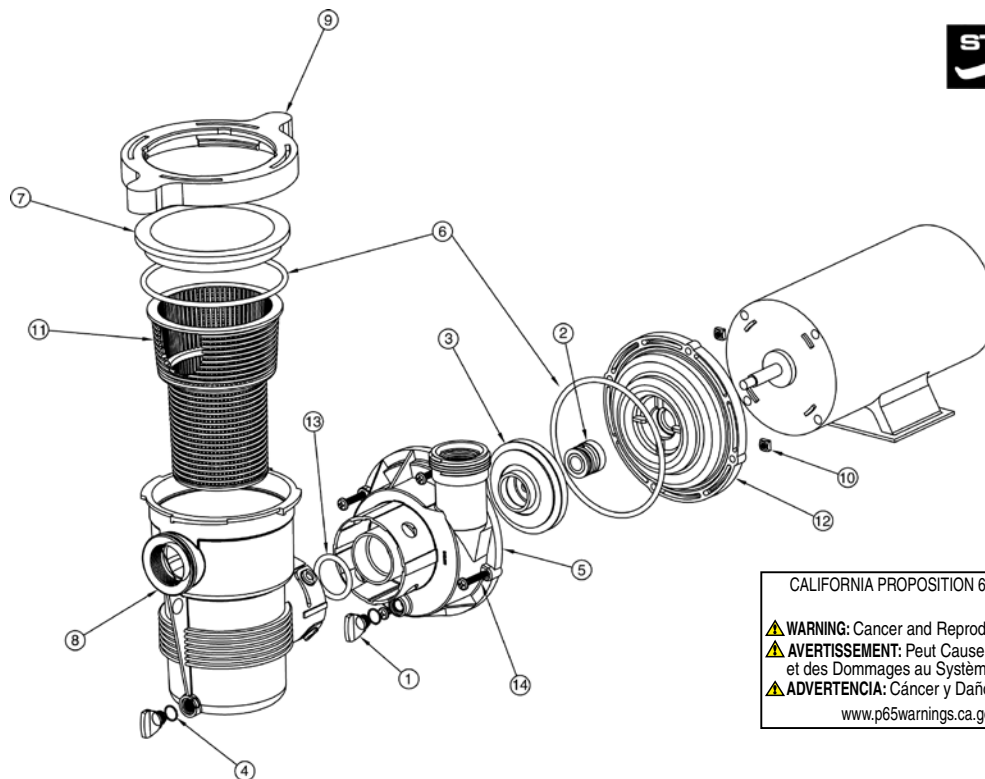
Item	Part No.	Description	US List	Can. List
DYNA-PRO REPLACEMENT PARTS				
2	U30-692SS	Screw #10-32 x 1/2 in.	3.14	3.77
3	U17-568	Bonding Lug	CALL	CALL
4	17351-0009	Slinger	2.91	3.50
5	C3-184P	Seal Plate	181.27	217.81
6	U9-373Z	Seal Plate Cord Ring	14.17	17.03
7	17351-0101S	Shaft Seal	40.29	48.41
8	C105-236P	Impeller, 1/2 HP - Models MPEA6D-204L, MPE6C-204L, MPRA6D-204L	73.18	87.93
8	C105-236PB	Impeller, 1 HP - Models MPEA6E-205L, MPE6D-205L, MPRA6E-205L, MPRA6E-147L, MPRA6E-147LC	73.18	87.93
8	C105-236PC	Impeller, 1-1/2 HP - Models MPEA6F-206L, MPE6E-206L, MPRA6F-206L, MPRA6YF-206L,	73.18	87.93
8	C105-236PDA	Impeller, 2 HP - Models MPEA6G-207L, MPE6F-207L, MPEA6YG-207L, MPE6YF-207L, MPRA6G-207	73.18	87.93
8	C105-236PEA	Impeller, 2-1/2 HP - Models MPEAA6G-208L, MPA6G-208L, MPEAA6YG-208L, MPE6G-208L	73.18	87.93
8A	33455-1047	Gasket, Models MPEA6G-207L, MPE6F-207L, MPEA6YG-207L, MPE6YF-207L, MPRA6G-207	CALL	CALL
8A	33455-1047	Gasket, Models MPEAA6G-208L, MPA6G-208L, MPEAA6YG-208L, MPE6G-208L	CALL	CALL
8B	37337-6080	Impeller Lock Screw, Models MPEA6G-207L, MPE6F-207L, MPEA6YG-207L, MPE6YF-207L, MPRA6G-207	29.74	35.74
8B	37337-6080	Impeller, Models MPEAA6G-208L, MPA6G-208L, MPEAA6YG-208L, MPE6G-208L	29.74	35.74

Item	Part No.	Description	US List	Can. List
9	C1-270PB	Diffuser - 1/2 HP	45.35	54.49
9	C1-270PC	Diffuser - 1 HP	45.35	54.49
9	C1-270P	Diffuser - 1-1/2 HP	45.35	54.49
9	C1-270P	Diffuser - 2 HP	45.35	54.49
9	C1-270P	Diffuser - 2-1/2 HP	45.35	54.49
10	U9-374Z	Diffuser O-Ring	8.37	10.06
10	357098Z	Diffuser O-Ring (Blue Coating)	8.89	10.68
11	C76-71P	Tank and Trap Body (Only)	421.52	506.50
12	17307-0111S	Lid and Locking Ring Assembly	108.40	130.25
13	35505-1440Z	Trap Cover O-Ring	CALL	CALL
14	C8-58PZ	Trap Basket	21.27	25.56
15A	U178-920PZ	Drain Plug	7.80	9.37
15B	U30-919SS	Mounting Screw 5/16-14 x 5/8 in.	6.74	8.10
16	C4-77P	Base - Plastic	76.64	92.09
17	C35-45	Motor Pad - for Plastic Base	6.97	8.38
18	U30-542SSZ	Screw #8-32 x 7/8 in. Rd. Hd.	CALL	CALL
19	U43-21SS	Lock Washer #8 Tooth.	2.65	3.18
20	U43-62SS	Flat Washer 3/8 in.	2.65	3.18
21	U43-12SS	Lock Washer 3/8 in.	4.14	4.97
22	071403	Nut 3/8-16 Hex	CALL	CALL
23	U30-75SS	Cap Screws 3/8-16 x 1-1/4 in. Hex. (LS Suffix)	4.28	5.14
24	U30-74SS	Cap Screws 3/8-16 x 1 in. Hex.	6.76	8.12

Note: Pumps and replacement motors that are single speed and one (1) Total HP or greater cannot be sold, offered for sale, or installed in a residential pool for filtration use in California, Title 20 CCR sections 1601-1609.

OPTIFLO® PUMP

PENTAIR AND STA-RITE REPLACEMENT PARTS



CALIFORNIA PROPOSITION 65 WARNING
 ⚠️ WARNING: Cancer and Reproductive Harm.
 ⚠️ AVERTISSEMENT: Peut Causer le Cancer et des Dommages au Système Reproducteur.
 ⚠️ ADVERTENCIA: Cáncer y Daño Reproductivo.
www.p65warnings.ca.gov PH.001714

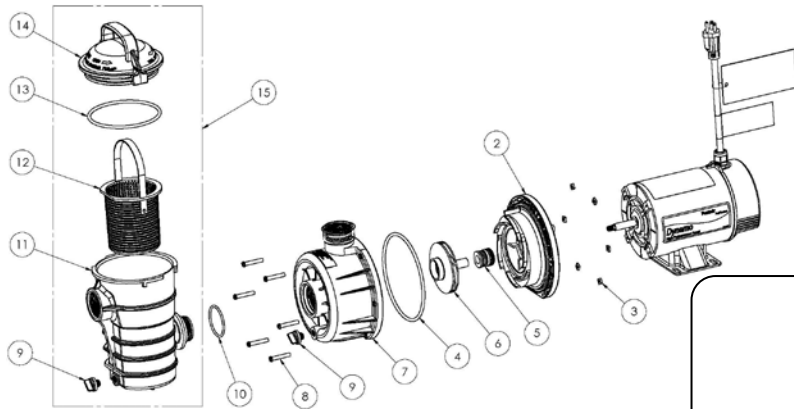
Item	Part No.	Description	US List	Can. List
OPTIFLO PUMPS				
1	357161Z	Drain plug	7.80	9.37
2	354545S	Mechanical seal	44.23	53.15
3	350017	Impeller, 1 HP	93.27	112.07
3	354552	Impeller, 3/4 HP	45.56	54.74
3	350018	Impeller, 1-1/2 HP	98.85	118.78
4	192115Z	O-ring	3.90	4.69
5	357213	Volute ¹	42.52	51.09
6	357255Z	O-ring 2-357	8.53	10.25
7	357227	Lid	18.45	22.17
7	357323	Chemical Resistant Lid	CALL	CALL
8	357228Z	Pot ¹	CALL	CALL
9	357239	Clamp ring	22.32	26.82
10	357254	1/4-20 Square nut	2.18	2.62
11	355667Z	Basket	CALL	CALL
12	357215	Seal plate	52.77	63.41
13	350103	O-ring 2-130	8.53	10.25
14	98209000	1/4-20 x 1-1/2 Machine screw	3.14	3.77
NOT SHOWN				
	79137800	3 ft. cord - standard	99.42	119.46
	155234	3 ft. cord - TW	119.97	144.16

¹ Includes drain plugs.

Note: Pumps and replacement motors that are single speed and one (1) Total HP or greater cannot be sold, offered for sale, or installed in a residential pool for filtration use in California, Title 20 CCR sections 1601-1609.

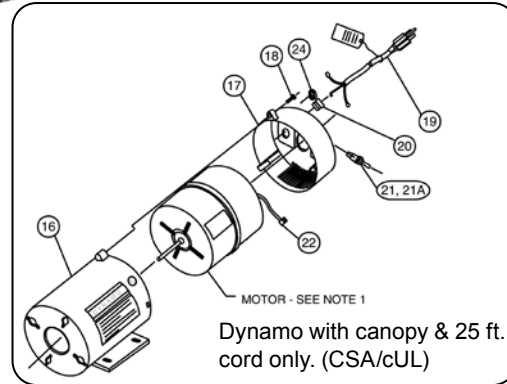
DYNAMO® PUMP

PENTAIR AND STA-RITE REPLACEMENT PARTS



CALIFORNIA PROPOSITION 65 WARNING

⚠ **WARNING:** Cancer and Reproductive Harm.
 ⚠ **AVERTISSEMENT:** Peut Causer le Cancer et des Dommages au Système Reproducteur.
 ⚠ **ADVERTENCIA:** Cáncer y Daño Reproductivo.
www.p65warnings.ca.gov PH 201714



Item	Part No.	Description	US List	Can. List
DYNAMO PUMPS				
MOTORS				
2	354632	Diffuser, 3/4 HP bracket	160.58	192.95
2	354633	Diffuser, 1, 1-1/2 HP bracket	160.58	192.95
3	354542	Nut, 10-24 SS, 6 req.	2.38	2.86
4	354634	O-ring, 3/16 in. bracket diffuser	12.46	14.97
5	354545S	Seal, 5/8 in. mechanical	44.23	53.15
6	353002	Impeller, 1/2 HP	55.99	67.28
6	354552	Impeller, 3/4 HP	45.56	54.74
6	355122	Impeller, 1 HP	52.86	63.52
7	354630	Housing, body	178.13	214.04
8	354541	Screw, 10-24-1-1/2 in. slotted hex, 6 req.	3.31	3.98
9	U178-920PZ	Drain plug assy. - 2 req.	7.80	9.37
10	273062Z	O-ring	CALL	CALL
11	354530Z	Pot	CALL	CALL
12	354548Z	Basket w/ handle	CALL	CALL
13	354533Z	O-ring, lid	CALL	CALL
14	354531	Lid, universal	88.15	105.92
14	354113	Chemical Resistant Lid	88.15	105.92
15	354103	Pot assembly	350.58	421.26

Item	Part No.	Description	US List	Can. List
DYNAMO WITH CANOPY AND 25 FT. CORD ONLY (CSA/cUL)				
16	354621	Body, motor enclosure	76.02	91.35
17	354881	Cap, motor enclosure (on/off)	98.89	118.83
17	354882	Cap, motor enclosure (two-speed)	98.89	118.83
18	154716	Screw, No.10 self tapping	1.14	1.37
19	155371	Cord, 25 ft.	119.62	143.74
20	41412700	Bushing connector	16.56	19.90
21	155187	Switch, on/off toggle (CSA)	33.89	40.72
21A	356546	Switch, three position toggle (Hi/Low/Off)	86.40	103.82
22	155193	Wire, 6 in. jumper	9.97	11.98
24	350024	Locknut, steel 1-1/2 in.	1.37	1.65
NOT SHOWN				
	352256	Nut, 1-1/2 in. quick connect, 2 req.	15.44	18.55
	354571Z	O-ring, 2 req.	CALL	CALL
	79137800	3 ft. cord standard assembly	99.42	119.46
	352245	Strain relief bushing for cords	6.54	7.86
	350444	Canopy switch assembly, on/off ¹	73.69	88.55
	350481	Canopy with on-off switch ²	CALL	CALL
	155380Z	Base CSA 4 in.	129.24	155.29
	155234	3 ft. cord TW	119.97	144.16
	79137800	3 ft. cord-standard	99.42	119.46

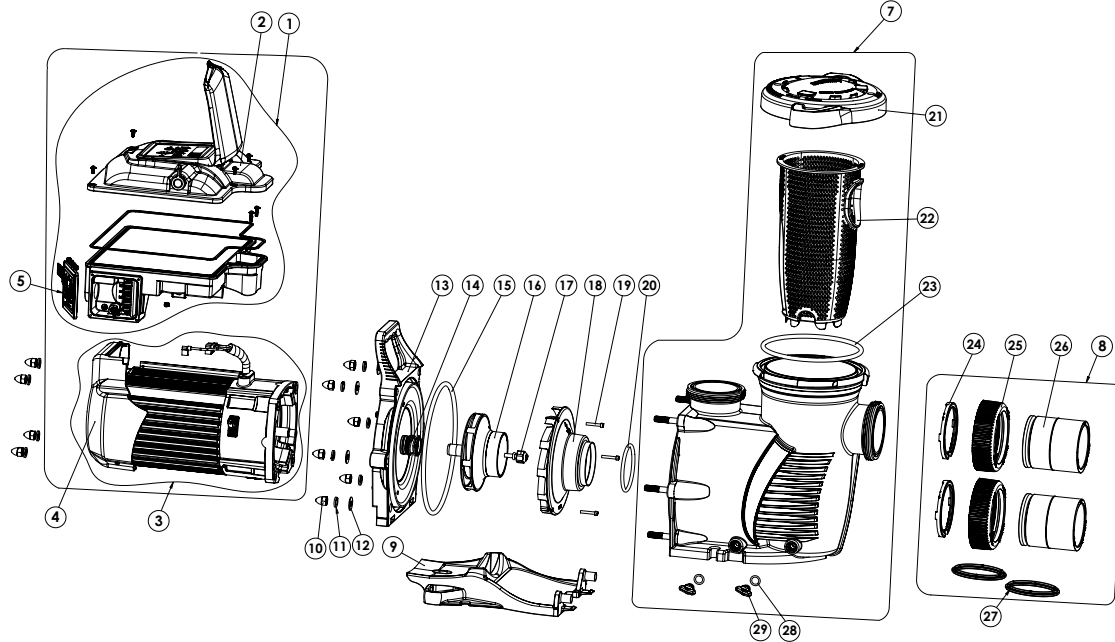
¹ Pumps manufactured before 4/13.

² Pumps manufactured after 4/13.

Note: Pumps and replacement motors that are single speed and one (1) Total HP or greater cannot be sold, offered for sale, or installed in a residential pool for filtration use in California, Title 20 CCR sections 1601-1609.

WHISPERFLOXF® VS PUMP / MAX-E-PROXF® VS PUMP

REPLACEMENT PARTS



Item	Part No.	Description	US List	Can. List
WHISPERFLOXF VS PUMP /MAX-E-PROXF VS PUMP				
1	358085	WhisperFloXF VS Drive Kit (includes drive, top cover, keypad cover and field wiring cover/screws)	3407.39	4094.32
1	358086	Max-E-ProXF VS Drive Kit (includes drive, top cover, keypad cover and field wiring cover/screws)	3407.39	4094.32
2	358093	WhisperFloXF VS Top Cover Kit w/Screws	774.95	931.18
2	358094	Max-E-ProXF VS Top Cover Kit w/Screws	774.95	931.18
3	358089	WhisperFloXF VS Motor w/Fan Shroud	2180.72	2620.35
3	358090	Max-E-ProXF VS Motor w/Fan Shroud	2180.72	2620.35
4	358095	WhisperFloXF VS Fan Shroud w/Screws	167.44	201.20
4	358096	Max-E-ProXF VS Fan Shroud w/Screws	167.44	201.20
5	358091	WhisperFloXF VS Field Wiring Cover w/Screws	97.35	116.98
5	358092	Max-E-ProXF VS Field Wiring Cover w/Screws	97.35	116.98
7	400000	WhisperFloXF VS Wet End Assembly	485.54	583.42
7	401000	Max-E-ProXF VS Wet End Assembly	485.54	583.42
8	410020	Union Kit	221.19	265.78
9	400004Z	WhisperFloXF VS Motor Base	59.26	71.21
9	401004Z	Max-E-ProXF VS Motor Base	59.26	71.21
10	071413	Acorn Nut (Qty. 10)	1.87	2.25
11	U43-12SS	Lock Washer (Qty. 10)	4.14	4.97
12	072184	Flat Washer (Qty. 6)	2.38	2.86
13	400002	WhisperFloXF VS Seal Plate	320.90	385.59
13	401002	Max-E-ProXF VS Seal Plate	320.90	385.59
14	17351-0101S	Mechanical Seal	40.29	48.41
15	351446Z	Seal Plate O-Ring	CALL	CALL

Item	Part No.	Description	US List	Can. List
16	400023Z	Impeller Assembly	210.59	253.04
17	072172	Impeller Screw Washer (Applicable after 10/7/2019 only)	0.38	0.46
17	37337-6080	Impeller Screw, Plastic-Head (pumps mfg. before 10/7/2019)	29.74	35.74
17	356073	Impeller Screw, Metal-Head (pumps mfg. after 10/7/2019)	11.64	13.99
18	400011	Diffuser	CALL	CALL
19	353323	Diffuser Screws	5.06	6.08
20	350336Z	Diffuser O-Ring	CALL	CALL
21	400006	WhisperFloXF VS Lid/Locking Ring Assembly	85.44	102.66
21	401006	Max-E-ProXF VS Lid/Locking Ring Assembly	85.44	102.66
22	400007Z	Strainer Basket	53.43	64.20
23	35505-1440Z	Lid/Locking Ring O-Ring	CALL	CALL
24	410001	2.5 in. C-Clip Locking Ring (Qty. 2)	10.83	13.01
25	411000	2.5 in. Union Nut (Qty. 2)	29.72	35.71
26	410002	2.5 in. Union Adapter w/o Tap (Qty. 2)	51.26	61.59
27	410016Z	2.5 in. Diamond Seal Kit (Qty. 2)	18.28	21.97
28	192115Z	Drain Plug O-Ring (Qty. 2)	3.90	4.69
29	071131Z	WhisperFloXF VS Drain Plug (2 req.)	9.51	11.43
29	357161Z	Max-E-ProXF VS Drain Plug (Qty. 2)	7.80	9.37
NOT SHOWN				
	356324Z	External Control Wiring Kit	116.13	139.54
	97014-4203KIT	3-inch Flowmeter Kit	CALL	CALL
	400030Z	Seal Plate Hardware and O-Ring Kit*	97.10	116.68
	400012	Riser Plate, XF to Challenger	102.52	123.19

*NOTE: HARDWARE AND O-RING KIT INCLUDES ITEM NO. 9-11 AND 14.

Product on pages 252–255.

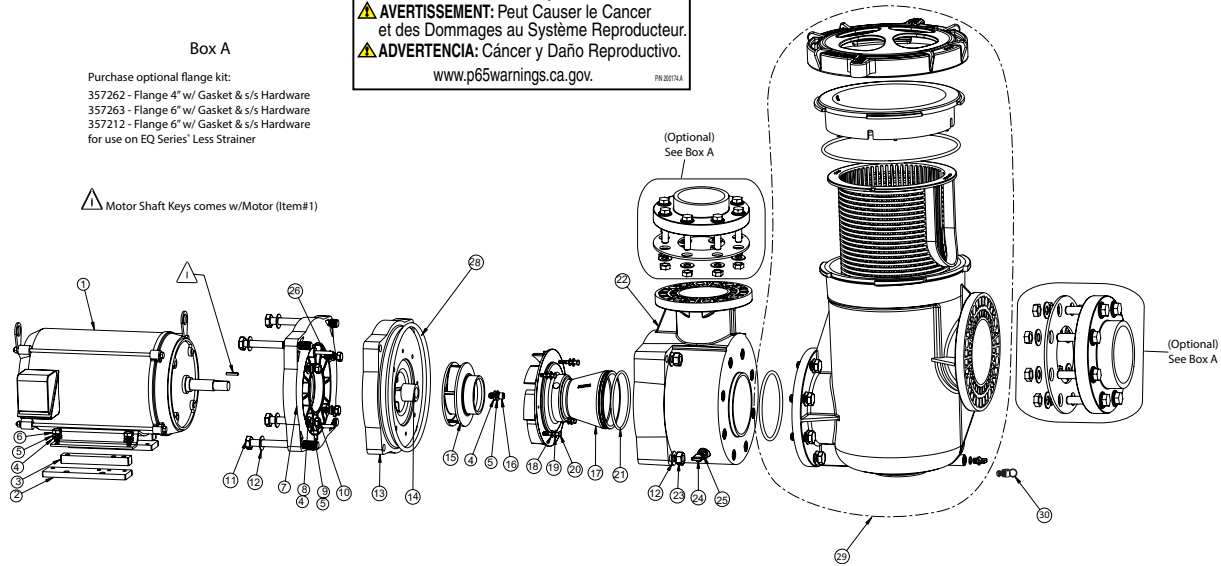
EQ SERIES® COMMERCIAL PLASTIC PUMP REPLACEMENT PARTS

CALIFORNIA PROPOSITION 65 WARNING
 ⚠️ **WARNING:** Cancer and Reproductive Harm.
 ⚠️ **AVERTISSEMENT:** Peut Causer le Cancer et des Dommages au Système Reproducteur.
 ⚠️ **ADVERTENCIA:** Cáncer y Daño Reproductivo.
www.p65warnings.ca.gov PH200714

Box A

Purchase optional flange kit:
 357262 - Flange 4" w/ Gasket & s/s Hardware
 357263 - Flange 6" w/ Gasket & s/s Hardware
 357212 - Flange 6" w/ Gasket & s/s Hardware
 for use on EQ Series' Less Strainer

⚠️ Motor Shaft Keys comes w/Motor (Item#1)



Part No.	Model No.	HP	Phase	Motor Support (Item No. 2)	Additional Motor Support (Item No. 3)	Motor No. (Item No. 1)	Impeller (Item No. 15)	Diffuser (Item No. 17)
340019, 340030	EQ500	5	1	356713	356712	357065S	350030	350032
340020, 340031	EQK500	5	3	356713	356712	357068S	350030	350032
340604, 340608	EQKT500	5	3	356713	356712	350731Z	350030	350032
340021, 340032	EQ750	7-1/2	1	356713	N/A	357066S	350029	350033
340022, 340033	EQK750	7-1/2	3	356713	356712	357069S	350029	350033
340605, 340609	EQKT750	7-1/2	3	356713	N/A	350732Z	350029	350033
340237, 340238	EQ1000	10	1	356713	N/A	357063S	350028	350033
340023, 340034	EQK1000	10	3	356713	N/A	357070S	350028	350033
340606, 340610	EQKT1000	10	3	356713	N/A	350733Z	350028	350033
340024, 340035	EQK1500	15	3	356713	N/A	357071S	350027	356735
340607, 340611	EQKT1500	15	3	356713	N/A	350734Z	350027	356735
340045, 340047	EQK1000 EXPL PF, 50 Hz	10	3	356713	N/A	350112S	350027	356735
340046, 340048	EQK750 EXPL PF, 50 Hz	7-1/2	3	356713	N/A	350113S	350028	350033
340049, 350083	EQK1000, 50 Hz	10	3	356713	N/A	350153S	350027	356735
340080, 340084	EQK750, 50 Hz	7-1/2	3	356713	N/A	350154S	350028	350033
340081, 340085	EQK500, 50 Hz	5	3	356713	356712	350155S	350029	350033
340082, 340086	EQK300, 50 Hz	3	3	356713	356712	350156S	350030	350032
340014, 340026	EQW300	3	1	356713	356712	357064S	350027	356735
340016, 340027	EQWK300	3	3	356713	356712	357067S	350027	356735
340018, 340029	EQWK500	5	3	356713	356712	350158S	350070	357273
340017, 340028	EQW500	5	1	356713	356712	350159S	350070	357273
340148, 340155	EQK500 575V	5	3	356713	356712	355038S	350030	350032
340149, 340156	EQK750 575V	7-1/2	3	356713	356712	355039S	350029	350033

Call for pricing on these items.

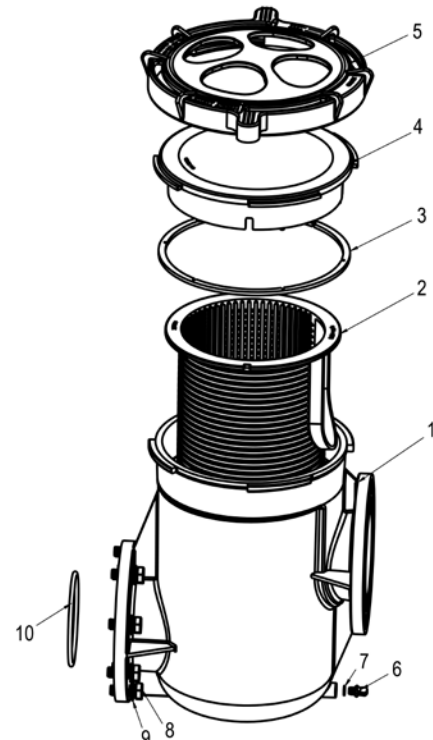
EQ SERIES® COMMERCIAL PLASTIC PUMP

REPLACEMENT PARTS

Item	Part No.	Description	US List	Can. List
EQ SERIES PUMP				
1		Motor - See Table on Prev Page		
2		Support - Motor - See Table on Prev Page		
3		Support Adapter - See Table on Prev Page		
4	072184	Washer, Flat 3/8 in. ID x 7/8 in. OD .05 Thk 18-8 s/s - (qty. 51 & qty. 9)	2.38	2.86
5	98220600	Washer Split Lock 3/8 in. 18-8 s/s - (qty. 51 & qty. 9)	2.38	2.86
6	A135	Screw 3/8 in.-16 x 3/4 in. Hx Hd Cap 18-8 s/s (EQ750...1PH, EQ1000, EQ1500) - (qty. 4)	19.16	23.02
6	350073	Screw 3/8 in.-16 x 1-1/2 Hx Hd Cap 18-8 s/s (EQ300, EQ500, EQ750...3PH) - (qty. 4)	8.83	10.61
7	356790	Adapter - Motor - EQ Series	1585.86	1905.57
8	075842	Washer, Flat 1/2 in. ID x 1-1/4 in. OD .125 Thk 300 s/s - (qty. 4)	2.38	2.86
9	350063	Washer Split Lock 1/2 in. 18-8 s/s - (qty. 4)	11.32	13.60
10	U30-74SS	Screw 3/8 in.-16 x 1 in. Hx Hd Cap 18-8 s/s (EQ300, EQ500, EQ750...3PH) - (qty. 4)	6.76	8.12
10	071687	BLT 1/2-13 x 1.25 STL HH SS (qty. 4)	9.97	11.98
11	356710	Screw 5/8 in.-11 x 6-1/2 in. Hx Hd Cap 18-8 s/s - (qty. 4)	216.56	260.22
12	356789	Washer, Flat 11/16 in. IDx1 - 5/16 in. OD .078 Thk 300 s/s (qty. 8)	2.38	2.86
13	356795	Seal Plate - EQ Series	1874.20	2252.04
14	071725S	Seal Set	78.69	94.55
15		Impeller - See Table on Prev Page		
16	071037	Screw 3/8 in.-16 x 1 in. Sckt. Hd Cap 18-8 s/s	10.22	12.28

Item	Part No.	Description	US List	Can. List
17		Diffuser - See Table on Prev Page		
18	51008500	Washer, Flat 1/4 in. 300 s/s - (qty. 4)	6.38	7.67
19	072172	Washer Split Lock 1/4 in. 18-8 s/s - (qty. 4)	0.38	0.46
20	350035	Screw 1/4 in.-20 x 1-1/2 in. Hx Hd Cap 18-8 s/s (EQ500, EQ750, EQ1000) - (qty. 4)	8.45	10.15
20	356797	Screw 1/4 in.-20 x 1-3/4 in. Hx Hd Cap 18-8 s/s (EQW300, EQ1500) - (qty. 4)	9.51	11.43
21	350037	O-ing Diffuser 3/16 in. x 4-7/8 in.	29.36	35.28
22	356755	Housing - EQ Series	5639.70	6776.66
23	356776	Nut 5/8 in.-11 Hx Brass - (qty. 5)	27.69	33.27
24	357161Z	Drain Plug	7.80	9.37
25	192115Z	O-ring Drain Plug	3.90	4.69
26	350060	Pin Dowel 5/16 in. x 1-3/4 in. 18-8 s/s - (qty. 2)	40.62	48.81
28	356780	O-ring Seal Plate 3/8 in. x 11 in. dia.	87.32	104.92
29	340013	Strainer Pot Assy Complete EQ 6 in. x 6 in.	2459.18	2954.95
30	350087	Pressure Relief Valve	108.74	130.66
NOT SHOWN				
	351137S	EQ Alignment Tool Seal Plate to Motor	404.63	486.20
	354825	Hardware Kit for 7.5 HP ODP to TEFC Motor Conversion	83.05	99.79
	355930	5HP 3-phase TEFC power end	7316.28	8791.24
	355931	7-1/2HP 3-phase TEFC power end	8130.94	9770.14
	355932	10HP 3-phase TEFC power end	9256.27	11122.33
	355933	15HP 3-phase TEFC power end	10686.73	12841.17

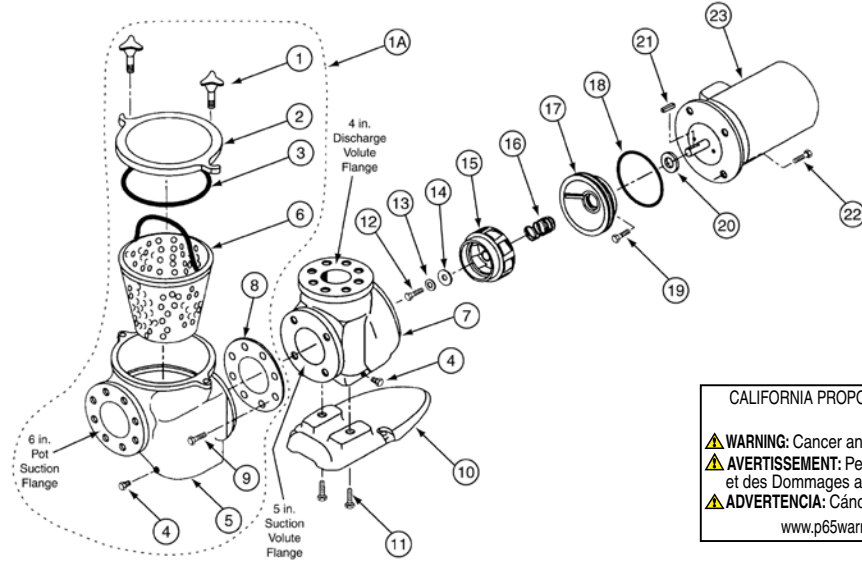
Item	Part No.	Description	US List	Can. List
EQ SERIES HAIR & LINT STRAINER				
1	356725	Pot EQ strainer	1911.34	2296.67
2	357184	Basket EQ strainer	351.55	422.42
3	350166	Gasket, EQ lid	35.42	42.56
4	356750	Lid EQ clear	796.66	957.27
5	350171	Clamp Cam & Ramp™ EQ (No Lid)	1100.80	1322.72
6	357161Z	Drain Plug	7.80	9.37
7	192115Z	O-ring drain plug	3.90	4.69
8	356788	Screw, 5/8 in., 11 x 1-3/4 in. hx hd cap 18-8 SS (qty. 8)	17.46	20.98
9	356789	Washer, flat 11/16 in. ID x 1-5/16 in. OD 0.078 thk 300 SS (qty. 8)	2.38	2.86
10	350013Z	O-ring pot flange	5.83	7.01
NOT SHOWN				
	350087	Pressure relief valve, 1/4 in. NPT	108.74	130.66



CALIFORNIA PROPOSITION 65 WARNING
⚠ WARNING: Cancer and Reproductive Harm.
⚠ AVERTISSEMENT: Peut Causer le Cancer et des Dommages au Système Reproducteur.
⚠ ADVERTENCIA: Cáncer y Daño Reproductivo.
www.p65warnings.ca.gov PHS 201214

C SERIES® HIGH PERFORMANCE COMMERCIAL PUMP

REPLACEMENT PARTS



CALIFORNIA PROPOSITION 65 WARNING
 ⚠️ **WARNING:** Cancer and Reproductive Harm.
 ⚠️ **AVERTISSEMENT:** Peut Causer le Cancer et des Dommages au Système Reproducteur.
 ⚠️ **ADVERTENCIA:** Cáncer y Daño Reproductivo.
 www.p65warnings.ca.gov. P652017A

Item	Part No.	Ref. No.	Description	US List	Can. List
C SERIES PUMPS					
1	075280	54475280618	Hand nut assembly, bronze, 2 req.	218.97	263.11
1A	072747		C series pot assembly ¹	9931.95	11934.23
2	075275	26075275219	Cover, C16, bronze	1588.26	1908.45
3	071433	3640525457	O-ring, C-18	15.03	18.06
4	071551	6000002190	Plug pipe, 1/4 in. bronze, 1 req.	8.90	10.69
5	075271Z	79675271199	Pot mach. bronze	7524.31	9041.21
6	072795	70472795100	Basket, C-29 SS 11 in.	747.24	897.88
7	075273Z	18075273199	Volute, C-2 bronze	7422.75	8919.18
8	070943	36470943603	Gasket flange, P-135, 5 in.	46.03	55.31
9	071683	1680634104	Screw, 3/4-10, 1-3/4, SS, 4 req.	57.46	69.04
10	075287	82075287632	Foot, C-4 coated	165.42	198.77
11	071688	1680558359	Screw, 5/8, 11 x 1 stl. hh., 2 req.	3.03	3.64
12	071037	1680115104	Impeller, C-35 lock screw	10.22	12.28
13	071048	90871048212	Impeller, washer, C-71	23.07	27.72
14	075713Z	3642034603	Impeller, washer gasket	CALL	CALL
15	073828	44473328208	Impeller, CH-50/CHK-50/CHKL-50, 5HP, 1PH, 3PH, high hd.	2451.12	2945.27
15	070228	44470228208	Impeller, CM-50/CMK-50/CMKL-50, 5HP, 1PH, 3PH, med. hd.	2451.12	2945.27
15	073829	44473829208	Impeller, CH-75/CHK-75/CHKL-75, 7.5HP, 1PH, 3PH, high hd.	2451.12	2945.27
15	070227	44470227208	Impeller, CM-75/CMK-75/CMKL-75, 7.5HP, 1PH, 3PH, med. hd.	2451.12	2945.27
15	073830	44473830208	Impeller, CH-100/CHK-100/CHKL-100, 10HP, 1PH, 3PH, high hd.	2451.12	2945.27

Item	Part No.	Ref. No.	Description	US List	Can. List
15	070226	44470226208	Impeller, CM-100/CMK-100/CMKL-100, 10HP, 1PH, 3PH, med hd.	2451.12	2945.27
15	073831	44473831208	Impeller, CHK-150/CHKL-150, 15HP, 3PH, high hd.	2451.12	2945.27
15	070225	44470225208	Impeller, CMK-150/CMKL-150, 15HP, 3PH, med hd.	2451.12	2945.27
15	073832	44473832208	Impeller, CHK-200/CHKL-200, 20HP, 3PH, high hd.	2451.12	2945.27
16	071725S	71271725753	Seal, C-7, PS-360	78.69	94.55
17	070906	11670906199	Flange, mach., C-52 brass	1067.54	1282.76
18	071423	3640508457	O-ring, C-70	5.95	7.15
19	071681	1680378104	Screw, 3/8, 16 x 7/8 in. CS hh., 2 req.	CALL	CALL
20	072185	7641043478	Water slinger, C-115	15.85	19.05
21	071046	4720201104	Impeller, key, 3/16 in.	40.15	48.24
22	071687	1680155113	Screw, 1/2, 13 x 1-1/4 stl. hh., 4 req.	9.97	11.98
60 HERTZ MOTORS					
23	357205S		Motor package, 5HP, 1PH, 200/208V	CALL	CALL
23	071366S	52571366999	Motor package, 5HP, 1PH, 230V	CALL	CALL
23	357206S		Motor package, 5HP, 3PH, 200/208V	CALL	CALL
23	071364S	52571364999	Motor package, 5HP, 3PH, 208-220/440	CALL	CALL
23	357207S		Motor package, 7-1/2 HP, 1PH, 200/208V	CALL	CALL
23	357204S	525357204999	Motor package, 7-1/2 HP, 1PH, 230V	CALL	CALL
23	357208S		Motor package, 7-1/2 HP, 3PH, 200/208V	CALL	CALL
23	071365S	52571365999	Motor package, 7-1/2 HP, 3PH, 208-220/440V	CALL	CALL

C SERIES® HIGH PERFORMANCE PUMP (CONT'D)

REPLACEMENT PARTS

Item	Part No.	Ref. No.	Description	US List	Can. List
C SERIES PUMPS					
60 HERTZ MOTORS (Cont'd)					
23	357247S		Motor package, 7.5HP, 3PH, 575V	CALL	CALL
23	357209S		Motor package, 10HP, 3PH, 200/208V	CALL	CALL
23	357249S		Motor package, 10HP, 1PH, 230V	CALL	CALL
23	071363S	52571363999	Motor package, 10HP, 3PH, 208-220/440V	CALL	CALL
23	357238S		Motor package, 10HP, 3PH, 575V	CALL	CALL
23	357210S		Motor, package 15HP, 3PH, 200/208V	CALL	CALL
23	071361S	52571361999	Motor package, 15HP, 3PH, 208-220/440V	CALL	CALL
23	357245S		Motor package, 15HP, 3PH, 575V	CALL	CALL
23	357211S		Motor package, 20HP, 3PH, 200/208V	CALL	CALL
23	071362S	52571362999	Motor package, 20HP, 3PH, 208-220/440V	CALL	CALL
23	357246S		Motor, package 20HP, 3PH, 575V	CALL	CALL
50 HERTZ MOTORS					
23	072737S	52572737999	Motor, 5HP, 3PH, 380/415V	CALL	CALL
23	072739S	52572739999	Motor, 7.5HP, 3PH, 380/415V	CALL	CALL
23	072740S	52572740999	Motor, 10HP, 3PH, 380/415V	CALL	CALL
23	072742S	52572742999	Motor, 15HP, 3PH, 380/415V	CALL	CALL
23	072744S	52572744999	Motor, 20HP, 3PH, 380/415V	CALL	CALL
Motor subassemblies include items No.12 -21 and 23					
	073260	A073260	Motor, sub assembly, CM-50	CALL	CALL
	073262	A073262	Motor, sub assembly, CMK-50 ²	CALL	CALL
	073264	A073264	Motor, sub assembly, CH-50	CALL	CALL
	073265	A073265	Motor, sub assembly, CHK-50 ²	CALL	CALL
	073263	A073263	Motor, sub assembly CMK-75 ²	CALL	CALL
	073266	A073266	Motor, sub assembly CHK-75 ²	CALL	CALL
	073680	A073680	Motor, sub assembly CMK-100 ²	14703.58	17667.82
	073267		Motor, sub assembly CHK-100 ²	CALL	CALL
	073261	A073261	Motor, sub assembly CMK-150 ²	CALL	CALL
	073268	A073268	Motor, sub assembly CHK-150 ²	CALL	CALL

Item	Part No.	Ref. No.	Description	US List	Can. List
	073269	A073269	Motor, sub assembly CHK-200 ²	CALL	CALL
	357910	A357910	Motor, sub assembly CH-75, 1PH, 230V ³	CALL	CALL
	357930	A357930	Motor, sub assembly CM-75, 1PH, 200V ³	CALL	CALL
	357935	A357935	Motor, sub assembly CH-75, 1PH, 200V ³	CALL	CALL
	357250		Motor, sub assembly CH-100, 10HP, 1PH, 230V	CALL	CALL
	357251		Motor, sub assembly CM-100, 1PH, 230V	CALL	CALL
	014700	A014700	Motor, sub assembly CMKL-50 380/415V ⁴	CALL	CALL
	014801	A014801	Motor, sub assembly CHKL-50 380/415V ⁴	CALL	CALL
	014701	A014701	Motor, sub assembly CMKL-75 380/415V ⁴	CALL	CALL
	014802	A014802	Motor, sub assembly CHKL-75 380/415V ⁴	CALL	CALL
	014702	A014702	Motor, sub assembly CMKL-100 ⁴	CALL	CALL
	014803	A014803	Motor, sub assembly CHKL-100 ⁴	CALL	CALL
	014703	A014703	Motor, sub assembly CMKL-150 ⁴	CALL	CALL
	014804	A014804	Motor, sub assembly CHKL-150 ⁴	CALL	CALL
	014805	A014805	Motor, sub assembly CHKL-200 ⁴	CALL	CALL

¹ Includes: 2 of item No. 1, 1 each of items No. 2 thru No. 6, 1 of item No. 8 and 4 of item No. 9.

² All motor subassemblies are 60 Hertz 220/440V, 3 phase.

³ All motor subassemblies are single phase 60 Hertz.

⁴ All motor subassemblies are 50 Hertz 380/415V, 3 phase.

Notes:

- All bronze C-series parts will retrofit older cast iron models.
- Standard flange not included with pump.
- For all 200/208V applications, use 200/208V motors only.

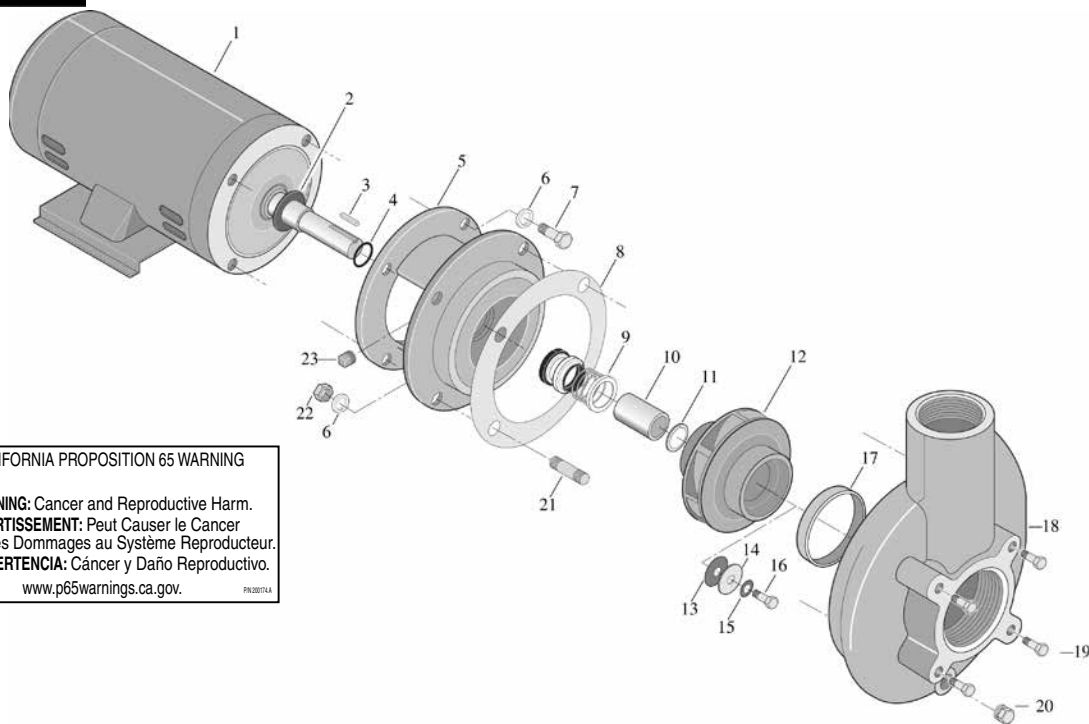
CALIFORNIA PROPOSITION 65 WARNING

▲ **WARNING:** Cancer and Reproductive Harm.
▲ **AVERTISSEMENT:** Peut Causer le Cancer et des Dommages au Système Reproducteur.
▲ **ADVERTENCIA:** Cáncer y Daño Reproductivo.

www.p65warnings.ca.gov. PH000164

C/CC SERIES™ CENTRIFUGAL PUMP

3 HP MODEL REPLACEMENT PARTS



CALIFORNIA PROPOSITION 65 WARNING
 ⚠️ **WARNING:** Cancer and Reproductive Harm.
 ⚠️ **AVERTISSEMENT:** Peut Causer le Cancer et des Dommages au Système Reproducteur.
 ⚠️ **ADVERTENCIA:** Cáncer y Daño Reproductivo.
www.p65warnings.ca.gov PA 08/2014

Item	Part No.	Description	US List	Can. List
CENTRIFUGAL PUMP - C/CC SERIES - 3 HP				
1	C218-177	Motor 230V/60H/1 Ph.	CALL	CALL
1	C218-178	Motor 200V/60H/3 Ph.	CALL	CALL
1	C218-179	Motor 230/460V/60H/3 Ph.	CALL	CALL
1	C218-191	Motor 200V/60H/1 Ph.	CALL	CALL
3	U65-42A	Key, Impeller	19.38	23.29
4	U9-265	O-Ring	3.93	4.72
5	C2-81	Adapter (Models: CCMH-136, CCM2H-136, CCM2H-136S, CCMH3-136S, CCM2H3-136, CCM2H3--136S, CCHH-137S, CCHH3-137S, CCH2H-137S, CCH2H3-137, CCH2H3-137S)	358.88	431.23
5	C2-81D	Adapter (Models: CMH-136, CMH3-136, CM2H-136, CM2H3-136, CHH-137, CHH3-137, CH2H3-137)	1306.79	1570.24
6	U43-12ZP	Lockwasher, 3/8 in.	CALL	CALL
7	U30-73ZP	Capscrew, 3/8-16 x 7/8 in.	CALL	CALL
8	C20-77	Gasket	CALL	CALL
9	U109-433SS	Shaft Seal (Replaces U109-220, effective 8/00)	206.28	247.87
10	C23-58	Shaft Sleeve	195.20	234.55
11	C20-101	Gasket, Sleeve	5.03	6.04
12	C105-224DG	Impeller (Silicon Brass) (Models: CCMH-136, CCM2H-136, CCM2H-136S, CCMH3-136S, CCM2H3-136, CCM2H3-136S, CMH-136, CMH3-136, CM2H-136, CM2H3-136)	1187.83	1427.30
12	C105-224DF	Impeller (Silicon Brass) (Models: CCHH-137S, CCHH3-137S, CCH2H-137S, CCH2H3-137, CCH2H3-137S, CHH-137, CHH3-137, CH2H3-137)	1140.14	1369.99

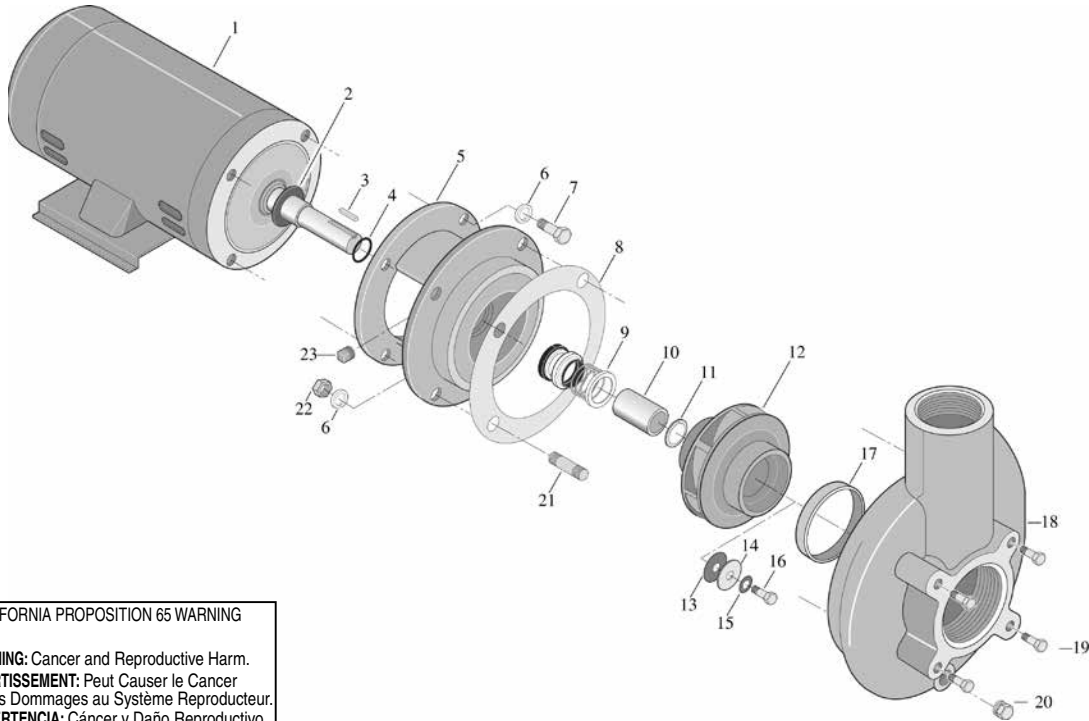
Item	Part No.	Description	US List	Can. List
13	C20-100	Gasket, Impeller	5.03	6.04
14	C43-45SS	Washer, Impeller	9.67	11.62
15	C43-46	Washer, Stat-O-Seal	8.60	10.33
16	U30-72SS	Screw, Impeller 3/8-16 x 3/4 in.	6.56	7.88
17	C23-40	Wear Ring Only	CALL	CALL
18	C101-167	Volute Assembly (Incl. 17 Only) (Models CCMH-136, CCM2H-136, CCM2H-136S, CCMH3-136S, CCM2H3-136, CCHH-137S, CCHH3-137S, CCH2H-137S, CCH2H3-137, CCH2H3-137S)	725.31	871.53
18	C101-167D	Volute Assembly (Incl. 17 Only) (Models CMH-136, CMH3-136, CM2H-136, CM2H3-136, CHH-137, CHH3-137, CH2H3-137)	2227.58	2676.66
20	U78-941ZPV	Pipe Plug, 1/4 in. NPT, Hex Head	2.49	2.99
21	U30-22SS	Stud, 3/8-16 x 1/16 in.	CALL	CALL
22	U36-38ZP	Nut, Hex 3/8 x 16 - (Models CCMH-136, CCM2H-136, CCM2H-136S, CCMH3-136S, CCM2H3-136, CCM2H3--136S, CCHH-137S, CCHH3-137S, CCH2H-137S, CCH2H3-137, CCH2H3-137S)	CALL	CALL
23	U78-57SSS	Pipe Plug, 1/4 in. NPT	CALL	CALL

Note: Model numbers with a "3" in them indicate a 3-Phase motor. Model numbers with a "2" in them indicate a 200V motor.

Note: C Series with different hydraulic numbers (CCMH-93) are older models that use different parts. Consult factory for older models.

C/CC SERIES™ CENTRIFUGAL PUMP

5 HP MODEL REPLACEMENT PARTS



CALIFORNIA PROPOSITION 65 WARNING

⚠ **WARNING:** Cancer and Reproductive Harm.
 ⚠ **AVERTISSEMENT:** Peut Causer le Cancer et des Dommages au Système Reproducteur.
 ⚠ **ADVERTENCIA:** Cáncer y Daño Reproductivo.
www.p65warnings.ca.gov P8305744

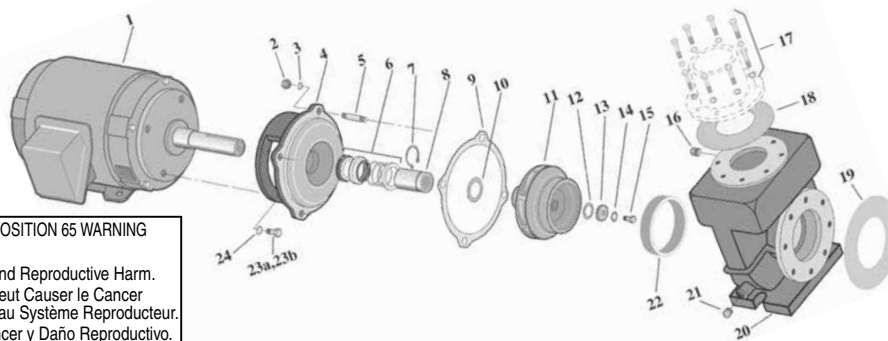
Item	Part No.	Description	US List	Can. List
CENTRIFUGAL PUMP - C/CC SERIES 5 HP				
1	C218-180	Motor 230V/60H/1 Ph.	CALL	CALL
1	C218-182	Motor 230/460V/60H/3 Ph.	CALL	CALL
1	C218-181	Motor 200V/60H/3 Ph.	CALL	CALL
3	U65-42A	Key, Impeller	19.38	23.29
4	U9-265	O-Ring	3.93	4.72
5	C2-81	Adapter (Models: CCHJ-138, CCHJ138S, CCHJ3-138S, CCH2J3-138S)	358.88	431.23
5	C2-81D	Adapter (Models: CHJ-138, CH2J3-138, CH2J3-138)	1306.79	1570.24
6	U43-12ZP	Lockwasher, 3/8 in.	CALL	CALL
7	U30-73ZP	Capscrew, 3/8-16 x 7/8 in.	CALL	CALL
8	C20-77	Gasket	CALL	CALL
9	U109-433SS	Shaft Seal	206.28	247.87
10	C23-58	Shaft Sleeve	195.20	234.55
11	C20-101	Gasket, Sleeve	5.03	6.04
12	C105-224DE	Impeller (Silicon Brass)	1167.74	1403.16
13	C20-100	Gasket, Impeller	5.03	6.04
14	C43-45SS	Washer, Impeller	9.67	11.62
15	C43-46	Washer, Stat-O-Seal	8.60	10.33
16	U30-72SS	Screw, Impeller 3/8-16 x 3/4 in.	6.56	7.88

Item	Part No.	Description	US List	Can. List
17	C23-40	Wear Ring Only	CALL	CALL
18	C101-167	Volute Assembly (Incl. 17 Only) (Models: CCHJ-138, CCHJ138S, CCHJ3-138S, CCH2J3-138S)	725.31	871.53
18	C101-167D	Volute Assembly (Incl. 17 Only) (Models: CHJ-138, CH2J3-138, CH2J3-138)	2227.58	2676.66
20	U78-941ZPV	Pipe Plug, 1/4 in. NPT, Hex Head	2.49	2.99
21	U30-22SS	Stud, 3/8 - 16 x 1-1/4 in.	CALL	CALL
22	U36-38ZP	Nut, Hex 3/8 x 16 in. (Models: CCHJ-138, CCHJ138S, CCHJ3-138S, CCH2J3-138S)	CALL	CALL
23	U78-57SSS	Pipe Plug, 1/4 in. NPT	CALL	CALL

Note: Model numbers with a "3" in them indicate a 3-Phase motor. Model numbers with a "2" in them indicate a 200V motor.

Note: C Series with different hydraulic numbers (CCMH-93) are older models that use different parts. Consult factory for older models.

CSPH/CCSPH SERIES™ PUMP REPLACEMENT PARTS



CALIFORNIA PROPOSITION 65 WARNING
⚠ WARNING: Cancer and Reproductive Harm.
⚠ AVERTISSEMENT: Peut Causer le Cancer et des Dommages au Système Reproducteur.
⚠ ADVERTENCIA: Cáncer y Daño Reproductivo.
www.p65warnings.ca.gov

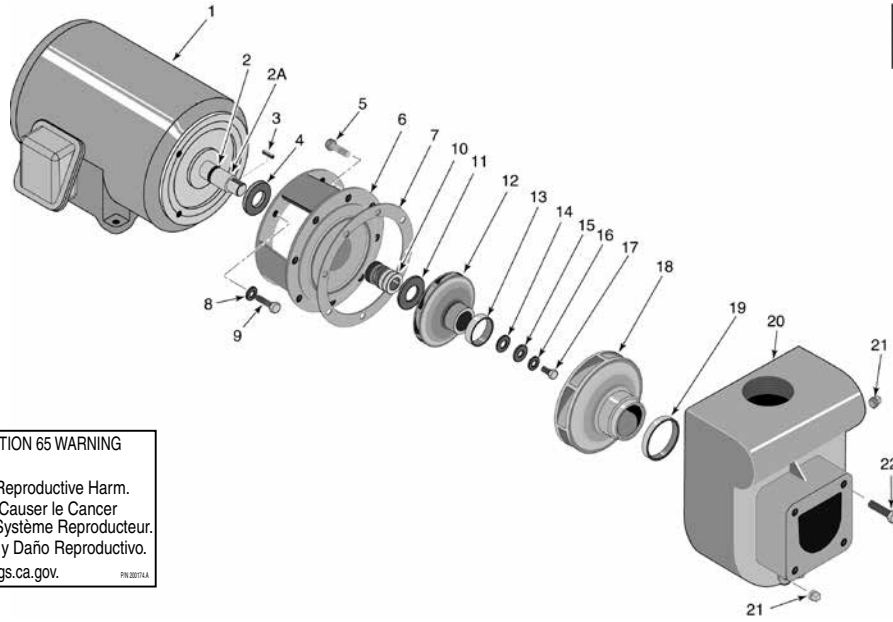
Item	Part No.	Description	US List	Can. List
230 VOLT/1 PHASE OR 230/460 VOLT/3 PHASE				
1	S22351	Motor 230V/1 Ph. - 7-1/2 HP (Models: CSPHK-1421, CCSPHK-1421, CSPHK3-1422, CCSPHK3-1422)	CALL	CALL
1	62500-0101	Motor 230V/1 Ph. - 10 HP (Models: CSPHL-143, CCSPHL-143M, CSPHL3-1431, CCSPHL3-1431)	CALL	CALL
1	S22353	Motor 230V/3 Ph. - 7-1/2 HP (Models: CSPHK-1421, CCSPHK-1421, CSPHK3-1422, CCSPHK3-1422)	CALL	CALL
1	S22356	Motor 230V/3 Ph. - 10 HP (Models: CSPHL-143, CCSPHL-143M, CSPHL3-1431, CCSPHL3-1431)	CALL	CALL
1	S22357	Motor 230V/3 Ph. - 15 HP (Models: CSPHM3-1441, CCSPHM3-1441)	CALL	CALL
1	S28574	Motor 230V/3 Ph. - 20 HP (Models: CSPHN3-1451, CCSPHN3-1451)	CALL	CALL
1	16830-0320	Motor 230V/3 Ph. 7-1/2 HP (Models: CSPH2K3-142, CCSPH2K3-142)	CALL	CALL
1	16831-0320	Motor 200V/3 Ph. - 10 HP (Models: CSPH2L3-143, CCSPH2L3-143)	CALL	CALL
1	16832-0320	Motor 200V/3 Ph. - 15 HP (Models: CSPH2M3-144, CCSPH2M3-144)	CALL	CALL
1	16833-0320	Motor 200V/3 Ph. - 20 HP (Models: CSPH2N3-145, CCSPH2N3-145)	CALL	CALL
2	S23488	Nut, 1/2 in.	6.76	8.12
3	U43-13SS	Lockwasher, 1/2 in.	CALL	CALL
3	U43-12SS	Lockwasher, 3/8 in. ²	4.14	4.97
4	L05329	Bracket - 7-1/2 HP (3 Ph. Models)	469.69	564.38
4	L05328	Bracket - 10 HP (CSPH, CSPH2 Models) - 15 HP (CSPH, CSPH2 Models) - 7-1/2 (CSPH, CSPH2 Models)	483.66	581.17
4	L05779	Bracket - 20 HP (CSPH, CSPH2 Models)	867.26	1042.10
4	16830-2201	Bracket - 7-1/2 HP (3 Ph. Models)	2055.74	2470.18
4	16830-2203	Bracket - 10 HP (CCSPH, CCSPH2 Models) - 15 HP (CCSPH, CCSPH2 Models) - 7-1/2 HP (CCSPH, CCSPH2 Models)	2208.33	2653.53
4	16830-2202	Bracket - 20 HP (CCSPH, CCSPH2 Models)	1610.28	1934.91
5	30747-0152	Stud, 1/2-13 x 1-1/2 in.	45.35	54.49
6	S32014	Mechanical Shaft Seal	229.47	275.73
6	S32015	Mechanical Shaft Seal - 20 HP	494.78	594.53
7	S11207	Retaining Ring	30.31	36.42

Item	Part No.	Description	US List	Can. List
7	S16767	Retaining Ring - 20 HP (Models: CSPHN3-1451, CCSPHN3-1451)	67.38	80.96
8	37447-0001L	Shaft Sleeve	CALL	CALL
8	37447-0002L	Shaft Sleeve - 20 HP	CALL	CALL
9	S04757	Gasket (Volute to Bracket)	23.59	28.35
10	33455-8044	Gasket (Impeller to Shaft Sleeve)	11.24	13.51
10	33455-8046	Gasket (Impeller to Shaft Sleeve) - 20 HP	11.24	13.51
11	16830-0209	Impeller - 7-1/2 HP	2268.99	2726.42
11	16830-0210	Impeller - 10 HP	2045.78	2458.21
11	16830-0211	Impeller - 15 HP	2337.80	2809.10
11	16830-0212	Impeller - 20 HP	2807.63	3373.65
12	33455-8043	Gasket (Impeller to Washer)	11.24	13.51
12	33455-8045	Gasket (Impeller to Washer) - 20 HP	11.24	13.51
13	38917-0203	Impeller Washer	103.35	124.19
13	38917-0204	Impeller Washer - 20 HP (Models: CSPHN3-1451, CCSPHN3-1451)	124.03	149.03
14	C43-46SS	Stat-O-Seal Washer	26.07	31.33
14	C43-46SSA	Stat-O-Seal Washer - 20 HP (Models: CSPHN3-1451, CCSPHN3-1451)	33.19	39.88
15	S23566	Capscrew, 3/8-16 x 1 in. ¹	CALL	CALL
15	S23619	Capscrew, 1/2-13 x 1 in. ²	10.80	12.98
16	U78-57DT	Pipe Plug 1/4 in. NPT	CALL	CALL
17	16830-0400	Hardware Kit	117.95	141.73
18	33450-8042	Gasket (Volute Discharge)	27.51	33.06
19	33450-8041	Gasket (Volute Suction)	38.65	46.44
20	16830-0100	Volute (CSPH, CSPH2)	5525.12	6638.98
20	16830-2102	Volute (CCSPH) - 7-1/2 HP, 10 HP	10047.34	12072.88
20	16830-2103	Volute (CCSPH) - 15 HP, 20 HP ¹	10115.02	12154.21
20	16830-0100	Volute (CSPH2, CSPH2)	5525.12	6638.98
20	16830-2102	Volute (CCSPH2) - 7-1/2 HP, 10 HP	10047.34	12072.88
21	U78-59D	Drain Plug, 1/2 in. NPT	15.14	18.19
22	16830-0120	Wear Ring	174.52	209.70
23A	S23619	Capscrew, 1/2-13 x 1 in. ¹	10.80	12.98
23B	S23566	Capscrew, 3/8-16 x 1 in. ²	CALL	CALL
24	U43-13SS	Lockwasher, 1/2 in.	CALL	CALL

¹ 7-1/2 HP; 1 Phase only.

² 3 Phase only.

D SERIES™ PUMP REPLACEMENT PARTS



CALIFORNIA PROPOSITION 65 WARNING
 ⚠️ **WARNING:** Cancer and Reproductive Harm.
 ⚠️ **AVERTISSEMENT:** Peut Causer le Cancer et des Dommages au Système Reproducteur.
 ⚠️ **ADVERTENCIA:** Cáncer y Daño Reproductivo.
 www.p65warnings.ca.gov. P8 201714

Item	Part No.	Description	US List	Can. List
SELF PRIMING CENTRIFUGAL PUMP - D SERIES				
1	C218-177	Motor 230V/60H/1 Ph. DMH Medium Head: 3 HP, High Head: 3 HP	CALL	CALL
1	C218-180	Motor 230V/60H/1 Ph. DMJ Medium Head: 5 HP, High Head: 5 HP	CALL	CALL
1	C218-179	Motor 230/460V/60H/3 Ph. DMH Medium Head: 3 HP, High Head: 3 HP	CALL	CALL
1	C218-182	Motor 230/460V/60H/3 Ph. DMJ Medium Head: 5 HP, High Head: 5 HP	CALL	CALL
1	C218-191	Motor 200V/60H/1 Ph. DMH Medium Head: 3 HP, High Head: 3 HP	CALL	CALL
1	C218-192	Motor 200V/60H/1 Ph. DMJ Medium Head: 5 HP, High Head: 5 HP	CALL	CALL
1	C218-178	Motor 200V/60H/3 Ph. DMH Medium Head: 3 HP, High Head: 3 HP	CALL	CALL
1	C218-181	Motor 200V/60H/3 Ph. DMJ Medium Head: 5 HP, High Head: 5 HP	CALL	CALL
2	U9-265	O-Ring	3.93	4.72
2A	C23-58	Sleeve	195.20	234.55
3	U65-42A	Key, Square 3/16 x 3/16 x 7/8 in.	19.38	23.29
4	N/A		CALL	CALL
5	071681	Screw 3/8 x 16 x 7/8 in. HH	CALL	CALL
6	C2-66	Motor Adapter	466.48	560.52
7	C20-46	Gasket, Adapter	12.90	15.50
8	U43-12ZP	Lockwasher, 3/8 in. ¹	CALL	CALL
9	U30-73ZP	Capscrew, 3/8-16 x 7/8 in.	CALL	CALL
10	U109-433SS	Shaft Seal ³	206.28	247.87
11	C20-101	Gasket, Seal	5.03	6.04
12	C5-246	Impeller ² - Medium Head: 3 HP	1227.27	1474.69

Item	Part No.	Description	US List	Can. List
12	C5-247	Impeller ² - Medium Head: 5 HP	1215.77	1460.87
12	C5-248	Impeller ² - High Head: 3 HP	1207.57	1451.02
12	C5-249	Impeller ² - High Head: 5 HP	1140.14	1369.99
13	J23-5	Wear Ring (Only)	46.13	55.43
13	C23-14	Wear Ring (Only) - Medium Head: 5 HP	55.55	66.75
14	C20-100	Gasket	5.03	6.04
15	C43-45SS	Washer, Impeller	9.67	11.62
16	C43-46	Gasket	8.60	10.33
17	U30-72SS	Screw, Impeller 3/8-16 x 3/4 in. ¹	6.56	7.88
18	C101-126	Volute Diffuser w/ Wear Ring Medium Head: 3 HP	CALL	CALL
18	C101-126B	Volute Diffuser w/ Wear Ring Medium Head: 5 HP	291.50	350.27
18	C101-132	Volute Diffuser w/ Wear Ring High Head: 3 HP, High Head: 5 HP	291.50	350.27
19	C21-2	Diffuser Ring	8.93	10.73
20	C76-12	Pump Body Medium Head: 3 HP, High Head: 5 HP	1243.39	1494.06
20	C76-12C	Pump Body - Medium Head: 5 HP	1342.68	1613.36
20	C76-12B	Pump Body - High Head: 3 HP	1235.49	1484.56
21	U78-941ZPv	Pipe Plug, 1/4 in. NPT ¹	2.49	2.99
22	U30-60ZP	Capscrew 5/16-18 x 3/4 in.	CALL	CALL
NOT SHOWN				
	U212-68T	Draincock, 1/4 in. NPT [*]	9.07	10.90

¹ Purchase locally.

² Change effective 6/97.

³ Replaces U109-220 (effective 8/00).

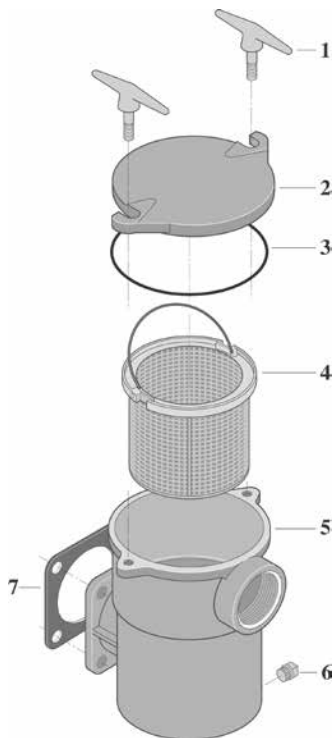
Note: D Series with different numbers (i.e. DMH-64) use different parts. Consult factory for older models.

CAST IRON SUCTION TRAP ASSEMBLY

REPLACEMENT PARTS



PACKAGE
No. 51
No. 98
No. 74



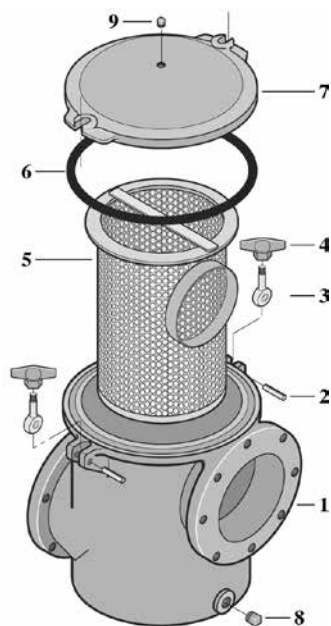
CALIFORNIA PROPOSITION 65 WARNING

⚠ **WARNING:** Cancer and Reproductive Harm.
 ⚠ **AVERTISSEMENT:** Peut Causer le Cancer et des Dommages au Système Reproducteur.
 ⚠ **ADVERTENCIA:** Cáncer y Daño Reproductivo.
www.p65warnings.ca.gov

Item	Part No.	Description	US List	Can. List
PKG. 51 6-IN. TRAP REPLACEMENT PARTS				
1	C154-18D	Handle Assembly ¹	53.77	64.61
2	C3-30	Cover	122.61	147.33
3	U9-46	Cord Ring	19.08	22.93
4	C108-11P	Strainer Basket	51.05	61.34
5	C53-5B	Trap Body	402.83	484.04
6	U78-57DT	Pipe Plug, 1/4 in. NPT	CALL	CALL
7	C20-19	Gasket	4.53	5.44
PKG. 98 8-IN. TRAP REPLACEMENT PARTS				
1	C154-18D	Handle Assembly ¹	53.77	64.61
2	C3-105	Cover	300.56	361.15
3	U9-171	Cord Ring	25.55	30.70
4	16401-0030	Strainer Basket	638.71	767.47
5	C53-21	Trap Body	1149.19	1380.87
6	U78-57DT	Pipe Plug, 1/4 in. NPT	CALL	CALL
7	C20-19	Gasket	4.53	5.44
PKG. 74 11-IN. TRAP REPLACEMENT PARTS				
1	C154-18D	Handle Assembly ¹	53.77	64.61
2	C3-76	Cover	CALL	CALL
3	U9-105	Cord Ring	CALL	CALL
4	C108-25SS	Strainer Basket	CALL	CALL
5	-	Trap Body		
6	U78-57DT	Pipe Plug, 1/4 in. NPT	CALL	CALL
7	C20-19	Gasket	4.53	5.44

¹ 6 in. - Pkg. 51 has 2 each; 8 in. - Pkg. 98 has 4 each; 11 in. - Pkg. 74 has 4 each.

PACKAGE
No. 184
No. 184C
No. 184E
No. 184CE



Item	Part No.	Description	US List	Can. List
STANDARD FLANGE REPLACEMENT PARTS				
1	16401-0010	Strainer Body (Pkg. 184, 184E)	5270.11	6332.56
1	16401-2015	Strainer Body (Pkg. 184C, 184CE) ¹	CALL	CALL
2	35857-0031	Spring Pin	27.51	33.06
3	30767-0011	Toggle Bolt	454.28	545.86
4	35404-0319	Wing Nut	114.71	137.84
5	16401-0102	Strainer Basket	2087.75	2508.64
6	3642220457	O-Ring	CALL	CALL
7	16401-0210	Strainer Cover (Pkg. 184, 184E)	1133.40	1361.89
7	16401-2215	Strainer Cover (Pkg. 184C, 184CE) ¹	2440.71	2932.76
8	U78-59D	Pipe Plug, 1/2 in. Square Head Brass	15.14	18.19
NOT SHOWN				
	33450-8041	Gasket, 6 in. Pipe Flange	38.65	46.44
	16830-0401	Hardware Kit (includes 16 each 3/4 in. lockwashers, 3/4-10 x 2 in. Capscrews)	343.04	412.20
	61002-0012	Tag, Hazardous Suction	CALL	CALL

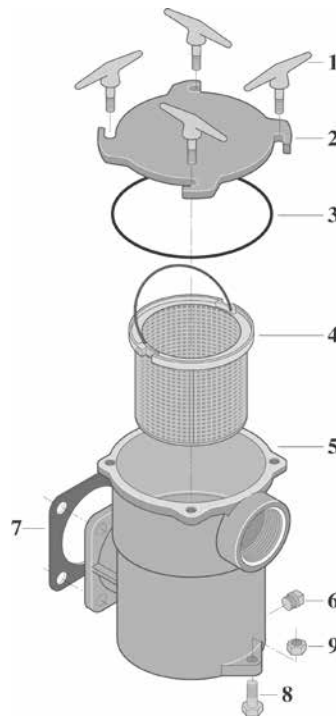
¹ Epoxy coated.

BRONZE SUCTION TRAP ASSEMBLY

REPLACEMENT PARTS



**PACKAGE
No. 56
No. 99**

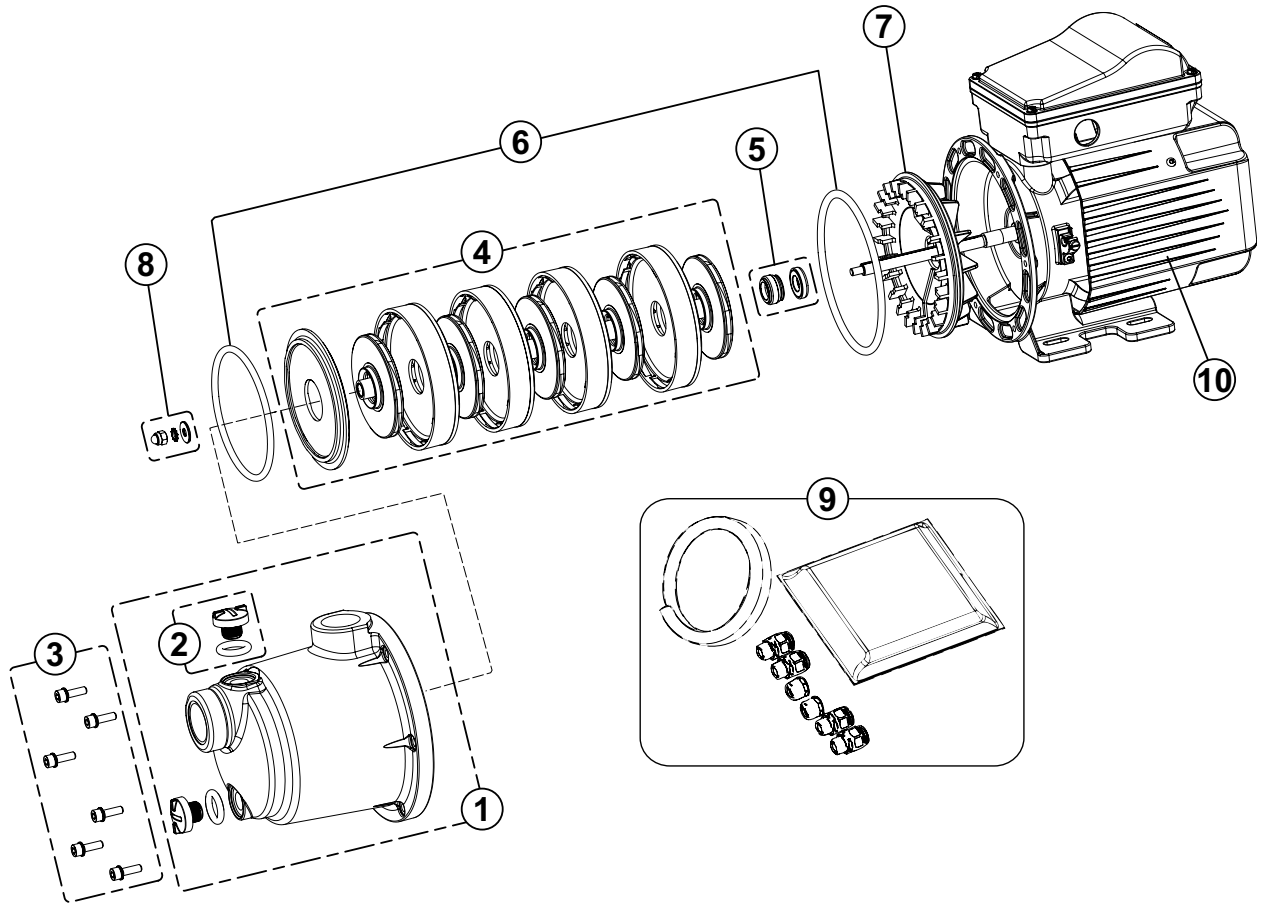


Item	Part No.	Description	US List	Can. List
BRONZE TRAP REPLACEMENT PARTS				
1	C154-18D	Lock Handle Assembly	53.77	64.61
2	C3-78D	Cover (Pkg. 56)	344.69	414.18
2	C3-105D	Cover (Pkg. 99)	953.81	1146.10
3	U9-46	O-Ring (Pkg. 56)	19.08	22.93
3	U9-171	O-Ring (Pkg. 99)	25.55	30.70
4	C108-11P	Strainer Basket (Pkg. 56)	51.05	61.34
4	16401-0030	Strainer Basket (Pkg. 99)	638.71	767.47
5	C53-5D	Suction Trap Body (Pkg. 56)	CALL	CALL
5	C53-21D	Suction Trap Body (Pkg. 99)	CALL	CALL
6	U78-57DT	Pipe Plug, 1/4 in. NPT	CALL	CALL
7	C20-19	Gasket, Flange	4.53	5.44
8	U30-77SS	Capscrew, 3/8-16 x 1-3/4 in.	8.45	10.15
9	U36-38ZP	Nut, Hex 3/8-16	CALL	CALL

CALIFORNIA PROPOSITION 65 WARNING
 ⚠️ **WARNING:** Cancer and Reproductive Harm.
 ⚠️ **AVERTISSEMENT:** Peut Causer le Cancer et des Dommages au Système Reproducteur.
 ⚠️ **ADVERTENCIA:** Cáncer y Daño Reproductivo.
www.p65warnings.ca.gov PK12017A-0

HYDROBOOST™ BOOSTER PUMP

REPLACEMENT PARTS



Item	Part No.	Qty.	Description	US List	Can. List
BOOSTER PUMP					
1	ZBR39320	1	PUMP BODY W/ DRAIN PLUGS	92.83	111.54
2	ZBR12160	1	DRAIN PLUGS W/ O-RING KIT*	31.32	37.63
3	ZBR12170	1	BODY PUMP FASTENERS KIT	26.51	31.86
4	ZBR39330	1	HYDRAULIC KIT	198.46	238.47
5	ZBR43920	1	MECHANICAL SEAL KIT	45.51	54.68
6	ZBR12200	1	O-RING KIT	30.03	36.08
7	ZBR12210	1	SEAL PLATE KIT	46.68	56.09
8	ZBR12270	1	END SHAFT FASTENERS KIT	29.24	35.14
9	353020	1	HOSE ADAPTER KIT**	74.86	89.95
10	360519Z	1	MOTOR	927.00	1113.88
—	357843	1	FAN SHROUD	CALL	CALL

*INCLUDES (2) DRAIN PLUGS AND (2) O-RINGS; HOUSING NOT INCLUDED.

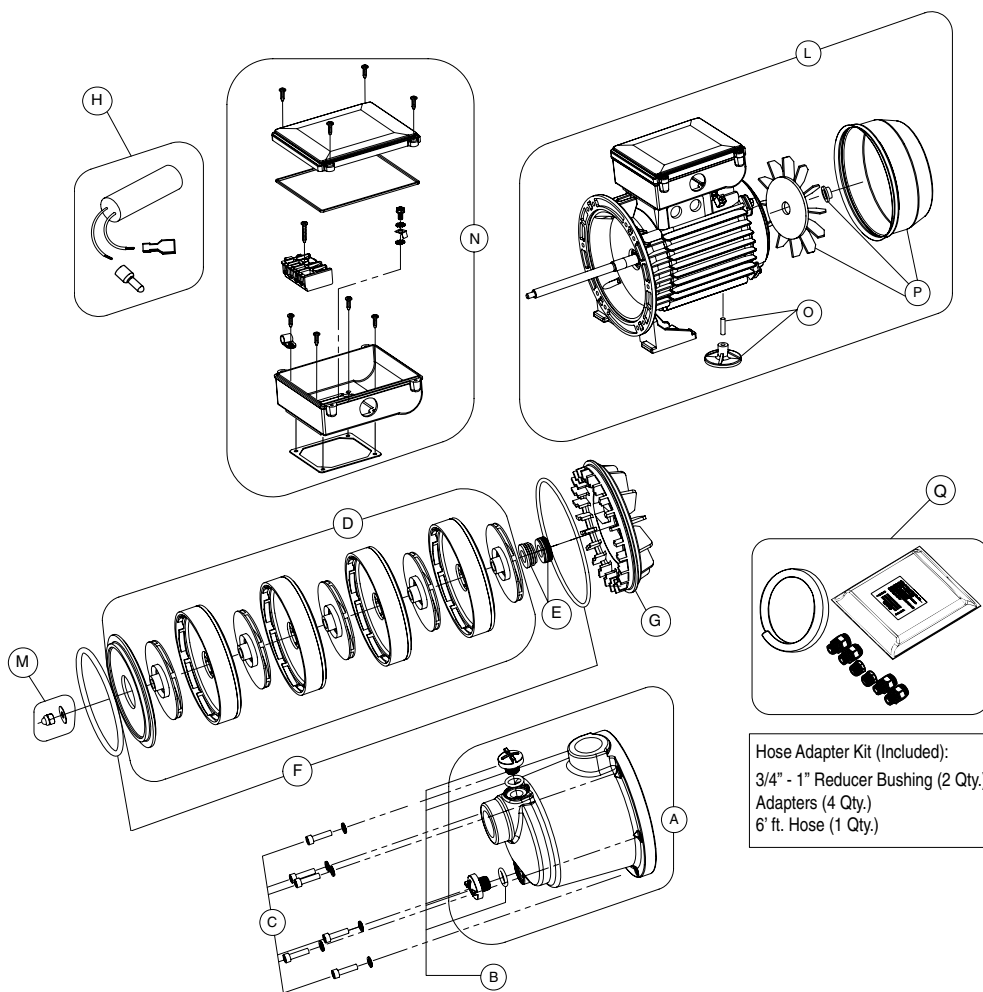
**INCLUDES (2) REDUCER BUSHINGS, (4) ADAPTERS AND 6 FT. (1.8 M) HOSE.

CALIFORNIA PROPOSITION 65 WARNING
 ⚠️ **WARNING:** Cancer and Reproductive Harm.
 ⚠️ **AVERTISSEMENT:** Peut Causer le Cancer et des Dommages au Système Reproducteur.
 ⚠️ **ADVERTENCIA:** Cáncer y Daño Reproductivo.
www.p65warnings.ca.gov P/N 201714

Product on page 274.

BOOST-RITE® BOOSTER PUMP

REPLACEMENT PARTS

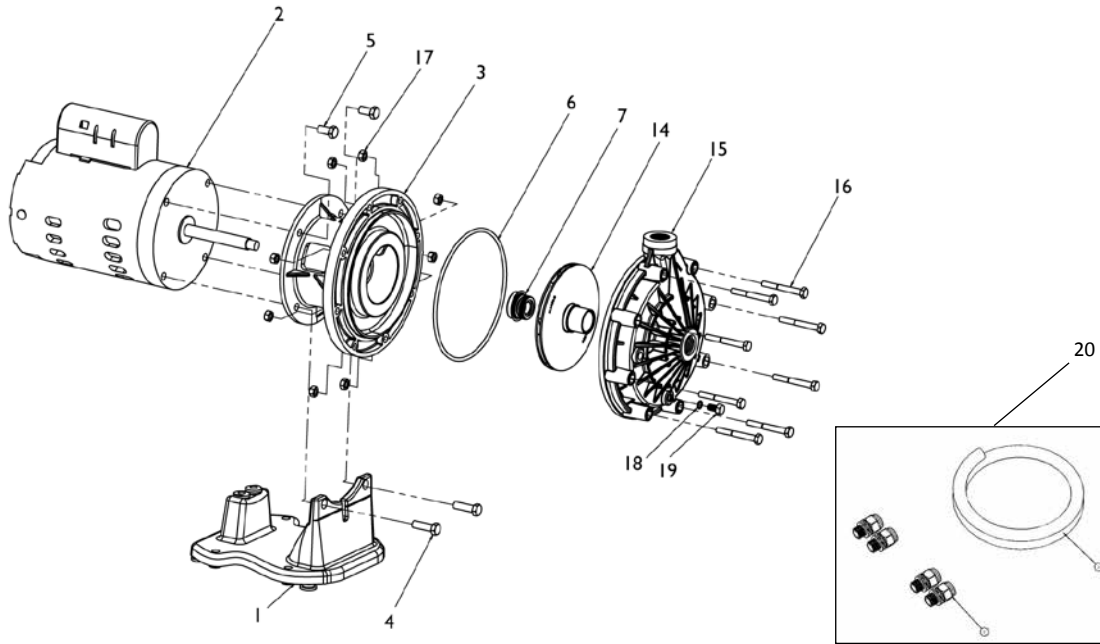


Hose Adapter Kit (Included):
 3/4" - 1" Reducer Bushing (2 Qty.)
 Adapters (4 Qty.)
 6' ft. Hose (1 Qty.)

Item	Part No.	Qty.	Description	US List	Can. List
BOOSTER PUMP					
A	ZBR39320	1	Pump Body Kit w/Drain Plugs	92.83	111.54
B	ZBR12160	2	Drain Plugs with O-Ring Kit - includes (2) drain plugs and (2) O-Rings	31.32	37.63
C	ZBR12170	1	Body Pump Fasteners Kit	26.51	31.86
D	ZBR39330	1	Hydraulic Kit	198.46	238.47
E	ZBR43920	1	Mechanical Seal Kit	45.51	54.68
F	ZBR12200	1	O-Ring Kit	30.03	36.08
G	ZBR12210	1	Seal Plate Kit	46.68	56.09
H	ZBR39340	1	Capacitor Kit	CALL	CALL
L	ZBR39360	1	Complete Motor Assembly	CALL	CALL
M	ZBR12270	1	End Shaft Fasteners Kit	29.24	35.14
N	ZBR39350	1	Capacitor Box Complete Kit	CALL	CALL
O	ZBR26910	1	Base Kit	CALL	CALL
P	ZBR43810	1	Fan Kit	CALL	CALL
Q	353040	1	Hose Kit	99.02	118.98

CALIFORNIA PROPOSITION 65 WARNING
 ⚠️ **WARNING:** Cancer and Reproductive Harm.
 ⚠️ **AVERTISSEMENT:** Peut Causer le Cancer et des Dommages au Système Reproducteur.
 ⚠️ **ADVERTENCIA:** Cáncer y Daño Reproductivo.
www.p65warnings.ca.gov

BOOSTER PUMP REPLACEMENT PARTS



Item	Part No.	Qty.	Description	US List	Can. List
BOOSTER PUMP					
1	LA41	1	Pump stand 99, complete with rubber grommets	51.76	62.19
2	357824S	1	Motor, 230/115 V, 1 ph, 60 hz, 6.5/13 A	CALL	CALL
3	LA295 *	1	Seal bracket	215.35	258.76
4	LA136	2-PK	Bolt 3/8-16 x 1-1/4 in., 2 req.	CALL	CALL
5	LA135	2-PK	Bolt 3/8-16 x 3/4 in., 2 req.	CALL	CALL
6	LA415 *	1	O-ring for seal bracket	5.85	7.03
7	071734S	1	Seal (PS1000) - Set includes both cap and bellows	46.83	56.27
14	LA05L *	1	Impeller (new style)	66.75	80.21
14	LA02L	1	Impeller (old style)	62.70	75.34
15	LA39534 *	1	Volute	85.25	102.44
16	LA115	2-PK	Bolt	5.44	6.54
17	LA125	2-PK	Nut	5.23	6.28
18	LA375 *	1	O-ring for drain plug	1.65	1.98
19	EB20 *	2-PK	Drain plug	4.86	5.84
20	353020	1	Hose kit: 4 plastic fittings and 1-6 ft. white hose. (built after 2005)	74.86	89.95
NOT SHOWN					
	LD10	2-PK	Hose washer (built prior to 2005), steel with black hose	2.25	2.70
	370239	1	Adapter Kit - 4 hose adapters in a bag; no hose	48.62	58.42

* Recommended for stock.

Note: Pumps and replacement motors that are single speed and one (1) Total HP or greater cannot be sold, offered for sale, or installed in a residential pool for filtration use in California, Title 20 CCR sections 1601-1609.

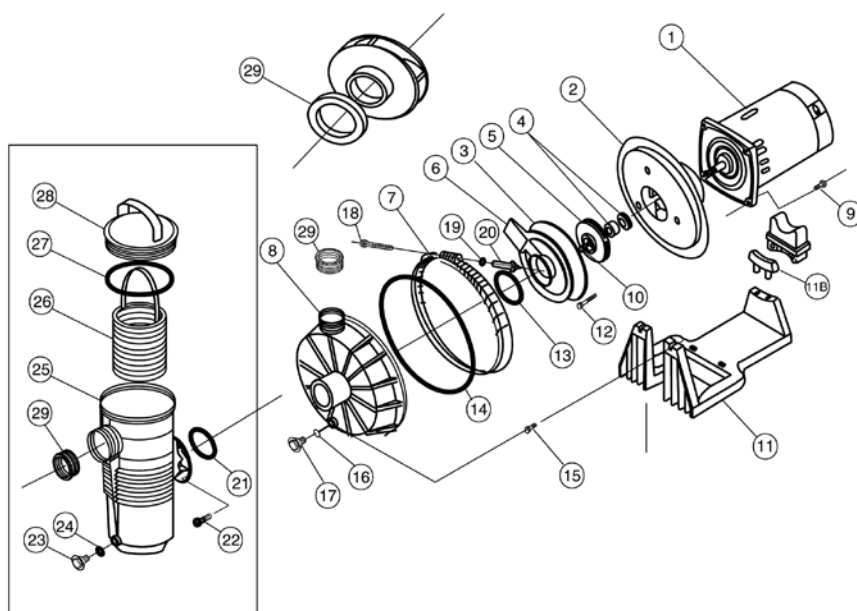
CALIFORNIA PROPOSITION 65 WARNING

⚠️ **WARNING:** Cancer and Reproductive Harm.
 ⚠️ **AVERTISSEMENT:** Peut Causer le Cancer et des Dommages au Système Reproducteur.
 ⚠️ **ADVERTENCIA:** Cáncer y Daño Reproductivo.

www.p65warnings.ca.gov

WATERFALL SPECIALTY PUMP

REPLACEMENT PARTS



Item	Part No.	Description	US List	Can. List
WATERFALL PUMPS				
1	355222S	Motor, AF-180, AFP-150 & 180, 35 lbs.	CALL	CALL
2	355004Z	Plate, seal	CALL	CALL
3	355317	Plate, mounting AF-75, AFP-75	23.02	27.66
3	355495	Plate, mounting AF-120 & 180, AFP-120, 150 & 180	21.27	25.56
4	354545S	Seal, 5/8 in. mechanical, PS 200	44.23	53.15
5	355544	Impeller AF-75, AFP-75	114.13	137.14
5	355068	Impeller AF-120, AFP-120	85.78	103.07
5	355221	Impeller AF-180, AFP-150 & 180	83.38	100.19
6	355545Z	Diffuser AF-75, AFP-75	CALL	CALL
6	355069	Diffuser AF-120, AFP-120	57.77	69.42
6	355140	Diffuser AF-180, AFP-150 & 180	77.89	93.59
7	355320	Band, clamp assembly complete	133.90	160.89
8	355302	Housing, front	317.09	381.02
9	U30-74SS	Screw, 3/8 in.-16 SS hex hd., 4 req.	6.76	8.12
10	355389Z	Screw, impeller locking	CALL	CALL
11	355305	Base, pump ¹	76.45	91.86
11B	355385	Adapter, 5-5/8 in. dia. motor ²	19.53	23.47
12	355334Z	Screw, No. 8-32 x 1 in. AF-75 & 120, AFP-75 & 120, 3 req.	4.86	5.84
12	355141	Screw, No. 8-32 x 1-1/2 in. AF-180, AFP-150 & 180	10.83	13.01
13	355331Z	O-ring, diffuser	4.86	5.84
14	355329Z	O-ring, front housing	25.95	31.18
15	355335	Screw, 5/16, 18 x 1/2 in. SS hex wsh. hd., (AF models only)	2.38	2.86
16	192115Z	O-ring, drain plug	3.90	4.69
17	154699	Plug, 1/2 in. drain	CALL	CALL
20	175025	Knob (fits clamp w/ captured T-bolt only)	54.34	65.29
21	355330Z	O-ring, strainer pot flange	CALL	CALL

Item	Part No.	Description	US List	Can. List
22	354265	Screw, 5/16 in., 18 hex wsh. hd., 4 req.	3.31	3.98
23	357161Z	Plug, 1/4 in. drain	7.80	9.37
24	192115Z	O-ring, drain plug	3.90	4.69
25	355300Z	Strainer pot AFP-75, AFP-120 & 150	CALL	CALL
26	355318Z	Basket, plastic strainer AFP-75 & 120	63.40	76.18
26	355441	Basket, SS strainer AFP-150	292.08	350.96
26	355901	Basket, SS strainer AFP-180	633.13	760.77
27	350013Z	O-ring, lid AFP-75, AFP-120 & 150	5.83	7.01
27	152509Z	Seal, lid AFP-180	11.33	13.61
28	355301Z	Lid, strainer pot AFP-75, AFP-120 & 150	CALL	CALL
28	355902	Lid, strainer pot AFP-180	CALL	CALL
29	355142	Bushing, impeller nose AF-180, AFP-150 & 180	106.42	127.87
NOT SHOWN				
	355914	Lid strainer pot AFP-75, AFP-120 & 150 Chemical resistant black lid	CALL	CALL
	154527Z	Wrench, 8-1/2 in., strainer pot AFP-180	CALL	CALL

¹ Pump base (item 11) includes dual radius motor support.

² Item 11A, motor support is a replacement part that fits only older style pump bases with rectangular opening.

Note: Pumps and replacement motors that are single speed and one (1) Total HP or greater cannot be sold, offered for sale, or installed in a residential pool for filtration use in California, Title 20 CCR sections 1601-1609.

CALIFORNIA PROPOSITION 65 WARNING

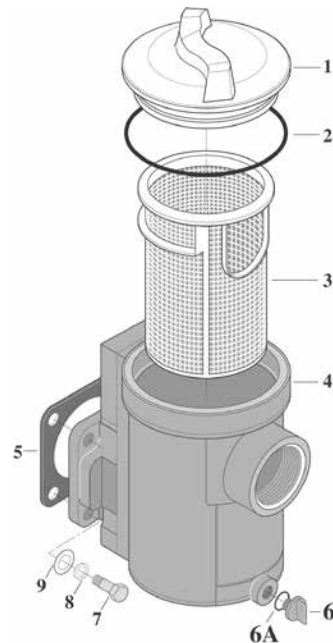
▲ **WARNING:** Cancer and Reproductive Harm.
▲ **AVERTISSEMENT:** Peut Causer le Cancer et des Dommages au Système Reproducteur.
▲ **ADVERTENCIA:** Cáncer y Daño Reproductivo.
www.p65warnings.ca.gov

PLASTIC SUCTION TRAP ASSEMBLY

PACKAGE NO 161 - 6 IN. REPLACEMENT PARTS

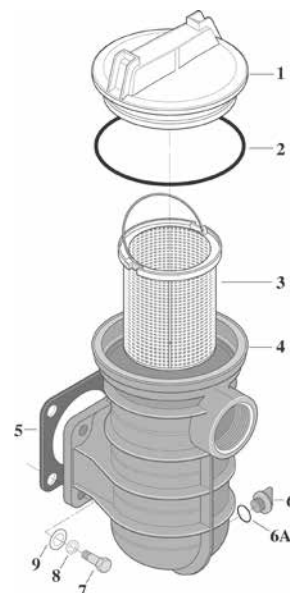


Item	Part No.	Description	US List	Can. List
PKG. 181 6-IN. TRAP REPLACEMENT PARTS				
1	16920-0011	Lid	106.91	128.46
2	16920-0012	O-Ring	31.39	37.72
3	16920-0017	Strainer Basket	45.35	54.49
4	C253-58P	Trap and Adapter Assembly	454.28	545.86
5	C20-123Z	Gasket	13.86	16.65
6	U178-920PZ	Drain Plug, 1/4 in. NPT	7.80	9.37
6A	U9-359Z	O-Ring	CALL	CALL
7	U30-64SS	Capscrew, 5/16-18 x 1-1/4 in.	6.06	7.28
8	U43-11SS	Lockwasher, 5/16 in.	3.46	4.16
9	U43-41SSZ	Washer, 5/16 in. Flat	3.93	4.72
NOT SHOWN				
	U9-285	Adapter O-Ring	6.74	8.10



PACKAGE NO 115 - 5 IN. REPLACEMENT PARTS

Item	Part No.	Description	US List	Can. List
PKG. 115 5-IN. TRAP REPLACEMENT PARTS				
1	C3-139P1Z	Cover	CALL	CALL
2	U9-229Z	O-Ring, Cover	20.79	24.98
3	C108-33PZ	Strainer Basket *	19.71	23.68
4	C153-53P1	Trap Body	166.65	200.25
5	C20-123Z	Gasket	13.86	16.65
6	U178-920PZ	Pipe Plug, 1/4 in. NPT	7.80	9.37
6A	U9-359Z	O-Ring	CALL	CALL
7	U30-64SS	Capscrew, 5/16 - 18 x 1-1/4 in.	6.06	7.28
8	U43-11SS	Lockwasher	3.46	4.16
9	U43-41SSZ	Washer, Flat	3.93	4.72
NOT SHOWN				
	PKG 115	Complete Suction Trap Assembly	222.25	267.06



CALIFORNIA PROPOSITION 65 WARNING

⚠ **WARNING:** Cancer and Reproductive Harm.
 ⚠ **AVERTISSEMENT:** Peut Causer le Cancer et des Dommages au Système Reproducteur.
 ⚠ **ADVERTENCIA:** Cáncer y Daño Reproductivo.
www.p65warnings.ca.gov

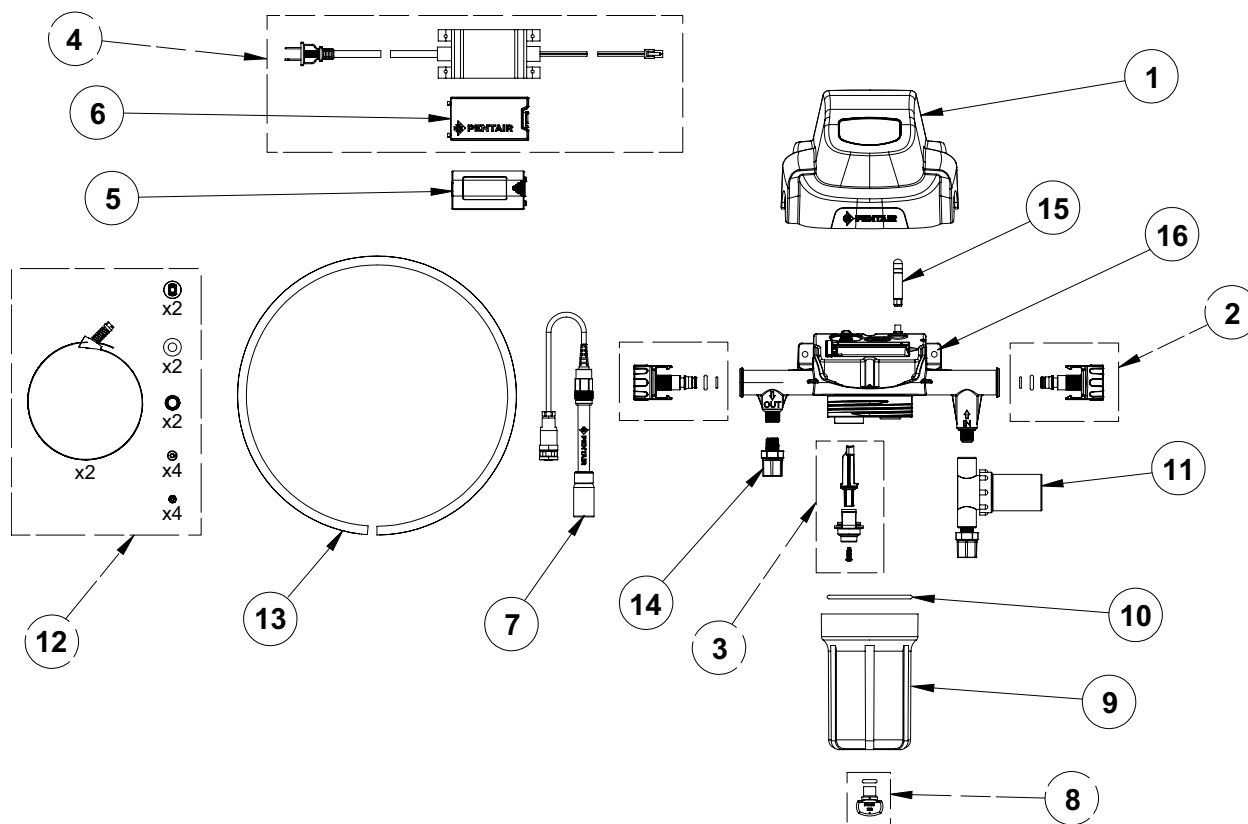


SANITIZER[‡] & WATER QUALITY PARTS

Product Catalog 2024

Sanitizer[‡] and Water Quality Parts

CHEMCHECK™ REPLACEMENT PARTS



Item	Part No.	Description	US List	Can. List
CHEMCHECK REPLACEMENT PARTS				
1	523527	Top Cover	125.40	150.68
2	523539	Flow Valves (inlet AND outlet)	53.76	64.60
3	523540	Flow Switch	46.58	55.97
4	523526	Power Supply (includes Item 6)	CALL	CALL
5	523387Z	Battery Pack	125.40	150.68
6	523396Z	Battery Cover	28.66	34.44
7	523399Z	Electrode	214.99	258.33
8	523522	Drain Plug Assembly	CALL	CALL
9	523506Z	Reservoir	89.56	107.62
10	523516Z	Reservoir O-ring	CALL	CALL

Item	Part No.	Description	US List	Can. List
CHEMCHECK REPLACEMENT PARTS				
11	523441Z	In-line Filter	57.32	68.88
12	523440Z	Install Hardware Kit	42.99	51.66
13	521814	Tubing, 20 ft.	CALL	CALL
14	606000100Z	Tube Fitting	7.09	8.52
15	523385Z	Antenna	53.76	64.60
16	523541	Base Assembly (includes Items 2, 3 and 14)	250.81	301.37

Product on page 285.

†“Sanitizer” is an industry term of art and is not intended to imply any antimicrobial capabilities.

INTELLICHEM® CHEMICAL CONTROLLER REPLACEMENT PARTS

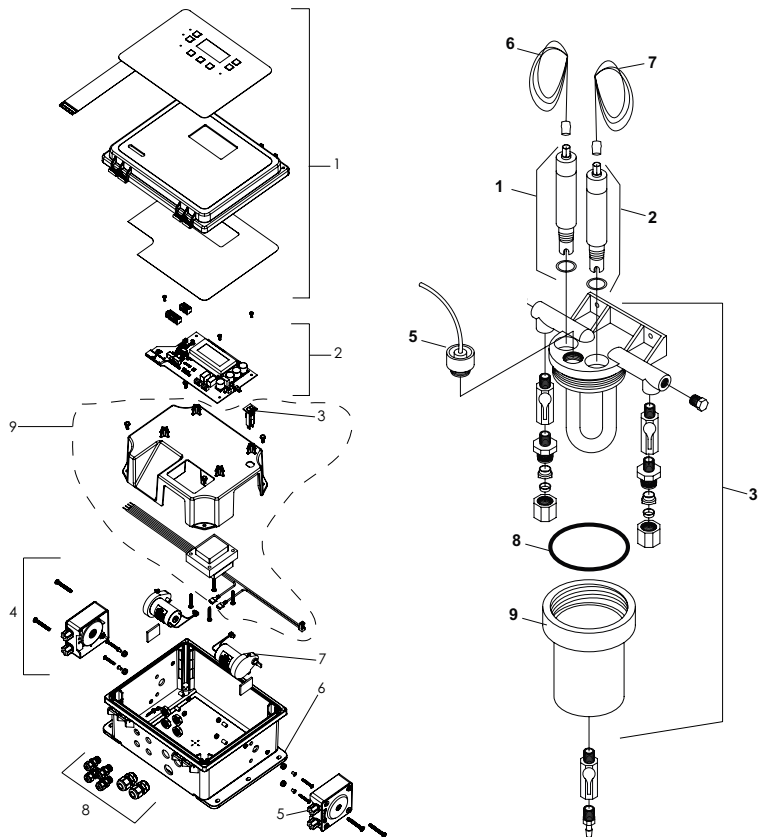
Item	Part No.	Description	US List	Can. List
INTELLICHEM CONTROLLER REPLACEMENT PARTS				
1	521465Z	Top Half (Lid with overlay and wiring diagram)	492.22	591.45
2	521319Z	Controller PCBA	1063.64	1278.07
3	8520031Z	Circuit Breaker	69.43	83.43
4	521348Z	SHURflo Pumphead (prior to 2012)	CALL	CALL
5	521466Z	Jaco® Fitting for SHURflo Pumphead	59.62	71.64
6	521467Z	Controller Mounting Brackets	74.50	89.52
7	521338Z	Motor for SHURflo Pumphead (prior to 2012)	CALL	CALL
8	521468Z	Strain Relief Kit	117.60	141.31
9	521335Z	Transformer with Mounting Plate	343.07	412.23
INTELLICHEM FLOW CELL REPLACEMENT PARTS				
1	522186	pH Sensor (1-year warranty)	227.52	273.39
2	522187	ORP Sensor (1-year warranty)	320.43	385.03
3	754000310	Flow Cell with Flow Switch	CALL	CALL
	521342Z	Parts Bag	422.24	507.36
5	754000440	Flow Switch with Magnet	CALL	CALL
	754000410	Magnet for Flow Switch	26.53	31.88
6	744000290	Cable for pH Sensor, 3 ft.	CALL	CALL
7	744000360	Cable for ORP Sensor 3 ft.	CALL	CALL
8	754000350	O-Ring for Flow Jar	CALL	CALL
9	754000340	Jar for Flow Cell	CALL	CALL

Item	Part No.	Description	US List	Can. List
OPTIONAL ACCESSORIES				
	521814	3/8" Black Tubing, 20 Ft.	CALL	CALL
	744000280	Cable, pH Sensor, 10 Ft.	CALL	CALL
	744000350	Cable, ORP Sensor, 10 Ft.	CALL	CALL
	755000350	3/8" Black Tubing 100 ft.	CALL	CALL
	522010Z	Inline Filter	34.59	41.56
	606000100Z	Fitting 3/8" Tube x 1/4" NPT	7.09	8.52
	62000040Z	Plug 1/4" NPT	3.07	3.69
	620000130Z	Nipple 1/4" NPT	3.07	3.69
	622000080Z	Ball Valve 1/4" NPT	39.95	48.00
	R172032Z	Fitting 3/8" Tube to Bypass Clamp	9.07	10.90
	R172033Z	Rubber Gasket for Bypass Clamp	3.90	4.69
	R172036Z	O-Ring Lubricant	14.99	18.01
	522347Z	Bypass Clamp (replaces R172034)	45.42	54.58

*Pentair recommends replacing peristaltic pump tubes every 6 months

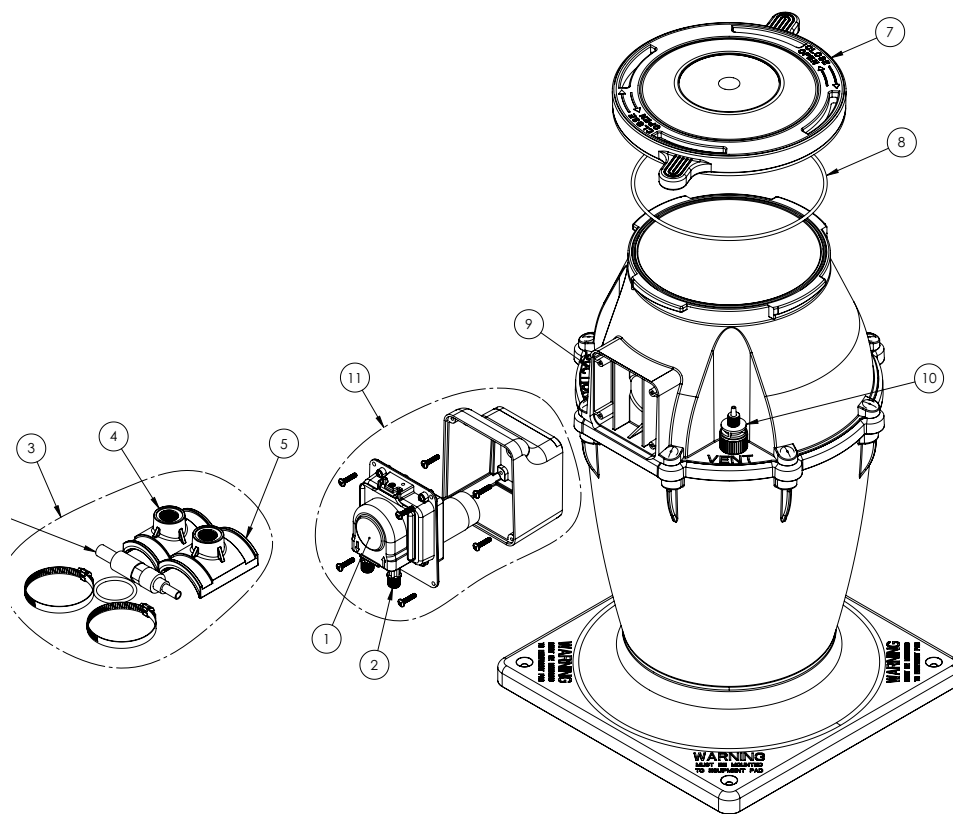
Product on page 286.

CALIFORNIA PROPOSITION 65 WARNING
 ⚠️ **WARNING:** Cancer and Reproductive Harm.
 ⚠️ **AVERTISSEMENT:** Peut Causer le Cancer et des Dommages au Système Reproducteur.
 ⚠️ **ADVERTENCIA:** Cáncer y Daño Reproductivo.
www.p65warnings.ca.gov PH 201714



*"Sanitizer" is an industry term of art and is not intended to imply any antimicrobial capabilities.

INTELLICHEM® CHEMICAL TANK REPLACEMENT PARTS



Item	Part No.	Description	US List	Can. List
INTELLICHEM REPLACEMENT CHEMICAL CONTAINER				
	522472	Acid Tank with Tank Mounted Pump for IntelliChem	CALL	CALL
	522473	Chlorine Tank with Tank Mounted Pump for IntelliChem	CALL	CALL
	521378	Acid Container for IntelliChem (Requires Separate Pump)	CALL	CALL
	521397	Chlorine Container for IntelliChem (Requires Separate Pump)	CALL	CALL
INTELLICHEM CHEMICAL CONTAINER REPLACEMENT PARTS				
	522384	1/4" Black Tubing for Chemical Injection with Labels, 20 Ft.	CALL	CALL
	522446	1/4" Black Tubing for Chemical Injection with Labels, 100 Ft.	CALL	CALL
1	522386	Repair Kit for Tank Mounted Pump	177.32	213.07
2	522480	Pump Tubes for Tank Mounted Pump, 2 Pk.	86.41	103.83

Item	Part No.	Description	US List	Can. List
INTELLICHEM CHEMICAL CONTAINER REPLACEMENT PARTS CONT'D.				
3	521895	Kit IPH RPLC ACC Bag (Includes ball, spring, saddle clamp parts)	CALL	CALL
4	521511	Saddle Clamp for 1- 1/2" Pipe (Requires Check Valve)	63.74	76.59
5	521512	Saddle clamp for 2" Pipe (Requires Check Valve)	73.53	88.35
6	522513Z	Injection Check Valve	49.98	60.06
7	521505	Lid for Acid Container	103.00	123.76
7	521506	Lid for Chlorine Container	103.00	123.76
8	521507	O-Ring for Container Lid, 5-Pk.	122.62	147.34
9	521508	Suction Fitting, Black	49.01	58.89
10	521509	Vent Fitting, Grey	53.91	64.78
11	522478Z	Upgrade Kit for IntelliChem Motor Driver Tank Pump PCBA	84.39	101.40
	522474	Upgrade Kit for IntelliChem Tank Pump	CALL	CALL

CALIFORNIA PROPOSITION 65 WARNING
 ⚠️ **WARNING:** Cancer and Reproductive Harm.
 ⚠️ **AVERTISSEMENT:** Peut Causer le Cancer et des Dommages au Système Reproducteur.
 ⚠️ **ADVERTENCIA:** Cáncer y Daño Reproductivo.
www.p65warnings.ca.gov P65-2015-14

Product on page 286.

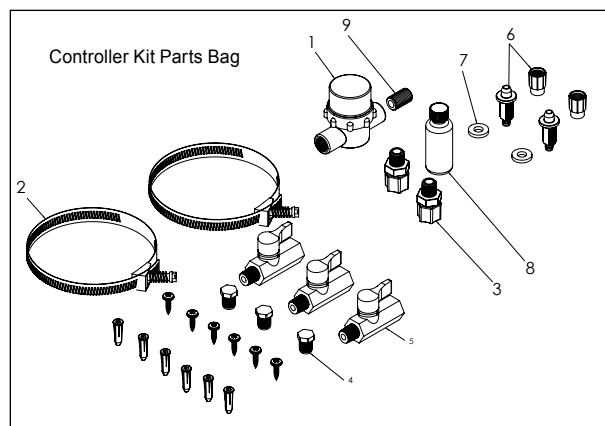
*"Sanitizer" is an industry term of art and is not intended to imply any antimicrobial capabilities.

COMMERCIAL INTELLICHEM® CHEMICAL CONTROLLER REPLACEMENT PARTS

Item	Part No.	Description	US List	Can. List
INTELLICHEM CONTROLLER REPLACEMENT PARTS				
1	523146	Top Half (Lid w/overlay and wiring diagram)	506.85	609.03
2	523004Z	Controller Circuit Board	898.64	1079.81
2	523533Z	LCD Display	84.77	101.86
3	8520031Z	Circuit Breaker	69.43	83.43
	523228	Protocol Adapter	CALL	CALL
	523117	Transceiver Case	93.66	112.54
4	521467Z	Enclosure Mounting Brackets	74.50	89.52
5	521468Z	Strain Relief Kit	117.60	141.31
6	521335Z	Transformer with Mounting Plate	343.07	412.23

Item	Part No.	Description	US List	Can. List
INTELLICHEM FLOW CELL REPLACEMENT PARTS				
1	522186	pH Sensor (1-year warranty)	227.52	273.39
2	522187	ORP Sensor (1-year warranty)	320.43	385.03
3	754000310	Flow Cell with Flow Switch	CALL	CALL
4	521342Z	Parts Bag	422.24	507.36
5	754000440	Flow Switch with Magnet	CALL	CALL
	754000410	Magnet for Flow Switch	26.53	31.88
	522623	External Flow Switch Kit, 3ft.	CALL	CALL
	522624	External Flow Switch Kit, 10ft.	CALL	CALL
6	744000290	Cable for pH Sensor, 3 ft.	CALL	CALL
7	744000360	Cable for ORP Sensor 3 ft.	CALL	CALL
8	754000350	O-Ring for Flow Jar	CALL	CALL
9	754000340	Jar for Flow Cell	CALL	CALL

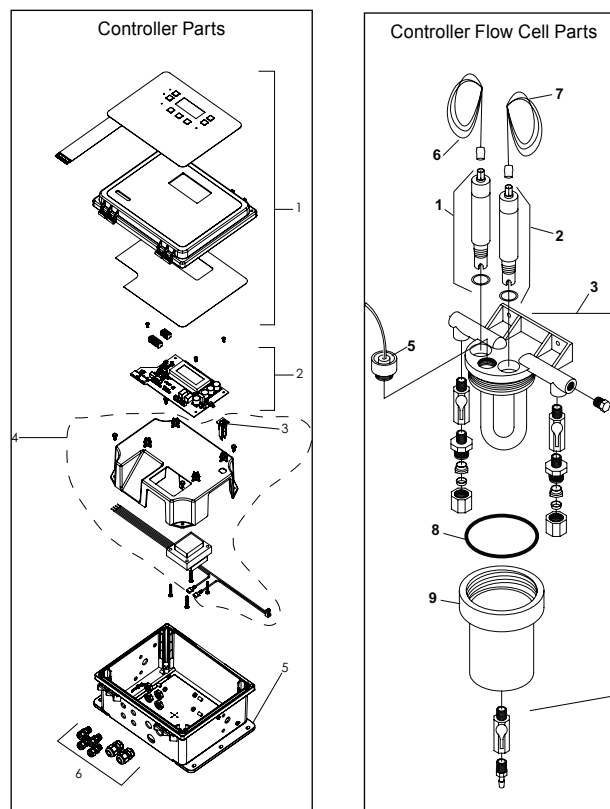
Item	Part No.	Description	US List	Can. List
CONTROLLER KIT PARTS BAG CONTENTS				
1	522010Z	Inline Filter	34.59	41.56
2	522347Z	Bypass Clamp (replaces R172034)	45.42	54.58
3	606000100Z	Fitting 3/8" Tube x 1/4" NPT	7.09	8.52
4	620000040Z	Plug 1/4" NPT	3.07	3.69
5	622000080Z	Ball Valve 1/4" NPT	39.95	48.00
6	R172032Z	Fitting 3/8" Tube to Bypass Clamp	9.07	10.90
7	R172033Z	Rubber Gasket for Bypass Clamp	3.90	4.69
8	R172036Z	O-Ring Lubricant	14.99	18.01
9	620000130Z	Nipple 1/4" NPT	3.07	3.69



Item	Part No.	Description	US List	Can. List
OPTIONAL ACCESSORIES				
	523492Z	Stenner 50 GPD External Pump	CALL	CALL
	523493	Stenner Pump Tube - 2 Pack	CALL	CALL
	523494	Stenner Pump Tube - 5 Pack	186.54	224.15
	522384	20 ft - 1/4 in Black Tubing for Chemical Injection with Labels	CALL	CALL
	522446	100 ft - 1/4 in Black Tubing for Chemical Injection with Labels	CALL	CALL
	714000070	CO2 Kit with Diffuser, Solenoid, Regulator	1657.38	1991.51
	521622	IntelliChem Winterizing Kit	CALL	CALL
	522009	Injection Kit (Injection Check Valve)	CALL	CALL
	521511	Saddle Clamp for 1-1/2-in Pipe (Required Check Valve)	63.74	76.59
	521512	Saddle Clamp for 2-in Pipe (Required Check Valve)	73.53	88.35

Item	Part No.	Description	US List	Can. List
INTELLICHEM TITLE-22 REPLACEMENT PARTS				
	523537Z	Upgrade Kit	305.20	366.73
	523470Z	Daughter Circuit Board	327.90	394.00
	523525Z	Controller Circuit Board	847.77	1018.68

*Pentair recommends replacing peristaltic pump tubes every 6 months



CALIFORNIA PROPOSITION 65 WARNING

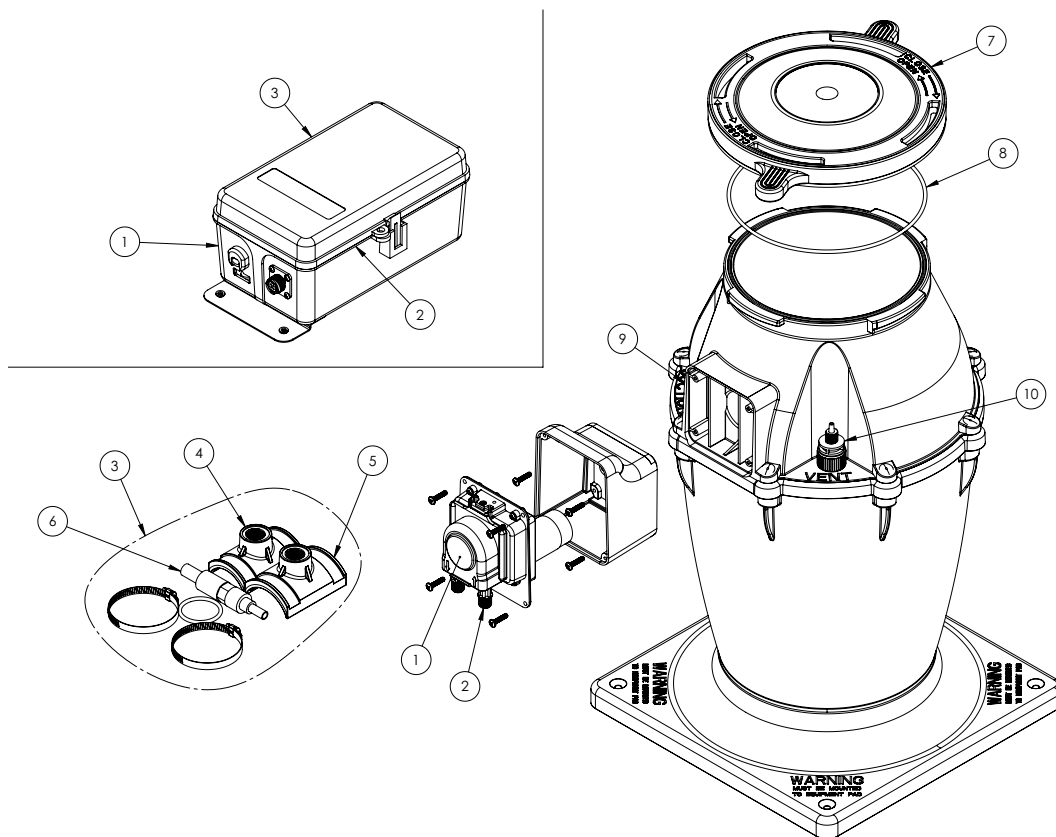
⚠️ **WARNING:** Cancer and Reproductive Harm.
 ⚠️ **AVERTISSEMENT:** Peut Causer le Cancer et des Dommages au Système Reproducteur.
 ⚠️ **ADVERTENCIA:** Cáncer y Daño Reproductivo.

www.p65warnings.ca.gov. PH 202174A

Product on page 287.

*"Sanitizer" is an industry term of art and is not intended to imply any antimicrobial capabilities.

INTELLIPH® CONTROLLER REPLACEMENT PARTS



Item	Part No.	Description	US List	Can. List
INTELLIPH CONTROLLER REPLACEMENT PARTS				
1	522711	IntellipH Controller Unit	603.88	725.62
2	521513	Faceplate and PCBA	632.83	760.41
3	521516	Door for Controller	68.62	82.45
REPLACEMENT CHEMICAL CONTAINER				
	522712	IntellipH Container	951.43	1143.24
CHEMICAL CONTAINER REPLACEMENT PARTS				
	522384	1/4" Black Tubing for Chemical Injection with Labels, 20 Ft.	CALL	CALL
	522446	1/4" Black Tubing for Chemical Injection with Labels, 100 Ft.	CALL	CALL
1	522386	Repair Kit for Tank Mounted Pump	177.32	213.07
2	522480	Pump Tubes for Tank Mounted Pump, 2 Pk.	86.41	103.83

Item	Part No.	Description	US List	Can. List
CHEMICAL CONTAINER REPLACEMENT PARTS CONT'D.				
3	521895	Kit IPH RPLC ACC Bag (Includes ball, spring, saddle clamp parts)	CALL	CALL
4	521511	Saddle Clamp for 1- 1/2" Pipe (Requires Check Valve)	63.74	76.59
5	521512	Saddle clamp for 2" Pipe (Requires Check Valve)	73.53	88.35
6	522513Z	Injection Check Valve	49.98	60.06
7	521505	Lid for Acid Container	103.00	123.76
8	521507	O-Ring for Container Lid, 5-Pk.	122.62	147.34
9	521508	Suction Fitting, Black	49.01	58.89
10	521509	Vent Fitting, Grey	53.91	64.78
	521514	Stenner Pumphead for IntellipH	CALL	CALL
	521515	Upgrade Kit for IntellipH Stenner Pump Head Mtr Assy	CALL	CALL

Product on page 288.

CALIFORNIA PROPOSITION 65 WARNING

⚠ **WARNING:** Cancer and Reproductive Harm.

⚠ **AVERTISSEMENT:** Peut Causer le Cancer et des Dommages au Système Reproducteur.

⚠ **ADVERTENCIA:** Cáncer y Daño Reproductivo.

www.p65warnings.ca.gov

PH202114

*"Sanitizer" is an industry term of art and is not intended to imply any antimicrobial capabilities.

INTELLISYNC™ REPLACEMENT PARTS



Part No.	Description	US List	Can. List
INTELLISYNC REPLACEMENT PARTS			
523404	IntelliSync Unit	CALL	CALL
523413Z	Top Cover	CALL	CALL
523410Z	Power Supply	112.68	135.40
8023302	Terminal Plug (2 Position)	CALL	CALL
8023304	Terminal Plug (4 Position)	CALL	CALL
8023306	Terminal Plug (6 Position)	CALL	CALL
Water/Air Temperature Sensor Kit			
520872	Water/Air Temperature Sensor Kit 521583 - Temperature Sensor, 10k Ohms, 40 ft 521584 - Temperature Sensor, 10k Ohms, 20 ft 476168 - Hose Clamp (1-7/8" - 5" Clamp) 9321004 - Hose Clamp 2-3/4 IN	CALL	CALL

*"Sanitizer" is an industry term of art and is not intended to imply any antimicrobial capabilities.

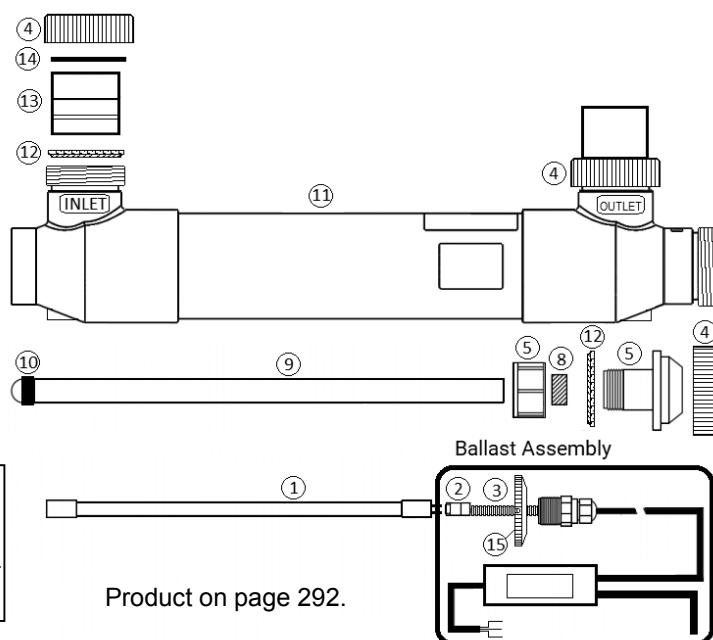
BIOSHIELD® UV SYSTEM REPLACEMENT PARTS

Item	Part No.	Description	US List	CAN. List
1	523035	50 Watt UV Lamp for Model #522635	253.59	304.71
1	523036	80 Watt UV Lamp for Model #522636	274.10	329.36
1	523037	120 Watt UV Lamp for Model #522637	315.24	378.79
1	523038	150 Watt UV Lamp for Model #522638 and #522945	287.87	345.90
2	523034	4-Pin Lamp Connector	6.95	8.35
3	523423	Lamp Spacer	43.07	51.75
4	411000	Black Retaining Nut	29.72	35.71
8	960533	Quartz Sleeve Gasket	CALL	CALL
9	523039	Quartz Sleeve 22.25" for Model #522635	119.92	144.10
9	523040	Quartz Sleeve 38.25" for Model #522636	137.06	164.69
9	523041	Quartz Sleeve 50.75" for Model #522637	205.87	247.37
9	523042	Quartz Sleeve 65.00" for Model #522638 and #522945	171.33	205.87
10	523403	Quartz Sleeve Dampner Band	21.53	25.87
11	523110	50 Watt UV Housing	1148.37	1379.88
11	523111	80 Watt UV Housing	1203.29	1445.87
11	523112	120 Watt UV Housing	1243.47	1494.15
11	523113	150 Watt UV Housing	1708.68	2053.15

KITS

523460	Ballast Assembly Only with Flow Switch Input Model #522635 - 522637	633.23	760.89
523462	Ballast Assembly Only with Flow Switch Input Model #522638/522945	633.23	760.89
523461	Ballast Assembly with Flow Switch and Tee Model #522635 - 522637	844.31	1014.52
523463	Ballast Assembly with Flow Switch and Tee Model #522638/522945	844.31	1014.52
523458	Flow Switch only (with connector)	189.96	228.26
523459	Reducer Tee 2.5" x 1"	23.22	27.90
523382	Quartz Sleeve Module - All Models (Includes Item # 5, 8)	304.77	366.21
410020	Union Assembly for Models # 522935-522638 (3"/2.5" - Includes Item # 12, 13, 14, 4)	221.19	265.78
523148	Union Assembly for Models # 522638-522945 (3") *	507.30	609.57
523098	Clamp Kit (Includes a set of 2)	198.39	238.39
523383	Seal Kit - All Models (Includes Item # 8, 12)	91.44	109.87
410016Z	Seal Kit Union (Includes 2 of Item #12)	18.28	21.97

*REVISION 2



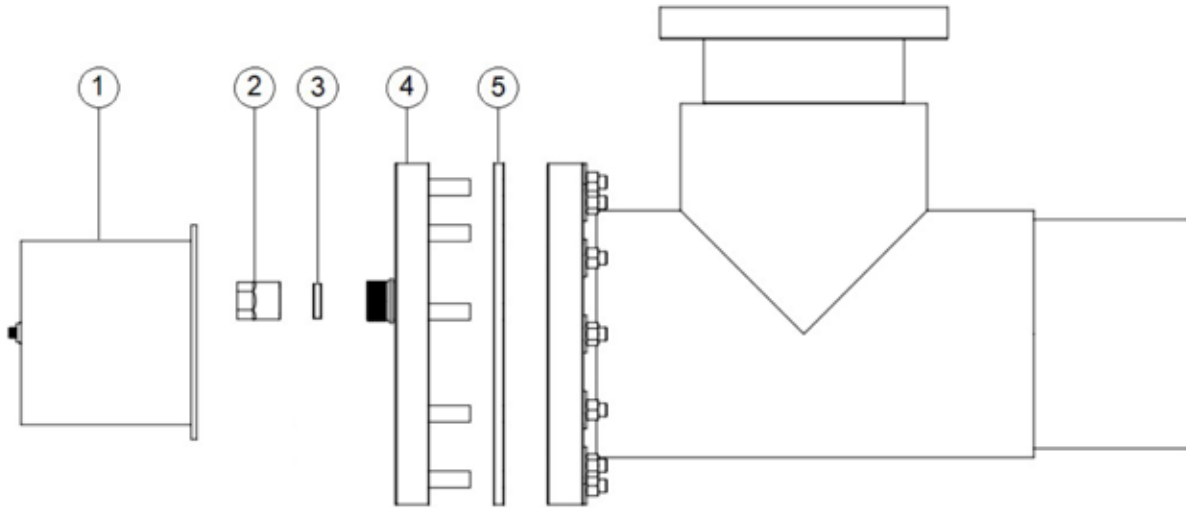
CALIFORNIA PROPOSITION 65 WARNING
 ⚠️ **WARNING:** Cancer and Reproductive Harm.
 ⚠️ **AVERTISSEMENT:** Peut Causer le Cancer et des Dommages au Système Reproducteur.
 ⚠️ **ADVERTENCIA:** Cáncer y Daño Reproductivo.
www.p65warnings.ca.gov P88-2015-14

Product on page 292.

*"Sanitizer" is an industry term of art and is not intended to imply any antimicrobial capabilities.

BIOSHIELD® PRO UV SYSTEM

REPLACEMENT PARTS



Item	System Part Number						Description	US List	CAN. List
	523575	523576	523577	523578	523579	523580			
1	523613	523613	523614	523614	523614	523614	NSF SAFETY CAP	CALL	CALL
2	QSRA-HDPE						QUARTZ SLEEVE RETAINING NUT	CALL	CALL
3	EP50-318Z						QUARTZ O-RING	CALL	CALL
4	CLPHO-2-6BF	CLPHO-4-6BF	CLPHO-4-8BF	CLPHO-5-8BF	CLPHO-5-10BF	CLPHO-6-10BF	FACEPLATE	CALL	CALL
5	17-060	17-060	17-080	17-080	17-100	17-100	FACEPLATE GASKET	CALL	CALL
—	523037						UV LAMP	CALL	CALL
—	523041						QUARTZ SLEEVE	CALL	CALL
—	28/HDPE-TOOL-ASSM						RETAINING NUT TOOL	CALL	CALL
—	523591						BALLAST	CALL	CALL
—	523594						FLOW SWITCH	CALL	CALL
—	523581						INTERCONNECT BOX	CALL	CALL

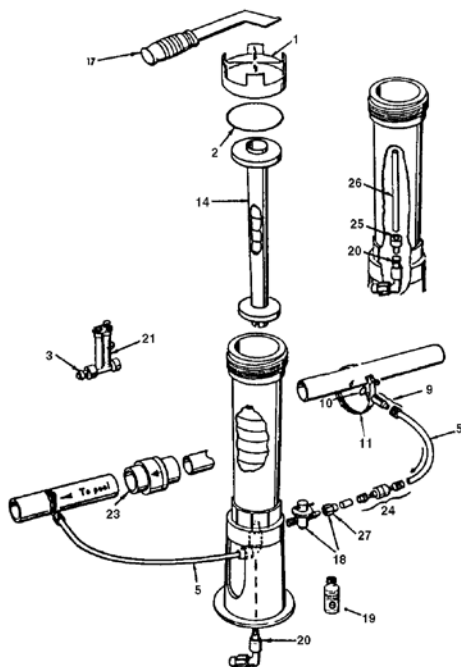
CALIFORNIA PROPOSITION 65 WARNING
 ⚠️ **WARNING:** Cancer and Reproductive Harm.
 ⚠️ **AVERTISSEMENT:** Peut Causer le Cancer et des Dommages au Système Reproducteur.
 ⚠️ **ADVERTENCIA:** Cáncer y Daño Reproductivo.
www.p65warnings.ca.gov PR000744

Product on page 293.

*"Sanitizer" is an industry term of art and is not intended to imply any antimicrobial capabilities.

AUTOMATIC FEEDER - MODEL 300, 302, 300-19, 300-29

REPLACEMENT PARTS



Item	Qty.	Part No.	Description	US List	Can. List
Order No.:		R171016		R171026	
Model No.:		300		302	
Description:		AUTOMATIC FEEDER		SPA HOT TUB FEEDER	

1	1	R172008W	3 in. threaded cap, white	27.58	33.14
2	1	R172009Z	O-ring, cap	10.71	12.87
3	Opt.	R172020	Check valve Old Style	7.27	8.74
5	1	R172023Z	3/8 in. o.d. x 1/4 in. i.d. tubing, 8 ft.	14.61	17.56
9	2	R172032Z	Tube fitting with compression nut	9.07	10.90
10	2	R172033Z	Gasket	3.90	4.69
11	2	R172034Z	Saddle clamp	9.07	10.90
14	1	R172037	Spa chamber #302 only	25.32	30.42
17	Opt.	R172052	Cap wrench	46.31	55.65
18	1	R172060Z	Control valve 1/4 in. NPT x tube with compression nut	37.70	45.30
19	1	R172036Z	Silicone lubricant, 3/4 oz.	14.99	18.01
20	1	R172061Z	Combination check valve / elbow	9.32	11.20
21	Opt.	R172080Z	Flow indicator w/check valve	48.96	58.83
23	Opt.	R172288	1-1/2 in.-2 in. Corrosion resistant check valve	62.15	74.68
24	Opt.	R172323	1/4 in. Corrosion resistant check valve	28.46	34.20
25		R172061ZB	Standpipe adapter, Bromine	CALL	CALL
26		R18761	6 in. Standpipe 3/8 in. o.d. x 1/4 in. i.d.	1.62	1.95
27	1	R18706Z	Compression nut only	4.53	5.44

Order No.: R172064

Parts bag for 300, 302, 300-19 & 300-29

9	2	R172032Z	Tube fitting with compression nut	9.07	10.90
10	2	R172033Z	Gasket	3.90	4.69
11	2	R172034Z	Saddle clamp	9.07	10.90
18	1	R172060Z	Control valve 1/4 in. NPT x tube with compression nut	37.70	45.30
19	1	R172036Z	Silicone lubricant	14.99	18.01
20	1	R172061Z	Combination check valve / elbow	9.32	11.20

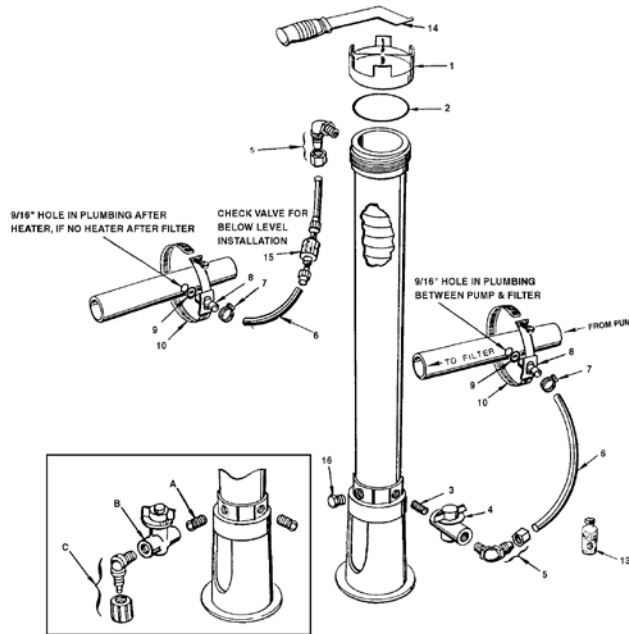
CALIFORNIA PROPOSITION 65 WARNING
 ⚠️ **WARNING:** Cancer and Reproductive Harm.
 ⚠️ **AVERTISSEMENT:** Peut Causer le Cancer et des Dommages au Système Reproducteur.
 ⚠️ **ADVERTENCIA:** Cáncer y Daño Reproductivo.
www.p65warnings.ca.gov PHS 201714

Product on page 300.

*"Sanitizer" is an industry term of art and is not intended to imply any antimicrobial capabilities.

AUTOMATIC FEEDER - MODEL 300-29X

REPLACEMENT PARTS



Item	Qty.	Part No.	Description	US List	Can. List
Order No.: R171070					
Model No.: 300-29X					
Description: COMMERCIAL SIZE FEEDER					
1	1	R172008W	3 in. threaded cap, white	27.58	33.14
2	1	R172009Z	O-ring, cap	27.58	33.14
3	1	R172256Z	1/2 in. x Short MPT nipple	10.71	12.87
4	1	R172086Z	1/2 in. Control valve	8.82	10.60
5	2	R172272Z	1/2 in. 90° NPT x tube fitting w/nut	79.55	95.59
5	Opt.	R172274Z	Compression nut only (for R172272Z)	11.33	13.61
6	1	R172269	1/2 in. i.d. Feeder tube, 12 ft.	4.15	4.99
7	2	R175013	S/S tubing clamp	27.41	32.94
8	2	R172262Z	Saddle tube fitting	9.07	10.90
9	2	R172263Z	Saddle gasket	8.82	10.60
10	2	R172264Z	Saddle clamp	3.31	3.98
10A	Opt.	R172264XL	Saddle clamp for 3 in., 4 in. & 6 in. pipe	16.76	20.14
11	1	R172392	1/4 in. MPT PVC plug (old style)	22.23	26.71
13	1	R172036Z	Silicone lubricant, 3/4 oz.	8.82	10.60
14	Opt.	R172052	Cap wrench	14.99	18.01
15	Opt.	R172324NS	1/2 in. Corrosion resistant check valve, tube x tube (ball)	46.31	55.65
16	1	R172134	1/2 in. MPT PVC plug	CALL	CALL

Item	Qty.	Part No.	Description	US List	Can. List
Order No.: R172275					
Parts bag for 300-29X Complete					
3	1	R172256Z	1/2 in. x Short MPT nipple	8.82	10.60
4	1	R172086Z	1/2 in. Control valve	79.55	95.59
5	2	R172272Z	1/2 in. 90° NPT x tube fitting w/nut	11.33	13.61
5	Opt.	R172274Z	Compression nut only (for R172272Z)	4.15	4.99
7	2	R175013	S/S tubing clamp	9.07	10.90
8	2	R172262Z	Saddle tube fitting	8.82	10.60
9	2	R172263Z	Saddle gasket	3.31	3.98
10	2	R172264Z	Saddle clamp	16.76	20.14
13	1	R172036Z	Silicone lubricant	14.99	18.01
Order No.: R172002					
Optional Drain Kit					
A		R172256Z	1/2 in. Short MPT nipple	8.82	10.60
B		R172086Z	1/2 in. Control valve	79.55	95.59
C		R172272Z	1/2 in. 90° NPT x tube fitting w/nut	11.33	13.61

Product on page 300.

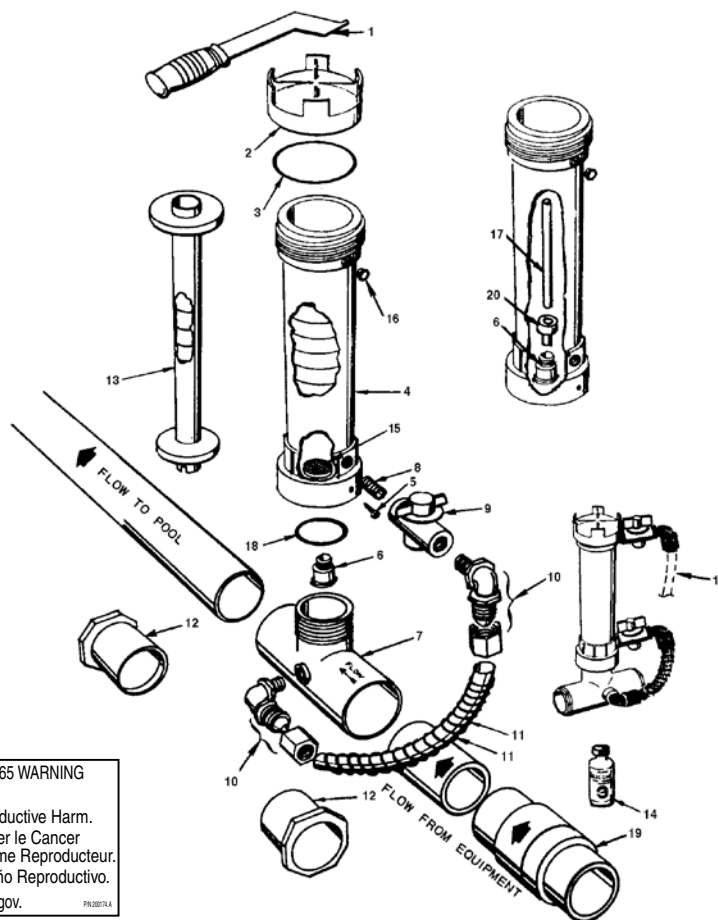
CALIFORNIA PROPOSITION 65 WARNING

⚠ **WARNING:** Cancer and Reproductive Harm.
 ⚠ **AVERTISSEMENT:** Peut Causer le Cancer et des Dommages au Système Reproducteur.
 ⚠ **ADVERTENCIA:** Cáncer y Daño Reproductivo.

www.p65warnings.ca.gov. P# 202114

AUTOMATIC FEEDER - MODEL 320

REPLACEMENT PARTS



CALIFORNIA PROPOSITION 65 WARNING
 ⚠️ **WARNING:** Cancer and Reproductive Harm.
 ⚠️ **AVERTISSEMENT:** Peut Causer le Cancer et des Dommages au Système Reproducteur.
 ⚠️ **ADVERTENCIA:** Cáncer y Daño Reproductivo.
 www.p65warnings.ca.gov. PK3207A

Item	Qty.	Part No.	Description	US List	Can. List
Order No.: R171096					
Model No.:		320			
Description:		IN-LINE AUTOMATIC FEEDER			
1	Opt.	R172052	Cap wrench	46.31	55.65
2	1	R172008W	3 in. threaded cap - white	27.58	33.14
3	1	R172009Z	O-ring, cap	10.71	12.87
4	1	R172321	#320 Body only (new style)	83.00	99.73
5	1	R01052	Lock screw	2.24	2.69
6	1	R172248Z	Check valve	15.88	19.08
7	1	R172317	Diverter tee 1-1/2 NPT x 2 in. slip	41.08	49.36
8	1	R172256Z	1/2 in. x Short MPT nipple	8.82	10.60
9	1	R172086Z	1/2 in. Control valve	79.55	95.59
10	2	R172272Z	1/2 in. NPT x tube 90° ELL w/nut	11.33	13.61
10	Opt.	R172274Z	Compression nut only (for R172272Z)	4.15	4.99

Item	Qty.	Part No.	Description	US List	Can. List
11	1	R172091	5/8 in. o.d. Short feeder tube	8.54	10.26
11	Opt.	R171097Z	Tube support spring	8.82	10.60
12	2	R172210	2 in. x 1-1/2 in. S x S bushing for 1-1/2 in. PVC only ¹	8.82	10.60
13	Opt.	R172037	Spa chamber	25.32	30.42
14	1	R172036Z	Silicone lubricant, 3/4 oz.	14.99	18.01
15	1	210396Z	Screen	4.86	5.84
16	1	R172134	1/2 in. NPT PVC plug	9.71	11.67
17	1	R172253Z	5/8 in. o.d. 18 in. tube (optional top feed)	8.80	10.57
18	1	R172319Z	Bottom O-ring	2.24	2.69
19	Opt.	R172288	1-1/2 in. Corrosion resistant check valve	62.15	74.68
20	1	R172048B	Standpipe adapter, Bromine	2.30	2.76

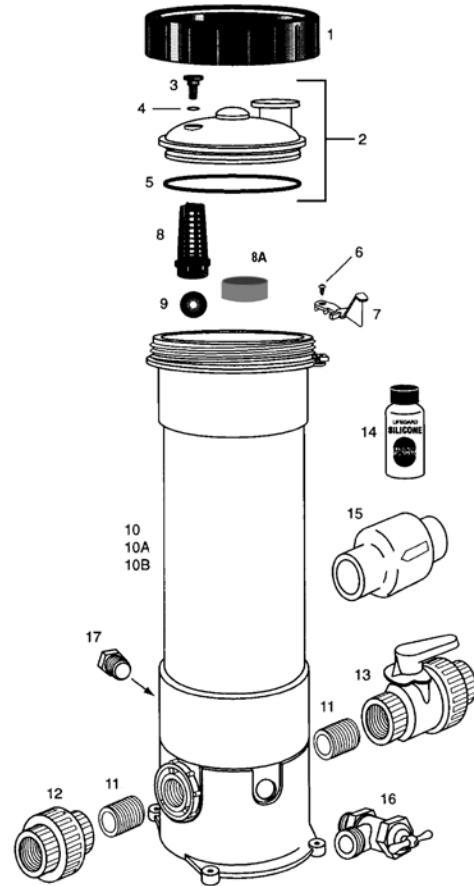
¹ Not used with 2 in. PVC.

Product on page 300.

HIGH CAPACITY AUTOMATIC FEEDERS MODELS HC-3315, HC-3330, HC-3340

REPLACEMENT PARTS

Item	Qty.	Part No.	Description	US List	Can. List
Order No.: R171215, R171230, R171240					
Model No.: HC-3315, HC-3330, HC-3340					
Description: HIGH CAPACITY AUTOMATIC FEEDER					
1	1	R172214	Lock ring	27.08	32.54
2	1	R172385D	Lid assembly complete	47.80	57.44
3	1	R172224XZ	Vent valve	8.82	10.60
4	1	R172221Z	O-ring vent valve	2.24	2.69
5	1	R172240Z	O-ring lid to housing	18.14	21.80
6	1	R172375	Lock screw	2.24	2.69
7	1	R172374	Lock spring	8.82	10.60
8	1	R175251	Screen	8.92	10.72
8A	1	R171919	Check Valve Seat	CALL	CALL
9	1	R172435	Check ball	2.30	2.76
11	2	R270484	1 in. Close nipple	8.82	10.60
12	1	R270531	1 in. Threaded union	27.68	33.26
13	1	R172439	Control valve	128.02	153.83
14	1	R172036Z	Silicone lubricant, 3/4 oz.	14.99	18.01
15	Opt.	R172288	1-1/2 in.-2 in. Check valve	62.15	74.68
16	1	R175009	Hose Bib w/t Handle 1/2 in.	27.24	32.73
17	1	R172134	1/2 in. threaded plug	9.71	11.67
NOT SHOWN					
		R172082	Flow rate indicator	CALL	CALL



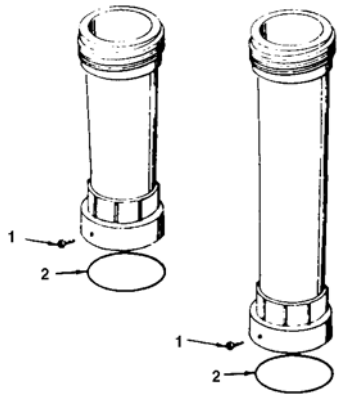
CALIFORNIA PROPOSITION 65 WARNING
 ⚠️ **WARNING:** Cancer and Reproductive Harm.
 ⚠️ **AVERTISSEMENT:** Peut Causer le Cancer et des Dommages au Système Reproducteur.
 ⚠️ **ADVERTENCIA:** Cáncer y Daño Reproductivo.
www.p65warnings.ca.gov PK22073-A

Product on page 300.

**“Sanitizer” is an industry term of art and is not intended to imply any antimicrobial capabilities.

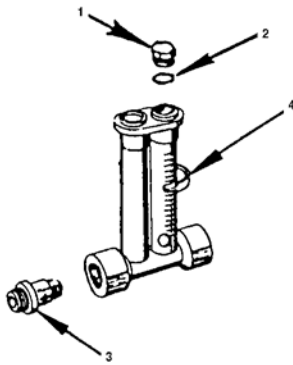
EXTENSIONS / DISPENSERS / FLOW INDICATORS

REPLACEMENT PARTS

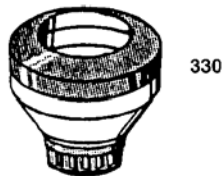


R172087

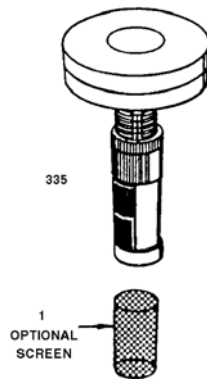
R172283



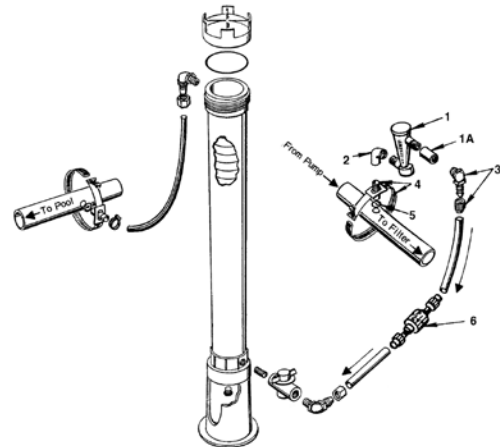
R172080Z



R171086



R171090



R172627

Item	Qty.	Part No.	Description	US List	Can. List
Order No.:		R172087 10 IN. EXTENSION COMPLETE			
Order No.:		R172283 20 IN. EXTENSION COMPLETE			
1	1	R172078	Lockscrew (bottom collar)	2.24	2.69
2	1	R172009Z	O-ring	10.71	12.87
Order No.:		R172080Z Description: FLOW INDICATOR			
1	1	R172392	Access plug 1/4 in. MPT	8.82	10.60
2	1	R172393	O-ring	8.82	10.60
3	1	R172020	Check valve	7.27	8.74
4	1	R172235	Marker clip	9.07	10.90
Order No.:		R172627 Description: CORROSION RESISTANT FLOW INDICATOR			
1	1	R172276	Commercial flow indicator	107.97	129.74
1A	1	R172313	1/2 in. Coupling (included with flow indicator)	9.07	10.90
2	1	R270422	1/2 in. x 90° Elbow FPT	9.07	10.90
3	1	R172272Z	1/2 in. x 90° NPT x tube fitting with nut	11.33	13.61
4	1	R172628	Saddle clamp with inlet fitting (threaded)	38.07	45.74
5	1	R172263Z	Saddle gasket	3.31	3.98
6	1	R172324	1/2 in. Corrosion resistant check valve. Tube x tube	CALL	CALL
Order No.:		R171086 Model No.: 330			
Description:		FLOATING DISPENSER			
1	1	R18729B	Lid only (new style – fits 'B' body)	8.82	10.60
Order No.:		R171130 Description: SPLASHER POOL/SPA DISPENSER			
2.92	3.51	R18902	Cap	3.01	3.62
Order No.:		R171090 Model No.: 335			
Description:		SPA OR SMALL POOL FLOATING DISPENSERS			
1	1	R18855	Screen	4.99	6.00
1	1	R18819	Lock ring	8.61	10.35

CALIFORNIA PROPOSITION 65 WARNING

⚠️ **WARNING:** Cancer and Reproductive Harm.
 ⚠️ **AVERTISSEMENT:** Peut Causer le Cancer et des Dommages au Système Reproducteur.
 ⚠️ **ADVERTENCIA:** Cáncer y Daño Reproductivo.
www.p65warnings.ca.gov PN 200714

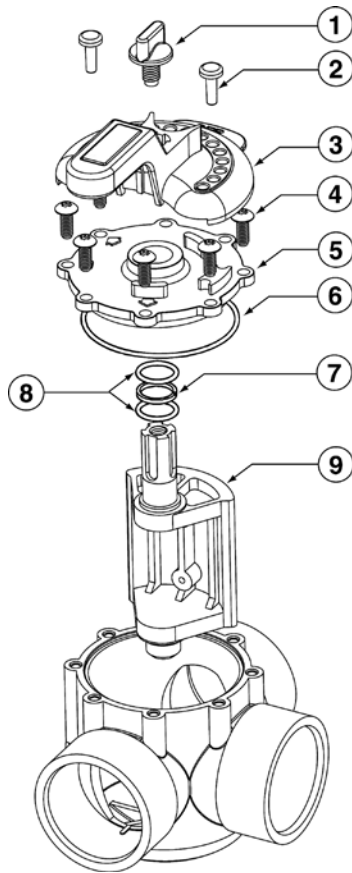
Product on page 301.

VALVE PARTS

Product Catalog 2024

DIVERTER VALVES – 1-1/2 IN. AND 2 IN.

REPLACEMENT PARTS (PACFAB AND COMPOOL VALVES)



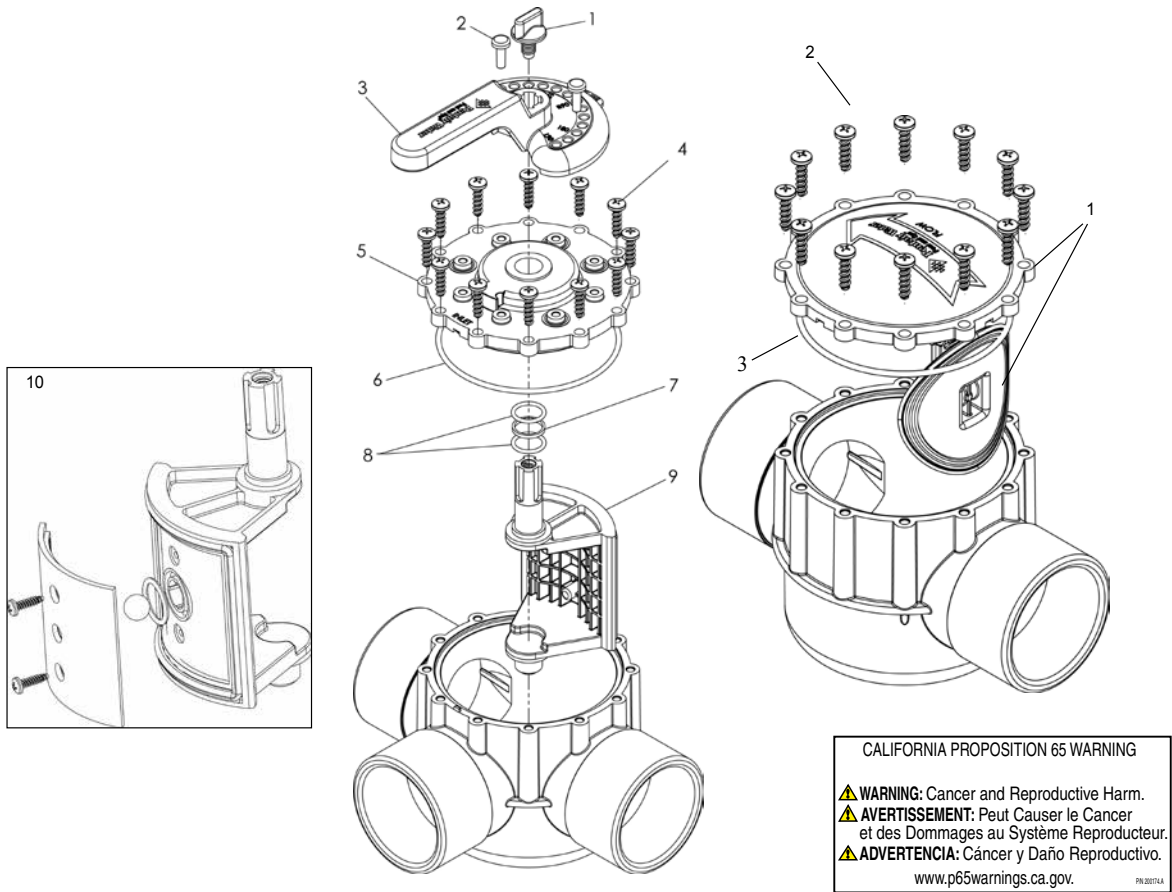
CALIFORNIA PROPOSITION 65 WARNING
 ⚠️ **WARNING:** Cancer and Reproductive Harm.
 ⚠️ **AVERTISSEMENT:** Peut Causer le Cancer et des Dommages au Système Reproducteur.
 ⚠️ **ADVERTENCIA:** Cáncer y Daño Reproductivo.
www.p65warnings.ca.gov PHL201714A

Item No.	Part No.	Description	US List	Can. List
DIVERTER VALVES – 1-1/2 IN. AND 2 IN.				
1	270032	Handle Knob 2 & 3-Way Valve	26.52	31.87
2	270021	Pin stop 2 & 3-Way Valve	CALL	CALL
3	270028	Handle 2 & 3-Way Valve	CALL	CALL
4	520389	Screw Kit, (8 Screws)	60.45	72.64
5	270030	Cover CPVC 2 & 3-Way Valve	CALL	CALL
6	51016200Z	O-ring #2-152 Buna 70 Shore	5.64	6.78
7	270038	Spacer ring	CALL	CALL
8	192039Z	O-ring #2-116 Buna 70 Shore	3.90	4.69
9	270056	Diverter assy. 2 & 3-Way Valve, (2–2-1/2 in.) ¹	103.95	124.91
9	270075	Diverter assy. 2 & 3-Way Valve, (1-1/2–2 in.) ¹	119.55	143.65
9	270094	Diverter assy. 3-Way Solar Valve w/ drain down, (2–2-1/2 in.)	174.28	209.41
NOT SHOWN				
	263042Z	Check Valve Replacement Kit	122.23	146.87

¹ Includes: P/N 270038 (Spacer split ring) and P/N 192039Z (O-ring).

FULLFLOXF® DIVERTER & CHECK VALVES – 2-1/2" & 3"

REPLACEMENT PARTS

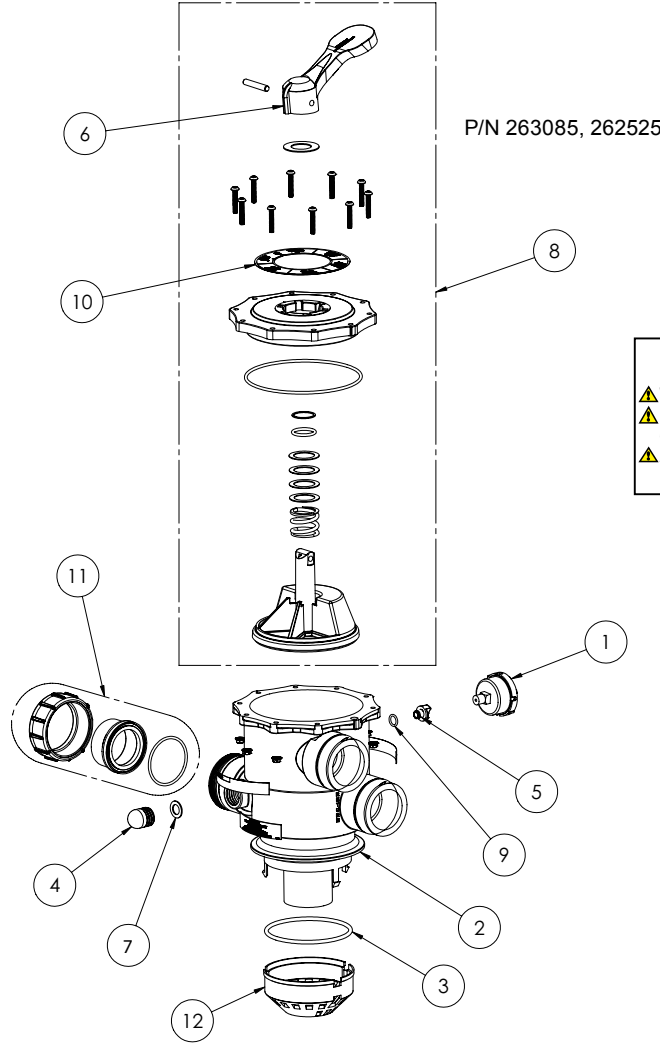


CALIFORNIA PROPOSITION 65 WARNING
 ⚠️ **WARNING:** Cancer and Reproductive Harm.
 ⚠️ **AVERTISSEMENT:** Peut Causer le Cancer et des Dommages au Système Reproducteur.
 ⚠️ **ADVERTENCIA:** Cáncer y Daño Reproductivo.
www.p65warnings.ca.gov PH 201714

Item No.	Part No.	Description	US List	Can. List
DIVERTER VALVE				
1	271074Z	Screw Handle Lock	26.53	31.88
2	271072Z	Pin Handle Stop	3.36	4.04
3	270118Z	Handle	CALL	CALL
4	271077Z	Screw Kit (12 screws/kit)	CALL	CALL
5	270115Z	Diverter Valve Cover	39.77	47.79
6	270116Z	O-Ring, 2-248 Buna-N 70 Shore A (1 req.)	12.43	14.94
7	271073Z	O-ring, Spacer (1 req.)	6.22	7.47
8	192039Z	O-Ring, 2-116 Buna-N 70 Shore A (2 req.)	3.90	4.69
9	270106Z	Diverter Shaft Assy	134.26	161.33
10	270107Z	Diverter Assy Solar 3-Way Valve w/ Drain Down Check Valve	198.86	238.95
CHECK VALVE				
1	270119Z	Check Valve Flapper Replacement Kit (includes items 2 & 3)	169.64	203.84
2	271077Z	Screw Kit (12 Screw/Kit)	74.56	89.59
3	270116Z	O-Ring 2-248 Buna-N 70 Shore A (1 req.)	12.43	14.94

2 IN. TOP MOUNT VALVE

REPLACEMENT PARTS



Item	Part No.	Description	US List	Can List
6 POSITION TOP MOUNT CLAMP-ON MULTIPOST VALVE				
1	190059Z	Pressure Gauge	66.35	79.73
2	270210Z	Valve Body	124.24	149.29
3	272541	Valve Body O-Ring	12.35	14.84
4	272556Z	Sight Glass	25.82	31.03
5	272557Z	Drain Plug	25.56	30.71
6	272558Z	Handle	38.94	46.79
7	272567Z	Sight Glass Gasket	25.82	31.03
8	272568Z	Valve Top Assembly*	245.59	295.10
9	272573Z	Drain Plug O-Ring	25.82	31.03
10	272576Z	Valve Position Label	29.00	34.85
11	272590Z	Union Kit	73.11	87.85
12	274402Z	Diffuser	48.74	58.57

* Item #8 does not include screws.

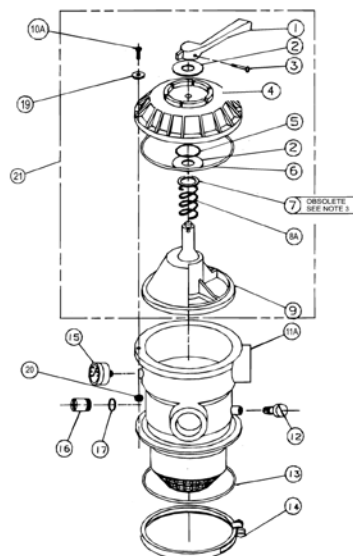
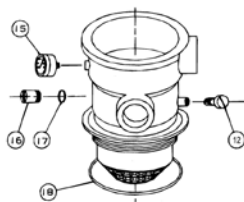
SIX-WAY 1-1/2 IN. TOP MOUNT HIFLOW™ VALVES

REPLACEMENT PARTS (PACFAB MULTIPOINT VALVES 262504, 262505, 262506)

NOTE

- ¹ VALVES MANUFACTURED BEFORE MARCH 1, 1993 DO NOT CONTAIN ITEM 16 SIGHT GLASS OR ITEM 17 SIGHT GLASS GASKET.
- ² CLAMP STYLE VALVES MANUFACTURED BEFORE MARCH 1, 1993 CONTAIN A DIFFERENT AIR BLEEDER WITH O-RING P/N 272515. THIS PART IS NOT INTERCHANGEABLE WITH P/N 273512. THREADED VALVES MANUFACTURED BEFORE MARCH 1, 1993 DO NOT CONTAIN AN AIR BLEEDER WITH O-RING.
- ³ ITEM 8A USED ON VALVES MANUFACTURED AFTER MAY 1, 1992 AND REPLACES BOTH ITEMS 7 AND 8.
- ⁴ ITEMS 10A, 19 AND 20 ARE USED ON VALVES MANUFACTURED AFTER APRIL 15, 1994 AND REPLACE ITEM 10.

For (261130) 6 in.
Buttress Style Valve For
TA Filters



For (262504) (262505)(262506) Clamp Style Valve For TA-D Filters

CALIFORNIA PROPOSITION 65 WARNING

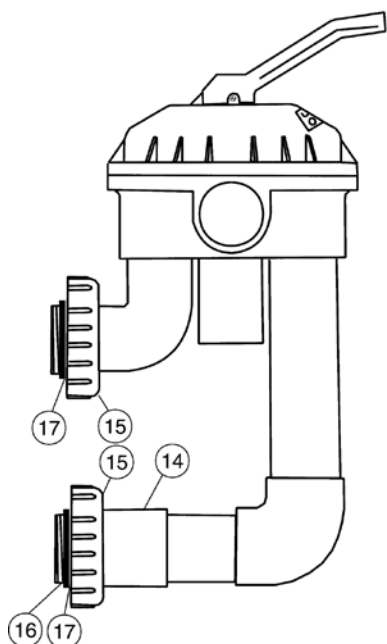
⚠ **WARNING:** Cancer and Reproductive Harm.
 ⚠ **AVERTISSEMENT:** Peut Causer le Cancer et des Dommages au Système Reproducteur.
 ⚠ **ADVERTENCIA:** Cáncer y Daño Reproductivo.

www.p65warnings.ca.gov P65-2015-6

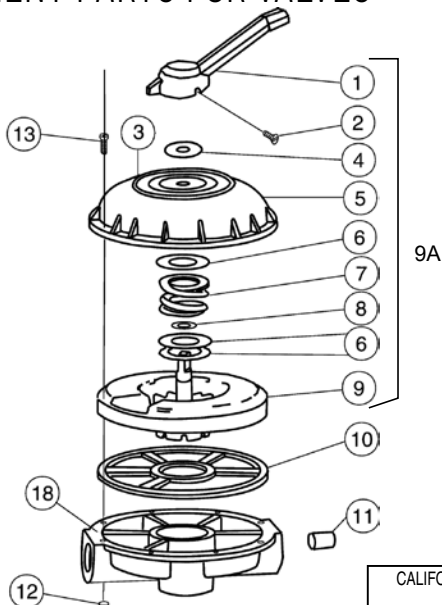
-Item No.	Part No.	Description	US List	Can. List
6-WAY HIFLOW MULTIPOINT VALVES				
1	272520	Handle	37.82	45.44
2	272505	Washer plastic, 2 req.	4.25	5.11
3	272405	Screw - handle	2.47	2.97
4	272599	Six-way valve label	8.82	10.60
5	272511	O-ring - diverter shaft	2.38	2.86
6	354053	O-ring - valve top	41.89	50.34
7	271193	Washer - s/s ³	3.63	4.36
8	272400	Spring - comp. 100 lb. 1-13/16 o.d. ³	14.18	17.04
8A	272535	Spring - comp. 100 lb. 1-3/8 o.d. ³	7.58	9.11
9	272512	Diverter w/ gasket	81.12	97.47
10A	354541	Screw #10-24 hex pan head, 6 req. ⁴	3.31	3.98
11A	272530	Valve body w/ diffuser - clamp style	198.73	238.79
12	273512	Air bleeder with O ring ²	17.61	21.16
13	272541	O-ring - 3/16 in. x 4-5/8 in. i.d.	12.35	14.84
14	152165	Clamp	37.82	45.44
15	190059Z	Pressure gauge	66.35	79.73
16	272550	Sight glass ¹	20.07	24.12
17	271106	Gasket - sight glass ¹	4.49	5.40
18	154493	O-ring	8.19	9.84
19	272555	Washer - 9/16 s/s, 6 req. ⁴	2.47	2.97
20	272554	Nut - #10-24 serrated flange s/s, 6 req. ⁴	3.03	3.64
21	272531	HiFlow 1-1/2 in. top valve assy.	248.37	298.44

2 IN. HIFLOW™ VALVES

REPLACEMENT PARTS FOR VALVES



Valves
261049
261050
261142



CALIFORNIA PROPOSITION 65 WARNING
 ⚠️ **WARNING:** Cancer and Reproductive Harm.
 ⚠️ **AVERTISSEMENT:** Peut Causer le Cancer et des Dommages au Système Reproducteur.
 ⚠️ **ADVERTENCIA:** Cáncer y Daño Reproductivo.
www.p65warnings.ca.gov PA2019A

Item	Part No.	Description	US List	Can. List
2 IN. HIFLOW VALVES				
1	272520	Handle	37.82	45.44
2	272405	Screw - Handle	2.47	2.97
3	272120	Label	CALL	CALL
4	272402	Washer - Plastic	4.31	5.18
5	272412	Valve Top	85.78	103.07
6	271193	Washer - 18 GA., 2 req.	3.63	4.36
7	272400	Spring - Compression	14.18	17.04
8	JV18	O-ring Kit Bag	1.65	1.98
9	272413Z	Diverter	151.57	182.13
9A	272422	Valve top assy. ¹	325.12	390.66
10	272409	Seal - Diverter	59.04	70.94
11	154566	Sight Glass 2 in. clear	23.07	27.72
12	98211400	Nut 1/4 in.- 20 Hex, 8 req.	3.93	4.72
13	272403	Screw 1/4 in.- 20, 8 req.	2.65	3.18
15	274407	Nut - Bulkhead adapter, 2 req.	CALL	CALL
16	274426	Adapter - Union Kit	CALL	CALL
17	274494	O-ring - Bulkhead adapter, 2 req.	CALL	CALL
18	272433	Valve btm. 2 in. w/ gasket ²	201.79	242.47

¹ This part number includes items 1 thru 9.

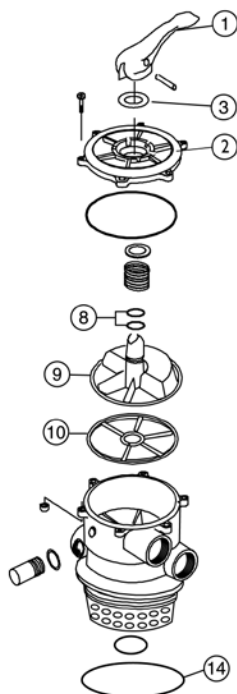
² 272433 valve btm. 2 in. w/ gasket contains one each of: 272409 seal diverter and 272415 Plate 2 in. valve btm.

TOP MOUNT CLAMP-ON MULTIPOINT VALVES

REPLACEMENT PARTS FOR AMERICAN VALVES

P/N 50113100
1-1/2 in. thrd.

P/N 50123100
2 in. slip



Item	Part No.	Description	US List	Can. List
6 POSITION TOP MOUNT CLAMP-ON MULTIPOINT VALVE				
1	271156	Handle	50.02	60.10
2	98740900	Label multipoint valve - 2 in. eclipse	CALL	CALL
3	51001400	Washer, poly	14.53	17.46
8	191479	O-ring	2.04	2.45
9	51002800	Rotor 1-1/2 in.	121.79	146.34
9	51002900	Rotor 2 in.	CALL	CALL
10	271104	Gasket, spider, 1-1/2 in. valve	40.15	48.24
10	271148Z	Gasket, spider, 2 in. valve	48.67	58.48
14	39300600Z	O-ring, 26 & 30 in. filter	CALL	CALL

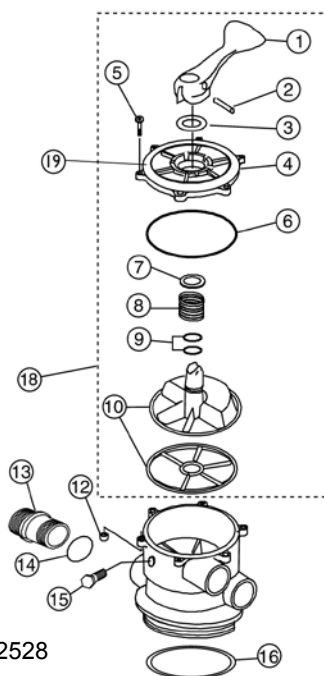
CALIFORNIA PROPOSITION 65 WARNING

⚠ **WARNING:** Cancer and Reproductive Harm.
 ⚠ **AVERTISSEMENT:** Peut Causer le Cancer et des Dommages au Système Reproducteur.
 ⚠ **ADVERTENCIA:** Cáncer y Daño Reproductivo.
www.p65warnings.ca.gov

TOP MOUNT CLAMP-ON MULTIPOINT VALVES

REPLACEMENT PARTS FOR AMERICAN VALVES

P/N 272528



5 Position Product No.: 50115100

8 Position Product Nos.: 50118100,
50118200, & 50118300

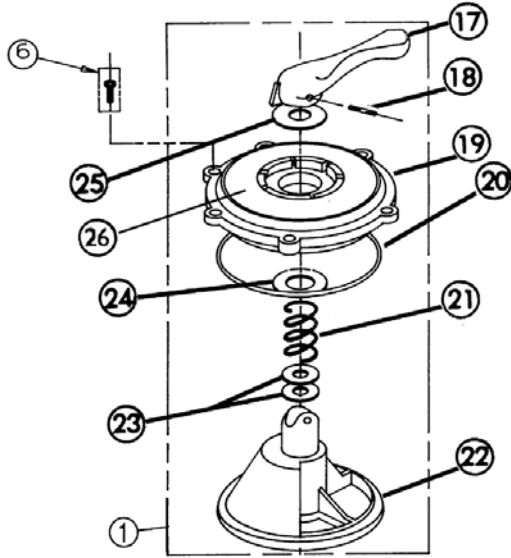
Item	Part No.	Description	US List	Can. List
5 & 8 POSITION TOP MOUNT CLAMP-ON MULTIPOINT VALVE				
1	50131100	Handle, 8-pos.	CALL	CALL
2	50151400	Pin, handle	CALL	CALL
3	51025700	Washer, poly	CALL	CALL
4	50133100	Lid assy., 8-pos., w/ label	CALL	CALL
5	98209000	Screw 14-20 x 1-1/2 in., 6 req.	3.14	3.77
6	50151700	O-ring, lid	CALL	CALL
7	51021600	Washer	CALL	CALL
8	51000700	Spring	CALL	CALL
9	191479	O-ring, rotor, 2 req.	2.04	2.45
10	50131400	Rotor, spider gasket assy.	CALL	CALL
12	98211400	Nut, 1/4 in. -20, 6 req.	3.93	4.72
13	85019000	Sight glass, 18, 20 in. sand filter	32.93	39.57
13	85019100	Sight glass, 22, 26 in. sand filter	32.93	39.57
14	50152300	O-ring, backwash sight glass	7.91	9.50
15	98206400	Plug, 1/4 in. NPT w/ O-ring	5.75	6.91
16	39300600Z	O-ring, 26, 30 in. sand filter	CALL	CALL
18	272528	Top Valve Assy.	CALL	CALL
19	96734200	Label multipoint valve 8 pos.	CALL	CALL

CALIFORNIA PROPOSITION 65 WARNING

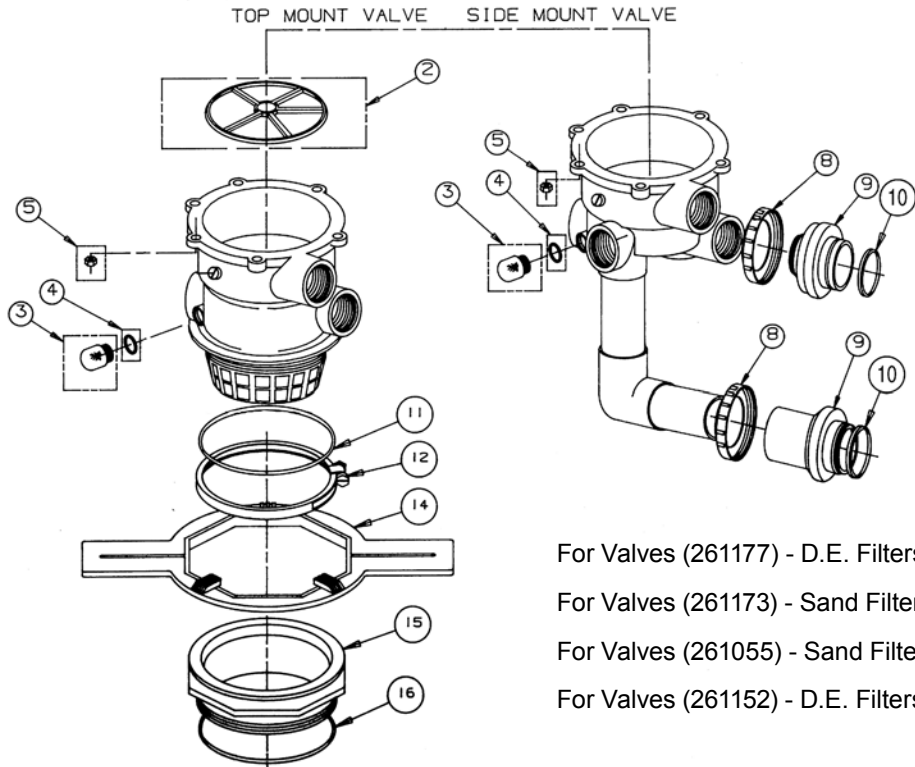
⚠ **WARNING:** Cancer and Reproductive Harm.
 ⚠ **AVERTISSEMENT:** Peut Causer le Cancer et des Dommages au Système Reproducteur.
 ⚠ **ADVERTENCIA:** Cáncer y Daño Reproductivo.
www.p65warnings.ca.gov

TOP MOUNT / SIDE MOUNT VALVES

REPLACEMENT PARTS FOR PACFAB MULTIPOINT VALVES



For use on TR, TA, NS or FNS filters



For Valves (261124, 261185)

For Valves (261177) - D.E. Filters
 For Valves (261173) - Sand Filters
 For Valves (261055) - Sand Filters
 For Valves (261152) - D.E. Filters

CALIFORNIA PROPOSITION 65 WARNING
 ⚠️ WARNING: Cancer and Reproductive Harm.
 ⚠️ AVERTISSEMENT: Peut Causer le Cancer et des Dommages au Système Reproducteur.
 ⚠️ ADVERTENCIA: Cáncer y Daño Reproductivo.
www.p65warnings.ca.gov PH:201714

TOP MOUNT / SIDE MOUNT VALVES (CONT'D)

REPLACEMENT PARTS FOR PACFAB MULTIPORT VALVES

Item	Part No.	Description	US List	Can. List
TM/SM HIFLOW MULTIPORT VALVES				
1	270068	Top valve assy. 1-1/2 in.	300.38	360.94
1	270067	Top valve assy. 2 in.	357.16	429.16
2	271104	Gasket - diverter, 1-1/2 in.	40.15	48.24
2	271148Z	Gasket - diverter, 2 in.	48.67	58.48
3	272550	Sight glass	20.07	24.12
4	271106	Gasket - sight glass	4.49	5.40
5	152167	Nut, M6 s/s, 6 req.	2.29	2.75
6	152168	Screw - M6 x 30mm s/s, 6 req.	3.18	3.82
8	274407	Nut - bulkhead adapter, 2 req.	CALL	CALL
9	274404	Adapter - valve, slip 1-1/2 in.	37.82	45.44
9	274651	Adapter - valve, threaded 1-1/2 in.	20.18	24.25
9	274556	Adapter - valve thread, 2 in.	23.45	28.18
10	274494	O-ring - adapter, 2 req.	CALL	CALL
11	272541	O-ring - valve adapter, 1-1/2 in.	12.35	14.84
11	275333	O-ring - valve, 2 in.	10.50	12.62
12	152165	Clamp with screws and nuts, 1-1/2 in.	37.82	45.44
12	152130	Band assy. - valve, 2 in.	160.36	192.69
14	154512	Wrench - flanged valve, 1-1/2 in.	39.76	47.78
14	151608	Wrench - adapter flange	CALL	CALL
15	155225	Adapter - flanged std. thread, 1-1/2 in.	58.74	70.58
15	152520Z	Adapter - flanged buttress, 1-1/2 in.	166.33	199.86

Item	Part No.	Description	US List	Can. List
15	154521	Adapter - flange buttress thread, 2 in.	104.42	125.47
16	154493	O-ring flanged valve adapter, 1-1/2 in.	8.19	9.84
16	152501	O-ring - adapter, 2 in.	10.14	12.18
17	271156	Handle	50.02	60.10
18	271164	Pin, handle	20.18	24.25
19	271158	Valve top, white, 1-1/2 in.	91.20	109.59
19	271165	Valve top, black, 1-1/2 in.	91.20	109.59
19	271166	Top valve cover, blk, 2 in.	136.68	164.23
19	271169	Top valve cover, blk, 2 in.	136.68	164.23
20	271103	O-ring, valve top, 1-1/2 in.	23.75	28.54
20	271151	O-ring, valve top, 2 in.	29.23	35.12
21	271161	Valve spring	67.69	81.34
22	271163	Valve diverter, 1-1/2 in.	121.69	146.22
22	271168	Valve diverter, 2 in.	136.68	164.23
23	191479	O-ring, stem, 2 req.	2.04	2.45
24	271160	Washer, valve spring	14.79	17.77
25	271157	Washer, handle	14.79	17.77
26	273208	Label 2 in. Sand (261055)	CALL	CALL
26	273207	Label 2 in. D.E. (261152)	CALL	CALL
26	271140	Label 1.5 in. Sand (261173)	CALL	CALL
26	271141	Label 1.5 in. D.E. (261177)	CALL	CALL
26	272035	Label 1.5 in. Sand (261124)	CALL	CALL
26	273211	Label 2 in. Sand (261185)	CALL	CALL

CALIFORNIA PROPOSITION 65 WARNING

⚠ **WARNING:** Cancer and Reproductive Harm.
 ⚠ **AVERTISSEMENT:** Peut Causer le Cancer et des Dommages au Système Reproducteur.
 ⚠ **ADVERTENCIA:** Cáncer y Daño Reproductivo.
www.p65warnings.ca.gov

MULTIPOINT SIDE MOUNT 1-1/2 IN. VALVES

REPLACEMENT PARTS FOR STA-RITE VALVES

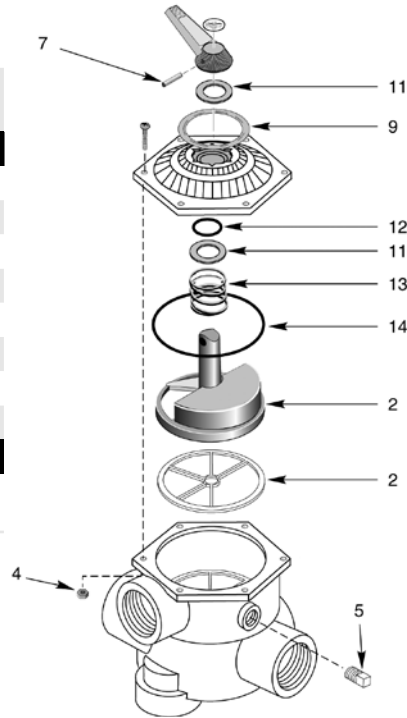


Item	Part No.	Description	US List	Can. List
MULTIPOINT SIDE MOUNT 1-1/2 IN. VALVE				
2	14962-0017	Plug and Gasket	CALL	CALL
4	98211400	Hex Nut, 1/4-20 S.S.	3.93	4.72
5	WC78-40T	Plug, 1/4 in.	5.15	6.19
7	35857-0021	Dowel Pin, 5/16 x 2-1/2 in. S.S.	CALL	CALL
11	14962-0005	Washer	6.06	7.28
12	35505-1228	O-Ring	6.06	7.28
13	14962-0011	Spring	30.78	36.99
14	35505-1272	O-Ring	16.26	19.54
NOT SHOWN				
14962-0035	Spring and O-Ring Kit, Includes Items 11, 12, 13 & 14		64.40	77.38

MODELS

14964-0014 – Hose Connection
 WC212-143P – Union onnection

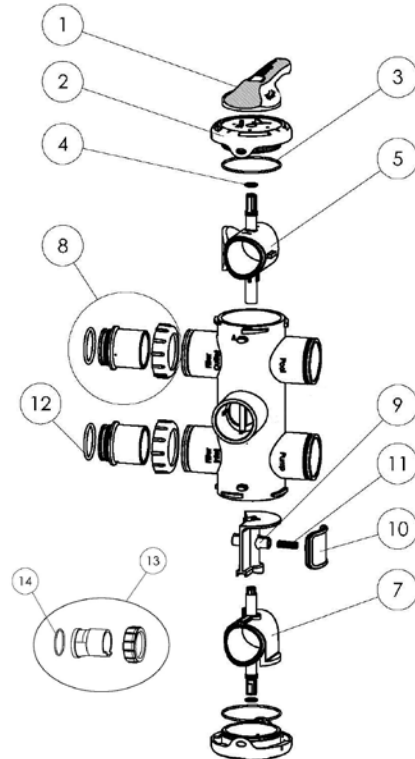
CALIFORNIA PROPOSITION 65 WARNING
 ⚠️ **WARNING:** Cancer and Reproductive Harm.
 ⚠️ **AVERTISSEMENT:** Peut Causer le Cancer et des Dommages au Système Reproducteur.
 ⚠️ **ADVERTENCIA:** Cáncer y Daño Reproductivo.
www.p65warnings.ca.gov



FULLFLOXF® BACKWASH VALVE

REPLACEMENT PARTS FOR VALVES

Item	Part No.	Description	US List	Can. List
FULLFLOXF BACKWASH VALVE				
1	270187Z	Handle	75.26	90.43
2	270190Z	End Cap, 2 Req.	65.27	78.43
3	270197Z	O-Ring #2-244 Buna, 2 Req.	12.04	14.47
4	192039Z	O-Ring #2-116 Buna, 2 Req.	3.90	4.69
5	270199Z	Outlet Diverter	100.38	120.62
7	270200Z	Inlet Diverter	100.38	120.62
8	274426Z	Pentair Union Assembly	75.26	90.43
9	274416Z	Center Diverter	75.26	90.43
10	274417Z	Waste Seal	75.26	90.43
11	274421Z	Waste Seal Spring	17.55	21.09
12	274494	O-Ring #2-332 Buna	CALL	CALL
13	261067Z	Sta-Rite Union Assembly	75.26	90.43
14	U9-362	O-Ring #2-231 Buna	7.67	9.22
NOT SHOWN				
270514Z	Rebuilt Kit includes Item 3 (Qty. 2), Item 4 (Qty. 2), and Items 5, 7, and 10.		250.93	301.52
411101Z	XF Union Kit		150.56	180.91



MULTIPORT SIDE MOUNT 1-1/2 & 2 IN. VALVES

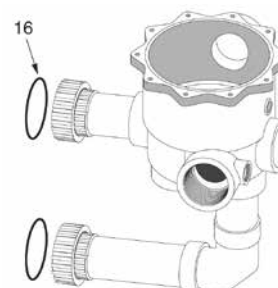
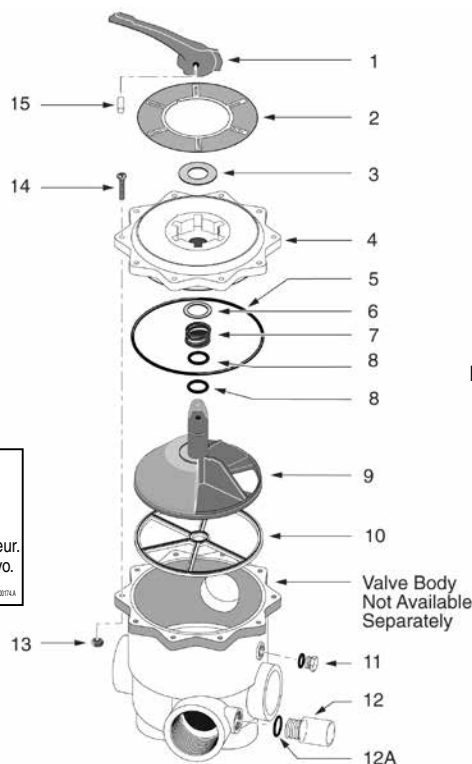
REPLACEMENT PARTS FOR STA-RITE VALVES



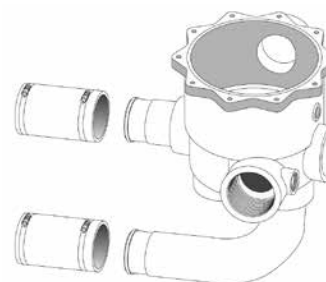
MODELS

- 18202-0150
- 18202-0150H
- 18201-0200
- 18201-0200H
- 18201-0300
- 18202-0250

CALIFORNIA PROPOSITION 65 WARNING
 ⚠️ **WARNING:** Cancer and Reproductive Harm.
 ⚠️ **AVERTISSEMENT:** Peut Causer le Cancer et des Dommages au Système Reproducteur.
 ⚠️ **ADVERTENCIA:** Cáncer y Daño Reproductivo.
www.p65warnings.ca.gov PR 201714



Models 18202-0150, 18201-0200, and 18201-0300 include union halves as shown.



Models 18202-0150H and 18202-0200H require hose connector kits.

Item	Part No.	Description	US List	Can. List
MULTIPORT SIDE MOUNT 1-1/2 & 2 IN. VALVE				
1	14971-SM10E1	Handle	59.20	71.13
2	32155-4136	Label Decal (2 in. Valve) (18201-0200 & 18201-0200H)	CALL	CALL
2	32155-4133	Label Decal (1.5 in. Valve) (18202-0150 & 18202-0150H)	CALL	CALL
2	32155-4171	Label Decal (1.5 in. Valve) (18202-0250)	CALL	CALL
3	14971-SM10E3	Washer	16.92	20.33
4	14971-SM10E6	Valve Cover (1-1/2 in. Valve)	108.09	129.88
4	14971-SM20E6	Valve Cover (2 in. Valve)	91.38	109.80
5	14971-SM20E7	Cover O-Ring (2 in. Valve)	25.15	30.22
6	14971-SM10E8	Washer	16.92	20.33
7	14971-SM10E9	Spring	73.93	88.83
8	14971-SM10E10	O-Ring	15.17	18.23
9	14971-SM10E11	Plug (1-1/2 in. Valve)	99.70	119.80
9	14971-SM20E11	Plug (2 in. Valve)	94.94	114.08
10	14971-SM10E12	Spider Gasket (1-1/2 in. Valve)	30.47	36.61
10	14971-SM20E12	Spider Gasket (2 in. Valve)	66.51	79.92
11	U178-920PZ	1/4 in. NPT Plug w/ O-Ring	7.80	9.37
12	14971-SM10E17	Sight Glass	25.65	30.82
12A	14971-SM10E16	Sight Glass Gasket	9.39	11.28
13	14971-SM10E14	Nut (6 for 1-1/2 in., 10 for 2 in.)	3.98	4.78
14	14971-SM10E4	Bolt (6 for 1-1/2 in., 10 for 2 in.)	5.97	7.17
15	14971-SM10E2	Handle Pin	23.92	28.74
16	U9-362	O-Ring (-0150, -0200 only)	7.67	9.22

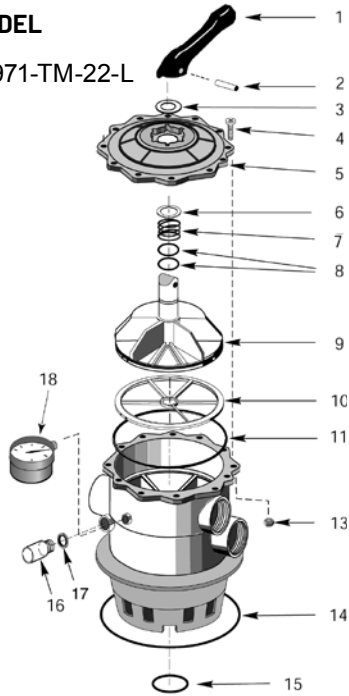
MULTIPOINT 2 IN. VALVES

REPLACEMENT PARTS FOR STA-RITE VALVES



MODEL

14971-TM-22-L



Item	Part No.	Description	US List	Can. List
MULTIPOINT 2 IN. VALVE				
1	14971-SM10E1	Handle (ABS)	59.20	71.13
2	14971-SM10E2	Pin (S.S. 304)	23.92	28.74
3	14971-SM10E3	Washer	16.92	20.33
4	14971-SM10E4	Screw (S.S. 304)	5.97	7.17
5	14971-SM20E6	Valve Cover (ABS)	91.38	109.80
6	14971-SM10E8	Washer	16.92	20.33
7	14971-SM10E9	Spring (S.S. 304)	73.93	88.83
8	14971-SM10E10	O-Ring (Mitrile)	15.17	18.23
9	14971-SM20E11	Plug & Gasket Assembly	94.94	114.08
10	14971-SM20E12	Gasket (Kratom)	66.51	79.92
11	14971-SM20E7	O-Ring, Cover	25.15	30.22
13	14971-SM10E14	Nut, Hex (S.S. 304)	3.98	4.78
14	U9-369	O-Ring, Tank Flange	24.50	29.44
15	35505-1243	O-Ring, Stand Pipe	5.41	6.50
16	14971-SM10E17	Sight Glass	25.65	30.82
17	14971-SM10E16	Sight Glass, Gasket	9.39	11.28
18	15060-0000T	Gauge, Pressure	66.47	79.87
NOT SHOWN				
	14971-SM20E50	Key Assembly Items 1-10	596.23	716.43

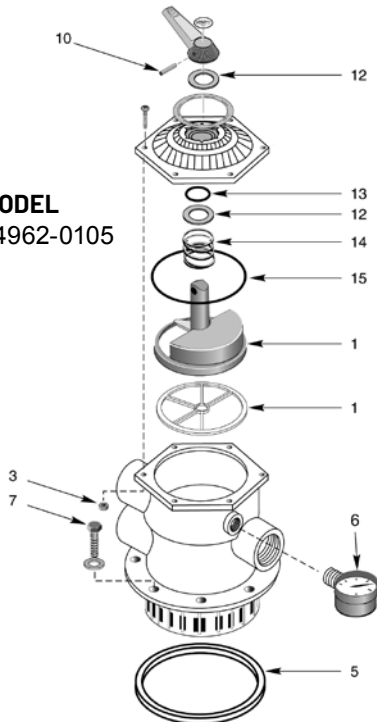
MULTIPOINT TOP MOUNT 1-1/2 IN. VALVES

REPLACEMENT PARTS FOR STA-RITE VALVES



MODEL

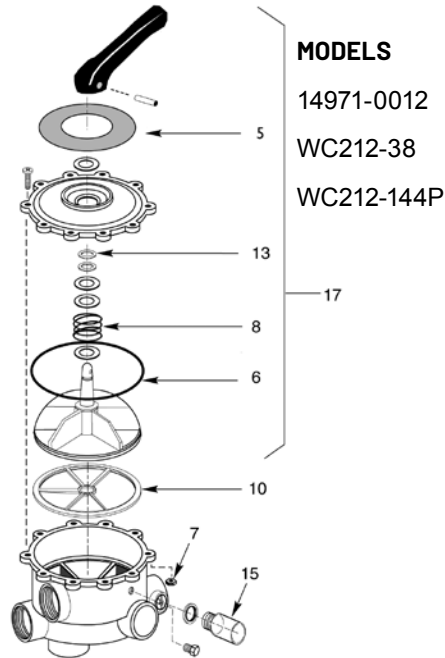
14962-0105



Item	Part No.	Description	US List	Can. List
MULTIPOINT TOP MOUNT 1-1/2 IN. VALVE				
1	14962-0017	Plug with Gasket	CALL	CALL
3	98211400	Hex Nut, 1/4-20 S.S.	3.93	4.72
5	14962-0021	Square Ring, BUNA-N	31.39	37.72
6	15060-0000T	Pressure Gauge - 0-60 PSI	66.47	79.87
7	U30-74SS	Bolt, 3/8-16 x 1 in. S.S.	6.76	8.12
10	35857-0021	Dowel Pin, 5/16 x 2-1/2 in. S.S.	CALL	CALL
12	14962-0005	Washer, Celcon	6.06	7.28
13	35505-1228	O-Ring, Parker #2-216, BUNA-N	6.06	7.28
14	14962-0011	Spring, Compression	30.78	36.99
15	35505-1272	O-Ring, Parker #2-255	16.26	19.54
NOT SHOWN				
	14962-0035	Spring and O-ring Kit, includes items 12, 13, 14 & 15	64.40	77.38

MULTIPOINT SIDE MOUNT 2 IN. VALVE PLUG & GASKET KIT

REPLACEMENT PARTS FOR STA-RITE VALVES



MODELS

14971-0012

WC212-38

WC212-144P

Item	Part No.	Description	US List	Can. List
MULTIPOINT 2 IN. VALVE PLUG & GASKET KIT				
5	60000-0706	Label	CALL	CALL
6	35505-1412	O-Ring ¹	68.33	82.11
7	35407-0071	Nut, 1/4 -20 S.S.	7.61	9.14
8	14971-0006	Spring ¹	138.71	166.67
10	14971-0005	Gasket, Valve Seat	132.75	159.51
13	57006800	O-Ring ¹	2.81	3.38
15	14971-0009	Sight Glass	44.22	53.13
17	77704-0100	Cover and Plug Assembly Kit, includes items 5 & 9	CALL	CALL

¹ Kit includes 2 hoses, 4 clamps.

CALIFORNIA PROPOSITION 65 WARNING

⚠ **WARNING:** Cancer and Reproductive Harm.
 ⚠ **AVERTISSEMENT:** Peut Causer le Cancer et des Dommages au Système Reproducteur.
 ⚠ **ADVERTENCIA:** Cáncer y Daño Reproductivo.
www.p65warnings.ca.gov

FULLFLOW® VALVES

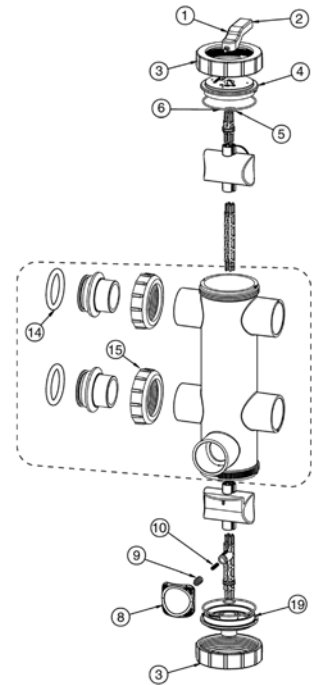
REPLACEMENT PARTS

Item	Part No.	Description	US List	Can. List
FULLFLOW VALVES				
1	278006	Handle	CALL	CALL
2	072536	Screw	CALL	CALL
3	278020	Cap, nut, 2 req.	CALL	CALL
4	278021	Cap, insert - top.	CALL	CALL
5	192039Z	O-ring #2-116 Bunan, 2 req.	3.90	4.69
6	275300	O-ring #2-154 Bunan 70, 2 req.	0.87	1.05
8	278019	Seal, waste.	CALL	CALL
9	271065	Spring, .42 o. d..	6.26	7.52
10	270006	Spring, .24 o. d..	9.97	11.98
14	274494	O-ring, adapter, 2 req.	CALL	CALL
15	274440	Nut, adapter, 2 req. ¹	25.43	30.56
19	278022	Cap insert, bottom	CALL	CALL
20	270011	Shaft Assembly	CALL	CALL

¹ Items may not be purchased separately, order item #20, Shaft Assy.

CALIFORNIA PROPOSITION 65 WARNING

⚠ **WARNING:** Cancer and Reproductive Harm.
 ⚠ **AVERTISSEMENT:** Peut Causer le Cancer et des Dommages au Système Reproducteur.
 ⚠ **ADVERTENCIA:** Cáncer y Daño Reproductivo.
www.p65warnings.ca.gov



FullFlow D. E. Valve
 263011
 7-1.2 in. Centerline
 Filters

PUSH PULL™ VALVE

REPLACEMENT PARTS FOR AMERICAN VALVES

Item	Part No.	Description	US List	Can. List
PUSH PULL VALVES				
1	51013811	Valve stem complete, w/ handle	CALL	CALL
2	51013011	Nut	41.53	49.90
3	51013500	O-ring, nut	9.64	11.58
4	51013111	Reducer bushing, 2 in. male x 1-1/2 in.	40.29	48.41
5	6020006	O-ring, cap	0.05	0.06
6	51012911	Cap	CALL	CALL
8	51005000	O-ring, valve stem, 2 in., 2 req.	10.70	12.86
9	273062	O-ring, bulkhead, 8 in. model only	2.47	2.97
10	51013500	O-ring, bulkhead, 8 in. model only	9.64	11.58
11	274494	O-ring, bulkhead, 7-1/2 in. model only	CALL	CALL

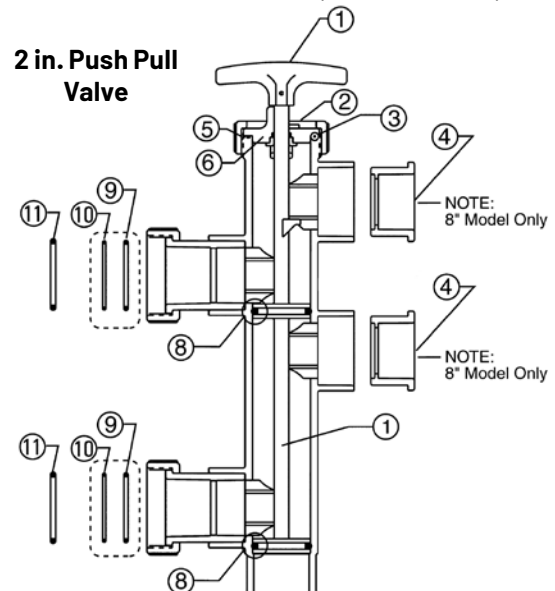
Both items 9 and 10 are included in the kit for multiple applications. Choose only the one set appropriate for your application.

CALIFORNIA PROPOSITION 65 WARNING

⚠ **WARNING:** Cancer and Reproductive Harm.
 ⚠ **AVERTISSEMENT:** Peut Causer le Cancer et des Dommages au Système Reproducteur.
 ⚠ **ADVERTENCIA:** Cáncer y Daño Reproductivo.
www.p65warnings.ca.gov

MODELS

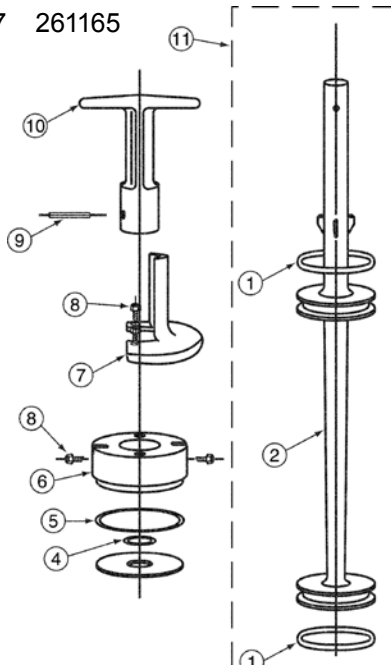
263064 (7-1/2 in. centerline)
 50290211 (8 in. centerline)



2 IN. PVC SLIDE VALVE

REPLACEMENT PARTS FOR SLIDE VALVES

MODELS
261047 261165

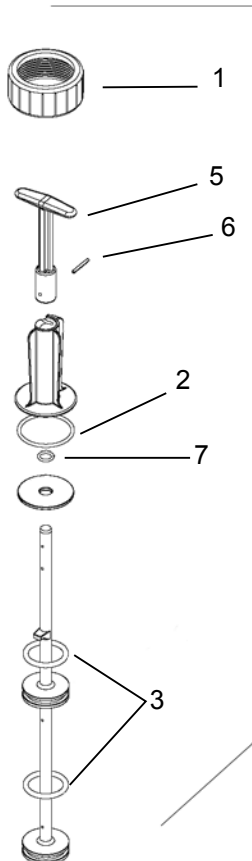


Item	Part No.	Description	US List	Can. List
2 IN. PVC SLIDE VALVE				
1	273090	O-ring - 1-1/2 in. i.d. x 3/16 in. dia., 2 req.	4.05	4.87
2	273106	Piston Shaft	157.56	189.32
4	JV18	O-ring Kit	1.65	1.98
5	273062	O-ring - 2-1/8 in. i. d. x 1/8 in. dia.	2.47	2.97
6	273077	Plug - 5/8 in. i.d. x 2-3/8 in. o.d.	9.18	11.03
7	273064	Position Bracket	49.21	59.13
8	273071	Screw - #14 - 18-8 s/s, 4 req.	2.65	3.18
9	273063	Pin - 1/8 in. dia. x 1-1/8 in. long s/s.	4.49	5.40
10	273089	Handle for plastic shaft - 5/8 in. i.d.	26.15	31.42
11	273241Z	Piston rod assy.	147.98	177.81
NOT SHOWN				
	154566	Sight glass - 2 in. clear	23.07	27.72

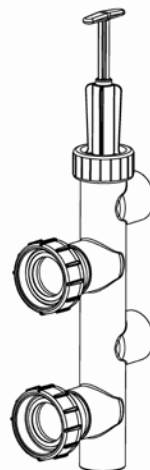
CALIFORNIA PROPOSITION 65 WARNING
 ⚠️ **WARNING:** Cancer and Reproductive Harm.
 ⚠️ **AVERTISSEMENT:** Peut Causer le Cancer et des Dommages au Système Reproducteur.
 ⚠️ **ADVERTENCIA:** Cáncer y Daño Reproductivo.
www.p65warnings.ca.gov P19-2021714

SLIDE VALVES

REPLACEMENT PARTS FOR SLIDE VALVES



MODELS
263064
263052 263078
263053 263079



263053

Item	Part No.	Description	US List	Can. List
SLIDE VALVE				
1	270141	Nut, Black SF PMP/VLV PSHPL	30.10	36.17
2	273062	O-ring	2.47	2.97
3	51005000	O-ring	10.70	12.86
4	263055	Kit, Piston Shaft Assembly	162.95	195.80
5	270134	Handle	26.16	31.43
6	273063	Pin	4.49	5.40
7	6020006	O-ring	0.05	0.06
NOT SHOWN				
	263054	Kit, O-rings. Includes all valve O-rings.	32.18	38.67

CALIFORNIA PROPOSITION 65 WARNING
 ⚠️ **WARNING:** Cancer and Reproductive Harm.
 ⚠️ **AVERTISSEMENT:** Peut Causer le Cancer et des Dommages au Système Reproducteur.
 ⚠️ **ADVERTENCIA:** Cáncer y Daño Reproductivo.
www.p65warnings.ca.gov P19-2021714

Product on pages 306 and 308.

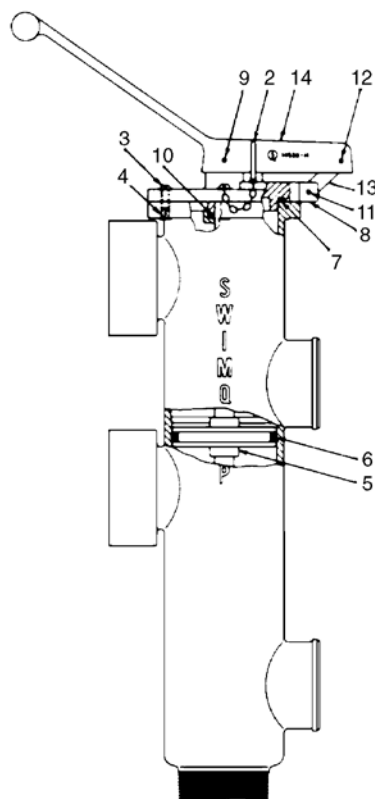
PLASTIC SLIDE VALVE

REPLACEMENT PARTS FOR STA-RITE PLASTIC SLIDE VALVE


MODEL

WC212-134P

14936-0000



Item	Part No.	Description	US List	Can. List
PLASTIC SLIDE VALVE				
2	WC30-84	Lock Pin Assembly	23.92	28.74
3	37107-0085	Screw	6.74	8.10
4	34302-0518	Brass Insert	3.93	4.72
5	14930-0033	Piston Assembly	CALL	CALL
6	35505-1318	O-Ring	7.86	9.44
7	35505-1246	O-Ring	6.74	8.10
8	14930-0012	Index Plate	48.67	58.48
9	51009500	Spring Pin	CALL	CALL
10	35505-1116	O-Ring	6.06	7.28
11	51009500	Spring Pin	CALL	CALL
12	35817-0056	Spring Pin	6.74	8.10
13	14930-0016	Lever Linkage	6.20	7.45
14	14930-0014	Handle	149.95	180.18

CALIFORNIA PROPOSITION 65 WARNING

⚠ **WARNING:** Cancer and Reproductive Harm.
 ⚠ **AVERTISSEMENT:** Peut Causer le Cancer
 et des Dommages au Système Reproducteur.
 ⚠ **ADVERTENCIA:** Cáncer y Daño Reproductivo.
www.p65warnings.ca.gov

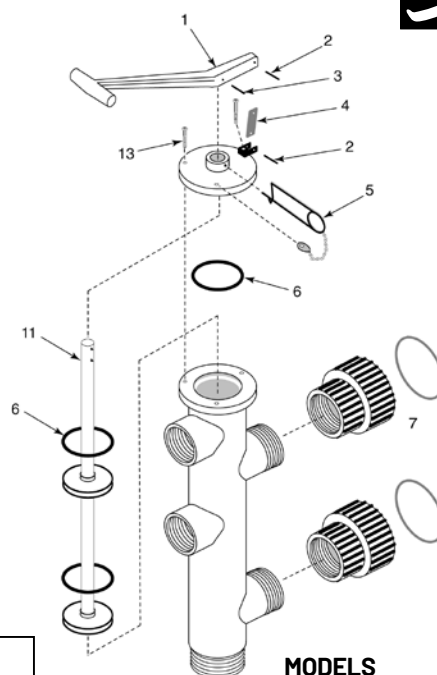
P650174A

BRONZE VALVES

REPLACEMENT PARTS FOR STA-RITE VALVES



Item	Part No.	Description	US List	Can. List
BRONZE VALVE				
1	14821-0005	Lever Handle	98.55	118.42
2	35817-0056	Spring Pin	6.74	8.10
3	51009500	Spring Pin	CALL	CALL
4	14821-0008	Linkage	13.45	16.16
5	WC30-84	Lock Pin Assembly	23.92	28.74
6	35505-1401	O-Ring	8.39	10.08
7	77703-0100	Union Kit	71.48	85.89
8	38405-4089	Union Adapter	CALL	CALL
11	14819-0011	Piston Assembly, 1-1/2 in.	237.53	285.42
11	14823-0011	Piston Assembly, 2 in.	269.64	324.00
13	37062-0130	Screw	6.74	8.10
NOT SHOWN				
	35505-1116	O-Ring	6.06	7.28



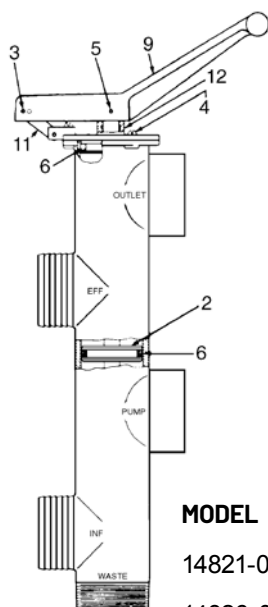
MODELS

WC212-135D – 1-1/2 in.
WC212-136D – 2 in.

CALIFORNIA PROPOSITION 65 WARNING
 ⚠️ **WARNING:** Cancer and Reproductive Harm.
 ⚠️ **AVERTISSEMENT:** Peut Causer le Cancer et des Dommages au Système Reproducteur.
 ⚠️ **ADVERTENCIA:** Cáncer y Daño Reproductivo.
www.p65warnings.ca.gov

BRONZE SLIDE VALVES

REPLACEMENT PARTS FOR STA-RITE VALVES



MODEL

14821-0000 – 1-1/2 in.
14826-0000 – 2 in.

Item	Part No.	Description	US List	Can. List
BRONZE SLIDE VALVE				
2	14819-0011	Piston Assembly with O-Rings	237.53	285.42
3	35817-0056	Spring Pin	6.74	8.10
4	37062-0130	Screw	6.74	8.10
5	51009500	Spring Pin	CALL	CALL
6	35505-1401	O-Ring (Model 14821-6000)	8.39	10.08
6	35505-1313	O-Ring	7.17	8.62
9	14821-0005	Level Handle	98.55	118.42
11	14821-0008	Linkage	13.45	16.16
12	35505-1116	O-Ring	6.06	7.28

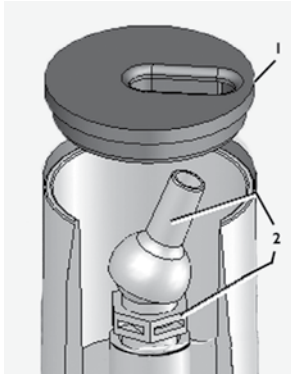
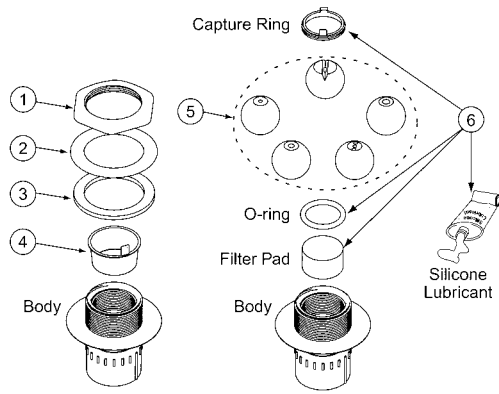
CALIFORNIA PROPOSITION 65 WARNING
 ⚠️ **WARNING:** Cancer and Reproductive Harm.
 ⚠️ **AVERTISSEMENT:** Peut Causer le Cancer et des Dommages au Système Reproducteur.
 ⚠️ **ADVERTENCIA:** Cáncer y Daño Reproductivo.
www.p65warnings.ca.gov

WATER FEATURES PARTS

Product Catalog 2024

DECK JET & MAGICSTREAM® DECK JET II

REPLACEMENT PARTS



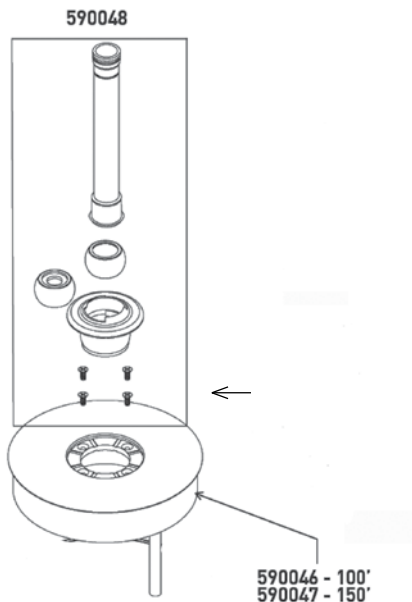
Item	Part No.	Description	US List	Can. List
DECK JET				
1	87200800	Fitting nut, sealing liner 2 in.	11.02	13.24
2	87200700	Friction ring, SIF	10.15	12.20
3	87201200	Gasket TH-AGF 3.5 in. OD x 2-3/8 in. ID	12.04	14.47
4	590005	Plug, Gunite Shield, L20	7.02	8.44
5	590010	Eyeball kit includes installation card	208.76	250.85
6	590011	Accessory kit includes Capture ring, 2 qty.; O-ring, 3 qty.; Filter Pad, 2 qty., Silicone Lubricant, 1 qty.	34.78	41.79

Item	Part No.	Description	US List	Can. List
MAGICSTREAM DECK JET II				
1	590042	MagicStream Deck Jet II cover, bronze color, each	92.10	110.67
1	590150	MagicStream Deck Jet II cover, tan color each, each	33.62	40.40
2	590041	MagicStream Deck Jet II Nozzle Kit (Includes nozzle base and nozzle swivel, set of 4)	180.49	216.88

Product on page 315.

COLORCASCADE LED LIGHT BUBBLER

REPLACEMENT PARTS



Item	Part No.	Description	US List	Can. List
COLORCASCADE LED LIGHT BUBBLER				
1	590046	LED Bubbler replacement light engine with 100 ft. cord	CALL	CALL
2	590047	LED Bubbler replacement light engine with 150 ft. cord	CALL	CALL
3	590048	Accessory Kit	CALL	CALL

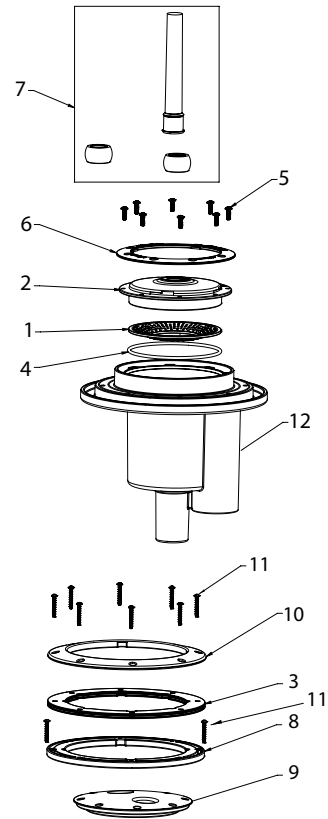
CALIFORNIA PROPOSITION 65 WARNING

⚠ **WARNING:** Cancer and Reproductive Harm.
 ⚠ **AVERTISSEMENT:** Peut Causer le Cancer et des Dommages au Système Reproducteur.
 ⚠ **ADVERTENCIA:** Cáncer y Daño Reproductivo.

www.p65warnings.ca.gov. PR32016A

COLORVISION BUBBLER REPLACEMENT PARTS

Item	Part No.	Description	US List	Can. List
COLORVISION LED LIGHT BUBBLER				
1	590103Z	Diffuser	17.54	21.08
2	590104Z	Lens w/ O-Ring	35.08	42.15
3	590107Z	Gasket Kit, 3 Gaskets	48.25	57.98
4	590118Z	O-Ring	13.15	15.80
5	590119Z	Screw Kit Lens	17.54	21.08
6	590105Z	Color Ring - White	21.94	26.36
6	590128Z	Color Ring - Blue	21.94	26.36
6	590127Z	Color Ring - Gray	21.94	26.36
6	590129Z	Color Ring - Tan	21.94	26.36
6	590130Z	Color Ring - Black	21.94	26.36
7	590135	Eyeball Assy Kit	39.46	47.42
8	590109Z	Vinyl Spacer	26.33	31.64
9	590102Z	Gunite Cover w/ O-Ring	30.67	36.85
10	590106Z	Vinyl/Fiberglass Ring - White	30.67	36.85
10	590132Z	Vinyl/Fiberglass Ring - Blue	30.67	36.85
10	590131Z	Vinyl/Fiberglass Ring - Gray	30.67	36.85
10	590133Z	Vinyl/Fiberglass Ring - Tan	30.67	36.85
10	590134Z	Vinyl/Fiberglass Ring - Black	30.67	36.85
11	590121Z	Screw Kit Vinyl/Fiberglass Ring	21.94	26.36
12	590147Z	Niche	175.40	210.76
NOT SHOWN				
580067		Complete Accessory Kit for Vinyl/Fiberglass Bubbler (includes items 1, 2, 3, 4, 5, 6, 7, 8, 9, 10 & 11)	175.24	210.57
580068		Complete Accessory Kit for Gunite Bubbler (includes items 1, 2, 4, 5, 6, 7 & 9)	77.89	93.59



CALIFORNIA PROPOSITION 65 WARNING
 ⚠️ **WARNING:** Cancer and Reproductive Harm.
 ⚠️ **AVERTISSEMENT:** Peut Causer le Cancer et des Dommages au Système Reproducteur.
 ⚠️ **ADVERTENCIA:** Cáncer y Daño Reproductivo.
www.p65warnings.ca.gov PR201714

MAGICFLAME®

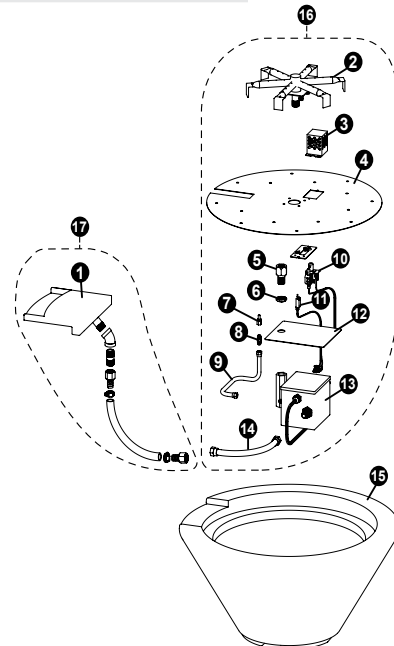
FIRE AND WATER BOWL REPLACEMENT PARTS

Item	Part No.	Description	US List	Can List
MAGICFLAME				
1	590293	Spillway (Square, Water Only)	CALL	CALL
1	590294	Spillway (Round, Water Only)	CALL	CALL
1	590295	Spillway (Square, Fire/Water)	CALL	CALL
1	590296	Spillway (Round, Fire/Water)	CALL	CALL
2	590283	Burner	CALL	CALL
3	590303	Pilot Hood	CALL	CALL
4	590301	Support Plate (Square, Fire Only)	CALL	CALL
4	590302	Support Plate (Round, Fire Only)	CALL	CALL
4	590292	Support Plate (Square, Fire/Water)	CALL	CALL
4	590284	Support Plate (Round, Fire/Water)	CALL	CALL
5	See Table to Side	Burner Orifice	CALL	CALL
6	590286	Jam Nut	CALL	CALL
7	590279	Pilot Orifice, Propane	CALL	CALL
7	590281	Pilot Orifice, Natural Gas	CALL	CALL
8	590305	Flare Fitting	CALL	CALL
9	590287	Pilot Hose	CALL	CALL
10	590276	Igniter	CALL	CALL
11	590277	Flame Sensor	CALL	CALL
12	590285	Heat Shield	CALL	CALL
13	590278	Control Box	CALL	CALL
14	590288	Burner Hose w/ Flare Fitting	CALL	CALL
15	See Table to Side	Bowl	CALL	CALL
16	590334	Burner Assembly (Round, Fire Only)	CALL	CALL
16	590335	Burner Assembly (Square, Fire Only)	CALL	CALL
16	590336	Burner Assembly (Round, Fire/Water)	CALL	CALL
16	590337	Burner Assembly (Square, Fire/Water)	CALL	CALL
17	590324	Waterline Assembly	CALL	CALL
NOT SHOWN				
	590275	Pilot/Igniter Assembly (includes items 3, 10 and 11)	CALL	CALL
	See Table to Side	Paint Repair Kit	CALL	CALL
	See Table to Side	Fire Media	CALL	CALL
	590289	Winterizing Cover, Round	CALL	CALL
	590290	Winterizing Cover, Square	CALL	CALL
	590291	Mounting Hardware Kit	CALL	CALL

INSTALL ELEVATION	PROPANE	NATURAL GAS
REPLACEMENT BURNER ORIFICES (ITEM #5)		
<4000 ft./[<1219 m]	590280	590282
4000–6000 ft./[1219–1829 m]	590318	590321
6000–8000 ft./[1829–2438 m]	590319	590322
8000–10000 ft./[2438–3048 m]	590320	590323

FIRE/WATER BOWLS		FIRE ONLY BOWLS	
REPLACEMENT BOWLS (ITEM #15)			
Bronze, Round	580205	Bronze, Round	580195
Pewter, Round	580206	Pewter, Round	580196
Natural, Round	580207	Natural, Round	580197
White, Round	580208	White, Round	580198
Black, Round	580209	Black, Round	580199
Bronze, Square	580210	Bronze, Square	580200
Pewter, Square	580211	Pewter, Square	580201
Natural, Square	580212	Natural, Square	580202
White, Square	580213	White, Square	580203
Black, Square	580214	Black, Square	580204

MEDIA TYPE	P/N	Color	KIT P/N
FIRE MEDIA OPTIONS		PAINT REPAIR KITS	
Lava Rock, 3/4"	590267	Bronze	590307
Lava Rock, Tumbled	590268	Pewter	590308
Fire Glass, Black	590269	Natural	590309
Fire Glass, Clear	590270	White	590310
Fire Glass, Brown	590271	Black	590311
Fire Glass, Dark Blue	590272		
Fire Glass, Light Blue	590273		
Fire Glass, Gold	590274		



CALIFORNIA PROPOSITION 65 WARNING
 ⚠️ **WARNING:** Cancer and Reproductive Harm.
 ⚠️ **AVERTISSEMENT:** Peut Causer le Cancer et des Dommages au Système Reproducteur.
 ⚠️ **ADVERTENCIA:** Cáncer y Daño Reproductivo.
www.p65warnings.ca.gov P/N 282154

MAGICSTREAM® LAMINARS

REPLACEMENT PARTS



Item	Part No.	Description	US List	Can List
MAGICSTREAM LAMINARS				
1	590021	Laminar LED light engine w/ Laminar Body (complete) - 100 ft. cord	1739.20	2089.82
1	590123	Laminar LED light engine w/Laminar Body (complete) - 150ft. cord	1837.85	2208.36
4	590024	Laminar housing, no cover	605.58	727.66
5	590025	Laminar cover black ² , with collar	333.02	400.16
6	590026	Laminar cover gray ² , with collar	333.02	400.16
7	590027	Laminar cover tan ² , with collar	333.02	400.16
8	590028	Laminar screen kit	181.57	218.17
9	590029	Laminar union nut kit	114.71	137.84
10	590030	Laminar bracket kit	160.59	192.96
12	590032	Laminar orifice kit	183.57	220.58
NOT SHOWN				
	590031	Laminar hardware kit (all screws and O-rings)	91.79	110.29
	590100	Laminar water line union kit	31.36	37.68

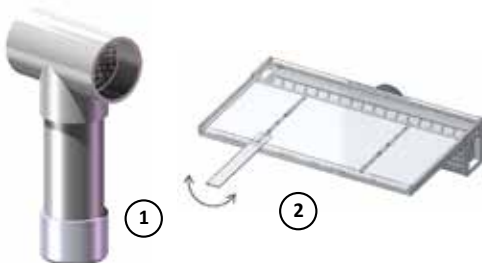
² Includes 1 Matching Trim Ring for Deck Housing.

CALIFORNIA PROPOSITION 65 WARNING
 ⚠️ **WARNING:** Cancer and Reproductive Harm.
 ⚠️ **AVERTISSEMENT:** Peut Causer le Cancer et des Dommages au Système Reproducteur.
 ⚠️ **ADVERTENCIA:** Cáncer y Daño Reproductivo.
www.p65warnings.ca.gov

Product on page 314.

WATERFALL

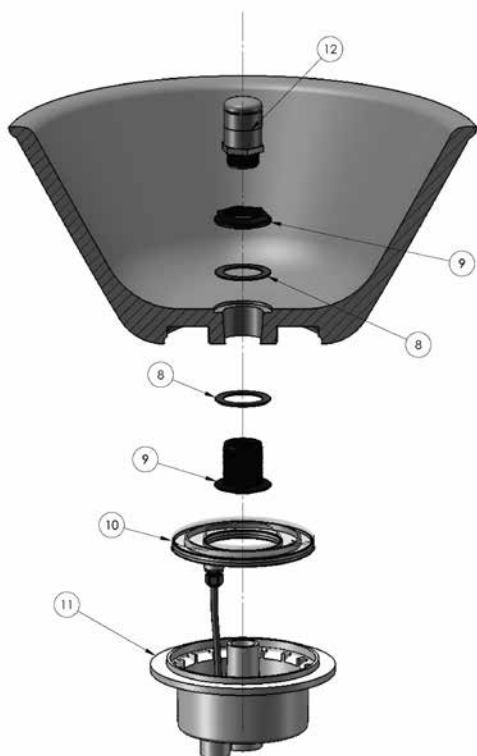
REPLACEMENT PARTS



Item	Part No.	Description	US List	Can. List
WATERFALL				
1	580004	Rocktrap	CALL	CALL
2	2313	Internal Support Extractor Tool	6.38	7.67

CALIFORNIA PROPOSITION 65 WARNING
 ⚠️ **WARNING:** Cancer and Reproductive Harm.
 ⚠️ **AVERTISSEMENT:** Peut Causer le Cancer et des Dommages au Système Reproducteur.
 ⚠️ **ADVERTENCIA:** Cáncer y Daño Reproductivo.
www.p65warnings.ca.gov

MAGICBOWL® WATER EFFECTS REPLACEMENT PARTS



Item	Part No.	Description	US List	Can.List
MAGICBOWL				
8	590158	Gasket, Pack Black	43.87	52.71
8	590242	Gasket, Pack Clear	59.94	72.02
9	590159	Nut & Bulkhead, Black	150.47	180.80
9	590245	Nut & Bulkhead, Clear	159.80	192.02
10	580065	100' LED Light Engine	1206.01	1449.14
10	580066	150' LED Light Engine	1425.28	1712.62
11	590157	Niche	219.28	263.49
12	590174	Spout, Copper	153.47	184.41
12	590175	Spout, Bronze	153.47	184.41
12	590176	Spout, Pewter	153.47	184.41
12	590177	Spout, Brass	153.47	184.41
12	590178	Spout, White	CALL	CALL
12	590179	Spout, Gray	153.47	184.41
12	590180	Spout, Natural	153.47	184.41
12	590230	Spout, Black	150.48	180.82
12	590233	Spout, Clear	150.47	180.80
NOT SHOWN				
	590188	2" SS metal lip extension, square resin bowl	CALL	CALL
	590189	2" SS metal lip extension, round resin bowl	CALL	CALL
	590254	2" clear plastic lip extension, round resin bowl	CALL	CALL
	590255	2" clear plastic lip extension, square resin bowl	CALL	CALL
	590256	2" clear plastic lip extension, square glass bowl	CALL	CALL
	590246	2" clear plastic lip extension, round glass bowl	CALL	CALL
	580057	Cover, Round	CALL	CALL
	580058	Cover, Square	CALL	CALL
	590238	Spacer, 1/2" clear	59.94	72.02

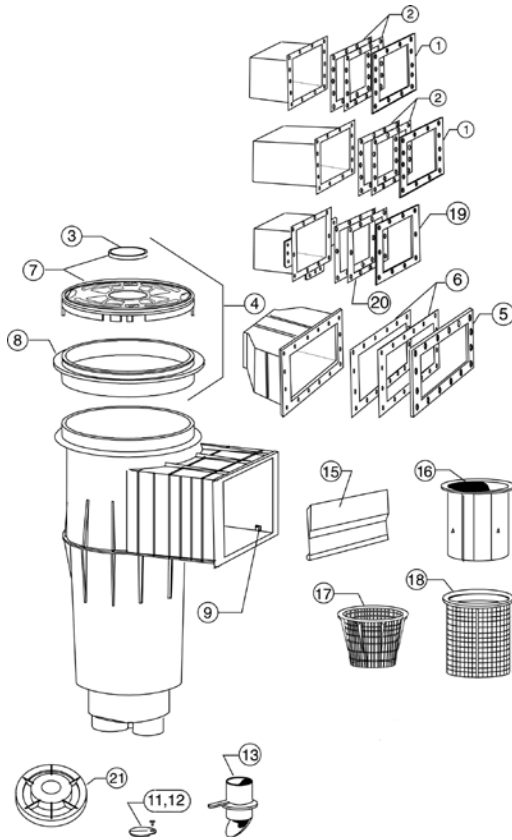
CALIFORNIA PROPOSITION 65 WARNING
 ⚠️ **WARNING:** Cancer and Reproductive Harm.
 ⚠️ **AVERTISSEMENT:** Peut Causer le Cancer et des Dommages au Système Reproducteur.
 ⚠️ **ADVERTENCIA:** Cáncer y Daño Reproductivo.
www.p65warnings.ca.gov P65-200714

WHITE GOODS PARTS

Product Catalog 2024

ADMIRAL™ SKIMMERS

REPLACEMENT PARTS



Item	Part No.	Description	US List	Can. List
ADMIRAL SKIMMERS				
1	85004200	Frame, sealing liner, white std. 12 hole pattern	32.07	38.54
1	85004211	Frame, sealing liner, black std. 12 hole pattern	32.07	38.54
1	85004213	Frame, sealing liner, gray std. 12 hole pattern	32.07	38.54
2	85001600	Gasket set, liner, std. 12 hole pattern	45.74	54.96
3	510161	Disk, logo	7.79	9.36
4	85000400	Lid/ring seat, complete, white	71.59	86.02
4	85000411	Lid/ring seat, complete, black	60.10	72.22
4	85018000	Lid/ring seat, complete, tan	93.00	111.75
5	85007600	Frame, sealing liner, wide mouth, white	CALL	CALL
6	85007700	Gasket, sealing liner, wide mouth (2), white	59.85	71.92
7	85007400Z	Lock down lid, white	54.52	65.51
7	85007411	Lock down lid, black	40.35	48.48
7	85007413	Lock down lid, gray	39.98	48.04
7	85007430	Lock down lid, tan	49.19	59.11
8	85000600	Ring seat only, 9 in. diameter, white	23.69	28.47
8	85017900	Ring seat only, 9 in. tan	30.22	36.31
9	85017500	Pivot tab for flap weir	1.86	2.23

Item	Part No.	Description	US List	Can. List
11	85002400	Trimmer valve plate, residential	8.36	10.05
12	98204400	Screw for trimmer plate, 10-24 x 1/2 in.	3.68	4.42
13	85002600	Vari-flo control insert only	18.10	21.75
15	85001500	Flap weir	45.74	54.96
16	R38013B	Floating weir, circular	24.96	29.99
17	85014500	Basket, tapered	38.33	46.06
17	85014600	Basket, tapered (S-20 Model Only)	20.70	24.87
18	R38013AZ	Basket, for floating weir	37.97	45.62
19	85000300	Frame, liner, American 10 hole pattern	76.54	91.97
20	81111800	Gasket set, large 10 hole pattern, w/ dbl. wall	24.33	29.23
20	81111700	Gasket set, large 10 hole pattern, w/o dbl. wall	24.33	29.23
21	85015200	Equalizer assembly	71.23	85.59
NOT SHOWN				
	98202600	Screw, sealing ¹	CALL	CALL
	98202700	Screw, sealing ¹	CALL	CALL
	98202900	Screw, sealing ²	2.93	3.52
	98207200	Screw, sealing ²	CALL	CALL
	98203000	Screw ²	3.43	4.12
	85008500	Screw kit, American 10 hole pattern	CALL	CALL
	85008600	Screw kit, American 10 hole pattern, extra long	32.31	38.82
	85008700	Screw kit, std. 12 hole pattern	32.31	38.82
	85008800	Screw kit, std. 12 hole pattern, extra long	32.31	38.82
	85015100	O-ring, skimmer bottom	12.84	15.43
	355330	O-ring, equalizer	2.73	3.28
	85016600Z	Rubber stopper, flap weir	8.33	10.01
	98213000	Screw, 8-32 x 5/8 in. commercial lid	2.94	3.53
	98208500	Washer, gum commercial lid	3.06	3.68
	85014700	Handle, basket	8.28	9.95
	85007200	Angle bracket	CALL	CALL
	85012800	Track-VF skimmer	CALL	CALL
	85014200	Trimmer, equalizer	CALL	CALL
	85009500	Skimmer Lid (Old Style)	42.60	51.19

¹ Used on skimmers manufactured before 2-1-76.

² Used on skimmers manufactured after 2-1-76.

CALIFORNIA PROPOSITION 65 WARNING

⚠ **WARNING:** Cancer and Reproductive Harm.
 ⚠ **AVERTISSEMENT:** Peut Causer le Cancer et des Dommages au Système Reproducteur.
 ⚠ **ADVERTENCIA:** Cáncer y Daño Reproductivo.

www.p65warnings.ca.gov. PH02071A

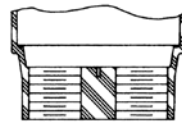
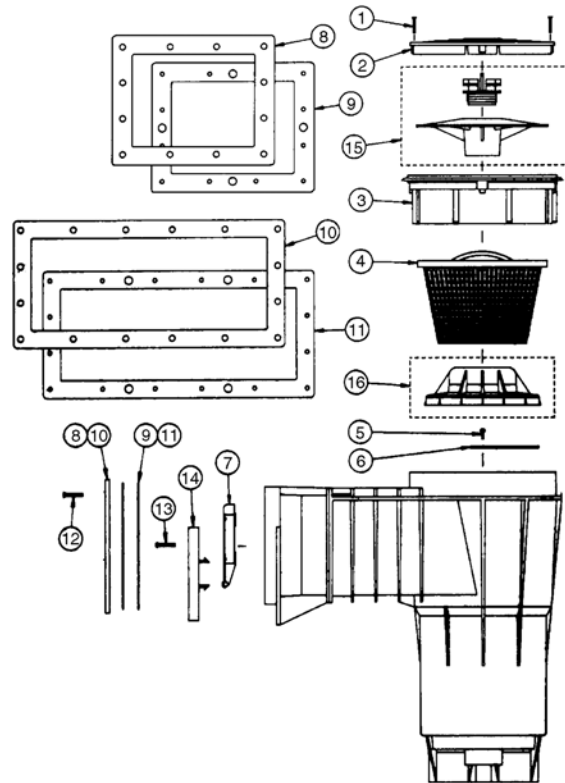
Product on pages 324–325.

Replacement baskets on page 194.

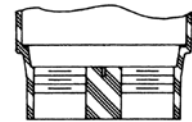
BERMUDA™ SKIMMERS

REPLACEMENT PARTS FOR GUNITE & VINYL LINER SKIMMERS

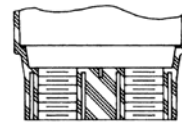
Item	Part No.	Description	US List	Can. List
BERMUDA SKIMMERS				
1	516242	Screw, No.8-32 x 1 in. SS, 2 req.	2.09	2.51
2	516215	Deck lid, white	40.35	48.48
2	516216	Deck lid, tan	40.35	48.48
2	516306	Deck lid, black	40.35	48.48
3	516259	Deck collar, vinyl, white	44.57	53.56
3	516260	Deck collar, vinyl, tan	47.68	57.29
3	516307	Deck collar, vinyl, black	53.83	64.68
3	516253	Deck collar, gunite, white	35.63	42.81
3	516258	Deck collar, gunite, tan	41.60	49.99
3	516329	Deck collar, gunite, black	45.54	54.72
4	516112Z	Basket	43.86	52.70
5	516243	Screw, No.8 x 1/2 in. SS	0.49	0.59
6	516228	Trimmer plate	8.36	10.05
7	516252Z	Weir gate assembly, white	33.03	39.69
7	516315	Weir gate assembly, black	36.88	44.32
8	516264	Face plate kit, standard throat, white	132.75	159.51
8	516324	Face plate kit, standard throat, black	98.10	117.88
9	552566	Gasket, standard throat, 2 req.	11.04	13.27
10	516265	Face plate kit, widemouth throat, white	132.27	158.94
10	516318	Face plate widemouth, black	141.09	169.53
11	516231	Gasket, widemouth throat, 2 req.	17.22	20.69
12	516345	Screw, No.12-8 x 1-1/4 in. SS, std. face plate	CALL	CALL
13	516241	Screw, No.12-8 x 1-1/4 in. SS, 4 req.	8.36	10.05
14	516237	Flange spacer, 3 req.	8.36	10.05
OPTIONS				
15	506161	Vacuum plate assembly	36.20	43.50
16	506160	Float valve assembly	95.09	114.26
16	195829	2 in. O-ring style plug	12.84	15.43
16	192323	2 in. O-ring for 195829 plug	9.73	11.69
16	191474	1-1/2 in. O-ring for 191368 plug	1.36	1.63
16	506162	Equalizer valve assembly	73.14	87.89
NOT SHOWN				
	516254	Lid/collar set, white	123.79	148.75
	516328	Lid/collar set, black	123.79	148.75
	516261	Lid/collar set, tan	123.79	148.75



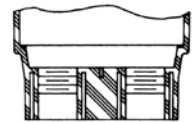
2 in. NPSM Thread



2 in. NPSM Thread
2 in. Slip



1-1/2 in. NPSM Thread



1-1/2 in. NPSM Thread
1-1/2 in. Slip

CALIFORNIA PROPOSITION 65 WARNING
 ⚠️ **WARNING:** Cancer and Reproductive Harm.
 ⚠️ **AVERTISSEMENT:** Peut Causer le Cancer et des Dommages au Système Reproducteur.
 ⚠️ **ADVERTENCIA:** Cáncer y Daño Reproductivo.
 www.p65warnings.ca.gov. PR00116A

¹ For skimmers manufactured after 2/1/93.

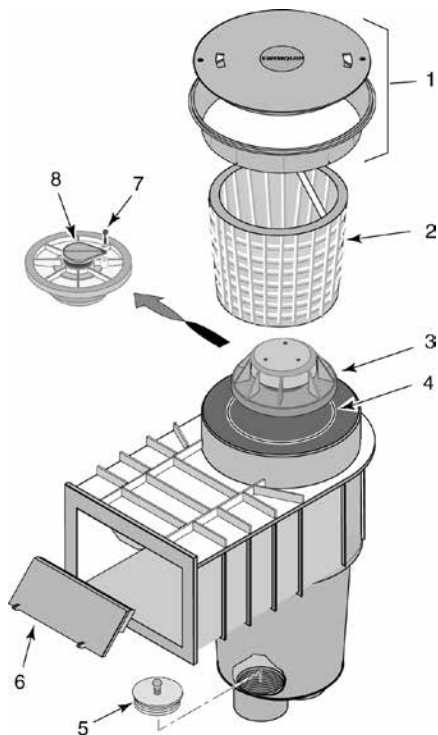
Product on pages 326–327.

Replacement baskets on page 194.



U-3 SKIMMER

REPLACEMENT PARTS



¹ For use on Residential U-3 Skimmer Models. Must purchase if skimmer does not come with a float.

² For Use on Vinyl Liner Skimmers.

³ For skimmers purchased after July 2012.



CALIFORNIA PROPOSITION 65 WARNING
⚠ WARNING: Cancer and Reproductive Harm.
⚠ AVERTISSEMENT: Peut Causer le Cancer et des Dommages au Système Reproducteur.
⚠ ADVERTENCIA: Cáncer y Daño Reproductivo.
www.p65warnings.ca.gov

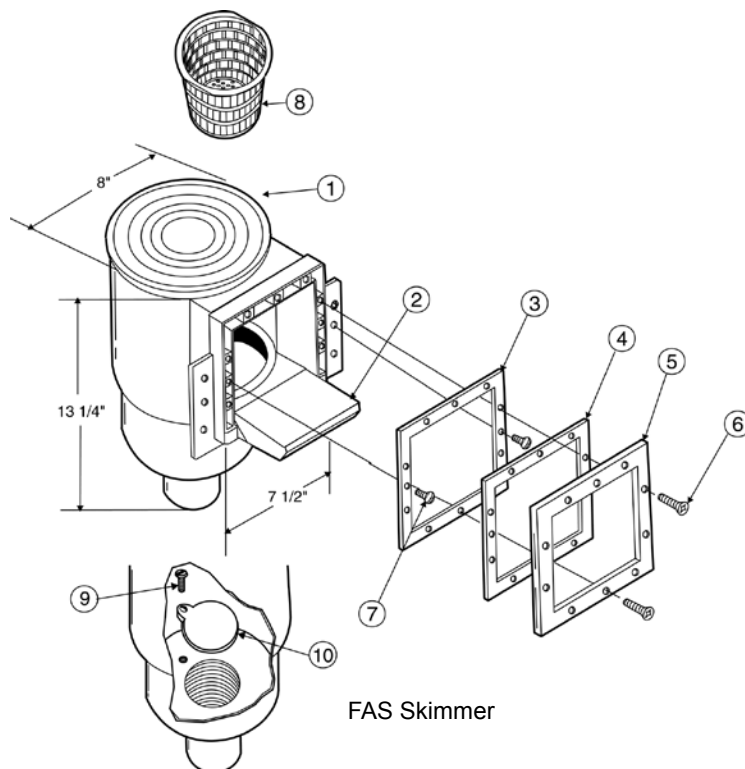
Item	Part No.	Description	US List	Can List
U-3 SKIMMER PARTS				
1	08650-0169	Lid and Collar - White (Model 09655-2403, 09655-2404)	42.60	51.19
1	08650-0159	Lid and Collar - Tan (Model 09655-1403, 09655-1404)	51.20	61.52
1	08650-0169C	Lid and Collar (Gray)	38.92	46.77
2	08650-0007Z	Basket and Handle	17.22	20.69
3	08650-0079	Float Assembly with O-Ring ¹	50.45	60.62
4	35505-1273	Float O-Ring Only ¹	26.68	32.06
5	08655-0017	Check Valve ¹	CALL	CALL
6	08650-0022	Hinged Weir Assembly	39.36	47.29
6	516442 ³	Hinged Weir Assembly - Brite white	CALL	CALL
7	37207-0027	Screw, #8 x 1/2 in. ¹	6.20	7.45
8	08650-0048Z	Trimmer Plate ¹	9.53	11.45
NOT SHOWN				
	37207-0825	Screw, #8 x 3/8 in. Pan Head	6.20	7.45
	08650-0018	Weir Bumper	8.39	10.08
	08650-0067	Basket Handle Only	14.90	17.90
	U78-820P	Reducer, 2 x 1-1/2 in. NPT (Model 09655-1403, 09655-2403)	19.77	23.76
	U78-858P	Reducer, 2 x 1-1/2 in. Slip (Model 09655-1404, 09655-2404)	CALL	CALL
	U9-366	Gasket 2	11.24	13.51
	37416-0004	Screw, #12-14 x 1 in. Flat Head (Model 09655-1404, 09655-2403, 09655-2404)	1.52	1.83
	37416-0005	Screw, #12-14 x 1-1/2 in. Flat Head (Model 09655-1403)	CALL	CALL
	U36-105SS	Nut, Hex #10-24 ²	CALL	CALL
	WC2-8P	Face Plate ²	44.82	53.86
	09655-0010	Skimmer Spacer Block ²	CALL	CALL
	08650-0042	Vacuum Plate ¹	36.49	43.85
	WC37-503P	Skimmer Extension Collar ²	49.99	60.07

Item	Part No.	Description	US List	Can. List
U-3 SKIMMER LIDS AND COLLARS				
1	08650-0058	Lid Only (White)	35.35	42.48
1	08650-0158	Lid Only (Tan)	35.35	42.48
1	08650-0058C	Lid Only (Gray)	36.40	43.74
2	08650-0025	Collar Only (White)	34.44	41.38
2	08650-0125	Collar Only (Tan)	34.44	41.38
2	08650-0025C	Collar Only (Gray)	CALL	CALL
3	08650-0069	Hardware	6.15	7.39

Product on pages 328–329.

SKIMMERS FOR ABOVEGROUND POOLS

REPLACEMENT PARTS

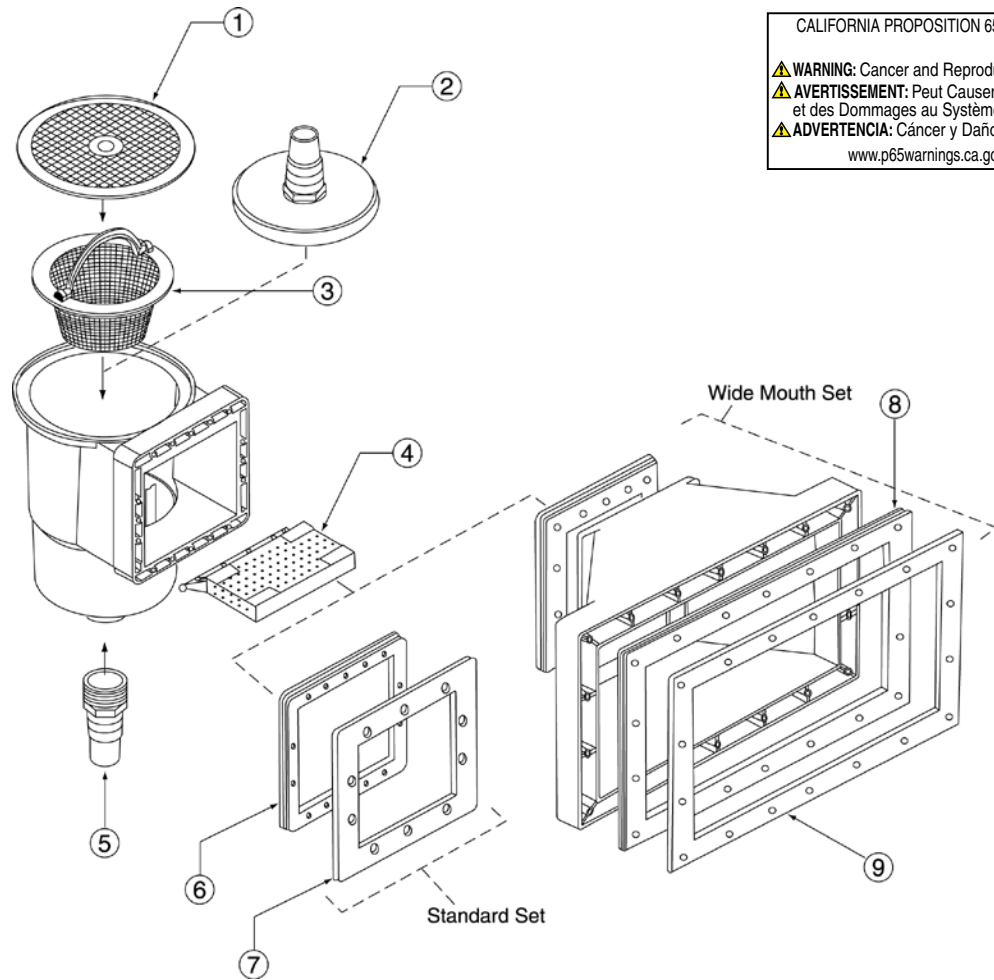


Item	Part No.	Description	US List	Can. List
FAS 100® SKIMMERS				
1	85004700	Lid for optional top access	23.55	28.30
2	85003200	Flap weir	56.40	67.77
3	85003300	Gasket, sealing rear (thick)	11.01	13.23
4	85003400	Gasket, sealing front	11.01	13.23
5	85004000	Sealing frame	20.73	24.91
6	98207200	Screw, sealing 13-16 x 1-1/4 in. high-low, XL	CALL	CALL
6	98202900	Screw, SS sealing phil. 13-16 x 1 in., high-low fh.	2.93	3.52
7	98203000	Screw, SS retainer slot. 13-16 x 3/4 in. high-low pph.	3.43	4.12
8	85003900	Basket	22.03	26.47
9	98204400	Screw, SS 10-24 x 1/2 in. pph. for trimmer plate	3.68	4.42
10	85009600	Plate, trimmer	7.51	9.02
NOT SHOWN				
	85002800	Plate, vacuum adapter	11.14	13.39
	510166	Hose adapter, 1-1/2 in. MIPT x 1-1/4 in.	CALL	CALL
	85009700	Screw kit, std.	32.31	38.82
	85009800	Screw kit, extra long screws	32.31	38.82
	85017600	Pivot tab, for flap weir	1.86	2.23

CALIFORNIA PROPOSITION 65 WARNING
 ⚠️ **WARNING:** Cancer and Reproductive Harm.
 ⚠️ **AVERTISSEMENT:** Peut Causer le Cancer et des Dommages au Système Reproducteur.
 ⚠️ **ADVERTENCIA:** Cáncer y Daño Reproductivo.
www.p65warnings.ca.gov PA 20251A

HYDROSKIM SKIMMERS

REPLACEMENT PARTS



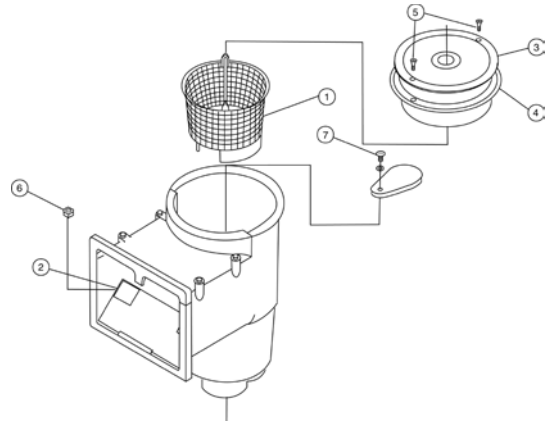
CALIFORNIA PROPOSITION 65 WARNING
 ⚠️ **WARNING:** Cancer and Reproductive Harm.
 ⚠️ **AVERTISSEMENT:** Peut Causer le Cancer et des Dommages au Système Reproducteur.
 ⚠️ **ADVERTENCIA:** Cáncer y Daño Reproductivo.
www.p65warnings.ca.gov PWS2017A

Item	Part No.	Description	US List	Can. List
HYDROSKIM SKIMMERS				
1	513333	Lid, white	7.51	9.02
1	513335	Lid, gray	7.51	9.02
2	513351	Vacuum plate	8.32	10.00
3	513330	Basket	7.51	9.02
4	513352	Weir door	7.51	9.02
5	510166	Hose adapter	CALL	CALL
6	513331	Gasket	5.64	6.78
7	513339	Sealing frame, white	8.83	10.61
7	513340	Sealing frame, black	CALL	CALL
7	513341	Sealing frame, gray	8.83	10.61
8	513332	Gasket, wide mouth	9.35	11.23
9	513345	Sealing frame, wide mouth, white	14.72	17.69
9	513346	Sealing frame, wide mouth, black	CALL	CALL
9	513347	Sealing frame, wide mouth, gray	14.72	17.69

SKIMCLEAN™ SKIMMERS

REPLACEMENT PARTS

Item	Part No.	Description	US List	Can. List
SKIMCLEAN SKIMMERS				
1	513036	Basket	55.18	66.30
2	513027	Weir	38.31	46.03
3	513030	Deck lid	43.47	52.23
4	513031	Deck ring	32.90	39.53
5	512149	Screw, No. 6-32 x 7/16 in. SS, 2 req.	CALL	CALL
6	192106	Nut, 1/4 in., 20 SS, 2 req.	CALL	CALL
7	98204400	Screw, No. 10-24 x 12 in.	3.68	4.42

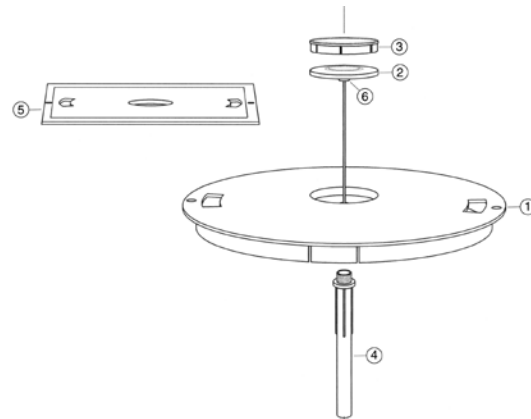


Replacement baskets on page 194.

SKIMMER LID WITH THERMOMETER

REPLACEMENT PARTS

Item	Part No.	Description	US List	Can. List
SKIMMER LID				
1	L1RW	SwimQuip, Swimrite, Jacuzzi®, New Style Hayward®, 9-7/8 in., white	CALL	CALL
1	L1RG	Gray	CALL	CALL
1	L1RB	Almond	CALL	CALL
1	L2R	Baker Hydro®, 9-7/8 in., white	CALL	CALL
1	L4RW	American Products, 9-3/16 in. round, white	CALL	CALL
1	L4RG	Gray	CALL	CALL
1	L4RB	Almond	CALL	CALL
1	L5R	PacFab™, Old Style, 8-3/8 in., white	CALL	CALL
1	L6RW	PacFab, Bermuda, 9-1/4 in., white	CALL	CALL
1	L6RG	Gray	CALL	CALL
1	L6RB	Almond	49.57	59.56
2	SK	Thermometer w/ bushing	92.75	111.45
2,4	SKR	Thermometer w/ tube & bushing	111.56	134.05
3	SKC	Cap for skimmer lid, (white, almond, gray)	14.02	16.85
4	SKTU	Protector tube	18.22	21.89
5	L3R	Hayward®, square, 10 in. x 10 in., white	42.99	51.66
6	SKB	Bushing for thermometer	4.55	5.47



Jacuzzi® is a registered trademark of Jacuzzi, Inc.

Hayward® is a registered trademark of Hayward Industries, Inc.

Baker Hydro® is a registered trademark of Waterco USA DBA Baker Hydro Corp.

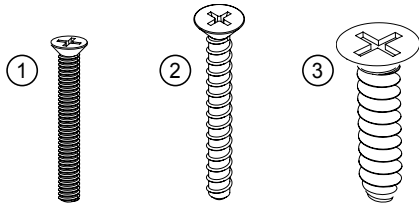
CALIFORNIA PROPOSITION 65 WARNING

⚠️ **WARNING:** Cancer and Reproductive Harm.
 ⚠️ **AVERTISSEMENT:** Peut Causer le Cancer et des Dommages au Système Reproducteur.
 ⚠️ **ADVERTENCIA:** Cáncer y Daño Reproductivo.
www.p65warnings.ca.gov

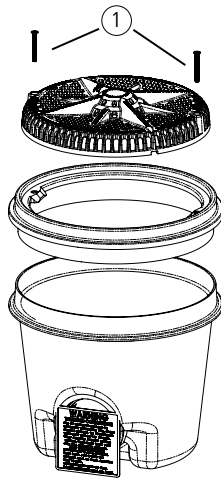
STARGUARD® MAIN DRAINS

REPLACEMENT PARTS

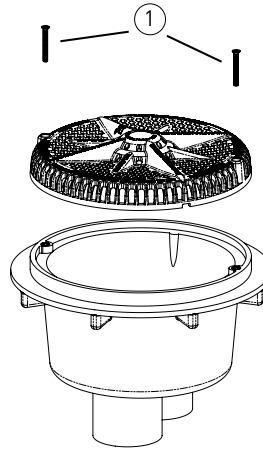
Item	Part No.	Description	US List	Can. List
STARGUARD MAIN DRAINS				
1	510543Z	Kit includes 2 screws	6.13	7.37
2	510583Z	Kit includes 2 screws	4.97	5.97
3	510592Z	Kit includes 8 screws	21.58	25.93
4	07017-0079	Gasket	27.74	33.33
5	500135	Vinyl ring and gasket kit	CALL	CALL



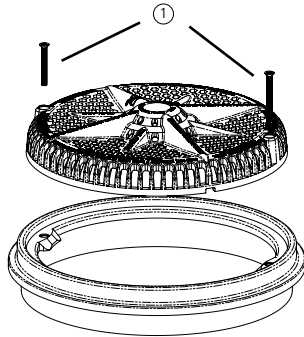
500110-500120



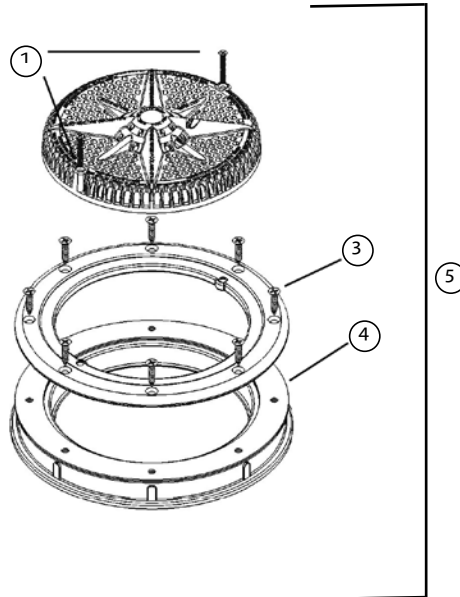
500120-500125



500100-500109
500140-500149

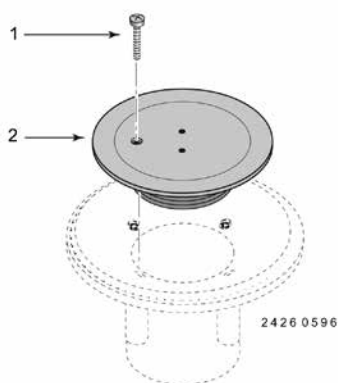


500135



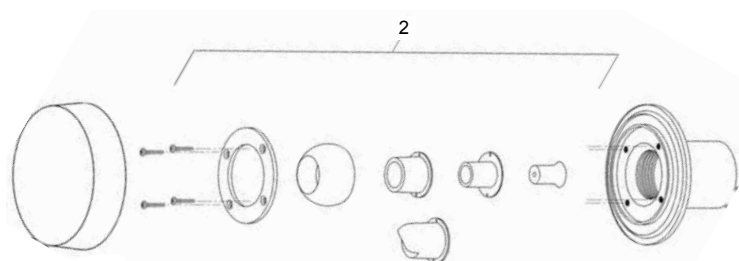
CALIFORNIA PROPOSITION 65 WARNING
 ⚠️ **WARNING:** Cancer and Reproductive Harm.
 ⚠️ **AVERTISSEMENT:** Peut Causer le Cancer et des Dommages au Système Reproducteur.
 ⚠️ **ADVERTENCIA:** Cáncer y Daño Reproductivo.
www.p65warnings.ca.gov PN 201514

ADJUSTABLE FLOOR INLET FITTING



Item	Part No.	Description	Qty	US List	Can. List
FLOOR INLET RETURN FITTING					
1	37207-0430	Screw, No. 8 x 1 in., SS	1	5.64	6.78
2	08417-0005	Cover plate, white ¹	1	42.52	51.09
2	08417-0005B	Cover plate, gray ¹	1	42.52	51.09
2	08417-0005C	Cover plate, black ¹	1	42.52	51.09

¹ To be used only as floor inlet fitting(s).



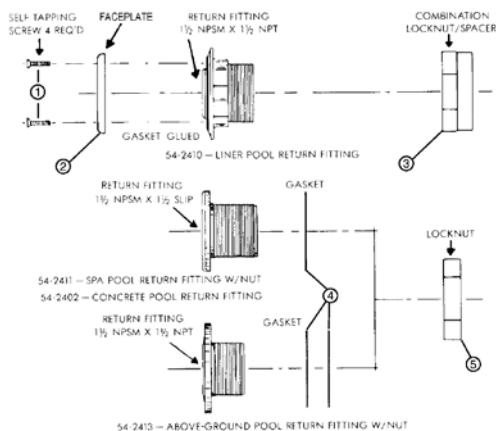
POOL INLETS

CALIFORNIA PROPOSITION 65 WARNING
 ⚠️ **WARNING:** Cancer and Reproductive Harm.
 ⚠️ **AVERTISSEMENT:** Peut Causer le Cancer et des Dommages au Système Reproducteur.
 ⚠️ **ADVERTENCIA:** Cáncer y Daño Reproductivo.
www.p65warnings.ca.gov P650017A

Item	Part No.	Description	Qty.	US List	Can. List
EYEBALL INLETS					
1	08429-0014	Body, 08429-0000, 1-1/2 in. inlet, white	1	CALL	CALL
1	08428-0014B	Body, 08428-0100, 1-1/4 in. inlet, gray	1	CALL	CALL
2	08428-0001	Inlet Eyeball Kit, white, includes: Screw, No. 8, 32 x 1/2 in.; Face plate; Ball; nozzle - 3/4 in.; Right angle nozzle; Nozzle - 1/2 in.; Nozzle - 3/16 in.	1	CALL	CALL
2	08428-0001B	Inlet Eyeball Kit, gray, includes: Screw, No. 8, 32 x 1/2 in.; Face plate; Ball; nozzle - 3/4 in.; Right angle nozzle; Nozzle - 1/2 in.; Nozzle - 3/16 in.	1	54.66	65.68
NOT SHOWN					
	08428-0125	Eyeball inlet kit	1	32.12	38.60

Product on page 341.

WALL FITTINGS

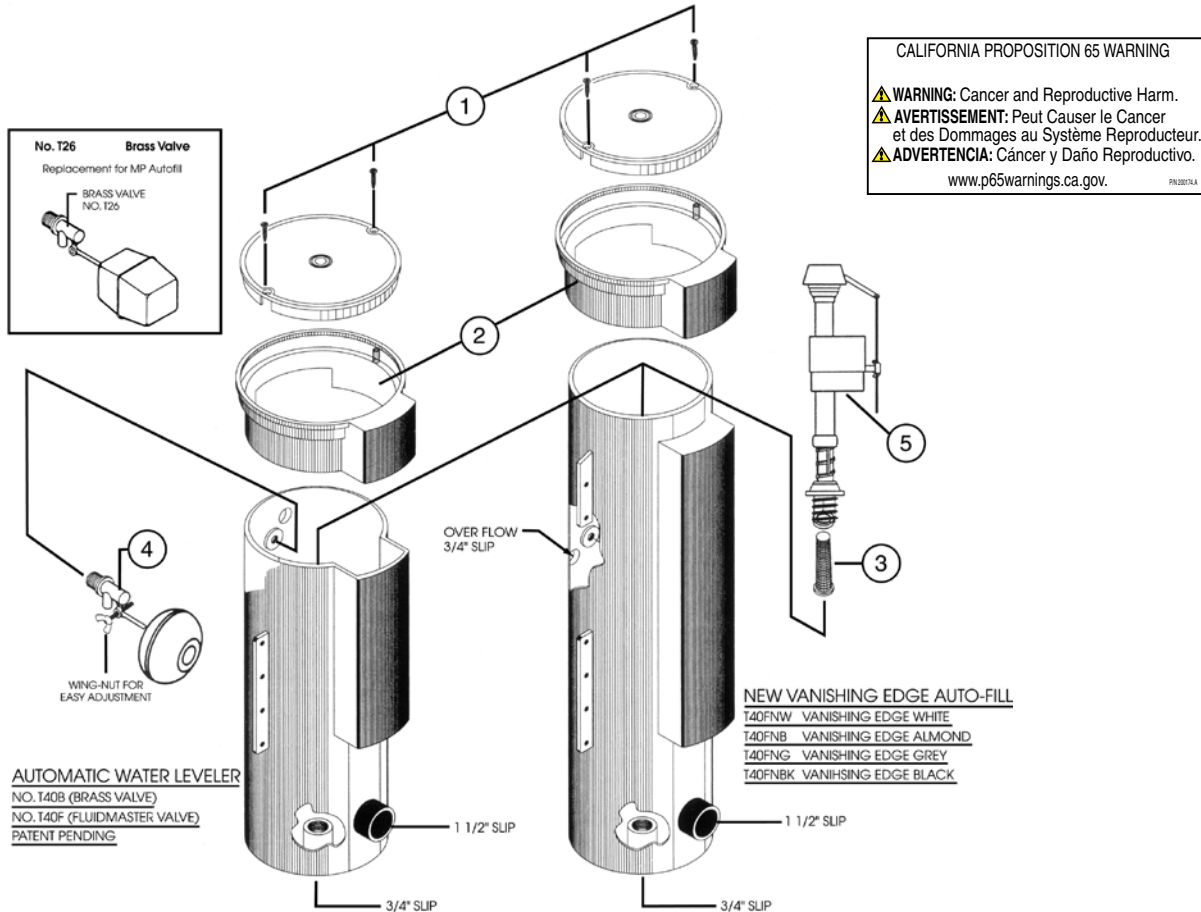


Item	Part No.	Description	US List	Can. List
WALL FITTINGS				
1	552472	Screw, No.12 x 1 in. flat phillips, 4 req.	CALL	CALL
2	545100	Face plate, white for 542410 / 86205100	2.08	2.50
2	545101	Face plate, black for 542420 / 86205101	2.08	2.50
2	545103	Face plate, gray for 86205103	2.08	2.50
4	552496	Cork gasket	1.62	1.95
4	552406	Gasket, 2 req.	2.09	2.51
5	154412	Locknut	15.16	18.22

Product on page 341.

AUTOMATIC WATER FILLERS

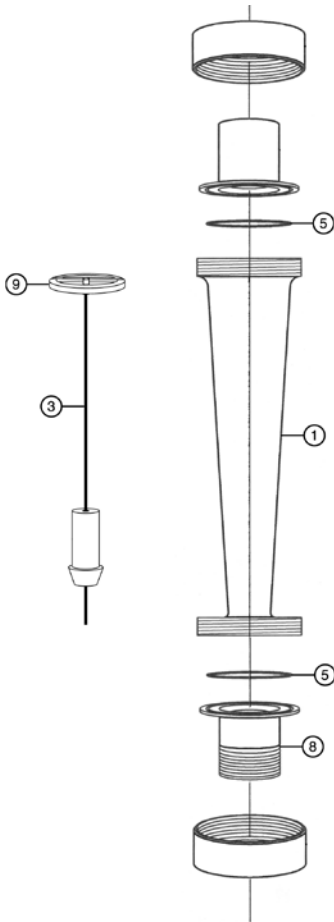
REPLACEMENT PARTS



Item	Part No.	Description	US List	Can. List
AUTOMATIC WATER FILLERS				
1	T10W	AutoFill lid, with screws, white	27.48	33.02
1	T10B	AutoFill lid, with screws, almond	27.48	33.02
1	T10G	AutoFill lid, with screws, gray	27.48	33.02
1	T10BK	AutoFill lid, with screws, black	27.48	33.02
	T10DG	Autofill lid with screws, dark gray	27.47	33.01
2	T16W	AutoFill top ring, white	30.12	36.19
2	T16B	AutoFill top ring, almond	30.12	36.19
2	T16G	AutoFill top ring, gray	30.12	36.19
2	T16BK	AutoFill top ring, black	30.12	36.19
	T16DG	Autofill top ring, dark gray	30.12	36.19
3	T24	Debris screen w/ washer	12.90	15.50
4	T26	Brass valve	82.54	99.18
4	261058	Plastic valve	56.67	68.09
5	T29	Fluidmaster® valve	50.04	60.13
NOT SHOWN				
	370006	T-40 FW Parts Bag	106.44	127.90
	T6EXT	6 in. extension for Fluidmaster valve	CALL	CALL

FLOWMETERS MADE FOR LIQUID APPLICATIONS

REPLACEMENT PARTS



Item	Part No.	Description	US List	Can. List
FLOWMETERS				
1	FS2	Flowmeter body (2–16 GPM)	174.96	210.23
3	FSGW	Guide wire, small	43.40	52.15
5	FSO	O-ring, small	4.55	5.47
5	FLO	O-ring, large	4.19	5.03
8	FSNE	Nylon end, small	19.29	23.18
9	FSTG	Top guide support, small	22.20	26.68

CALIFORNIA PROPOSITION 65 WARNING

⚠ **WARNING:** Cancer and Reproductive Harm.
 ⚠ **AVERTISSEMENT:** Peut Causer le Cancer et des Dommages au Système Reproducteur.
 ⚠ **ADVERTENCIA:** Cáncer y Daño Reproductivo.

www.p65warnings.ca.gov.

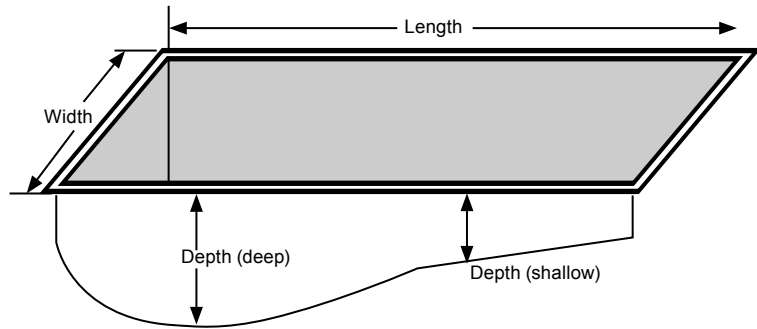
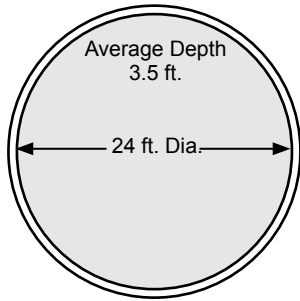
PH.002714

ENGINEERING DATA

Product Catalog 2024

ENGINEERING DATA

ESTIMATING TOTAL GALLONS IN A POOL OR SPA



$\text{Radius}^2 \times 3.14 \times \text{A.D.} \times 7.5 = \text{Gallons}$

$12 \times 12 \times 3.14 \times 3.5 \times 7.5 = 11,869$
Gals.

$\text{Dia.} \times \text{Dia.} \times \text{Av Dp} \times 5.9 = \text{Gallons}$

$24 \times 24 \times 3.5 \times 5.9 = 11,894$ Gals.

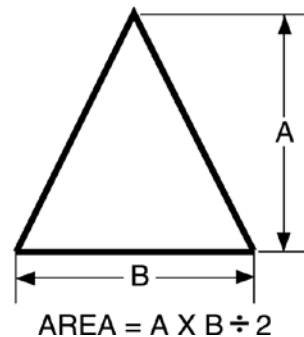
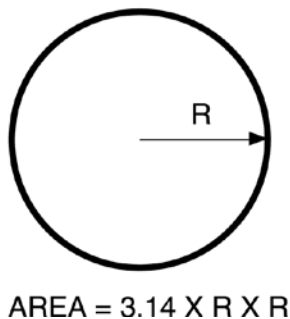
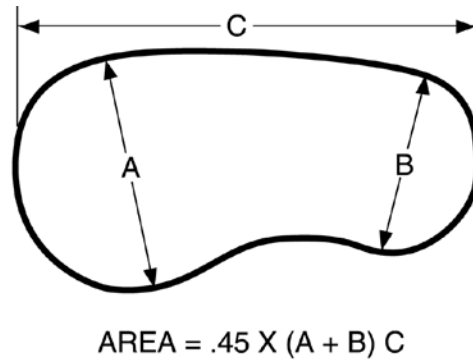
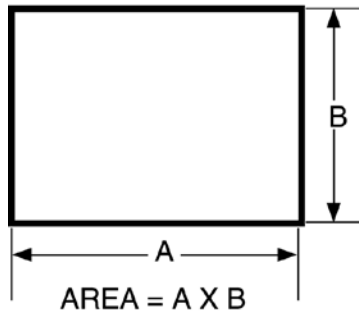
Gal.cu.ft.	
Rectangle:	7.5
Oval:	6.7
Kidney:	7.0

Formula A: $\text{Length} \times \text{Width} \times \text{Average Depth} \times \text{Gal.cu.ft.} = \text{Gallons}$

Example: Pool Length = 40 ft.
Pool Width = 20 ft.
Shallow Depth = 3 ft.
Deep Depth = +8 ft.

Total Depth = 11 ft.

Using formula A: $40 \times 20 = 800$ sq. ft., $800 \times 5.5 = 4,400$ cubic ft., $4,400 \times 7.5 = 33,000$ gallons



ENGINEERING DATA

UNITS OF MEASURE

UNITS OF LENGTH

UNIT	INCH	FOOT	YARD	METER
INCH	1.0	.0833	.0278	.0254
FOOT	12.0	1.0	.333	.305
YARD	36.0	3.0	1.0	.9144
METER	39.37	3.281	1.094	1.0

UNITS OF AREA

UNIT	SQUARE INCH	SQUARE FOOT	SQUARE YARD	SQUARE METER
SQUARE INCH	1.0	.00694	.000772	.000645
SQUARE FOOT	144.0	1.0	.1111	.0929
SQUARE YARD	1,296.0	9.0	1.0	.836
SQUARE METER	1,550.0	10.76	1.196	1.0

UNITS OF VOLUME

UNIT	U.S. GALLON	IMPERIAL GALLON	CUBIC FEET	POUNDS OF WATER	CUBIC METERS
U.S. GALLON	1.0	.833	.1337	8.33	.003785
IMPERIAL GALLON	1.2	1.0	.1605	10.0	.004546
CUBIC FEET	7.481	6.232	1.0	62.37	.0283
POUNDS OF WATER	.12	.09996	.0160	1.0	.00045
CUBIC METERS	264.2	220.0	35.31	2,204.0	1.0

UNITS OF FLOW

UNIT	U.S. G.P.M.	IMPERIAL G.P.M.	CUBIC FEET/SECOND	CUBIC FEET/HOUR	LITERS/SECOND
U.S. G.P.M.	1.0	.833	.00223	8.02	.0631
IMPERIAL G.P.M.	1.2	1.0	.00268	9.63	.0757
CUBIC FT. PER SECOND	448.8	374.0	1.0	3.600	28.32
CUBIC FT. PER HOUR	.1247	.104	.00028	1.0	.0078
LITERS PER SECOND	15.85	13.21	.0353	127.13	1.0

ENGINEERING DATA

UNITS OF MEASURE

UNITS OF PRESSURE

UNIT	INCHES OF WATER	FEET OF WATER	POUNDS PER SQUARE INCH	INCHES OF MERCURY
INCHES OF WATER	1.0	.0833	.0361	.0736
FEET OF WATER	12.0	1.0	.433	.883
POUNDS PER SQUARE INCH	27.72	2.31	1.0	2.04
INCHES OF MERCURY	13.596	1.133	.4906	1.0

PRESSURE AND EQUIVALENT FEET HEAD OF WATER

$$H = \frac{\text{pressure (psi)} \times 144}{62.4}$$

Lbs. per Sq. In.	Feet Head	Lbs. per Sq. In.	Feet Head	Lbs. per Sq. In.	Feet Head	Lbs. per Sq. In.	Feet Head
1	2.31	20	46.18	120	276.42	225	519.23
2	4.62	25	57.72	125	288.46	250	576.92
3	6.93	30	69.27	130	300.00	275	634.62
4	9.24	40	92.36	140	323.08	300	692.31
5	11.54	50	115.38	150	346.15	325	750.00
6	13.85	60	138.46	160	369.23	350	807.69
7	16.16	70	161.53	170	392.31	375	865.38
8	18.47	80	184.62	180	415.38	400	923.08
9	20.78	90	207.69	190	438.46	500	1153.85
10	23.09	100	230.77	200	461.54	1000	2307.69
15	34.63	110	253.85				

ENGINEERING DATA

UNITS OF MEASURE

EQUIVALENT VALUES OF PRESSURE 1 in. of Mercury (hg) = 1.13 ft. of water

Inches of Mercury	Feet of Water	Pounds per Sq. In.	Inches of Mercury	Feet of Water	Pounds per Sq. In.	Inches of Mercury	Feet of Water	Pounds per Sq. In.
1	1.13	0.49	11	12.45	5.39	21	23.78	10.3
2	2.26	0.98	12	13.57	5.87	22	24.88	10.8
3	3.39	1.47	13	14.70	6.37	23	26.00	11.28
4	4.52	1.95	14	15.82	6.86	24	27.15	11.75
5	5.65	2.44	15	16.96	7.35	25	28.26	12.25
6	6.78	2.93	16	18.09	7.84	26	29.40	12.73
7	7.91	3.42	17	19.22	8.33	27	30.52	13.23
8	9.04	3.91	18	20.35	8.82	28	31.65	13.73
9	10.17	4.40	19	26.47	9.31	29	32.80	14.22
10	11.30	4.89	20	22.60	9.80	29.929	33.947	14.6969

WEIGHT

1 U.S. GALLON OF WATER = 8.33 LBS.

1 CUBIC FOOT OF WATER = 62.35 LBS.

1 KILOGRAM (LITRE) = 2.2 LBS.

1 IMPERIAL GALLON = 10.0 LBS.

CURRENT CAPACITY (AMPS) OF WIRE *

Three wires in cable, ambient temp. 86°F

WIRE SIZE	AMPERES	
	COPPER	ALUMINIUM
14	20	—
12	25	20
10	30	25
8	40	30
6	55	40
4	70	55
3	85	65
2	95	75
1	110	85
0	125	100

* Wire size is minimum for amperes listed.

EFFICIENCY

EFFICIENCY	POWER OUTPUT POWER INPUT
MOTOR EFFICIENCY	$\frac{\text{HP OUTPUT}}{\text{K.W. INPUT}}$
PUMP EFFICIENCY	$\frac{\text{G.P.M.} \times \text{TOTAL HEAD (F.T.)}}{3960 \times \text{BHP}}$
OVERALL PLANT EFFICIENCY (OPE)	$\frac{\text{G.P.M.} \times \text{TOTAL HEAD (F.T.)}}{5310 \times \text{K.W. INPUT}}$

Amperage =	$\frac{\text{Watts}}{\text{Volts}}$
Watts =	Volts x Amperage
WHP =	Water Horsepower (output HP of pump) = $\frac{\text{g.p.m} \times \text{total head}}{3960}$
HP input (to motor) =	KW input x 1.341
Total Head =	Discharge head + Pumping water level (ft)
Discharge Head =	Discharge Pressure (PSI) x 2.31 ft. of head

ENGINEERING DATA

HEATER SIZING INFORMATION

Pool heaters can be sized by the volume method for maintenance heating or for spot heating. For many days during the swimming season, the sun maintains a desirable pool temperature of 78–80°F. and the pool requires no supplemental heating. However, during cooler periods a pool will usually lose 2–4°F. per day.

To get the water to the desired temperature, you could choose a smaller heater and run it during the daily filter cycle of 4–6 hours every day. This would be sufficient to overcome a slight temperature drop between filter cycles, but it would mean leaving the heater on every day. If you don't use the pool daily, it's more economical to spot heat the pool, say for the weekend. In this case, you could choose a larger heater which will heat the pool faster, and then can be turned off between uses. With either, maintenance heating or spot heating, you need to determine the size of heater to select and the time it will require to heat the pool.

MASTERTEMP AND MAX-E -THERM MODEL REQUIRED TO HEAT POOL IN 24 HOURS

Pool Sizing *

° F Temperature Change/24 Hrs.	Pool Volume (Gallons)									
	Model 175	Model 200	Model 250/250HD	Model 300	Model 400/400HD	Model 175	Model 200	Model 250/250HD	Model 300	Model 400/400HD
	Pool Capacity in Gallons					Pool Surface Area in Sq. Ft. at 5.5' Depth				
5	85,210	97,383	121,729	146,075	194,766	2,069	2,364	2,955	3,546	4,727
10	42,605	48,691	60,864	73,037	97,383	1,034	1,182	1,478	1,773	2,364
15	28,403	32,461	40,576	48,692	64,922	690	788	985	1,182	1,576
20	21,303	24,346	30,433	36,519	48,691	517	591	739	887	1,182
25	17,042	19,477	24,346	29,216	29,216	414	473	591	710	945
30	14,201	16,230	20,288	24,345	32,461	345	394	493	591	788
35	12,173	13,912	17,390	20,868	27,824	296	338	423	507	675
40	10,651	12,173	15,216	18,260	24,346	259	295	369	443	591

MASTERTEMP AND MAX-E -THERM MODEL REQUIRED TO HEAT THE SPA 30°F IN A GIVEN TIME PERIOD

Spa Sizing *

Model	Spa Volume (Gallons)								
	200	300	400	500	600	700	800	900	1000
	Minutes for 30° F Temperature Rise (Heater Input in 1000 BTU/HR)								
174	21.0	31.0	40.0	50.0	61.0	71.0	81.0	91.0	102.0
200	18.0	27.0	35.0	44.0	53.0	62.0	71.0	80.0	89.0
250/250HD	15.8	23.5	30.8	38.5	46.5	54.3	62.0	70.0	77.8
300	13.5	20.0	26.5	33.0	40.0	46.5	53.0	60.0	66.5
400/400HD	9.0	13.0	18.0	22.0	27.0	31.0	35.0	40.0	44.0

Note: The chart is based on a 30° F (16.6° C) temperature rise, discounting losses and only based on heat required to raise temperature in minutes. Two-year limited warranty. See warranty for details.

* ASME models available. Please see your Pentair Aquatic Systems Representative for details.

* For Commercial Heaters 500,000 BTU/hr and over please contact factory for sizing.

$$\text{TIME IN HOURS} = \frac{\text{Vol. in Gal.} \times 8.34 \text{ lb./gal.} \times \text{temprise}}{\text{Heater BTUH input} \times \text{efficiency of heater}}$$

$$\text{TIME IN MINUTES} = \frac{\text{Vol. in Gal.} \times 8.34 \text{ lb./gal.} \times \text{temprise} \times 60}{\text{Heater BTUH input} \times \text{efficiency of heater}}$$

$$\text{SPA} = \frac{\text{Vol. in Gal.} \times 8.34 \text{ lb./gal.} \times \text{temprise} \times 60}{\text{Heater BTUH input} \times \text{efficiency of heater}}$$

ENGINEERING DATA

HEATER SIZING INFORMATION

**ETi 400 ASME HIGH EFFICIENCY HEATER MODEL
REQUIRED TIME TO TEMPERATURE RISE**

° F Temperature Rise	Pool Volume (Gallons)									
	10,000	20,000	30,000	40,000	50,000	60,000	70,000	80,000	90,000	100,000
	Hours to Reach Temperature									
5	1.08	2.17	3.26	4.34	5.43	6.52	7.60	8.69	9.77	10.86
10	2.17	4.34	6.52	8.69	10.86	13.03	15.20	17.38	19.55	21.72
15	3.25	6.52	9.77	13.03	16.29	19.55	22.80	26.06	29.32	35.58
20	4.35	8.69	13.03	17.38	21.72	26.06	30.41	34.75	39.09	43.44
25	5.43	10.86	16.29	21.72	27.15	32.58	38.01	43.44	48.87	54.30
30	6.52	13.03	19.55	26.06	32.58	39.09	45.61	52.13	58.64	65.16
35	7.60	15.20	22.80	30.41	38.01	45.61	53.21	60.81	68.41	76.02
40	8.68	17.38	26.06	34.75	43.44	52.13	60.81	69.50	78.19	86.88
50	9.77	19.55	29.32	39.09	48.87	58.64	68.41	78.19	87.96	97.73
	10.87	21.72	32.58	43.44	54.30	65.16	76.02	86.88	97.73	108.59

ENGINEERING DATA

HEATER GAS SUPPLY AND PIPE SIZING INFORMATION

When installing any Pentair or Sta-Rite pool or spa heater, it is very important to have the proper amount of gas supplied to all Pentair or Sta-Rite Heaters for pools. Below, for your information, is a table which will assist you in selecting the correct size of piping for the installation.

When installing any gas appliance, it is very important to have the proper size gas meter and home pressure regulator installed. Once you have selected the correct size heater for the pool or spa, contact the local utility which supplies the gas and request a field review of the installation and have them install the proper size meter and proper size pressure regulator.

LOW PRESSURE, SINGLE STAGE PIPE SIZING FOR GAS LINE CONNECTIONS

4

Natural gas at 1000 BTU per Cubic Foot

Propane Gas at 2500 BTU per Cubic Foot

MODEL	1/2 in.		3/4 in.		1 in.		1-1/4 in.		1-1/2 in.		2 in.		2-1/2 in.	
	NAT	PRO	NAT	PRO	NAT	PRO	NAT	PRO	NAT	PRO	NAT	PRO	NAT	PRO
100 & 75	20 ft.	50 ft.	50 ft.	150 ft.	150 ft.	600 ft.	-	-	-	-	-	-	-	-
150	10 ft.	40 ft.	50 ft.	150 ft.	150 ft.	600 ft.	-	-	-	-	-	-	-	-
200	-	20 ft.	30 ft.	80 ft.	125 ft.	250 ft.	450 ft.	600 ft.	-	-	-	-	-	-
250	-	10 ft.	20 ft.	50 ft.	70 ft.	150 ft.	250 ft.	500 ft.	600 ft.	-	-	-	-	-
300	-	-	10 ft.	30 ft.	50 ft.	100 ft.	200 ft.	350 ft.	400 ft.	600 ft.	-	-	-	-
350	-	-	10 ft.	20 ft.	30 ft.	70 ft.	125 ft.	250 ft.	250 ft.	500 ft.	500 ft.	-	-	-
400	-	-	-	10 ft.	20 ft.	60 ft.	100 ft.	150 ft.	200 ft.	450 ft.	400 ft.	-	-	-
525	-	-	-	5 ft.	15 ft.	35 ft.	65 ft.	150 ft.	130 ft.	360 ft.	390 ft.	700 ft.	-	-
750	-	-	-	-	-	20 ft.	35 ft.	80 ft.	75 ft.	180 ft.	260 ft.	600 ft.	-	-
900	-	-	-	-	-	15 ft.	20 ft.	45 ft.	45 ft.	100 ft.	150 ft.	360 ft.	400 ft.	-

Gas Pressure	Model	Natural	Propane
		Inches W. C.	
Gas Pressure Requirements Pentair Water Heaters			
Maximum Inlet	CH	10	14
	STD	10	14
	TSI	10	N/A
	LN	10	N/A
Minimum Inlet	CH	6	12
	STD	6	12
	TSI	4	N/A
	LN	6	N/A
Manifold	CH	4	11
	STD	4	11
	TSI	2	N/A
	LN	4	N/A

Gas Pressure	Natural	Propane
	Inches W. C.	
Gas Pressure Requirements for MiniMax 75 & 100 Pentair Water Heaters		
Normal Altitudes (0–2500 ft. above Sea Level)		
Maximum Inlet	10	14
Minimum Inlet	5	12
Normal Manifold	4	11
High Altitudes (2500–7000 ft. above Sea Level)		
Maximum Inlet	10	14
Minimum Inlet	5	12
Normal Manifold	3	7

Gas Pressure	Model	Natural	Propane
		Inches W. C.	
Gas Pressure Requirements for MasterTemp, Max-E-Therm and ETi 400 Pentair Water Heaters			
Maximum Inlet	MT	14	14
Minimum Inlet	MT	4	4
Manifold	MT	-0.2 ± 0.1	-0.2 ± 0.1

Note: All readings must be taken while heater is operating. Any adjustments or readings made while heater is off will give incorrect readings and should not be used for evaluation of heater operation.

All Values are +/- 0.2 inch W. C.

ENGINEERING DATA

HEATER GAS SUPPLY AND PIPE SIZING INFORMATION

"RESIDENTIAL" PROPANE GAS 2 STAGE REGULATION

In many Propane gas line installations, the gas supplier and or installer will utilize a two stage regulation process whereby, at the supply tank, they will install the first stage gas regulator, which would be at a higher pressure, usually 10 psi. This higher pressure allows for much longer distance and in a much smaller pipe size. Then, within a short distance from the pool heater, generally around 24 inches, a second regulator, which is the second stage, would be installed and set at the required inlet pressure of the heater.

SEE "GAS PRESSURE REQUIREMENT CHART."

Stage One "High Pressure" Gas Pipe Sizing				Stage Two "Low Pressure" Gas Pipe Sizing		
10 PSI @ 2500 BTU Per CU. FT.				Stage 2 set at 14 in. W.C.		
MAXIMUM EQUIVALENT PIPE LENGTH				MAXIMUM EQUIVALENT PIPE LENGTH		
Model	0 to 50 Feet	50 to 100 Feet	100 to 150 Feet	Model	0 to 10 Feet	10 to 20 Feet
75 through 400	1/2 in.	1/2 in.	1/2 in.	75 through 400	3/4 in.	3/4 in.

"RESIDENTIAL" NATURAL GAS 2 STAGE REGULATION

In many Natural gas line installations, the gas supplier and or installer will utilize a two stage regulation process whereby, at the street's main gas supply, they will install the first stage gas regulator, which would be at a higher pressure. This higher pressure is usually set at 2 psi or 5 psi and can be run for long distances and in a much smaller pipe size. Then, within a short distance from the pool heater, generally around 24 inches, they will install a second regulator, which is the second stage. This second stage regulator would be set at the minimum operating pressure for the heater. For "Natural Gas Pentair Pool Heaters" the minimum is 7 inches W.C.

Stage One "High Pressure" Gas Pipe Sizing				Stage Two "Low Pressure" Gas Pipe Sizing		
2 PSI @ 1000 BTU Per CU. FT.				Stage 2 set at 7 in. W.C.		
MAXIMUM EQUIVALENT PIPE LENGTH				MAXIMUM EQUIVALENT PIPE LENGTH		
Model	0 to 20 Feet	20 to 90 Feet	90 to 200 Feet	Model	0 to 5 Feet	0 to 15 Feet
75 through 400	3/4 in.	1 in.	1-1/4 in.	75 through 300	3/4 in.	1 in.
				350 & 400	1 in.	1 in.

Stage One "High Pressure" Gas Pipe Sizing				Stage Two "Low Pressure" Gas Pipe Sizing		
5 PSI @ 1000 BTU Per CU. FT.				Stage 2 set at 7 in. W.C.		
MAXIMUM EQUIVALENT PIPE LENGTH				MAXIMUM EQUIVALENT PIPE LENGTH		
Model	0 to 50 Feet	50 to 100 Feet	100 to 200 Feet	Model	0 to 5 Feet	0 to 15 Feet
75 through 400	3/4 in.	3/4 in.	3/4 in.	75 through 300	3/4 in.	1 in.
				350 & 400	1 in.	1 in.

ENGINEERING DATA

BLOWER SIZING

HORSEPOWER

To Get This	Divide This	By This
Horsepower	Kwatts	0.746
Horsepower	Watts	746
Horsepower	Torque (ft. lbs.) X RPM	33000
Horsepower	Torque (ft. lbs.) X RPS	550
Horsepower required to pump water at a given rate to a given Height, assuming 100% eff. AKA Water Horsepower	GPM x TDH (ft.)	3960
	GPH X TDH (psi)	103000
Brake HP	Water HP	Pump eff.

AIR BLOWER SIZING GUIDE

BLOWER MOTOR SIZE	VOLTS	AMPS	MAXIMUM INCHES OF WATER DEPTH	JETS ONLY RECOMMENDED NUMBER OF JETS
1 HP	120V	6.6	35 in.	5-10
1-1/2 HP	120V	7.4	45 in.	9-15
2 HP	120V	9.3	55 in.	12-17
1 HP	240V	3.9	30 in.	4-9
1-1/2 HP	240V	4.3	40 in.	8-13
2 HP	240V	5.0	50 in.	12-17

BLOWER SIZING FORMULA

Measure total depth of water in spa (not total spa depth)

Add - 1 in. water for each 10 ft. of 2 in. air pipe

Add 1/2 in. water for each 90 deg. 2 in. elbow

Compare your total with maximum inches of water column and select that size or the next size higher blower than your total, in your selected voltage.

The number of holes in the air channel (both floor and seat) should be approximately 1.6 sq. in. total plus or minus .5

1/8 in. hole = .0123 sq. in.

3/16 in. hole = .0276 sq. in.

5/32 in. hole = .0192 sq. in.

1/4 in. hole = .0491 sq. in.

ENGINEERING DATA, FRICTION FLOW

FRICTION/FLOW CHART FOR SCHEDULE 40 RIGID PVC PIPE *

U.S. Gal. per min.	3/4 in. pipe		1 in. pipe		1-1/4 in. pipe		1-1/2 in. pipe		2 in. pipe		2-1/2 in. pipe		3 in. pipe		4 in. pipe		5 in. pipe		6 in. pipe		U.S. Gal. per min.
	Velocity feet per second	Loss in feet	Velocity feet per second	Loss in feet	Velocity feet per second	Loss in feet	Velocity feet per second	Loss in feet	Velocity feet per second	Loss in feet	Velocity feet per second	Loss in feet	Velocity feet per second	Loss in feet	Velocity feet per second	Loss in feet	Velocity feet per second	Loss in feet	Velocity feet per second	Loss in feet	
1	.71	.40	.40	.10	0.26	0.03															1
2	1.43	1.44	.80	.35	.51	.12	.36	.05													2
3	2.14	3.05	1.20	.75	.77	.25	.53	.10													3
4	2.85	5.19	1.60	1.28	1.03	.43	.71	.18													4
5	3.56	7.85	2.00	1.94	1.28	.65	.89	.27	.50	.07	.32	.02	.22	.01							5
6	4.28	11.01	2.41	2.71	1.54	.92	1.07	.38	.60	.09	.38	.03	.27	.01							6
8	5.70	18.75	3.21	4.62	2.05	1.56	1.43	.64	.80	.16	.51	.05	.36	.02							8
10	7.13	28.34	4.01	6.99	2.57	2.36	1.78	.97	1.00	.24	.64	.08	.45	.03							10
15	10.69	60.06	6.01	14.81	3.85	5.00	2.67	2.06	1.50	.51	.96	.17	.67	.07							15
20			8.02	25.24	5.13	8.52	3.56	3.51	2.00	.87	1.28	.29	.89	.12	.50	.03					20
25			10.02	38.16	6.41	12.88	4.45	5.31	2.51	1.31	1.60	.44	1.11	.18	.63	.04					25
30			12.03	53.48	7.70	18.06	5.34	7.44	3.01	1.83	1.92	.62	1.34	.26	.75	.06	.48	.02			30
35					8.98	24.03	6.24	9.89	3.51	2.44	2.24	.82	1.56	.34	.88	.08	.56	.03			35
40					10.26	30.77	7.13	12.67	4.01	3.13	2.57	1.06	1.78	.43	1.00	.11	.64	.04			40
45					11.54	38.27	8.02	15.76	4.51	3.89	2.89	1.31	2.00	.54	1.13	.13	.72	.05			45
50					12.83	46.51	8.91	19.16	5.01	4.72	3.21	1.60	2.23	.66	1.25	.16	.80	.05	.56	.02	50
60							10.69	26.85	6.01	6.62	3.85	2.24	2.67	.92	1.50	.23	.96	.08	.67	.03	60
70									7.01	8.81	4.49	2.98	3.12	1.23	1.75	.30	1.12	.10	.78	.04	70
80									8.02	11.28	5.13	3.81	3.56	1.57	2.00	.39	1.28	.13	.89	.05	80
90									9.02	14.03	5.77	4.74	4.01	1.95	2.25	.48	1.44	.16	1.00	.07	90
100									10.02	17.06	6.41	5.76	4.45	2.37	2.51	.59	1.60	.20	1.11	0.08	100
125											8.02	8.71	5.57	3.59	3.13	.88	2.00	.30	1.39	.12	125
150											9.62	12.20	6.68	5.03	3.76	1.24	2.41	.42	1.67	.17	150
175													7.79	6.69	4.38	1.65	2.81	.56	1.95	.23	175
200													8.91	8.56	5.01	2.11	3.21	.71	2.23	.29	200
225													10.02	10.65	5.64	2.63	3.61	.89	2.51	.37	225
250													11.13	12.95	6.26	3.19	4.01	1.08	2.78	.44	250
275															6.89	3.81	4.41	1.29	3.06	.53	275
300															7.52	4.48	4.81	1.51	3.34	.62	300
325															8.14	5.19	5.21	1.75	3.62	.72	325
350															8.77	5.95	5.61	2.01	3.90	.83	350
375															9.39	6.77	6.01	2.28	4.18	.94	375
400															10.02	7.63	6.41	2.57	4.45	1.06	400
425																	6.81	2.88	4.73	1.19	425
450																	7.22	3.20	5.01	1.32	450
475																	7.62	3.54	5.29	1.46	475
500																	8.02	3.89	5.57	1.60	500
550																	8.82	4.64	6.12	1.91	550
600																	9.62	5.46	6.68	2.25	600
650																			7.24	2.61	650
700																			7.79	2.99	700
750																			8.35	3.40	750
1000																			11.13	5.79	1000

* Friction loss of water in feet per 100 feet length of pipe. Based on Williams & Hazen formula using constant 150.

* Recommended operating flow velocities indicated by boxed areas.

WARRANTY INFORMATION

Product Catalog 2024

LIMITED WARRANTY

Please review this document for details of general warranty terms and conditions and visit www.pentair.com/warranty for information regarding the coverage duration and any possible warranty exceptions for your specific pool and spa equipment. Pentair offers:

- **LIMITED WARRANTY:** Pentair warrants its products to be free from defects in material and/or workmanship for a period of sixty (60) days (parts only) from the original date of purchase and/or installation. Customer agrees to prepay all shipping charges to Pentair.
- **EXTENDED WARRANTY:** To receive a product extended warranty (longer than 60 days from the original date of installation), customer must:
 1. Register the product;
 2. Provide a copy of the sales receipt; and
 3. Provide a copy of the installation invoice, provided by the qualified installer, within 60 days of installation (if required). Certain products do not require qualified installation but still require product registration and copy of the sales receipt to receive the extended warranty.
- **TRADEGRADE WARRANTY:** TradeGrade products must be purchased from a retail store (brick and mortar), pool builder or pool service company. If purchased online (via internet) the product will only receive a sixty (60) day limited warranty.
- **ECOMMERCE (EC) WARRANTY:** Products purchased from an Authorized Pentair Online Reseller receive a one (1) year (parts only) warranty from the date of purchase. To receive an eCommerce warranty, customer must:
 1. Register the product, and
 2. Provide a copy of the sales receipt

GENERAL WARRANTY TERMS AND CONDITIONS

DENIAL OF WARRANTY CLAIM

A warranty claim may be denied under the following circumstances:

1. Damage caused by careless handling, improper repackaging, or shipping.
2. Damage due to misapplication, misuse, abuse or failure to operate equipment as specified in the owner's manual.
3. Damage caused by failure to install products as specified in the owner's manual.
4. Damage due to unauthorized product modifications or failure to use Pentair original replacement parts.
5. Damage caused by negligence, or failure to properly maintain products as specified in the owner's manual.
6. Damage caused by failure to maintain water chemistry in conformity with the standards of the swimming pool industry for any length of time.
7. Damage caused by water freezing inside the product.
8. Accidental damage, fire, acts of God, or other circumstances outside the control of Pentair.

PENTAIR WARRANTY OBLIGATIONS

Should a defect in workmanship and/or material in any item covered by this warranty become evident during the term of the warranty, then upon the customer following the procedures set forth below, Pentair will, at its sole option, repair or replace such product or part of equal value, in lieu of repair.

Pentair is not, however, responsible under this warranty for any cost of shipping or transportation of the product or parts thereof to or from the Technical Service Department. Also, Pentair is not liable for any loss of time, inconvenience, incidental expenses such as telephone calls, labor or material charges incurred in connection with the removal or replacement of the equipment, or any other incidental or consequential damages.

The above mentioned warranties are void if the product is repaired or altered in any way by any persons, agents or representatives other than those authorized by Pentair. Expendables including, but not limited to refrigerant, recovery of refrigerant, or transportation for components are not covered under this limited warranty. Reasonable vehicle trip and evaluation charges may be assessed by a Pentair service representative. Some states do not allow the exclusion or limitation of incidental or consequential damages, so the above limitation or exclusion may not apply to you.

WARRANTIES BY OTHERS

Some Pentair products incorporate components manufactured by other manufacturers. Some of these manufacturers provide warranties in addition to the warranty provided by Pentair herein. In all such cases, a copy of the third party manufacturer's warranty will be provided with the product. To the extent protection provided under any such third party warranty exceeds the Limited Warranty provided herein, the Customer will have to contact the specific manufacturer for the additional protection.

NO OTHER WARRANTIES

To the maximum extent permitted by applicable law, Pentair disclaims all other warranties, either expressed or implied, including, but not limited to, implied warranties of merchantability and fitness for a particular purpose, with regard to the product(s), part(s) and/or any accompanying written materials.

PROCEDURE FOR OBTAINING PERFORMANCE

In order to obtain the benefits of this warranty, the consumer who made the original retail purchase must contact the Pentair Technical Service Department as soon as possible after discovery of the product related issue, but in no event later than the expiration date of the respective warranty periods provided herein. Upon receipt of this communication, Pentair will promptly notify the customer of the address to which the product may be shipped. The customer shall then ship the product, freight prepaid, to the address indicated, together with a "RETURN GOODS AUTHORIZATION" form obtained from Technical Service and a brief description of the problems encountered. Unauthorized returns will not be accepted. Freight must be prepaid by customer.

WARRANTIES OR REPRESENTATIONS BY OTHERS

No third party has any authority to make any warranties or representation concerning Pentair or its products. Accordingly, Pentair is not responsible for any such warranties or representations.

OTHER RIGHTS

This warranty gives you specific legal rights and you may also have other rights, which vary from state to state.

SOLE WARRANTY

Supersedes all previous warranty publications.

www.pentair.com/warranty

PART NUMBER INDEX

Product Catalog 2024

INDEX

BY PRODUCT NUMBERS

P/N	pg no.	P/N	pg no.	P/N	pg no.	P/N	pg no.	P/N	pg no.
0001L.....	548	023035.....	254	071423.....	544	073260.....	545	08650-0025.....	598
0002L.....	548	023055.....	496	071426.....	351, 353, 466	073261.....	545	08650-0025C.....	598
011008.....	496	023056.....	496	071426Z.....	398, 411	073262.....	545	08650-0042.....	598
011009.....	496	070112.....	500	071433.....	544	073263.....	545	08650-0048Z.....	598
011012.....	496	070118.....	503	071439.....	413	073264.....	545	08650-0058.....	598
011017.....	496	070119.....	506	071445.....	510	073265.....	545	08650-0058C.....	598
011018.....	496	07017-0079.....	602	071551.....	544	073266.....	545	08650-0067.....	598
011028.....	496	07017-0151.....	338	071559.....	413	073267.....	545	08650-0069.....	598
011055.....	496	07017-0158.....	338	071652z.....	509	073268.....	545	08650-0079.....	598
011056.....	496	070209.....	526	071652Z.....	500, 501,	073269.....	545	08650-0125.....	598
011057.....	222, 496	070225.....	544		502, 503, 504,	073270Z.....	413	08650-0158.....	598
011059.....	496	070226.....	544		506, 510, 521,	073370.....	408, 413	08650-0159.....	598
011060.....	496	070227.....	544		527, 528, 535	073680.....	545	08650-0169.....	598
011065.....	220	070228.....	544	071657z.....	509	073828.....	544	08650-0169C.....	598
011066.....	220	070249.....	521, 535	071657Z.....	500, 501, 502,	073829.....	544	08650-1403.....	328
011067.....	220	070387z.....	509		503, 504, 506,	073830.....	544	08650-1404.....	328
011068.....	220	070387Z.....	500, 501, 502,		510, 527, 528	073831.....	544	08650-2403.....	328
011075.....	220		503, 504, 506,	071660z.....	509	073832.....	544	08650-2404.....	328
011076.....	220		510, 527, 528	071660Z.....	500, 501, 502,	074164z.....	497, 522	08650-3403.....	328
011077.....	220	070429z.....	509		503, 504, 506,	074165z.....	497, 522	08650-3403E.....	328
011078.....	220	070429Z.....	500, 501,		510, 527, 528	074564Z.....	500, 501, 502,	08650-3404.....	328
011511-INT.....	228		502, 503, 504,	071681.....	544, 549		503, 504, 506	08650-3404E.....	328
011512-INT.....	228		506, 510, 513, 514,	071683.....	544	074922.....	413	08650-4403.....	328
011527-INT.....	228		525, 527, 528, 537	071687.....	543, 544	074923.....	413	08650-4404.....	328
011528-INT.....	228	070430Z.....	500, 501,	071688.....	544	074924.....	413	08650-5403.....	328
011529-INT.....	228		502, 503,	071720.....	413	074925.....	413	08650-5404.....	328
011530-INT.....	228		504, 506, 509,	071725S.....	543, 544	074926.....	408	08650-6403.....	328
011533.....	226		510, 527, 528	071732s.....	509	075136.....	511	08650-6403E.....	328
011641.....	228	070431.....	500, 501, 502,	071732S.....	500, 501,	075138.....	511	08650-6404.....	328
011642.....	228		503, 504, 506,		502, 503, 504,	075139.....	511	08650-6404E.....	328
011643.....	228		509, 510, 527, 528		506, 510, 527	075140.....	511	08655-0017.....	598
011644.....	228	070711.....	510	071734s.....	509	075141.....	511	09655-0010.....	328, 598
011656.....	262	070795.....	510	071734S.....	500, 501, 502,	075142.....	511	09655-1403.....	328
011657.....	262	070906.....	544		503, 504, 506,	075143.....	511	09655-1404.....	328
011658.....	262	070927.....	500, 501,		510, 527, 528, 554	075144.....	511	09655-2403.....	328
011659.....	262		502, 503, 504,	072172.....	413, 498, 507,	075145.....	511	09655-2404.....	328
011660.....	262		506, 509, 510		523, 524, 541, 543	075253.....	511	11201-0154.....	222,
011661.....	262	070929.....	498, 500, 501,	072173.....	413, 513, 515	075255.....	511	228, 236	
013001.....	496		502, 503, 504,	072183.....	500, 501, 502,	075271Z.....	544	11202.....	212
013002.....	236, 496		506, 509, 510		503, 504, 506,	075273Z.....	544	11204.....	212
013004.....	496	070943.....	544		509, 510, 527, 528	075275.....	544	11205.....	212
013065.....	234	070971.....	413	072184.....	498, 499, 500,	075279.....	413	11206.....	212
013066.....	234	070979.....	413		501, 502, 503,	075280.....	544	11207.....	212
013067.....	234	071019Z.....	408, 413		504, 506, 507, 509,	075287.....	544	11208.....	212
013068.....	234	071037.....	543, 544		510, 517, 519, 520,	075452.....	511	11211.....	212
013075.....	234	071046.....	544		521, 523, 524, 527,	075453.....	511	11212.....	212
013076.....	234	071048.....	544		528, 529, 535,	075454.....	511	11213.....	212
013077.....	234	071131z.....	497, 509, 522		537, 541, 543	075455.....	509, 511	11215.....	212
013078.....	234	071131Z.....	498, 499, 500,	072185.....	544	075456.....	511	11222.....	212
014700.....	545		501, 502, 503,	072536.....	584	075713Z.....	500, 501,	11226.....	212
014701.....	545		504, 506, 507,	072737S.....	545		502, 503,	11231.....	212
014702.....	545		510, 517, 519,	072739S.....	545		504, 506, 509,	11232.....	212
014703.....	545		520, 521, 541	072740S.....	545		510, 521, 527,	11240.....	212
014801.....	545	071136Z.....	413, 510	072742S.....	545		528, 535, 544	11241.....	212
014802.....	545	071320S.....	511, 520	072744S.....	545	075842.....	543	11242.....	212
014803.....	545	071321S.....	511	072747.....	544	08417-0000.....	339	11243.....	212
014804.....	545	071361S.....	545	072795.....	544	08417-0005.....	603	11250.....	210, 212
014805.....	545	071362S.....	545	072867.....	413	08417-0005B.....	603	11250-A.....	210, 212
014884.....	263	071363S.....	545	072869.....	413	08417-0005C.....	603	11252.....	212
015583.....	228	071364S.....	544	072870.....	413	08417-0100.....	339	11253.....	212
022005.....	496	071365S.....	544	072880.....	413	08417-0200.....	339	11254.....	212
022017.....	224	071366S.....	544	072927z.....	509	08428-0000.....	338	11255.....	212
022018.....	224	071390.....	413	072927Z.....	504, 510	08428-0001.....	603	11256.....	212
022019.....	224	071403.....	500, 501,	072928Z.....	500, 501,	08428-0001B.....	603	11256-B.....	212
022032-INT.....	224		502, 503, 504,		502, 503,	08428-0014B.....	603	11256-C.....	212
022033-INT.....	224		506, 509, 510,		510, 527, 528	08428-0100.....	338	11257.....	212
022034.....	224		527, 528, 538	072930.....	504, 506	08428-0125.....	603	11258.....	212
022035.....	252	071404Z.....	410, 413	073027.....	413	08429-0000.....	338	11259.....	212
022055.....	496	071406.....	466, 468, 470	073126.....	511	08429-0014.....	603	11260.....	212
022056.....	496	071406Z.....	413, 500,	073127Z.....	511	08429-0100.....	338	11261.....	212
023005.....	496		501, 502, 503,	073128Z.....	504, 506, 511	08430-0000.....	338	11270.....	212
023017.....	238		504, 506, 509,	073129Z.....	511	08430-0050.....	338	11271.....	212
023018.....	238		510, 527, 528	073130Z.....	509, 511	08434-0000.....	338	11273.....	212
023019.....	238	071413.....	498, 499,	073131A.....	504	08434-0100.....	338	11274.....	212
023032-INT.....	238		507, 523,	073131Z.....	500, 501,	08650-0007Z.....	598	11275.....	212
023033-INT.....	238		524, 529, 541		502, 503,	08650-0018.....	598	11276.....	212
023034.....	238	071422.....	353, 411, 510		511, 527, 528	08650-0022.....	598	11277.....	212

INDEX

BY PRODUCT NUMBERS

P/N	pg no.	P/N	pg no.	P/N	pg no.	P/N	pg no.	P/N	pg no.
11278	212	147405	93	152220Z	422, 424,	154599	423, 427, 428	155700	90
11279	212	147406	93		427, 428	154611	424	155701	90
11285	212	147407	93	152226	419, 425	154612	424	155702	90
11287	212	147408	93	152227	355, 356,	154613	424	155703	90
11289	212	147409	93		419, 425	154614	424	155706	90
11305	212	14819-0011	587	152228	355, 356,	154636	423	155709	355, 356
11306	212	14821-0005	587		419, 425	154638	423	155710	355, 356
11343	212	14821-0008	587	152229	355, 356,	154639	423	155711	355, 356
11420	210, 212	14823-0011	587		419, 425	154640	423	155720	90
11420-A	210, 212	14930-0012	586	152237	421	154641	424	155721	90
11421	210, 212	14930-0014	586	152238	419, 425	154661	423	155722	90
11421-A	210, 212	14930-0016	586	152290Z	420, 422, 424	154664	423	155723	90
11430	210, 212	14930-0033	586	152501	579	154687	424	155726	356
11430-A	210, 212	14962-0005	580, 582	152509Z	427, 428,	154689Z	403, 416,	155727	356
11480	210, 212	14962-0011	580, 582		513, 555		418, 423, 426	155728	356
140210	76	14962-0017	580, 582	152516	421, 423	154697	424	155730	90
140212	73	14962-0021	582	152517	421, 428	154698	422, 424	155738	424
140236	76	14962-0035	580, 582	152519Z	423	154699	555	155753	424
140243	76	14971-0005	583	152520Z	421, 579	154700	423	155765	352, 354
140264	76	14971-0006	583	153430	427	154711Z	355, 356,	155767	356
140310	92	14971-0009	583	153431	427		420, 425	155800	90
140315	92	14971-SM10E1	581, 582	153455	421	154712Z	355, 356, 397,	156100	90
140316	92	14971-SM10E10	581, 582	154001	428		420, 425, 431	156150	90
140325	90	14971-SM10E11	581	154002	428	154714	424, 428	156224	424
140335	91	14971-SM10E12	581	154003	428	154715	355, 356	156344	427
140342	92	14971-SM10E14	581, 582	154004	428	154715Z	397, 420, 425	156354	427
143461	89	14971-SM10E16	581, 582	154005	428	154716	540	156355	427
143484	89	14971-SM10E17	581, 582	154007	428	154763	424	156400	89
1440Z	523	14971-SM10E2	581, 582	154008	428	154801	423	156450	89
144126	75	14971-SM10E3	581, 582	154009	428	154803	423	156800	89
144272	89	14971-SM10E4	581, 582	154010	428	154805	423	156814	423
144284	89	14971-SM10E6	581	154016Z	428	154807	423, 427	156816	423
144296	89	14971-SM10E8	581, 582	154018	428	154856	424, 427, 428	156841	428
145201	73	14971-SM10E9	581, 582	154402	422, 424	154871Z	422, 424,	156842	428
145240	75	14971-SM20E11	581, 582	154405	424, 427		427, 428	160301	49
145241	75	14971-SM20E12	581, 582	154407	422, 424	154906	423	160310	49
145300	73	14971-SM20E50	582	154408	424, 427	154926	420, 422,	160314	50
145315	74	14971-SM20E6	581, 582	154412	603		424, 425	160315	50
145320	74	14971-SM20E7	581, 582	154412Z	424, 427, 428	155002	421	160316	50
145322	74	150035Z	423,	154416	424, 427	155005	14, 351, 352,	160317	50
145333	74		427, 428	154418	424		353, 354, 355,	160318	50
145334	420	150036	423, 427	154426	423		356, 411, 425	160332	49
145339	355, 420	150039	423	154435	423	155007	420, 422	160340	49
145341	355, 420	150040	423	154436	423	155051	422	160350	58
145343	355, 420	150041	423, 427	154437	423, 427, 428	155060	421	160351	58
145359	78	150042	423, 427	154438	423, 427, 428	155061	421	160352	58
145360	78	150046	14	154441	423, 428	155062	419, 421	160353	51
145361	78	150055	420, 425	154453	424, 427	155063	421	160354	51
145362	78	150084	355, 356,	154462	423	155064	421	160355	51
145363	78		420, 425	154489	423, 427	155151	14, 351, 352,	160448	59
145364	356, 425	150085	355, 356,	154492Z	424, 427		353, 354, 355,	16401-0010	550
145365	356, 425		420, 422,	154493	575, 579		356, 411, 425	16401-0030	550, 551
145366	356, 425		424, 425	154493Z	421, 423	155187	540	16401-0102	550
145367	74	150088	420, 422, 424	154500	423	155193	540	16401-0210	550
145368	420	150096	428	154507	427, 428	155225	421, 579	16401-2015	550
145369	425	150119	420,	154508	427, 428	155234	14, 539, 540	16401-2215	550
145370	425		422, 425	154510	424	155269	421	16830-0100	548
145385	75	15060-0000T	352, 354,	154512	579	155276	421	16830-0120	548
145386	74		367, 369, 373,	154512Z	422, 424	155284	423	16830-0209	548
145387	78		404, 414, 415, 582	154520	420, 424, 425	155299	421	16830-0210	548
145388	73	151092	424, 428	154521	421, 579	155323	421	16830-0211	548
145389	73	151114	428	154527Z	427, 428,	155324	421	16830-0212	548
145390	73	151115	428		513, 555	155331P	352, 354	16830-0320	548
146400	93	151600	428	154533	423	155333CP	351, 352,	16830-0400	548
146402	93	151602	424	154538Z	424, 427		354, 355, 356	16830-0401	550
146403	93	151604	428	154540Z	424, 427, 428	155333P	351, 352, 353,	16830-2102	548
146404	93	151608	422, 579	154559	423		354, 355, 356	16830-2103	548
146405	93	152000	419, 425	154566	95, 576, 585	155340	421	16830-2201	548
146406	93	152060	513, 515	154575Z	427, 428	155342	421	16830-2202	548
146407	93	152130	421, 579	154576	428	155358	421	16830-2203	548
146408	93	152165	355, 356, 419,	154578Z	423, 427, 428	155371	540	16831-0320	548
146409	93		421, 425, 575, 579	154579	428	155372	351, 353	16832-0320	548
147400	93	152167	579	154581	428	155374	352, 354	16833-0320	548
147401	93	152168	579	154582	428	155380Z	540	16920-0011	556
147402	93	152175	421	154596	422, 424,	155403	352, 354	16920-0012	556
147403	93	152202Z	422, 424,		427, 428	155504	419	16920-0017	556
147404	93		427, 428	154598	423	155532	419	170015	410

INDEX

BY PRODUCT NUMBERS

P/N	pg no.	P/N	pg no.	P/N	pg no.	P/N	pg no.	P/N	pg no.
170016	410	178743Z	405	191474Z	396, 397,	220074	166	226352	169
170017	410	178745Z	405		405, 410, 412	220075	166	226353	169
170018	410	178746Z	397, 405, 431	191479	577, 579	220076	166	226361	169
170019	410	178750z	406	192019	95, 396, 410	220077	166	226362	169
170020	410	178757	353, 411	192039Z	572, 573,	220078	166	226366	169
170021	410	178810	407, 408, 409		580, 584	220079	166	228061	120
170022	410	178814	408	192106	601	220080	166	228062	120
170023	396	178815	408	192115	509	220081	166	228066	120
170024	396, 412	178816	406, 407,	192115z	497, 522	220082	166	228161	120
170026	396, 412		408, 409	192115Z	422, 424, 498,	220083	166	228162	120
170027	396	178817	408		499, 500, 501,	220084	166	228166	120
170028	396, 412	178818	408		502, 503, 504, 506,	220085	166	229049	120
170029	396, 412	178820	408		507, 510, 513, 515,	220086	166	229201	120
170030	396	178821	408		517, 519, 520, 521,	220087	166	229202	120
170035	396	178827	408		523, 524, 527, 528,	220088	166	229206	120
170036	412	178828	408		529, 535, 537, 539,	220089	166	229241	120
170040	396	178829	406, 407, 409		541, 543, 555	220090	166	229243	120
170059	412	178830	407	192320	396, 410	220091	166	229244	120
170095	351	178833	406	192323	597	221001	118	229247	120
170096	397	178838	406, 407	192323Z	407	221002	118	229248	120
170097	405	178840	406, 407,	194801	396, 412	221003	118	229341	120
170099	431		408, 409	194997	407, 412	221004	118	229343	120
170102	407	178903	409	195339	396, 407, 1	221005	118	229344	120
170145	55, 347, 403	179133	49, 347, 396		410, 412	221006	118	229347	120
170146	55, 347, 403	179134	49, 347, 396	195610	396, 407,	221007	118	229348	120
170147	55, 347, 403	179135	49, 347, 396		410, 412	221008	118	229361	120
170148	55, 347, 403	179136	49, 347, 396	195611	407, 412	221101	170	229362	120
17307-0110S	525, 526,	180006	61	195612	407, 412	221102	170	229366	120
	533, 534	180007	61	195829	597	221103	170	229369	120
17307-0111S	525, 526,	180008	61	195830	338	221104	170	229600	127
	533, 534, 538	180009	61	195999	412	221105	170	229601	127
17350-0008	277	181010	96	196019	410	221106	170	229642	127
17351-0009	526,	181011	96	196024S	412	221107	170	229700	127
	533, 538	18201-0200	68, 79, 309	196052	409	221108	170	229910	127
17351-0101S	498, 499,	18201-0200H	309	196060	353, 411	222001	119	229940	127
	507, 517, 519,	18201-0300	66, 70, 309	196090	411	222002	119	229950	127
	523, 524, 525,	18202-0150	68, 79, 309	197020	413	222003	119	229960	127
	526, 529, 533,	18202-0150H	309	197120	413	222004	119	230006Z	130
	534, 538, 541	18202-0250	66, 309	198080	61, 347, 410	222005	119	230007Z	130
173703	409	188592	63	198081	61, 347, 410	222006	119	230008Z	133
174882	513, 515	188593	63	198082	347, 410	222007	119	230010Z	130, 133
175025	513, 515, 555	188594	63	198083	347, 410	222008	119	230011Z	131
175403	406	188614	62	198245z	409	222101	170	230018	133
176203	409	188615	62	198249z	407	222102	170	230019Z	133
178200	409	188616	59	200013	301	222103	170	230020	131
178546Z	397	188621	59	200014	301	222104	170	230021	133
178548Z	397	188624	59	200017	301	222105	170	230022Z	131
178550	396	188625	59	200060	204	222106	170	230033	133
178553	351, 398	190003	396, 406,	200063	201	222107	170	230037Z	131
178554	398		407, 408,	200064	204	222108	170	230040	127
178560	398		409, 410, 412	200065	204	223101	170	230041	131
178561	351, 353,	190026	413	200066	204	223102	170	230042Z	133
	398, 411	190030Z	396, 397,	200086	492	223103	170	230043Z	131
178562	351, 353,		405, 410, 412	200186	198	223104	170	230045	131
	398, 411	190034	410	200210	142	223105	170	230046Z	131
178563	351, 353,	190035	410	210396Z	568	223106	170	230047	133
	398, 411	190036	410	219000Z	143	223107	170	230051	133
178575	412	190037	410	219001Z	143	223108	170	230052	133
178578	396	190039	396	219040	143	224000	128	230054	132
178581	396, 412	190043	410	219080	143	224420	128	230055	132
178582	396, 412	190058z	406, 407,	219090	143	224470	128	230056	130, 133
178583	396, 412		408, 409	219200	143	224700	128	230057	133
178616	353, 396,	190058Z	351, 353,	219300	143	224770	128	230060	132
	411, 412		396, 397, 398,	219400Z	143	224800	128	230061	133
178626	353, 411		405, 410, 411,	219700	143	224870	128	230062	130
178627	353, 411		413, 428, 431	219800	143	225470	129	230063	131
178654	412	190059Z	355, 356,	219910Z	143	225471	129	230065	132
178655	412		420, 421, 423,	21SS	525	225570	129	230066	130
178656	353, 411, 412		425, 427, 428,	220065	166	225571	129	230067	132
178691z	407		574, 575	220066	166	226242	169	230068	132
178697z	406, 407, 409	190092	410	220067	166	226251	169	230069	130
178708	396	190106z	407	220068	166	226252	169	230070	132
178711	412	190106Z	353, 396,	220069	166	226261	169	230072	133
178731Z	397, 431		411, 412	220070	166	226262	169	230073	133
178732Z	397, 405, 431	190141	410	220071	166	226266	169	230074	131
178733Z	397, 405, 431	191474	597	220072	166	226301	169	230080	131
178741	338			220073	166	226323	169	230113	133

INDEX

BY PRODUCT NUMBERS

P/N	pg no.	P/N	pg no.	P/N	pg no.	P/N	pg no.	P/N	pg no.
230122	118	232108	121	236348	123	24850-0102S	403, 416, 418	263029	304
230123	118	232120	122	236349	124			263035	304
230124	118	232201	122	236351	126	24850-0104S	426	263036	304
230125	118	232202	122	236353	126	24850-0105	403, 416, 426	263037	304
230126	118	232203	122	236354	126			263038	304
230127	118	232204	122	236357	126	24850-0200	403, 416, 418, 426	263042	304
230128	118	232205	122	236359	124			263042Z	304, 572
230129	118	232206	122	236369	124	24851-0103S	403, 416	263043	45, 393
230130	119	232207	122	236460Z	168	24851-0105S	426	263044	45, 393
230131	119	232208	122	236612	125	24851-9000	403, 416, 418, 426	263045	38, 40, 41, 45, 393
230132	119	232401Z	122	236631	167			263047	304
230133	119	232402Z	122	236653	168	24851-9001	403, 416, 426	263053	66, 68, 70, 79, 309
230134	119	232403Z	122	236661	124			263054	585
230135	119	232404Z	122	236671	125	24900-0002	426	263055	585
230136	119	232405Z	122	236683	125	24900-0100S	426	263056	305
230137	119	232406Z	122	236701	125	24900-0500	426	263057	305
230138	119	232407Z	122	236702	125	24900-0501	426	263059	305
230139	119	232408Z	122	236703	125	24900-0503	403, 416, 418, 426	263060	305
230140	119	232501	121	236704	125			263064	61, 63, 76, 91, 306
230141	119	232502	121	236706	125	24900-0504	403, 416, 418, 426	263068	305
230142	119	232503	121	236733	167	24900-0505	426	263077	305
230143	119	232504	121	236744	125			263078	309
230144	119	232505	121	236751	126	24900-0509	403, 414, 416, 418	263079	61, 63, 76, 91, 306
230145	119	232506	121	236761	124			263080	63, 76, 91, 92, 306
230146	130	232507	121	236770	122	24900-0510	352, 354, 404, 414	263081	61, 306
230147	130	233201	122	236786	125			263085	308, 419
230148	130	233202	122	236810	168	24901-0003	426	270004	396
230149	131	233203	122	236811	168	24901-0100S	426	270006	584
230150	133	233204	122	236831	167	25010-0200	352, 354, 404, 414, 415	27001-0009S	352, 354, 404, 414
230151	133	233205	122	236862	124			27001-0011	354, 414
230152	133	233206	122	236910	168	25021-0003Z	403	27001-0015S	415
230157	121	233207	122	236946	124	25021-0021	55, 403	27001-0016S	415
230158	122	233208	122	236950	126	25021-0025	55	27001-0020S	352,
230159	122	235070	133	238510	130	25021-0100	403		352, 354,
230160	119	235080Z	133	238PDCA	517	25021-0101	403		404, 414
230161	119	235090	131, 133	23900-0032	417	25021-0200S	55, 403	27001-0011	354, 414
230162	119	235140	133	23900-0033	417	25021-0202S	55, 403	27001-0016S	415
230163	119	236011	168	23900-0039	417	25021-0223S	55, 403	27001-0020S	352,
230164	119	236014	168	23900-0144	417	25021-0224S	55, 403		354, 404,
230165	119	236016	168	23900-0350	417	25021-1021	68, 416		414, 415
230166	119	236031	167	23900-1170	417	25021-1025	68, 416	27001-0022	352, 354,
230167	119	236033	167	23900-1171	417	25021-2021	79, 426		403, 404,
230168	169	236034	167	23900-1172	417	25021-2025	79, 426		414, 415, 416,
230169	169	236040	124	23900-1173	417	25022-0201S	55, 403	27001-0030S	404, 415
230170	169	236050	168	23900-1174	417	25022-0203S	55, 403	27001-0051	352, 354,
230171	169	236060	124	23900-1175	417	25022-0224S	55, 403		404, 414, 415,
230172	169	236061	124	23900-1220S	416	25022-0225S	55, 403	27001-0054S	352, 354,
230174	131	236062	124	23900-1221S	416	25023-0160S	70, 418		404, 414, 415
230175	131	236066	124	23901-0350	417	25023-0172S	70, 418	27001-0060S	404, 414
230176	131	236069	124	23910-0013S	418	261049	61, 63, 76, 91, 307	27001-0061S	352, 354,
230330	167	236079	122	23910-0100S	418				404, 414, 415
230349	166	236141	124	23910-0101S	418	261050	63, 76, 91, 92, 306	27001-0130S	57, 65,
230350	166	236143	124	23910-1100S	70, 418				352, 354,
230351	166	236144	124	23911-0100	416	261055	63, 76, 91, 92, 306		404, 414
230352	166	236147	124	23911-0101	416			27001	584
230363Z	131	236148	124	23911-0102	416	261058	604	27002-0030S	65,
230364Z	131	236151	168	239390	165	261067Z	580		354, 414
230400	168	236166	124	239850	165	261124	308, 421	27002-0036S	65, 67,
230500	168	236169	124	24206-0103S	404, 415	261142	61, 306		414, 415
231000	127	236200	127	24700-0029	426	261152	61, 306	27002-0048S	67, 415
231100	122	236240	123	24750-0624	309	261173	63, 76, 91, 306	27002-0100S	57,
231201	122	236241	123, 124	24752-0050	403, 416, 418	261177	61, 306		352, 404
231202	122	236242	123, 124	24800-0100	417	261185	308, 421	27002-0125S	57, 404
231203	122	236243	123			261193	134, 310		57, 404
231204	122	236244	123	24800-0120	354, 414, 415, 417, 418	262504	308	27002-0150S	57,
231205	122	236246	124			262505	308		352, 404
231206	122	236247	123	24800-0121	352, 404	262506	308, 355, 356, 419, 421, 425	27002-0175S	57, 404
231207	122	236251	126	24801-0101	417			27002-0200S	57, 404
231208	122	236252	126	24850-0008Z	403, 416, 418, 426	262507	306	27002-0300S	57, 404
2313	593	236254	126	24850-0009	403,	262508	68, 79, 306	270021	572
232101	121	236257	126			262509	66, 306	270028	572
232102	121	236341	123, 124	24850-0010	403, 416,	262511	306	270030	572
232103	121	236342	123, 124			262525	308, 419, 421, 425	270032	572
232104	121	236343	123	24850-0016	403,			270038	572
232105	121	236344	123			263026	304	270056	572
232106	121	236346	124			263027	304	270067	579
232107	121	236347	123			263028	304		

INDEX

BY PRODUCT NUMBERS

P/N	pg no.	P/N	pg no.	P/N	pg no.	P/N	pg no.	P/N	pg no.
270068	579	272554	575	285003	135, 336	297213	138	340097-INT	232
270075	572	272555	575	285004	135, 336	297224	138	340098-INT	232
270077	393	272556Z	574	285005	135, 336	297244	138	340148	258, 261, 542
270078	393	272557Z	574	285006	135, 336	297254	141	340149	258, 261, 542
270094	572	272558Z	574	285008	135, 336	297278	141	340150	258, 261, 542
270100	61, 63, 396, 410	272567Z	574	286101	136, 337	297400	141	340151	258, 261, 542
270106Z	573	272568Z	574	286102	136, 337	297601	138	340155	259, 261, 542
270107Z	573	272569	420, 422, 425	286114	136, 337	297903	138	340156	259, 261, 542
270115Z	573	272573Z	574	286123	136, 337	298200	140	340157	259, 261, 542
270116Z	573	272576Z	574	286125	136, 337	298204	140	340159	259, 261, 542
270118Z	573	272590Z	574	286136	136, 337	298205	140	340237	258, 261, 542
270119Z	305, 573	272599	575	287101	137	298206	140	340238	258, 261, 542
270134	585	272599Z	422	287102	138	298235	136, 337	340604	258, 261, 542
270141	585	273062	584, 585	287103	137	298268	140	340605	258, 261, 542
270141Z	517, 519, 520, 521, 535, 537	273062Z	407, 540	287104	137	298302	140	340606	258, 261, 542
270187Z	580	273063	585	287106	137	298601	140	340607	258, 261, 542
270190Z	580	273064	585	287108	137	300005	72	340608	258, 261, 542
270197Z	580	273071	427, 428, 585	287111	137	301100	144	340609	258, 261, 542
270199Z	580	273077	585	287121	137	301300	144	340610	258, 261, 542
270200Z	580	273089	585	287143	138	30747-0152	548	340611	258, 261, 542
270210Z	574	273090	585	287151	138	30767-0011	550	342002	230
270514Z	580	273106	585	287153	137	310010Z	431	343001	244
271065	584	273207	579	287163	137	32155-4133	581	34302-0518	586
271072Z	573	273208	579	287174	137	32155-4136	581	345076	241
271073Z	573	273211	579	287186	137	32155-4171	581	345077	241
271074Z	573	273241Z	585	287196	137	32850-0099	435, 436, 441, 451, 456, 459	345078	241
271077Z	573	273512	575	288101	136, 337			345079	241
271092	95, 424, 427	273512Z	427, 428	288102	136, 337	33450-8041	548, 550	345211	513
271094	95, 424, 427	273564Z	427, 428	288103	136, 337	33450-8042	548	347910	528
271096	61, 95, 396, 410, 424, 427	274402Z	574	288104	136, 337	33455-1047	529, 538	347916	262
271103	579	274404	579	288106	136, 337	33455-1050	404, 414	347917	262
271104	577, 579	274407	576, 579	288108	136, 337	33455-8043	548	347926-INT	228
271106	575, 579	274416Z	580	289101	136, 337	33455-8044	548	347927-INT	228
271140	579	274417Z	580	289102	136, 337	33455-8045	548	347928-INT	228
271141	579	274421Z	580	289103	136, 337	33455-8046	548	347929-INT	228
271148Z	577, 579	274426	63, 396, 412, 576	289106	136, 337	33600-0023T	403, 416, 418, 426	347930-INT	228
271151	579	274426Z	95, 424, 427, 580	289108	136, 337	340013	259, 543	347935	262
271156	577, 579	274440	584	290010	141	340014	259, 261, 542	347938	262
271157	579	274494	576, 579, 580, 584	290050	141	340016	259, 261, 542	347940	262
271158	579	274494Z	422, 424, 427, 428	290060	140	340017	259, 261, 542	347941	262
271160	579	274495	427	290208	136, 337	340018	259, 261, 542	347942	262
271161	579	274556	579	290218	137	340019	258, 261, 542	347943	262
271163	579	274651	579	290221	141	340020	258, 261, 542	347944	262
271164	579	274725	95	290223	141	340021	258, 261, 542	347945	262
271165	579	275300	584	290228	137	340022	258, 261, 542	347948	262
271166	579	275333	421, 579	290244	137	340023	258, 261, 542	347950	264
271168	579	278006	584	290252	141	340024	258, 261, 542	347961	264
271169	579	278019	584	290262	141	340026	259, 261, 542	347963	262
271193	575, 576	278020	584	290265	141	340027	259, 261, 542	347964	262
271PZ	525	278021	584	294076	136, 337	340028	259, 261, 542	347967	263
272035	579	278022	584	294206	140	340029	259, 261, 542	348001	262
272120	576	280000	140	295001	140	340030	258, 261, 542	348021-INT	232
272400	575, 576	280024	137	295003	139	340031	258, 261, 542	348022-INT	232
272402	576	280025	137	295013	140	340032	258, 261, 542	348144-INT	232
272403	576	280101	138	295202	140	340033	258, 261, 542	348145-INT	232
272405	575, 576	280182	138	295204	140	340034	258, 261, 542	348146-INT	232
272409	576	280184	138	295205	140	340035	258, 261, 542	348147-INT	246
272412	576	280402	137	295208	140	340045	261, 542	348148-INT	246
272413Z	576	280418	138	295230	140	340046	261, 542	348149-INT	246
272422	576	280420	137	295250	140	340047	261, 542	348150-INT	240
272433	576	284001	136, 337	295290	140	340048	261, 542	348151-INT	240
272505	575	284002	136, 337	295300	140	340049	261, 542	348152-INT	240
272511	575	284006	136, 337	295301	139	340080	261, 542	348153-INT	240
272512	575	284071	136, 337	295302	139	340081	261, 542	348185	240
272520	575, 576	284072	136, 337	295304	139	340082	261, 542	348190	232
272528	577	284076	136, 337	295305	139	340083	261	348191	246
272530	575	284161	136, 337	295308	139	340084	261, 542	348195	248
272531	575	284171	136, 337	295314	140	340085	261, 542	348196	250
272535	575	284202	136, 337	295346	139	340086	261, 542	348196SR	250
272541	355, 356, 574, 575, 579	284272	136, 337	295800	140	340088	248	348197	248
272541Z	419, 421, 425	284306	136, 337	296205	136, 337	340089	248	348197SR	250
272546	428	285000	140	297002	138	340090	248	348198	248
272550	575, 579	285001	135, 336	297005	137	340094-INT	232	348198SR	250
		285002	135, 336	297201	141	340095-INT	232	348199	248
				297206	141	340096-INT	232	348199SR	250
								348200	248

INDEX

BY PRODUCT NUMBERS

P/N	pg no.	P/N	pg no.	P/N	pg no.	P/N	pg no.	P/N	pg no.
348200SR.....	250	350612.....	499, 500,	354548Z.....	540	35505-1273.....	598	355441.....	513, 515, 555
348201.....	248		503, 506,	354552.....	539, 540	35505-1313.....	448,	355468Z.....	513, 514
348201SR.....	250		524, 526, 528	354570.....	95		460, 587	355469.....	513, 514
348202.....	248	350621.....	499, 500,	354571.....	351, 352, 353,	35505-1318.....	586	355495.....	512, 555
348202SR.....	250		503, 506		354, 355, 356	35505-1401.....	587	355544.....	514, 555
350013z.....	509	350701.....	524, 526, 528	354571Z.....	412, 540	35505-1412.....	583	355545Z.....	514, 555
350013Z.....	500, 501,	350721.....	500	354588.....	355, 356	35505-1423.....	403, 416,	355604Z.....	514
	502, 503, 504,	351021.....	503	354621.....	540		418, 426	355612.....	519, 535, 537
	506, 510, 513, 515,	351089.....	517, 519,	354629.....	512	35505-1424.....	403, 404,	355617.....	520, 537
	527, 528, 543, 555		535, 537	354630.....	540		416, 418, 426	355618.....	519, 520, 537
350015Z.....	500, 501,	351090.....	517, 519,	354632.....	540	35505-1425.....	403, 416,	355619.....	521, 535
	502, 503, 504,		535, 537	354633.....	540		418, 426	355619Z.....	421, 517,
	506, 509, 510	351094.....	517, 519,	354634.....	540	35505-1426.....	533		519, 520, 537
350017.....	539		535, 537	354803S.....	510, 520	35505-1428.....	403	355621.....	517, 519, 520,
350018.....	539	351137S.....	543	354804S.....	512, 514, 537	35505-1429Z.....	403		521, 535, 537
350024.....	540	351157.....	232, 246,	354805S.....	511	35505-1440Z.....	498, 499,	355637.....	513
350035.....	543		517, 519, 520,	354806S.....	514		507, 524,	355639.....	513
350037.....	543		521, 535, 537	354807S.....	511		525, 526, 529,	355641.....	513
350060.....	543	351446Z.....	498, 499,	354808S.....	514		533, 534, 538	355667Z.....	517, 519,
350063.....	543		507, 523,	354809S.....	508, 511	35505-410001.....	541		520, 521,
350073.....	543		524, 529, 541	354810S.....	514, 530	35505-7438.....	418		535, 537, 539
350082.....	500, 503, 506	35202-0959.....	403, 416,	354811S.....	508, 511	355067Z.....	512, 520, 537	355669.....	515
350083.....	542		418, 426	354812S.....	514, 530	355068.....	512, 555	355670.....	515
350087.....	543	352032Z.....	523	354813S.....	508	355069.....	512, 555	355671.....	515
350088S.....	511	352245.....	540	354814S.....	514, 530	355074Z.....	512, 519,	355672.....	515
350089Z.....	517, 519,	352256.....	540	354815S.....	508, 510, 520		520, 537	355674.....	515
	520, 521	352401.....	498, 499,	354816S.....	512, 514,	355077.....	512	355675.....	515
350090Z.....	517, 519,		500, 501, 502,		530, 537	355078.....	512	355676.....	515
	520, 521		503, 504, 506	354817S.....	508, 510	355086Z.....	512, 520, 537	355685.....	498, 501,
350091Z.....	517, 519, 520,	352501.....	523, 524, 525,	354818S.....	514, 530	355093.....	512, 520, 537		502, 504,
	521, 535, 537		526, 527, 528	354819S.....	508	355094.....	512		523, 525, 527
350093.....	517, 519, 520,	353002.....	540	354820S.....	530	355095.....	512	355901.....	513, 555
	521, 535, 537	353010.....	517, 519	354821S.....	510, 520	355122.....	540	355902.....	513, 555
350094.....	517, 519,	353020.....	275, 373,	354822S.....	512, 514, 537	355140.....	555	355914.....	513, 555
	520, 521		552, 554	354823S.....	510, 520	355141.....	555	355930.....	543
350101.....	510, 528	353040.....	274, 553	354824S.....	512, 514, 537	355142.....	555	355931.....	543
350103.....	539	353110.....	517, 519	354825.....	543	355147.....	514	355932.....	543
350105S.....	499, 500,	353123.....	517, 519	354881.....	540	355148.....	514	355933.....	543
	503, 506	353124.....	519	354882.....	540	355187.....	514	355949.....	519
350107.....	499, 500,	353127.....	519	355002S.....	511	355188Z.....	514	355949Z.....	517
	503, 506,	353128.....	519	355003S.....	520	355221.....	555	355984.....	513
	524, 526, 528	353129Z.....	519	355004Z.....	512, 514, 555	355222S.....	555	355986.....	513
350108.....	500, 503,	353132S.....	519	355008S.....	510, 520	355227z.....	509	356012Z.....	519, 520, 521
	506, 528	353133S.....	519	355009S.....	512, 514, 537	355227Z.....	500, 501, 502,	356071Z.....	517, 519
350122Z.....	222, 236, 498,	353134S.....	519	355010S.....	510, 520		503, 504, 506,	356072Z.....	517, 519
	499, 500, 501,	353135S.....	519	355011S.....	512, 514, 537		510, 527, 528	356073.....	498, 507,
	502, 503, 504,	353141Z.....	525	355012S.....	510, 520	355232S.....	512, 514, 537		523, 524, 529
	506, 523, 524,	353250.....	528	355013S.....	512, 514, 537	355270Z.....	514	356091z.....	497
	525, 526, 527, 528	353252.....	524, 526	355014S.....	508, 510	355300Z.....	513, 515, 555	356096z.....	497
350142.....	500, 503,	353310.....	524, 526	355015S.....	512, 514,	355301Z.....	513, 515, 555	356099z.....	497
	506, 528	353316S.....	508		530, 537	355302.....	515, 555	356101z.....	497
350166.....	543	353317S.....	508	355016S.....	508, 511	355305.....	513, 514, 555	356149z.....	497
350170.....	520, 537	353318S.....	530	355017S.....	512, 514, 530	355309.....	513, 515	356156z.....	497, 522
350171.....	543	353319S.....	512, 514, 530	355018S.....	511, 520	355315Z.....	514	356159z.....	497
350198.....	527, 528	353323.....	498, 499,	355019S.....	512, 514, 537	355317.....	514, 555	356159Z.....	221
350199.....	500, 501,		507, 523,	355020S.....	511, 520	355318Z.....	513, 515, 555	356163z.....	497, 522
	502, 503,		524, 529, 541	355021S.....	512, 514, 537	355320.....	514, 555	356165s.....	497, 522
	504, 506, 511	35402-0074Z.....	417	355022S.....	511, 520	355329Z.....	513, 515, 555	356166z.....	497, 522
350201.....	506	35404-0319.....	550	355023S.....	512, 514, 537	355330.....	596	356167z.....	497, 522
350202.....	500, 501,	354044.....	501	355024S.....	511, 520	355330Z.....	421, 513,	356172z.....	497
	502, 503, 504,	354045.....	525	355025S.....	512, 514, 537		515, 555	356173z.....	497, 522
	506, 509, 510, 511	354053.....	575	355026S.....	508, 511, 520	355331Z.....	513, 514,	356175z.....	497
350203.....	511, 527, 528	35407-0071.....	583	355027S.....	512, 514,		517, 519, 555	356177z.....	497, 522
350250Z.....	222, 236	354103.....	540		530, 537	355334Z.....	513, 514,	356189z.....	497, 522
350305S.....	498, 501,	354112.....	513, 515	355028.....	512		517, 519,	356190z.....	497, 522
	502, 504	354113.....	540	355029.....	512		520, 537, 555	356196.....	236, 241,
350306S.....	523, 525, 527	354265.....	513, 515, 555	355030.....	521, 535	355335.....	513, 515, 555		277, 348, 525,
350310.....	528	354290.....	517, 519	355030Z.....	513, 519,	355369Z.....	514		526, 527, 533
350336Z.....	498, 499,	354530Z.....	540		520, 537	355375S.....	512, 514	356197.....	230, 232, 244,
	507, 523, 524,	354531.....	540	355034S.....	512, 514, 530	355376S.....	512, 514, 537		246, 277, 348, 520
	529, 541	354533Z.....	540	355043.....	512, 520, 537	355377S.....	512, 514, 537	356198.....	222, 228,
350444.....	540	354541.....	540, 575	35505.....	523	355378S.....	512, 514		277, 348, 500,
350481.....	540	354542.....	540	35505-1116.....	586, 587	355384.....	514		501, 502, 503,
350601.....	499, 500,	354545S.....	512, 514,	35505-1228.....	580, 582	355385.....	513, 514, 555		504, 506, 511, 527
	503, 506		519, 520, 537,	35505-1243.....	582	355389Z.....	513, 514,	356199.....	277, 348,
			539, 540, 555	35505-1246.....	586		517, 519, 520,		513, 515
		354545SS.....	521, 535	35505-1272.....	580, 582		537, 555	356210s.....	497, 522

INDEX

BY PRODUCT NUMBERS

P/N	pg no.	P/N	pg no.	P/N	pg no.	P/N	pg no.	P/N	pg no.
356210S	512, 514, 520, 537	356954	348	357521Z	498	360152	378	360317	376, 377
356213z	497, 522	356956	348	357527Z	498, 501, 502, 504	360153	378	360318	363, 365
356213Z	521, 535	356958	348	357603	500, 501, 502, 503, 504, 506, 527, 528	360154	378	360320	363, 365
356214z	497	356962	348	357809	521	360170	358	360321	14, 19
356215z	497, 522	356971Z	501	357810	534, 535	360227	379	360322	18
356219z	497, 522	357098Z	525, 526, 533, 534, 538	357824S	554	360228	26	360326	375, 377
356221z	497, 522	357099	534	357831Z	221	360229	363	360327	375, 377
356226z	497, 522	357099Z	525, 526, 533	357832Z	221	360230	363	360330	26
356237	501, 502, 527	357100z	509	357833z	497, 522	360231	363	360337	361
356238	501, 527	357100Z	500, 501, 502, 503, 504, 506, 510, 527, 528	357841Z	534	360233	363	360339	361
356279	509, 517	357102Z	500, 503, 510	357843	552	360234	363	360340	358, 359, 361
356280	517	357149	500, 503, 506, 509, 510, 517, 519, 520	357865	497, 522	360235	363, 365	360341	361
356282	509, 517	357150	510, 527, 528	357866z	497, 522	360236	363, 365	360342	358, 359, 361
356283	517	357151Z	500, 501, 502, 503, 504, 506, 509, 510, 527, 528	357869	497	360237	363, 365	360343	361
356286s	509	357156	228, 500, 503, 506, 509, 510, 528	357870	522	360238	363	360344	361
356286S	517	357157	510, 527, 528	357872	497, 522	360239	363	360345	361
356287S	517	357158	527, 528	357910	545	360240	363, 365	360346	361
356288S	517	357159	510, 527, 528	357923z	509	360241	363, 365	360347	361
356289s	509	357160	499, 510, 523, 524, 527, 528	357923Z	507, 511, 517, 519, 520	360242	363, 365	360348	361
356289S	517	357161Z	422, 424, 510, 513, 515, 517, 519, 523, 524, 527, 528, 529, 535, 537, 539, 541, 543, 555	357924Z	513, 515, 517, 519, 529, 533, 537	360243	363, 365	360349	361
356290S	517	357184	543	357930	545	360244	363, 365	360350	361
356320z	497, 522	357199Z	500, 501, 502, 503, 504, 506, 509, 510	357935	545	360245	363, 365	360351	361
356324z	509	357204S	544	358085	541	360246	363	360352	361
356324Z	230, 244, 252, 254, 517, 541	357205S	544	358086	541	360247	363	360354	361
356337z	522	357206S	544	358089	541	360248	363	360355	361
356338z	522	357207S	544	358090	541	360249	363, 365	360358	361
356339z	522	357208S	544	358091	541	360250	363, 365	360359	361
356341z	522	357209S	545	358092	541	360251	363, 365	360362	359
356345z	522	357210S	545	358093	541	360252	363, 365	360363	358, 359
356347z	522	357211S	545	358094	541	360253	363, 365	360364	358, 359
356348z	522	357212	259	358095	541	360254	363, 365	360365	358, 359
356349z	522	357213	539	358096	541	360255	363, 365	360366	358, 359
356356Z	521, 535	357215	539	35817-0056	586, 587	360256	363	360367	358, 359
356357Z	521, 535	357227	539	358527Z	523, 525, 527	360257	363	360370	358, 359
356358Z	521, 535	357228Z	539	35857-0021	580, 582	360258	363, 365	360371	358, 359
356359Z	534	357238S	545	35857-0031	550	360260	363, 365	360372	358, 359
356362S	534, 535	357239	539	359507	513, 515	360261	363	360373	358, 359
356363S	510, 521	357243	500, 501, 502, 503, 504, 506, 509, 511, 511, 527, 528	359526S	508	360262	363	360374	359
356365z	497, 522	357244	511, 527, 528	359527S	530	360263	363	360375	358, 359
356365Z	221	357245S	545	360002	367, 369, 371	360264	363	360376	359
356368z	522	357246S	545	360003	369, 370	360265	363, 365	360377	358, 359
356546	540	357247S	545	360004	369, 370	360266	363, 365	360378	358, 359
356630S	511, 520	357249S	545	360005	371	360268	363, 365	360379	358, 359
356657Z	525	357250	545	360006	369, 371	360269	363	360380	358, 359
356710	543	357251	545	360007	369, 371	360270	363, 365	360381	358, 359
356725	543	357254	539	360008	371	360274	363	360382	358, 359
356750	543	357255	521, 535	360009	367, 369, 371	360283	375	360383	358, 359
356755	543	357255Z	517, 519, 520, 537, 539	360010	369	360284	374, 375	360384	358, 359
356776	543	357259	272	360011	369, 370	360285	375, 377	360385	358, 359
356780	543	357260	264, 272	360012	369, 371	360286	375	360388	358, 359, 361
356788	543	357261	272	360013	369, 371	360287	375, 377	360391	363, 365
356789	543	357262	259, 264, 266, 268, 272	360014	369, 371	360288	375, 377	360392	363, 365
356790	543	357263	259, 264, 266, 268, 272	360016	370	360289	374, 375, 376, 377	360394	379
356795	543	357294S	524, 526, 528	360017	370	360290	374, 375, 376, 377	360400	358, 359
356797	543	357323	539	360018	371	360291	375, 377	360414	363, 365
356878Z	498, 501, 504	357391	513, 515	360019	371	360292	374, 375, 376, 377	360415	365
356879Z	498, 499, 501, 503, 504, 506			360020	371	360293	374, 375, 376, 377	360416	365
356880Z	501			360022	371	360294	374, 375, 376, 377	360417	365
356892Z	523, 525			360023	371	360295	374, 375, 376, 377	360418	365
356893Z	523, 525			360024	371	360296	374, 375, 376, 377	360419	365
356896Z	498			360025	371	360297	374, 375, 376, 377	360420	365
356898Z	523			360026	371	360298	375, 377	360421	365
356904Z	498, 501, 502, 504			360027	371	360299	374, 375, 376, 377	360422	365
356905Z	236, 523, 525, 527			360028	367	360300	374, 375	360423	365
356910Z	502			360029	358, 359, 361	360304	377	360424	365
356911Z	502			360040	22	360305	376, 377	360425	365
356912Z	527			360042	22	360306	377	360426	365
356913Z	527			360046	22	360308	377, 383	360428	365
356922Z	501			360049	22	360309	376, 377	360429	365
356944Z	501			360100	14, 23			360430	365
356950	348			360127	367			360431	365
356952	348			360128	367			360434	363, 365
				360151	20			360436	365
								360437	363, 365
								360445	358
								360446	358

INDEX

BY PRODUCT NUMBERS

P/N	pg no.	P/N	pg no.	P/N	pg no.	P/N	pg no.	P/N	pg no.
360447	358	370185	373	39104500	351, 353	401655Z	523	401655Z	454, 458
360450	23	370186	373	39104500Z	398, 411	410001	498, 499, 507, 523, 524, 529	42002-0009	459
360451	383	370187	373	391050	151, 291	410002	498, 499, 507, 523, 524, 529, 541	42002-0024S	435, 451, 456, 459
360452	383	370189	373	391060	151, 291	410009	221	42002-0025S	435, 451, 456, 459
360453	374, 376, 383	370198	369, 370, 373	391130	151, 291	410016z	406, 407, 409, 497, 522	42002-0031Z	450, 454
360454	383	370239	275, 373, 554	391205	151, 291	410016Z	498, 499, 507, 523, 524, 529, 541, 564	42002-0032Z	450
360455	383	370258Z	369, 371	391230	151, 291	410020	498, 499, 507, 523, 524, 529, 541, 564	42002-0033Z	450
360458	383	370405Z	367	391270	151, 291	410020z	407	42002-0034Z	450, 451, 454, 456
360460	383	370406Z	367	391800	153, 299	410028	497, 522	4231033	393
360462	383	370478Z	381	391900	153, 299	410029	221, 497, 522	45361000	182
360463	383	370482Z	381	39300600Z	577	411000	498, 499, 507, 523, 524, 529, 541, 564	45361500	183
360465	383	370483Z	381	399150	151, 291	41100-0027	385	460730	104
360466	383	370486Z	381	399180	151, 291	411101Z	580	460731	104
360467	383	370492Z	381	400000	498, 499, 507, 541	41200-0130	379	460732	104
360468	383	370494Z	381, 382	400002	498, 499, 507, 541	41200-0131	378	460733	104
360473	20	370496Z	381	400004Z	498, 499, 507, 541	41200-0133	379	460734	104
360476	193	370497Z	381	400006	498, 499, 507, 541	41200-0134	379	460735	104
360477	374	370498Z	381	400007z	497, 522	41200-0200	378, 383	460736	104
360478	376	370499Z	381	400007Z	498, 499, 507, 523, 524, 529, 541	41200-0209	380	460737	104
360480	374	370500Z	381	400010	498, 499, 508, 523, 524, 530	41200-0210	378	460738	110
360481	376	370521	381	400011	541	41200-0211	374, 375, 376, 378	460739	450
360482	374, 376	370524	381	400011z	508, 530	41200-0212	374, 375, 376, 377, 379, 382	460740	450
360483	374, 376	370533	381	400012	224, 238, 252, 254, 499, 507, 524, 529, 541	41200-0214	382, 384	460741	110, 450
360485	374, 376	370536Z	381	400013Z	507, 511, 520	41201-0213	380	460742	110, 450
360487	374, 376	37062-0130	587	400015Z	498, 499, 508, 523, 524, 530	41201-0236	374, 375, 376, 377, 382, 383	460743	450
360488	374	37107-0085	586	400020Z	508, 530	41201-0242W	380	460744	450
360489	376	371208	488	400023Z	508, 530, 541	412-0213	374	460745	450
360490	374, 376	371252	488	400030Z	507, 529, 541	4142700	540	460746	450
360491	374, 376	371253	488	400031Z	498, 499, 507, 523, 524, 529	42001-0001S	458	460748	448
360492	374, 376	371254	488	400032Z	523, 524, 529	42001-0008S	459	460749	448
360496	361	371255	488	400100	499, 500, 501, 502, 503, 504	42001-0030S	451, 456, 459	460750	450
360498	361	371508Z	385	400605Z	499	42001-0051S	450, 454, 458	460751	450
360499	359	371514Z	385	400611Z	508	42001-0053S	435, 436, 441, 451, 456, 459	460752	104
360500	358, 359	371526Z	385	400612Z	508	42001-0057S	459	460753	104
360501	359	37207-0027	598	400617Z	508	42001-0060S	435, 436, 441, 448, 452, 460	460754	450
360502	358, 359	37207-0430	603	400618Z	508	42001-0061S	435, 451, 456, 459	460800	104
360503	358, 359	37207-0728	418	400619Z	508	42001-0063S	435, 436, 441, 451, 456, 459	460806	104
360504	358, 359	37207-0825	598	400632Z	508	42001-0066S	451, 456, 459	460833	116
360506	358	37337-356073	541	400633Z	508	42001-0074S	450, 458	460863	116
360507	358	37337-6080	498, 499, 507, 523, 524, 525, 526, 529, 538	400634Z	508	42001-0085S	110, 458	460923	448, 460
360516	347, 375			400655Z	498	42001-0105S	451, 456, 459	460924	448, 460
360517	347, 374			401000	523, 524, 529, 541			460925	448
360518	358, 359, 361			401002	523, 524, 529, 541			460928	116
360519Z	552	37416-0004	598	401004Z	523, 524, 529, 541			460929	116
360521	361	37416-0005	598	401006	523, 524, 529, 541			460930	116
360526	274	37447-	548	401014Z	513, 515, 529, 537			460931	116
360534	347, 377	38000-0007S	448, 460	401100	524, 526, 527, 528			460932	116
360535	347, 376	381100	150, 290	401101	528			460933	116
360540	18	381110	150, 290	401605Z	524			460934	116
360541	358	381210	150, 290	401607Z	530			460935	116
360547	358, 359	381250	150, 290	401609Z	530			460937	116
3642220457	550	383001	152, 298	401611Z	530			460941	460
370006	604	383002	152, 298	401612Z	530			460958	116
370017	367, 369, 371, 373	383003	152, 298	401613Z	530			460960	116
370024	373	383007	152, 298	401617Z	530			460961	116
370025	373	383101	150, 290	401618Z	530				
370058	373	383110	150, 290	401619Z	530				
370059	373	383200	152, 298	401632Z	530				
370060	373	383201	150, 290	401633Z	530				
370073	373	383220	150, 290	401634Z	530				
370112	373	38404-4097S	436, 441, 450, 454, 458, 462						
370161	373	38405-4089	587						
370163	373	385001	152, 298						
370165	373	385002	152, 298						
370168	373	385003	152, 298						
370169	373	385007	152, 298						
370170	373	385012	152, 298						
370171	373	38917-0203	548						
370173	373	38917-0204	548						
370174	373	39010200z	406, 407, 408, 409						
370176	373	39010200Z	396, 410, 412						
370177	373	391001	151, 291						
370178	373	391010	153, 299						
370179	373	391034	151, 291						
370180	373								
370184	373								

INDEX

BY PRODUCT NUMBERS

P/N	pg no.	P/N	pg no.	P/N	pg no.	P/N	pg no.	P/N	pg no.
460962	116	473034	468, 470	474031	466	475601	436, 441, 463	476081Z	436, 441, 462
460964	116	473035	468, 470	474058	447, 460	475603	436, 441	476101	436
460965	116	473054Z	461, 466	474059	447	475604	436	476102	436
460967	116	473116	470	474060	447, 460	475606	436, 462	476105Z	461
460969	98	473117	470	474061	447, 460	475608	436	476106	436, 441
461000	104	473121	461, 465, 468, 470	474062	447, 460	475609	436	476118Z	463
461001	104			474063	447	475610	436	476198	452
461002	450	473134	470	474064	460	475611	436, 441	476223	435, 451, 456, 459
461007	448, 460	473135	466, 468, 470	474065	447, 460	475612	100, 436		
461020	104	473136	470	474089	466	475613	436	476227Z	465
461021	104	473139	465, 468, 470	474094	458	475614	436	476228Z	465
461030Z	466	473144	470	474095	458	475615	436, 462	476229Z	461, 465
461031	104, 110	473145	470	474096	460	475617	436	476230Z	465
461058	106	473149	463, 466, 468, 470	474097	460	475618	436, 441	476233	465
461059	106			474193	466	475619	436, 441	476234Z	463
461060	106	473150	463, 466, 468, 470	474194	466	475620	436, 441	476352Z	466
461061	106			474196	466	475621	436	476364	441
461062	110, 454	473154	466	474197	464, 466	475622	436, 441	476365	441
461063	110, 450, 454	473155	463, 466, 468, 470	474198	464, 466	475623	436	476366	441
461100	110, 348, 435, 450, 458			474200	448, 460	475624	436	476367	441
461101	110, 348, 435, 451, 459	473172	470	474201	458	475669	448	476368	441
461102	110, 348, 435, 448, 460	473175	470	474202	466	475777Z	436	476369	441
461103	441	473285	465, 468, 470	474203	466	475877	462	476370	102, 441
461104	441	473294	468, 470	474230	466	475899Z	462	476371	102, 441
461105	435, 451, 456, 459	473295	465, 468, 470	474237	463, 466	475900Z	462	476372	441
461106	441, 451, 456, 459	473315	466, 468, 470	474241Z	465	475901Z	463	476373	441
461107	451, 456, 459	473320	470	474242	466	475902Z	462	476374	441
461112	102	473368	468, 470	474248	466	475905Z	463	476375	102, 441
461113	100	473381	464, 466, 468, 470	474265	466	475911Z	463	476376	441
462023	436, 441, 462	473412	466, 468, 470	474267	466	475912Z	464	476377	441
462032	116	473416	470	474270Z	466	475918Z	462	476378	441
462033	116	473417	470	474285Z	462	475926Z	463	476380	441
462042	98	473422	466, 468, 470	474291Z	465	475927Z	463	476381	441
462048	102, 104, 106, 108	473423	466, 470	474292	450, 454	475928Z	463	476382	441
462051	448	473424	470	474321	466	475929Z	463	476383	441
462052	460	473431	466, 468, 470	474322Z	466	475930Z	463	476384	441
462054	436	473432	466, 468, 470	474323Z	466	475931Z	463	476385	441
462057	102, 441	473433	466, 468, 470	474327	466	475932Z	463	476386	441
462065	441	473603	468	474405	452	475933Z	463	476389	441
462066	462	473603Z	466	474407	452	475938Z	461	476400	441
462067	462	473605	466, 468, 470	474845	106, 110, 454	475939	461	476401	441
46540000	338	473606	463, 466, 468, 470	474952	450, 454, 458	475940Z	461	476409	441
46540100	338	473655	468	474953	448	475941	463	476417	441
46550000	339	473656	463, 466, 468	474954	448	475943	462, 464	476419	441
46550015	339	473656	464, 465, 468	474955	448	475948Z	461	476420	441
46550065	339	473665	464, 465, 468	474956	448, 460	475949	461	476421	441
470137	466, 468, 470	473693	468, 470	474957	450, 458	475950Z	464	476422Z	466
470146	466, 468, 470	473715Z	448, 452, 460	474958	450, 454, 458	475953Z	464	476450Z	463
470159	464, 466, 468, 470	473716Z	448	474971	452	475954Z	462	500023	324
470161	464, 466, 468, 470	473731Z	463, 466	474972	452	475955Z	463	500100	334
470281	464, 465, 468, 470	473732	465	474973	452	475956Z	463	500101	334
470284	464, 465, 468, 470	473734Z	465	474974	110, 452	475957Z	463	500102	334
470289	468, 470	473735Z	461, 465	474977	454	475971	100, 436	500103	334
470419	470	473736	461, 465	474978	454	475973	436	500104	334
470434	470	473737	466	474979	454	475975	436	500105	334
470439	461, 466, 468, 470	473742	466	474980	454	475976	436	500106	334
470441	461, 465, 468, 470	473744	463, 466	474981	454	475978	436	500108	334
471566	463, 466, 468, 470	473745	465	474989	452	475979	436, 441	500110	334
472409	461, 466	473772	466	474990	454	475980	436	500111	334
472610Z	435, 451, 456, 459	473773	466	474991	454	475982	436, 441	500113	334
472648Z	448, 460	473774Z	466, 468	474992	454	475984	436	500114	334
472734	466, 468, 470	473778	466	474993	454	475985	436, 441	500115	335
472736	466, 468	473783	461	474994	454	475987	436, 463	500116	335
		473783Z	466	475002	108, 110	475996	436	500117	335
		473785	461, 466	475112	466	475998	436, 441	500118	335
		473786	461, 466	475176Z	466	476000	436, 441	500120	335
		473787	466	475193Z	466	476001	436	500121	335
		473789	466	475194	466	476002	436	500122	335
		473790	466	475195	466	476003	436	500123	335
		473992	466	475219Z	466	476004	436	500130	335
		473999	466	475230Z	461	476032Z	464	500135	602
		474009	465	475231Z	466	476036Z	464	500140	334
		474010	465	475232	466	476059	436	500141	334
		474011Z	465	475265	450, 458	476068Z	461	500142	334
		474016	466	475271Z	466	476069	461	500143	334
		474021	466	475273	466	476070Z	461	500144	334
		474030Z	466	475274	466	476072	100, 436	500145	334

INDEX

BY PRODUCT NUMBERS

P/N	pg no.	P/N	pg no.	P/N	pg no.	P/N	pg no.	P/N	pg no.
500146	334	504310	146, 331	509301	147	516260	597	520124	390, 391, 393
500147	334	505101	145, 330	509302	147	516261	327, 597	520151Z	389, 390
500822	146, 331	505102	145, 330	509304	147	516264	597	520173	389, 391, 393
500823	146, 331	505104	145, 330	509307	147	516265	597	520191	389
500824	147	505107	145, 330	509310	147	516306	327, 597	520198	38, 40, 41
500825	147	505110	146, 331	51000700	577	516307	597	520199	38, 40,
500826	147	505201	145, 330	51001400	577	516315	597		388, 389, 390
500827	147	505202	145, 330	51002800	577	516318	597	520217	389, 390
500828	146, 331	505204	145, 330	51002900	577	516324	597	520244	388, 389
500829	146, 331	505207	145, 330	510044	148, 149	516328	327, 597	520265	389
500830	146, 331	505210	146, 331	51005000	351, 353,	516329	327, 597	520266	389
500831	165	505301	145, 330		584, 585	516345	597	520267	389
501101	146, 331	505302	145, 330	51005000Z	396, 398,	516442	598	520272	38, 40, 41,
501102	146, 331	505304	145, 330		410, 411	516477	148		389, 391, 393
501104	146, 331	505307	145, 330	510054	148, 149	516478	148, 149	520273	389
501107	146, 331	505310	146, 331	51006100	431	516479	148, 149	520276	389
501110	146, 331	506104	147	51006200	431	516480	148, 149	520277	389
501121	146, 331	506110	147	510064	148, 149	516482	148, 149	520281	389
501123	146, 331	506160	327, 597	51008500	543	516487	148, 149	520283	389, 390
501127	146, 331	506161	327, 597	51009500	586, 587	516488	165	520287	389
501131	146, 331	506162	325, 327, 597	510097	148, 149	516489	165	520296Z	389
501133	146, 331	506202	147	51012911	584	516664	126	520302	389
501201	146, 331	506210	147	51013011	432, 584	516699	124	520303	389
501204	146, 331	506300	327	51013111	584	516710	124	520304	389
501207	146, 331	506301	327	51013200	431	516728	124	520341	389
501210	146, 331	506302	327	51013500	432, 584	516736	124	520342	389
501231	146, 331	506304	327	510137	146, 331	516752	127	520343	389
501301	146, 331	506308	327	51013811	584	516963	124	520344	389
501302	146, 331	506309	327	510161	596	516971	124	520345	392
501304	146, 331	506310	327	51016200Z	572	516980	124	520389	572
501307	146, 331	506361	327	510166	339, 599, 600	516998	124	520403	392
50131100	577	506362	327	51021600	577	517149	168	520405	389
50131400	577	506363	327	51025700	577	517190	163	520498	389
50133100	577	506364	327	510327	327	517202	163	520499	389
50151400	577	506365	327	510332	327	517333	146, 331	520500	35, 38, 40
50151700	577	506370	327	510400	149	517337	146, 331	520538	37
50152300	577	506380	327	510543Z	602	517392	165	520540	37
502101	147	506381	327	510583Z	602	517405	165	520542	37
502102	147	506382	327	510592Z	602	517659	143	520543	37
502104	147	506404	147	510700	149	517704	143	520544	37
502107	147	506420	327	510702	148, 149	517931	133	520545	37
502110	147	506421	327	510800	148	517940	133	520546	38, 390
502201	147	506480	327	511002	148, 149	517958	130, 133	520547	38, 390
502204	147	506510	147	512149	601	518002	133	520548	38
502207	147	506520	327	513027	601	518007	146, 331	520549	38
502210	147	506521	327	513030	601	518053	133	520554	282
502301	147	506581	327	513031	601	518101	146, 331	520555	282
502302	147	507101	147	513036	601	518109	133	520556	282, 284
502304	147	507102	147	513330	600	518150	133	520588	38, 40, 282
502307	147	507104	147	513331	600	518168	133	520591	37
502310	147	507107	147	513332	600	518201	148, 149	520592	37
503000	146, 331	507110	147	513333	600	518202	147	520593	37
503002	146, 331	507201	147	513335	600	518213	148, 149	520594	38, 40
503101	146, 331	507202	147	513339	600	518301	148, 149	520595	38, 40,
503102	146, 331	507204	147	513340	600	518303	146, 331		282, 390
503107	146, 331	507207	147	513341	600	518387	140	520639	35, 38, 39
503110	146, 331	507210	147	513345	600	518408	148, 149	520645Z	391
503200	146, 331	507301	147	513346	600	518416	148, 149	520652	390
503210	146, 331	507302	147	513347	600	518483	165	520653	390
503301	146, 331	507304	147	513351	600	518539	163	520655	390
503304	146, 331	507307	147	513352	600	519000	149	520656	390
503307	146, 331	507310	147	51516100	351, 353, 411	519800	149	520657	390
503310	146, 331	508101	147	51516200	396, 398	519900	149	520658	389, 390
504007	145, 330	508102	147	516112Z	597	520001	391	520659	390
504010	146, 331	508107	147	516215	327, 597	520005	392	520660	38, 390
504101	145, 330	508201	147	516216	327, 597	520006	392	520670	38, 40
504102	145, 330	508204	147	516228	597	520008	391	520691	390
504104	145, 330	508207	147	516231	597	520010Z	393	520692	390
504107	145, 330	508301	147	516237	597	520062	389	520703	37
504110	146, 331	508302	147	516241	597	520077Z	389	520704	37
504201	145, 330	508307	147	516242	597	520078Z	389	520705	37
504202	145, 330	509101	147	516243	597	520079Z	389	520711	390
504204	145, 330	509102	147	516252Z	597	520080Z	389	520712	390
504301	145, 330	509104	147	516253	327, 597	520106	38, 40,	520714Z	390
504302	145, 330	509107	147	516254	327, 597		41, 389, 390	520722	390
504304	145, 330	509207	147	516258	327, 597	520108	389	520723	390
504307	145, 330	509210	147	516259	597	520119Z	389	520724	389, 390

INDEX

BY PRODUCT NUMBERS

P/N	pg no.	P/N	pg no.	P/N	pg no.	P/N	pg no.	P/N	pg no.
520734	38, 40, 282	521466Z	559	522038Z	31	522745	282	523459	564
520736	38, 40, 282	521467Z	559, 561	522039Z	31	522773	129	523460	564
520814Z	391	521468Z	559, 561	522041	31	522802	133	523461	564
520815Z	389	521480	123	522042	31	522896	129	523462	564
520818	38, 40	521485	38, 40, 41, 44	522043	31	522917	132	523463	564
520819	41	521495	282	522044	31	522978Z	388	523470Z	561
520820	41	521498	123, 286	522045	29, 32	522997Z	388	523476	285
520830Z	388, 389	521500	38, 393	522046	29, 32	523004Z	561	523478	287
520834Z	389	521501	123, 393	522047	29, 32	523009	283	523492Z	287, 561
520841Z	391	521502	393	522048	29, 32	523010	283	523493	287, 561
520856	41	521503	393	522051	388	523029Z	388	523494	287, 561
520857	41	521504	393	522052	165, 388	523034	564	523506Z	558
520859	41	521505	560, 562	522053Z	388	523035	564	523516Z	558
520872	563	521506	560	522054	388	523036	564	523522	558
520888	282	521507	560, 562	522056Z	388	523037	564	523525Z	561
520907	389	521508	560, 562	522061	127	523038	564	523526	558
520910	282	521509	560, 562	522062Z	388	523039	564	523527	558
520911	37, 282	521511	560, 561, 562	522079	127	523040	564	523529	29, 32
520912	37, 282	521512	560, 561, 562	522082	389	523041	564	523530	29, 32
520914	37	521513	562	522101	38, 40, 41, 389, 390, 391	523042	564	523533Z	561
520915	37	521514	562	522102Z	388	523049	29, 32	523537Z	561
520940Z	391	521515	562	522104	35, 38, 39, 40	523050	388	523539	558
520941Z	391	521516	391, 562	522109	282	523051	388	523540	558
520942Z	391	521519	123, 124	522116	127	523058	31	523541	558
520946Z	389, 390	521560	168	522132	127	523059	31	523557	31, 35, 388
520967	38, 40, 41	521590	42	522159	161	523080	148, 283	523575	293
520970	284	521592	42	522167	161	523081	283	523576	293
520971	284	521604	391	522186	559, 561	523098	148, 149, 564	523577	293
520972	284	521605	391	522187	559, 561	523100	283	523578	293
520973	284	521606	42	522191	163	523101	283	523579	293
520974	284	521622	286, 561	522204	168	523102	283	523580	293
520975	284	521632	42	522212	168	523103	282, 283	523581	120
520976	284	521633	282	522220	168	523104	283	523590	120
520977	284	521691	124	522247	152	523108	283	523602	120
520978	284	521720	167	522255	152	523109	283	523611	120
521005	284	521771	126	522280	153	523110	564	523623	30
521034Z	282	521789	126	522298	153	523111	564	523624	30
521051Z	389, 390	521797	126	522319	133	523112	564	523625	30
521057Z	389, 390	521800	126	522347Z	559, 561	523113	564	523668	30
521078Z	389	521814	558, 559	522352	39	523117	561	523669	30
521081Z	389, 390	521818	123	522353	39	523125	29	523724	30
521105	282	521826	123	522354	39	523126	29	523952	143
521109	222, 236	521834	123	522355	39	523127	29	523961	143
521142Z	389, 390	521842	123, 124	522384	560, 561, 562	523146	561	523979	143
521147	282	521852	393	522386	560, 562	523148	564	524365	120
521150	37	521853	393	522446	560, 561, 562	523186	165	524373	120
521151	284	521873Z	388	522464	39, 40	523216	283	524509	153
521171	282	521885	38, 40	522465	39, 40	523218	29, 32	524550	131
521176	31, 38	521895	560, 562	522472	286, 560	523228	561	524576	131
521177	31, 38	521903	29	522473	286, 560	523248	31	524605	131
521178	31, 38	521904	29	522474	286, 560	523291	120	524613	131
521179	31, 38	521905	29	522478Z	286, 560	523303	120	524664	131
521180	31, 38	521906	29	522480	286, 288, 560, 562	523311	120	524672	130
521218	389, 390	521907	29	522491	143	523317	33	524681	131
521227	389, 390	521908	29	522500	393	523320	120	529334	163
521228	389	521909	31	522501	393	523342Z	388	529342	163
521229	389	521910	31	522501	393	523345	388	53006300Z	396
521230	389	521911	31	522513Z	560, 562	523346	388	53108900Z	396, 410
521231	389	521912	31	522523	390	523355	388	538724	124
521232	390	521913	31	522524	390	523382	564	538767	120
521233	389, 390	521914	31	522525	390	523383	564	538775	123
521248Z	282	521915	31	522526	390	523385Z	558	538783	120
521319Z	559	521936Z	388	522538	142	523387Z	558	538791	123
521335Z	559, 561	521942	42	522577	287	523396Z	558	539461	127
521338Z	559	521968Z	388	522578	287	523397Z	558	539647	133
521342Z	559, 561	521977Z	388	522621	286	523402	285	539903	146
521348Z	559	521984Z	388	522622	286	523403	564	539911	146
521357	286	521993Z	388	522623	561	523404	563	540000	341
521377	282, 288	522004Z	388	522624	561	523410Z	563	540001	341
521378	286, 560	522005Z	388	522634	132	523413Z	563	540002	341
521397	286, 560	522009	561	522642	132	523423	564	540007	341
521404	126	522010Z	559, 561	522651	133	523434	31, 35, 38, 40, 388, 389, 390	540008	341
521412	126	522028	124	522669	133	523440Z	558	540009	341
521421	126	522033	31	522680Z	283	523441Z	558	540014	341
521439	126	522034	31	522685	133	523448	29	540015	341
521441	389, 390	522035	31	522711	562	523458	564	540016	341
521465Z	559	522036	31	522712	562			540021Z	341

INDEX

BY PRODUCT NUMBERS

P/N	pg no.	P/N	pg no.	P/N	pg no.	P/N	pg no.	P/N	pg no.
540022	341	542469	161	547006	133	554302	154	564261	148, 149
540023	341	542470	161	547508	127	554994	161	564279	148, 149
540028	341	542471	161	547671	163	555006	161	564691	137
540029	341	542472	161	547751	122	555145	165	564703	137
540030	341	542473	161	547760	122	555751	160	564711	137
540035	341	542474	161	547778	122	555794	168	564720	137
540036	341	542475	162	547786	122	555807	168	564738	137
540037	341	542476	162	547794	122	555815	168	564746	137
540042	341	542477	162	548164	122	556113	139	564754	137
540043	341	542478	162	548295	127	556121	139	564762	137
540044	341	542479	163	548308	122	556164	140	564771	137
540049	341	542480	162	548324	151	556316	136	564789	137
540050	341	542481	162	548332	151	556324	136	564797	137
540051	341	542482	162	548543	140	556332	136	564800	137
540053	341	542483	162	549087	127	556341	136	564818	137
540056	339	542484	161	549132	131	556551	168	564826	137
540057	339	542485	161	549141	131	556560	168	564834	137
540063	333	542486	163	549861	157	556586	151	564851	141
540064	333	542488	163	549870	151	556625	150	564869	141
540065	333	542489	163	550168	143	556631	150	564877	141
540146	131	542490	163	550272	127	556771	168	564885	141
540189	143	542491	163	55028400	396	556851	158	564893	141
540200	133	542492	163	55028500	396	556869	154	564957	164
540218	128	542493Z	163	550424	122	556877	154	564965	164
540234	132	542494Z	163	550563	148, 149	556885	154	565079	148
540242	130	542495Z	163	550571	148, 149	556893	154	565087	158
540251	132	542496	299	550627	151	556973	160	565116	156
540269	132	542496Z	153, 160, 163	550803	151	557159	158	565124	156
540285	132	542497Z	163	550846	128	557167	158	565159	159
540357	129	542498	299	551021	123, 124	558303	139	565407	118
540365	129	542498Z	153, 160, 163	551030	123, 124	558311	139	565415	118
540437	128	542499	299	551048	124	558320	136	565423	118
540971	131	542499Z	153, 160, 163	551056	124	558338	136	565431	118
541763	131	542500	299	551064	124	558346	136	565440	118
541819	155	542500Z	153, 160, 163	551081	120	558354	136	565458	118
541835	154	542504	161	551099	120	558362	136	565466	118
541931	124	542522	165	551937	131	558371	136	565474	119
541940	124	542525	165	552377	513, 515	558389	136	565482	119
541958	124	542528	164	552406	603	558397	136	565491	119
541974	120	542529	164	552472	603	558557	124	565503	119
541982	120	542530	164	552496	603	558565	124	565511	119
542000	341	542531	164	552511	333	558573	124	565520	119
542001	341	542536	165	552566	597	558637	124	565538	119
542002	341	542538	164	552612	338	558645	124	565546	122
542003	341	542539	164	552614	338	558653	120	565554	122
542038	333	542540	164	552622	338	558661	120	565562	122
542039	333	542541	164	552624	338	558733	122	565571	122
542044	339	542575	160	552892	139	559621	122	565589	122
542045	339	542576	160	552905	139	559656	140	565597	122
542068	197	542577	160	552913	143	559841	140	565600	122
542087	341	542578	160	553001	163	560001	181	565618	122
542090	14, 95	542579	160	553027	154	560003	181	565626	122
542142	339	542580	160	553035	154	561289	146	565634	122
542146	333	542581	160	553060	160	561705	122	565642	122
542402	340	542583	165	553078	160	561781	159	565651	122
542404	340	542584	165	553086	160	561799	159	565669	122
542405	340	542585	165	553107	161	561801	159	565677	122
542411	340	543259	131, 133	553174	152	561810	159	565837	164
542413	14, 340	543662	154	553182	161	561836	140	565845	164
542414	14, 340	544425	31, 35, 388	553191	143	561844	140	566821	134
542417	340	545100	340, 603	553289	143	561852	140	566944	125
542418	340	545101	340, 603	553297	157	562011	141	566952	125
542419	340	545103	340, 603	553318	160	562741	140	566961	125
542423	340	545182	154	553799	140	563401	151	566979	125
542424	340	545191	154	553801	140	563903	158	566987	125
542429	340	545246	154	554134	133	563911	151	566995	125
542458	165	545254	154	554193	155	563971	162	567031	170
542459	163	545326	155	554206	155	563989	162	567058	170
542460	161	545334	155	554214	155	563997	162	567066	170
542461	161	545609	128	554222	155	564017	156	567082	170
542462	161	545617	128	554231	155	564025	156	567091	170
542463	161	545633	128	554249	155	564041	150	567111	170
542464	161	545641	128	554257	155	564050	150	567120	170
542465	161	546062	163	554265	155	564228	164	567146	170
542466	161	546071	163	554273	154	564236	164	567154	170
542467	161	546089	163	554281	154	564244	148, 149	567171	170
542468	161	546994	133	554290	154	564252	148, 149	567189	170

INDEX

BY PRODUCT NUMBERS

P/N	pg no.	P/N	pg no.	P/N	pg no.	P/N	pg no.	P/N	pg no.
567200	170	571671	153, 160, 163	574944	141	577301	152	580065	594
567218	170	571786	140	574952	163	577310	152	580066	594
567234	170	571794	140	575234	140	577432	149	580067	591
567242	126	571807	140	576253	144	577512	135	580068	591
567251	133	571815	140	576309	140	577521	136	580127	154
567470	167	571823	140	576317	136	577539	139	580128	154
567488	167	571831	140	576325	136	577563	151	580129	154
567496	167	571840	135	576333	140	577571	151	580130	158
567525	167	571858	135	576472	141	577707	170	580131	157
567541	167	571866	135	576587	168	577715	170	580139	158
567550	167	571874	135	576595	168	577723	170	580141	159
567568	146	571882	135	576616	145	577731	170	580142	159
567576	146	571891	135	576624	145	577740	170	580150	157
567584	146	571903	136	576632	145	577758	170	580151	157
567592	146	571911	136	576641	145	577766	170	580165	312
567605	146	571920	136	576659	145	577774	170	580166	312
567613	146	571938	136	576667	145	577782	170	580167	312
567630	122	571946	136	576675	145	577791	170	580168	312
567656	122	571954	136	576683	145	577803	164	580169	312
567681	118	571962	140	576691	145	577897	155	580170	312
567701	119	571989	140	576704	145	577900	155	580171	312
567824	125	572228	165	576712	145	577918	155	580172	312
567832	125	572236	165	576721	145	577926	155	580173	312
567841	125	572244	165	576739	146	577934	131	580174	312
567859	125	572252	165	576747	146	577933	149	580175	312
569379	158	572800	164	576755	146	578005	149	580176	312
569467	138	572818	153, 160, 163	576763	146	578363	162	580177	312
569475	138	572826	163	576771	146	578371	157	580178	312
569483	138	572834	140	576780	146	578486	148, 149	580179	312
569491	138	572842	152	576798	147	578494	148, 149	580180	312
569504	138	572851	161	576801	147	578507	148, 149	580181	312
569512	138	572869	161	576819	147	578515	148, 149	580182	312
569521	138	572877	160	576827	147	579024	149	580183	312
569539	138	573394	146	576835	147	579219	147	580184	312
569555	120	573407	146	576843	147	579227	147	580185	312
569563	120	573415	146	576851	147	579235	147	580186	312
569571	120	573423	146	576860	147	579243	147	580187	312
569580	120	573431	146	576878	147	579251	147	580188	312
569598	120	573440	146	576886	147	579260	147	580189	312
569601	120	573458	146	576894	147	579278	147	580190	312
569678	122	573466	146	576907	147	579286	147	580191	312
569686	122	573474	146	576915	147	579294	147	580192	312
569694	122	573482	146	576923	147	579307	147	580193	312
569707	122	573491	146	576931	147	579315	147	580194	312
569715	122	573503	146	576940	147	579323	147	580301	156
569723	122	574303	122	576958	147	579331	147	580303	156
569731	122	574371	141	576966	147	579340	147	580600	158
569740	122	574400	165	576974	147	579358	147	580603	158
569838	119	574418	165	576982	147	579366	147	580610	158
569846	119	574426	138	576991	147	579374	147	580990	137
569854	119	574434	138	577002	147	579382	147	581001	137
569862	119	574442	138	577011	147	579391	147	581010	137
569871	119	574451	138	577029	147	579403	147	581028	137
569889	119	574469	162	577037	147	579411	147	581116	146
569897	119	574477	162	577045	147	579420	147	581124	146
569900	119	574485	162	577053	147	579438	147	581132	146
570004	482	574493	162	577061	147	579454	147	581141	146
570011	482	574696	121	577070	147	579471	147	581159	146
57006800	583	574709	121	577088	147	579500	147	581167	146
571330	148, 149	574717	121	577096	152	579526	147	581175	146
571348	146	574725	121	577109	161	579534	147	581183	146
571356	146	574733	121	577125	150	579542	147	581191	146
571364	146	574741	121	577133	150	579551	147	581204	146
571444	136	574750	121	577141	150	580000	315	581211	154
571452	136	574768	121	577150	150	580001B	314	581212	146
571461	136	574821	121	577176	161	580001G	314	581213	154
571479	136	574830	121	577184	161	580001T	314	581221	146, 154
571487	136	574848	121	577192	161	580003	315	581223	154
571495	136	574856	121	577205	161	580004	593	581233	154
571508	136	574864	121	577221	161	58001000	410	581239	145
571516	136	574872	121	577230	161	580036	316	581247	145
571524	136	574881	121	577248	161	580037	316	581255	145
571532	136	574899	121	577256	161	580038	314	581263	145
571541	136	574901	141	577264	161	580039	314	581271	145
571559	136	574910	141	577272	152	580040	314	581280	145
571655	153, 160, 163	574928	141	577281	152	580057	594	581298	145
571663	153, 160, 163	574936	141	577299	152	580058	594	581301	145

INDEX

BY PRODUCT NUMBERS

P/N	pg no.	P/N	pg no.	P/N	pg no.	P/N	pg no.	P/N	pg no.
581319	145	586531	119	590233	594	5CCSPHJ3-142	268	602158Z	175
581327	145	586540	119	59023300	410	5CCSPHK3-143	268	602165	174, 316
581335	145	586558	119	59023400	410	5CCSPHL3-144	268	602166	174, 316
581343	145	586701	159	59023500	410	5CCSPHM3-145	268	602167	174, 316
581351	146	59000400	96	59023700	410	5CSPHJ-142	268	602168	472, 473
581360	146	590005	590	590238	594	5CSPHJ3-142	268	602176	474, 475
581378	146	59000500	410	59023800	410	5CSPHK-143	268	602177	172
581386	146	59000600	410	590242	594	5CSPHK3-143	268	602178	172
581394	146	59000800	410	590245	594	5CSPHL3-144	268	602179	172
581407	146	590010	590	590246	594	5CSPHM3-145	268	602180	172
581411	154	59001000	410	590254	594	5P6R6D-209-INT	240	602181	172
581413	154	590011	590	590255	594	5P6R6D3-209-INT	241	602182	172
581421	154	59001100	410	590256	594	5P6R6E-210-INT	240	602183	172
581431	154	59001500	410	590267	313	5P6R6E3-210-INT	241	602184	172
581433	154	59001700	410	590268	313	5P6R6F-211-INT	240	602185	172
581466	149	59001800	410	590269	313	5P6R6F3-211-INT	241	602186	172
581482	131	590021	593	590270	313	5P6R6G-212-INT	240	602187	172
581554	144	59002100	410	590271	313	5P6R6G3-212-INT	241	602188	172
581571	169	59002300	410	590272	313	5P6R6H-213-INT	240	602189	172
581589	169	590024	593	590273	313	5P6R6H3-213-INT	241	602190	172
581642	169	59002400	410	590274	313	5PHK2E6C-100-INT	246	602191	172
581651	169	590025	593	590275	592	5PHK2E6D-101-INT	246	602192	172
581669	169	590026	593	590276	592	5PHK2E6E-102-INT	246	602193	172
581677	169	590027	593	590277	592	5PHK2E6F-103-INT	246	602194	172
581685	169	59002700	410	590278	592	5PHK2E6G-104-INT	246	602195	172
581693	169	590028	593	590279	592	60000-0706	583	602196	172
581706	169	590029	593	590281	592	600095	477	602197	172
581714	169	59002900	410	590283	592	600140	185, 480	602198	172
581722	169	590030	593	590284	592	600141	480	602199	172
581731	169	59003000	410	590285	592	60028300	182, 183, 184, 483, 484, 485, 486	602200	172
582001	155	590031	593	590286	592			602201	172
582010	155	590032	593	590287	592			602202	172
582211	154	59003500	409	590288	592	6010102	392	602203	172
582213	154	59003600	409	590289	313, 592	6010103	392	602204	172
582411	154	590041	590	590290	313, 592	6020006	584, 585	602205	172
582531	127	590042	590	590291	592	6020018Z	517, 519, 520, 521,	602206	172
582653	133	590046	590	590292	592			602207	172
582670	130, 133	590047	590	590293	592			602208	172
582688	130	590048	590	590294	592	602053	176, 316	602209	172
582696	130	590100	593	590295	592	602054	176, 316	602213	174
582910	130	590102Z	591	590296	592	602055	176, 316	602214	174
582928	130	590103Z	591	590301	592	602056	176, 316	602215	174
582936	130	590104Z	591	590302	592	602102	176, 316	602221	172
582952	131	590105Z	591	590303	592	602103	176, 316	602223	172
582987	130	590106Z	591	590305	592	602104	176, 316	602225	172
584819	169	590107Z	591	590324	592	602105	176, 316	602226	172
584827	169	590109Z	591	590334	592	602106	177	602227	172
584835	169	590118Z	591	590335	592	602107	177	602228	172
585003	159	590119Z	591	590336	592	602108	177	602229	172
585256	122	590121Z	591	590337	592	602130	175	602231	172
585264	122	590123	593	59052900	351, 353	602131	175	602236	172
585416	169	590127Z	317, 591	59052900Z	397, 398, 405, 411, 431	602132	175	602238	172
585424	169	590128Z	317, 591			602133	175	602239	172
585432	169	590129Z	317, 591	59053001Z	405	602134	175	602240	172
585651	130	590130Z	317, 591	59053500	351, 398	602135	175	602241	172
586312	133	590131Z	317, 591	59053600	351, 398	602136	177, 478	602242	172
586321	119	590132Z	317, 591	59053700	351, 397, 398, 405	602137	177, 478	602256	181
586339	119	590133Z	317, 591			602138	177, 478	602257	181
586347	119	590134Z	317, 591	59053800	351, 397, 398, 405	602139	172	606000100Z	558, 559, 561
586355	119	590135	591			602140	172		
586363	119	590147Z	591	591211	155	602141	172	61002-0012	550
586371	119	590150	590	591213	155	602142	172	618015	172
586380	119	590157	594	591221	155	602143	172	618016	172
586398	119	590158	594	591223	155	602144	172	618017	172
586401	118	590159	594	591231	155	602145	172	618018	172
586419	118	59016200	351, 397, 398, 405	591233	155	602146	172	618031	178
586427	118			591301	156	602147	172	618040	175, 316
586435	118	590174	594	591303	156	602148	172	618085	472
586443	118	590175	594	591500	159	602149	172	618090z	472, 473
586451	118	590176	594	591600	158	602150	172	618091z	472, 473
586460	118	590177	594	592201	155	602151	172	618092z	472, 473
586478	118	590178	594	592203	155	602152	172	618135z	472, 473
586486	119	590179	594	592211	155	602153	172	618136z	472, 473
586494	119	590180	594	592221	155	602154	172	618137z	472, 473
586507	119	590188	594	592223	155	602155	174	619312	431
586515	119	590189	594	592231	155	602156	174	619355z	472, 473
586523	119	590230	594	592233	155	602157	174		474, 475

INDEX

BY PRODUCT NUMBERS

P/N	pg no.	P/N	pg no.	P/N	pg no.	P/N	pg no.	P/N	pg no.
619355Z	476, 477, 480, 481	67152	279	77707-1461	110, 450, 458	79200400	483	85004211	596
619476	486	6870002	393	77707-3200L	458	79200700	483	85004213	596
619477	486	6CONDTEST	391	77707-3200N	458	79203100	14	85004700	599
619518	479	710009	351, 352, 353, 354, 355, 356	77707-3333L	458	79203200	484	85007200	596
619547	480	711006	351	77707-3333N	458	79204603	484	85007400Z	325, 596
619548	480	714000070	286, 561	77707-3400L	458	79205100	483	85007411	325, 596
619549	480	744000280	559	77707-3400N	458	79205200	483	85007413	325, 596
619550	480	744000290	559, 561	78210400	182	79205300	483	85007430	325, 596
619551	479	744000350	559	78210500	182	79205400	483	85007600	596
619552	479	744000360	559, 561	78210600	182	79205500	484	85007700	596
619553	482	754000310	559, 561	78210700	182	79205600	484	85008500	596
619555	485, 486	754000340	559, 561	78210701	182	79206000	484	85008600	596
619599Z	480	754000350	559, 561	78232400	182	79206055	183, 185	85008700	596
619601	480	754000410	559, 561	78232401	182	79206300	486	85008800	596
619617Z	480	754000440	559, 561	78232500	182	79206500	486	85009500	596
619792	480	755000350	559	78242102	183	79206600	184	85009600	599
619818Z	476	77707-0118	460	78242200	183	79206700	184	85009700	599
619864Z	476, 477	77703-0100	55, 241, 277, 587	78242202	183	79207900	484	85009800	599
619875Z	477	77703-0101	55, 67, 241, 277	78242300	183	79210400	474, 475, 476, 477, 481	85012800	596
619916Z	477	77704-0100	583	78243200	183	79211600Z	182, 483	85014200	596
619917Z	477	77705-0200	379	78243300	183	79212111	185, 480	85014500	596
619962	175, 177, 314, 316	77707-0001	435, 448, 460	78244200	183	79212165	185, 480	85014600	596
619963	175, 177, 314, 316	77707-0002	458	78244202	183	79212200	185	85014700	596
619993	176	77707-0008	450, 454, 458	78244300	183	79212211	185	85015100	596
619994	176	77707-0009	459	78310500	185	79212265	185	85015200	596
620000040Z	559, 561	77707-0010	435, 448, 460	78310600	185	79213100	185	85016600Z	596
620000130Z	559, 561	77707-0011	450, 454, 458	78310700	185	79213111	185	85017500	596
620004	184	77707-0013	459	78441100	179	79226300	483	85017600	599
6200039	176	77707-0014	448, 460	78447100	179	79300600	482	85017900	596
620040	176	77707-0016	448, 460	78448100	179	79301800	482	85018000	325, 596
620041	176	77707-0017	448, 460	78449100	179	79301900	482	85019000	577
620051	176	77707-0022	459	78451100	179	79304600Z	398, 411	85019100	577
620052	176	77707-0054	435, 451, 456, 459	78456300	179	79304700	351	8520031	390
620054	478	77707-0076	110	78457100	179	79401000	479	8520031Z	389, 390, 559, 561
620055	478	77707-0077	110	78458100	179	8023302	390, 391, 563	86001800	480
620056	478	77707-0086	110	78459100	179	8023304	389, 390, 391, 497, 522, 563	86006900Z	396, 410, 412
620057	478	77707-0087	110	78872600	480	8023306	390, 391, 497, 522, 563	86200500	339
620058	478	77707-0111	450, 458	78889900	480	8023308	390, 391	86201200	339
620080	176	77707-0112	458	78949100	179	8023310	390, 391	86201215	339
620081	176	77707-0113	450, 458	78949100	179	8023312	390, 391	86201300	339
620093	176	77707-0117	448, 460	79100100	180, 480	8023313	390, 391	86201400	339
620094	176	77707-0118	448	79100200	180, 480	81111700	596	86201500	339
620141	476, 477	77707-0119	448, 460	79101600Z	480	81111800	596	86202000	351, 353, 396, 398, 410, 411
620276	476, 477	77707-0120	448, 460	79102100	480	82400700	339	86204200	338
620314	177	77707-0202	450, 458	79102200	480	82400800	339	86204211	338
620400z	472, 473	77707-0203	450, 458	79102800Z	479	83000000	479	86204215	338
620400Z	476, 477	77707-0204	450, 458	79103502	479	84120100	324	86205100	340
620424	174	77707-0251	450, 458	79104800z	472, 473, 475	84120200	324	86205101	340
620425	174	77707-0252	458	79104800Z	476, 477, 480, 481	84420405	324	86205103	340
620426	174	77707-0253	450, 458	79107800	481	84420505	324	86300100	339
620428	174	77707-0254	450, 458	79108500Z	481	84420530	324	86300100	339
620429	174	77707-0255	458	79108600	476, 477, 481	84420605	324	86300130	339
620430	174	77707-0256	450, 458	79108600z	474, 475	84420630	324	86300500	396, 398
620457	174	77707-0411	450, 458	79108600z	474, 475	84420730	324	87200700	590
620459	175	77707-0421	458	79110600	180, 472, 473, 476, 477, 480	84420735	324	87200800	590
620460	175	77707-0431	450, 458	79110700	479	84420800	324	87201200	590
620463	175	77707-0441	450, 458	79111000	472, 473, 476, 477, 480	84420805	324	87201911	432
622000080Z	559, 561	77707-0451	458	79111600	474, 475, 476, 477, 481	84900300	324	87202211	432
62500-0101	548	77707-0461	450, 458	79113800Z	481	85000300	596	87202411	432
630016	485	77707-1411	110, 450, 458	79116600	479	85000400	325, 596	87300400Z	351, 353, 397, 398, 405, 411, 431
630017	485	77707-1421	110, 458	79116800	479	85000411	325, 596	8761047	391
630022	485	77707-1431	110, 458	79116900	479	85000600	596	9104800z	474
630023	485	77707-1441	110, 458	79118300Z	479	85001500	596	9142109	393
630025	485	77707-1451	110, 458	79123401	479	85001600	596	9321004	389, 393
630043	184	77707-1461	110, 458	79126900	479	85002300	325	9541143	392
630044	184	77707-1471	110, 458	79129900	511, 520, 537	85002400	596	960533	564
630047	485	77707-1481	110, 458	79137800	14, 539, 540	85002600	596	96734200	577
630056	485	77707-1491	110, 458	79200100	483	85002800	599	97014-4203KIT	541
634595	483	77707-1491	110, 458	79200200	483	85003200	599	98202600	483, 596
640046	476, 477	77707-1491	110, 458	79200255	182, 185	85003300	599	98202700	483, 596
640085Z	175	77707-1491	110, 458	79200300	483	85003400	599	98202900	596, 599
670040	486	77707-1491	110, 458			85003900	599	98203000	596, 599
670044	184, 486					85004000	599		
67150	279					85004200	596		

INDEX

BY PRODUCT NUMBERS

P/N	pg no.	P/N	pg no.	P/N	pg no.	P/N	pg no.	P/N	pg no.
R111316	189	R161160	202	R172087	301	R172540	53, 399	R18819	570
R111342	189	R161178	202	R172091	568	R172545	52	R18854	402
R111358	189	R161180	202	R172093	301	R172555WH	52	R18855	191, 570
R111366	189	R161182	202	R172134	567, 568, 569	R172560	53	R18902	570
R111386	189	R161185	202	R172204	493	R172562	53, 400	R191046	196
R111556	189	R161200	202	R172210	568	R172610DG	399	R191066	196
R111560	189	R161202	202	R172214	399, 488, 569	R172612	399	R191088	196
R111584	189	R161203	202	R172221Z	399, 402, 569	R172627	301	R191090	196
R111616	189	R161204	202	R172222Z	399, 402	R172628	570	R191091	196
R111626	189	R161216	202	R172223Z	399,	R172633	399	R191092	196
R111646	189	R161286	202		402, 488	R172638	399	R191095	196
R121026	192	R161302	202	R172224XZ	399,	R172639	399	R191101	196
R121106	192	R161566	204		402, 569	R172653	193, 488	R191104	196
R121126	192	R161568	204	R172225X	399	R172654	488	R191106	196
R121166	192	R161576	202	R172226X	399	R172660	400	R191116	196
R121186	192	R161586	202	R172226XF	399	R172661	400	R191128	208
R121196	192	R161590	202	R172235	570	R172662	53, 400	R191206	197
R121216	192	R161591	202	R172240Z	569	R172664	52	R191216	197
R121230	192	R161593	202	R172248Z	568	R172665X	400	R191256	197
R121232	192	R161594	202	R172253Z	568	R172666	52	R191296	197
R131016	195	R161596	202	R172256Z	567, 568	R172668	52	R191302	197
R131020	195	R161599	202	R172258	301	R172670	52	R191306	196
R131021	195	R161606	202	R172262Z	567	R172674	52	R191380	196
R131037	195	R161616	202	R172263Z	567, 570	R172679	399	R201108	206
R131046	195	R161626	202	R172264XL	567	R172682	400	R201112	206
R131048	195	R161634	202	R172264Z	567	R172684	399	R201126	207
R131066	195	R161642	202	R172269	567	R172686	400	R201146	208
R131074	195	R161644	202	R172272Z	567, 568, 570	R173213	351, 398	R201156	208
R131075	195	R161666	202	R172274Z	567, 568	R173214	351, 398	R201276	207
R131076	195	R161676	202	R172276	301, 570	R173215	351, 397,	R201286	207
R131078	195	R170055	407	R172283	301		398, 405	R201296	207
R131079	195	R170070	399	R172288	301, 566,	R173216	351, 397,	R201298	207
R131106	195	R170072	399		568, 569		398, 405	R201302	492
R131146	195	R171016	14	R172305	301, 466,	R173217	351, 397,	R201350	206
R131147	195	R1710161	300		468, 470		398, 405	R201388	206
R131148A	195	R1710221	300	R172313	570	R173428	399	R201392	206
R131155	195	R171026	300	R172316	301	R173431	400	R201398	206
R131204	195	R1710561	300	R172317	568	R173434	399, 400	R201408	490, 492
R131256A	195	R171060	191	R172319Z	568	R173435	399	R201409	492
R131316	195	R1710661	300	R172321	568	R173572	396	R201420	492
R131360	195	R1710701	300	R172323	301, 566	R173573	396	R201421	492
R131371	195	R171074	191	R172324	301, 570	R173576	396	R201426	492
R131388	195	R171086	191	R172324NS	301, 567	R173578	396	R201446	492
R131398	195	R171090	191	R172327	399, 400	R175009	569	R201451	491, 492
R131404	195	R1710961	300	R172351	209, 301	R175013	567	R201456	490, 492
R131410	195	R171097Z	568	R172367	301	R175251	569	R201458	490, 491
R131418	195	R171099	301	R172370	399, 400	R178671	351	R201466	492
R131442	195	R171130	191	R172374	399, 569	R178672	351	R201470	492
R131448	195	R1712151	300	R172375	399, 569	R181016	190	R201472	492
R141036	205	R1712181	300	R172385	399	R181026	190	R201476	489, 490,
R141046	205	R1712301	300	R172385D	569	R181046	190		491, 492
R141076	205	R1712401	300	R172386	399	R181086	190	R201486	492
R141086	205	R171919	569	R172387	399	R181096	190	R201490	492
R141106	205	R172008W	566,	R172388	399	R181156	190	R201492	492
R141200	205		567, 568	R172389	399	R181200	190	R201496	490, 491, 492
R151076	201	R172009Z	566, 567,	R172392	399, 493,	R181206	190	R201498	492
R151082	201		568, 570		567, 570	R181216	190	R201500	491, 492
R151083	201	R172020	566, 570	R172393	399, 493, 570	R181226	190	R201526	492
R151186	201	R172023Z	566	R172399	402	R181268	190	R201536	492
R151190	201	R172032Z	559, 561, 566	R172400	402	R181269	190	R201540	489, 492
R151196	201	R172033Z	559, 561, 566	R172401	402	R181416	190	R201556	492
R151201	201	R172034Z	566	R172406	402	R181436	190	R201557Z	490, 491, 492
R151226	203	R172036Z	209, 301,	R172421	399	R181446	190	R201558	492
R151246	201		399, 402, 559,	R172428	399	R181486	190	R201566	490, 491
R151248	201		561, 566, 567,	R172435	569	R18608	488	R201606	491
R151276	203		568, 569	R172439	569	R18648	488	R201626	491
R151306	203	R172037	301, 566, 568	R172451	402	R18650	488	R201696	489
R151716	203	R172048B	568	R172452	53, 399	R18651	488	R201716	208, 489
R161004	202	R172050	493	R172457	402	R18654	488	R201718	208, 489
R161018	202	R172052	566, 567, 568	R172502J	52	R18655	488	R201756	491, 492
R161025	202	R172060Z	566	R172503	52	R18656	488	R201766	492
R161046	202	R172061Z	566	R172503C	52	R18680	488	R201776	490, 491, 492
R161056	202	R172061ZB	566	R172504B	52	R18682	488	R201778	490, 491, 492
R161094	202	R172078	570	R172505	52	R18706Z	566	R201780	491, 492
R161116	202	R172080Z	301, 566	R172505C	52	R18729B	570	R211036	193
R161126	202	R172082	301, 569	R172523	52	R18754	301	R211046	193
R161150	202	R172086Z	567, 568	R172535	52	R18761	566	R211084	193

INDEX

BY PRODUCT NUMBERS

P/N	pg no.	P/N	pg no.	P/N	pg no.	P/N	pg no.	P/N	pg no.
R211086	193	R36009	493	SL1DW	343	U178-920PZ	424, 436,	WC37-386P	426
R211087	193	R36013	493	SL2D	343		448, 460,	WC37-503P	598
R211100	208	R36016	493	SL2DW	343		533, 538,	WC78-40T	580
R211206	488	R36017	493	SR200HD	108		540, 556, 581	WC78-84P	426
R211216	488	R36018	493	SR200LP	108	U212-252DS	426	WC8-126Z	403, 426
R211256	193, 488	R36019	493	SR200NA	108	U212-68T	549		
R211260	488	R36020	493	SR333HD	108	U30-22SS	546, 547	X	
R211286	193	R36021	493	SR333LP	108	U30-542SSZ	533, 538	XFM1BK	393
R211406	193	R36022	493	SR333NA	108	U30-60ZP	549	XFM20	393
R211426	193	R36023	493	SR400HD	108	U30-64SS	556	XFM3BK	393
R211432	193	R36024	493	SR400LP	108	U30-692SS	533, 538		
R211436	193	R36025	493	SR400NA	108	U30-72SS	546, 547,	Z	
R211516	193, 488	R36026	493	SRCF20160E1160	13		549	ZBR12160	552, 553
R211518	193, 488	R36027	493	SRCF20190E1160	13	U30-73ZP	546,	ZBR12170	552, 553
R211536	488	R36028	493	SRCF20190E1260	13		547, 549	ZBR12200	552, 553
R211600	488	R36030Z	493	SRCF20190E13X0	13	U30-74SS	520, 526,	ZBR12210	552, 553
R220006	209	R36031	493	SRCF20220E1160	13		533, 534, 538,	ZBR12270	552, 553
R220008	209	R36033	493	SRPF20220E1260	13		543, 555, 582	ZBR26910	553
R22001Z	491, 492	R36046	493	SRPLD0500E1162	10	U30-75SS	538	ZBR39320	552, 553
R22006	197	R38004	194	SRPLD0500E1262	10	U30-77SS	551	ZBR39330	552, 553
R22007	197	R38006	194	SRPLM1000E1162	9	U30-918SS	525, 526,	ZBR39340	553
R22010Z	209, 493	R38008	194	SRPLM1000E1262	9		533, 534	ZBR39350	553
R22011	209, 493	R38010	194	SRPLM1000E13X2	9	U30-919SS	538	ZBR39360	553
R22025	197	R38011	194	SRPLM1500E1162	9	U30-922SS	525, 526	ZBR43810	553
R22054	197	R38012	194	SRPLM1500E1262	9	U36-105SS	598	ZBR43920	552, 553
R221026	190	R38013AZ	194, 596	SRPLM1500E13X0	9	U36-38ZP	546, 547, 551	ZBR46760	276
R221030	190	R38013B	194, 596	SRPLM2000E1260	9	U37-3/	411		
R221036	197	R38014	194	SWB	343	U37-3/8P	353		
R221042	197	R38016	194	SWB1	343	U43-11SS	556		
R221046	197	R38024	194	SWN	343	U43-12SS	498, 499,		
R221054	197	R38030	194				507, 523,		
R221056	190	R500012	189	T			524, 529,		
R221126	197	R500013	189	T10B	604		538, 541, 548		
R22113	400	R500070	196	T10BK	604	U43-12ZP	546, 547, 549		
R221136	197	R500072	196	T10DG	604	U43-13SS	548		
R221156	197	RCS1	38, 40,	T10G	604	U43-21SS	526, 533, 538		
R221166	197		389, 390, 392	T10W	604	U43-22SS	533		
R221218	209	RLYHTR	389, 390, 392	T16B	604	U43-41SSZ	526,		
R221220	209	RLYLX	392	T16BK	604		533, 556		
R221222	209	RLYLX3HP	392	T16DG	604	U43-62SS	538		
R221224	209	RLYLXD	392	T16G	604	U65-42A	546, 547, 549		
R221270	191, 205	RLYNC	392	T16W	604	U78-57DT	548, 550, 551		
R221298	209	RLYSC	392	T24	604	U78-57SSS	546, 547		
R221300	209	RLYSC3HP	392	T26	604	U78-59D	548, 550		
R221400	209	RYALX	392	T29	604	U78-60ZPS	448, 460		
R230200	198			T40BBE	342	U78-820P	57, 65,		
R230300	198	S		T40BBK	342		404, 414, 598		
R230400	198	S04757	548	T40BDG	342	U78-820P3	352, 354		
R230500	198	S11207	548	T40BG	342	U78-858P	598		
R230800	198	S16767	548	T40BW	342	U78-920PZ	525, 526		
R230900	198	S22351	548	T40FB	342	U78-941ZPV	546,		
R231100	198	S22353	548	T40FBK	342		547, 549		
R231200	198	S22356	548	T40FDG	342	U9-105	550		
R231400	198	S22357	548	T40FG	342	U9-171	550, 551		
R231700	198	S23488	548	T40FNB	342	U9-226Z	352, 435, 448		
R232600	198	S23566	548	T40FNBK	342	U9-228AZ	525,		
R233700	198	S23619	548	T40FNDBG	342		526, 533		
R233800	198	S28574	548	T40FNG	342	U9-229Z	556		
R233900	198	S32014	548	T40FNW	342	U9-265	546, 547, 549		
R234000	198	S32015	548	T40FW	342	U9-266	460		
R234100	198	S7D75	68	T6EXT	163, 604	U9-285	556		
R234200	198	S7M120	54	TMLRX	393	U9-359	526		
R234500	198	S7M400	54	TS5L	393	U9-359Z	404, 525,		
R234700	198	S7MD60	70				533, 556		
R234800	198	S7MD72	70	U		U9-362	526, 580, 581		
R234900	198	S7S50	79	U109-433SS	546,	U9-362Z	403, 416, 525		
R235100	198	S8D110	68		547, 549	U9-366	598		
R235200	198	S8M150	54	U11-196PSZ	403,	U9-369	582		
R235300	198	S8M500	54		525, 526	U9-373Z	538		
R270422	570	S8S70	79	U11-197P	110	U9-374Z	525, 526,		
R270484	569	SCREW	390	U11-200PSZ	397, 403,		533, 538		
R270531	569	SK	601		405, 431,	U9-46	550, 551		
R33017	402	SK5V	393	U17-568	533, 538	W			
R36002	493	SKB	601	U178-920P	441, 534	WC2-8P	598		
R36003	493	SKC	601			WC30-84	586, 587		
R36004	493	SKR	601			WC36-22Z	525, 526,		
R36006	493	SKTU	601				533, 534		

RULE THE POOL



WITH OUR MOST
BRILLIANT POOL LIGHTING
INNOVATION YET.

INTELLIBRITE® ARCHITECTURAL SERIES POOL AND SPA LIGHTING

Innovative, energy-efficient LED technology minimizes hot spots, stripes, glare and dark areas for an evenly lit pool to wow your customers.



60% MORE BRIGHTNESS*

DIVE INTO INTELLIBRITE

pentair.com/intellibrithub

*Compared to Pentair IntelliBrite 56 Color LED Pool Light in white color mode only. The IntelliBrite Architectural Series delivers higher lumen output depending on color mode, ranging from 28%-141% brighter, while energy efficiency improvements range from 17-58% based on color mode.

All indicated Pentair trademarks and logos are property of Pentair. Third-party registered and unregistered trademarks and logos are the property of their respective owners. ©2023 Pentair. All Rights Reserved. Pentair.com

AUSTRALIA

InterContinental Hayman Island Resort
Four Seasons Hotel Sydney

October 15–21, 2024



Path to Paradise

2024 PARTNERS INCENTIVE PROGRAM

We value your partnership and ongoing commitment to Pentair. For our top-performing partners, we are pleased to present the 2024 Path to Paradise travel opportunities in Australia and Jamaica.

Email rewards@pentair.com with any questions regarding our rewards program. If you are not yet enrolled in the 2024 Partners Incentive Program, visit www.pentairpartners.com and click on **Enroll Now** to sign up.

Make your plans now to join Pentair and top-performing Path to Paradise partners. We look forward to celebrating our shared successes together in 2024!



© 2024 Pentair. All Rights Reserved.
02/2024 Part # P2-938

JAMAICA

Hyatt Zilara Rose Hall
Hyatt Ziva Rose Hall

December 3–8, 2024